

Areamaster™ Generation 2 LED Luminaire

Floodlight for Hazardous Locations

NEC/CEC:

Class I, Division 2, Groups A, B, C, D
 Class I, Zone 2 Group IIC
 Class II, Division 1 and 2, Groups E, F, G
 Class III
 Zone 20 and 21 Group IIIC

NEC/CEC:

Zone 22, Group IIIB
 Simultaneous Exposure
 Marine Outside Type (Salt Water) for USA ONLY
 Wet Locations
 Type 3R, 4, 4X, IP66/67

Applications

- Enclosed and gasketed fixtures suitable for use in:
 - A wide range of industrial, chemical processing and other areas where flammable gases and vapors are present, for example
 - Oil and Gas Refineries
 - Petrochemical Plants
 - Foundries
 - Drilling Rigs
 - Pulp and Paper Mills
 - Food and Beverage Processing Facilities
 - Loading Docks
 - Power Plants
 - Water and Wastewater Treatment Facilities
 - Other areas where corrosive, wet, dirty and tough environments are a problem
- IP66/IP67, Type 4X, marine and wet locations
- Locations requiring dependable, consistent lighting in extreme hot/cold temperature environments. -40 °C to +65 °C (-40 °F to +149 °F) ambient temperature range

Features

- Three lumen outputs provide up to 19,500 lumens.

Nominal Lumens ①	Wattage (W)	Efficacy (lpw)	HID Equivalent	Model Number
9,500	70	136	175W-250W	AMLGL6
15,000	110	136	250W-400W	AMLGL7
19,500	150	130	400W-750W	AMLGL8

① Nominal lumen value for 5000K, detailed lumen information provided in tables.

- Choice of optics for optimal light distribution in a variety of applications.
- Separate field wiring compartment with screw terminal block for easy and secure connection (can accept UL/CSA 26-10AWG).
- Two ¾" NPT entries provided.
- Yoke bracket is designed to accommodate traditional Areamaster brackets and slipfitters for easy retrofit.
- Choice of color temperature (CCT); 5000K cool white or 3000K warm white.
- Rugged and compact housing with superior thermal design translates to long luminaire life.
- Heavy duty, high temperature silicone rubber gaskets.
- Thermal shock and impact resistant clear or frosted glass lens.
- Standard 6KV surge protection.
- Captive fasteners secure one piece lens.
- Field replaceable LED driver and lens cover.

Options

- Improved safety cable design with multiple retention points, purchase separately
- Guard and visor available, purchase separately
- Slip-fitters and mounting brackets available for easy pole or wall mounting
- 10KV Surge Protection



Floodlight

Standard Materials

- Housing and lens door: copperfree (4/10 of 1% max.) aluminum
- Gaskets: silicone rubber
- Yoke: zinc plated HR steel
- Bolts: stainless steel
- Close up plugs: (1) aluminum provided
- Guard and safety cable: stainless steel
- Visor: Aluminum

Standard Finishes

- Housing, lens cover, visor and yoke mount: architectural bronze polyester

Related Products

- Round Tapered Steel Poles
- Hinged Steel Poled
- Square Tapered Steel Poles
- Square Steel Poles
- Floodlight Mounting Brackets

Areamaster™ Generation 2 LED Luminaire

Floodlight for Hazardous Locations

NEC/CEC:
 Class I, Division 2, Groups A, B, C, D
 Class I, Zone 2 Group IIC
 Class II, Division 1 and 2, Groups E, F, G
 Class III
 Zone 20 and 21 Group IIIC

NEC/CEC:
 Zone 22, Group IIIB
 Simultaneous Exposure
 Marine Outside Type (Salt Water) for USA ONLY
 Wet Locations
 Type 3R, 4, 4X, IP66/67

NEC/CEC Certifications and Compliances

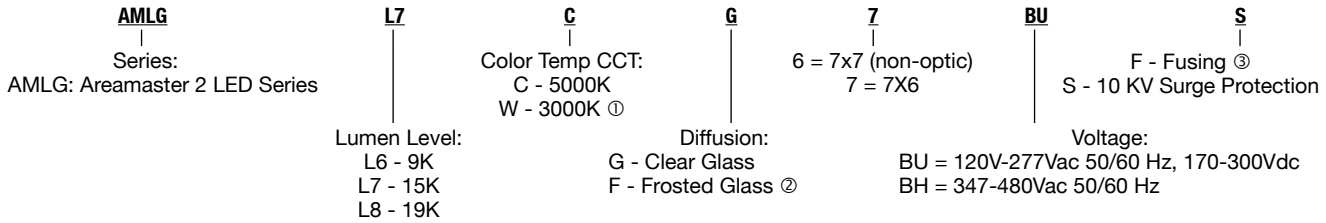
- UL Standards:
 - UL844, Luminaires for Use in Hazardous Locations
 - UL1598, Luminaires
 - UL1598A, Luminaires for Installation on Marine Vessels
 - UL 8750, LED Equipment for Use in Lighting Products
- CSA Standards:
 - CSA C22.2 No. 250.0, Luminaires
 - CSA C22.2 No. 137, Luminaires for Use in Hazardous Locations
- cCSAus: 164460, Certificate Number: 70073611

DesignLights™ Consortium (for the following models)

- All models pending.



Order using catalog numbering guides below or select catalog number from tables on following pages.



Lumen Output Tables ④:

Lumen Output for Clear Glass Lens			
	AMLGL6	AMLGL7	AMLGL8
NEMA 7x7 (Non Optic), 5000K CCT, CRI 70	9,900	15,300	19,900
NEMA 7x6, 3000K CCT, CRI 80	8,100	11,900	15,500
NEMA 7x6, 5000K CCT, CRI 70	9,000	14,200	18,400

Lumen Output for Frosted Glass Lens			
	AMLGL6	AMLGL7	AMLGL8
NEMA 7x7 (Non Optic), 5000K CCT	8,000	12,600	16,300

① 3000K CCT (warm) is not available with NEMA 7x7 light pattern

② Frosted Glass is only available with NEMA 7x7 light pattern

③ Use of fuse voids Marine rating.

④ All lumen values are typical (tolerance +/-10%).

Areamaster™ Generation 2 LED Luminaire



Floodlight for Hazardous Locations

NEC/CEC:
 Class I, Division 2, Groups A, B, C, D
 Class I, Zone 2 Group IIC
 Class II, Division 1 and 2, Groups E, F, G
 Class III
 Zone 20 and 21 Group IIIC

NEC/CEC:
 Zone 22, Group IIIB
 Simultaneous Exposure
 Marine Outside Type (Salt Water) for USA ONLY
 Wet Locations
 Type 3R, 4, 4X, IP66/67

Electrical Ratings ①

Voltage Suffix	Voltage (V)	Input Power (Watts)	Input Current (Amps)	Power Factor (PF)	Total Harmonic Distortion (THD)	Model Number	
BU	120 Vac	73	0.62	>.9	<20%	AMLGL6	
	277 Vac	71	0.27				
	170 Vdc	69	0.41	N/A	N/A		
	300 Vdc	68	0.23				
BH	347 Vac	71	0.21	>.9	<20%		
	480 Vac	71	0.16				
BU	120 Vac	111	0.94	>.9	<20%		AMLGL7
	277 Vac	106	0.43				
	170 Vdc	113	0.67	N/A	N/A		
	300 Vdc	111	0.37				
BH	347 Vac	115	0.33	>.9	<20%		
	480 Vac	115	0.25				
BU	120 Vac	154	1.30	>.9	<20%	AMLGL8	
	277 Vac	146	0.56				
	170 Vdc	156	0.92	N/A	N/A		
	300 Vdc	152	0.51				
BH	347 Vac	150	0.43	>.9	<20%		
	480 Vac	149	0.32				

Luminaire Category	Image	Frontal Projected Area (FPA) ft ²	Drag Coefficient (DC)	Effective Projected Area (EPA) = FPA*DC ft ²
90° to Ground-Worst Case Mounting		1.52	1.20	1.82
45° to Ground-Standard Mounting		1.07	1.2	1.28

Surge Protection: Integral 6KV surge protection. Option for up to 10KV surge protection. (cCSAus only).
 ① All ratings are typical.

Areamaster™ Generation 2 LED Luminaire

Floodlight for Hazardous Locations

NEC/CEC:

Class I, Division 2, Groups A, B, C, D
 Class I, Zone 2 Group IIC
 Class II, Division 1 and 2, Groups E, F, G
 Class III
 Zone 20 and 21 Group IIIC

NEC/CEC:

Zone 22, Group IIIB
 Simultaneous Exposure
 Marine Outside Type (Salt Water) for USA ONLY
 Wet Locations
 Type 3R, 4, 4X, IP66/67

Temperature Codes

Lamp		Gas				Dust				Model Number
Line Voltage	Type	Ambient Temperature °C (°F)	Supply Wire Temperature °C (°F)	Class I, Division 2 ① Groups A, B, C, D	Class I, Zone 2 Group IIC	Class II, Division 1 Groups E, F, G	Zone 20, Group IIIC	Class I Division 2 and Class 2 Division I		
120-277 Vac/ 170-300Vdc	LED	40 (104)	90 (194)	T5	T5	T6	T6	T4A	AMLGL6	
		55 (131)	90 (194)	T4A	T4	T6	T6	T4A		
		65 (149)	90 (194)	T4A	T4	T6	T6	T4		
347-480 Vac	LED	40 (104)	90 (194)	T5	T5	T6	T6	T4A		
		55 (131)	90 (194)	T4A	T4	T6	T6	T4A		
		65 (149)	90 (194)	T4A	T4	T6	T6	T4		
120-277 Vac/ 170-300Vdc	LED	40 (104)	90 (194)	T4	T4	T6	T6	T4	AMLGL7	
		55 (131)	90 (194)	T3C	T3	T6	T6	T3C		
		65 (149)	90 (194)	T3C	T3	T5	T5	T3C		
347-480 Vac	LED	40 (104)	90 (194)	T4	T4	T6	T6	T4		
		55 (131)	90 (194)	T3C	T3	T6	T6	T3C		
		65 (149)	90 (194)	T3C	T3	T5	T5	T3C		
120-277 Vac/ 170-300Vdc	LED	40 (104)	90 (194)	T3C	T3	T6	T6	T3C	AMLGL8	
		55 (131)	90 (194)	T3B	T3	T5	T5	T3A		
		65 (149)	90 (194)	T3A	T3	T5	T5	T3A		
347-480 Vac	LED	40 (104)	90 (194)	T3C	T3	T6	T6	T3C		
		55 (131)	90 (194)	T3B	T3	T5	T5	T3A		
		65 (149)	90 (194)	T3A	T3	T5	T5	T3A		

Ambient Temperature Range: -40 °C to +65 °C (-40 °F to +149 °F)

“T” Numbers Represent the Maximum Internal Temperature ① or Maximum Surface Temperature ②

“T” #	NEC/CEC															
	T1	350	325	T2	T2A	T2B	T2C	T2D	T3	T3A	T3B	T3C	T4	T4A	T5	T6
Temp. Range °C (°F)	351-450 (664-842)	326-350 (619-662)	301-325 (574-617)	281-300 (538-572)	261-280 (502-536)	231-260 (448-500)	216-230 (421-446)	201-215 (394-419)	181-200 (358-392)	166-180 (331-356)	161-165 (322-329)	136-160 (277-320)	121-135 (250-275)	101-120 (214-248)	86-100 (187-212)	85 (185)
“T” #	ATEX/IECEx															
	T1	T2		T3			T4	T5	T6							
Temp. Range °C (°F)	301-450 (547-842)	201-300 (394-572)		136-200 (277-392)			101-135 (214-275)	86-100 (187-212)	85 (185)							

① T numbers represent the maximum internal temperature for Class I, Division 2 and Class I, Zone 2 locations designated by the NEC.
 ② T numbers represent the maximum surface temperature under a dust blanket for Class II, Division 1 and 2 as designated by the NEC.

Areamaster™ Generation 2 LED Luminaire

Floodlight for Hazardous Locations

NEC/CEC:

Class I, Division 2, Groups A, B, C, D
 Class I, Zone 2 Group IIC
 Class II, Division 1 and 2, Groups E, F, G
 Class III
 Zone 20 and 21 Group IIIC

NEC/CEC:

Zone 22, Group IIIB
 Simultaneous Exposure
 Marine Outside Type (Salt Water) for USA ONLY
 Wet Locations
 Type 3R, 4, 4X, IP66/67

CCT	Lumen Output	Wattage	Efficacy (lm/W)	Optical Pattern	Catalog Number ①
Clear Glass					
120-277 Vac/170-300 Vdc					
5000K (cool white)	9900	70	141	NEMA 7x7 (150°x150°)	AMLGL6CG6BU
5000K (cool white)	9000	70	129	NEMA 7x6 (136°x113°)	AMLGL6CG7BU
3000K (warm white)	8100	70	116	NEMA 7x6 (136°x113°)	AMLGL6WG7BU
5000K (cool white)	15300	111	138	NEMA 7x7 (150°x150°)	AMLGL7CG6BU
5000K (cool white)	14200	111	128	NEMA 7x6 (136°x113°)	AMLGL7CG7BU
3000K (warm white)	11900	111	107	NEMA 7x6 (136°x113°)	AMLGL7WG7BU
5000K (cool white)	19900	158	126	NEMA 7x7 (150°x150°)	AMLGL8CG6BU
5000K (cool white)	18400	158	116	NEMA 7x6 (136°x113°)	AMLGL8CG7BU
3000K (warm white)	15500	158	98	NEMA 7x6 (136°x113°)	AMLGL8WG7BU
347-480 Vac					
5000K (cool white)	9900	71	139	NEMA 7x7 (150°x150°)	AMLGL6CG6BH
5000K (cool white)	9000	71	127	NEMA 7x6 (136°x113°)	AMLGL6CG7BH
3000K (warm white)	8100	71	114	NEMA 7x6 (136°x113°)	AMLGL6WG7BH
5000K (cool white)	15300	115	133	NEMA 7x7 (150°x150°)	AMLGL7CG6BH
5000K (cool white)	14200	115	123	NEMA 7x6 (136°x113°)	AMLGL7CG7BH
3000K (warm white)	11900	109	109	NEMA 7x6 (136°x113°)	AMLGL7WG7BH
5000K (cool white)	19900	157	127	NEMA 7x7 (150°x150°)	AMLGL8CG6BH
5000K (cool white)	18400	157	117	NEMA 7x6 (136°x113°)	AMLGL8CG7BH
3000K (warm white)	15500	150	103	NEMA 7x6 (136°x113°)	AMLGL8WG7BH
Frosted Glass					
120-277 Vac/170-300 Vdc					
5000K (cool white)	8100	70	116	NEMA 7x7 (150°x150°)	AMLGL6CF6BU
5000K (cool white)	12700	111	114	NEMA 7x7 (150°x150°)	AMLGL7CF6BU
5000K (cool white)	16500	158	104	NEMA 7x7 (150°x150°)	AMLGL8CF6BU
347-480 Vac					
5000K (cool white)	8100	71	114	NEMA 7x7 (150°x150°)	AMLGL6CF6BH
5000K (cool white)	12700	115	110	NEMA 7x7 (150°x150°)	AMLGL7CF6BH
5000K (cool white)	16500	157	105	NEMA 7x7 (150x150)	AMLGL8CF6BH



① For Fusing option, add suffix **F** to end of part number, example AMLGL8CG6BUF.
 For 10KV surge protection, add suffix **S** to end of part number, example AMLGL7CG7BUS.
 For both Fusing and 10KV surge, add suffix **FS** to end of part number, example AMLGL8CG7BUFS.

Areamaster™ Generation 2 LED Luminaire

Floodlight for Hazardous Locations

NEC/CEC:
 Class I, Division 2, Groups A, B, C, D
 Class I, Zone 2 Group IIC
 Class II, Division 1 and 2, Groups E, F, G
 Class III
 Zone 20 and 21 Group IIIC

NEC/CEC:
 Zone 22, Group IIIB
 Simultaneous Exposure
 Marine Outside Type (Salt Water) for USA ONLY
 Wet Locations
 Type 3R, 4, 4X, IP66/67

Accessories and Replacement Parts

	Description	Catalog Number
Crossarm Mounting Bracket		
	Has 180° horizontal adjustment — degree marked. Facilitates mounting floodlight to crossarm or other flat surface, or to G-AM-8-WB. Includes floodlight yoke bolts. Malleable iron, zinc plated, chromate sealed, architectural bronze polyester finish.	G-AM-8-CA
Pipe or Wall Mount Bracket		
	Used with G-AM-8-CA. Clamps to 1" to 2-1/2" pipe, vertical or horizontal, or mounts on flat surfaces. Includes U-bolt and crossarm bracket bolts. Malleable iron, zinc plated, chromate sealed, with architectural bronze polyester finish.	G-AM-8-WB
		
Crossarm Mounting Bracket (G-AM-8-CA) used with Pipe or Wall Mount Bracket (G-AM-8-WB).		
Poletop Slip-Fitter		
	Slip-fits 1-1/2" or 2" pipe size poletop tenons. Includes floodlight yoke bolts, 3 locking bolts, and cord grip. Body is malleable iron-zinc plated, chromate sealed, with cast aluminum cap. Assembly has architectural bronze polyester finish.	G-SF20
	Slip-fits 1" or 1-1/2" pipe size poletop tenons. Includes floodlight yoke bolts, 3 locking bolts, and cord grip. Body is malleable iron-zinc plated, chromate sealed, with cast aluminum cap. Assembly has architectural bronze polyester finish.	AMLEDSF1
Poletop Slip-Fitter		
	Slip-fits 2" or 2-1/2" poletop tenons. Includes floodlight yoke bolts, 3 locking bolts, and cord grip. Malleable iron, zinc plated, chromate sealed, with architectural bronze polyester finish.	G-AM-8-SF

Appleton®

LED/FLOODLIGHTS: NEC/CEC ENCLOSED AND GASKETED


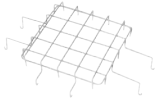



Areamaster™ Generation 2 LED Luminaire

Floodlight for Hazardous Locations

NEC/CEC:
 Class I, Division 2, Groups A, B, C, D
 Class I, Zone 2 Group IIC
 Class II, Division 1 and 2, Groups E, F, G
 Class III
 Zone 20 and 21 Group IIIC

NEC/CEC:
 Zone 22, Group IIIB
 Simultaneous Exposure
 Marine Outside Type (Salt Water) for USA ONLY
 Wet Locations
 Type 3R, 4, 4X, IP66/67

Accessories and Replacement Parts

	Description	Catalog Number
Wall Mount Bracket		
	Used with G-AM-8-SF and GSF-20 to provide a wall mounting option. Galvanized Steel.	GPSWB6GAL
Wire Guard		
	Stainless steel.	LGGUARD
Safety Cable		
	Stainless steel.	LEDSC
Visor		
	Steel with architectural bronze polyester finish. For Dark Sky Friendly design.	AMLGV
Portable Floodlight Base		
	Portable floodlight base for temporary lighting applications. To be used with wire guard. Malleable iron with architectural bronze polyester finish.	G-AM-PFB

Areamaster™ Generation 2 LED Luminaire

Floodlight for Hazardous Locations

NEC/CEC:
 Class I, Division 2, Groups A, B, C, D
 Class I, Zone 2 Group IIC
 Class II, Division 1 and 2, Groups E, F, G
 Class III
 Zone 20 and 21 Group IIIC

NEC/CEC:
 Zone 22, Group IIIB
 Simultaneous Exposure
 Marine Outside Type (Salt Water) for USA ONLY
 Wet Locations
 Type 3R, 4, 4X, IP66/67

Replacement Covers



AMLGCLEAR
AMLGFROST

	Voltage	Driver Wattage	Constant Current Setting	Luminaire Model	CCT	Catalog Number
Replacement Drivers						
	BU	100 watt	410mA	AMLGL6C, AMLGL6W	5K and 3K	APMS100C105UD41
	BH					APMS100C105HD41
	BU	150 watt	650mA	AMLGL7W	3K	APMS150C105UD65
	BH					APMS150C105HD65
	BU	150 watt	680mA	AMLGL7C	5k	APMS150C105UD68
	BH					APMS150C105HD68
	BU	150 watt	890mA	AMLGL8W	3K	APMS150C105UD89
	BH					APMS150C105HD89
	BU	150 watt	930mA	AMLGL8C	5k	APMS150C105UD93
	BH					APMS150C105HD93

Areamaster Generation 2 Accessory Weights

Description	Weight in kg (lbs)
AMLGL6, AMLGL7, AMLGL8 Luminaires	9.8 (21.6)
Yoke Bracket	1.41 (3.1)
Visor	0.2 (0.4)
Guard	0.2 (0.4)
Safety Cable	0.2 (0.4)
Crossarm Mounting Bracket G-AM-8-CA	1.4 (3.1)
Pipe or Wall Mount Bracket G-AM-8-WB	2.9 (6.4)
Poletop Slip-Fitter GSF20	1.4 (3.1)
Poletop Slip-Fitter AMLEDSF1	2.4 (5.3)
Poletop Slip-Fitter GAM8SF	-
-	-

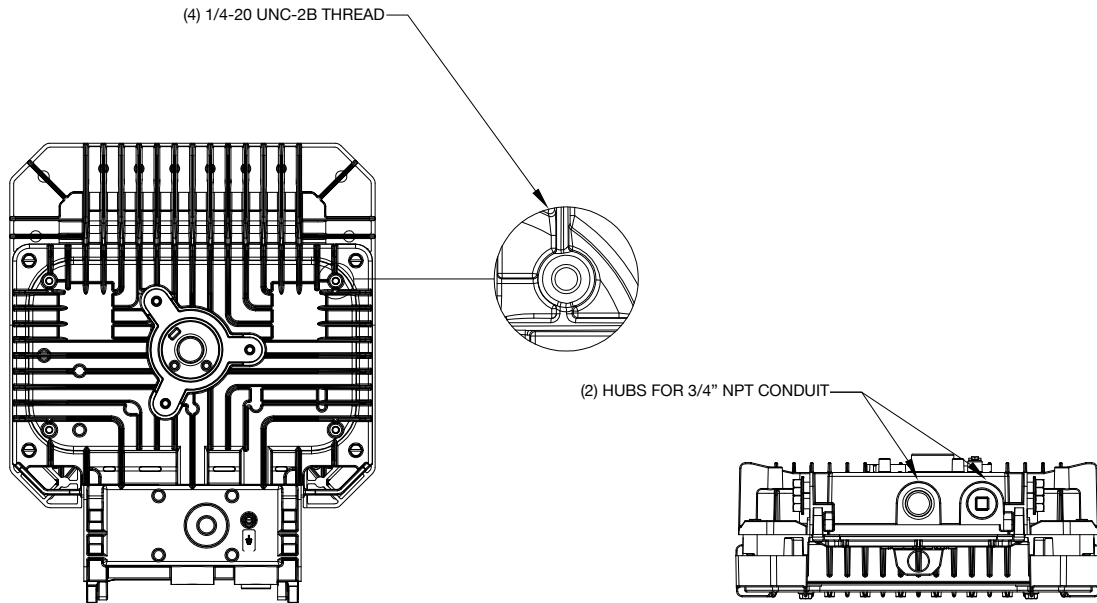
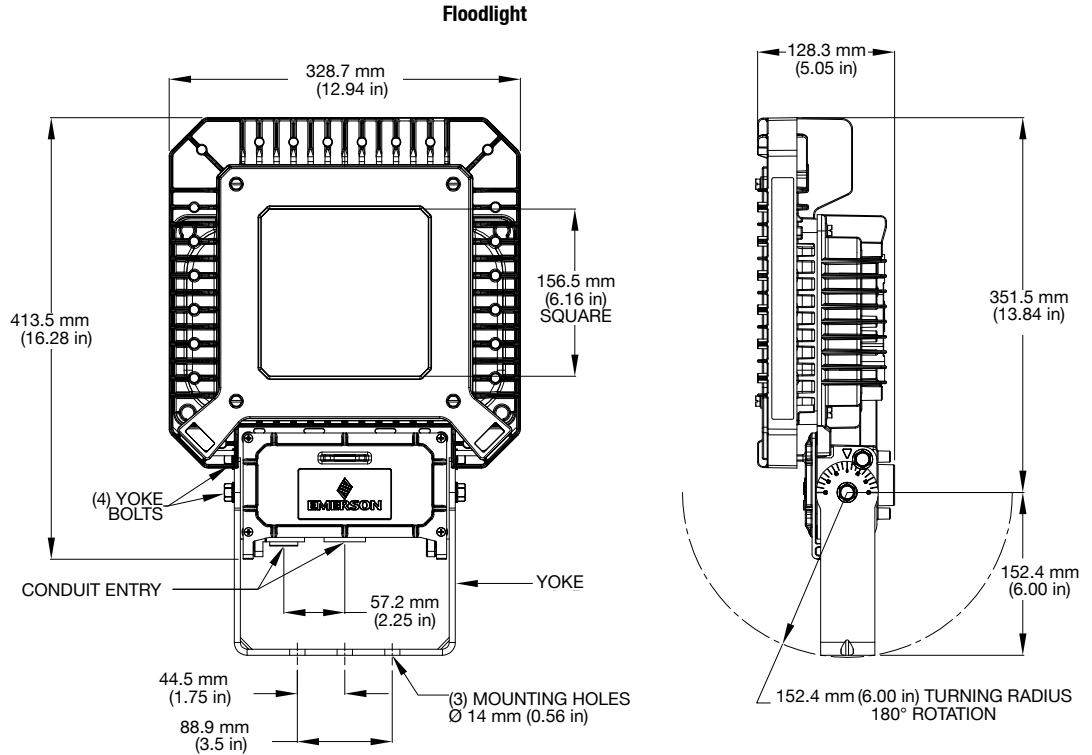
Areamaster™ Generation 2 LED Luminaire

Floodlight for Hazardous Locations

NEC/CEC:
 Class I, Division 2, Groups A, B, C, D
 Class I, Zone 2 Group IIC
 Class II, Division 1 and 2, Groups E, F, G
 Class III
 Zone 20 and 21 Group IIIC

NEC/CEC:
 Zone 22, Group IIIB
 Simultaneous Exposure
 Marine Outside Type (Salt Water) for USA ONLY
 Wet Locations
 Type 3R, 4, 4X, IP66/67

Dimensions in Millimeters (Inches)



Appleton

LED/FLOODLIGHTS: NEC/CEC ENCLOSED AND GASKETED

Areamaster™ Generation 2 LED Luminaire

Floodlight for Hazardous Locations

NEC/CEC:
 Class I, Division 2, Groups A, B, C, D
 Class I, Zone 2 Group IIC
 Class II, Division 1 and 2, Groups E, F, G
 Class III
 Zone 20 and 21 Group IIIC

NEC/CEC:
 Zone 22, Group IIIB
 Simultaneous Exposure
 Marine Outside Type (Salt Water) for USA ONLY
 Wet Locations
 Type 3R, 4, 4X, IP66/67

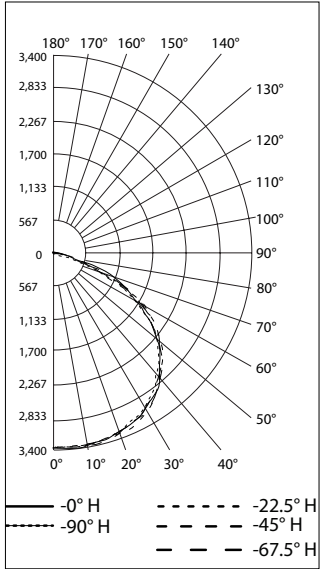
Photometric Data – DATA SHOWN IS ABSOLUTE

NEMA 7x7, Clear Glass

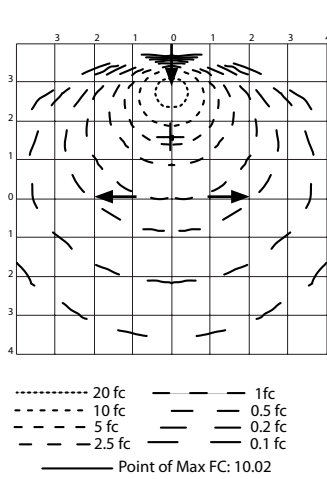
REPORT NUMBER: **AMLGL6CG6BU**

Luminaire Lumens 9,964

POLAR CANDELA DISTRIBUTION



ISOFOOT CANDLE PLOT AT 45°



FLOOD SUMMARY

	Efficiency	Lumens	Horizontal Spread	Vertical Spread
Field (10%)	98.5%	9,817.4	150	148
Beam (50%)	82.2%	8,196.6	117.3	116.2
Total	100%	9,964.0		

Tilt Angle– 45 Degree LLF–0.9

Mounting Height	Maximum Point	Forward Throw Distance (ft)			
		0.5 Fc	1 Fc	2Fc	5Fc
20	1.51	45	35	24	11
30	0.68	47	36	21	N/A
40	0.38	50	35	N/A	N/A

Tilt Angle– 45 Degree LLF–0.9

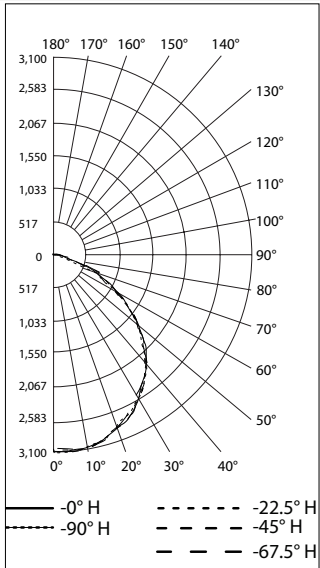
Mounting Height	Side-to-Side Distance (ft)			
	0.5 Fc	1 Fc	2Fc	5Fc
20	66	50	38	16
30	78	50	28	N/A
40	70	40	N/A	N/A

NEMA 7x7, Frosted Glass

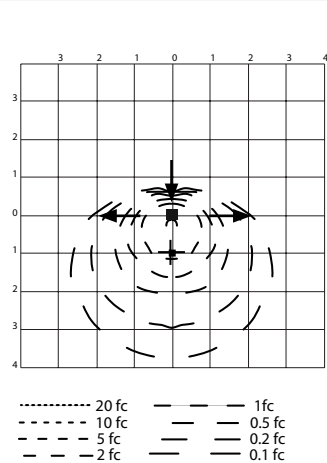
REPORT NUMBER: **AMLGL6CF6BU**

Luminaire Lumens 8,115

POLAR CANDELA DISTRIBUTION



ISOFOOT CANDLE PLOT AT 45°



FLOOD SUMMARY

	Efficiency	Lumens	Horizontal Spread	Vertical Spread
Field (10%)	98.1%	7,961.7	155.3	151.5
Beam (50%)	71.5%	5,804.1	105.8	105.5
Total	100%	8,112.2		

Tilt Angle– 45 Degree LLF–0.9

Mounting Height	Maximum Point	Forward Throw Distance (ft)			
		0.5 Fc	1 Fc	2Fc	5Fc
20	2.49	42	33	24	8
30	1.10	45	32	15	N/A
40	0.62	48	25	N/A	N/A

Tilt Angle– 45 Degree LLF–0.9

Mounting Height	Side-to-Side Distance (ft)			
	0.5 Fc	1 Fc	2Fc	5Fc
20	60	44	30	4
30	64	34	20	N/A
40	56	30	N/A	N/A

Areamaster™ Generation 2 LED Luminaire

Floodlight for Hazardous Locations

NEC/CEC:
 Class I, Division 2, Groups A, B, C, D
 Class I, Zone 2 Group IIC
 Class II, Division 1 and 2, Groups E, F, G
 Class III
 Zone 20 and 21 Group IIIC

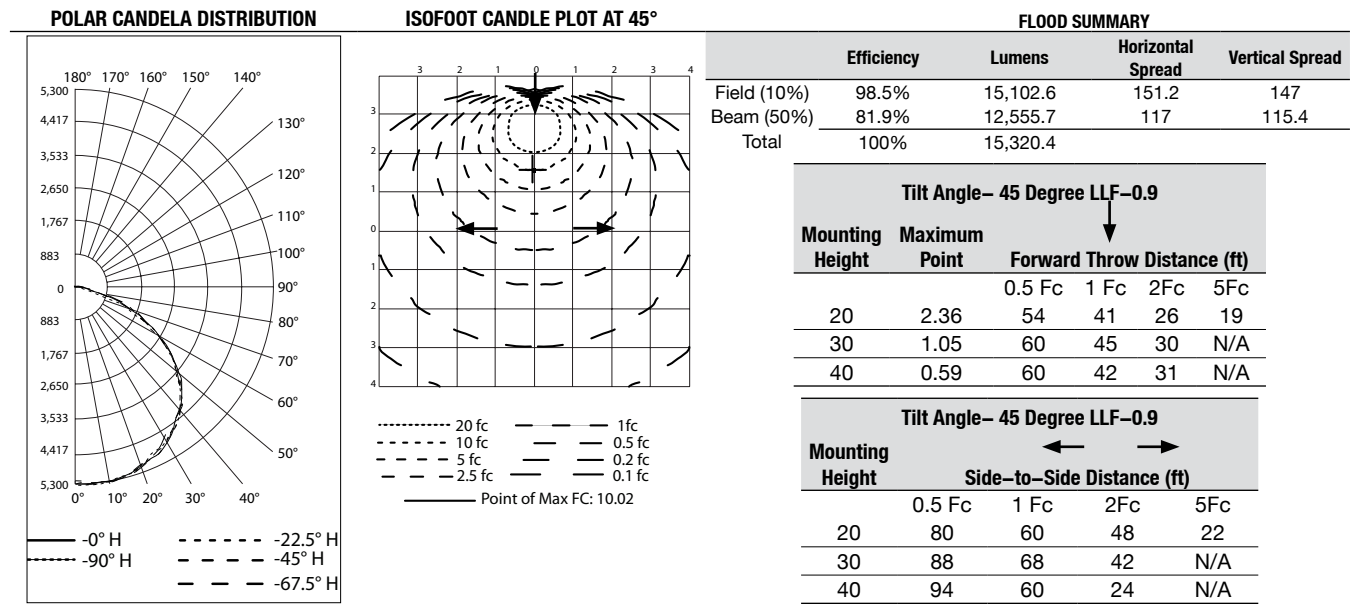
NEC/CEC:
 Zone 22, Group IIIB
 Simultaneous Exposure
 Marine Outside Type (Salt Water) for USA ONLY
 Wet Locations
 Type 3R, 4, 4X, IP66/67

Photometric Data — DATA SHOWN IS ABSOLUTE

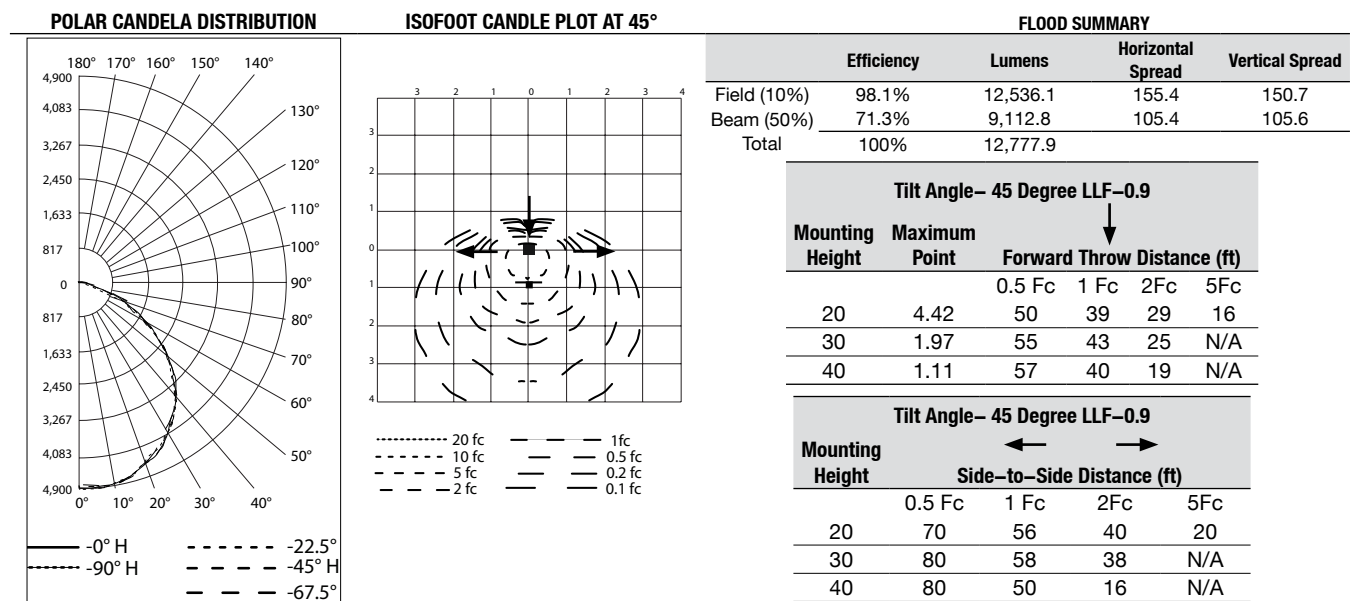
NEMA 7x7, Clear Glass

REPORT NUMBER: **AMLGL7CG6BU**

Luminaire Lumens 15,320



NEMA 7x7, Frosted Glass
 REPORT NUMBER: **AMLGL7CF6BU**
 Luminaire Lumens 12,782



Areamaster™ Generation 2 LED Luminaire

Floodlight for Hazardous Locations

NEC/CEC:
 Class I, Division 2, Groups A, B, C, D
 Class I, Zone 2 Group IIC
 Class II, Division 1 and 2, Groups E, F, G
 Class III
 Zone 20 and 21 Group IIIC

NEC/CEC:
 Zone 22, Group IIIB
 Simultaneous Exposure
 Marine Outside Type (Salt Water) for USA ONLY
 Wet Locations
 Type 3R, 4, 4X, IP66/67

Photometric Data – DATA SHOWN IS ABSOLUTE

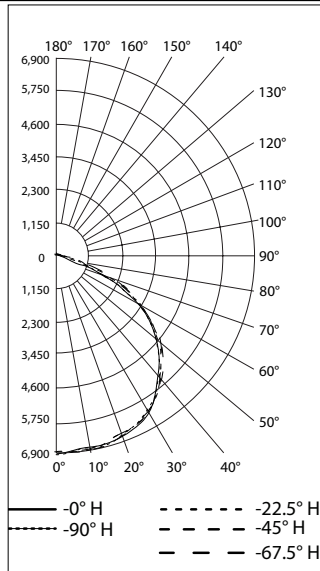
NEMA 7x7, Clear Glass
 REPORT NUMBER: AMLGL8CG6BU

Luminaire Lumens 19,895

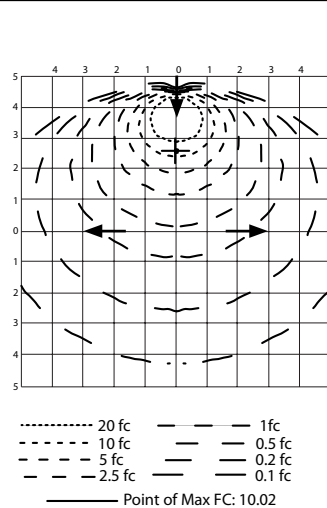
Appleton

LED/FLOODLIGHTS: NEC/CEC ENCLOSED AND GASKETED

POLAR CANDELA DISTRIBUTION



ISOFOOT CANDLE PLOT AT 45°



FLOOD SUMMARY

	Efficiency	Lumens	Horizontal Spread	Vertical Spread
Field (10%)	98.6%	19,614.8	151	146.8
Beam (50%)	81.7%	16,267.6	116.7	115.2
Total	100%	19,895.4		

Tilt Angle– 45 Degree LLF–0.9

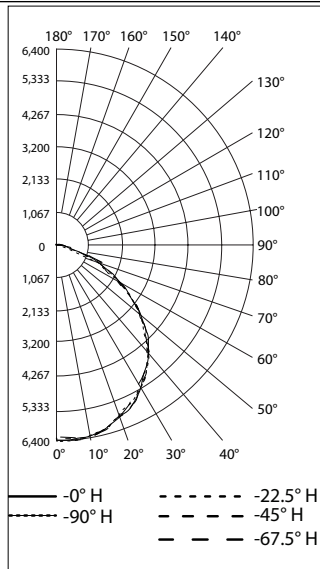
Mounting Height	Maximum Point	Forward Throw Distance (ft)			
		0.5 Fc	1 Fc	2Fc	5Fc
20	2.91	59	45	35	22
30	1.29	63	51	33	12
40	0.73	70	50	30	N/A

Tilt Angle– 45 Degree LLF–0.9

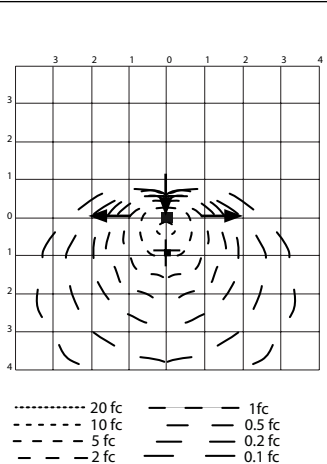
Mounting Height	Side-to-Side Distance (ft)			
	0.5 Fc	1 Fc	2Fc	5Fc
20	84	70	52	32
30	96	72	54	15
40	104	72	48	N/A

NEMA 7x7, Frosted Glass
 REPORT NUMBER: AMLGL8CF6BU
 Luminaire Lumens 16,503

POLAR CANDELA DISTRIBUTION



ISOFOOT CANDLE PLOT AT 45°



FLOOD SUMMARY

	Efficiency	Lumens	Horizontal Spread	Vertical Spread
Field (10%)	98.1%	16,189.8	155.3	150.7
Beam (50%)	71.3%	11,766.7	105.2	105.5
Total	100%	16,498.6		

Tilt Angle– 45 Degree LLF–0.9

Mounting Height	Maximum Point	Forward Throw Distance (ft)			
		0.5 Fc	1 Fc	2Fc	5Fc
20	5.76	55	43	32	20
30	2.56	31	45	31	N/A
40	1.43	62	49	29	N/A

Tilt Angle– 45 Degree LLF–0.9

Mounting Height	Side-to-Side Distance (ft)			
	0.5 Fc	1 Fc	2Fc	5Fc
20	78	60	44	22
30	88	62	34	N/A
40	98	58	38	N/A

Areamaster™ Generation 2 LED Luminaire

Floodlight for Hazardous Locations

NEC/CEC:
 Class I, Division 2, Groups A, B, C, D
 Class I, Zone 2 Group IIC
 Class II, Division 1 and 2, Groups E, F, G
 Class III
 Zone 20 and 21 Group IIIC

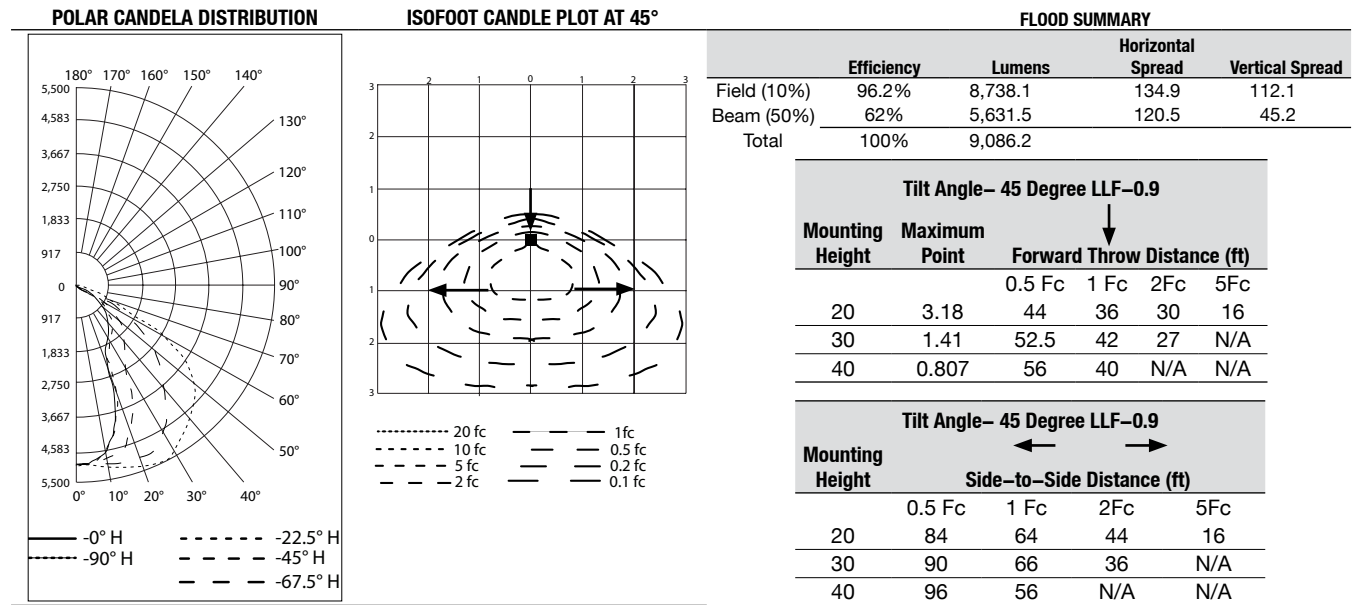
NEC/CEC:
 Zone 22, Group IIIB
 Simultaneous Exposure
 Marine Outside Type (Salt Water) for USA ONLY
 Wet Locations
 Type 3R, 4, 4X, IP66/67

Photometric Data – DATA SHOWN IS ABSOLUTE

NEMA 7x6, Clear Glass

REPORT NUMBER: **AMLGL6CG7BU**

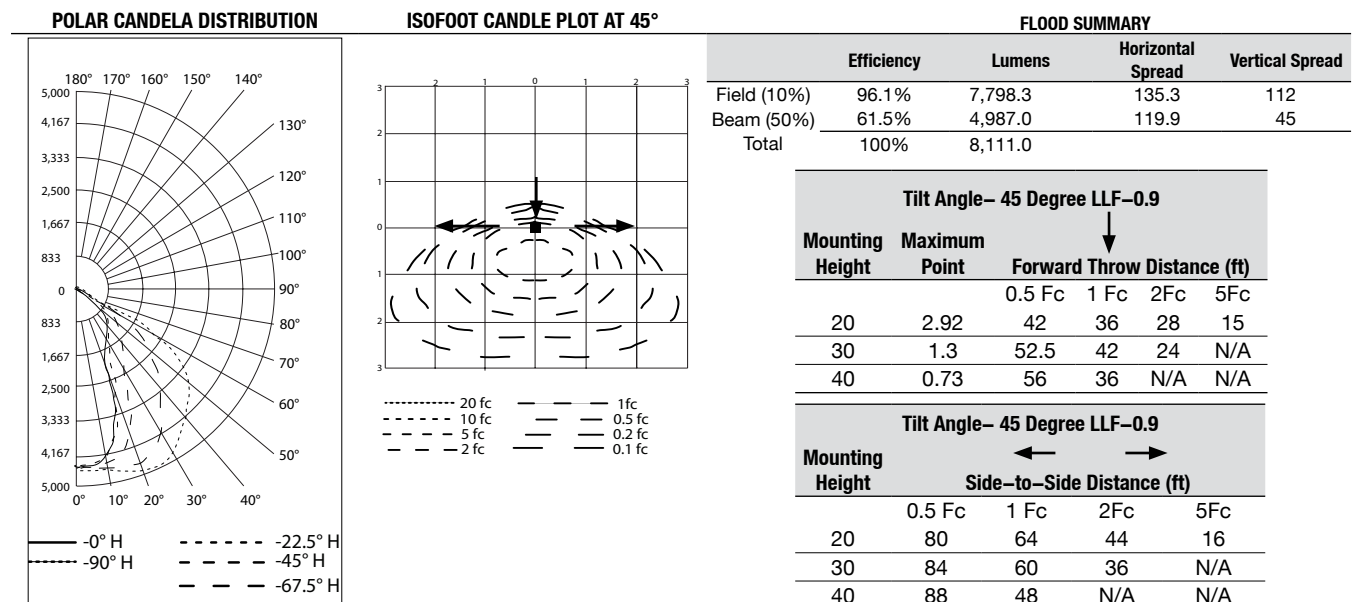
Luminaire Lumens 9,086



NEMA 7x6, Clear Glass

REPORT NUMBER: **AMLGL6WG7BU**

Luminaire Lumens 8,111



Areamaster™ Generation 2 LED Luminaire

Floodlight for Hazardous Locations

NEC/CEC:
 Class I, Division 2, Groups A, B, C, D
 Class I, Zone 2 Group IIC
 Class II, Division 1 and 2, Groups E, F, G
 Class III
 Zone 20 and 21 Group IIIC

NEC/CEC:
 Zone 22, Group IIIB
 Simultaneous Exposure
 Marine Outside Type (Salt Water) for USA ONLY
 Wet Locations
 Type 3R, 4, 4X, IP66/67

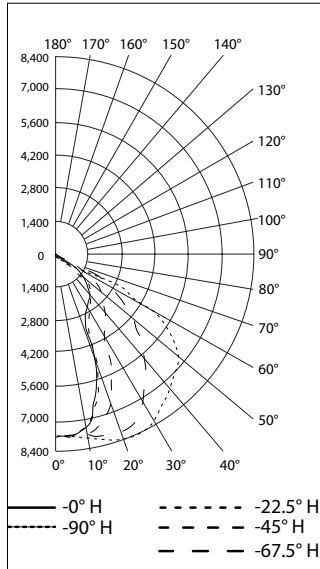
Photometric Data – DATA SHOWN IS ABSOLUTE

NEMA 7x6, Clear Glass

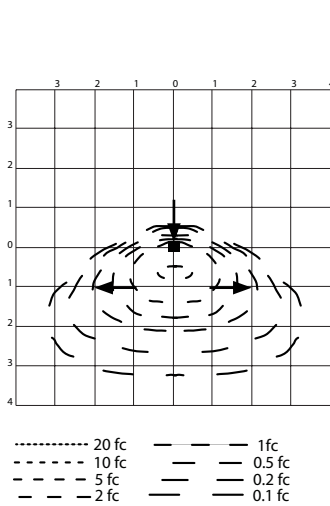
REPORT NUMBER: AMLGL7CG7BU

Luminaire Lumens 14,205

POLAR CANDELA DISTRIBUTION



ISOFOOT CANDLE PLOT AT 45°



FLOOD SUMMARY

	Efficiency	Lumens	Horizontal Spread	Vertical Spread
Field (10%)	96.3%	13,678.5	135.3	112.5
Beam (50%)	62.6%	8,887.6	120.7	45.7
Total	100%	14,205.3		

Tilt Angle– 45 Degree LLF–0.9

Mounting Height	Maximum Point	Forward Throw Distance (ft)			
		0.5 Fc	1 Fc	2Fc	5Fc
20	4.91	48	40	35	24
30	2.22	60	45	37.5	n/a
40	1.25	64	52	24	N/A

Tilt Angle– 45 Degree LLF–0.9

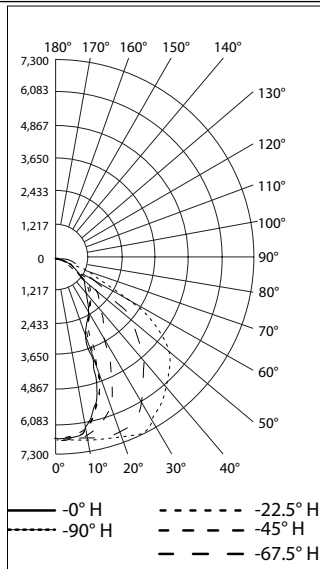
Mounting Height	Side-to-Side Distance (ft)			
	0.5 Fc	1 Fc	2Fc	5Fc
20	96	80	60	36
30	108	90	54	N/A
40	120	80	32	N/A

NEMA 7x6, Clear Glass

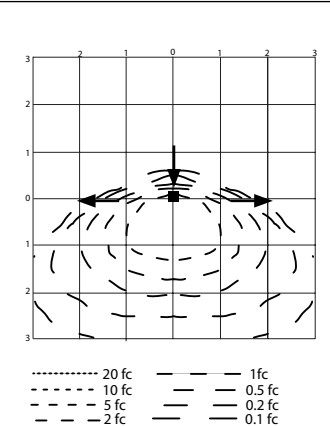
REPORT NUMBER: AMLGL7WG7BU

Luminaire Lumens 11,971

POLAR CANDELA DISTRIBUTION



ISOFOOT CANDLE PLOT AT 45°



FLOOD SUMMARY

	Efficiency	Lumens	Horizontal Spread	Vertical Spread
Field (10%)	96.1%	11,503.9	135.2	112
Beam (50%)	62%	7,424.4	119.8	45.2
Total	100%	11,971.9		

Tilt Angle– 45 Degree LLF–0.9

Mounting Height	Maximum Point	Forward Throw Distance (ft)			
		0.5 Fc	1 Fc	2Fc	5Fc
20	4.3	46	40	32	20
30	1.91	57	45	33	N/A
40	1.07	64	50	N/A	N/A

Tilt Angle– 45 Degree LLF–0.9

Mounting Height	Side-to-Side Distance (ft)			
	0.5 Fc	1 Fc	2Fc	5Fc
20	90	72	52	30
30	108	78	48	N/A
40	112	72	N/A	N/A

Areamaster™ Generation 2 LED Luminaire

Floodlight for Hazardous Locations

NEC/CEC:
 Class I, Division 2, Groups A, B, C, D
 Class I, Zone 2 Group IIC
 Class II, Division 1 and 2, Groups E, F, G
 Class III
 Zone 20 and 21 Group IIIC

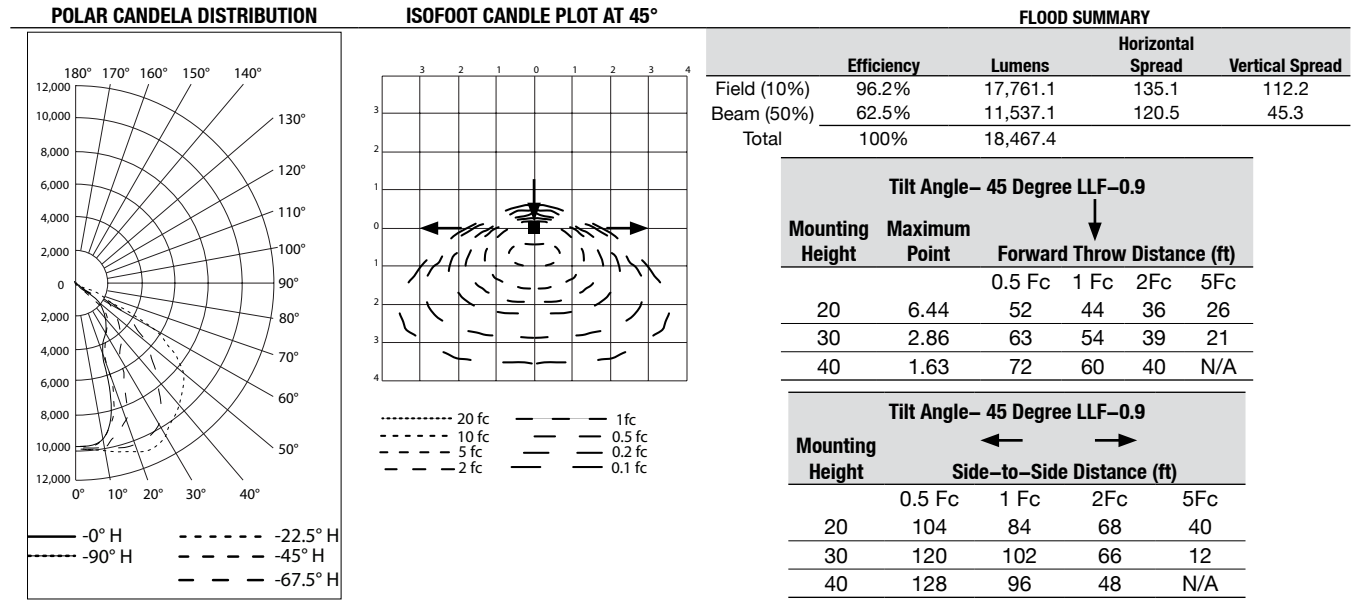
NEC/CEC:
 Zone 22, Group IIIB
 Simultaneous Exposure
 Marine Outside Type (Salt Water) for USA ONLY
 Wet Locations
 Type 3R, 4, 4X, IP66/67

Photometric Data – DATA SHOWN IS ABSOLUTE

NEMA 7x6, Clear Glass

REPORT NUMBER: **AMLGL8CG7BU**

Luminaire Lumens 18,467



NEMA 7x6, Clear Glass

REPORT NUMBER: **AMLGL8WG7BU**

Luminaire Lumens 15,556

