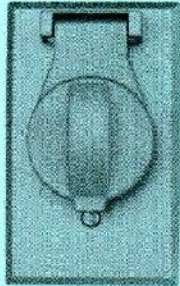


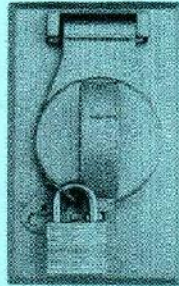
OB/SB-2

One Gang Weatherproof Covers and In-Use Covers

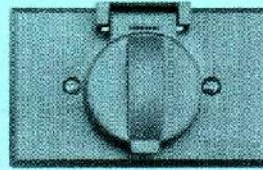
Die Cast Metal. Gasket and mounting hardware included.



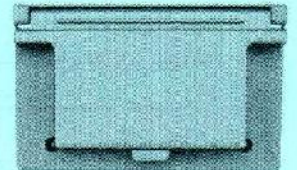
WVS1
WVSO1 (stay open)



WVSL1



WHS1



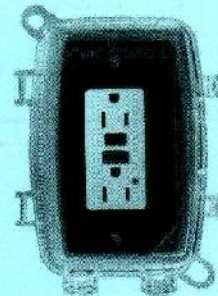
WHS1RV



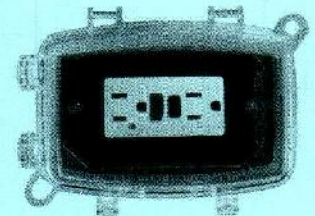
WVP211
WVP171
WVP161
WVP141



WVP21L1



WCIU1
(In-Use cover)



WCDIU1
(In-Use deep cover)

Catalog Number	Description	Orientation	For use with devices	Color	Packaging	Wt Per 100 (lbs)	Case Qty
WVS1*	Self Closing Cover	Vertical	Single Recept or Switch	Grey	Shrink Wrapped	33	24
WVSO1*	Stay Open Cover	Vertical	Single Recept or Switch	Grey	Shrink Wrapped	33	24
WVSL1†	Self Closing Cover	Vertical	Single Recept or Switch		Shrink Wrapped	33	24
WHS1*	Self Closing Cover	Horizontal	Single Recept or Switch	Grey	Shrink Wrapped	33	24
WHS1RV	Self Closing RV Cover	Horizontal	Single Recept or Switch	Grey	Shrink Wrapped	33	24
WVP211	Self Closing Power Outlet Cover (2.125" opening)	Vertical	Single Recept (20A-50A)	Grey	Shrink Wrapped	63	24
WVP171	Self Closing Power Outlet Cover (1.750" opening)	Vertical	Single Recept (30A)	Grey	Shrink Wrapped	63	24
WVP161	Self Closing Power Outlet Cover (1.625" opening)	Vertical	Single Recept (20A or 30A)	Grey	Shrink Wrapped	63	24
WVP141	Self Closing Power Outlet Cover (1.438" opening)	Vertical	Single Recept	Grey	Shrink Wrapped	63	24
WVP21L1†	Self Closing Power Outlet Cover (2.125" opening)	Vertical	Single Recept (20A-50A)	Grey	Shrink Wrapped	75	24
WCIU1‡	In-Use Cover, 2-1/4" deep (Polycarbonate)	Universal	—	Clear	Shrink Wrapped	49	6
WCDIU1‡	In-Use Cover, 3-1/8" deep (Polycarbonate)	Universal	—	Clear	Shrink Wrapped	46	4

* Catalog number shown represents grey color. White (Suffix W) and Bronze (Suffix B) also available. Consult factory for lead time.

† Hasp diameter 3/16". Lock not included. ‡ Provided with inserts, devices not included.

Effective October, 2001
Copyright 2001 Printed in U.S.A.

OB/SB-2

Weatherproof Boxes, Covers, Lampholders and Lighting Fixtures

Applications:

Use in branch circuit wiring for wet, damp, or dry locations

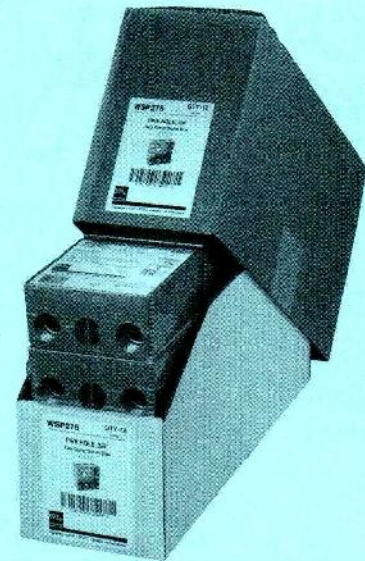
- May be used as a junction box or a device box for switches, receptacles, GFCI's, etc.
- Lampholders are for use in exterior and interior applications to provide safety and security for driveways, doorways, and walkways.
- Lighting Fixtures are for use in areas where moisture ingress is a concern such as construction sites, tunnels, bridges, subways.

Features and Benefits:

- Rugged continuous and seamless die cast construction prevents entry of dirt, dust and moisture.
- Powder coating is applied for uniform cosmetic coating and weatherproof durability.
- Mounting can be achieved with mounting lugs (provided) or by using the integral mounting knockouts.
- Smooth, accurately tapped hubs prevent wire abrasion.
- Clear UL marking and volumetric marking cast into each box and extension ring facilitate electrical inspection.
- Continuous box and cover compression ensure complete sealing at gasket interface to prevent moisture entry.
- Lockable covers and covers with integral devices are offered.
- Closure plugs (2), mounting lugs (2) and green ground screw provided with each box.
- Mounting hardware and gasket provided with each cover.
- Locking swivel knuckle on lampholders permits positive lamp positioning and accurate directional aiming.
- Lampholders are supplied with all hardware including locknuts, porcelain sockets and internal gaskets for reliability and weather protection.
- Photocells and lampholders are supplied with long leads (4" from the end of the knuckle) to facilitate wiring.
- Lighting fixtures are factory assembled and fully gasketed to ensure fast and easy installation.



Most of the boxes, covers, and lampholders are individually shrink wrapped, labeled and bar coded for ease of handling and identification.



Sturdy corrugated boxes with easy lift off top facilitate merchandising.

- Complete installation instructions are provided with each item.
- In-Use covers include: patented inserts and comply with NEC® requirements.
- Most of the boxes, covers, and lampholders are individually shrink wrapped, labeled and bar coded for ease of handling and identification.
- Lighting fixtures are individually boxed, labeled, and bar coded for ease of handling and identification.
- Well-marked outer boxes combined with shrink wrapping facilitate merchandising.

Materials:

- Boxes, Extensions, Covers, Lamp-

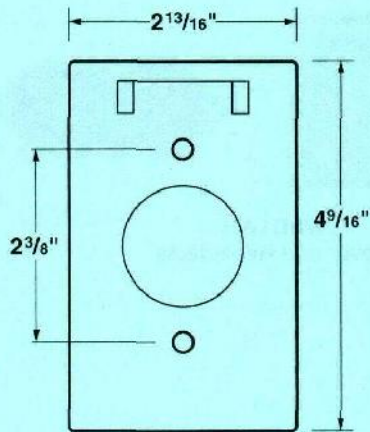
holders, Lighting Fixtures, and Closure plugs: Zinc Die Cast.

- In-Use covers: polycarbonate.
- Lugs: Stamped Aluminum (One and two gang boxes), Integrally cast (round boxes).
- Cover screws: Plated Steel.
- Gaskets: Closed cell foam (covers), Fiber (lampholders), Closed cell foam or Fiber (lighting fixtures).
- Glass: Annealed glass.
- Sockets: Porcelain (lampholders and lighting fixtures).

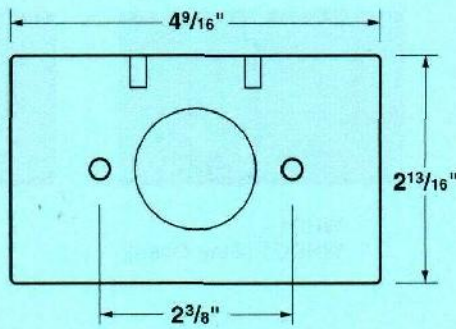
Compliances:

- UL and CUL Listed.

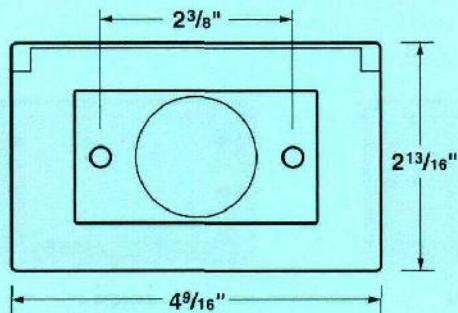
Dimensions: One Gang Covers and In-Use Inserts



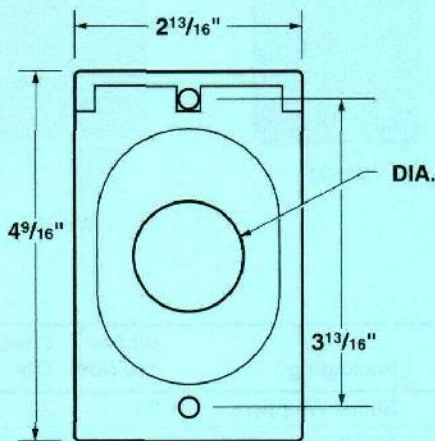
WVS1
WVSO1
WVSL1



WHS1



WHS1RV



	Diameter
WVP211	2.125"
WVP171	1.750"
WVP161	1.625"
WVP141	1.438"
WVP21L1	2.125"

WCIU1 and WCDIU1 Inserts 3 inserts produce 14 configurations

Single gang In-Use inserts can be used in both vertical and horizontal applications, by simply changing the hinge points.

