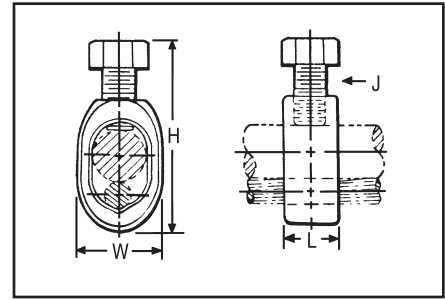


TYPE GRC

HIGH STRENGTH GROUND ROD CLAMP

For Copper Cable to Rod

High copper alloy ground connector for joining a range of cable to copper clad, galvanized steel, and stainless steel ground rods. Slips over end of rod, one-wrench installation. UL467 Listed for direct burial in earth and concrete.



REA LISTED



Catalog Number	Drive Rod	Conductor Range		H	W	L	J
		Min.	Max.				
GRC12	1/2	10 Sol.	2 Str.	2.00	.89	.63	3/8
GRC58	5/8		1 Str.	2.19	.95	.63	
GRC34	3/4	8 Sol.	1/0 Str.	2.47	1.09	.65	

D-44

TYPE GRL

LIGHT DUTY ECONOMICAL GROUND ROD CLAMP

UL 467 Listed. Acceptable for direct burial.



Catalog Number	Rod Size	Conductor Range	
		Minimum	Maximum
GRL3*	3/8	10 AWG	4 AWG
GRL4	1/2	10 AWG	2 AWG
GRL5	5/8	10 AWG	2 AWG
GRL6	3/4	10 AWG	2 AWG

* GRL3 not UL Listed.