

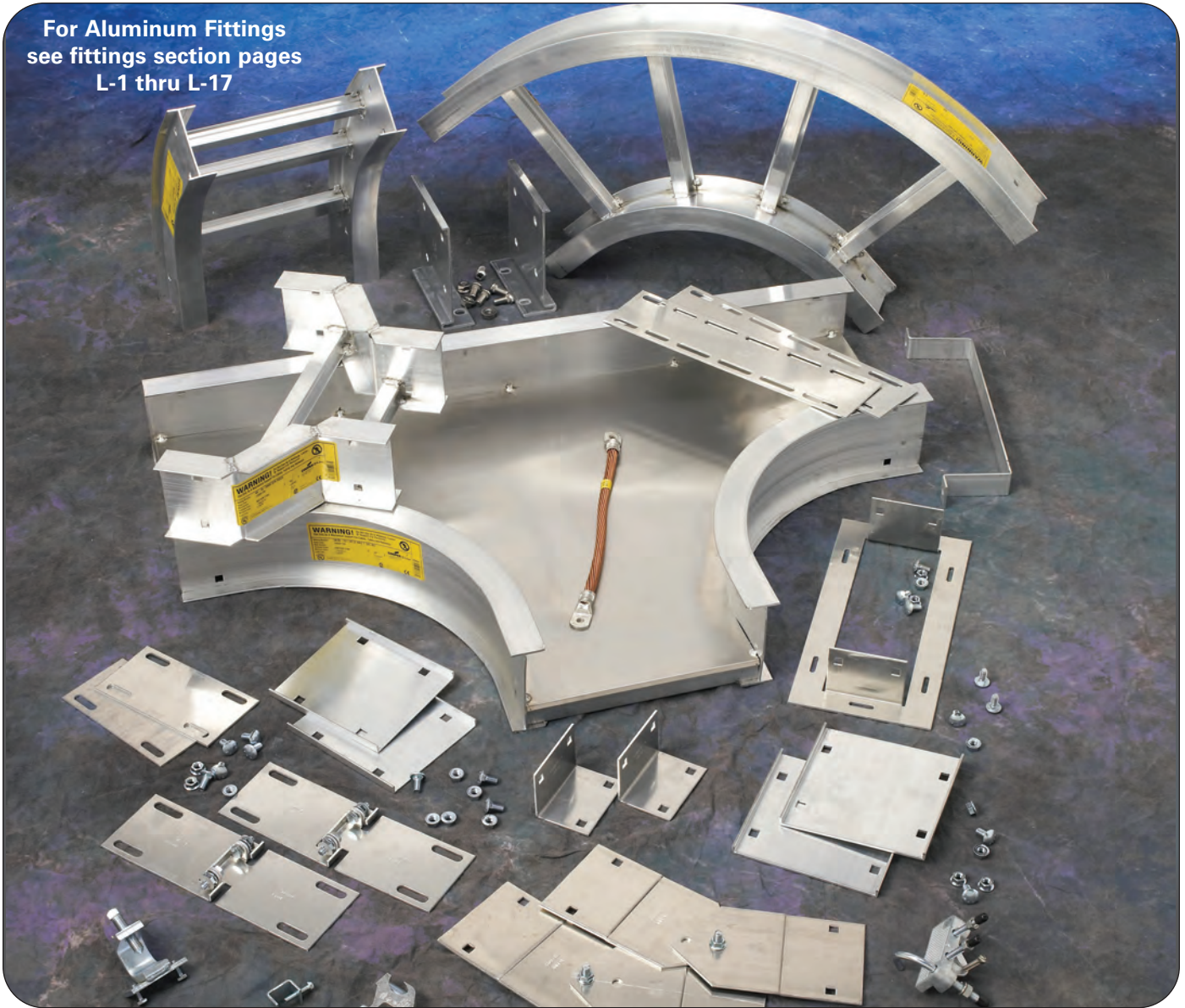
# Series 2, 3, 4, & 5 Aluminum - Straight Sections



Series 2, 3, 4, & 5 Aluminum



For Aluminum Fittings  
see fittings section pages  
L-1 thru L-17



## How The Service Advisor Works

We know that your time is important! That's why the color-coding system in this catalog is designed to help you select products that fit your service needs. Products are marked to indicate the typical lead time for orders of 50 pieces or less.

**Customer:** How do I select my straight sections, covers, or fittings so that I get the quickest turnaround?

**Service Advisor:** Each part of our selection chart is shown in colors. If any section of a part number is a different color, the part will typically ship with the longer lead time represented by the colors.

- Green = Fastest shipped items
- Black = Normal lead-time items
- Red = Normally long lead-time items

**Example:**            34A    VT   -   24   -   144  
                              ●        ●        ●        ●

**Part will have a normal lead time because of the VT bottom type.**

## 3" NEMA VE 1 Loading Depth 4" Side Rail Height

### Straight Section Part Numbering

Example: <sup>Prefix</sup> **24 A 09 - 24 - 144**

#### Series

● **24**

● **H24**

● **34**

#### Material

● **A** = Aluminum

#### \*Type

##### Ladder-

- **06** = 6" rung spacing
- **09** = 9" rung spacing
- **12** = 12" rung spacing

##### Trough-

6" thru 36" wide

- **VT** = Ventilated Trough
- **ST** = Non-Ventilated Trough

#### \*Width

- **06** = 6"
- **09** = 9"
- **12** = 12"
- **18** = 18"
- **24** = 24"
- **30** = 30"
- **36** = 36"

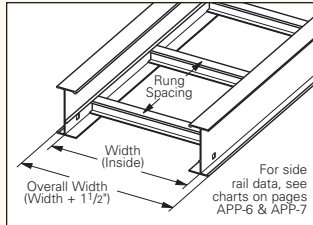
#### Length

- ① **144** = 12 ft.      24
- ② **120** = 10 ft.      H24
- ① **240** = 20 ft.      H24
- ② **144** = 12 ft.      34
- ① **240** = 20 ft.      34
- ② **144** = 12 ft.      34

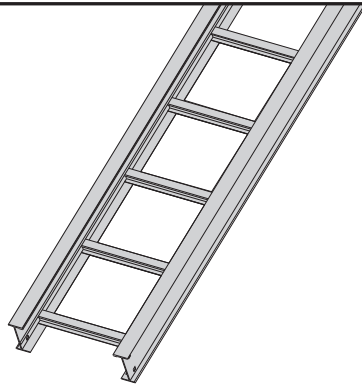
① Primary Length.

② Secondary Length.

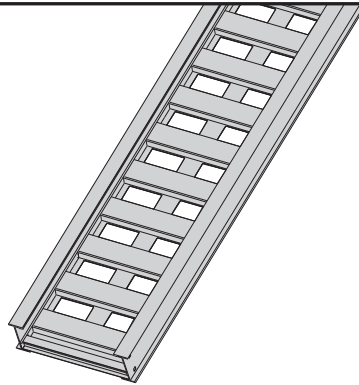
See page C-23 for explanation of lengths.



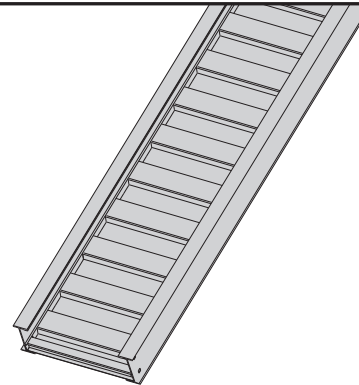
See page APP-1 for additional rung options. \*Special sizes available.



Ladder Type  
(Specify Rung Spacing)



Ventilated Trough



Non-Ventilated Trough

● Green = Fastest shipped items    ● Black = Normal lead-time items    ● Red = Normally long lead-time items

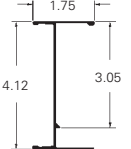
All dimensions in parentheses are millimeters unless otherwise specified.

# Series 2, 3, 4, & 5 Aluminum - Straight Sections

## 3" NEMA VE 1 Loading Depth 4" Side Rail Height

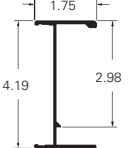
Values are based on simple beam tests per NEMA VE 1 on 36" wide cable tray with rungs spaced on 12" centers. Cable trays will support without collapse a 200 lb. (90.7 kg) concentrated load over and above published loads. Published load safety factor is 1.5. To convert 1.5 safety factor to 2.0, multiply the published load by 0.75. To obtain mid-span deflection, multiply a load by the deflection multiplier. Cable tray must be supported on spans shorter than or equal to the length of the cable tray being installed.

Individual rungs will support without collapse a 200 lb. (90.7 kg) concentrated load applied at the mid-span of the rung, over and above the NEMA rated cable load with a 1.5 safety factor for highlighted NEMA spans and loads.

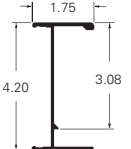
B-Line Series	Side Rail Dimensions	NEMA, CSA & UL Classifications	Span ft	Load lbs/ft	Deflection Multiplier	Design Factors for Two Rails	Span meters	Load kg/m	Deflection Multiplier	Design Factors for Two Rails
24		NEMA: 16A, 12C CSA: 277 kg/m 3.0m D-3m UL Cross-Sectional Area: 1.00 in <sup>2</sup>	6	487*	0.001	Area = 1.05 in <sup>2</sup> Sx = 1.34 in <sup>3</sup> Ix = 2.85 in <sup>4</sup>	1.8	725*	0.017	Area = 6.77 cm <sup>2</sup> Sx = 21.96 cm <sup>3</sup> Ix = 118.63 cm <sup>4</sup>
			8	284	0.003		2.4	422	0.055	
			10	181	0.008		3.0	270	0.136	
			12	126	0.016		3.7	187	0.279	
			14	93	0.030		4.3	138	0.618	
			16	71	0.052		4.9	105	0.883	

When trays are used in continuous spans, the deflection of the tray is reduced by as much as 50%. Design factors: Ix = Moment of Inertia, Sx = Section Modulus.

\* When using 18" rung spacing, load capacity is limited to 394 lbs/ft (586.27 kg/m) for 30" tray width and 325 lbs/ft (483.6 kg/m) for 36" tray width.

B-Line Series	Side Rail Dimensions	NEMA, CSA & UL Classifications	Span ft	Load lbs/ft	Deflection Multiplier	Design Factors for Two Rails	Span meters	Load kg/m	Deflection Multiplier	Design Factors for Two Rails
H24		NEMA: 20A CSA: 84 kg/m 6.1m D-6m UL Cross-Sectional Area: 1.00 in <sup>2</sup>	10	225	0.006	Area = 1.32 in <sup>2</sup> Sx = 1.57 in <sup>3</sup> Ix = 3.69 in <sup>4</sup>	3.0	330	0.106	Area = 8.52 cm <sup>2</sup> Sx = 25.73 cm <sup>3</sup> Ix = 153.59 cm <sup>4</sup>
			12	156	0.013		3.7	226	0.222	
			14	115	0.023		4.3	171	0.400	
			16	88	0.040		4.9	129	0.693	
			18	70	0.064		5.5	103	1.093	
			20	56	0.098		6.1	83	1.682	

When trays are used in continuous spans, the deflection of the tray is reduced by as much as 50%. Design factors: Ix = Moment of Inertia, Sx = Section Modulus.

B-Line Series	Side Rail Dimensions	NEMA, CSA & UL Classifications	Span ft	Load lbs/ft	Deflection Multiplier	Design Factors for Two Rails	Span meters	Load kg/m	Deflection Multiplier	Design Factors for Two Rails
34		NEMA: 20B, 16C CSA: 112 kg/m 6.0m E-6m UL Cross-Sectional Area: 1.50 in <sup>2</sup>	10	320	0.005	Area = 1.82 in <sup>2</sup> Sx = 2.10 in <sup>3</sup> Ix = 4.98 in <sup>4</sup>	3.0	476	0.077	Area = 11.74 cm <sup>2</sup> Sx = 34.41 cm <sup>3</sup> Ix = 207.28 cm <sup>4</sup>
			12	222	0.009		3.7	331	0.160	
			14	163	0.017		4.3	243	0.296	
			16	125	0.030		4.9	186	0.505	
			18	99	0.047		5.5	147	0.810	
			20	80	0.072		6.1	119	1.234	

When trays are used in continuous spans, the deflection of the tray is reduced by as much as 50%. Design factors: Ix = Moment of Inertia, Sx = Section Modulus.

All dimensions in parentheses are millimeters unless otherwise specified.

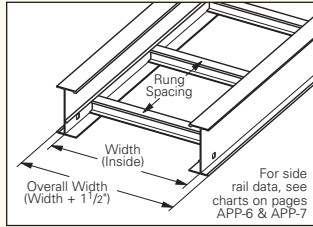
## 4" NEMA VE 1 Loading Depth 5" Side Rail Height

### Straight Section Part Numbering

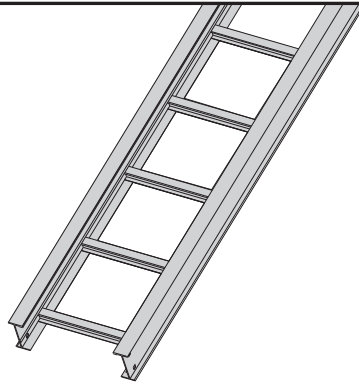
Example: <sup>Prefix</sup> **25 A 09 - 24 - 144**

Series	Material	*Type	*Width	Length
● 25	● A = Aluminum	<b>Ladder-</b>	● 06 = 6"	● ① 144 = 12 ft. 25
● 35		● 06 = 6" rung spacing	● 09 = 9"	● ② 120 = 10 ft.
		● 09 = 9" rung spacing	● 12 = 12"	● ① 240 = 20 ft. 35
		● 12 = 12" rung spacing	● 18 = 18"	● ② 144 = 12 ft.
		<b>Trough-</b>	● 24 = 24"	
		6" thru 36" wide	● 30 = 30"	
		● VT = Ventilated Trough	● 36 = 36"	
		● ST = Non-Ventilated Trough		

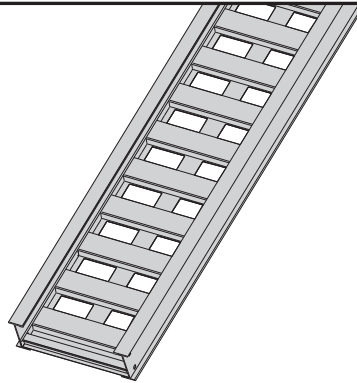
① Primary Length.  
② Secondary Length.  
See page C-23 for explanation of lengths.



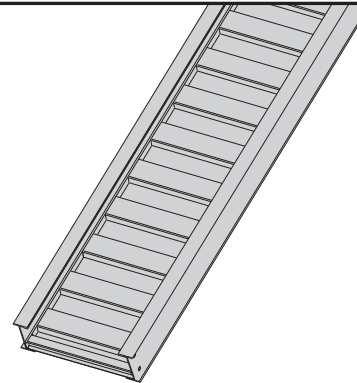
See page APP-1 for additional rung options. \*Special sizes available.



Ladder Type  
(Specify Rung Spacing)



Ventilated Trough



Non-Ventilated Trough

● Green = Fastest shipped items   ● Black = Normal lead-time items   ● Red = Normally long lead-time items

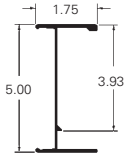
All dimensions in parentheses are millimeters unless otherwise specified.

# Series 2, 3, 4, & 5 Aluminum - Straight Sections

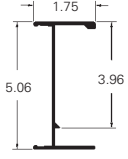
## 4" NEMA VE 1 Loading Depth 5" Side Rail Height

Values are based on simple beam tests per NEMA VE 1 on 36" wide cable tray with rungs spaced on 12" centers. Cable trays will support without collapse a 200 lb. (90.7 kg) concentrated load over and above published loads. Published load safety factor is 1.5. To convert 1.5 safety factor to 2.0, multiply published load by 0.75. To obtain mid-span deflection, multiply a load by the deflection multiplier. Cable tray must be supported on spans shorter than or equal to the length of the cable tray being installed.

Individual rungs will support without collapse a 200 lb. (90.7 kg) concentrated load applied at the mid-span of the rung, over and above the NEMA rated cable load with a 1.5 safety factor for highlighted NEMA spans and loads.

B-Line Series	Side Rail Dimensions	NEMA, CSA & UL Classifications	Span ft	Load lbs/ft	Deflection Multiplier	Design Factors for Two Rails	Span meters	Load kg/m	Deflection Multiplier	Design Factors for Two Rails
25		NEMA: 20A, 12C CSA: 67 kg/m 6.0m D-6m UL Cross-Sectional Area: 1.00 in <sup>2</sup>	10	200	0.0049	Area = 1.24 in <sup>2</sup> S <sub>x</sub> = 1.80 in <sup>3</sup> I <sub>x</sub> = 4.62 in <sup>4</sup>	3.0	298	0.083	Area = 8.00 cm <sup>2</sup> S <sub>x</sub> = 29.50 cm <sup>3</sup> I <sub>x</sub> = 192.30 cm <sup>4</sup>
			12	139	0.010		3.7	207	0.172	
			14	102	0.019		4.3	152	0.319	
			16	78	0.032		4.9	116	0.545	
			18	62	0.051		5.5	92	0.873	
			20	50	0.078		6.1	74	1.330	

When trays are used in continuous spans, the deflection of the tray is reduced by as much as 50%. Design factors: I<sub>x</sub> = Moment of Inertia, S<sub>x</sub> = Section Modulus.

B-Line Series	Side Rail Dimensions	NEMA, CSA & UL Classifications	Span ft	Load lbs/ft	Deflection Multiplier	Design Factors for Two Rails	Span meters	Load kg/m	Deflection Multiplier	Design Factors for Two Rails
35		NEMA: 20B, 16C CSA: 112 kg/m 6.0m E-6m UL Cross-Sectional Area: 1.50 in <sup>2</sup>	10	310	0.0036	Area = 1.67 in <sup>2</sup> S <sub>x</sub> = 2.35 in <sup>3</sup> I <sub>x</sub> = 6.37 in <sup>4</sup>	3.0	461	0.060	Area = 10.77 cm <sup>2</sup> S <sub>x</sub> = 38.51 cm <sup>3</sup> I <sub>x</sub> = 265.14 cm <sup>4</sup>
			12	215	0.0073		3.7	320	0.125	
			14	158	0.014		4.3	235	0.232	
			16	121	0.023		4.9	180	0.395	
			18	96	0.037		5.5	142	0.633	
			20	77	0.057		6.1	115	0.965	

When trays are used in continuous spans, the deflection of the tray is reduced by as much as 50%. Design factors: I<sub>x</sub> = Moment of Inertia, S<sub>x</sub> = Section Modulus.

All dimensions in parentheses are millimeters unless otherwise specified.



## 5" NEMA VE 1 Loading Depth 6" Side Rail Height

### Straight Section Part Numbering

Example: <sup>Prefix</sup> **26 A 09 - 24 - 144**

#### Series

● 26

● 36

● 46

● H46†

#### Material

● A = Aluminum

#### \*Type

##### Ladder-

- 06 = 6" rung spacing
- 09 = 9" rung spacing
- 12 = 12" rung spacing

##### Trough-

6" thru 36" wide

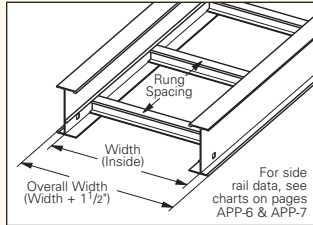
- VT = Ventilated Trough
- ST = Non-Ventilated Trough

#### \*Width

- 06 = 6"
- 09 = 9"
- 12 = 12"
- 18 = 18"
- 24 = 24"
- 30 = 30"
- 36 = 36"

#### Length

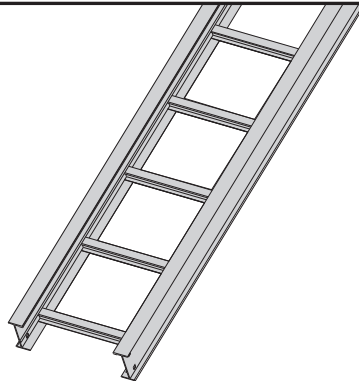
- ① 144 = 12 ft. 26
- ② 120 = 10 ft.
- ① 240 = 20 ft. 36
- ② 144 = 12 ft.
- ① 240 = 20 ft. 46
- ② 288 = 24 ft.
- ① 240 = 20 ft. H46
- ② 300 = 25 ft.



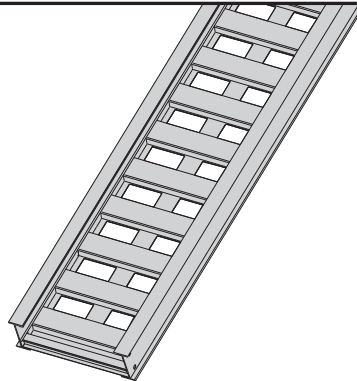
① Primary Length.  
② Secondary Length.

See page C-23 for explanation of lengths.

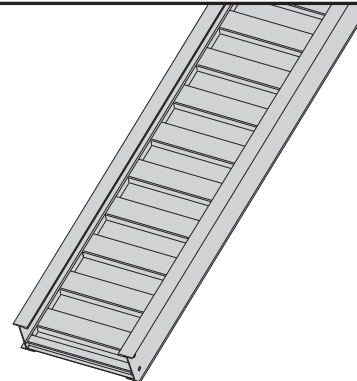
See page APP-1 for additional rung options. \*Special sizes available.



Ladder Type  
(Specify Rung Spacing)



Ventilated Trough



Non-Ventilated Trough

● Green = Fastest shipped items   ● Black = Normal lead-time items   ● Red = Normally long lead-time items

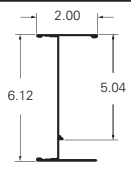
All dimensions in parentheses are millimeters unless otherwise specified.

# Series 2, 3, 4, & 5 Aluminum - Straight Sections

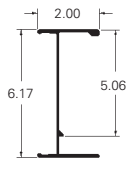
## 5" NEMA VE 1 Loading Depth 6" Side Rail Height

Values are based on simple beam tests per NEMA VE 1 on 36" wide cable tray with rungs spaced on 12" centers. Cable trays will support, without collapse, a 200 lb. (90.7 kg) concentrated load over and above published loads. Published load safety factor is 1.5. To convert 1.5 safety factor to 2.0, multiply the published load by 0.75. To obtain mid-span deflection, multiply a load by the deflection multiplier. Cable tray must be supported on spans shorter than or equal to the length of the cable tray being installed.

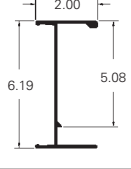
Individual rungs will support without collapse a 200 lb. (90.7 kg) concentrated load applied at the mid-span of the rung, over and above the NEMA rated cable load with a 1.5 safety factor for highlighted NEMA spans and loads.

B-Line Series	Side Rail Dimensions	NEMA, CSA & UL Classifications	Span ft	Load lbs/ft	Deflection Multiplier	Design Factors for Two Rails	Span meters	Load kg/m	Deflection Multiplier	Design Factors for Two Rails
26		NEMA: 20A, 16B CSA: 67 kg/m 6.0m D-6m UL Cross-Sectional Area: 1.00 in <sup>2</sup>	10	204	0.0028	Area = 1.41 in <sup>2</sup> Sx = 2.53 in <sup>3</sup> Ix = 7.915 in <sup>4</sup>	3.0	304	0.049	Area = 9.10 cm <sup>2</sup> Sx = 41.46 cm <sup>3</sup> Ix = 329.45 cm <sup>4</sup>
			12	142	0.006		3.7	211	0.101	
			14	104	0.011		4.3	155	0.186	
			16	80	0.019		4.9	119	0.318	
			18	63	0.030		5.5	94	0.509	
			20	51	0.045		6.1	76	0.776	

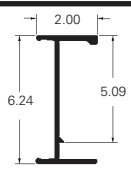
When trays are used in continuous spans, the deflection of the tray is reduced by as much as 50%. Design factors: Ix = Moment of Inertia, Sx = Section Modulus.

B-Line Series	Side Rail Dimensions	NEMA, CSA & UL Classifications	Span ft	Load lbs/ft	Deflection Multiplier	Design Factors for Two Rails	Span meters	Load kg/m	Deflection Multiplier	Design Factors for Two Rails
36		NEMA: 20B, 16C CSA: 112 kg/m 6.0m E-6m UL Cross-Sectional Area: 1.50 in <sup>2</sup>	12	233	0.0043	Area = 1.81 in <sup>2</sup> Sx = 3.36 in <sup>3</sup> Ix = 10.85 in <sup>4</sup>	3.7	269	0.073	Area = 11.68 cm <sup>2</sup> Sx = 55.06 cm <sup>3</sup> Ix = 451.61 cm <sup>4</sup>
			14	171	0.008		4.3	177	0.136	
			16	131	0.014		4.9	134	0.232	
			18	104	0.022		5.5	101	0.372	
			20	84	0.033		6.1	81	0.566	
			22	69	0.049		6.7	67	0.829	

When trays are used in continuous spans, the deflection of the tray is reduced by as much as 50%. Design factors: Ix = Moment of Inertia, Sx = Section Modulus.

B-Line Series	Side Rail Dimensions	NEMA, CSA & UL Classifications	Span ft	Load lbs/ft	Deflection Multiplier	Design Factors for Two Rails	Span meters	Load kg/m	Deflection Multiplier	Design Factors for Two Rails
46		NEMA: 20C CSA: 168 kg/m 6.1m E-6m UL Cross-Sectional Area: 1.50 in <sup>2</sup>	14	210	0.0071	Area = 2.06 in <sup>2</sup> Sx = 3.59 in <sup>3</sup> Ix = 12.18 in <sup>4</sup>	4.3	313	0.121	Area = 13.29 cm <sup>2</sup> Sx = 58.83 cm <sup>3</sup> Ix = 506.97 cm <sup>4</sup>
			16	161	0.012		4.9	239	0.207	
			18	127	0.019		5.5	189	0.331	
			20	103	0.030		6.1	153	0.505	
			22	85	0.043		6.7	127	0.739	
			24	72	0.061		7.3	106	1.046	

When trays are used in continuous spans, the deflection of the tray is reduced by as much as 50%. Design factors: Ix = Moment of Inertia, Sx = Section Modulus.

B-Line Series	Side Rail Dimensions	NEMA, CSA & UL Classifications	Span ft	Load lbs/ft	Deflection Multiplier	Design Factors for Two Rails	Span meters	Load kg/m	Deflection Multiplier	Design Factors for Two Rails
H46		NEMA: 20C+ CSA: 131 kg/m 7.6m E-6m UL Cross-Sectional Area: 2.00 in <sup>2</sup>	16	261	0.0085	Area = 2.95 in <sup>2</sup> Sx = 5.33 in <sup>3</sup> Ix = 17.30 in <sup>4</sup>	4.9	388	0.145	Area = 19.03 cm <sup>2</sup> Sx = 87.34 cm <sup>3</sup> Ix = 720.08 cm <sup>4</sup>
			18	206	0.014		5.5	307	0.233	
			20	167	0.021		6.1	248	0.355	
			22	138	0.030		6.7	205	0.520	
			24	116	0.043		7.3	173	0.737	
			25	88	0.051		7.6	131	0.867	

When trays are used in continuous spans, the deflection of the tray is reduced by as much as 50%. Design factors: Ix = Moment of Inertia, Sx = Section Modulus.

All dimensions in parentheses are millimeters unless otherwise specified.



# Series 2, 3, 4, & 5 Aluminum - Straight Sections

## 6" NEMA VE 1 Loading Depth 7" Side Rail Height

### Straight Section Part Numbering

Example: <sup>Prefix</sup> **37 A 09 - 24 - 144**

#### Series

● 27

● 37

● 47

● H47†

● 57

#### Material

● A = Aluminum

#### \*Type

##### Ladder-

- 06 = 6" rung spacing
- 09 = 9" rung spacing
- 12 = 12" rung spacing

#### \*Width

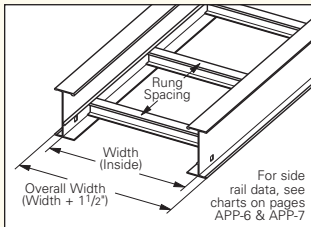
- 06 = 6"
- 09 = 9"
- 12 = 12"
- 18 = 18"
- 24 = 24"
- 30 = 30"
- 36 = 36"

#### Length

- ① 144 = 12 ft.      27
- ② 120 = 10 ft.
- ① 240 = 20 ft.      37
- ② 144 = 12 ft.
- ① 240 = 20 ft.      47
- ② 288 = 24 ft.
- ① 240 = 20 ft.      H47
- ② 300 = 25 ft.
- ① 360 = 30 ft.      57
- ② 300 = 25 ft.

① Primary Length.  
② Secondary Length.

See page C-23 for explanation of lengths.



##### ● Trough-

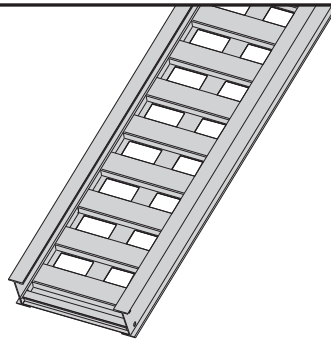
- 6" thru 36" wide
- VT = Ventilated Trough
- ST = Non-Ventilated Trough

† H47A & 57A only available in ladder type 9" and 12" rung spacing.  
See page APP-2.

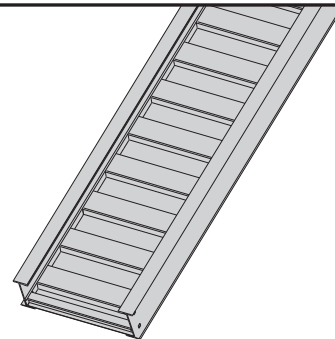
See page APP-1 for additional rung options. \*Special sizes available.



Ladder Type  
(Specify Rung Spacing)

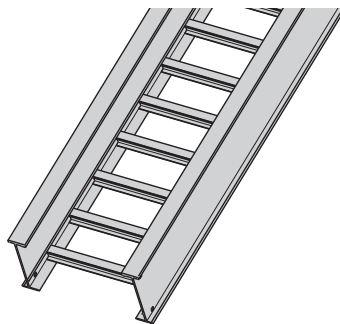


Ventilated Trough



Non-Ventilated Trough

57A available in  
(9" & 12" rung spacing in  
12" to 36" widths)



● Green = Fastest shipped items    ● Black = Normal lead-time items    ● Red = Normally long lead-time items

All dimensions in parentheses are millimeters unless otherwise specified.

# Series 2, 3, 4, & 5 Aluminum - Straight Sections

## 6" NEMA VE 1 Loading Depth 7" Side Rail Height

Values are based on simple beam tests per NEMA VE 1 on 36" wide cable tray with rungs spaced on 12" centers. Cable trays will support without collapse a 200 lb. (90.7 kg) concentrated load over and above published loads. Published load safety factor is 1.5. To convert 1.5 safety factor to 2.0, multiply the published load by 0.75. To obtain mid-span deflection, multiply a load by the deflection multiplier. Cable tray must be supported on spans shorter than or equal to the length of the cable tray being installed.

Individual rungs will support without collapse a 200 lb. (90.7 kg) concentrated load applied at the mid-span of the rung, over and above the NEMA rated cable load with a 1.5 safety factor for highlighted NEMA spans and loads.

B-Line Series	Side Rail Dimensions	NEMA, CSA & UL Classifications	Span ft	Load lbs/ft	Deflection Multiplier	Design Factors for Two Rails	Span meters	Load kg/m	Deflection Multiplier	Design Factors for Two Rails
27		NEMA: 12C CSA: 68 kg/m 6.0m D-6m UL Cross-Sectional Area: 1.50 in <sup>2</sup>	10	177	0.006	Area = 1.63 in <sup>2</sup> Sx = 2.93 in <sup>3</sup> Ix = 11.28 in <sup>4</sup>	3.0	269	0.033	Area = 10.52 cm <sup>2</sup> Sx = 48.01 cm <sup>3</sup> Ix = 469.51 cm <sup>4</sup>
			12	123	0.013		3.7	177	0.073	
			14	90	0.023		4.3	134	0.131	
			16	69	0.040		4.9	101	0.227	
			18	54	0.064		5.5	81	0.357	
			20	44	0.098		6.1	67	0.534	
37		NEMA: 20B, 16C CSA: 101 kg/m 6.1m D-6m UL Cross-Sectional Area: 1.50 in <sup>2</sup>	12	222	0.0035	Area = 1.81 in <sup>2</sup> Sx = 3.77 in <sup>3</sup> Ix = 13.50 in <sup>4</sup>	3.7	331	0.059	Area = 11.68 cm <sup>2</sup> Sx = 61.78 cm <sup>3</sup> Ix = 561.91 cm <sup>4</sup>
			14	163	0.0064		4.3	243	0.109	
			16	125	0.011		4.9	186	0.186	
			18	99	0.017		5.5	147	0.299	
			20	80	0.027		6.1	119	0.455	
			22	66	0.039		6.7	98	0.666	
47		NEMA: 20C CSA: 142 kg/m 6.1m E-6m UL Cross-Sectional Area: 2.00 in <sup>2</sup>	14	204	0.0048	Area = 2.38 in <sup>2</sup> Sx = 4.94 in <sup>3</sup> Ix = 17.88 in <sup>4</sup>	4.3	305	0.083	Area = 15.35 cm <sup>2</sup> Sx = 80.95 cm <sup>3</sup> Ix = 744.22 cm <sup>4</sup>
			16	156	0.0082		4.9	233	0.141	
			18	123	0.0132		5.5	184	0.225	
			20	100	0.0201		6.1	149	0.344	
			22	83	0.0295		6.7	123	0.503	
			24	69	0.0418		7.3	103	0.713	
H47		NEMA: 20C+ CSA: 241 kg/m 6.1m E-6m UL Cross-Sectional Area: 2.00 in <sup>2</sup>	16	233	0.0064	Area = 3.04 in <sup>2</sup> Sx = 6.10 in <sup>3</sup> Ix = 22.91 in <sup>4</sup>	4.9	346	0.110	Area = 19.61 cm <sup>2</sup> Sx = 99.96 cm <sup>3</sup> Ix = 953.59 cm <sup>4</sup>
			18	184	0.010		5.4	274	0.176	
			20	149	0.016		6.1	222	0.268	
			22	123	0.023		6.7	183	0.393	
			24	103	0.033		7.3	154	0.556	
			25	95	0.038		7.6	142	0.655	
57		NEMA: 20C+ CSA: 151 kg/m 9.1m E-6m UL Cross-Sectional Area: 2.00 in <sup>2</sup>	20	232	0.011	Area = 4.22 in <sup>2</sup> Sx = 7.73 in <sup>3</sup> Ix = 32.86 in <sup>4</sup>	6.1	345	0.187	Area = 27.73 cm <sup>2</sup> Sx = 126.67 cm <sup>3</sup> Ix = 1367.74 cm <sup>4</sup>
			22	192	0.016		6.7	285	0.274	
			24	161	0.023		7.3	240	0.388	
			26	136	0.031		7.9	202	0.534	
			28	117	0.042		8.5	174	0.718	
			30	102	0.055		9.1	152	0.947	

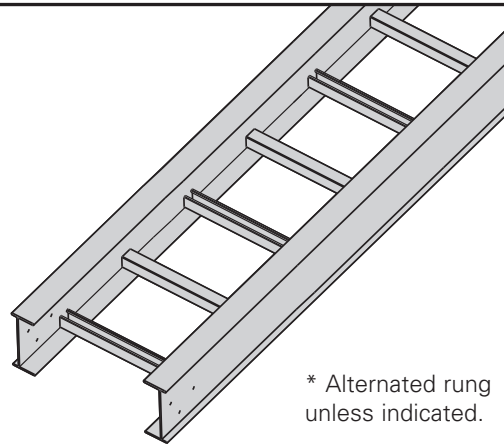
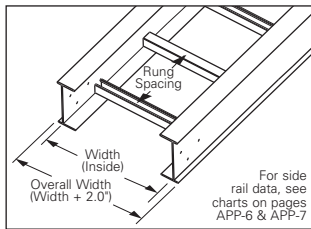
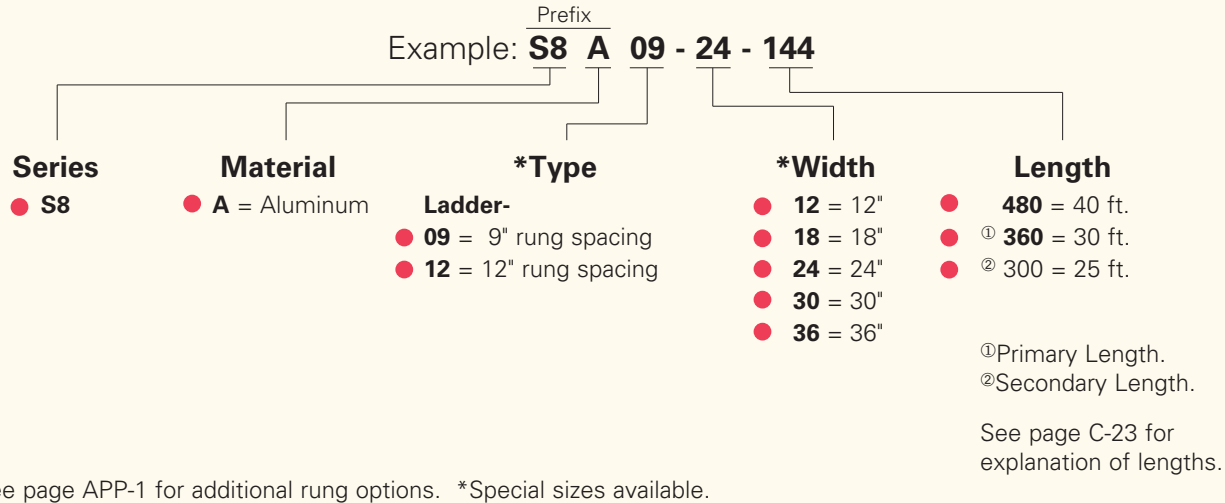
When trays are used in continuous spans, the deflection of the tray is reduced by as much as 50%. Design factors: Ix = Moment of Inertia, Sx = Section Modulus.

All dimensions in parentheses are millimeters unless otherwise specified.

# Series 2, 3, 4, & 5 Aluminum - Straight Sections

## 6" NEMA VE 1 Loading Depth 8" Side Rail Height

### Straight Section Part Numbering



Values are based on simple beam tests per NEMA VE 1 on 36" wide cable tray with rungs spaced on 12" centers. Cable trays will support without collapse a 200 lb. (90.7 kg) concentrated load over and above published loads. Published load safety factor is 1.5. To convert 1.5 safety factor to 2.0, multiply the published load by 0.75. To obtain mid-span deflection, multiply a load by the deflection multiplier. Cable tray must be supported on spans shorter than or equal to the length of the cable tray being installed.

Individual rungs will support without collapse a 200 lb. (90.7 kg) concentrated load applied at the mid-span of the rung, over and above the NEMA rated cable load with a 1.5 safety factor for highlighted NEMA spans and loads.

B-Line Series	Side Rail Dimensions	NEMA, CSA & UL Classifications	Span ft	Load lbs/ft	Deflection Multiplier	Design Factors for Two Rails	Span meters	Load kg/m	Deflection Multiplier	Design Factors for Two Rails
<b>S8A</b>		NEMA: 20C+	20	363	0.007	Area=5.50 in <sup>2</sup> Sx=15.39 in <sup>3</sup> Ix=55.35 in <sup>4</sup>	6.1	540	0.111	Area=35.48 cm <sup>2</sup> Sx=252.20 cm <sup>3</sup> Ix=2303.84 cm <sup>4</sup>
		CSA: 240 kg/m 9.1m	22	300	0.010		6.7	446	0.163	
		UL Cross-Sectional Area: 2.00 in <sup>2</sup>	24	252	0.013		7.3	375	0.230	
			26	215	0.019		7.9	320	0.317	
			28	185	0.025		8.5	276	0.427	
			30	161	0.033		9.1	240	0.562	
			40	101	0.146		12.2	151	2.488	

● Green = Fastest shipped items   ● Black = Normal lead-time items   ● Red = Normally long lead-time items

All dimensions in parentheses are millimeters unless otherwise specified.