

Lay-In Wireway Type 12 Data Sheet



Application

- Houses runs of control and power cable
- Protects against circulating dust, falling dirt and dripping noncorrosive liquids

Standards

- UL 870 listed, unless noted
- CSA C22.2 No. 26 certified, unless noted
- Conforms to NEMA standard for Type 12

Finish

- Wash and phosphate undercoat
- ANSI 61 gray polyester powder finish
- Hardware and latches are zinc plated

Accessories

- Touch-up paint
- See Accessories section

Construction

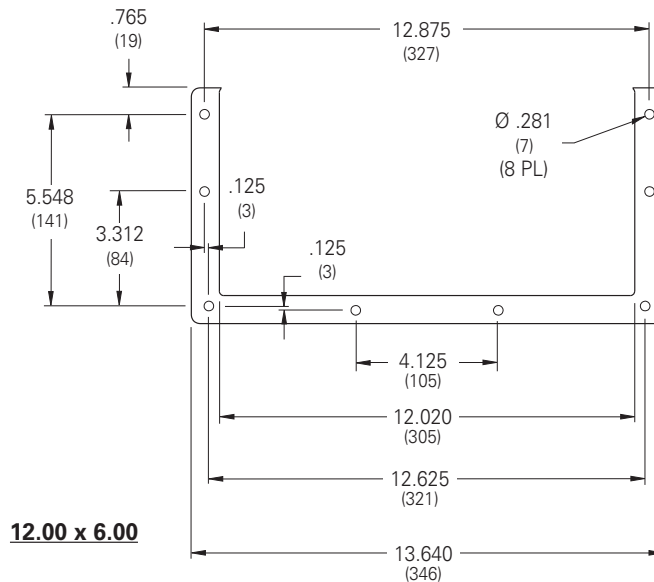
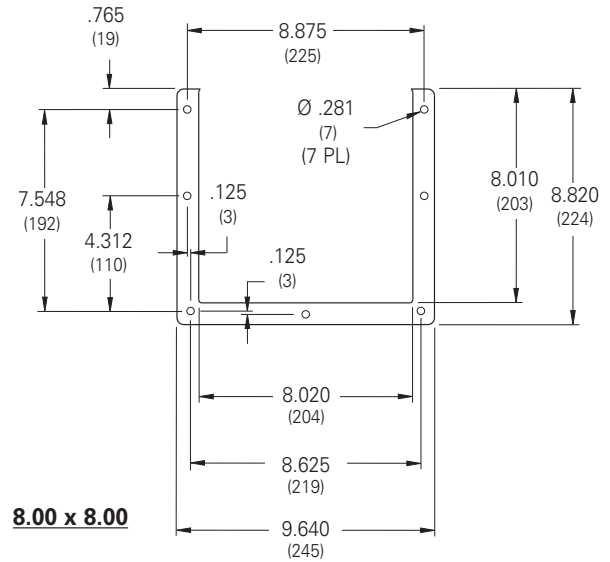
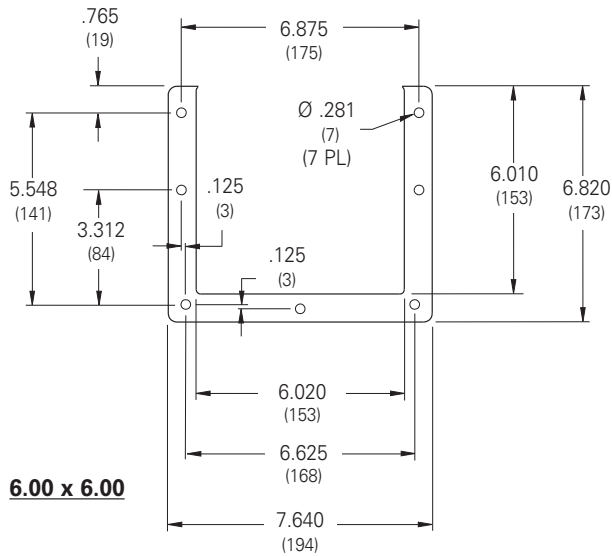
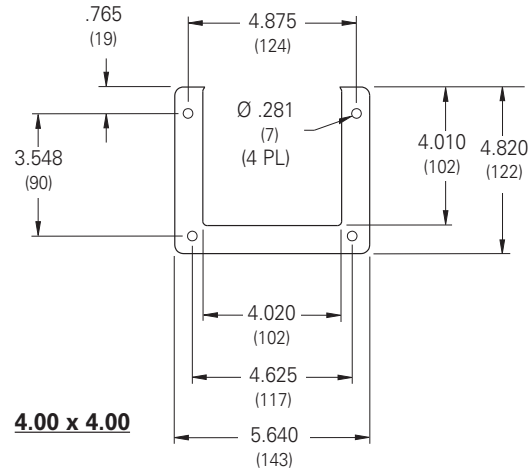
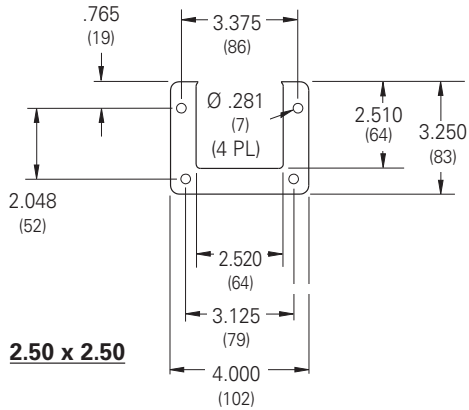
- Wireway body and cover are fabricated from (14) gauge steel
- Flanges are (10) gauge steel
- All continuous welded seams are finished smooth
- External and internal edges are rounded to prevent injury or damage to cable
- Covers are secured to the wireway and fitting body with heavy duty butt hinges and quick-release latches
- Covers have a fixed, oil-resistant gasket
- An oil-resistant gasket is provided for installation between flanges
- All covers and sealing plates can be hinged completely open or removed to allow for continuous lay-in cable feed
- All straight sections and fittings are furnished with sealing plate kits (see pages 26-30)

Discount Schedule: C2

Subclass: D90

Notes: We can provide special sizes, finishes and other modifications. Consult the factory for your special requirements.

Lay-In Wireway Type 12 Illustration Sheet

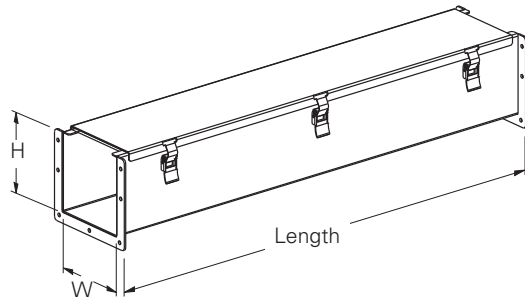


Flange Details

Notes: Dimensions are in inches. Millimeters shown are for reference only. Data subject to change without notice.

Lay-In Wireway Type 12

Illustration Sheet and Catalog Number



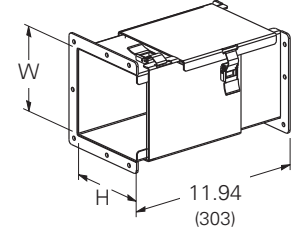
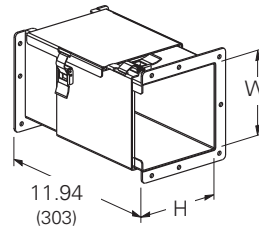
Straight Section

- includes (1) sealing plate kit

Catalog Number	Size	H		W	
		in.	mm	in.	mm
22(*)-12LW	2.5 x 2.5	2.50	64	2.50	64
44(*)-12LW	4 x 4	4.00	102	4.00	102
66(*)-12LW	6 x 6	6.00	152	6.00	152
88(*)-12LW	8 x 8	8.00	203	8.00	203
126(*)-12LW	12 x 6	6.00	152	12.00	305

(*) Insert for length **04** = 4", **06** = 6", **12** = 12", **24** = 24", **36** = 36", **48** = 48", **60** = 60", **120** = 120".

For	Actual Length	
	in.	mm
4	3.94	100
6	5.94	151
12	11.94	303
24	23.94	608
36	35.94	913
48	47.94	1218
60	59.94	1522
120	119.94	3046



Transposition Wireway Sections

Clockwise (C)

- includes (1) sealing plate kit

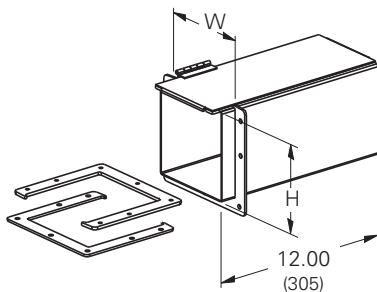
Counterclockwise (CC)

- includes (1) sealing plate kit

Catalog Number	Size	H		W	
		in.	mm	in.	mm
22-12LTS(*)	2.5 x 2.5	2.50	64	2.50	64
44-12LTS(*)	4 x 4	4.00	102	4.00	102
66-12LTS(*)	6 x 6	6.00	152	6.00	152
88-12LTS(*)	8 x 8	8.00	203	8.00	203

(*) Insert **C** for Clockwise

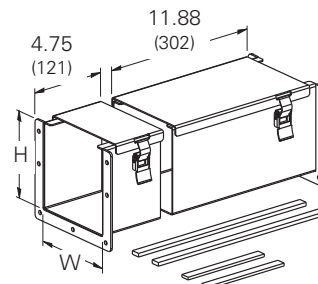
Insert **CC** for Counterclockwise



Telescopic Fitting, Lay-In

- adjustable length from 1" to 7"
- includes hardware
- no cutting or welding required

Catalog Number	Size	H		W	
		in.	mm	in.	mm
22-12LTF	2.5 x 2.5	2.32	59	2.32	59
44-12LTF	4 x 4	3.82	97	3.82	97
66-12LTF	6 x 6	5.82	148	5.82	148
88-12LTF	8 x 8	7.82	199	7.82	199
126-12LTF	12 x 6	5.82	148	11.82	300



Cut-Off Fitting, Lay-In

- includes (1) sealing plate kit
- shorten body and cover to desired length and weld together, 9.50" minimum length

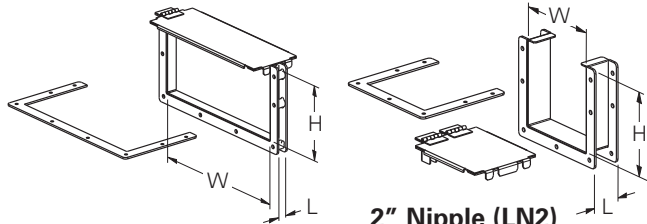
Catalog Number	Size	H		W	
		in.	mm	in.	mm
22-12LCF	2.5 x 2.5	2.50	64	2.50	64
44-12LCF	4 x 4	4.00	102	4.00	102
66-12LCF	6 x 6	6.00	152	6.00	152
88-12LCF	8 x 8	8.00	203	8.00	203
126-12LCF	12 x 6	6.00	152	12.00	305

Notes: Dimensions are in inches. Millimeters shown are for reference only. Data subject to change without notice.

Cable & Wire Management

Lay-In Wireway Type 12

Illustration Sheet and Catalog Number



1" Nipple (LN1)

• includes hardware

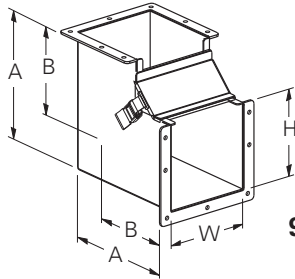
Catalog Number	Size	H in. mm	W in. mm
22-12LN(*)	2.5 x 2.5	2.50 64	2.50 64
44-12LN(*)	4 x 4	4.00 102	4.00 102
66-12LN(*)	6 x 6	6.00 152	6.00 152
88-12LN(*)	8 x 8	8.00 203	8.00 203
126-12LN(*)	12 x 6	6.00 152	12.00 305

2" Nipple (LN2)

3" Nipple (LN3)

• includes hardware

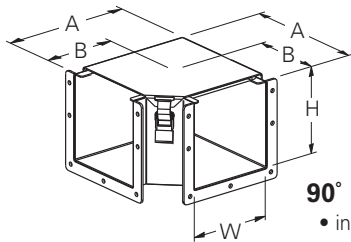
(*) Insert **1** for 1" nipple (L=.938")
 Insert **2** for 2" nipple (L=1.938")
 Insert **3** for 3" nipple (L=2.938")



90° Elbow, Inside Opening

• includes (1) sealing plate kit

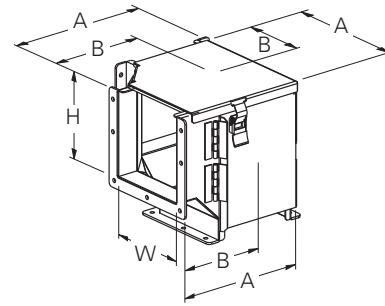
Catalog Number	Size	H in. mm	W in. mm	A in. mm	B in. mm
22-12LE9B	2.5 x 2.5	2.50 64	2.50 64	5.94 151	4.69 119
44-12LE9B	4 x 4	4.00 102	4.00 102	7.44 189	5.44 138
66-12LE9B	6 x 6	6.00 152	6.00 152	9.44 240	6.44 164
88-12LE9B	8 x 8	8.00 203	8.00 203	11.44 291	7.44 189
126-12LE9B	12 x 6	6.00 152	12.00 305	9.44 240	6.44 164



90° Elbow, Top Opening

• includes (1) sealing plate kit

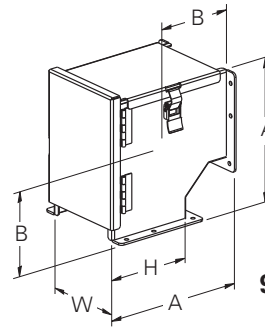
Catalog Number	Size	H in. mm	W in. mm	A in. mm	B in. mm
22-12LE9A	2.5 x 2.5	2.50 64	2.50 64	5.25 133	4.00 102
44-12LE9A	4 x 4	4.00 102	4.00 102	6.75 171	4.75 121
66-12LE9A	6 x 6	6.00 152	6.00 152	8.75 222	5.75 146
88-12LE9A	8 x 8	8.00 203	8.00 203	10.75 273	6.75 171
126-12LE9A	12 x 6	6.00 152	12.00 305	14.75 375	8.75 222



90° Elbow, Outside-Top Opening

• includes (2) sealing plate kits

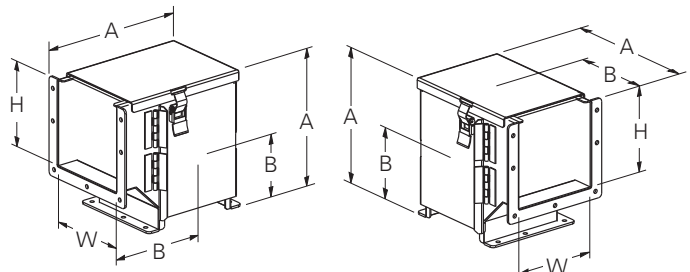
Catalog Number	Size	H in. mm	W in. mm	A in. mm	B in. mm
22-12LE9AC	2.5 x 2.5	2.50 64	2.50 64	5.94 151	4.69 119
44-12LE9AC	4 x 4	4.00 102	4.00 102	7.44 189	5.44 138
66-12LE9AC	6 x 6	6.00 152	6.00 152	9.44 240	6.44 164
88-12LE9AC	8 x 8	8.00 203	8.00 203	11.44 291	7.44 189



90° Elbow, Outside Opening

• includes (1) sealing plate kit

Catalog Number	Size	H in. mm	W in. mm	A in. mm	B in. mm
22-12LE9C	2.5 x 2.5	2.50 64	2.50 64	5.94 151	4.69 119
44-12LE9C	4 x 4	4.00 102	4.00 102	7.44 189	5.44 138
66-12LE9C	6 x 6	6.00 152	6.00 152	9.44 240	6.44 164
88-12LE9C	8 x 8	8.00 203	8.00 203	11.44 291	7.44 189
126-12LE9C	12 x 6	6.00 152	12.00 305	9.44 240	6.44 164



90° Transposition Elbows

Clockwise (C)

• includes (1) sealing plate kit

Counterclockwise (CC)

• includes (1) sealing plate kit

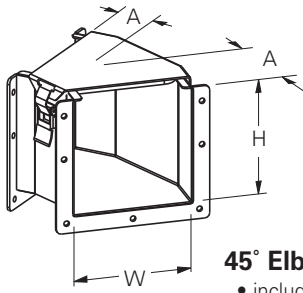
Catalog Number	Size	H in. mm	W in. mm	A in. mm	B in. mm
22-12LE9T(*)	2.5 x 2.5	2.50 64	2.50 64	5.94 151	4.69 119
44-12LE9T(*)	4 x 4	4.00 102	4.00 102	7.44 189	5.44 138
66-12LE9T(*)	6 x 6	6.00 152	6.00 152	9.44 240	6.44 164
88-12LE9T(*)	8 x 8	8.00 203	8.00 203	11.44 291	7.44 189

(*) Insert **C** for Clockwise, Insert **CC** for Counterclockwise

Notes: Dimensions are in inches. Millimeters shown are for reference only. Data subject to change without notice.

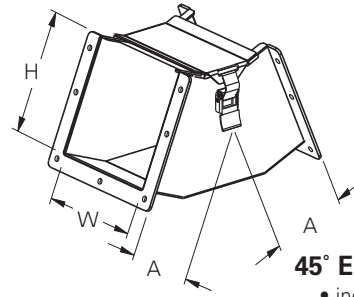
Lay-In Wireway Type 12

Illustration Sheet and Catalog Number



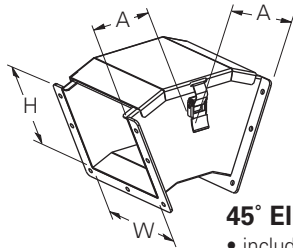
45° Elbow, Top Opening
• includes (1) sealing plate kit

Catalog Number	Size	H		W		A	
		in.	mm	in.	mm	in.	mm
22-12LE45A	2.5 x 2.5	2.50	64	2.50	64	3.12	79
44-12LE45A	4 x 4	4.00	102	4.00	102	3.70	94
66-12LE45A	6 x 6	6.00	152	6.00	152	4.46	113
88-12LE45A	8 x 8	8.00	203	8.00	203	5.23	133
126-12LE45A	12 x 6	6.00	152	12.00	305	6.76	172



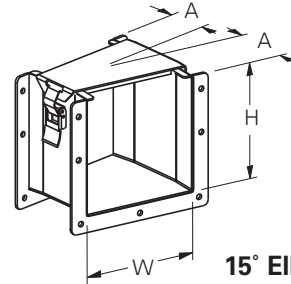
45° Elbow, Inside Opening
• includes (1) sealing plate kit

Catalog Number	Size	H		W		A	
		in.	mm	in.	mm	in.	mm
22-12LE45B	2.5 x 2.5	2.50	64	2.50	64	3.70	94
44-12LE45B	4 x 4	4.00	102	4.00	102	4.28	109
66-12LE45B	6 x 6	6.00	152	6.00	152	5.04	128
88-12LE45B	8 x 8	8.00	203	8.00	203	5.81	148
126-12LE45B	12 x 6	6.00	152	12.00	305	5.04	128



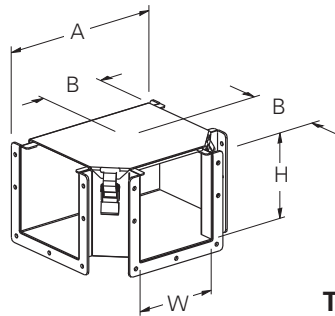
45° Elbow, Outside Opening
• includes (1) sealing plate kit

Catalog Number	Size	H		W		A	
		in.	mm	in.	mm	in.	mm
22-12LE45C	2.5 x 2.5	2.50	64	2.50	64	2.65	67
44-12LE45C	4 x 4	4.00	102	4.00	102	3.51	89
66-12LE45C	6 x 6	6.00	152	6.00	152	3.91	99
88-12LE45C	8 x 8	8.00	203	8.00	203	4.24	108
126-12LE45C	12 x 6	6.00	152	12.00	305	3.91	89



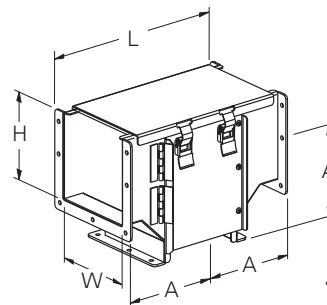
15° Elbow, Top Opening
• includes (1) sealing plate kit

Catalog Number	Size	H		W		A	
		in.	mm	in.	mm	in.	mm
22-12LE15A	2.5 x 2.5	2.50	64	2.50	64	2.57	65
44-12LE15A	4 x 4	4.00	102	4.00	102	2.77	70
66-12LE15A	6 x 6	6.00	152	6.00	152	3.03	77
88-12LE15A	8 x 8	8.00	203	8.00	203	3.29	84
126-12LE15A	12 x 6	6.00	152	12.00	305	3.81	97



Tee, Top Opening
• includes (2) sealing plate kits

Catalog Number	Size	H		W		A		B	
		in.	mm	in.	mm	in.	mm	in.	mm
22-12LTA	2.5 x 2.5	2.50	64	2.50	64	8.00	203	4.00	102
44-12LTA	4 x 4	4.00	102	4.00	102	9.50	241	4.75	121
66-12LTA	6 x 6	6.00	152	6.00	152	11.50	292	5.75	146
88-12LTA	8 x 8	8.00	203	8.00	203	13.50	343	6.75	171
126-12LTA	12 x 6	6.00	152	12.00	305	17.50	445	8.75	222



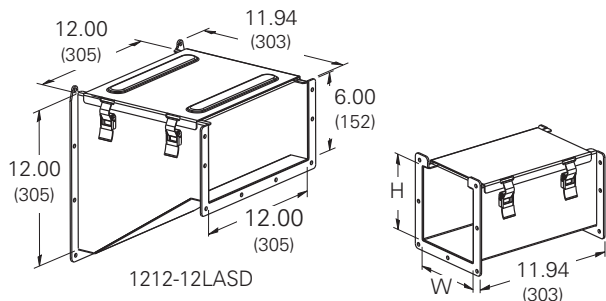
Tee, Outside Opening
• includes (2) sealing plate kits

Catalog Number	Size	H		W		A		L	
		in.	mm	in.	mm	in.	mm	in.	mm
22-12LTC	2.5 x 2.5	2.50	64	2.50	64	4.69	119	9.38	238
44-12LTC	4 x 4	4.00	102	4.00	102	5.44	138	10.88	264
66-12LTC	6 x 6	6.00	152	6.00	152	6.44	164	12.88	314
88-12LTC	8 x 8	8.00	203	8.00	203	7.44	189	14.88	365

Notes: Dimensions are in inches. Millimeters shown are for reference only. Data subject to change without notice.

Lay-In Wireway Type 12

Illustration Sheet and Catalog Number



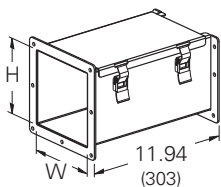
1212-12LASD

Adapters

- includes (2) sealing plate kits

Catalog Number	Size	Competitor	H		W	
			in.	mm	in.	mm
22-12LAHW	2.5 x 2.5	Hoffman ^{®†} or Wiegmann ^{®†}	2.50	64	2.50	64
44-12LAHW	4 x 4		4.00	102	4.00	102
66-12LAHW	6 x 6		6.00	152	6.00	152
88-12LAHW	8 x 8		8.00	203	8.00	203
126-12LAHW	12 x 6		6.00	152	12.00	305
22-12LASD	2.5 x 2.5	Square D ^{®†}	2.50	64	2.50	64
44-12LASD	4 x 4		4.00	102	4.00	102
66-12LASD	6 x 6		6.00	152	6.00	152
88-12LASD	8 x 8		8.00	203	8.00	203
126-12LASD	12 x 6		6.00	152	12.00	305
22-12LAHM	2.5 x 2.5	Hammond Mfg. ^{™†}	2.50	64	2.50	64
44-12LAHM	4 x 4		4.00	102	4.00	102
66-12LAHM	6 x 6		6.00	152	6.00	152
88-12LAHM	8 x 8		8.00	203	8.00	203
126-12LAHM	12 x 6		6.00	152	12.00	305

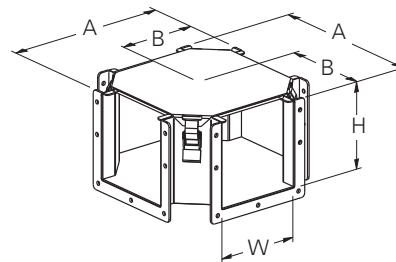
† Marks are the property of their respective owners.



Lay-In to Feed Through Adapter

- includes (1) sealing plate kit and (1) gasket kit

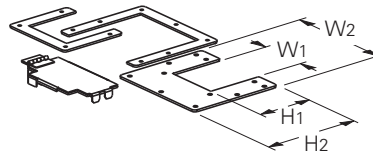
Catalog Number	Size	H		W	
		in.	mm	in.	mm
44-12LAFW	4 x 4	4.00	102	4.00	102
66-12LAFW	6 x 6	6.00	152	6.00	152
88-12LAFW	8 x 8	8.00	203	8.00	203



Cross, Top Opening

- includes (3) sealing plate kits

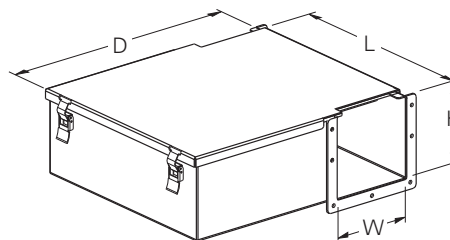
Catalog Number	Size	H		W		A		B	
		in.	mm	in.	mm	in.	mm	in.	mm
22-12LC	2.5 x 2.5	2.50	64	2.50	64	8.00	203	4.00	102
44-12LC	4 x 4	4.00	102	4.00	102	9.50	241	4.75	121
66-12LC	6 x 6	6.00	152	6.00	152	11.50	292	5.75	146
88-12LC	8 x 8	8.00	203	8.00	203	13.50	343	6.75	171
126-12LC	12 x 6	6.00	152	12.00	152	17.50	445	8.75	222



Reducer

- includes hardware

Catalog Number	Size	H1		H2		W1		W2	
		in.	mm	in.	mm	in.	mm	in.	mm
4422-12LR	4 x 4 to 2.5 x 2.5	2.44	62	4.82	122	2.38	60	5.64	143
6644-12LR	6 x 6 to 4 x 4	3.94	100	6.82	173	3.88	99	7.64	194
8866-12LR	8 x 8 to 6 x 6	5.94	151	8.82	224	5.88	149	9.64	245
12644-12LR	12 x 6 to 4 x 4	3.94	100	6.82	173	3.88	99	13.64	346
12666-12LR	12 x 6 to 6 x 6	5.94	151	6.82	173	5.88	149	13.64	346



Junction Box

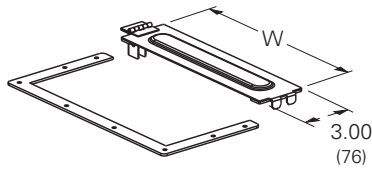
- includes (1) junction box sealing plate kit and (1) of the following removable panels:

- 22-12LJB = AW108P
- 44-12LJB = AW1210P
- 66-12LJB = AW1412P
- 88-12LJB = AW1614P

Catalog Number	Size	H		W		L		D	
		in.	mm	in.	mm	in.	mm	in.	mm
22-12LJB	2.5 x 2.5	2.50	64	2.50	64	11.59	294	10.25	260
44-12LJB	4 x 4	4.00	102	4.00	102	13.59	345	14.00	356
66-12LJB	6 x 6	6.00	152	6.00	152	15.59	396	18.00	457
88-12LJB	8 x 8	8.00	203	8.00	203	17.59	447	22.00	559

Notes: Dimensions are in inches. Millimeters shown are for reference only. Data subject to change without notice.

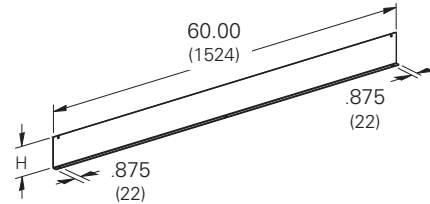
Lay-In Wireway Type 12 Illustration Sheet and Catalog Number



Sealing Plate, Flat

- includes hardware

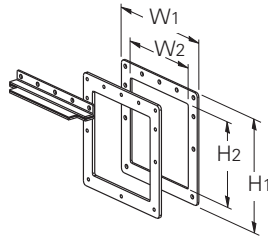
Catalog Number	Size	W in. mm
22-12LSP	2.5 x 2.5	2.50 64
44-12LSP	4 x 4	4.00 102
66-12LSP	6 x 6	6.00 152
88-12LSP	8 x 8	8.00 203
126-12LSP	12 x 6	12.00 305



Barrier, Bolt-On

- includes hardware

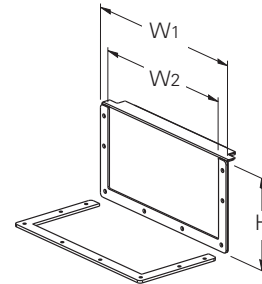
Catalog Number	Size	H in. mm
22-12BK	2.5 x 2.5	1.88 48
44-12BK	4 x 4	3.00 76
66-12BK	6 x 6	4.50 114
88-12BK	8 x 8	6.00 152
66-12BK	12 x 6	4.50 114



Box Connector

- includes hardware

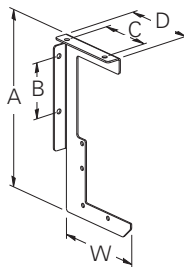
Catalog Number	Size	H1 in. mm	H2 in. mm	W1 in. mm	W2 in. mm
22-12LBC	2.5 x 2.5	4.10 104	2.35 60	4.10 104	2.35 60
44-12LBC	4 x 4	5.74 146	3.85 72	5.74 146	3.85 72
66-12LBC	6 x 6	7.74 197	5.85 123	7.74 197	5.85 123
88-12LBC	8 x 8	9.74 247	7.85 174	9.74 247	7.85 174
126-12LBC	12 x 6	7.74 197	5.85 123	13.74 197	11.85 301



Closure Plate

- includes hardware

Catalog Number	Size	H in. mm	W1 in. mm	W2 in. mm
22-12LCP	2.5 x 2.5	2.50 64	4.00 102	2.50 64
44-12LCP	4 x 4	4.00 102	5.64 143	4.00 102
66-12LCP	6 x 6	6.00 152	7.64 194	6.00 152
88-12LCP	8 x 8	8.00 203	9.64 245	8.00 203
126-12LCP	12 x 6	6.00 152	13.64 346	12.00 305

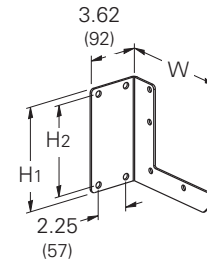


Drop

Catalog Number	Size	W in. mm	A in. mm	B in. mm	C in. mm	D in. mm
22-12LDH	2.5 x 2.5	4.50 114	8.75 222	1.50 38	1.50 38	3.50 89
44-12LDH	4 x 4	6.00 152	11.75 298	3.00 76	3.00 76	5.00 127
66-12LDH	6 x 6	8.50 216	16.00 406	5.00 127	5.00 127	7.00 178
88-12LDH	8 x 8	10.50 267	20.00 508	7.00 178	7.00 178	9.00 229

Wireway Hangers

- includes wireway to bracket mounting hardware
- anchors not included



Bracket

Catalog Number	Size	H1 in. mm	H2 in. mm	W in. mm
22-12LBH	2.5 x 2.5	3.38 86	2.50 64	4.38 111
44-12LBH	4 x 4	4.88 124	4.00 102	5.88 149
66-12LBH	6 x 6	7.13 181	6.25 159	8.13 207
88-12LBH	8 x 8	9.13 232	8.25 210	10.13 257

Notes: Dimensions are in inches. Millimeters shown are for reference only. Data subject to change without notice.