

Electrical enclosures





We make what matters work.*

* At Eaton, we believe that power is a fundamental part of just about everything people do. That's why we're dedicated to helping our customers find new ways to manage electrical, hydraulic and mechanical power more efficiently, safely and sustainably. To improve people's lives, the communities where we live and work, and the planet our future generations depend upon. Because this what really matters. And we're here to make sure it works.

EATON
Powering Business Worldwide

To learn more go to: [Eaton.com/whatmatters](https://www.eaton.com/whatmatters)

We make what matters work.

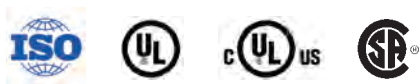
Quality products

Since 1946, Eaton has offered quality B-Line series enclosures and wireway. Through significant capital investment, our state of the art US manufacturing facility produces to world class standards intended to exceed our customers' expectations.



Enclosures
Manufacturing Facility
Sherman, Texas

- ISO 9001:2008 Certified
- 300,000 Square Foot Facility
- 300+ Employees
- In-House Product Design and Testing Capabilities
- Flexible Manufacturing Systems
- Poured in Place Foam Gaskets
- Aesthetic Finishing Capabilities
- Advanced Powder Paint Systems



Introduction

Enclosures you want – when you need them

At Eaton, we offer solutions to meet our customer requirements. From standard stock product to modified and custom B-Line series enclosures, our Enclosure Experts are available to help you choose the enclosures you want, in the time you need them.



Enclosure product groups



Wireway



Type 1



Type 3R

Enclosure product groups



Type 12/13



Type 4



Type 4X



Type 4X Fiberglass



Disconnects



Operator Enclosures



Consoles & Consolelets



Thermal Products



Modified Enclosures



Accessories

Introduction

Ease of doing business

With employees dedicated to customer service, we measure our success by exceeding expectations. From ease of quotes and orders to on-time delivery, we aren't satisfied until you are satisfied. We understand that customers rely on the manufacturer to provide support before, during, and after the sale. That's why we have a staff of employees and a tool set dedicated to supporting the needs of our enclosure customers.

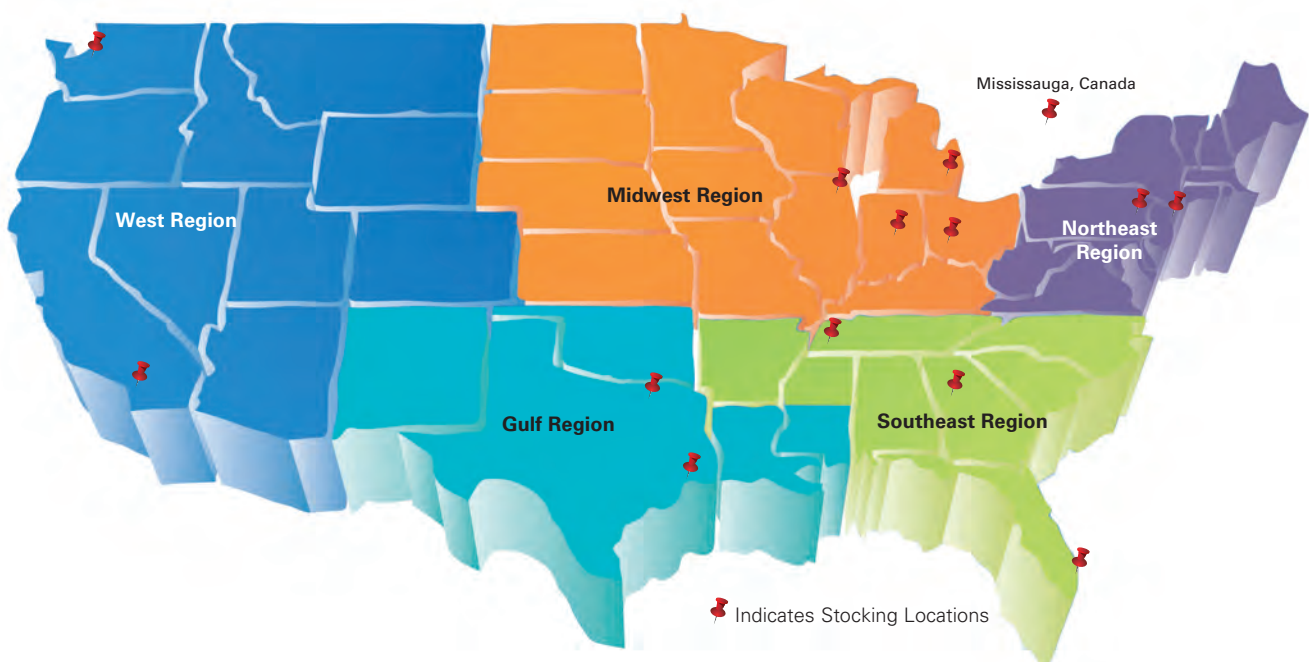
- Enclosure Sales Managers
- Enclosure Quotes Specialists
- Engineering Design Specialists
- User-Friendly Catalogs
- Modification Form
- Product Flyers
- Time Studies
- Sizing Calculators
- CAD Files
- EDI & VMI
- Distributor Portal



For more information, visit www.eaton.com/enc

Standard Stocked Enclosures

Eaton strategically stocks standard industrial and commercial B-Line series enclosures to provide the best possible availability to meet customers' expectations.



Modified Enclosures

If your business requires enclosures that have push button holes, special paint, modified dimensions and other special requirements for industrial and commercial applications, then you need a manufacturer that can deliver enclosures to meet your specific requirements in time for your project. Eaton offers thousands of B-Line series enclosure designs that can be altered to meet your requirements and delivered in the time you need. For more information, visit www.eaton.com/modified.

- Thousands of Sizes Available
- Various Materials and Finishes
- Standard and Special Paint Options
- Options for Push Button Holes, Cut Outs, Tapped Holes, Louvers and More
- Accessories including Window Kits, PEM Studs, Panels and More



Custom Enclosures

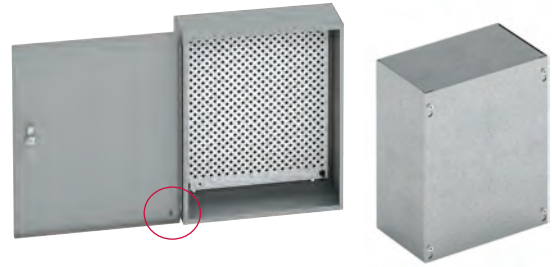
If your business requires more than a stock or modified enclosure, Eaton's enclosure experts partner with customers to engineer unique designs to meet project requirements. We assist customers before, during and after the sale to deliver the enclosures you want, when you need them. For more information, contact our Enclosure Experts at EnclosuresTeam@eaton.com or 800-868-8152.

- Specialized Sales, Quotes and Engineering Resources
- Design Support
- Prototype Support
- In-House Testing Capabilities





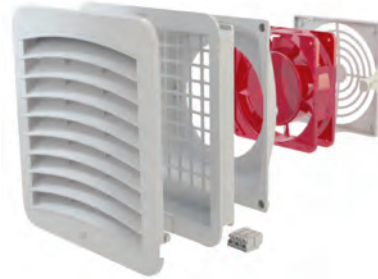
**Type 12, 4, & 4X Large
Ground Mount Enclosure Upgrades**
(throughout catalog)



**Ground Stud Provision
& Hardware Additions**
(throughout catalog)



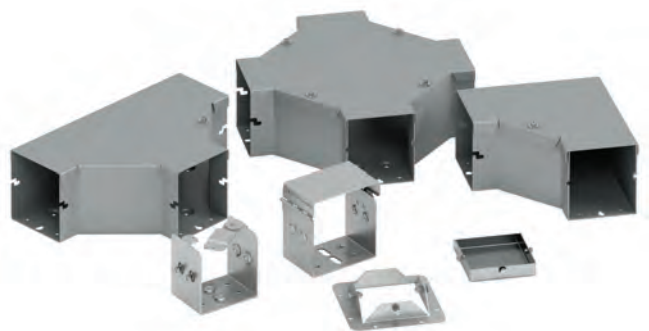
**UL Type 4X Listed
Pushbutton Enclosures**
(pages 342 - 345)



**Thermal Additions
Air Conditioning & Fans**
(pages 375 - 398)



**Accessories Additions
LED Lights, Door Switches,
Handles**
(throughout accessories section)



EnviroShield™ Type 3R Wireway
(pages 21 - 24)

Enclosures You Want, When You Need Them

We are excited to announce the improved B-Line series electrical enclosure website that is dedicated to our full line of industrial and commercial B-Line series enclosures. The improved site is easier to navigate and includes the key tools and literature tied to helping you find the enclosures you want; in the time you need them.

And now, you can access all of our industrial and commercial enclosures, as well as wireway products, in CoSPECSM, our CAD, BIM, PDMS, and Graphics catalog. CoSPEC allows you to select, view and download native design content in nearly 100 different formats.

Log on today to see the latest enclosure information at www.eaton.com/enc

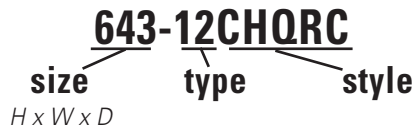
The screenshot displays the B-Line website interface. At the top left is the logo "B-Line by EATON". Below it is a navigation menu with tabs for "COOPER" and "B-LINE", and a main menu with "ABOUT US", "PRODUCTS", "SOLUTIONS", "MARKETS", "BRANDS", and "RESOURCES". A breadcrumb trail reads "Cooper Industries > B-Line > Products > Electrical Enclosures & Wireway". On the left is a search box with a "SEARCH" button and a link to "Advanced Search". The main content area features the heading "Electrical Enclosures & Wireway" above an image of a grey metal enclosure. To the right is a "CoSPEC" section, described as a "Specifier center to select, view and download engineering data and drawings for B-Line products in up to 100 different formats." Below this is another heading "Enclosures You Want – When You Need Them" with a sub-heading "At B-Line, we offer solutions to meet our customer requirements. From standard stock product to modified and custom enclosures, our Enclosure Experts are available to help you choose the enclosures you want – when you need them." A list of links includes "Show all", "Hide all", and several expandable sections: "+ About Cooper B-Line Enclosures", "+ What's New in NEMA Enclosures at Cooper B-Line", "+ Technical Information & Product Selection Tools", "+ Literature & Resources", and "+ Enclosure & Wireway Product Overview". A "COSPEC SPECIFIER CENTER" section follows, explaining the goal of providing design and engineering resources and describing the CoSPEC tool's capabilities. A link "Visit CoSPEC Specifier Center" is provided. At the bottom is a "SEARCH PRODUCTS" section with a dropdown menu labeled "Select from the following product attributes..." and a checkmark icon.

Catalog Numbering Legend

Catalog Numbering Legend

our catalog numbering system for industrial and commercial enclosures and wireway is a logical, easy-to-use system. It was developed so our customers could easily order or find a catalog number. Referenced in each catalog number is the size, type designation, and style. See pages vii, viii, and ix for the full catalog numbering legend.

Industrial Enclosures



Enclosure Size Listed left of dash (-)

Enclosure Type Immediately follows dash (-)

1	Type 1
4	Type 4
4X	Type 4X
12	Type 12
12F	Type 12 Fiberglass
4XA	Type 4X Aluminum
4XF	Type 4X Fiberglass
4XS	Type 4X Type 304 SS
4XSS6	Type 4X Type 316L SS

Enclosure Style Immediately follows Type designation

3PT	3-Point Locking
CD (as a prefix)	Center Mounted Disconnect Enclosure
CHC	Continuous Hinge Cover
CHQRC	Continuous Hinge Quick-Release Cover
CHSC	Continuous Hinge Screw Cover
D	Double-Door
D3PT	Double-Door w/ 3-Point Locking
DA	Dual-Access
ES (as a prefix)	EnviroShield, Free Standing
FD (as a prefix)	Flange Mounted Disconnect Enclosure
FTC	Flange Trough Collar
FD	Floor-Standing, Double-Door
FD3PT	Floor-Standing, Double-Door w/ 3-Point Locking
FDQT	Floor-Standing, Double-Door w/ Quarter-Turn Latches
FS	Free-Standing
FS3PT	Free-Standing w/ 3-Point Locking
FSD	Free-Standing, Double-Door
FSD3PT	Free-Standing, Double-Door w/ 3-Point Locking
FSDA3PT	Free-Standing, Dual-Access w/ 3-Point Locking
FSDDA	Free-Standing, Double-Door, Dual-Access
FSDDA3PT	Free-Standing, Double-Door, Dual-Access w/ 3-Point Locking

FSDA	Free-Standing, Dual-Access
FSQT	Free-Standing, Double-Door w/ Quarter-Turn Latches
LC	Lift-Off Cover
M (as a prefix)	Modular
QT	Quarter Turn Latches
SC	Screw Cover
TE	Terminal Enclosure

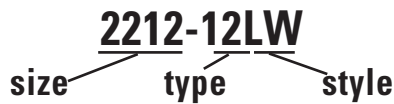
Fiberglass Enclosure Style Immediately follows Type designation

CHSC	JIC Hinge Cover w/ Two Screws
CHQRC	JIC Hinged Cover w/ Quick Release Pad Lockable Latches
CHQRCW	JIC Hinged Cover (Window) w/ Quick-Release Pad Lockable Latches
D	Double Door Wallmount
FS	Free Standing Single Door
FSD	Free Standing Double Door
LC	JIC Lift-Off Screw Cover
PB__	Multi-Hole Pushbutton Enclosure
PV__	Vertical In-Line Pushbutton Enclosure
RHCF	Type 3R Panel Enclosure
SC	Small Junction Box
SDF	Premier Series Hinge Cover w/ Two Screws
SDFQR	Premier Series Hinge Cover w/ Quick-Release Pad Lockable Latches
SDFQRCC	Premier Series Clear Cover w/ Quick-Release Pad Lockable Latches

Premier Enclosure Style Immediately follows Type designation

DSC	Single-Door Disconnect
FM	Flush-Mount
SD	Single-Door
SDSS4	Single-Door Type 304 SS
SDSS6	Single-Door Type 316L SS
SDW	Single-Door w/ Window
SDWSS4	Single-Door w/ Window Type 304 SS
TD	Double-Door

Industrial Wireway



Wireway Size Listed left of dash (-)

Wireway Type Immediately follows dash (-)

12	NEMA 12
4X	NEMA 4X
4XS	NEMA 4X Type 304 Stainless Steel

Wireway Styles Immediately follows Type designation

FW	Feed-Through Wireway
LW	Lay-In Wireway
WT	Wiring Trough

Lay-In Wireway Fittings

LAHM	Adapter for Hammond [†] Mfg.
LAHW	Adapter for Hoffman [†] or Wiegmann [†]
LARR	Adapter for Robroy [†] or Rittal [†]
LASD	Adapter for Square D [†]
BK	Barrier Kit
C	Coupling
LBC	Box Connector
LBH	Hanger, Bracket
LC	Cross, Top Open
LCF	Cut-Off Fitting/Lay-in Style
LCP	Closure Plate
LDH	Hanger, Drop
LE9A	90° Elbow, Top Open
LE9AC	90° Elbow, Outside-Top Open
LE9B	90° Elbow, Inside Open
LE9C	90° Elbow, Outside Open
LE9TC	90° Transposition Elbow, CW
LE9TCC	90° Transposition Elbow, CCW
LE15A	15° Elbow, Top Open
LE45A	45° Elbow, Top Open
LE45B	45° Elbow, Inside Open
LE45C	45° Elbow, Outside Open
LJB	Junction Box
LN1	1" Nipple
LN2	2" Nipple
LN3	3" Nipple
LR	Reducer
LSP	Sealing Plate, Flat
LTA	Tee, Top Open
LTF	Telescopic Fitting
LTSC	Transposition, Clockwise
LTSCC	Transposition, Counter Clockwise

[†] Marks shown are property of respective owners.

Feed-Through Fittings

BH	Hanger, Bracket
BK	Barrier Kit
DH	Hanger, Drop
FBC	Box Connector
FC	Cross
FCF	Cut-Off Fitting
FCP	Closure Plate
FE9	90° Elbow
FE45	45° Elbow
FFF	Flexible Fitting
FGK	Gasket Kit
FN1	1" Nipple
FN2	2" Nipple
FN3	3" Nipple
FN6	6" Nipple
FRC	Reducer Center
FRE	Reducer Edge
FT	Tee
FTF	Telescopic Fitting

Commercial Wireway



Wireway Size Listed First

Screw Cover Wireway Style Follows Size designation

G	Type 1 Screw Cover Wireway
GGV	Type 1 Screw Cover Wireway Galvanized

Screw Cover Wireway Fittings

C	Wireway Connector
E	Wireway End
FH	Wireway Hanger
FL	Hinged Elbow
FR	Wireway Reducer
FTF	Telescopic Fitting
GF	Wireway End Flange
L	Elbow
L SWEEP	Sweep Elbow
LTX	Elbow-Tee-Cross
T	Wireway Tee
X	Wireway Cross

Catalog Numbering Legend

Commercial Wireway cont.

Hinge Cover Wireway Style Follows Size designation

3RHS	EnviroShield™ Type 3R Wireway, Painted
3RAHS	EnviroShield™ Type 3R Wireway, Aluminum
HS	Type 1 Quick-Connect Hinge Cover Wireway

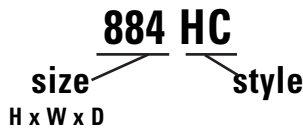
Hinge Cover Wireway Fittings

HSA	Wireway Connector - Adapter
HSC	Wireway Connector
HSE	Wireway End
HSF	Wireway End Flange
HSL	45° Elbow
HSL	90° Elbow
HST	Wireway Tee
HSU	Wireway Connector - Universal
HSX	Wireway Cross

Wire Trough Style Follows Size designation

GRT	Type 3R Screw Cover Wireway, Painted
GRTGV	3R Screw Cover Wireway, Galvanized
GTGV	Type 1 Wiring Trough, Galvanized

Commercial Enclosures



Enclosure Size Listed First

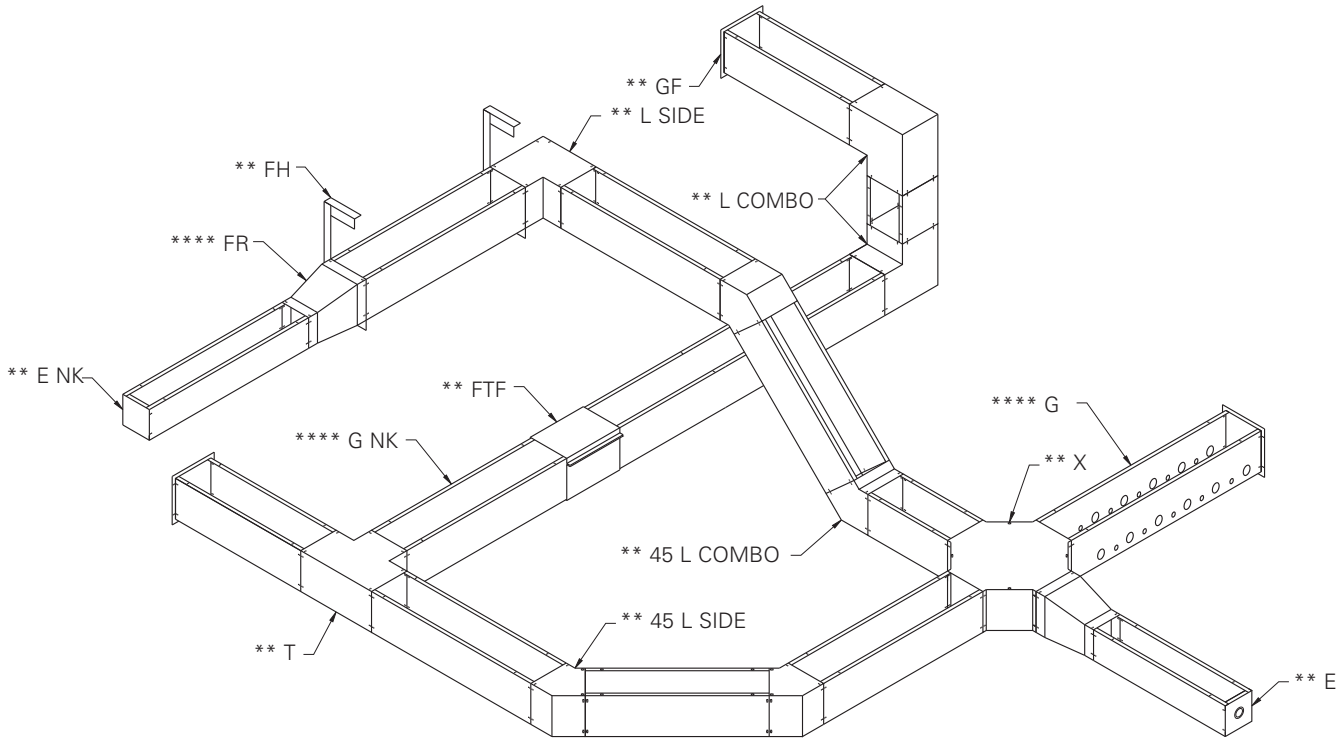
Enclosure Style Follows Size designation

DRHC	Type 3R Double-Door Hinge Cover
HC	Type 1 Hinge Cover
HC NK	Type 1 Hinge Cover No Knockouts
HRTCT	Type 3R Current Transformer Hinge Cover
P	Type 1 Locking Enclosure with Perforated Panel
RHC	Type 3R Hinge Cover
RTC	Type 3R Telephone Termination Cabinet
RTCT	Type 3R Current Transformer Screw Cover
RTHC	Type 3R Hinge Cover
RTHC NK	Type 3R Hinge Cover No Knockouts
RTSC	Type 3R Screw Cover
RTSCGV	Type 3R Screw Cover Galvanized
RTSCGV NK	Type 3R Screw Cover Galvanized No Knockouts
RTSC NK	Type 3R Screw Cover No Knockouts
SC	Type 1 Screw Cover
SCG	Type 3 Gasketed Screw Cover
SCGV	Type 1 Screw Cover Galvanized
SCGV NK	Type 1 Screw Cover Galvanized No Knockouts
SC NK	Type 1 Screw Cover No Knockouts
TCF	Type 1 Telephone Termination Cabinet/Flush Mount
TCS	Type 1 Telephone Termination Cabinet/Surface Mount
WPSC	Type 3 Screw Cover

Accessories

AHP	Adjustable Hinge Panel Kit
AMK	Adjustable Mounting Kit
APK	Adjustable Panel Kit
AP	Aluminum Panel
BAP	Blank Adapter Plate
BK	Barrier Kit
BP	Baffle Plate
DF	Dead Front Panel
DK	Drop Shield Kit
DSTOPK	Door Stop Kit
EH	External Hinge
ES	Enclosure Stabilizer
FAS	Filter Adhesive Spray
FLT	Filters
FLWK	Frameless Window Kit
FSHELF	Folding Shelf Kit
GP	Galvanized Panel
GP	Gland Plates
HWK	Hinged Window Kits
IC	Inspection Cover
JICSPK	JIC Swing Panel Kit
KL	Keyed Lock
LPK	Louver Plate Kits
MC	Mounting Channels
MMF	Modular Mounting Frame
NSPK	NEMA Swing Panel Kit
P	Panel
PF	Fiberglass Panel
PCK	Panel Conversion Kit
PLH	Panel Lifting Hooks
PMK	Pole Mounting Kits
PS	Panel Support Kit
PP	Perforated Panel
PWK	Plexiglass Window Kit
QRCS	Quick-Release Cover Screw
RMA	Rack Mounting Angles
SCS	Slotted Cover Screw
SF	Swing-Out Rack Frames
SL	Standard Latch
SP	Sealing Plate
SP	Stainless Panel
SP	Swing-Out Panel
TB	Terminal Block
TS	Terminal Strap
TSK	Terminal Strap Support Kit
WB	Wood Back Board
WMHK	Wall-Mount Handle, Key Locking
WMHNL	Wall-Mount Handle, Non-Locking
WMHPTO	Wall-Mount Handle, Padlockable
WMK	Wall Mounting Kit





This drawing is for illustration purposes only. It depicts how most B-Line series Type 1 screw cover wireway straight sections and fittings could be used in an actual wireway run. Covers have been omitted in many instances to more clearly show the lay-in feature. Straight sections and fittings can be combined in many different configurations to accommodate any wiring application. The nomenclature depicts Type 1 screw cover wireway in ANSI 61 gray painted steel. In addition, we also offer Type 1 galvanized screw cover wireway, Type 1 Quick-Connect hinge cover wireway, Type 3R wireway, NEMA 12 and NEMA 4/4X feed-through wireway, and NEMA 12 lay-in wireway.

NOMENCLATURE

**** FR	Reducer	** GF	End flange
**** G	Straight section with knockouts	** L COMBO	90° Elbow combo opening
**** G NK	Straight section without knockouts	** L SIDE	90° Elbow side opening
** E	End with knockouts	** 45 L COMBO	45° Elbow combo opening
** ENK	End without knockouts	** 45 L SIDE	45° Elbow side opening
** FH	Hanger	** T	Tee
** FTF	Telescopic fitting	** X	Cross

**** Specify height x depth x length

** Specify height x depth

Type 4 Panel Enclosures I

A Wall-Mount Enclosures Type 4 Double-Door with 3-Point Locking Data Sheet and Catalog Number



E Accessories

- Panels
- Window Kits
- Floor stand kit
- Lights
- Replacement handle, T4PKHB, (see page 426)

F Construction

- Enclosure and door are fabricated from (14) gauge steel
- All continuous welded seams are finished smooth
- Heavy-duty continuous hinges with stainless steel hinge pins
- Internal 3-point latching with keylocking and padlock handles
- Removable centerpost for easy panel installation
- Doors have a seamless poured in-place gasket
- Formed lip around enclosure opening diverts liquids and contaminants
- Ground stud provided on door and body
- Print pocket provided
- .375-16 colar studs are provided for mounting optional panel
- External mounting feet

B Application

- Houses electrical controls and instruments
- Intended for indoor or outdoor use
- Protects against windblown dust and rain, splashing water and hose directed water

C Standards

- UL 508 listed, Type 4, 12
- CSA C22.2 No.94 certified, Type 4, 12
- Conforms to NEMA standard for Type 3, 4, 12

D Finish

- Wash and phosphate undercoat
- ANSI 61 gray polyester powder finish

Discount Schedule: C2

Subclass: D10

Enclosure Catalog Number	Enclosure Size Height x Width x Depth A x B x C		Panel Catalog Number	Conductive Panel Catalog Number	Panel Size Height x Width	
	in.	mm			in.	mm
244210-4D3PT	24.00 x 42.00 x 10.00	609 x 1067 x 254	AW4224P	--	38.87 x 20.87	987 x 530
304210-4D3PT	30.00 x 42.00 x 10.00	762 x 1067 x 254	AW4230P	AW4230GP	38.87 x 26.87	987 x 682
304810-4D3PT	30.00 x 48.00 x 10.00	762 x 1219 x 254	AW4830P	AW4830GP	44.87 x 26.87	1139 x 682
306010-4D3PT	30.00 x 60.00 x 10.00	762 x 1524 x 254	AW6030P	--	56.87 x 26.87	1444 x 682
364812-4D3PT	36.00 x 48.00 x 12.00	914 x 1219 x 305	AW4836P	AW4836GP	44.87 x 32.87	1139 x 835
366012-4D3PT	36.00 x 60.00 x 12.00	762 x 1524 x 305	AW6036P	AW6036GP	56.87 x 32.87	1444 x 835

Notes: We can provide special sizes, finishes and other modifications. Consult the factory for your special requirements.

Eaton

164

B-Line series electrical enclosures

A - Product Group & Type

B - Application Information

C - Applicable Standards

D - Finish Information

E - Optional Accessories

F - Construction Specification Bullets

G - Discount Schedule & Subclass

H - Catalog Number & Product Data

I - Catalog Section

J - Tab - Color & Catalog Section

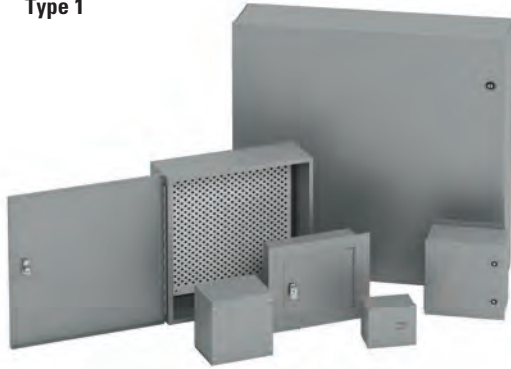
K - Page Number



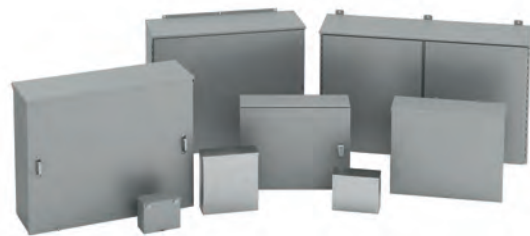
WIREWAY

Wireway	Lay-In Wireway Type 1 Screw Cover	8-14
	Lay-In Wireway Type 1 Quick-Connect Hinge Cover	15-20
	Lay-In Wireway Type 3R EnviroShield™ System	21-24
	Lay-In Wireway Type 12	25-31
Wire Trough	Feed-Through Wireway Type 12	32-35
	Feed-Through Wireway Type 4X	36-39
	Wiring Trough Type 1 Screw Cover	40-41
	Wiring Trough Type 3R Screw Cover	42-43
	Wiring Trough Type 12 Lift-Off Cover	44-45
	Wiring Trough Type 4X Lift-Off Cover	46-47

Type 1



Type 3/3R



TYPE 1, 3, & 3R ENCLOSURES

Junction Boxes	Junction Boxes Type 1 Screw Cover	50-53	
	Junction Boxes Type 1 Hinge Cover	54-55	
	Junction Boxes Type 3R Screw Cover	56-57	
	Junction Boxes Type 3R Hinge Cover	58-59	
	Junction Boxes Type 3 Screw Cover Gasketed	60-61	
Panel Enclosures	Junction Boxes Type 3 Weatherproof Screw Cover	62-63	
	Panel Enclosures Type 1 Small	64-65	
	Panel Enclosures Type 1 Medium	66-67	
	Panel Enclosures Type 1 Large	68-69	
	Panel Enclosures Type 1 Locking Hinge Cover w/Perforated Panel	70-71	
	Panel Enclosures Type 3R Small Continuous Hinge Cover	72-73	
	Panel Enclosures Type 3R Large Continuous Hinge Cover	74-75	
	Panel Enclosures Type 3R Double-Door	76-77	
	Utility Enclosures	Utility Cabinets Type 1 Telephone Cabinets	78-80
		Utility Cabinets Type 3R Telephone Cabinets	81-82
Utility Cabinets Type 3R Screw Cover Current Transformer Cabinets		83-85	
Utility Cabinets Type 3R Hinge Cover Current Transformer Cabinets		86-87	

Table of Contents



TYPE 12/13 ENCLOSURES

JIC Enclosures	Type 12 Lift-Off Cover	90-91	
	Type 12 Continuous Hinge Cover	92-93	
	Type 12 Screw Cover	94-95	
	Type 12 Continuous Hinge Screw Cover	96-97	
	Type 12 Continuous Hinge Quick-Release Cover	98-99	
	Type 12 Large Continuous Hinge Screw Cover	100-101	
	Type 12 Continuous Hinge Flanged Trough Cover	102-103	
	Wall-Mount Enclosures	Type 12 Single-Door	104-107
		Type 12 Terminal	108-109
		Type 12 Double-Door 3-Point Locking	110-111
Ground-Mount Enclosures	Type 12 Double-Door Floor-standing 3-Pt Locking	112-113	
	Type 12 Double-Door Free-Standing 3-Point Locking	117-116	
	Free-Standing Enclosure Accessories	117-125	
	Type 12 Modular Free-Standing 3-Point Locking ..	126-129	
	Type 12 Multi-Door Free-Standing 3-Point Locking	130-133	



TYPE 4 ENCLOSURES

JIC Enc.	Type 4 Lift-Off Cover	136-137
	Type 4 Continuous Hinge Cover	138-139
	Type 4 Continuous Hinge Cover Quarter-Turn Latches	140-141
Wall-Mount Enclosures	Type 4 Single-Door	142-144
	Type 4 Premier™ Series Quarter-Turn Latches	145-149
	Type 4 Premier™ Series Flush-Mount Quarter-Turn Latches	150-151
	Type 12 Premier™ Series Double-Door Quarter-Turn Latches	152-153
	Premier™ Series Accessories	154-159
	Type 4 Single-Door 3-Point Locking	160-161
	Type 4 Double-Door 3-Point Locking	162-163
Ground-Mount Enclosures	Type 4 Double-Door Floor-Standing	164-165
	Type 4 Double-Door Floor-Standing Quarter-Turn Latches	166-167
	Type 4 Double-Door Floor-Standing 3-Point Locking	168-169
	Type 4 Single-Door Free-Standing	170-171
	Type 4 Single-Door Free-Standing Quarter-Turn Latches	172-173

continued on page 3



TYPE 4 ENCLOSURES continued from page 2

Ground-Mount Enclosures	Type 4 Single-Door Free-Standing 3-Point Locking	174-175
	Type 4 Single-Door Dual-Access Free-Standing 3-Point Locking	176-177
	Type 4 EnviroShield™ Free-Standing 3-Point Locking	178-179
	Free Standing Enclosure Accessories	180-191



TYPE 4X ENCLOSURES

JIC Enclosures	Type 4X Lift-Off Cover	192-193
	Type 4X Lift-Off Cover, Aluminum	194-195
	Type 4X Continuous Hinge Cover	196-197
	Type 4X Continuous Hinge Cover, Aluminum	198-199
Wall-Mount Enclosures	Type 4X Continuous Hinge Cover Quarter-Turn Latches	200-201
	Type 4X Single-Door	202-203
	Type 4X Single-Door, Aluminum	204-205
	Type 4X Premier™ Quarter Turn Latches	206-209
	Premier™ Series Accessories	210-215
Ground-Mount Enclosures	Type 4X Single-Door 3-Point Locking	216-217
	Type 4X Double-Door 3-Point Locking	218-219
	Type 4X Double-Door Floor-Standing	220-221
	Type 4X Double-Door Floor Standing, Aluminum ..	222-223
	Type 4X Double-Door Floor-Standing Quarter-Turn Latches	224-225
	Type 4X Double-Door Floor-Standing 3-Point Locking	226-227
	Type 4X Single-Door Free-Standing	228-229
	Type 4X Single-Door Free-Standing Quarter-Turn Latches	230-231
	Type 4X Single-Door Free-Standing 3-Point Locking	232-233
	Type 4X Single-Door Dual Access Free-Standing 3-Point Locking	234-235
	Type 4X Double-Door Free-Standing 3-Point Locking	236-237
	Type 4X Double-Door Dual Access Free-Standing 3-Point Locking	238-239
	Type 4X Double-Door EnviroShield™ Free-Standing 3-Point Locking	240-241
	Free-Standing Accessories	242-254

Table of Contents



TYPE 4X FIBERGLASS ENCLOSURES

JIC Enclosures	Type 4X Lift-Off Screw Cover	256-257	
	Type 4X Hinged Screw Cover	258-259	
	Type 4X Hinged Quick-Release Cover	260-261	
	Type 4X Hinged Quick-Release Window Cover	262-263	
	Type 4X Premier™ Series Hinged Screw Cover	264-265	
	Type 4X Premier™ Series Hinged Quick-Release Cover	266-267	
	Type 4X Premier™ Series Hinged Quick-Release Clear Cover	268-269	
	Type 4X Small Junction	270-273	
	Wall-Mount Enclosures	Type 3R Continuous Hinge Cover	274-275
		Type 4X Single-Door	276-277
Type 4X Double-Door		278-279	
Ground Mount	Type 4X Free-Standing Single-Door	280-281	
	Type 4X Free-Standing Double-Door	282-283	
Pushbutton Enc.	Type 4X In-Line 30mm Pushbutton	284-285	
	Type 4X In-Line 22mm Pushbutton	286-287	
	Type 4X Multi-Hole 30mm Pushbutton	288-289	
	Fiberglass Back Panels	290-291	
	Fiberglass Accessories	292-294	



DISCONNECT ENCLOSURES

Wall-Mount Enc.	Type 12 Flange-Mount	296-298
	Type 4 & 4X Premier™ Series 2-Point & 3-Point Locking	299-300
	Wall-Mount Disconnect Mechanisms	301-306
Ground-Mount Enclosures	Type 12 Center & Flange-Mount Floor-Standing 3-Point Locking	307-311
	Floor-Standing Disconnect Mechanisms	312-319
	Type 12 Heavy-Duty Single & Multi Door Flange-Mount Free Standing	320-326
	Type 12 Modular Free-Standing	327-331
	Free-Standing Disconnect Mechanisms	332-339



OPERATOR ENCLOSURES

Pushbutton Enclosures	Type 12 & Type 4X - 22.5mm & 30.5mm	342-343
	Type 12 & Type 4X Extra-Deep - 30.5mm	344-345
	Type 12 Miniature - 22.5 mm	346-347
	Type 12 Hinge Cover - 30.5 mm with Panel	348-349
	Type 12 Angle Front - 30.5mm)	350-351
Console/Consoles	Consolelet Type 12	353-355
	Console Type 12 - AW-9	356-357
	Console Type 12 - AW-12	358-360
	Console Type 12 - AW-14	361-365
	Console Accessories Type 12 - AW-14	366-367
	Console Accessories	368-369



CLIMATE CONTROL PRODUCTS

Air Conditioners	A/C NEMA 4 or 4X	375-379	
	A/C 480 Volt 1-Phase NEMA 4 or 4X	380	
	A/C 480 Volt 3-Phase NEMA 4 or 4X	381-382	
	A/C NEMA 4 or 4X Slimcool Series	383-385	
	A/C Top Mounted NEMA 12 Compact Series Horizontal	386	
Filter Fans	A/C Top Mounted NEMA 12 Compact Plus Series Horizontal	387	
	Filter Fans NEMA 1	388	
	Filter Fans NEMA 3R Advantage Sentry Series	389	
	Filter Fans Filter-Grille Assemblies Advantage Sentry Series	390	
	Filter Fans NEMA 4 or 4X Guardian Series	391-392	
	Filter Fans Filter-Hood Assemblies Guardian Series	393	
	Filter Fans NEMA 12 Filter Fan, Grills, Replacement Filters	394-398	
	Heaters	PTC Fan Heaters	400
		PTC Heaters	401
		Fan Heaters	402
Therm- stats	Small Thermostats	403	
	Electronic Humidity and Temperature Controls	403	

Table of Contents



ACCESSORIES

Panels

JIC & Small Panels, RHC Panels, Type 1 Medium Panels, NEMA Panels, JIC Perforated Panels, Medium Perforated Panels, Flanged Panels, Wood Back Panels, 406-413

Panel Accessories

JIC & NEMA Swing Panel Kits, Panel Supports, Lifting Hooks 414-416

Window Kits - Fixed & Hinged 417-418

Door Accessories - Door Stops & Print Pockets 418

Locks, Latches, Inserts, Handles, Clamps

Locks, Latches, Inserts, & Handles 419-428

Padlock Kit, Clamp Kits 429-431

Bolt-On Accessories

Folding Shelf Kit & Gland Plates

Floor Stand Kit & Stabilizer 432-433

Louver Plate Kits, Filters, & Filter Adhesive 434-435

Baffle Plates & Hole Seals, Drip Shields & Casters, Barriers, Component Mounting Device 436-439

Electrical Accessories

JIC & NEMA Terminal Strap & Block Strip Kits 440-442

Terminal Blocks - Channel Mounted & Flat Base,

Terminal Strap Support 443-445

Enclosure Lights & Interlocks 445-445

Power Strips & Receptacles 447-449

Columns & Bases 450-451

Disconnect Adapter Kits & Blank Adapter Plates 452

Hardware & Miscellaneous

Hardware Packages, Ground Lug & Devices, Sealing

Devices, Clamping Nuts, Touch-Up Paint 453-455



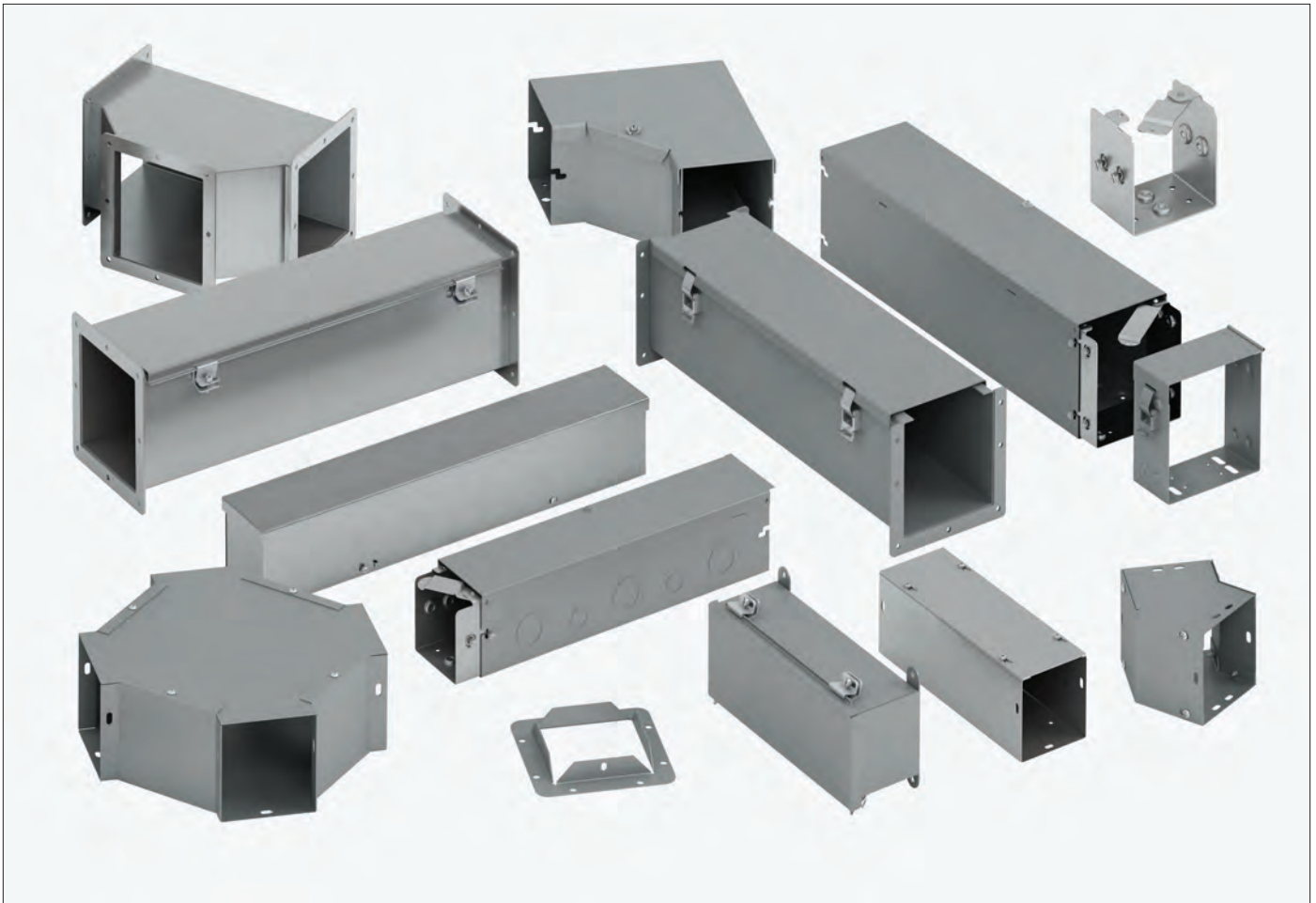
ENGINEERING DATA

Standards, Enclosure Comparison Charts, Materials & Finishes, Corrosion Charts, Wireway Selection Charts, Decimal & Metric Conversion Charts 458-472

1084-12LC	91
1084-12SC	95
1084-4CHC	141

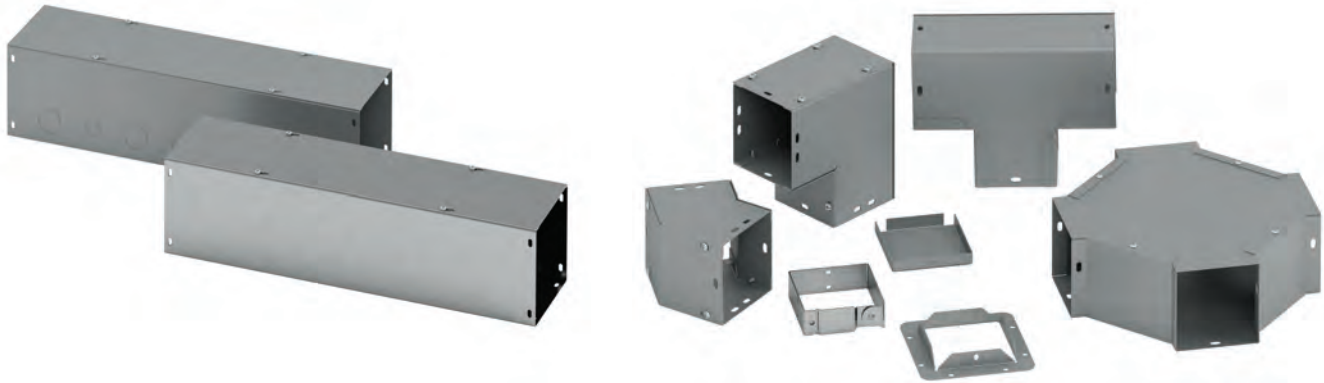
INDEX

Part Number Index 474-508



Lay-In Wireway Type 1 Screw Cover	8-14
Lay-In Wireway Type 1 Quick-Connect Hinge Cover	15-20
Lay-In Wireway Type 3R EnviroShield™	21-24
Lay-In Wireway Type 12	25-31
Feed-Through Wireway Type 12	32-35
Feed-Through Wireway Type 4X	36-39
Wiring Trough Type 1 Screw Cover	40-41
Wiring Trough Type 3R Screw Cover	42-43
Wiring Trough Type 12 Lift-Off Cover	44-45
Wiring Trough Type 4X Lift-Off Cover	46-47

Lay-In Wireway Type 1 Screw Cover - Painted & Galvanized Data Sheet



Application

- Houses runs of control and power cable
- Used for cable and wire junction, distribution and termination

Standards

- UL 870 listed, Type 1
- CSA C22.2 No. 26 certified, Type 1
- Conforms to NEMA standard for Type 1

Finish

- Wash and phosphate undercoat or galvanized steel
- ANSI 61 gray acrylic electrocoat finish

Accessories

- Sealing devices
- Touch-up paint
- See Accessories section

Construction

- Wireway body and cover are fabricated from code gauge steel or galvanized steel, (see table, pages 9 & 10)
- Wireway body has mounting holes on the back
- Wireway is available with or without knockouts
- Wireway fittings have no knockouts, ends are available with or without knockouts
- Cover is secured to the body with plated screws
- Keyhole slots are furnished on the wireway cover which allow easy access to the inside without removing the screws
- Wireway exceeding 72 inches in length has two overlapping covers
- Variety of fittings allow runs which can change direction, junction and terminate
- Standard wireway connectors (sold separately) have a gate feature which can swing completely open allowing for lay-in of wire and cable
- Interchangeable with Type 1 Hinge Cover Wireway and Fittings when HSCA connector is used, (see page 17)

Discount Schedule: A2

Subclass: AK1 (painted) & Z40 (galvanized)

Notes: We can provide special sizes, finishes and other modifications. Consult the factory for your special requirements.

Lay-In Wireway Type 1 Screw Cover - Painted & Galvanized Catalog Number

Subclass: Painted - AK1 & Galvanized - Z40

Wireway Catalog Number				Wireway Size				Gauge	Knockout Quantity	
Painted		Galvanized		Height x Depth x Length A x B x C		D			Top	Bottom
KO	No KO	KO	No KO	in.	mm	in.	mm			
2212 G	2212 G NK	--	2212 GGV NK	2.50 x 2.50 x 12.00	64 x 64 x 305	1.25	32	16	3	3
2224 G	2224 G NK	2224 GGV	2224 GGV NK	2.50 x 2.50 x 24.00	64 x 64 x 610	1.25	32	16	7	7
2236 G	2236 G NK	2236 GGV	2236 GGV NK	2.50 x 2.50 x 36.00	64 x 64 x 914	1.25	32	16	11	11
2248 G	2248 G NK	--	2248 GGV NK	2.50 x 2.50 x 48.00	64 x 64 x 1219	1.25	32	16	15	15
2260 G	2260 G NK	2260 GGV	2260 GGV NK	2.50 x 2.50 x 60.00	64 x 64 x 1524	1.25	32	16	23	23
22120 G	22120 G NK	22120 GGV	22120 GGV NK	2.50 x 2.50 x 120.00	64 x 64 x 3048	1.25	32	16	39	39
--	3312 G NK	--	--	3.00 x 3.00 x 12.00	76 x 76 x 305	1.50	38	16	3	3
--	3324 G NK	--	--	3.00 x 3.00 x 24.00	76 x 76 x 610	1.50	38	16	7	7
--	3336 G NK	--	--	3.00 x 3.00 x 36.00	76 x 76 x 914	1.50	38	16	11	11
--	3348 G NK	--	--	3.00 x 3.00 x 48.00	76 x 76 x 1219	1.50	38	16	15	15
--	3360 G NK	--	--	3.00 x 3.00 x 60.00	76 x 76 x 1524	1.50	38	16	19	19
--	3372 G NK	--	--	3.00 x 3.00 x 72.00	76 x 76 x 1829	1.50	38	16	23	23
--	33120 G NK	--	--	3.00 x 3.00 x 120.00	76 x 76 x 3048	1.50	38	16	39	39
4412 G	4412 G NK	4412 GGV	4412 GGV NK	4.00 x 4.00 x 12.00	102 x 102 x 305	2.75	70	16	3	3
4418 G	4418 G NK	--	4418 GGV NK	4.00 x 4.00 x 18.00	102 x 102 x 457	2.75	70	16	5	5
4424 G	4424 G NK	4424 GGV	4424 GGV NK	4.00 x 4.00 x 24.00	102 x 102 x 610	2.75	70	16	7	7
4436 G	4436 G NK	4436 GGV	4436 GGV NK	4.00 x 4.00 x 36.00	102 x 102 x 914	2.75	70	16	11	11
4448 G	4448 G NK	4448 GGV	4448 GGV NK	4.00 x 4.00 x 48.00	102 x 102 x 1219	2.75	70	16	15	15
4460 G	4460 G NK	4460 GGV	4460 GGV NK	4.00 x 4.00 x 60.00	102 x 102 x 1524	2.75	70	16	19	19
4472 G	4472 G NK	4472 GGV	4472 GGV NK	4.00 x 4.00 x 72.00	102 x 102 x 1829	2.75	70	16	23	23
44120 G	44120 G NK	44120 GGV	44120 GGV NK	4.00 x 4.00 x 120.00	102 x 102 x 3048	2.75	70	16	39	39
--	6412 G NK	--	--	6.00 x 4.00 x 12.00	152 x 102 x 305	4.25	108	16	3	3
--	6418 G NK	--	--	6.00 x 4.00 x 18.00	152 x 102 x 457	4.25	108	16	5	5
--	6424 G NK	--	--	6.00 x 4.00 x 24.00	152 x 102 x 610	4.25	108	16	7	7
--	6436 G NK	--	--	6.00 x 4.00 x 36.00	152 x 102 x 914	4.25	108	16	11	11
--	6448 G NK	--	--	6.00 x 4.00 x 48.00	152 x 102 x 1219	4.25	108	16	15	15
--	6460 G NK	--	--	6.00 x 4.00 x 60.00	152 x 102 x 1524	4.25	108	16	19	19
--	6472 G NK	--	--	6.00 x 4.00 x 72.00	152 x 102 x 1829	4.25	108	16	23	23
--	64120 G NK	--	--	6.00 x 4.00 x 120.00	152 x 102 x 3048	4.25	108	16	39	39
6612 G	6612 G NK	6612 GGV	6612 GGV NK	6.00 x 6.00 x 12.00	152 x 152 x 305	4.25	108	16	3	3
6618 G	6618 G NK	--	6618 GGV NK	6.00 x 6.00 x 18.00	152 x 152 x 457	4.25	108	16	5	5
6624 G	6624 G NK	6624 GGV	6624 GGV NK	6.00 x 6.00 x 24.00	152 x 152 x 610	4.25	108	16	7	7
6636 G	6636 G NK	6636 GGV	6636 GGV NK	6.00 x 6.00 x 36.00	152 x 152 x 914	4.25	108	16	11	11
6648 G	6648 G NK	6648 GGV	6648 GGV NK	6.00 x 6.00 x 48.00	152 x 152 x 1219	4.25	108	16	15	15
6660 G	6660 G NK	6660 GGV	6660 GGV NK	6.00 x 6.00 x 60.00	152 x 152 x 1524	4.25	108	16	19	19
6672 G	6672 G NK	6672 GGV	6672 GGV NK	6.00 x 6.00 x 72.00	152 x 152 x 1829	4.25	108	16	23	23
66120 G	66120 G NK	66120 GGV	66120 GGV NK	6.00 x 6.00 x 120.00	152 x 152 x 3048	4.25	108	16	39	39
8812 G	8812 G NK	8812 GGV	8812 GGV NK	8.00 x 8.00 x 12.00	203 x 203 x 305	6.00	152	14	3	3
8818 G	8818 G NK	--	8818 GGV NK	8.00 x 8.00 x 18.00	203 x 203 x 457	6.00	152	14	5	5
8824 G	8824 G NK	8824 GGV	8824 GGV NK	8.00 x 8.00 x 24.00	203 x 203 x 610	6.00	152	14	7	7
8836 G	8836 G NK	8836 GGV	8836 GGV NK	8.00 x 8.00 x 36.00	203 x 203 x 914	6.00	152	14	11	11
8848 G	8848 G NK	8848 GGV	8848 GGV NK	8.00 x 8.00 x 48.00	203 x 203 x 1219	6.00	152	14	15	15
8860 G	8860 G NK	8860 GGV	8860 GGV NK	8.00 x 8.00 x 60.00	203 x 203 x 1524	6.00	152	14	19	19
8872 G	8872 G NK	8872 GGV	8872 GGV NK	8.00 x 8.00 x 72.00	203 x 203 x 1829	6.00	152	14	23	23
88120 G	88120 G NK	88120 GGV	88120 GGV NK	8.00 x 8.00 x 120.00	203 x 203 x 3048	6.00	152	14	39	39

See page 10 for 10"x10" and 12"x12" wireway.

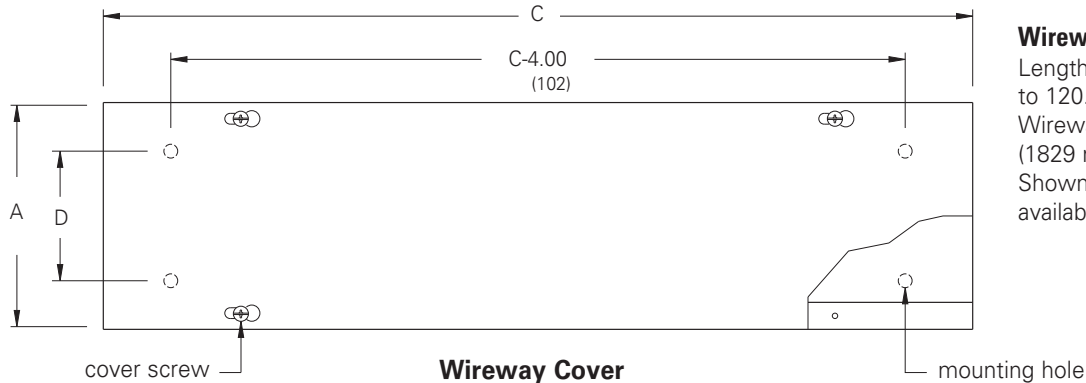
Notes: Dimensions are in inches. Millimeters shown are for reference only. Data subject to change without notice.

Cable & Wire Management

Lay-In Wireway Type 1 Screw Cover - Painted & Galvanized Illustration Sheet and Catalog Number

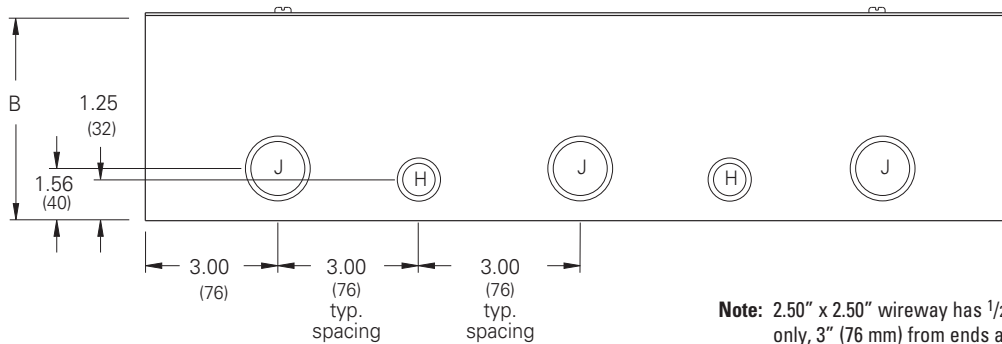
Subclass: Painted - AK1 & Galvanized - Z40

Wireway Catalog Number				Wireway Size			D	Gauge	Knockout Quantity	
Painted		Galvanized		Height x Depth x Length Ax B x C		in.			mm	Top
KO	No KO	KO	No KO	in.	mm	in.	mm			
101012 G	101012 G NK	--	101012 GGV NK	10.00 x 10.00 x 12.00	254 x 254 x 305	8.00	203	14	3	3
101024 G	101024 G NK	--	101024 GGV NK	10.00 x 10.00 x 24.00	254 x 254 x 610	8.00	203	14	7	7
101036 G	101036 G NK	--	101036 GGV NK	10.00 x 10.00 x 36.00	254 x 254 x 914	8.00	203	14	11	11
101048 G	101048 G NK	--	101048 GGV NK	10.00 x 10.00 x 48.00	254 x 254 x 1219	8.00	203	14	15	15
101060 G	101060 G NK	--	101060 GGV NK	10.00 x 10.00 x 60.00	254 x 254 x 1524	8.00	203	14	19	19
101072 G	101072 G NK	--	101072 GGV NK	10.00 x 10.00 x 72.00	254 x 254 x 1829	8.00	203	14	23	23
1010120 G	1010120 G NK	--	1010120 GGV NK	10.00 x 10.00 x 120.00	254 x 254 x 3048	8.00	203	14	39	39
121212 G	121212 G NK	--	121212 GGV NK	12.00 x 12.00 x 12.00	305 x 305 x 305	10.00	254	14	3	3
121224 G	121224 G NK	--	121224 GGV NK	12.00 x 12.00 x 24.00	305 x 305 x 610	10.00	254	14	7	7
121236 G	121236 G NK	--	121236 GGV NK	12.00 x 12.00 x 36.00	305 x 305 x 914	10.00	254	14	11	11
121248 G	121248 G NK	--	121248 GGV NK	12.00 x 12.00 x 48.00	305 x 305 x 1219	10.00	254	14	15	15
121260 G	121260 G NK	--	121260 GGV NK	12.00 x 12.00 x 60.00	305 x 305 x 1524	10.00	254	14	19	19
121272 G	121272 G NK	--	121272 GGV NK	12.00 x 12.00 x 72.00	305 x 305 x 1829	10.00	254	14	23	23
1212120 G	1212120 G NK	--	1212120 GGV NK	12.00 x 12.00 x 120.00	305 x 305 x 3048	10.00	254	14	39	39



Wireway Section

Lengths from 12.00" (305 mm) to 120.00" (3048 mm). Wireway exceeding 72.00" (1829 mm) has two covers. Shown with KO's, also available without.



Knockout sizes:
H = 3/4" or 1/2" conduit
J = 1 1/4" or 1" conduit

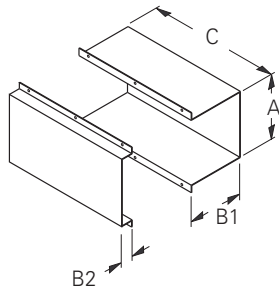
Note: 2.50" x 2.50" wireway has 1/2" and 3/4" 2-way knockouts (H) only, 3" (76 mm) from ends and 3" (76 mm) on center. Additional mounting holes are furnished when C dimension is over 60.00" (1524 mm).

Notes: Dimensions are in inches. Millimeters shown are for reference only. Data subject to change without notice.

Lay-In Wireway Type 1 Screw Cover - Painted & Galvanized

Illustration Sheet and Catalog Number

Subclass: Painted - AK1 & Galvanized - Z40

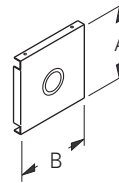


Telescopic Fitting

Adjustable length up to 10.00" (254 mm). Wraps around the two near joining wireway lengths to achieve a continuous run.

End

Used to terminate wireway or fitting. 2.50" x 2.50" (64 mm x 64 mm) through 8.00" x 8.00" (203 mm x 203 mm) ends have a 1.50"-1.25" concentric 2-way KO. 10.00" x 10.00" (254 mm x 254 mm) ends and larger have a 3.00" - 2.50" concentric 2-way KO for terminating on pipe or conduit. Also available without KO.



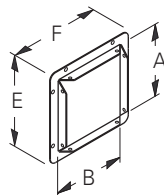
Telescopic Fitting

Catalog Number		A		B1		B2		C	
Painted	Galvanized	in.	mm	in.	mm	in.	mm	in.	mm
22 FTF	22 FTFGV	2.75	70	1.75	44	1.12	28	12.00	305
33 FTF	--	3.25	83	2.25	57	1.12	28	12.00	305
44 FTF	44 FTFGV	4.25	108	3.25	83	1.12	28	12.00	305
64 FTF	--	6.25	159	3.25	83	1.12	28	12.00	305
66 FTF	66 FTFGV	6.25	159	5.25	133	1.12	28	12.00	305
88 FTF	88 FTFGV	8.25	210	7.25	184	1.12	28	12.00	305
1010 FTF	1010 FTFGV	10.25	260	9.25	235	1.12	28	12.00	305
1212 FTF	1212 FTFGV	12.25	311	11.25	286	1.12	28	12.00	305

End

Catalog Number				A		B		
KO	Painted		Galvanized		in.	mm	in.	mm
	No KO	KO	No KO	KO				
22 E	22 E NK	22 EGV	22 EGV NK	2.50	64	2.50	64	
33 E	33 E NK	--	--	3.00	76	3.00	76	
44 E	44 E NK	44 EGV	44 EGV NK	4.00	102	4.00	102	
64 E	64 E NK	--	--	6.00	152	4.00	102	
66 E	66 E NK	66 EGV	66 EGV NK	6.00	152	6.00	152	
88 E	88 E NK	88 EGV	88 EGV NK	8.00	203	8.00	203	
1010 E	1010 E NK	1010 EGV	1010 EGV NK	10.00	254	10.00	254	
1212 E	1212 E NK	1212 EGV	1212 EGV NK	12.00	305	12.00	305	

See drawing for KO sizes.

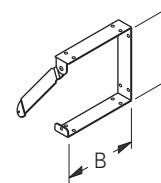


Wireway End Flange

Allows for a secure connection of wireway to an adjoining enclosure or wall.

Connector

Swing gate allows for lay-in of wire and cable.



Wireway End Flange

Catalog Number		A		B		E		F	
Painted	Galvanized	in.	mm	in.	mm	in.	mm	in.	mm
22 GF	22 GFGV	2.50	64	2.50	64	4.00	102	4.00	102
33 GF	--	3.00	76	3.00	76	4.50	114	4.50	114
44 GF	44 GFGV	4.00	102	4.00	102	5.50	140	5.50	140
64 GF	--	6.00	152	4.00	102	7.50	191	5.50	140
66 GF	66 GFGV	6.00	152	6.00	152	7.50	191	7.50	191
88 GF	88 GFGV	8.00	203	8.00	203	9.50	241	9.50	241
1010 GF	1010 GFGV	10.00	254	10.00	254	11.50	292	11.50	292
1212 GF	1212 GFGV	12.00	305	12.00	305	13.50	343	13.50	343

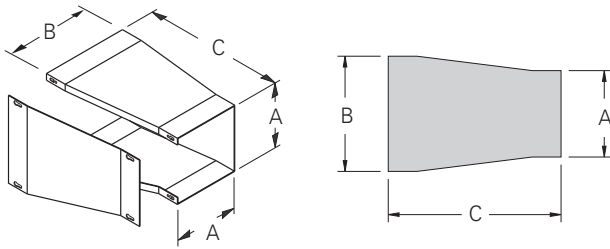
Connector

Catalog Number	A		B	
Galvanized	in.	mm	in.	mm
22 C	2.50	64	2.50	64
33 C	3.00	76	3.00	76
44 C	4.00	102	4.00	102
64 C	6.00	152	4.00	102
66 C	6.00	152	6.00	152
88 C	8.00	203	8.00	203
1010 C	10.00	254	10.00	254
1212 C	12.00	305	12.00	305

Notes: Dimensions are in inches. Millimeters shown are for reference only. Data subject to change without notice.

Cable & Wire Management

Lay-In Wireway Type 1 Screw Cover - Painted & Galvanized Illustration Sheet and Catalog Number

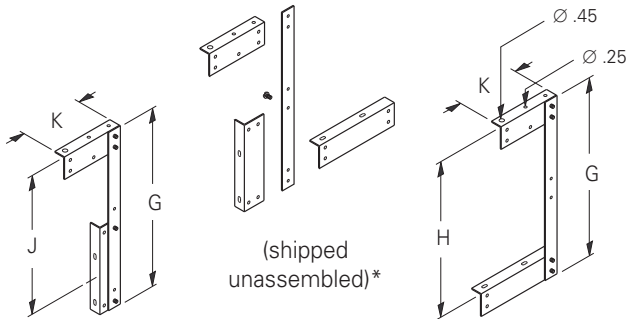


Reducer

B dimensions (see catalog table), correspond to the large end opening. Used to reduce or enlarge wireway runs.

Catalog Number		A		B		C	
Painted	Galvanized	in.	mm	in.	mm	in.	mm
2233 FR	--	2.50	64	3.00	76	6.00	152
3344 FR	--	3.00	76	4.00	102	8.00	203
4466 FR	--	4.00	102	6.00	152	10.00	254
6688 FR	--	6.00	152	8.00	203	12.00	305
881010 FR	--	8.00	203	10.00	254	12.00	305
10101212 FR	--	10.00	254	12.00	305	16.00	406

Wireway Hangers



Side Cover Assembly

For those installations where the wireway cover must be removed from the side.

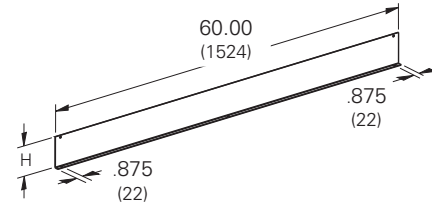
Top Cover Assembly

For those installations where the wireway cover must be removed from the top.

Catalog Number		G		H		J		K	
Painted	Galvanized	in.	mm	in.	mm	in.	mm	in.	mm
22 FH	--	8.50	216	6.50	165	6.50	165	2.87	73
33 FH	--	10.50	267	8.50	216	9.00	229	3.87	98
44 FH	--	12.50	318	10.50	267	10.37	263	4.87	124
66 FH	--	16.50	419	14.50	368	13.50	343	5.87	149
88 FH	--	20.50	521	18.50	470	16.75	425	6.87	174
1010 FH*	--	24.50	622	22.50	572	19.75	502	7.87	200
1212 FH*	--	28.50	724	26.50	673	22.75	578	8.87	225

*Hangers are shipped welded in the top cover assembly position.

Subclass: Painted - AK1 & Galvanized - Z40

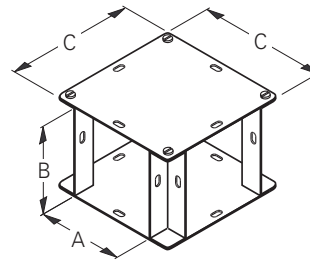


Barrier, Bolt-On

For those installations that require separated wiring compartments.

Catalog Number	Size		Length		H	
	in.	mm	in.	mm	in.	mm
22-12BK*	2.50 x 2.50	64 x 64	60.00	1524	1.88	48
33-12BK*	3.00 x 3.00	76 x 76	60.00	1524	2.25	57
44-12BK*	4.00 x 4.00	102 x 102	60.00	1524	3.00	76
66-12BK*	6.00 x 6.00	152 x 152	60.00	1524	4.50	114
88-12BK*	8.00 x 8.00	203 x 203	60.00	1524	6.00	152
1010-12BK*	10.00 x 10.00	254 x 254	60.00	1524	8.00	203
1212-12BK*	12.00 x 12.00	305 x 305	60.00	1524	10.50	267

*Not UL or CSA listed fitting.



90° Elbow-Tee-Cross

Designed for left or right 90° turns or as a tee or cross by removing closure plates. Includes two (2) closure plates and hardware.

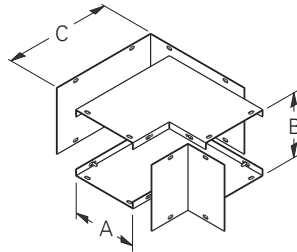
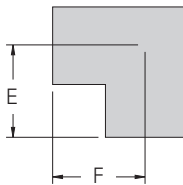
Catalog Number		A		B		C	
Painted	Galvanized	in.	mm	in.	mm	in.	mm
22 LTX	22 LTXGV	2.50	64	2.50	64	4.50	114
33 LTX	--	3.00	76	3.00	76	5.00	127
44 LTX	44 LTXGV	4.00	102	4.00	102	6.00	152
64 LTX	--	6.00	152	4.00	102	8.00	203
66 LTX	66 LTXGV	6.00	152	6.00	152	8.00	203
88 LTX	88 LTXGV	8.00	203	8.00	203	10.00	254
1010 LTX	1010 LTXGV	10.00	254	10.00	254	12.00	305
1212 LTX	1212 LTXGV	12.00	305	12.00	305	14.00	356

Notes: Dimensions are in inches. Millimeters shown are for reference only. Data subject to change without notice.

Lay-In Wireway Type 1 - Painted & Galvanized Illustration Sheet and Catalog Number

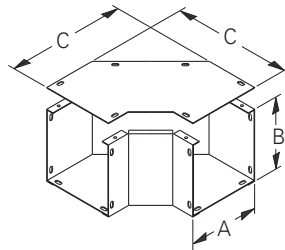
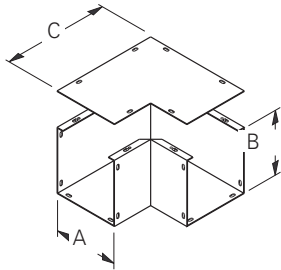
Subclass: Painted - AK1 & Galvanized - Z40

**Wireway 90° Elbows
Screw Cover**



Combo Opening

Specially designed for removing either the inside or outside cover to allow a continuous run with 90° turns.



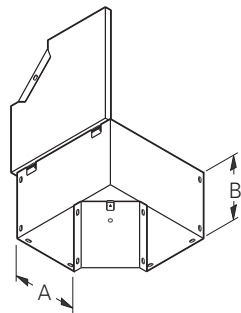
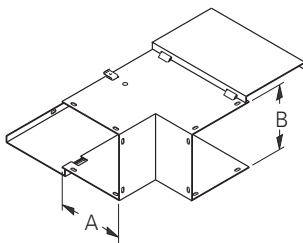
Side Opening

Side cover is removable to allow a continuous run on designs with 90° turns.

Sweep Elbow

Side cover design with a larger radius for 90° sweeping turns.

**Wireway 90° Elbows
Hinged Cover**

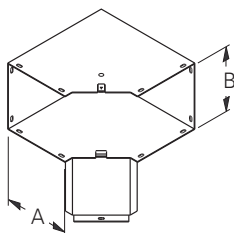


Outside Opening

Specifically designed to have the outside covers hinge open to allow a continuous run with 90° turns.

Side Opening

Side cover is hinged to allow a continuous run on designs with 90° sweeping turns.



Inside Opening

Specifically designed to have only the inside cover hinge open to allow a continuous run with 90° turns.

90° Elbow - Screw Cover

Catalog Number		A		B		C		E		F	
Painted	Galvanized	in.	mm	in.	mm	in.	mm	in.	mm	in.	mm
22 L COMBO	22 L COMBOGV	2.50	64	2.50	64	5.59	142	4.28	109	4.28	109
33 L COMBO	--	3.00	76	3.00	76	6.09	155	4.50	114	4.50	114
44 L COMBO	44 L COMBOGV	4.00	102	4.00	102	7.09	180	5.00	127	5.00	127
64 L COMBO	--	4.00	102	6.00	152	10.09	256	5.00	127	5.00	127
66 L COMBO	66 L COMBOGV	6.00	152	6.00	152	10.09	256	7.00	178	7.00	178
88 L COMBO	88 L COMBOGV	8.00	203	8.00	203	12.09	307	8.00	203	8.00	203
1010 L COMBO	1010 L COMBOGV	10.00	254	10.00	254	14.09	358	9.00	229	9.00	229
1212 L COMBO	1212 L COMBOGV	12.00	305	12.00	305	16.09	409	10.00	254	10.00	254
22 L SIDE	--	2.50	64	2.50	64	5.59	142	4.28	109	4.28	109
33 L SIDE	--	3.00	76	3.00	76	6.09	155	4.50	114	4.50	114
44 L SIDE	--	4.00	102	4.00	102	7.09	180	5.00	127	5.00	127
64 L SIDE	--	6.00	152	4.00	102	10.09	256	7.00	178	7.00	178
66 L SIDE	--	6.00	152	6.00	152	10.09	256	7.00	178	7.00	178
88 L SIDE	--	8.00	203	8.00	203	12.09	307	8.00	203	8.00	203
1010 L SIDE	--	10.00	254	10.00	254	14.09	358	10.00	254	9.00	229
1212 L SIDE	--	12.00	305	12.00	305	16.09	409	10.00	254	10.00	254
22 L SWEEP	22 L SWEEPGV	2.50	64	2.50	64	5.63	143	4.25	108	4.25	108
33 L SWEEP	--	3.00	76	3.00	76	8.41	214	6.84	174	6.84	174
44 L SWEEP	44 L SWEEPGV	4.00	102	4.00	102	9.41	239	7.34	186	7.34	186
64 L SWEEP	--	6.00	152	4.00	102	11.41	290	8.34	212	8.34	212
66 L SWEEP	66 L SWEEPGV	6.00	152	6.00	152	11.41	290	8.34	212	8.34	212
88 L SWEEP	88 L SWEEPGV	8.00	203	8.00	203	13.41	341	9.34	237	9.34	237
1010 L SWEEP	1010 L SWEEPGV	10.00	254	10.00	254	15.41	391	10.34	263	10.34	263
1212 L SWEEP	1212 L SWEEPGV	12.00	305	12.00	305	17.41	442	11.34	288	11.34	288

90° Elbow - Hinged Cover

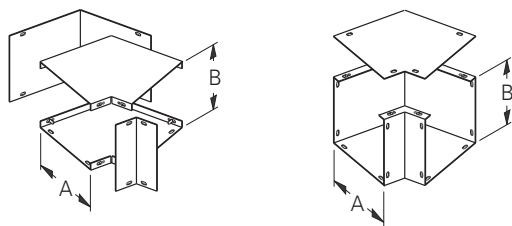
Catalog Number		A		B		E		F	
Painted		in.	mm	in.	mm	in.	mm	in.	mm
33 FL IN		3.00	76	3.00	76	5.50	140	5.50	140
44 FL IN		4.00	102	4.00	102	6.00	152	6.00	152
66 FL IN		6.00	152	6.00	152	7.00	178	7.00	178
88 FL IN		8.00	203	8.00	203	8.00	203	8.00	203
1010 FL IN		10.00	254	10.00	254	9.00	229	9.00	229
1212 FL IN		12.00	305	12.00	305	10.00	254	10.00	254
33 FL OUT		3.00	76	3.00	76	5.50	140	5.50	140
44 FL OUT		4.00	102	4.00	102	6.00	152	6.00	152
66 FL OUT		6.00	152	6.00	152	7.00	178	7.00	178
88 FL OUT		8.00	203	8.00	203	8.00	203	8.00	203
1010 FL OUT		10.00	254	10.00	254	9.00	229	9.00	229
1212 FL OUT		12.00	305	12.00	305	10.00	254	10.00	254
33 FL SIDE		3.00	76	3.00	76	5.50	140	5.50	140
44 FL SIDE		4.00	102	4.00	102	6.00	152	6.00	152
66 FL SIDE		6.00	152	6.00	152	7.00	178	7.00	178
88 FL SIDE		8.00	203	8.00	203	8.00	203	8.00	203
1010 FL SIDE		10.00	254	10.00	254	9.00	229	9.00	229
1212 FL SIDE		12.00	305	12.00	305	10.00	254	10.00	254

Notes: Dimensions are in inches. Millimeters shown are for reference only. Data subject to change without notice.

Lay-In Wireway Type 1 Screw Cover - Painted & Galvanized Illustration Sheet and Catalog Number

Subclass: Painted - AK1 & Galvanized - Z40

Wireway 45° Elbows

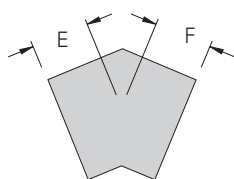


Combo Opening

Similar to the 90° elbow design except a 45° turn. Both inside and outside covers removable.

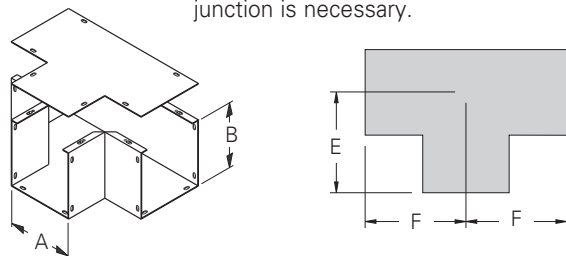
Side Opening

Similar to the 90° side opening design except for a 45° turn. Excellent for combining two to make a gradual sweeping 90° turn.



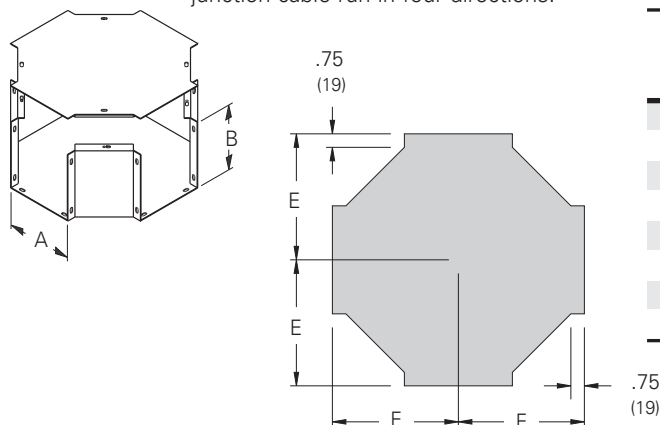
Tee

Side cover design where a "T" junction is necessary.



Cross

Side cover and broad body design to junction cable run in four directions.



45° Elbow

Catalog Number		A		B		E		F	
Painted	Galvanized	in.	mm	in.	mm	in.	mm	in.	mm
2245 L COMBO	2245 L COMBOGV	2.50	64	2.50	64	1.72	44	1.72	44
3345 L COMBO	--	3.00	76	3.00	76	2.56	65	2.56	65
4445 L COMBO	4445 L COMBOGV	4.00	102	4.00	102	2.75	70	2.75	70
6445 L COMBO	--	4.00	102	6.00	153	2.75	70	2.75	70
6645 L COMBO	6645 L COMBOGV	6.00	153	6.00	153	3.18	81	3.18	81
8845 L COMBO	8845 L COMBOGV	8.00	203	8.00	203	3.62	92	3.62	92
101045 L COMBO	101045 L COMBOGV	10.00	254	10.00	254	4.06	103	4.06	103
121245 L COMBO	121245 L COMBOGV	12.00	305	12.00	305	4.50	114	4.50	114
2245 L SIDE	--	2.50	64	2.50	64	1.97	50	1.97	50
3345 L SIDE	--	3.00	76	3.00	76	2.56	65	2.56	65
4445 L SIDE	--	4.00	102	4.00	102	2.75	70	2.75	70
6445 L SIDE	--	6.00	153	4.00	102	3.18	81	3.18	81
6645 L SIDE	--	6.00	153	6.00	153	3.18	81	3.18	81
8845 L SIDE	--	8.00	203	8.00	203	3.62	92	3.62	92
101045 L SIDE	--	10.00	254	10.00	254	4.06	103	4.06	103
121245 L SIDE	--	12.00	305	12.00	305	4.50	114	4.50	114

Tee

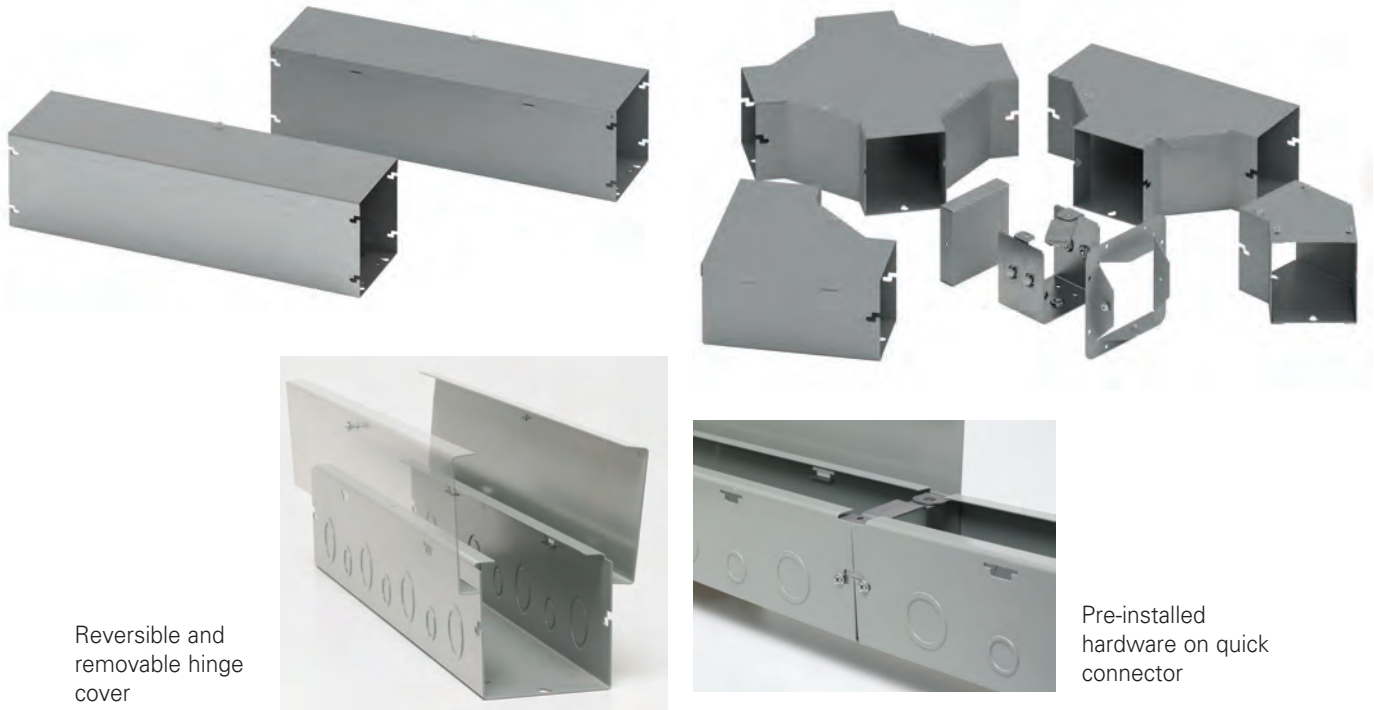
Catalog Number		A		B		E		F	
Painted	Galvanized	in.	mm	in.	mm	in.	mm	in.	mm
22 T	22 TGV	2.50	64	2.50	64	4.25	108	4.25	108
33 T	--	3.00	76	3.00	76	4.50	114	4.50	114
44 T	44 TGV	4.00	102	4.00	102	5.00	127	5.00	127
64 T	--	6.00	153	4.00	102	7.00	178	7.00	178
66 T	66 TGV	6.00	153	6.00	153	7.00	178	7.00	178
88 T	88 TGV	8.00	203	8.00	203	8.00	203	8.00	203
1010 T	1010 TGV	10.00	254	10.00	254	9.00	229	9.00	229
1212 T	1212 TGV	12.00	305	12.00	305	10.00	254	10.00	254

Cross

Catalog Number		A		B		E		F	
Painted	Galvanized	in.	mm	in.	mm	in.	mm	in.	mm
22 X	22 XGV	2.50	64	2.50	64	4.25	108	4.25	108
33 X	--	3.00	76	3.00	76	5.62	143	5.62	143
44 X	44 XGV	4.00	102	4.00	102	6.12	155	6.12	155
64 X	--	6.00	152	4.00	102	7.12	181	7.12	181
66 X	66 XGV	6.00	152	6.00	152	7.12	181	7.12	181
88 X	88 XGV	8.00	203	8.00	203	8.12	206	8.12	206
1010 X	1010 XGV	10.00	254	10.00	254	9.12	232	9.12	232
1212 X	1212 XGV	12.00	305	12.00	305	10.12	257	10.12	257

Notes: Dimensions are in inches. Millimeters shown are for reference only. Data subject to change without notice.

Lay-In Wireway Type 1 Quick-Connect Hinge Cover Data Sheet



Reversible and removable hinge cover

Pre-installed hardware on quick connector

Application

- Houses runs of control and power cable
- Used for cable and wire junction, distribution and termination

Standards

- UL 870 listed, Type 1
- CSA C22.2 No. 26 certified, Type 1
- Conforms to NEMA standard for Type 1

Finish

- Wash and phosphate undercoat
- ANSI 61 gray acrylic electrocoat finish

Accessories

- Touch-up paint
- See Accessories section

Protected by U.S. Patents 7,525,044 & 7,762,042

Construction

- Wireway body and cover are fabricated from code gauge steel, (see table, page 16)
- Wireway body has mounting holes on the back
- Wireway is available with or without knockouts
- Wireway fittings have no knockouts, ends are available with or without knockouts
- Wireway exceeding 72 inches in length has two overlapping covers
- Variety of fittings allow runs which can change directions, junction and terminate
- Wireway connectors (sold separately) have a gate feature which can swing completely open allowing for lay-in of wire and cable
- Universal style connectors are also available for adapting to other manufacturer's wireway, (see page 17)
- Except for wireway ends, completely interchangeable with Type 1 screw cover wireway and fittings through use of the adapter style connector HSCA, (see page 17)

Discount Schedule: A2

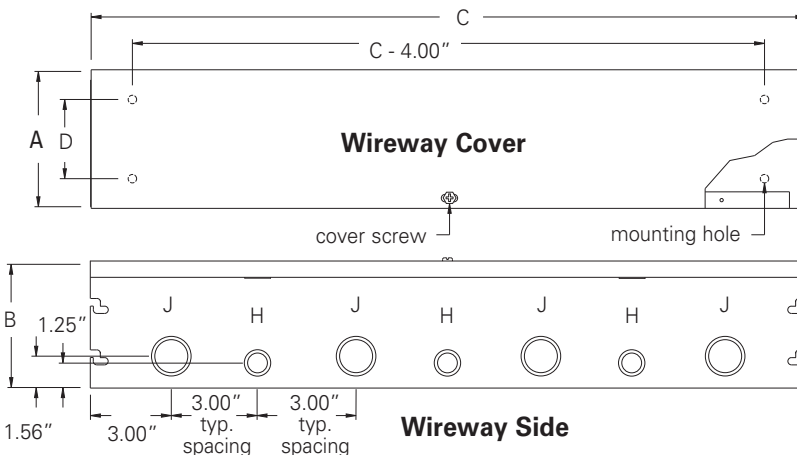
Subclass: HS1

Notes: We can provide special sizes, finishes and other modifications. Consult the factory for your special requirements.

Lay-In Wireway Type 1 Quick-Connect Hinge Cover Illustration Sheet and Catalog Number

Subclass: HS1

Wireway Catalog Number		Wireway Size Height x Depth x Length		D		Gauge	Knockout Quantity	
KO	No KO	A x B x C		in.	mm		Top	Bottom
2212 HS	2212 HS NK	2.50 x 2.50 x 12.00	63 x 63 x 305	1.25	32	16	3	3
2224 HS	2224 HS NK	2.50 x 2.50 x 24.00	63 x 63 x 610	1.25	32	16	7	7
2236 HS	2236 HS NK	2.50 x 2.50 x 36.00	63 x 63 x 914	1.25	32	16	11	11
2248 HS	2248 HS NK	2.50 x 2.50 x 48.00	63 x 63 x 1219	1.25	32	16	15	15
2260 HS	2260 HS NK	2.50 x 2.50 x 60.00	63 x 63 x 1524	1.25	32	16	19	19
2272 HS	2272 HS NK	2.50 x 2.50 x 72.00	63 x 63 x 1829	1.25	32	16	23	23
22120 HS	22120 HS NK	2.50 x 2.50 x 120.00	63 x 63 x 3048	1.25	32	16	39	39
4412 HS	4412 HS NK	4.00 x 4.00 x 12.00	102 x 102 x 305	2.75	70	16	3	3
4424 HS	4424 HS NK	4.00 x 4.00 x 24.00	102 x 102 x 610	2.75	70	16	7	7
4436 HS	4436 HS NK	4.00 x 4.00 x 36.00	102 x 102 x 914	2.75	70	16	11	11
4448 HS	4448 HS NK	4.00 x 4.00 x 48.00	102 x 102 x 1219	2.75	70	16	15	15
4460 HS	4460 HS NK	4.00 x 4.00 x 60.00	102 x 102 x 1524	2.75	70	16	19	19
4472 HS	4472 HS NK	4.00 x 4.00 x 72.00	102 x 102 x 1829	2.75	70	16	23	23
44120 HS	44120 HS NK	4.00 x 4.00 x 120.00	102 x 102 x 3048	2.75	70	16	39	39
6612 HS	6612 HS NK	6.00 x 6.00 x 12.00	152 x 152 x 305	4.25	108	16	3	3
6624 HS	6624 HS NK	6.00 x 6.00 x 24.00	152 x 152 x 610	4.25	108	16	7	7
6636 HS	6636 HS NK	6.00 x 6.00 x 36.00	152 x 152 x 914	4.25	108	16	11	11
6648 HS	6648 HS NK	6.00 x 6.00 x 48.00	152 x 152 x 1219	4.25	108	16	15	15
6660 HS	6660 HS NK	6.00 x 6.00 x 60.00	152 x 152 x 1524	4.25	108	16	19	19
6672 HS	6672 HS NK	6.00 x 6.00 x 72.00	152 x 152 x 1829	4.25	108	16	23	23
66120 HS	66120 HS NK	6.00 x 6.00 x 120.00	152 x 152 x 3048	4.25	108	16	39	39
8812 HS	8812 HS NK	8.00 x 8.00 x 12.00	203 x 203 x 305	6.00	152	14	3	3
8824 HS	8824 HS NK	8.00 x 8.00 x 24.00	203 x 203 x 610	6.00	152	14	7	7
8836 HS	8836 HS NK	8.00 x 8.00 x 36.00	203 x 203 x 914	6.00	152	14	11	11
8848 HS	8848 HS NK	8.00 x 8.00 x 48.00	203 x 203 x 1219	6.00	152	14	15	15
8860 HS	8860 HS NK	8.00 x 8.00 x 60.00	203 x 203 x 1524	6.00	152	14	19	19
8872 HS	8872 HS NK	8.00 x 8.00 x 72.00	203 x 203 x 1829	6.00	152	14	23	23
88120 HS	88120 HS NK	8.00 x 8.00 x 120.00	203 x 203 x 3048	6.00	152	14	39	39
101012 HS	101012 HS NK	10.00 x 10.00 x 12.00	254 x 254 x 305	8.00	203	14	3	3
101024 HS	101024 HS NK	10.00 x 10.00 x 24.00	254 x 254 x 610	8.00	203	14	7	7
101036 HS	101036 HS NK	10.00 x 10.00 x 36.00	254 x 254 x 914	8.00	203	14	11	11
101048 HS	101048 HS NK	10.00 x 10.00 x 48.00	254 x 254 x 1219	8.00	203	14	15	15
101060 HS	101060 HS NK	10.00 x 10.00 x 60.00	254 x 254 x 1524	8.00	203	14	19	19
1010120 HS	1010120 HS NK	10.00 x 10.00 x 120.00	254 x 254 x 3048	8.00	203	14	39	39
121212 HS	121212 HS NK	12.00 x 12.00 x 12.00	305 x 305 x 305	10.00	254	14	3	3
121224 HS	121224 HS NK	12.00 x 12.00 x 24.00	305 x 305 x 610	10.00	254	14	7	7
121236 HS	121236 HS NK	12.00 x 12.00 x 36.00	305 x 305 x 914	10.00	254	14	11	11
121248 HS	121248 HS NK	12.00 x 12.00 x 48.00	305 x 305 x 1219	10.00	254	14	15	15
121260 HS	121260 HS NK	12.00 x 12.00 x 60.00	305 x 305 x 1524	10.00	254	14	19	19
1212120 HS	1212120 HS NK	12.00 x 12.00 x 120.00	305 x 305 x 3048	10.00	254	14	39	39



Wireway Section

Lengths from 12.00" (305 mm) to 120.00" (305 mm). Wireway exceeding 72.00" (1829 mm) has two covers. Shown with KO's, also available without.

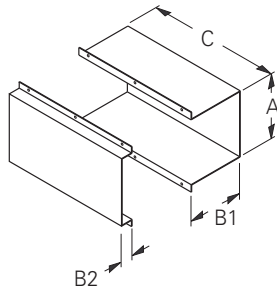
Knockout sizes:
H = 3/4" or 1/2" conduit
J = 1 1/4" or 1" conduit

Notes: Additional mounting holes are furnished when C dimension is over 60.00" (1524 mm).

Dimensions are in inches. Millimeters shown are for reference only. Data subject to change without notice.

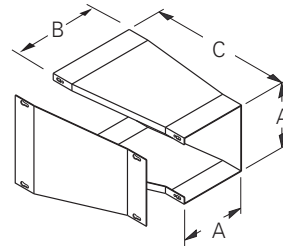
Lay-In Wireway Type 1 Quick-Connect Hinge Cover Illustration Sheet and Catalog Number

Subclass: HS1



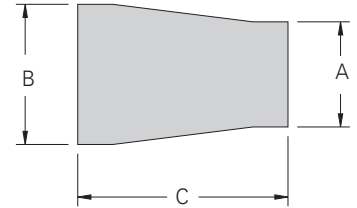
Telescopic Fitting

Adjustable length up to 10.00" (254 mm). Wraps around the two near joining wireway lengths to achieve a continuous run.



Reducer

B dimensions (see catalog table), correspond to the large end opening. Used to reduce or enlarge wireway runs. Removable cover is secured with screws.



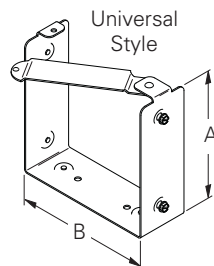
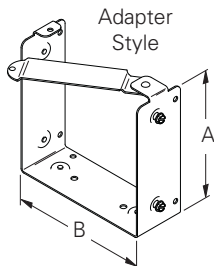
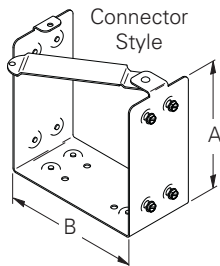
Telescopic Fitting

Catalog Number	A		B1		B2		C	
	in.	mm	in.	mm	in.	mm	in.	mm
22 FTF	2.75	70	1.75	44	1.12	28	12.00	305
33FTF	3.25	83	2.25	57	1.12	28	12.00	305
44 FTF	4.25	108	3.25	83	1.12	28	12.00	305
66 FTF	6.25	159	5.25	133	1.12	28	12.00	305
88 FTF	8.25	210	7.25	184	1.12	28	12.00	305
1010 FTF	10.25	260	9.25	235	1.12	28	12.00	305
1212 FTF	12.25	311	11.25	286	1.12	28	12.00	305

Reducer

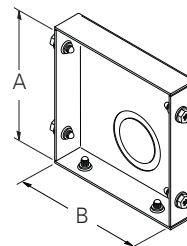
Catalog Number	A		B		C	
	in.	mm	in.	mm	in.	mm
2233 FR *	2.50	63	3.00	76	6.00	152
3344 FR *	3.00	76	4.00	102	8.00	203
4466 FR *	4.00	102	6.00	152	10.00	254
6688 FR *	6.00	152	8.00	203	12.00	305
881010 FR *	8.00	203	10.00	254	12.00	305
10101212 FR *	10.00	254	12.00	305	16.00	406

* Requires use of HSCA Adapter Style Connector.



Connector

Swing gate allows for lay-in of wire and cable.



End

Used to terminate wireway or fitting. Shown with KO, also available without.

Drawing shows screws in place. Screws are actually packaged in plastic bags.

Connector

Catalog Number			A		B	
Connector Style	Adapter Style	Universal Style	in.	mm	in.	mm
22 HSC	22 HSCA	22 HSCU	2.50	63	2.50	63
44 HSC	44 HSCA	44 HSCU	4.00	102	4.00	102
66 HSC	66 HSCA	66 HSCU	6.00	152	6.00	152
88 HSC	88 HSCA	88 HSCU	8.00	203	8.00	203
1010 HSC	1010 HSCA	1010 HSCU	10.00	254	10.00	254
1212 HSC	1212 HSCA	1212 HSCU	12.00	305	12.00	305

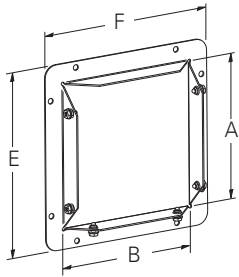
HSC - Standard Quick Connector
HSCA - For adapting to Type 1 Screw Cover Wireway
HSCU - For adapting to competitive Wireway

End

Catalog Number		A		B		KO	
KO	No KO	in.	mm	in.	mm	in.	mm
22 HSE	22 HSE NK	2.50	63	2.50	63	1.50	38
44 HSE	44 HSE NK	4.00	102	4.00	102	1.50	38
66 HSE	66 HSE NK	6.00	152	6.00	152	1.50	38
88 HSE	88 HSE NK	8.00	203	8.00	203	1.50	38
1010 HSE	1010 HSE NK	10.00	254	10.00	254	3.00	76
1212 HSE	1212 HSE NK	12.00	305	12.00	305	3.00	76

Notes: Dimensions are in inches. Millimeters shown are for reference only. Data subject to change without notice.

Lay-In Wireway Type 1 Quick-Connect Hinge Cover Illustration Sheet and Catalog Number

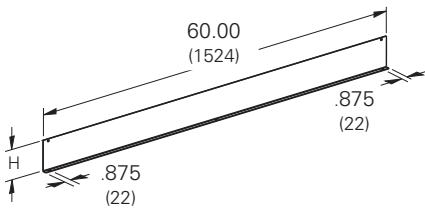


Wireway End Flange

Allows for a secure connection of wireway to an adjoining enclosure or wall.

Wireway End Flange

Catalog Number	A		B		E		F	
	in.	mm	in.	mm	in.	mm	in.	mm
22 HSF	2.50	63	2.50	63	4.00	102	4.00	102
44 HSF	4.00	102	4.00	102	5.50	140	5.50	140
66 HSF	6.00	152	6.00	152	7.50	191	7.50	191
88 HSF	8.00	203	8.00	203	9.50	241	9.50	241
1010 HSF	10.00	254	10.00	254	11.50	292	11.50	292
1212 HSF	12.00	305	12.00	305	13.50	343	13.50	343



Barrier, Bolt-On

For those installations that require separate wiring compartments.

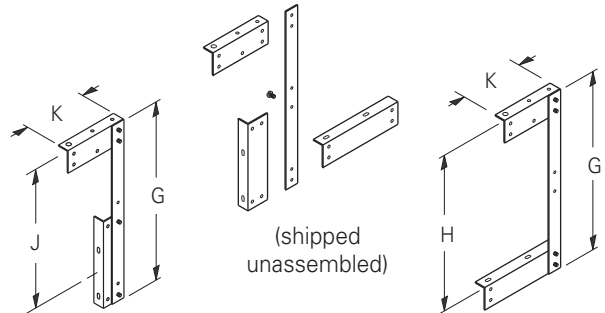
Barrier Kit, 60" Bolt-On

Catalog Number	Size		Length		H	
	in.	mm	in.	mm	in.	mm
22-12BK*	2.50 x 2.50	64 x 64	60.00	1524	1.88	48
33-12BK*	3.00 x 3.00	76 x 76	60.00	1524	2.25	57
44-12BK*	4.00 x 4.00	102 x 102	60.00	1524	3.00	76
66-12BK*	6.00 x 6.00	152 x 152	60.00	1524	4.50	114
88-12BK*	8.00 x 8.00	203 x 203	60.00	1524	6.00	152
1010-12BK*	10.00 x 10.00	254 x 254	60.00	1524	8.00	203
1212-12BK*	12.00 x 12.00	305 x 305	60.00	1524	10.50	267

*Not UL or CSA listed fitting.

Subclass: HS1

Wireway Hangers



Side Cover Assembly

For those installations where the wireway cover must be hinged at the side.

Top Cover Assembly

For those installations where the wireway cover must be hinged at the top.

Wireway Hanger

Catalog Number	G		H		J		K	
	in.	mm	in.	mm	in.	mm	in.	mm
22 FH	8.50	216	8.50	216	6.50	165	2.87	73
44 FH	12.50	318	10.50	267	10.37	263	4.87	121
66 FH	16.50	419	14.50	394	13.50	340	5.87	146
88 FH	20.50	521	18.50	495	16.75	425	6.87	171
1010 FH **	24.50	622	22.50	571	17.25	438	7.87	200
1212 FH **	28.50	724	26.50	673	20.25	514	8.87	225

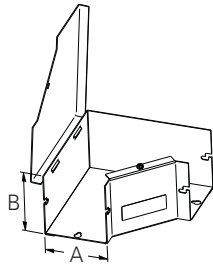
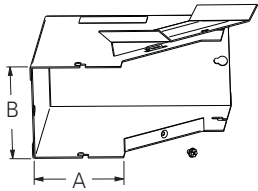
** Hangers are shipped welded in the top cover assembly position.

Notes: Dimensions are in inches. Millimeters shown are for reference only. Data subject to change without notice.

Lay-In Wireway Type 1 Quick-Connect Hinge Cover Illustration Sheet and Catalog Number

Subclass: HS1

Wireway 90° Elbows

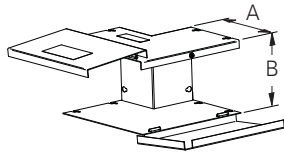


Inside Opening

Specifically designed to have only the inside cover hinge open to allow a continuous run with 90° turns.

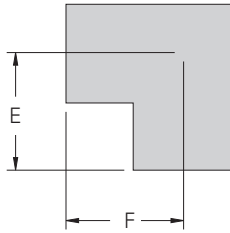
Side Opening

Side cover is hinged to allow a continuous run on designs with 90° sweeping turns.

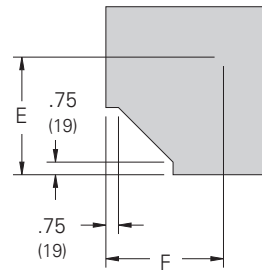


Outside Opening

Specifically designed to have the outside covers hinge open to allow a continuous run with 90° turns.



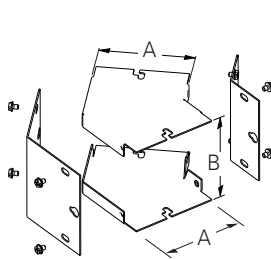
(outside opening)



(inside and side opening)

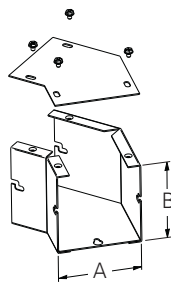
Catalog Number	A		B		E		F	
	in.	mm	in.	mm	in.	mm	in.	mm
22 HSL IN	2.50	63	2.50	63	3.31	84	3.31	84
44 HSL IN	4.00	102	4.00	102	4.06	103	4.06	103
66 HSL IN	6.00	152	6.00	152	5.06	128	5.06	128
88 HSL IN	8.00	203	8.00	203	6.06	154	6.06	154
1010 HSL IN	10.00	254	10.00	254	7.06	179	7.06	179
1212 HSL IN	12.00	305	12.00	305	8.06	205	8.06	205
22 HSL OUT	2.50	63	2.50	63	3.38	86	3.38	86
44 HSL OUT	4.00	102	4.00	102	4.09	104	4.09	104
66 HSL OUT	6.00	152	6.00	152	5.09	129	5.09	129
88 HSL OUT	8.00	203	8.00	203	6.09	154	6.09	154
1010 HSL OUT	10.00	254	10.00	254	7.09	180	7.09	180
1212 HSL OUT	12.00	305	12.00	305	8.09	205	8.09	205
22 HSL SIDE	2.50	63	2.50	63	3.50	89	3.50	89
44 HSL SIDE	4.00	102	4.00	102	4.32	110	4.32	110
66 HSL SIDE	6.00	152	6.00	152	5.31	135	5.31	135
88 HSL SIDE	8.00	203	8.00	203	6.31	160	6.31	160
1010 HSL SIDE	10.00	254	10.00	254	7.31	185	7.31	185
1212 HSL SIDE	12.00	305	12.00	305	8.31	211	8.31	211

Wireway 45° Elbows



Combo Opening

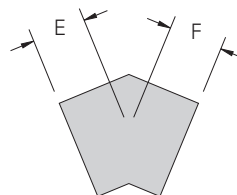
Designed to achieve a 45° turn. Inside and outside removable covers are secured with screws.



Side Opening

Designed to achieve a 45° turn and have the cover removed from the side. Excellent for combining two to make a gradual 90° sweep.

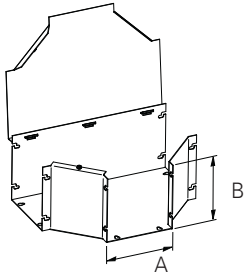
Catalog Number	A		B		E		F	
	in.	mm	in.	mm	in.	mm	in.	mm
2245 HSL COMBO	2.50	63	2.50	63	1.72	43	1.72	43
4445 HSL COMBO	4.00	102	4.00	102	2.75	70	2.75	70
6645 HSL COMBO	6.00	152	6.00	152	3.18	81	3.18	81
8845 HSL COMBO	8.00	203	8.00	203	3.62	92	3.62	92
101045 HSL COMBO	10.00	254	10.00	254	4.06	103	4.06	103
121245 HSL COMBO	12.00	305	12.00	305	4.50	114	4.50	114
2245 HSL SIDE	2.50	63	2.50	63	1.72	43	1.72	43
4445 HSL SIDE	4.00	102	4.00	102	2.75	70	2.75	70
6645 HSL SIDE	6.00	152	6.00	152	3.18	81	3.18	81
8845 HSL SIDE	8.00	203	8.00	203	3.62	92	3.62	92
101045 HSL SIDE	10.00	254	10.00	254	4.06	103	4.06	103
121245 HSL SIDE	12.00	305	12.00	254	4.50	114	4.50	114



Notes: Dimensions are in inches. Millimeters shown are for reference only. Data subject to change without notice.

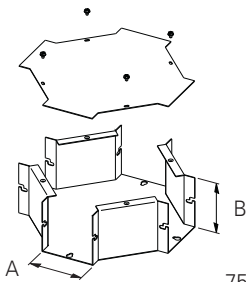
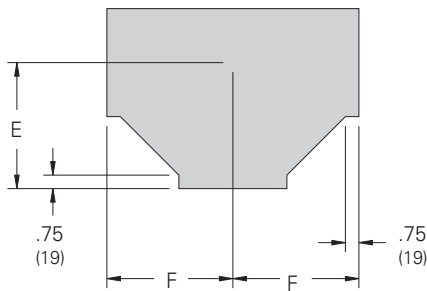
Lay-In Wireway Type 1 Quick-Connect Hinge Cover Illustration Sheet and Catalog Number

Subclass: HS1



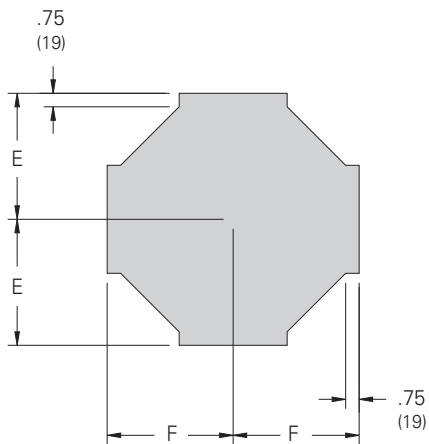
Tee
Side hinge cover design for applications where a "T" junction is necessary.

Catalog Number	A		B		E		F	
	in.	mm	in.	mm	in.	mm	in.	mm
22 HST	2.50	63	2.50	63	5.38	136	4.25	198
44 HST	4.00	102	4.00	102	6.15	156	6.12	155
66 HST	6.00	152	6.00	152	7.15	181	7.12	181
88 HST	8.00	203	8.00	203	8.15	207	8.12	206
1010 HST	10.00	254	10.00	254	9.15	232	9.12	231
1212 HST	12.00	305	12.00	305	10.15	258	10.12	257



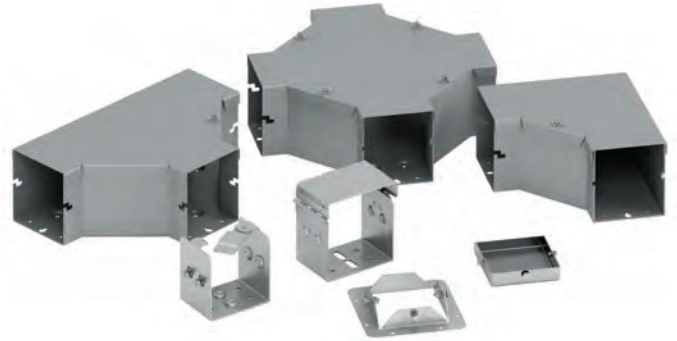
Cross
Side cover and broad body design to junction cable run in four directions. Removable cover is secured with screws.

Catalog Number	A		B		E		F	
	in.	mm	in.	mm	in.	mm	in.	mm
22 HSX	2.50	63	2.50	63	5.97	151	5.97	151
44 HSX	4.00	102	4.00	102	6.75	171	6.75	171
66 HSX	6.00	152	6.00	152	7.75	197	7.75	197
88 HSX	8.00	203	8.00	203	8.75	222	8.75	222
1010 HSX	10.00	254	10.00	254	9.75	247	9.75	247
1212 HSX	12.00	305	12.00	305	10.75	273	10.75	273



Notes: Dimensions are in inches. Millimeters shown are for reference only. Data subject to change without notice.

Lay-In Wireway Type 3R EnviroShield™ System Data Sheet



Install inside connector in wireway ends and tighten



Install and secure hinged covers



Install outside connector around wireway splice location



Latch shut (padlock can be installed if desired)

Application

- Houses runs of power, control and communication cable
- Used for cable and wire junction, distribution and termination

Standards

- UL 870 listed, Type 3R
- CSA C22.2 No. 26 certified, Type 3R
- Conforms to NEMA standard for Type 3R

Material & Finish

- Galvanealed steel with ANSI 61 gray acrylic electrocoat finish and zinc plated hardware
- Aluminum with stainless steel hardware

Accessories

- Sealing devices
- Touch-up paint
- See Accessories section

Protected by U.S. Patents 7,525,044 & 7,762,042

Construction

- Wireway body and cover are fabricated from code gauge steel, or brushed aluminum (see page 22)
- Wireway body has embossed mounting holes on the back
- Cover is secured to the body with gasketed retaining screw
- Variety of fittings allow runs which can change directions, size, junction and terminate, as well as, expansion and contraction
- Wireway connectors (sold separately) have a gate feature which can swing completely open allowing for lay-in of wire and cable
- Wireway connectors have a locking feature for optional pad-locking
- Removable hinge cover construction
- Z-slots for quick-connect connection method
- Wireways 120" (3048mm) in length have two overlapping covers

Discount Schedule: A2

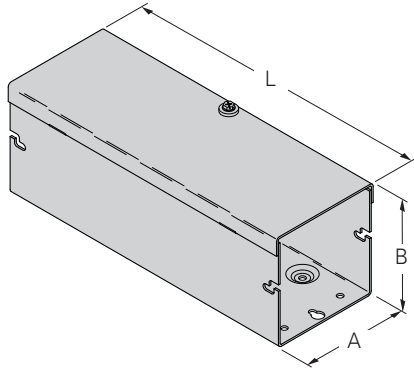
Subclass: RHS

Notes: We can provide special sizes, finishes and other modifications. Consult the factory for your special requirements.

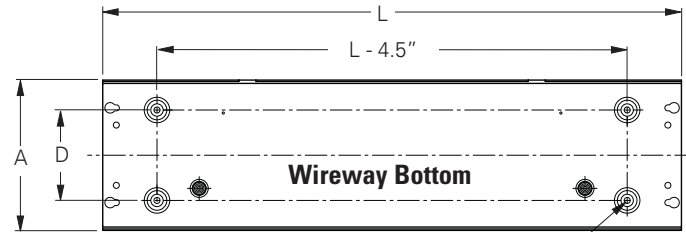
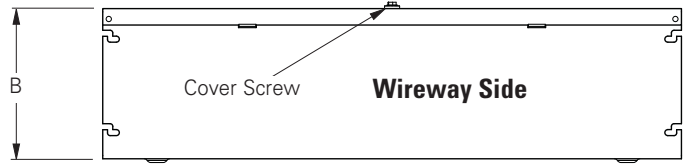
Lay-In Wireway Type 3R EnviroShield™ System Illustration Sheet and Catalog Number

Wireway Section

Lengths from 12.00" to 120.00".
Wireway exceeding 72.00" has two covers.



Subclass: RHS



Mounting Embossment
with .25" Dia. Hole (4)

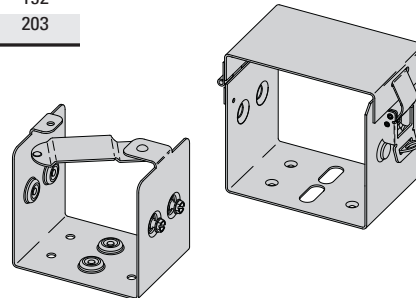
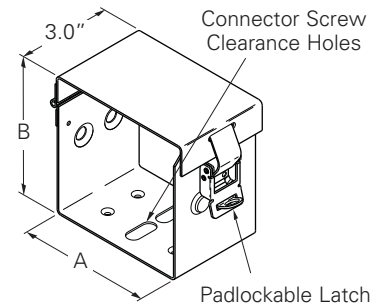
Wireway Catalog Number		Wireway Size		Mounting Hole Spacing		Material Thickness			
Steel	Aluminum	Height x Depth x Length		D		Steel		Aluminum	
		in.	mm	in.	mm	Gauge	mm	In.	mm
4412-3RHS NK	4412-3RAHS NK	4.00 x 4.00 x 12.00	101 x 101 x 305	2.25	57.1	16	1.52	0.080	2.03
4460-3RHS NK	4460-3RAHS NK	4.00 x 4.00 x 60.00	101 x 101 x 1524	2.25	57.1	16	1.52	0.080	2.03
44120-3RHS NK	44120-3RAHS NK	4.00 x 4.00 x 120.00	101 x 101 x 3048	2.25	57.1	16	1.52	0.080	2.03
6612-3RHS NK	6612-3RAHS NK	6.00 x 6.00 x 12.00	152 x 152 x 305	3.75	95.2	16	1.52	0.080	2.03
6660-3RHS NK	6660-3RAHS NK	6.00 x 6.00 x 60.00	152 x 152 x 1524	3.75	95.2	16	1.52	0.080	2.03
66120-3RHS NK	66120-3RAHS NK	6.00 x 6.00 x 120.00	152 x 152 x 3048	3.75	95.2	16	1.52	0.080	2.03
8812-3RHS NK	8812-3RAHS NK	8.00 x 8.00 x 12.00	203 x 203 x 305	5.75	146.0	16	1.52	0.080	2.03
8860-3RHS NK	8860-3RAHS NK	8.00 x 8.00 x 60.00	203 x 203 x 1524	5.75	146.0	16	1.52	0.080	2.03
88120-3RHS NK	88120-3RAHS NK	8.00 x 8.00 x 120.00	203 x 203 x 3048	5.75	146.0	16	1.52	0.080	2.03

NK = No Knockouts

Wireway Connectors

Swing gate allows for lay-in installation of wire and cable.
Wrap-around connector provides Type 3R rating and padlocking provision.

Connector Catalog Number		A		B	
Steel	Aluminum	in.	mm	in.	mm
44-3RHSC	44-3RAHSC	4.00	101	4.00	101
66-3RHSC	66-3RAHSC	6.00	152	6.00	152
88-3RHSC	88-3RAHSC	8.00	203	8.00	203



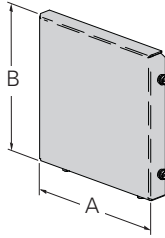
Notes: Dimensions are in inches. Millimeters shown are for reference only. Data subject to change without notice.

Lay-In Wireway Type 3R EnviroShield™ System Illustration Sheet and Catalog Number

Subclass: RHS

Wireway End

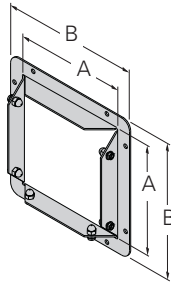
Used to terminate wireway or fitting.



Wireway End Catalog Number		A		B	
Steel	Aluminum	in.	mm	in.	mm
44-3RHSE NK	44-3RAHSE NK	4.00	101	4.00	101
66-3RHSE NK	66-3RAHSE NK	6.00	152	6.00	152
88-3RHSE NK	88-3RAHSE NK	8.00	203	8.00	203

Wireway End Flange

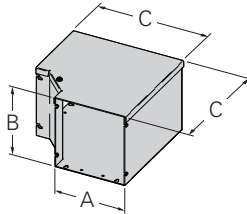
Allows for a secure connection of wireway or fitting to an adjoining enclosure or wall.



Wireway End Flange Catalog Number		A		B	
Steel	Aluminum	in.	mm	in.	mm
44-3RHSE NK	44-3RAHSE NK	4.00	101	4.00	101
66-3RHSE NK	66-3RAHSE NK	6.00	152	6.00	152
88-3RHSE NK	88-3RAHSE NK	8.00	203	8.00	203

Wireway 90° Elbow

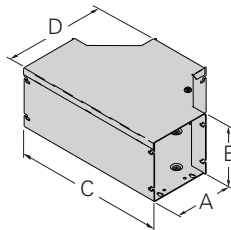
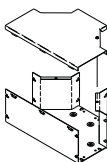
Side opening hinge cover design for applications where 90° turn is necessary.



Wireway 90° Elbow Catalog Number		A		B		C	
Steel	Aluminum	in.	mm	in.	mm	in.	mm
44-3RHSL SIDE	44-3RAHSL SIDE	4.00	101	4.00	101	8.84	224
66-3RHSL SIDE	66-3RAHSL SIDE	6.00	152	6.00	152	10.84	275
88-3RHSL SIDE	88-3RAHSL SIDE	8.00	203	8.00	203	12.84	326

Wireway Tee

Side opening hinge cover design for applications where a tee junction is necessary.



Wireway Tee Catalog Number		A		B		C		D	
Steel	Aluminum	in.	mm	in.	mm	in.	mm	in.	mm
44-3RHST	44-3RAHST	4.00	101	4.00	101	13.84	351	9.04	229
66-3RHST	66-3RAHST	6.00	152	6.00	152	15.84	402	11.04	280
88-3RHST	88-3RAHST	8.00	203	8.00	203	17.84	453	13.04	331

Notes: Dimensions are in inches. Millimeters shown are for reference only. Data subject to change without notice.

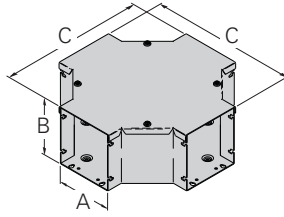
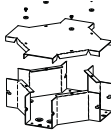
Cable & Wire Management

Lay-In Wireway Type 3R EnviroShield™ System Illustration Sheet and Catalog Number

Subclass: RHS

Wireway Cross

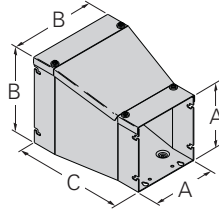
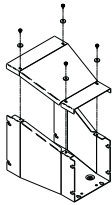
Side opening cover design for applications where a cross junction is necessary.



Wireway Cross Catalog Number		A		B		C	
Steel	Aluminum	in.	mm	in.	mm	in.	mm
44-3RSCX	44-3RASCX	4.00	101	4.00	101	13.84	351
66-3RSCX	66-3RASCX	6.00	152	6.00	152	15.84	402
88-3RSCX	88-3RASCX	8.00	203	8.00	203	17.84	453

Wireway Reducer

Screw opening cover design for applications where a change in wireway cross-section (height x width) is necessary.



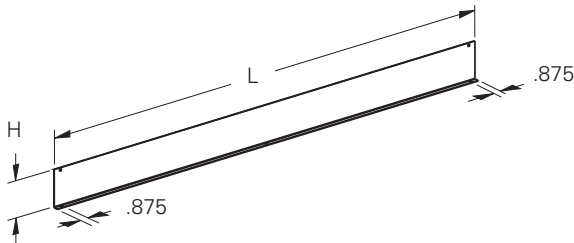
Wireway Reducer Catalog Number		A		B		C	
Steel	Aluminum	in.	mm	in.	mm	in.	mm
4466-3RSCR	4466-3RASCRCR	4.00	101	6.00	152	10.00	254
4488-3RSCR	4488-3RASCRCR	4.00	101	8.00	203	10.00	254
6688-3RSCR	6688-3RASCRCR	6.00	152	8.00	203	10.00	254

Bolt-On Barrier

For installations that require separated wiring compartments. An ideal solution for separating power from communication cables.

* Not UL or CSA listed fitting

Wireway Catalog Number		Wireway Size Height x Depth		Length L		Height H	
Steel	Aluminum	in.	mm	in.	mm	in.	mm
44-12BK*	44-3RBKA*	4.00 x 4.00	101 x 101	60.00	1524	3.00	76.2
66-12BK*	66-3RBKA*	6.00 x 6.00	152 x 152	60.00	1524	4.50	114.3
88-12BK*	88-3RBKA*	8.00 x 8.00	203 x 203	60.00	1524	6.00	152.4



Notes: Dimensions are in inches. Millimeters shown are for reference only. Data subject to change without notice.

Lay-In Wireway Type 12 Data Sheet



Application

- Houses runs of control and power cable
- Protects against circulating dust, falling dirt and dripping noncorrosive liquids

Standards

- UL 870 listed, unless noted
- CSA C22.2 No. 26 certified, unless noted
- Conforms to NEMA standard for Type 12

Finish

- Wash and phosphate undercoat
- ANSI 61 gray painted finish
- Hardware and latches are zinc plated

Accessories

- Touch-up paint
- See Accessories section

Construction

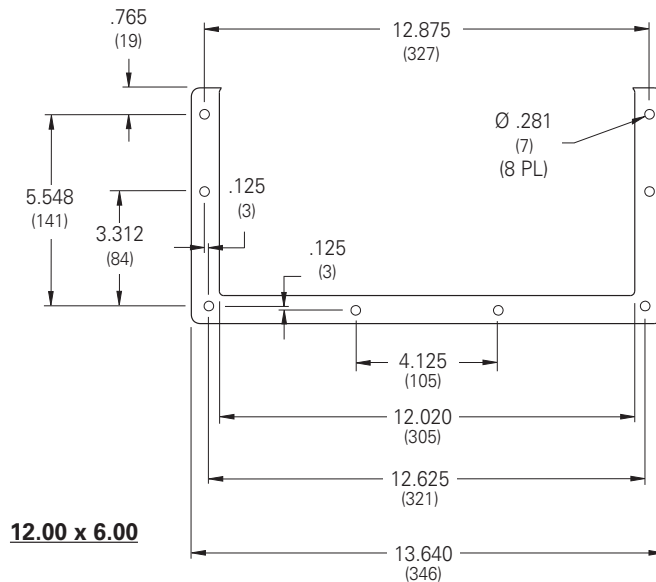
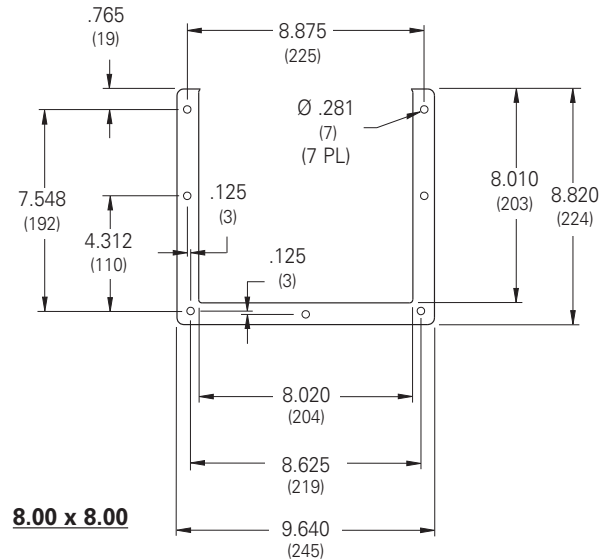
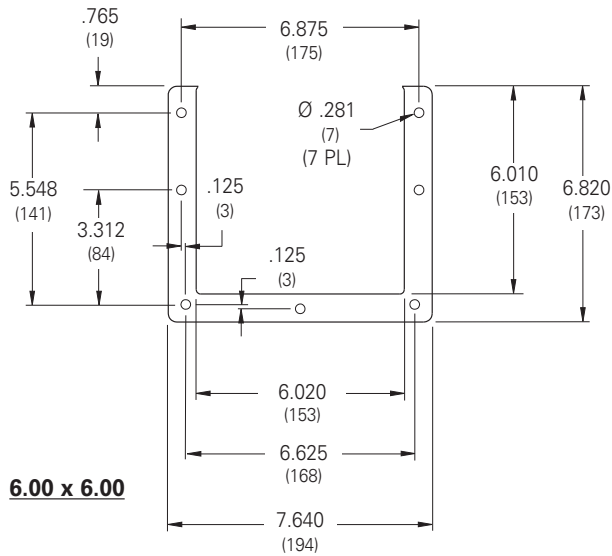
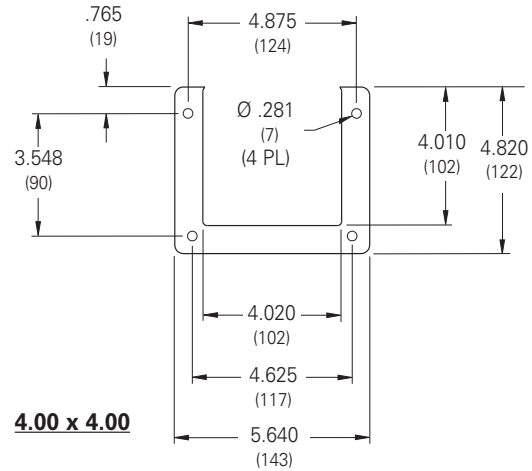
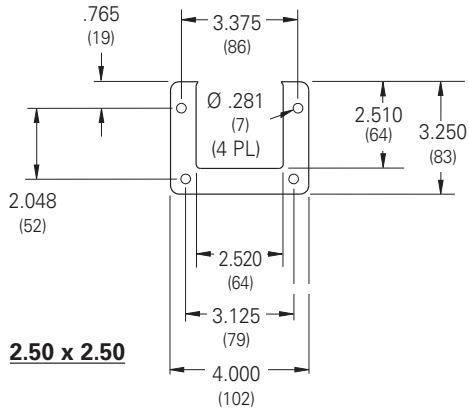
- Wireway body and cover are fabricated from (14) gauge steel
- Flanges are (10) gauge steel
- All continuous welded seams are finished smooth
- External and internal edges are rounded to prevent injury or damage to cable
- Covers are secured to the wireway and fitting body with heavy duty butt hinges and quick-release latches
- Covers have a fixed, oil-resistant gasket
- An oil-resistant gasket is provided for installation between flanges
- All covers and sealing plates can be hinged completely open or removed to allow for continuous lay-in cable feed
- All straight sections and fittings are furnished with sealing plate kits (see pages 26-30)

Discount Schedule: C2

Subclass: D90

Notes: We can provide special sizes, finishes and other modifications. Consult the factory for your special requirements.

Lay-In Wireway Type 12 Illustration Sheet

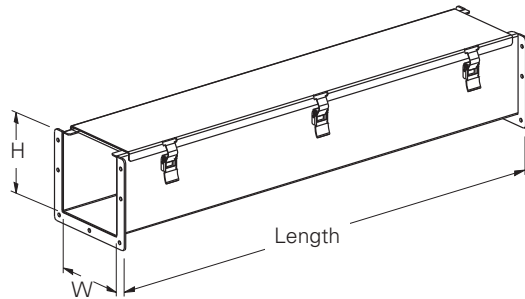


Flange Details

Notes: Dimensions are in inches. Millimeters shown are for reference only. Data subject to change without notice.

Lay-In Wireway Type 12

Illustration Sheet and Catalog Number



Straight Section

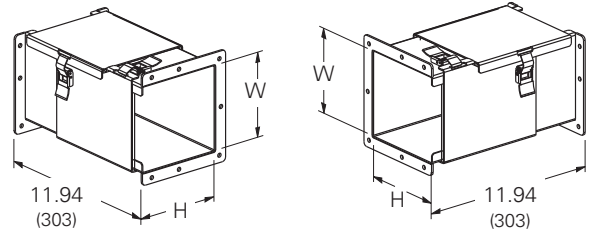
- Includes (1) sealing plate kit

Catalog Number	Size	H		W	
		in.	mm	in.	mm
22(*)-12LW	2.5 x 2.5	2.50	64	2.50	64
44(*)-12LW	4 x 4	4.00	102	4.00	102
66(*)-12LW	6 x 6	6.00	152	6.00	152
88(*)-12LW	8 x 8	8.00	203	8.00	203
126(*)-12LW	12 x 6	6.00	152	12.00	305

(*) Insert for length **04** = 4", **06** = 6", **12** = 12", **24** = 24", **36** = 36", **48** = 48", **60** = 60", **120** = 120".

For	Actual Length	
	in.	mm
4	3.94	100
6	5.94	151
12	11.94	303
24	23.94	608
36	35.94	913
48	47.94	1218
60	59.94	1522
120	119.94	3046

Subclass: D90



Transposition Wireway Sections

Clockwise (C)

- Includes (1) sealing plate kit

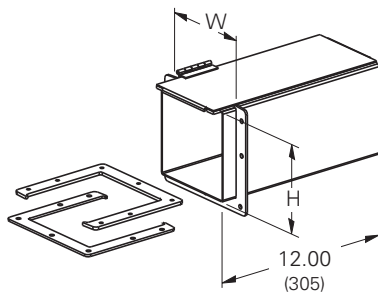
Counterclockwise (CC)

- Includes (1) sealing plate kit

Catalog Number	Size	H		W	
		in.	mm	in.	mm
22-12LTS(*)	2.5 x 2.5	2.50	64	2.50	64
44-12LTS(*)	4 x 4	4.00	102	4.00	102
66-12LTS(*)	6 x 6	6.00	152	6.00	152
88-12LTS(*)	8 x 8	8.00	203	8.00	203

(*) Insert **C** for Clockwise

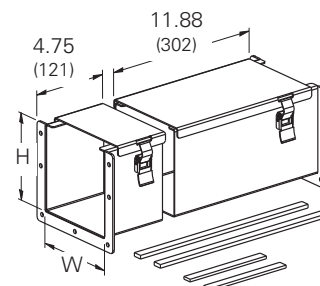
Insert **CC** for Counterclockwise



Telescopic Fitting, Lay-In

- Adjustable length from 1" to 7"
- Includes hardware
- No cutting or welding required

Catalog Number	Size	H		W	
		in.	mm	in.	mm
22-12LTF	2.5 x 2.5	2.32	59	2.32	59
44-12LTF	4 x 4	3.82	97	3.82	97
66-12LTF	6 x 6	5.82	148	5.82	148
88-12LTF	8 x 8	7.82	199	7.82	199
126-12LTF	12 x 6	5.82	148	11.82	300



Cut-Off Fitting, Lay-In

- Includes (1) sealing plate kit
- Shorten body and cover to desired length and weld together, 9.50" minimum length

Catalog Number	Size	H		W	
		in.	mm	in.	mm
22-12LCF	2.5 x 2.5	2.50	64	2.50	64
44-12LCF	4 x 4	4.00	102	4.00	102
66-12LCF	6 x 6	6.00	152	6.00	152
88-12LCF	8 x 8	8.00	203	8.00	203
126-12LCF	12 x 6	6.00	152	12.00	305

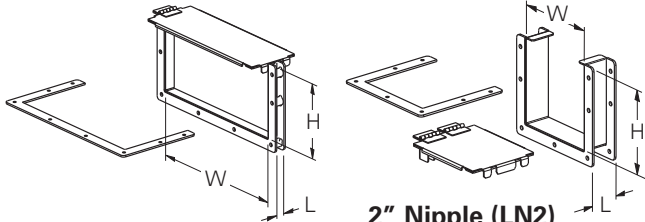
Notes: Dimensions are in inches. Millimeters shown are for reference only. Data subject to change without notice.

Cable & Wire Management

Lay-In Wireway Type 12

Illustration Sheet and Catalog Number

Subclass: D90



1" Nipple (LN1)

- Includes hardware

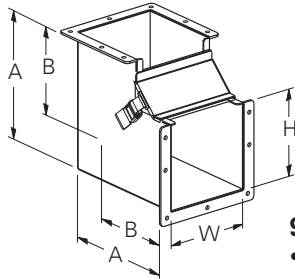
2" Nipple (LN2)

3" Nipple (LN3)

- Includes hardware

Catalog Number	Size	H		W	
		in.	mm	in.	mm
22-12LN(*)	2.5 x 2.5	2.50	64	2.50	64
44-12LN(*)	4 x 4	4.00	102	4.00	102
66-12LN(*)	6 x 6	6.00	152	6.00	152
88-12LN(*)	8 x 8	8.00	203	8.00	203
126-12LN(*)	12 x 6	6.00	152	12.00	305

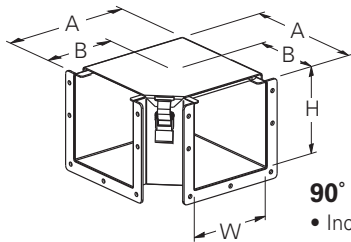
(*) Insert **1** for 1" nipple (L=.938")
 Insert **2** for 2" nipple (L=1.938")
 Insert **3** for 3" nipple (L=2.938")



90° Elbow, Inside Opening

- Includes (1) sealing plate kit

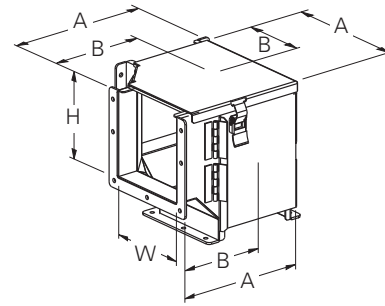
Catalog Number	Size	H		W		A		B	
		in.	mm	in.	mm	in.	mm	in.	mm
22-12LE9B	2.5 x 2.5	2.50	64	2.50	64	5.94	151	4.69	119
44-12LE9B	4 x 4	4.00	102	4.00	102	7.44	189	5.44	138
66-12LE9B	6 x 6	6.00	152	6.00	152	9.44	240	6.44	164
88-12LE9B	8 x 8	8.00	203	8.00	203	11.44	291	7.44	189
126-12LE9B	12 x 6	6.00	152	12.00	305	9.44	240	6.44	164



90° Elbow, Top Opening

- Includes (1) sealing plate kit

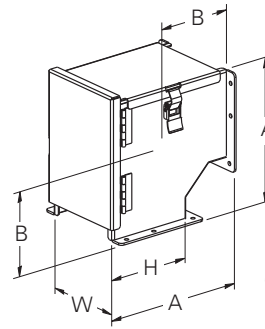
Catalog Number	Size	H		W		A		B	
		in.	mm	in.	mm	in.	mm	in.	mm
22-12LE9A	2.5 x 2.5	2.50	64	2.50	64	5.25	133	4.00	102
44-12LE9A	4 x 4	4.00	102	4.00	102	6.75	171	4.75	121
66-12LE9A	6 x 6	6.00	152	6.00	152	8.75	222	5.75	146
88-12LE9A	8 x 8	8.00	203	8.00	203	10.75	273	6.75	171
126-12LE9A	12 x 6	6.00	152	12.00	305	14.75	375	8.75	222



90° Elbow, Outside-Top Opening

- Includes (2) sealing plate kits

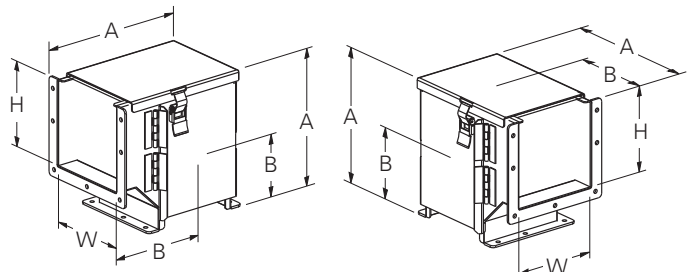
Catalog Number	Size	H		W		A		B	
		in.	mm	in.	mm	in.	mm	in.	mm
22-12LE9AC	2.5 x 2.5	2.50	64	2.50	64	5.94	151	4.69	119
44-12LE9AC	4 x 4	4.00	102	4.00	102	7.44	189	5.44	138
66-12LE9AC	6 x 6	6.00	152	6.00	152	9.44	240	6.44	164
88-12LE9AC	8 x 8	8.00	203	8.00	203	11.44	291	7.44	189



90° Elbow, Outside Opening

- Includes (1) sealing plate kit

Catalog Number	Size	H		W		A		B	
		in.	mm	in.	mm	in.	mm	in.	mm
22-12LE9C	2.5 x 2.5	2.50	64	2.50	64	5.94	151	4.69	119
44-12LE9C	4 x 4	4.00	102	4.00	102	7.44	189	5.44	138
66-12LE9C	6 x 6	6.00	152	6.00	152	9.44	240	6.44	164
88-12LE9C	8 x 8	8.00	203	8.00	203	11.44	291	7.44	189
126-12LE9C	12 x 6	6.00	152	12.00	305	9.44	240	6.44	164



90° Transposition Elbows

Clockwise (C)

- Includes (1) sealing plate kit

Counterclockwise (CC)

- Includes (1) sealing plate kit

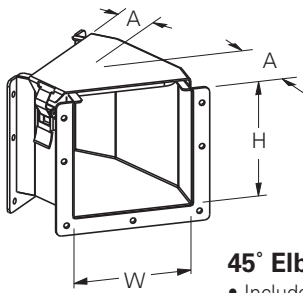
Catalog Number	Size	H		W		A		B	
		in.	mm	in.	mm	in.	mm	in.	mm
22-12LE9T(*)	2.5 x 2.5	2.50	64	2.50	64	5.94	151	4.69	119
44-12LE9T(*)	4 x 4	4.00	102	4.00	102	7.44	189	5.44	138
66-12LE9T(*)	6 x 6	6.00	152	6.00	152	9.44	240	6.44	164
88-12LE9T(*)	8 x 8	8.00	203	8.00	203	11.44	291	7.44	189

(*) Insert **C** for Clockwise, Insert **CC** for Counterclockwise

Notes: Dimensions are in inches. Millimeters shown are for reference only. Data subject to change without notice.

Lay-In Wireway Type 12

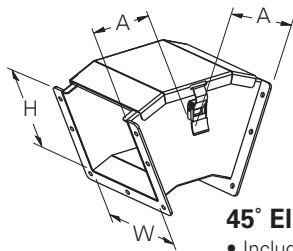
Illustration Sheet and Catalog Number



45° Elbow, Top Opening

• Includes (1) sealing plate kit

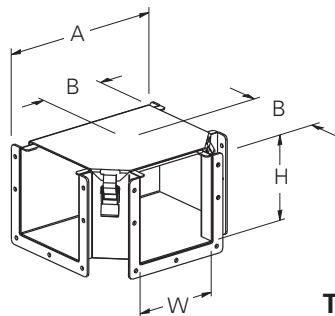
Catalog Number	Size	H		W		A	
		in.	mm	in.	mm	in.	mm
22-12LE45A	2.5 x 2.5	2.50	64	2.50	64	3.12	79
44-12LE45A	4 x 4	4.00	102	4.00	102	3.70	94
66-12LE45A	6 x 6	6.00	152	6.00	152	4.46	113
88-12LE45A	8 x 8	8.00	203	8.00	203	5.23	133
126-12LE45A	12 x 6	6.00	152	12.00	305	6.76	172



45° Elbow, Outside Opening

• Includes (1) sealing plate kit

Catalog Number	Size	H		W		A	
		in.	mm	in.	mm	in.	mm
22-12LE45C	2.5 x 2.5	2.50	64	2.50	64	2.65	67
44-12LE45C	4 x 4	4.00	102	4.00	102	3.51	89
66-12LE45C	6 x 6	6.00	152	6.00	152	3.91	99
88-12LE45C	8 x 8	8.00	203	8.00	203	4.24	108
126-12LE45C	12 x 6	6.00	152	12.00	305	3.91	89

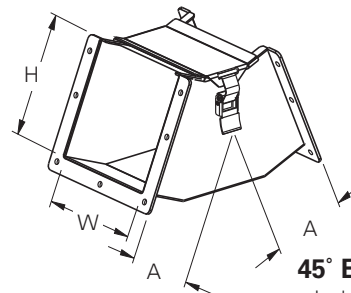


Tee, Top Opening

• Includes (2) sealing plate kits

Catalog Number	Size	H		W		A		B	
		in.	mm	in.	mm	in.	mm	in.	mm
22-12LTA	2.5 x 2.5	2.50	64	2.50	64	8.00	203	4.00	102
44-12LTA	4 x 4	4.00	102	4.00	102	9.50	241	4.75	121
66-12LTA	6 x 6	6.00	152	6.00	152	11.50	292	5.75	146
88-12LTA	8 x 8	8.00	203	8.00	203	13.50	343	6.75	171
126-12LTA	12 x 6	6.00	152	12.00	305	17.50	445	8.75	222

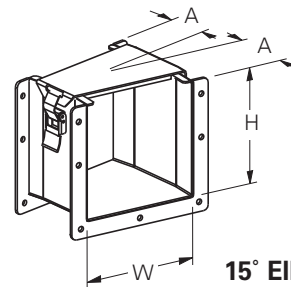
Subclass: D90



45° Elbow, Inside Opening

• Includes (1) sealing plate kit

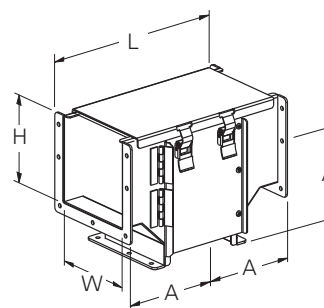
Catalog Number	Size	H		W		A	
		in.	mm	in.	mm	in.	mm
22-12LE45B	2.5 x 2.5	2.50	64	2.50	64	3.70	94
44-12LE45B	4 x 4	4.00	102	4.00	102	4.28	109
66-12LE45B	6 x 6	6.00	152	6.00	152	5.04	128
88-12LE45B	8 x 8	8.00	203	8.00	203	5.81	148
126-12LE45B	12 x 6	6.00	152	12.00	305	5.04	128



15° Elbow, Top Opening

• Includes (1) sealing plate kit

Catalog Number	Size	H		W		A	
		in.	mm	in.	mm	in.	mm
22-12LE15A	2.5 x 2.5	2.50	64	2.50	64	2.57	65
44-12LE15A	4 x 4	4.00	102	4.00	102	2.77	70
66-12LE15A	6 x 6	6.00	152	6.00	152	3.03	77
88-12LE15A	8 x 8	8.00	203	8.00	203	3.29	84
126-12LE15A	12 x 6	6.00	152	12.00	305	3.81	97



Tee, Outside Opening

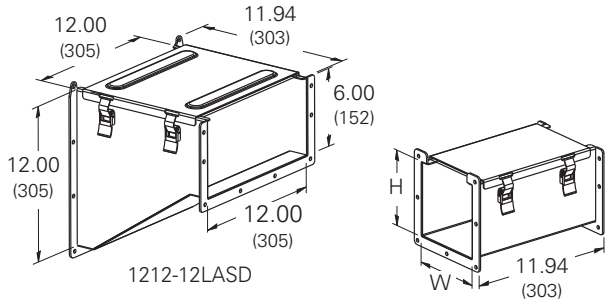
• Includes (2) sealing plate kits

Catalog Number	Size	H		W		A		L	
		in.	mm	in.	mm	in.	mm	in.	mm
22-12LTC	2.5 x 2.5	2.50	64	2.50	64	4.69	119	9.38	238
44-12LTC	4 x 4	4.00	102	4.00	102	5.44	138	10.88	264
66-12LTC	6 x 6	6.00	152	6.00	152	6.44	164	12.88	314
88-12LTC	8 x 8	8.00	203	8.00	203	7.44	189	14.88	365

Notes: Dimensions are in inches. Millimeters shown are for reference only. Data subject to change without notice.

Lay-In Wireway Type 12

Illustration Sheet and Catalog Number

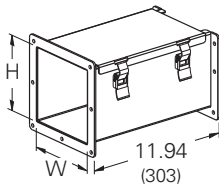


Adapters

- Includes (2) sealing plate kits

Catalog Number	Size	Competitor	H		W	
			in.	mm	in.	mm
22-12LAHW	2.5 x 2.5	Hoffman®† or Wiegmann®†	2.50	64	2.50	64
44-12LAHW	4 x 4		4.00	102	4.00	102
66-12LAHW	6 x 6		6.00	152	6.00	152
88-12LAHW	8 x 8		8.00	203	8.00	203
126-12LAHW	12 x 6		6.00	152	12.00	305
22-12LASD	2.5 x 2.5	Square D®†	2.50	64	2.50	64
44-12LASD	4 x 4		4.00	102	4.00	102
66-12LASD	6 x 6		6.00	152	6.00	152
88-12LASD	8 x 8		8.00	203	8.00	203
126-12LASD	12 x 6		6.00	152	12.00	305
22-12LAHM	2.5 x 2.5	Hammond Mfg.™†	2.50	64	2.50	64
44-12LAHM	4 x 4		4.00	102	4.00	102
66-12LAHM	6 x 6		6.00	152	6.00	152
88-12LAHM	8 x 8		8.00	203	8.00	203
126-12LAHM	12 x 6		6.00	152	12.00	305

† Marks are the property of their respective owners.

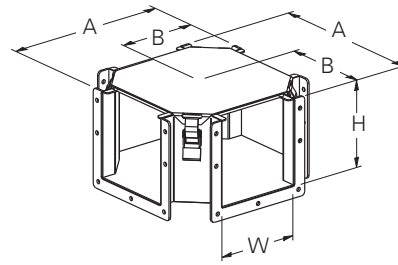


Lay-In to Feed Through Adapter

- Includes (1) sealing plate kit and (1) gasket kit

Catalog Number	Size	H		W	
		in.	mm	in.	mm
44-12LAFW	4 x 4	4.00	102	4.00	102
66-12LAFW	6 x 6	6.00	152	6.00	152
88-12LAFW	8 x 8	8.00	203	8.00	203

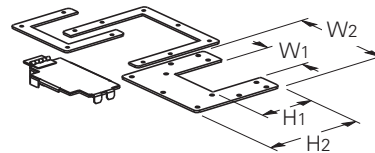
Subclass: D90



Cross, Top Opening

- Includes (3) sealing plate kits

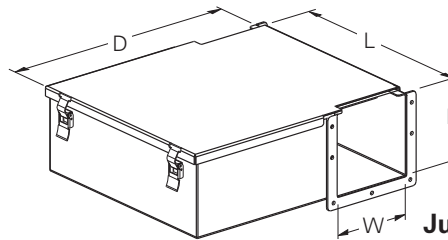
Catalog Number	Size	H		W		A		B	
		in.	mm	in.	mm	in.	mm	in.	mm
22-12LC	2.5 x 2.5	2.50	64	2.50	64	8.00	203	4.00	102
44-12LC	4 x 4	4.00	102	4.00	102	9.50	241	4.75	121
66-12LC	6 x 6	6.00	152	6.00	152	11.50	292	5.75	146
88-12LC	8 x 8	8.00	203	8.00	203	13.50	343	6.75	171
126-12LC	12 x 6	6.00	152	12.00	152	17.50	445	8.75	222



Reducer

- Includes hardware

Catalog Number	Size	H1		H2		W1		W2	
		in.	mm	in.	mm	in.	mm	in.	mm
4422-12LR	4 x 4 to 2.5 x 2.5	2.44	62	4.82	122	2.38	60	5.64	143
6644-12LR	6 x 6 to 4 x 4	3.94	100	6.82	173	3.88	99	7.64	194
8866-12LR	8 x 8 to 6 x 6	5.94	151	8.82	224	5.88	149	9.64	245
12644-12LR	12 x 6 to 4 x 4	3.94	100	6.82	173	3.88	99	13.64	346
12666-12LR	12 x 6 to 6 x 6	5.94	151	6.82	173	5.88	149	13.64	346



Junction Box

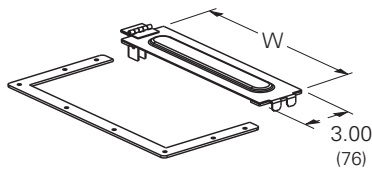
- Includes (1) junction box sealing plate kit and (1) of the following removable panels:
 22-12LJB = AW108P
 44-12LJB = AW1210P
 66-12LJB = AW1412P
 88-12LJB = AW1614P

Catalog Number	Size	H		W		L		D	
		in.	mm	in.	mm	in.	mm	in.	mm
22-12LJB	2.5 x 2.5	2.50	64	2.50	64	11.59	294	10.25	260
44-12LJB	4 x 4	4.00	102	4.00	102	13.59	345	14.00	356
66-12LJB	6 x 6	6.00	152	6.00	152	15.59	396	18.00	457
88-12LJB	8 x 8	8.00	203	8.00	203	17.59	447	22.00	559

Notes: Dimensions are in inches. Millimeters shown are for reference only. Data subject to change without notice.

Lay-In Wireway Type 12

Illustration Sheet and Catalog Number

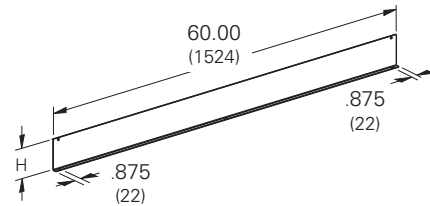


Sealing Plate, Flat

- Includes hardware

Catalog Number	Size	W	
		in.	mm
22-12LSP	2.5 x 2.5	2.50	64
44-12LSP	4 x 4	4.00	102
66-12LSP	6 x 6	6.00	152
88-12LSP	8 x 8	8.00	203
126-12LSP	12 x 6	12.00	305

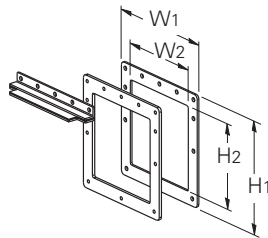
Subclass: D90



Barrier, Bolt-On

- Includes hardware

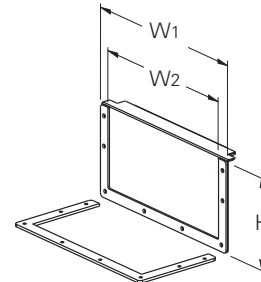
Catalog Number	Size	H	
		in.	mm
22-12BK	2.5 x 2.5	1.88	48
44-12BK	4 x 4	3.00	76
66-12BK	6 x 6	4.50	114
88-12BK	8 x 8	6.00	152
66-12BK	12 x 6	4.50	114



Box Connector

- Includes hardware

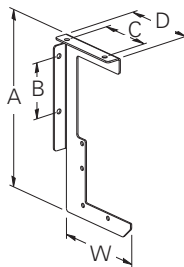
Catalog Number	Size	H1	H2	W1	W2		
		in.	mm	in.	mm	in.	mm
22-12LBC	2.5 x 2.5	4.10	104	2.35	60	4.10	104
44-12LBC	4 x 4	5.74	146	3.85	72	5.74	146
66-12LBC	6 x 6	7.74	197	5.85	123	7.74	197
88-12LBC	8 x 8	9.74	247	7.85	174	9.74	247
126-12LBC	12 x 6	7.74	197	5.85	123	13.74	301



Closure Plate

- Includes hardware

Catalog Number	Size	H	W1	W2		
		in.	mm	in.	mm	in.
22-12LCP	2.5 x 2.5	2.50	64	4.00	102	2.50
44-12LCP	4 x 4	4.00	102	5.64	143	4.00
66-12LCP	6 x 6	6.00	152	7.64	194	6.00
88-12LCP	8 x 8	8.00	203	9.64	245	8.00
126-12LCP	12 x 6	6.00	152	13.64	346	12.00

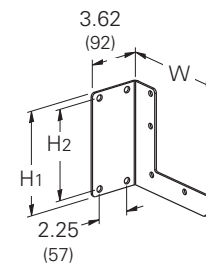


Drop

Catalog Number	Size	W	A	B	C	D	
		in.	mm	in.	mm	in.	mm
22-12LDH	2.5 x 2.5	4.50	114	8.75	222	1.50	38
44-12LDH	4 x 4	6.00	152	11.75	298	3.00	76
66-12LDH	6 x 6	8.50	216	16.00	406	5.00	127
88-12LDH	8 x 8	10.50	267	20.00	508	7.00	178

Wireway Hangers

- Includes wireway to bracket mounting hardware
- Anchors not included



Bracket

Catalog Number	Size	H1	H2	W	
		in.	mm	in.	mm
22-12LBH	2.5 x 2.5	3.38	86	2.50	64
44-12LBH	4 x 4	4.88	124	4.00	102
66-12LBH	6 x 6	7.13	181	6.25	159
88-12LBH	8 x 8	9.13	232	8.25	210

Notes: Dimensions are in inches. Millimeters shown are for reference only. Data subject to change without notice.

Feed-Through Wireway Type 12 Data Sheet



Application

- Houses runs of control and power cable
- Protects against circulating dust, falling dirt and dripping noncorrosive liquids

Standards

- UL 870 listed, unless noted
- CSA C22.2 No. 26 certified, unless noted
- Conforms to NEMA standard for Type 12

Finish

- Wash and phosphate undercoat
- ANSI 61 gray painted finish
- Hardware and latches are zinc plated

Accessories

- Touch-up paint
- See Accessories section

Construction

- Wireway body and cover are fabricated from (14) gauge steel
- Flanges are (10) gauge steel
- All continuous welded seams are finished smooth
- External and internal edges are rounded to prevent injury or damage to cable
- Covers are secured to the wireway body with heavy-duty hinges on one side and easy-to-operate screw clamps mounted to the opposite side
- Continuous flanged ends assure rigid connections of wireway and fittings
- Covers have a seamless poured in-place gasket
- An oil-resistant gasket is provided for installation between flanges

Discount Schedule: C2

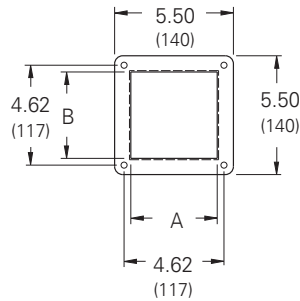
Subclass: DA0

Notes: We can provide special sizes, finishes and other modifications. Consult the factory for your special requirements.

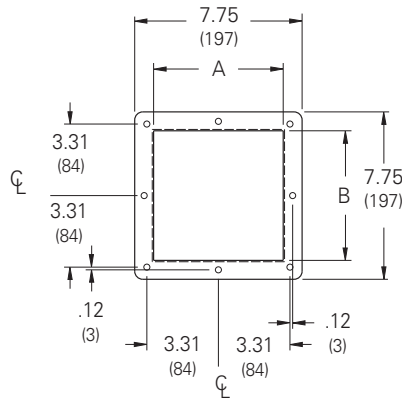
Feed-Through Wireway Type 12

Illustration Sheet and Catalog Number

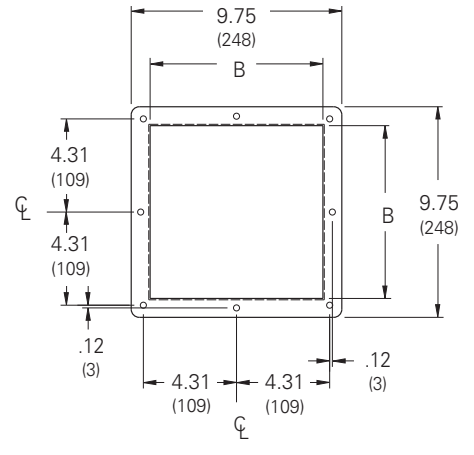
Subclass: DA0



4.00 x 4.00

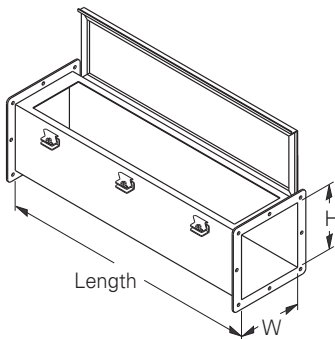


6.00 x 6.00



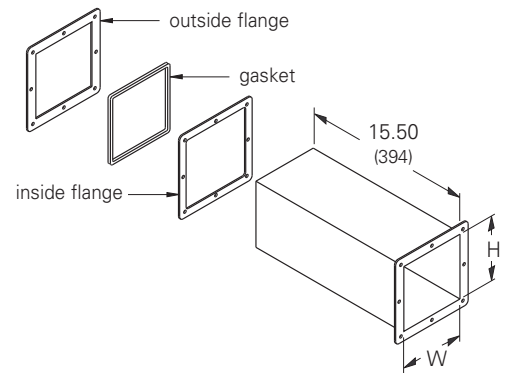
8.00 x 8.00

Flange Detail



Wireway Section

- Lengths from 12.00" (305 mm) to 120.00" (3048 mm)



Straight Section

- Includes (1) gasket kit

Catalog Number	Size	H		W	
		in.	mm	in.	mm
44(*)-12FW	4 x 4	4.00	102	4.00	102
66(*)-12FW	6 x 6	6.00	152	6.00	152
88(*)-12FW	8 x 8	8.00	203	8.00	203

(*) Insert for length **12** = 12", **24** = 24", **36** = 36", **48** = 48", **60** = 60", **120** = 120".

For	Actual Length	
	in.	mm
12	11.94	303
24	23.94	608
36	35.94	913
48	47.94	1218
60	59.94	1522
120	119.94	3046

Telescopic Fitting

- Adjustable lengths from 1.50" (38 mm) to 13.50" (343 mm)
- No cutting or welding required

Catalog Number	Size	H		W	
		in.	mm	in.	mm
44-12FTF *	4 x 4	3.82	97	3.82	97
66-12FTF *	6 x 6	5.82	148	5.82	148
88-12FTF *	8 x 8	7.82	199	7.82	199

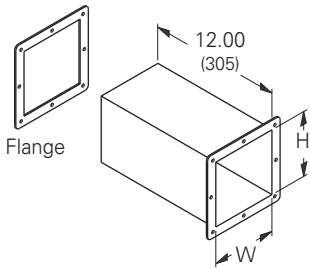
* Not UL or CSA Listed fitting.

Notes: Dimensions are in inches. Millimeters shown are for reference only. Data subject to change without notice.

Feed-Through Wireway Type 12

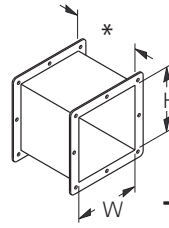
Illustration Sheet and Catalog Number

Subclass: DAO



Cut-Off Fitting

- Length up to 12.00" (305 mm)
- Shorten to desired length and weld on flange



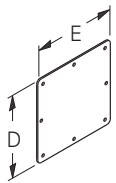
Nipple

- * Lengths from 1.00" (25 mm) to 6.00" (152 mm)

Catalog Number	Size	H in. mm	W in. mm
44-12FCF	4 x 4	4.00 102	4.00 102
66-12FCF	6 x 6	6.00 152	6.00 152
88-12FCF	8 x 8	8.00 203	8.00 203

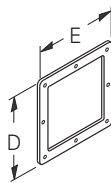
Catalog Number	Size	H in. mm	W in. mm
44-12FN(*)	4 x 4	4.00 102	4.00 102
66-12FN(*)	6 x 6	6.00 152	6.00 152
88-12FN(*)	8 x 8	8.00 203	8.00 203

(*) Insert **1** for 1" nipple (L = .938")
 Insert **2** for 2" nipple (L = 1.938")
 Insert **3** for 3" nipple (L = 2.938")
 Insert **6** for 6" nipple (L = 5.938")



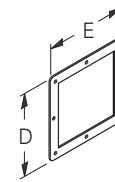
Closure Plate

- Includes hardware



Box Connector

- Includes hardware

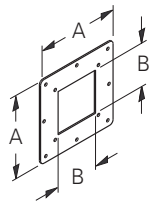


Gasket

Catalog Number	Size	D in. mm	E in. mm
44-12FCP	4 x 4	5.50 140	5.50 140
66-12FCP	6 x 6	7.75 197	7.75 197
88-12FCP	8 x 8	9.75 248	9.75 248

Catalog Number	Size	D in. mm	E in. mm
44-12FBC	4 x 4	5.50 140	5.50 140
66-12FBC	6 x 6	7.75 197	7.75 197
88-12FBC	8 x 8	9.75 248	9.75 248

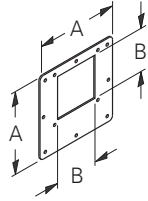
Catalog Number	Size	D in. mm	E in. mm
44-12FGK	4 x 4	5.50 140	5.50 140
66-12FGK	6 x 6	7.75 197	7.75 197
88-12FGK	8 x 8	9.75 248	9.75 248



Center

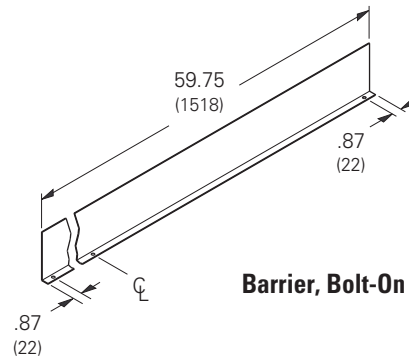
Reducer

- Includes hardware



Edge

Catalog Number Center	Catalog Number Edge	Size	A in. mm	B in. mm
6644-12FRC	6644-12FRE	6 to 4	5.50 140	4.00 102
8866-12FRC	8866-12FRE	8 to 6	7.75 197	6.00 152



Barrier, Bolt-On

Catalog Number	Size	Height in. mm
44-12BK	4 x 4	3.00 76
66-12BK	6 x 6	4.50 114
88-12BK	8 x 8	6.00 152

Notes: Dimensions are in inches. Millimeters shown are for reference only. Data subject to change without notice.

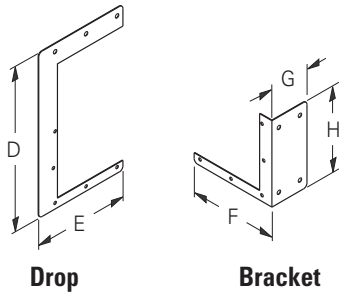
Feed-Through Wireway Type 12

Illustration Sheet and Catalog Number

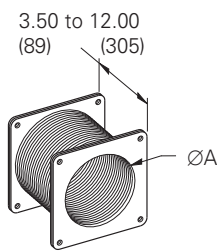
Subclass: DAO

Wireway Hangers

- Includes wireway to bracket mounting hardware
- Anchors not included



Catalog Number Drop	Catalog Number Bracket	Size	D		E		F		G		H	
			in.	mm	in.	mm	in.	mm	in.	mm	in.	mm
44-12DH	44-12BH	4 x 4	12.00	305	6.00	152	6.25	159	3.62	92	6.00	152
66-12DH	66-12BH	6 x 6	16.00	406	8.25	210	8.50	216	3.62	92	8.00	203
88-12DH	88-12BH	8 x 8	20.75	527	20.00	311	10.50	267	3.62	92	11.37	289

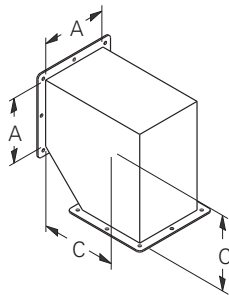


Flexible Fitting

- Isolates wireway from shock or vibration and compensates for misalignment. 90° maximum angle. Hypalon bellow with steel flanges.

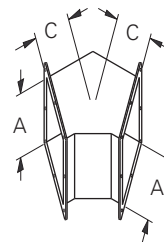
Catalog Number	Size	ØA	
		in.	mm
44-12FFF *	4 x 4	4.00	102
66-12FFF *	6 x 6	6.00	152
88-12FFF *	8 x 8	8.00	203

* Not UL or CSA Listed fitting.



90° Elbow

- Includes (1) gasket & hardware

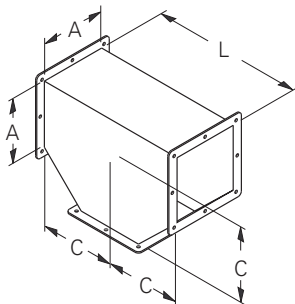


45° Elbow

- Includes (1) gasket & hardware

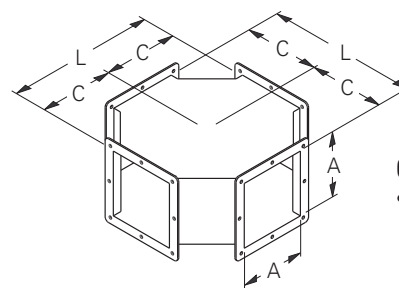
Catalog Number	Size	A		C	
		in.	mm	in.	mm
44-12FE9	4 x 4	4.00	102	6.00	152
66-12FE9	6 x 6	6.00	152	7.00	178
88-12FE9	8 x 8	8.00	203	8.00	203

Catalog Number	Size	A		C	
		in.	mm	in.	mm
44-12FE45	4 x 4	4.00	102	2.50	64
66-12FE45	6 x 6	6.00	152	2.93	74
88-12FE45	8 x 8	8.00	203	3.31	84



Tee

- Includes (2) gaskets & hardware



Cross

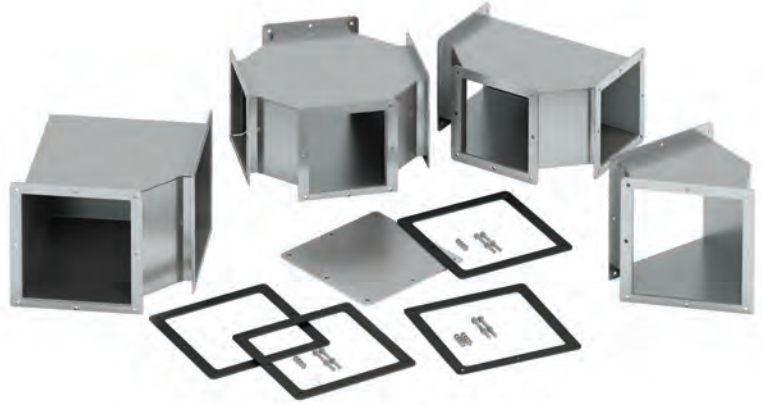
- Includes (3) gaskets & hardware

Catalog Number	Size	A		C		L	
		in.	mm	in.	mm	in.	mm
44-12FT	4 x 4	4.00	102	6.00	152	12.00	305
66-12FT	6 x 6	6.00	152	7.00	178	14.00	356
88-12FT	8 x 8	8.00	203	8.00	203	16.00	406

Catalog Number	Size	A		C		L	
		in.	mm	in.	mm	in.	mm
44-12FC	4 x 4	4.00	102	6.00	152	12.00	305
66-12FC	6 x 6	6.00	152	7.00	178	14.00	356
88-12FC	8 x 8	8.00	203	8.00	203	16.00	406

Notes: 'C' dimensions are from intersection of center lines. All dimensions are to inside surfaces. Allow .12" (3mm) for flange gasket when joining pieces. Flange holes are .28" dia. (7mm). Flange radii are .37" (9mm). Dimensions are in inches. Millimeters shown are for reference only. Data subject to change without notice.

Feed-Through Wireway Type 4X Data Sheet



Application

- Houses runs of control and power cables
- Intended for indoor or outdoor use where a corrosive environment exists
- Protects against corrosion, windblown dust and rain, splashing water and hose-directed water

Standards

- UL 870 listed, unless noted
- CSA C22.2 No. 26 certified, unless noted
- Conforms to NEMA standard for Type 4X

Finish

- Outer surface of wireway body and cover has a smooth brushed finish
- Wireway body and cover is also available in Type 316 stainless steel upon special request

Accessories

- Box connector
- Closure plate
- Barrier kit
- Bracket hanger
- Drop hanger

Construction

- Wireway body and cover are fabricated from Type 304 stainless steel
- Flanges are (10) gauge stainless steel
- All continuous welded seams are finished smooth
- External and internal edges are rounded to prevent injury or damage to cable
- Covers are secured to the wireway body with heavy-duty hinges on one side and easy-to-operate screw clamps mounted to the opposite side
- Continuous flanged ends assure rigid connections of wireway and fittings
- Cover has a seamless poured in-place gasket
- An oil-resistant gasket is provided for installation between flanges

Discount Schedule: C2

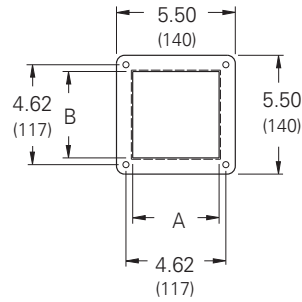
Subclass: Z70

Notes: We can provide special sizes, finishes and other modifications. Consult the factory for your special requirements.

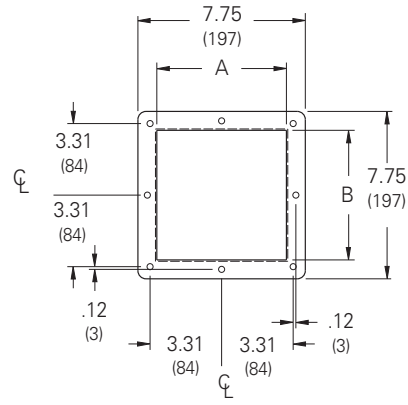
Feed-Through Wireway Type 4X

Illustration Sheet and Catalog Number

Subclass: Z70

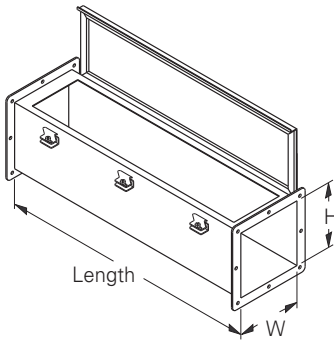


4.00 x 4.00



6.00 x 6.00

Flange Detail



Wireway Section

- Lengths from 12.00" (305 mm) to 120.00" (3048 mm)

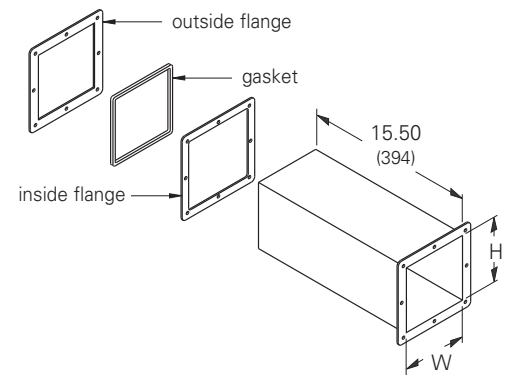
For	Actual Length	
	in.	mm
12	11.94	303
24	23.94	608
36	35.94	913
48	47.94	1218
60	59.94	1522
120	119.94	3046

Straight Section

- Includes (1) gasket kit

Catalog Number	Size	H		W	
		in.	mm	in.	mm
44(*)-4XSFW	4 x 4	4.00	102	4.00	102
66(*)-4XSFW	6 x 6	6.00	152	6.00	152

(*) Insert for length **12** = 12", **24** = 24", **36** = 36", **48** = 48", **60** = 60", **120** = 120".



Telescopic Fitting

- Adjustable lengths from 1.50" (38 mm) to 13.50" (343 mm)
- No cutting or welding required

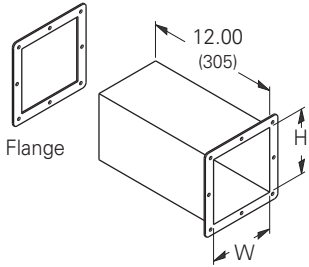
Catalog Number	Size	H		W	
		in.	mm	in.	mm
44-4XSFTF *	4 x 4	3.82	97	3.82	97
66-4XSFTF *	6 x 6	5.82	148	5.82	148

* Not UL or CSA Listed fitting.

Notes: Dimensions are in inches. Millimeters shown are for reference only. Data subject to change without notice.

Feed-Through Wireway Type 4X Illustration Sheet and Catalog Number

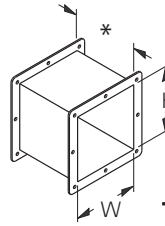
Subclass: Z70



Cut-Off Fitting

- Length up to 12.00" (305 mm)
- Shorten to desired length and weld on flange

Catalog Number	Size	H in. mm	W in. mm
44-4XSFCF	4 x 4	4.00 102	4.00 102
66-4XSFCF	6 x 6	6.00 152	6.00 152

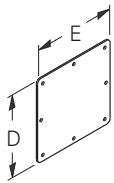


Nipple

- * Lengths from 1.00" (25 mm) to 6.00" (152 mm)

Catalog Number	Size	H in. mm	W in. mm
44-4XSFN(*)	4 x 4	4.00 102	4.00 102
66-4XSFN(*)	6 x 6	6.00 152	6.00 152

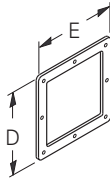
- (*) Insert **1** for 1" nipple (L = .938")
- Insert **2** for 2" nipple (L = 1.938")
- Insert **3** for 3" nipple (L = 2.938")
- Insert **6** for 6" nipple (L = 5.938")



Closure Plate

- Includes hardware

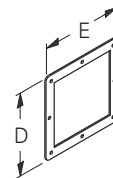
Catalog Number	Size	D in. mm	E in. mm
44-4XSFCP	4 x 4	5.50 140	5.50 140
66-4XSFCP	6 x 6	7.75 197	7.75 197



Box Connector

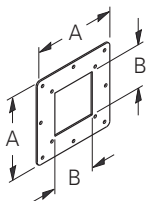
- Includes hardware

Catalog Number	Size	D in. mm	E in. mm
44-4XSFBC	4 x 4	5.50 140	5.50 140
66-4XSFBC	6 x 6	7.75 197	7.75 197



Gasket Kit

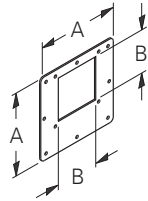
Catalog Number	Size	D in. mm	E in. mm
44-4XSGFK	4 x 4	5.50 140	5.50 140
66-4XSGFK	6 x 6	7.75 197	7.75 197



Center

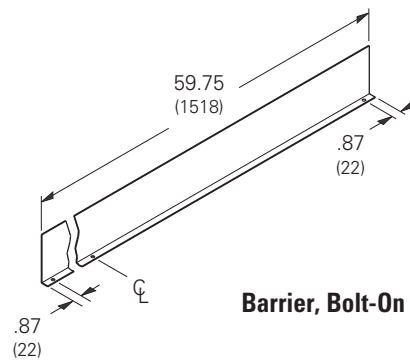
Reducer

- Includes hardware



Edge

Catalog Number Center	Catalog Number Edge	Size	A in. mm	B in. mm
6644-4XSFR	6644-4XSFRE	6 to 4	5.50 140	4.00 102



Barrier, Bolt-On

Catalog Number	Size	Height in. mm
44-12BK	4 x 4	3.00 76
66-12BK	6 x 6	4.50 114

Notes: Dimensions are in inches. Millimeters shown are for reference only. Data subject to change without notice.

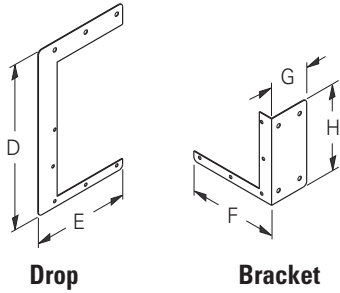
Feed-Through Wireway Type 4X

Illustration Sheet and Catalog Number

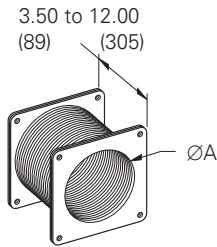
Subclass: Z70

Wireway Hangers

- Includes wireway to bracket mounting hardware
- Anchors not included



Catalog Number Drop	Catalog Number Bracket	Size	D in. mm	E in. mm	F in. mm	G in. mm	H in. mm
44-4XSDH	44-4XSBH	4 x 4	12.00 305	6.00 152	6.25 159	3.62 92	6.00 152
66-4XSDH	66-4XSBH	6 x 6	16.00 406	8.25 210	8.50 216	3.62 92	8.00 203

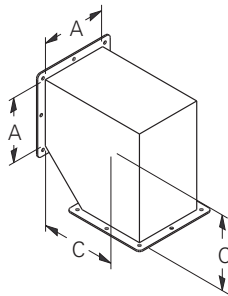


Flexible Fitting

- Isolates wireway from shock or vibration and compensates for misalignment. 90° maximum angle. Hypalon bellow with steel flanges.

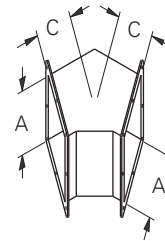
Catalog Number	Size	ØA in. mm
44-4XSFFF *	4 x 4	4.00 102
66-4XSFFF *	6 x 6	6.00 152

* Not UL or CSA Listed fitting.



90° Elbow

- Includes (1) gasket & hardware

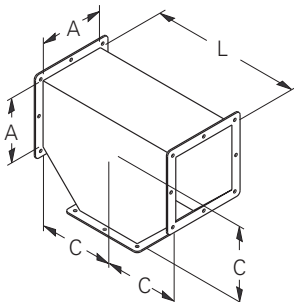


45° Elbow

- Includes (1) gasket & hardware

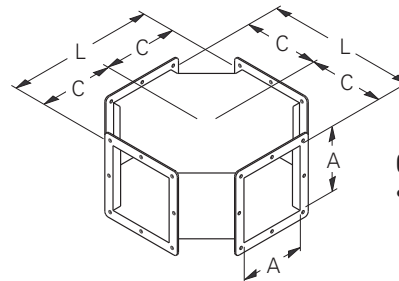
Catalog Number	Size	A in. mm	C in. mm
44-4XSFE9	4 x 4	4.00 102	6.00 152
66-4XSFE9	6 x 6	6.00 152	7.00 178

Catalog Number	Size	A in. mm	C in. mm
44-4XSFE45	4 x 4	4.00 102	2.77 70
66-4XSFE45	6 x 6	6.00 152	3.18 81



Tee

- Includes (2) gaskets & hardware



Cross

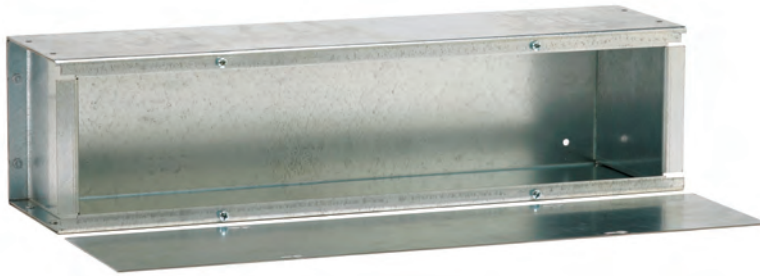
- Includes (3) gaskets & hardware

Catalog Number	Size	A in. mm	C in. mm	L in. mm
44-4XSFT	4 x 4	4.00 102	6.00 152	12.00 305
66-4XSFT	6 x 6	6.00 152	7.00 178	14.00 356

Catalog Number	Size	A in. mm	C in. mm	L in. mm
44-4XSFC	4 x 4	4.00 102	6.00 152	12.00 305
66-4XSFC	6 x 6	6.00 152	7.00 178	14.00 356

Notes: 'C' dimensions are from intersection of center lines. All dimensions are to inside surfaces. Allow .12" (3mm) for flange gasket when joining pieces. Flange holes are .28" dia. (7mm). Flange radii are .37" (9mm). Dimensions are in inches. Millimeters shown are for reference only. Data subject to change without notice.

Wiring Troughs Type 1 Screw Cover Data Sheet



Application

- Used for indoor cable and wire junction, distribution, and termination applications where dirt, dust, oil, and water are not serious problems

Standards

- UL 870 listed, Type 1
- CSA C22.2 No. 26 certified, Type 1
- Conforms to NEMA standard for Type 1

Finish

- Galvanized Steel

Accessories

- See Accessories section

Construction

- Covers and bodies are fabricated from code gauge galvanized steel (see table, page 41)
- Bodies have mounting holes on the back
- Cover is held secure to the body by plated screws
- Keyhole slots on the trough cover allow removal of cover without removing screws
- Shipped complete with permanently connected ends

Discount Schedule: A2

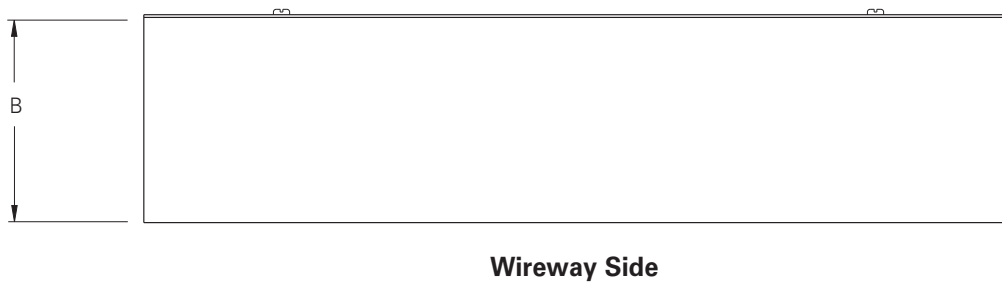
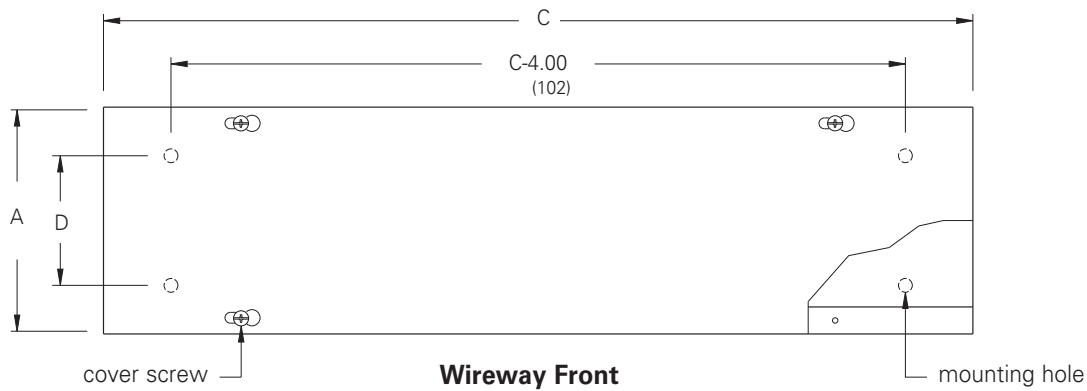
Subclass: AN1

Notes: We can provide special sizes, finishes and other modifications. Consult the factory for your special requirements.

Wiring Troughs Type 1 Screw Cover Illustration Sheet and Catalog Number

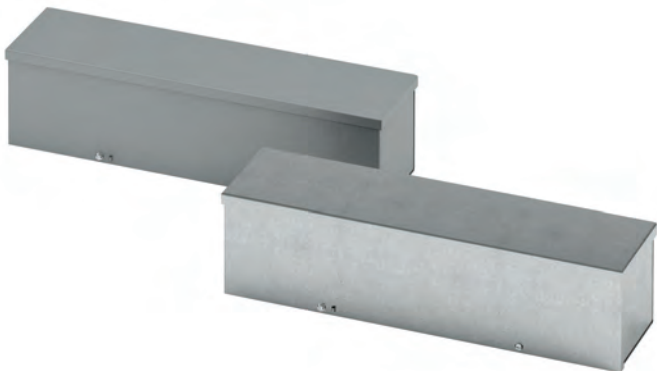
Subclass: AN1

Catalog Number	Height x Depth x Length A x B x C		D		Gauge	
	in.	mm	in.	mm	in.	mm
4412 GTGV NK	4.00 x 4.00 x 12.00	102 x 102 x 305	2.75	69.8	16	1.4
4424 GTGV NK	4.00 x 4.00 x 24.00	102 x 102 x 610	2.75	69.8	16	1.4
4436 GTGV NK	4.00 x 4.00 x 36.00	102 x 102 x 914	2.75	69.8	16	1.4
4448 GTGV NK	4.00 x 4.00 x 48.00	102 x 102 x 1219	2.75	69.8	16	1.4
4460 GTGV NK	4.00 x 4.00 x 60.00	102 x 102 x 1524	2.75	69.8	16	1.4
4472 GTGV NK	4.00 x 4.00 x 72.00	102 x 102 x 1829	2.75	69.8	16	1.4
6612 GTGV NK	6.00 x 6.00 x 12.00	152 x 152 x 305	4.25	107.9	16	1.4
6624 GTGV NK	6.00 x 6.00 x 24.00	152 x 152 x 610	4.25	107.9	16	1.4
6636 GTGV NK	6.00 x 6.00 x 36.00	152 x 152 x 914	4.25	107.9	16	1.4
6648 GTGV NK	6.00 x 6.00 x 48.00	152 x 152 x 1219	4.25	107.9	16	1.4
6660 GTGV NK	6.00 x 6.00 x 60.00	152 x 152 x 1524	4.25	107.9	16	1.4
6672 GTGV NK	6.00 x 6.00 x 72.00	152 x 152 x 1829	4.25	107.9	16	1.4
8824 GTGV NK	8.00 x 8.00 x 24.00	203 x 203 x 610	6.00	152.4	14	1.9
8836 GTGV NK	8.00 x 8.00 x 36.00	203 x 203 x 914	6.00	152.4	14	1.9
8848 GTGV NK	8.00 x 8.00 x 48.00	203 x 203 x 1219	6.00	152.4	14	1.9
8860 GTGV NK	8.00 x 8.00 x 60.00	203 x 203 x 1524	6.00	152.4	14	1.9
8872 GTGV NK	8.00 x 8.00 x 72.00	203 x 203 x 1829	6.00	152.4	14	1.9
101048 GTGV NK	10.00 x 10.00 x 48.00	254 x 254 x 1219	8.00	203.2	14	1.9
121224 GTGV NK	12.00 x 12.00 x 24.00	305 x 305 x 610	10.00	254.0	14	1.9
121236 GTGV NK	12.00 x 12.00 x 36.00	305 x 305 x 914	10.00	254.0	14	1.9
121248 GTGV NK	12.00 x 12.00 x 48.00	305 x 305 x 1219	10.00	254.0	14	1.9



Notes: Dimensions are in inches. Millimeters shown are for reference only. Data subject to change without notice.

Wiring Troughs Type 3R Screw Cover, Painted & Galvanized Data and Illustration Sheet



Finish

- Wash and phosphate undercoat or galvanized steel
- ANSI 61 gray acrylic electrocoat finish

Accessories

- Sealing devices
- Touch-up paint
- See Accessories section

Construction

- Wireway body and cover are fabricated from (16) gauge galvaneal steel for painted or galvanized steel
- Wireway body has embossed mounting holes on the back
- Wireway is available with or without knockouts on the bottom end only, (see drawing)
- Cover is held secure by sliding it under the top end flange and fastening it with plated screws on the bottom end flange
- Sealing screws and lances are located at each end of the wireway cover
- Wireway exceeding 72 inches in length has two covers, a removable center channel and body supports

Application

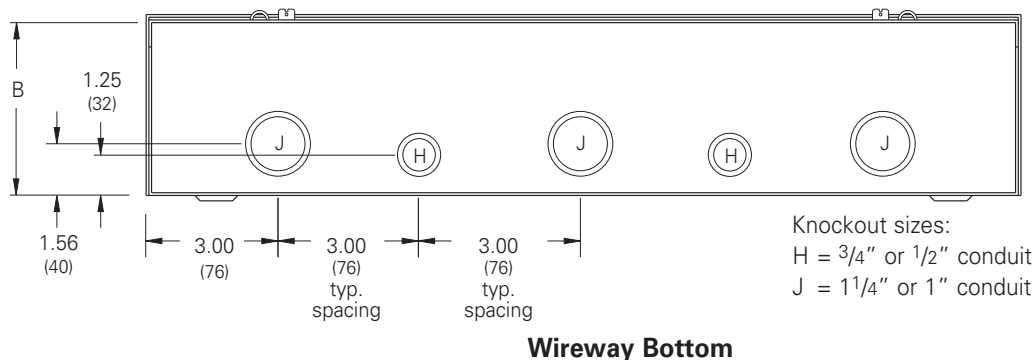
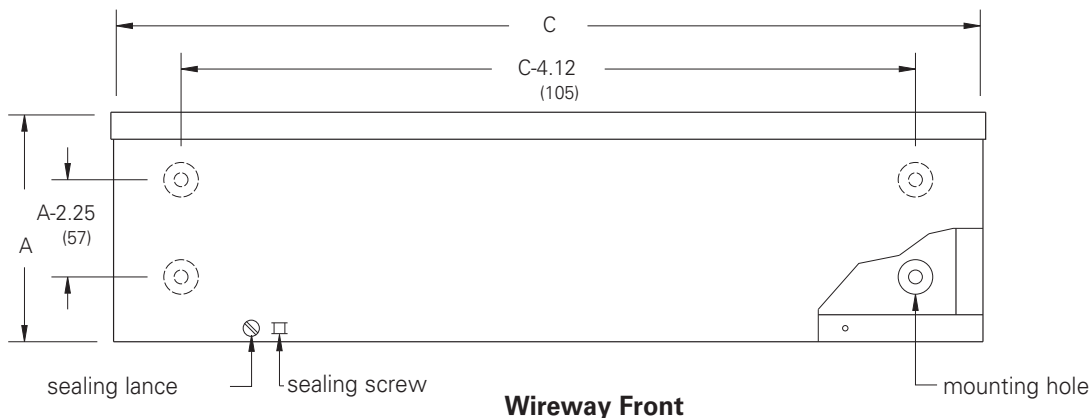
- Houses runs of control and power cable
- Used for cable and wire junction, distribution and termination

Standards

- UL 870 listed, Type 3R
- CSA C22.2 No. 26 certified, Type 3R
- Conforms to NEMA standard for Type 3R

Discount Schedule: A2

Subclass: AM1 - Painted & Z50 - Galvanized



Notes: We can provide special sizes, finishes and other modifications. Consult the factory for your special requirements.

Wiring Troughs Type 3R Screw Cover, Painted & Galvanized Catalog Number

Subclass: AM1 - Painted & Z50 - Galvanized

Wireway Catalog Number				Wireway Size		Knockout Quantity
Painted		Galvanized		Height x Depth x Length		
KO	No KO	KO	No KO	in.	mm	
4412 GRT	4412 GRT NK	--	4412 GRTGV NK	4.00 x 4.00 x 12.00	102 x 102 x 305	3
4418 GRT	4418 GRT NK	--	--	4.00 x 4.00 x 18.00	102 x 102 x 457	5
4424 GRT	4424 GRT NK	--	4424 GRTGV NK	4.00 x 4.00 x 24.00	102 x 102 x 610	7
4436 GRT	4436 GRT NK	--	4436 GRTGV NK	4.00 x 4.00 x 36.00	102 x 102 x 914	11
4448 GRT	4448 GRT NK	--	4448 GRTGV NK	4.00 x 4.00 x 48.00	102 x 102 x 1219	15
4460 GRT	4460 GRT NK	--	4460 GRTGV NK	4.00 x 4.00 x 60.00	102 x 102 x 1524	19
4472 GRT	4472 GRT NK	--	4472 GRTGV NK	4.00 x 4.00 x 72.00	102 x 102 x 1829	23
--	4496 GRT NK	--	--	4.00 x 4.00 x 96.00	102 x 102 x 2438	31
--	44120 GRT NK	--	44120 GRTGV NK	4.00 x 4.00 x 120.00	102 x 102 x 3048	35
6612 GRT	6612 GRT NK	--	6612 GRTGV NK	6.00 x 6.00 x 12.00	152 x 152 x 305	3
6618 GRT	6618 GRT NK	--	6618 GRTGV NK	6.00 x 6.00 x 18.00	1152 x 152 x 457	5
6624 GRT	6624 GRT NK	--	6624 GRTGV NK	6.00 x 6.00 x 24.00	152 x 152 x 610	7
6636 GRT	6636 GRT NK	--	6636 GRTGV NK	6.00 x 6.00 x 36.00	152 x 152 x 914	11
6648 GRT	6648 GRT NK	--	6648 GRTGV NK	6.00 x 6.00 x 48.00	152 x 152 x 1219	15
6660 GRT	6660 GRT NK	--	6660 GRTGV NK	6.00 x 6.00 x 60.00	152 x 152 x 1524	19
6672 GRT	6672 GRT NK	--	6672 GRTGV NK	6.00 x 6.00 x 72.00	152 x 152 x 1829	23
--	6696 GRT NK	--	--	6.00 x 6.00 x 96.00	152 x 152 x 2438	31
--	66120 GRT NK	--	66120 GRTGV NK	6.00 x 6.00 x 120.00	152 x 152 x 3048	35
8812 GRT	8812 GRT NK	--	8812 GRTGV NK	8.00 x 8.00 x 12.00	203 x 203 x 305	3
8818 GRT	8818 GRT NK	--	--	8.00 x 8.00 x 18.00	203 x 203 x 457	5
8824 GRT	8824 GRT NK	--	8824 GRTGV NK	8.00 x 8.00 x 24.00	203 x 203 x 610	7
8836 GRT	8836 GRT NK	--	8836 GRTGV NK	8.00 x 8.00 x 36.00	203 x 203 x 914	11
8848 GRT	8848 GRT NK	--	8848 GRTGV NK	8.00 x 8.00 x 48.00	203 x 203 x 1219	15
8860 GRT	8860 GRT NK	--	8860 GRTGV NK	8.00 x 8.00 x 60.00	203 x 203 x 1524	19
8872 GRT	8872 GRT NK	--	8872 GRTGV NK	8.00 x 8.00 x 72.00	203 x 203 x 1829	23
--	8896 GRT NK	--	8896 GRTGV NK	8.00 x 8.00 x 96.00	203 x 203 x 2438	-
--	88120 GRT NK	--	88120 GRTGV NK	8.00 x 8.00 x 120.00	203 x 203 x 3048	-
--	101024 GRT NK	--	101024 GRTGV NK	10.00 x 10.00 x 24.00	254 x 254 x 610	-
--	101036 GRT NK	--	101036 GRTGV NK	10.00 x 10.00 x 36.00	254 x 254 x 914	-
--	101048 GRT NK	--	101048 GRTGV NK	10.00 x 10.00 x 48.00	254 x 254 x 1219	-
--	101060 GRT NK	--	101060 GRTGV NK	10.00 x 10.00 x 60.00	254 x 254 x 1524	-
--	101072 GRT NK	--	101072 GRTGV NK	10.00 x 10.00 x 72.00	254 x 254 x 1829	-
--	101096 GRT NK	--	101096 GRTGV NK	10.00 x 10.00 x 96.00	254 x 254 x 2438	-
--	1010120 GRT NK	--	1010120 GRTGV NK	10.00 x 10.00 x 120.00	254 x 254 x 3048	-
--	121224 GRT NK	--	121224 GRTGV NK	12.00 x 12.00 x 24.00	305 x 305 x 610	-
--	121236 GRT NK	--	121236 GRTGV NK	12.00 x 12.00 x 36.00	305 x 305 x 914	-
--	121248 GRT NK	--	121248 GRTGV NK	12.00 x 12.00 x 48.00	305 x 305 x 1219	-
--	121260 GRT NK	--	121260 GRTGV NK	12.00 x 12.00 x 60.00	305 x 305 x 1524	-
--	121272 GRT NK	--	121272 GRTGV NK	12.00 x 12.00 x 72.00	305 x 305 x 1829	-
--	121296 GRT NK	--	121296 GRTGV NK	12.00 x 12.00 x 96.00	305 x 305 x 2438	-
--	1212120 GRT NK	--	1212120 GRTGV NK	12.00 x 12.00 x 120.00	355 x 355 x 3048	-
--	141448 GRT NK	--	141448 GRTGV NK	14.00 x 14.00 x 48.00	355 x 355 x 1219	-
--	141472 GRT NK	--	141472 GRTGV NK	14.00 x 14.00 x 72.00	355 x 355 x 1829	-
--	141496 GRT NK	--	141496 GRTGV NK	14.00 x 14.00 x 96.00	355 x 355 x 2438	-
--	1414120 GRT NK	--	1414120 GRTGV NK	14.00 x 14.00 x 120.00	355 x 355 x 3048	-

Notes: Dimensions are in inches. Millimeters shown are for reference only. Data subject to change without notice.

Wiring Troughs Type 12 Lift-Off Cover Data Sheet



Application

- Houses runs of control and power cable
- Protects against circulating dust, falling dirt and dripping noncorrosive liquids

Standards

- UL 870 listed
- CSA C22.2 No. 26 certified
- Conforms to NEMA standard for Type 12

Finish

- Wash and phosphate undercoat
- ANSI 61 gray polyester powder finish
- Hardware and latches are zinc plated

Accessories

- Touch-up paint
- See Accessories section

Construction

- Wireway body and cover are fabricated from (14) gauge steel
- All continuous welded seams are finished smooth
- Cover is secured to the wireway body with semi-hinges on one side and easy-to-operate screw clamps mounted to the opposite side
- Two chains hold cover to the body when screw clamps are released
- Cover has a seamless poured in-place gasket
- External mounting feet are provided for wall mounting

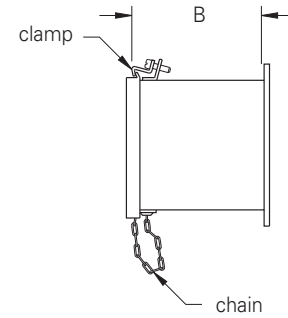
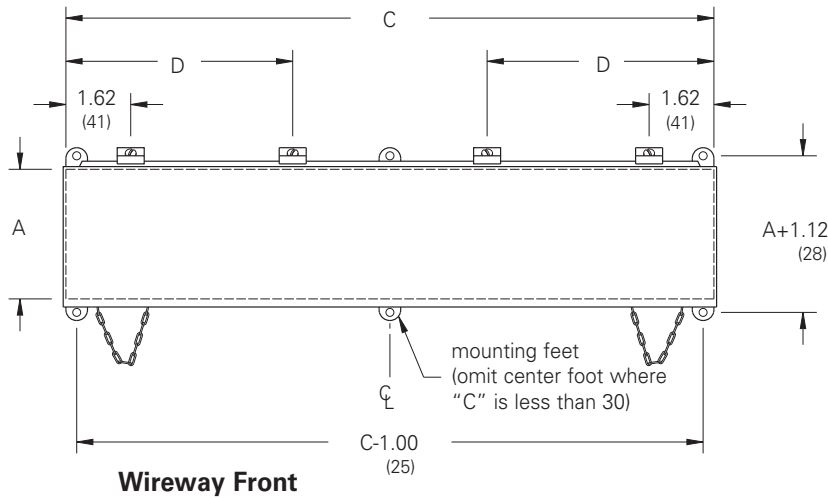
Discount Schedule: C2

Subclass: DB0

Notes: We can provide special sizes, finishes and other modifications. Consult the factory for your special requirements.

Wiring Troughs Type 12 Lift-Off Cover Illustration Sheet and Catalog Number

Subclass: DB0



Trough Catalog Number	Trough Size Width x Depth x Length A x B x C		D	
	in.	mm	in.	mm
4412-12WT	4.00 x 4.00 x 12.00	102 x 102 x 305	-	-
4418-12WT	4.00 x 4.00 x 18.00	102 x 102 x 457	-	-
4424-12WT	4.00 x 4.00 x 24.00	102 x 102 x 610	-	-
4430-12WT	4.00 x 4.00 x 30.00	102 x 102 x 762	15.00	381
4436-12WT	4.00 x 4.00 x 36.00	102 x 102 x 914	18.00	457
4448-12WT	4.00 x 4.00 x 48.00	102 x 102 x 1219	24.00	610
4460-12WT	4.00 x 4.00 x 60.00	102 x 102 x 1524	20.25	514
4472-12WT	4.00 x 4.00 x 72.00	102 x 102 x 1829	24.25	616
6612-12WT	6.00 x 6.00 x 12.00	152 x 152 x 305	-	-
6618-12WT	6.00 x 6.00 x 18.00	152 x 152 x 457	-	-
6624-12WT	6.00 x 6.00 x 24.00	152 x 152 x 610	-	-
6636-12WT	6.00 x 6.00 x 36.00	152 x 152 x 914	18.00	457
6648-12WT	6.00 x 6.00 x 48.00	152 x 152 x 1219	24.00	610
6660-12WT	6.00 x 6.00 x 60.00	152 x 152 x 1524	20.25	514
6672-12WT	6.00 x 6.00 x 72.00	152 x 152 x 1829	24.25	616
8812-12WT	8.00 x 8.00 x 12.00	203 x 203 x 305	-	-
8824-12WT	8.00 x 8.00 x 24.00	203 x 203 x 610	-	-
8836-12WT	8.00 x 8.00 x 36.00	203 x 203 x 914	18.00	457
8848-12WT	8.00 x 8.00 x 48.00	203 x 203 x 1219	24.00	610
8860-12WT	8.00 x 8.00 x 60.00	203 x 203 x 1524	20.25	514
8872-12WT	8.00 x 8.00 x 72.00	203 x 203 x 1829	24.25	616



XX12-12WT
XX18-12WT
XX24-12WT

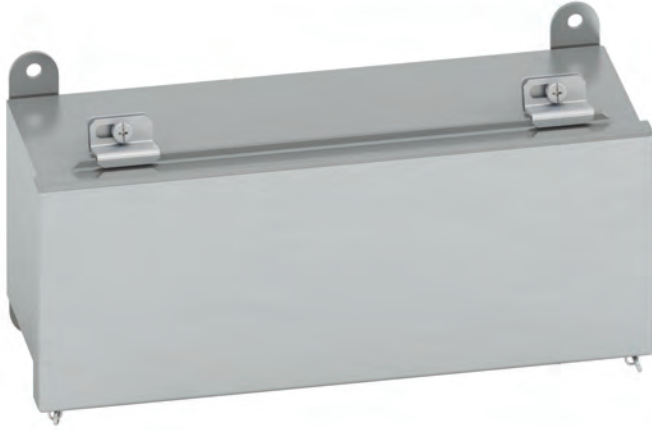
XX30-12WT
XX36-12WT
XX48-12WT

XX60-12WT
XX72-12WT

Cover Clamp Layout

Notes: Dimensions are in inches. Millimeters shown are for reference only. Data subject to change without notice.

Wiring Troughs Type 4X Lift-Off Cover Data Sheet



Application

- Houses runs of control and power cable
- Protects against corrosion, windblown dust and rain, splashing water and hose-directed water

Standards

- UL 870 listed
- CSA C22.2 No. 26 certified
- Conforms to NEMA standard for Type 4X

Finish

- Outer surface of wireway body and cover has a smooth brushed finish

Accessories

- Bracket hanger
- Drop hanger

Construction

- Wireway body and cover are fabricated from (14) gauge Type 304 stainless steel
- All continuous welded seams are finished smooth
- Cover is secured to the wireway body with semi-hinges on one side and easy-to-operate screw clamps mounted to the opposite side
- Two chains hold cover to the body when screw clamps are released
- Cover has a seamless poured in-place gasket
- External mounting feet are provided for wall mounting

Discount Schedule: C2

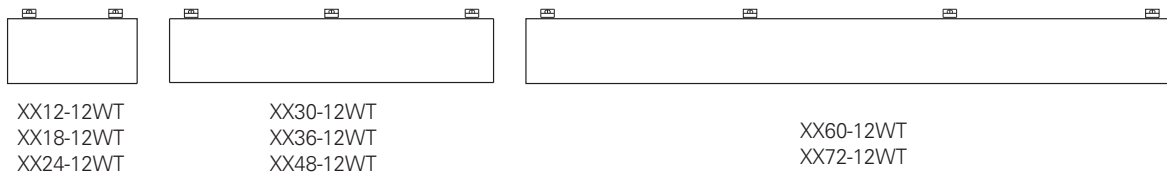
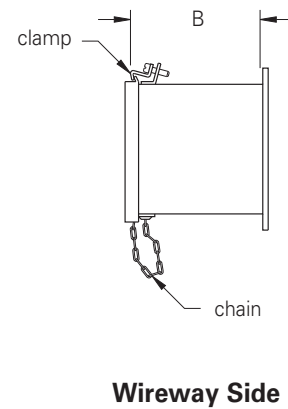
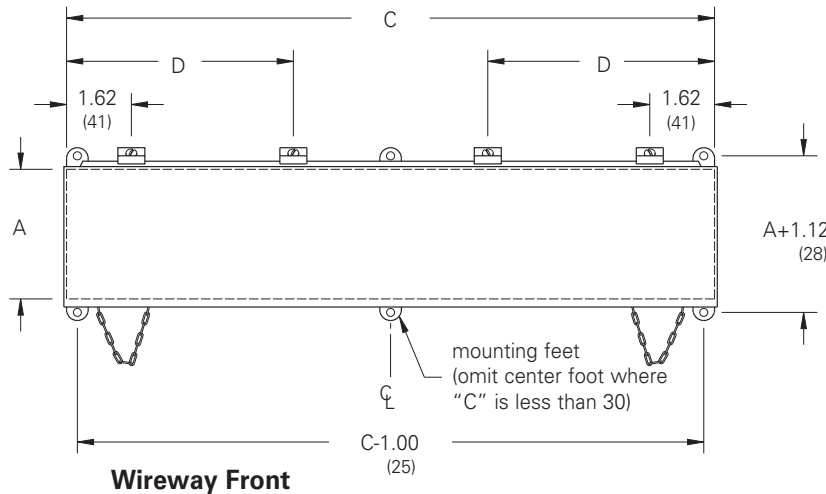
Subclass: U10

Notes: We can provide special sizes, finishes and other modifications. Consult the factory for your special requirements.

Wiring Troughs Type 4X Lift-Off Cover Illustration Sheet and Catalog Number

Subclass: U10

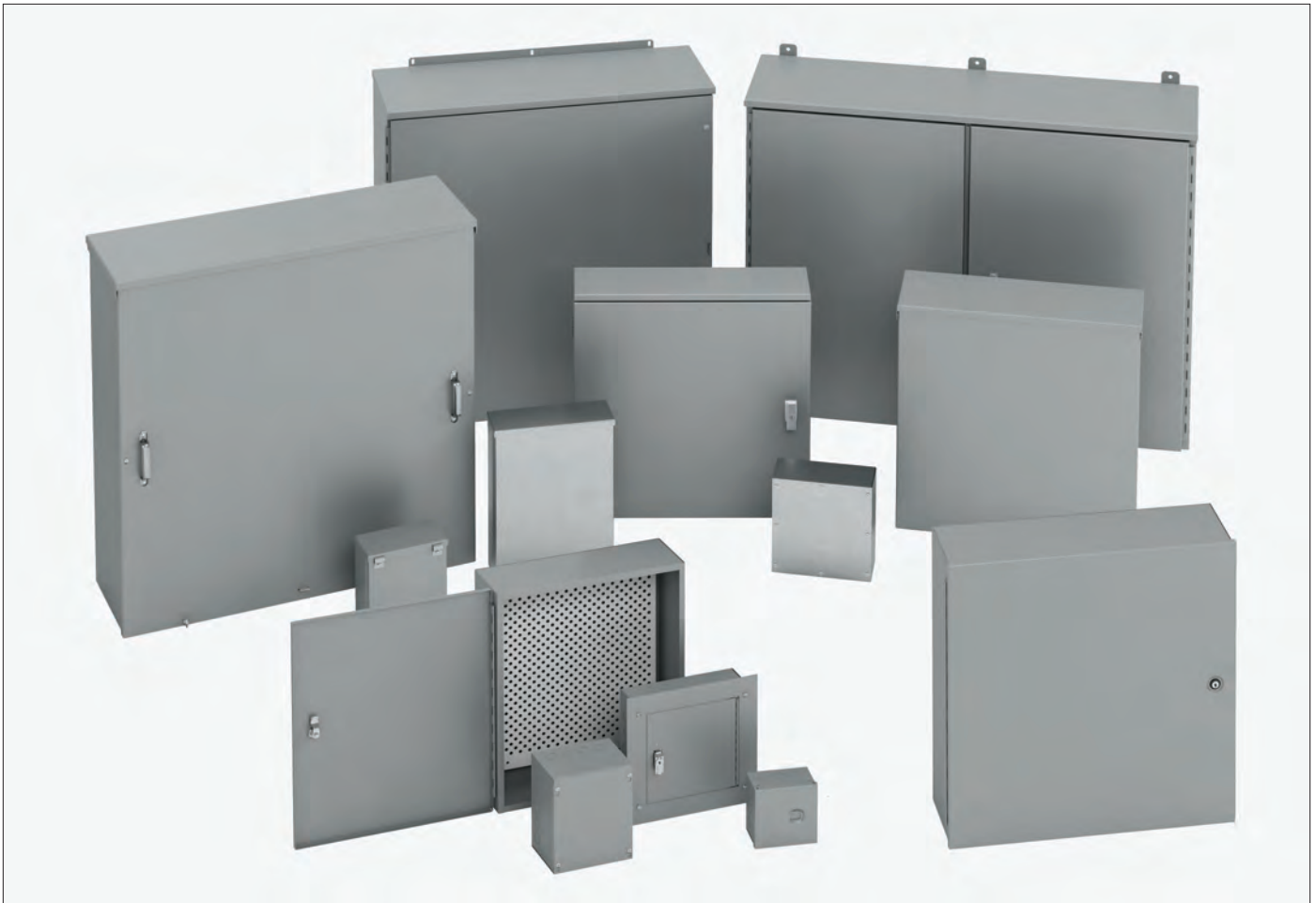
Trough Catalog Number	Trough Size Width x Depth x Length A x B x C		D	
	in.	mm	in.	mm
4412-4XSWT	4.00 x 4.00 x 12.00	102 x 102 x 305	-	-
4418-4XSWT	4.00 x 4.00 x 18.00	102 x 102 x 457	-	-
4424-4XSWT	4.00 x 4.00 x 24.00	102 x 102 x 610	-	-
4430-4XSWT	4.00 x 4.00 x 30.00	102 x 102 x 762	15.00	381
4436-4XSWT	4.00 x 4.00 x 36.00	102 x 102 x 914	18.00	457
4448-4XSWT	4.00 x 4.00 x 48.00	102 x 102 x 1219	24.00	610
4460-4XSWT	4.00 x 4.00 x 60.00	102 x 102 x 1524	20.25	514
4472-4XSWT	4.00 x 4.00 x 72.00	102 x 102 x 1829	24.25	616
6612-4XSWT	6.00 x 6.00 x 12.00	152 x 152 x 305	-	-
6618-4XSWT	6.00 x 6.00 x 18.00	152 x 152 x 457	-	-
6624-4XSWT	6.00 x 6.00 x 24.00	152 x 152 x 610	-	-
6636-4XSWT	6.00 x 6.00 x 36.00	152 x 152 x 914	18.00	457
6648-4XSWT	6.00 x 6.00 x 48.00	152 x 152 x 1219	24.00	610
6660-4XSWT	6.00 x 6.00 x 60.00	152 x 152 x 1524	20.25	514
6672-4XSWT	6.00 x 6.00 x 72.00	152 x 152 x 1829	24.25	616



Cover Clamp Layout

Notes: Dimensions are in inches. Millimeters shown are for reference only. Data subject to change without notice.

Type 1, 3, & 3R Enclosures



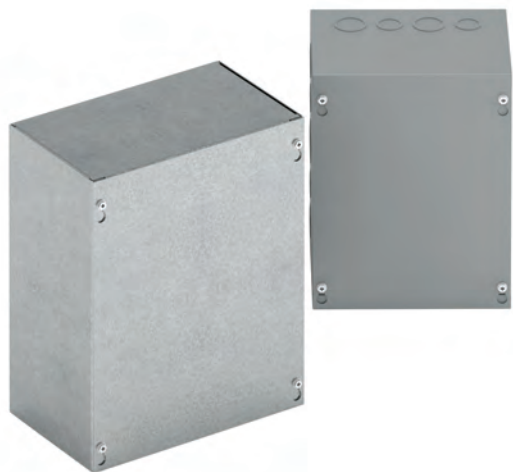
Type 1, 3, & 3R Enclosures

Junction Boxes Type 1 Screw Cover	50-53
Junction Boxes Type 1 Hinge Cover	54-55
Junction Boxes Type 3R Screw Cover	56-57
Junction Boxes Type 3R Hinge Cover	58-59
Junction Boxes Type 3 Screw Cover Gasketed	60-61
Junction Boxes Type 3 Weatherproof Screw Cover	62-63
Panel Enclosures Type 1 Small	64-65
Panel Enclosures Type 1 Medium	66-67
Panel Enclosures Type 1 Large	68-69
Panel Enclosures Type 1 Locking Hinge Cover w/Perforated Panel	70-71
Panel Enclosures Type 3R Small Continuous Hinge Cover	72-73
Panel Enclosures Type 3R Large Continuous Hinge Cover	74-75
Panel Enclosures Type 3R Double-Door	76-77
Utility Cabinets Type 1 Telephone Cabinets	78-80
Utility Cabinets Type 3R Telephone Cabinets	81-82
Utility Cabinets Type 3R Screw Cover Current Transformer Cabinets	83-85
Utility Cabinets Type 3R Hinge Cover Current Transformer Cabinets	86-87

Type 1, 3, & 3R Enclosures

Junction Boxes Type 1 Screw Cover - Painted & Galvanized Data and Illustration Sheet

Type 1, 3, & 3R Enclosures



Application

- Used as wiring boxes, junction and pull boxes
- Protects against contact with enclosed equipment

Standards

- UL 50 listed, Type 1
- CSA C22.2 No. 40 certified, Type 1
- Conforms to NEMA standard for Type 1

Finish

- Wash and phosphate undercoat or galvanized steel
- ANSI 61 gray acrylic electrocoat finish

Accessories

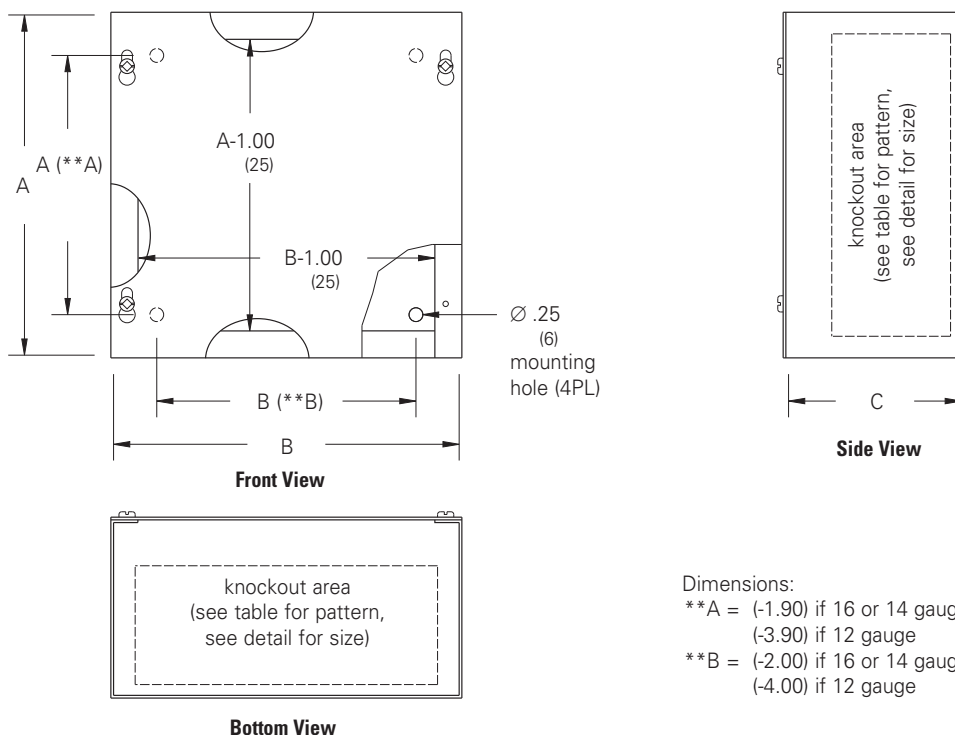
- Ground lug kit
- Touch-up paint
- See Accessories section

Construction

- Enclosure and cover are fabricated from code gauge steel or galvanized steel, (see table)
- Enclosure body has mounting holes on the back
- Enclosures are available with or without knockouts on the sides, top and bottom ends
- Cover is secured to the body with plated pan head combo screws
- Keyhole slots provided in the cover allow easy access to the inside without removing the screws
- Hole provision for optional ground lug kit
- Ground screw provided

Discount Schedule: A2

Subclass: AN0 (painted) & AX1 (galvanized)



Notes: We can provide special sizes, finishes and other modifications. Consult the factory for your special requirements.
Dimensions are in inches. Millimeters shown are for reference only. Data subject to change without notice.

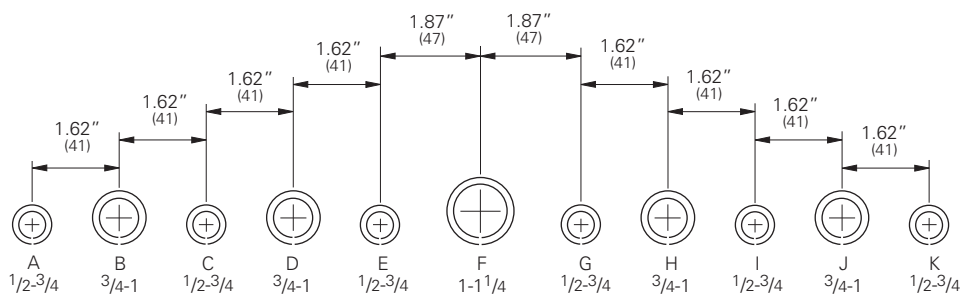
Junction Boxes Type 1 Screw Cover - Painted & Galvanized

Catalog Number

Subclass: ANO - Painted & AX1 - Galvanized

Enclosure Catalog Number				Enclosure Size		Gauge	Knockout Pattern Each Side	Knockout Pattern Top & Bottom
Painted		Galvanized		Height x Width x Depth A x B x C				
KO	No KO	KO	No KO	in.	mm			
443 SC	443 SC NK	443 SCGV	443 SCGV NK	4.00 x 4.00 x 3.00	102 x 102 x 76	16	(C D)	(C D)
444 SC	444 SC NK	444 SCGV	444 SCGV NK	4.00 x 4.00 x 4.00	102 x 102 x 102	16	(C D)	(C D)
644 SC	644 SC NK	644 SCGV	644 SCGV NK	6.00 x 4.00 x 4.00	152 x 102 x 102	16	(C D E)	(C D)
663 SC	663 SC NK	663 SCGV	663 SCGV NK	6.00 x 6.00 x 3.00	152 x 152 x 76	16	(C D E)	(C D E)
664 SC	664 SC NK	664 SCGV	664 SCGV NK	6.00 x 6.00 x 4.00	152 x 152 x 102	16	(C D E)	(C D E)
863 SC	863 SC NK	863 SCGV	863 SCGV NK	8.00 x 6.00 x 4.300	203 x 152 x 76	16	(G H I J)	(C D E)
864 SC	864 SC NK	864 SCGV	864 SCGV NK	8.00 x 6.00 x 4.00	203 x 152 x 102	16	(G H I J)	(C D E)
884 SC	884 SC NK	884 SCGV	884 SCGV NK	8.00 x 8.00 x 4.00	203 x 203 x 102	16	(G H I J)	(G H I J)
--	1064 SC NK	--	1064 SCGV NK	10.00 x 6.00 x 4.00	254 x 152 x 102	16	--	--
1084 SC	1084 SC NK	1084 SCGV	1084 SCGV NK	10.00 x 8.00 x 4.00	254 x 203 x 102	16	(G H I J)	(G H I J)
10104 SC	10104 SC NK	10104 SCGV	10104 SCGV NK	10.00 x 10.00 x 4.00	254 x 254 x 102	16	(G H I J)	(G H I J)
1264 SC	1264 SC NK	--	1264 SCGV NK	12.00 x 6.00 x 4.00	305 x 152 x 102	16	(D E F G H)	(C D E)
1284 SC	1284 SC NK	1284 SCGV	1284 SCGV NK	12.00 x 8.00 x 4.00	305 x 203 x 102	16	(D E F G H)	(G H I J)
12104 SC	12104 SC NK	12104 SCGV	12104 SCGV NK	12.00 x 10.00 x 4.00	305 x 254 x 102	16	(D E F G H)	(D E F G H)
12124 SC	12124 SC NK	12124 SCGV	12124 SCGV NK	12.00 x 12.00 x 4.00	305 x 305 x 102	16	(D E F G H)	(D E F G H)
--	15154 SC NK	15154 SCGV	--	15.00 x 15.00 x 4.00	381 x 381 x 102	16	(C D E F G H I)	(C D E F G H I)
16124 SC	16124 SC NK	16124 SCGV	16124 SCGV NK	16.00 x 12.00 x 4.00	406 x 305 x 102	16	(C D E F G H I)	(D E F G H)
16164 SC	16164 SC NK	16164 SCGV	--	16.00 x 16.00 x 4.00	406 x 406 x 102	16	(C D E F G H I)	(C D E F G H I)
18124 SC	18124 SC NK	18124 SCGV	18124 SCGV NK	18.00 x 12.00 x 4.00	457 x 305 x 102	16	(B C D E F G H I J)	(D E F G H)
--	18154 SC NK	18154 SCGV	--	18.00 x 15.00 x 4.00	457 x 381 x 102	16	(B C D E F G H I J)	(C D E F G H I)
18184 SC	18184 SC NK	18184 SCGV	18184 SCGV NK	18.00 x 18.00 x 4.00	457 x 457 x 102	16	(B C D E F G H I J)	(B C D E F G H I J)
24124 SC	24124 SC NK	24124 SCGV	--	24.00 x 12.00 x 4.00	610 x 305 x 102	16	(B C D E F G H I J)	(D E F G H)
--	24184 SC NK	24184 SCGV	--	24.00 x 18.00 x 4.00	610 x 457 x 102	16	(B C D E F G H I J)	(B C D E F G H I J)
24244 SC	24244 SC NK	24244 SCGV	24244 SCGV NK	24.00 x 24.00 x 4.00	610 x 610 x 102	14	(B C D E F G H I J)	(B C D E F G H I J)
--	30184 SC NK	30184 SCGV	30184 SCGV NK	30.00 x 18.00 x 4.00	762 x 457 x 102	16	(B C D E F G H I J)	(B C D E F G H I J)
30244 SC	30244 SC NK	30244 SCGV	30244 SCGV NK	30.00 x 24.00 x 4.00	762 x 610 x 102	14	(B C D E F G H I J)	(B C D E F G H I J)
-	30304 SC NK	-	30304 SCGV NK	30.00 x 30.00 x 4.00	762 x 762 x 102	12	--	--

Type 1, 3, & 3R Enclosures



Conduit Sizes

Knockout Detail

Note: See table for applicable knockout pattern.

Notes: Dimensions are in inches. Millimeters shown are for reference only. Data subject to change without notice.

Type 1, 3, & 3R Enclosures

Junction Boxes

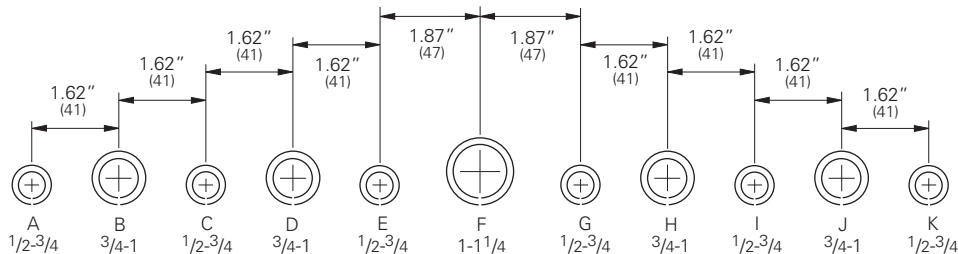
Type 1 Screw Cover - Painted & Galvanized

Catalog Number

Subclass: ANO - Painted & AX1 - Galvanized

Type 1, 3, & 3R Enclosures

Enclosure Catalog Number				Enclosure Size		Gauge	Knockout Pattern	Knockout Pattern
Painted		Galvanized		Height x Width x Depth				
KO	No KO	KO	No KO	in.	mm			
666 SC	666 SC NK	666 SCGV	666 SCGV NK	6.00 x 6.00 x 6.00	152 x 152 x 152	16	(CDE)	(CDE)
866 SC	866 SC NK	866 SCGV	866 SCGV NK	8.00 x 6.00 x 6.00	203 x 152 x 152	16	(GHIJ)	(CDE)
886 SC	886 SC NK	886 SCGV	886 SCGV NK	8.00 x 8.00 x 6.00	203 x 203 x 152	16	(GHIJ)	(GHIJ)
1086 SC	1086 SC NK	1086 SCGV	1086 SCGV NK	10.00 x 8.00 x 6.00	254 x 203 x 152	16	(DEFGH)	(GHIJ)
10106 SC	10106 SC NK	10106 SCGV	10106 SCGV NK	10.00 x 10.00 x 6.00	254 x 254 x 152	16	(DEFGH)	(DEFGH)
--	1266 SC NK	--	--	12.00 x 6.00 x 6.00	305 x 152 x 152	16	--	--
--	1286 SC NK	--	1286 SCGV NK	12.00 x 8.00 x 6.00	305 x 203 x 152	16	--	--
12106 SC	12106 SC NK	12106 SCGV	12106 SCGV NK	12.00 x 10.00 x 6.00	305 x 254 x 152	16	(DEFGH)	(DEFGH)
12126 SC	12126 SC NK	12126 SCGV	12126 SCGV NK	12.00 x 12.00 x 6.00	305 x 305 x 152	16	(DEFGH)	(DEFGH)
--	15156 SC NK	--	15156 SCGV NK	15.00 x 15.00 x 6.00	381 x 381 x 152	16	--	--
16126 SC	16126 SC NK	16126 SCGV	16126 SCGV NK	16.00 x 12.00 x 6.00	406 x 305 x 152	16	(CDEFGHI)	(DEFGH)
16166 SC	16166 SC NK	16166 SCGV	16166 SCGV NK	16.00 x 16.00 x 6.00	406 x 406 x 152	16	(CDEFGHI)	(BCDEFGHIJ)
18126 SC	18126 SC NK	18126 SCGV	18126 SCGV NK	18.00 x 12.00 x 6.00	457 x 305 x 152	16	(BCDEFGHIJ)	(DEFGH)
--	18156 SC NK	--	18156 SCGV NK	18.00 x 15.00 x 6.00	457 x 381 x 152	16	--	--
18186 SC	18186 SC NK	18186 SCGV	18186 SCGV NK	18.00 x 18.00 x 6.00	457 x 457 x 152	16	(BCDEFGHIJ)	(BCDEFGHIJ)
--	24126 SC NK	--	24126 SCGV NK	24.00 x 12.00 x 6.00	610 x 305 x 152	16	--	--
24186 SC	24186 SC NK	24186 SCGV	24186 SCGV NK	24.00 x 18.00 x 6.00	610 x 457 x 152	16	(BCDEFGHIJ)	(BCDEFGHIJ)
--	24206 SC NK	--	24206 SCGV NK	24.00 x 20.00 x 6.00	610 x 508 x 152	14	--	--
24246 SC	24246 SC NK	24246 SCGV	24246 SCGV NK	24.00 x 24.00 x 6.00	610 x 610 x 152	14	(BCDEFGHIJ)	(BCDEFGHIJ)
--	30186 SC NK	--	30186 SCGV NK	30.00 x 18.00 x 6.00	762 x 457 x 152	16	--	--
30246 SC	30246 SC NK	30246 SCGV	30246 SCGV NK	30.00 x 24.00 x 6.00	762 x 610 x 152	14	(BCDEFGHIJ)	(BCDEFGHIJ)
--	30306 SC NK	--	30306 SCGV NK	30.00 x 30.00 x 6.00	762 x 762 x 152	12	--	--
36246 SC	36246 SC NK	--	36246 SCGV NK	36.00 x 24.00 x 6.00	914 x 310 x 152	14	(BCDEFGHIJ)	(BCDEFGHIJ)
--	36306 SC NK	--	36306 SCGV NK	36.00 x 30.00 x 6.00	914 x 762 x 152	12	--	--
--	36366 SC NK	--	36366 SCGV NK	36.00 x 36.00 x 6.00	914 x 914 x 152	12	--	--
--	48366 SC NK	--	48366 SCGV NK	48.00 x 36.00 x 6.00	1219 x 914 x 152	12	--	--
--	48486 SC NK	--	48486 SCGV NK	48.00 x 48.00 x 6.00	1219 x 1219 x 152	12	--	--
888 SC	888 SC NK	888 SCGV	888 SCGV NK	8.00 x 8.00 x 8.00	203 x 203 x 203	16	(GHIJ)	(GHIJ)
--	10108 SC NK	--	10108 SCGV NK	10.00 x 10.00 x 8.00	254 x 254 x 203	16	--	--
12128 SC	12128 SC NK	--	12128 SCGV NK	12.00 x 12.00 x 8.00	305 x 305 x 203	16	(DEFGH)	(DEFGH)
16128 SC	16128 SC NK	--	16128 SCGV NK	16.00 x 12.00 x 8.00	406 x 305 x 203	16	(CDEFGHI)	(DEFGH)
18128 SC	18128 SC NK	--	18128 SCGV NK	18.00 x 12.00 x 8.00	457 x 305 x 203	16	(BCDEFGHIJ)	(DEFGH)
18188 SC	18188 SC NK	--	18188 SCGV NK	18.00 x 18.00 x 8.00	457 x 457 x 203	16	(BCDEFGHIJ)	(BCDEFGHIJ)
24128 SC	24128 SC NK	--	24128 SCGV NK	24.00 x 12.00 x 8.00	610 x 305 x 203	16	(BCDEFGHIJ)	(DEFGH)
24188 SC	24188 SC NK	--	24188 SCGV NK	24.00 x 18.00 x 8.00	610 x 457 x 203	16	(BCDEFGHIJ)	(BCDEFGHIJ)
--	24208 SC NK	--	24208 SCGV NK	24.00 x 20.00 x 8.00	610 x 508 x 203	14	--	--
24248 SC	24248 SC NK	--	24248 SCGV NK	24.00 x 24.00 x 8.00	610 x 610 x 203	14	(BCDEFGHIJ)	(BCDEFGHIJ)
30248 SC	30248 SC NK	30248 SCGV	30248 SCGV NK	30.00 x 24.00 x 8.00	762 x 610 x 203	14	(BCDEFGHIJ)	(BCDEFGHIJ)
--	30308 SC NK	--	30308 SCGV NK	30.00 x 30.00 x 8.00	762 x 762 x 203	12	--	--
36248 SC	36248 SC NK	--	36248 SCGV NK	36.00 x 24.00 x 8.00	914 x 610 x 203	14	(BCDEFGHIJ)	(BCDEFGHIJ)
--	36308 SC NK	--	36308 SCGV NK	36.00 x 30.00 x 8.00	914 x 762 x 203	14	--	--
--	36368 SC NK	--	36368 SCGV NK	36.00 x 36.00 x 8.00	914 x 914 x 203	14	--	--



Conduit Sizes Knockout Detail - Note: See table for applicable knockout pattern.

Notes: Dimensions are in inches. Millimeters shown are for reference only. Data subject to change without notice.

Junction Boxes Type 1 Screw Cover - Painted & Galvanized

Catalog Number

Subclass: ANO - Painted & AX1 - Galvanized

Enclosure Catalog Number				Enclosure Size			Gauge	Knockout Pattern	Knockout Pattern
Painted		Galvanized		Height x Width x Depth A x B x C				Each Side	Top & Bottom
KO	No KO	KO	No KO	in.	mm				
--	121210 SC NK	--	121210 SCGV NK	12.00 x 12.00 x 10.00	305 x 305 x 254		16	--	--
181210 SC	181210 SC NK	--	181210 SCGV NK	18.00 x 12.00 x 10.00	457 x 305 x 254		16	ⓀⓁⓂⓎⓏⓐⓑⓓⓔⓕⓖⓗⓙⓚ	ⓓⓔⓕⓖⓗⓙ
181810 SC	181810 SC NK	--	181810 SCGV NK	18.00 x 18.00 x 10.00	457 x 457 x 254		16	ⓀⓁⓂⓎⓏⓐⓑⓓⓔⓕⓖⓗⓙⓚ	ⓀⓁⓂⓎⓏⓐⓑⓓⓔⓕⓖⓗⓙⓚ
--	241210 SC NK	--	241210 SCGV NK	24.00 x 12.00 x 10.00	610 x 305 x 254		16	--	--
241810 SC	241810 SC NK	--	241810 SCGV NK	24.00 x 18.00 x 10.00	610 x 457 x 254		16	ⓀⓁⓂⓎⓏⓐⓑⓓⓔⓕⓖⓗⓙⓚ	ⓀⓁⓂⓎⓏⓐⓑⓓⓔⓕⓖⓗⓙⓚ
242410 SC	242410 SC NK	--	242410 SCGV NK	24.00 x 24.00 x 10.00	610 x 610 x 254		14	ⓀⓁⓂⓎⓏⓐⓑⓓⓔⓕⓖⓗⓙⓚ	ⓀⓁⓂⓎⓏⓐⓑⓓⓔⓕⓖⓗⓙⓚ
--	302410 SC NK	--	302410 SCGV NK	30.00 x 24.00 x 10.00	762 x 610 x 254		14	--	--
--	303010 SC NK	--	303010 SCGV NK	30.00 x 30.00 x 10.00	762 x 762 x 254		14	--	--
--	362410 SC NK	--	362410 SCGV NK	36.00 x 24.00 x 10.00	914 x 610 x 254		14	--	--
--	363610 SC NK	--	363610 SCGV NK	36.00 x 36.00 x 10.00	914 x 914 x 254		12	--	--
--	121212 SC NK	--	121212 SCGV NK	12.00 x 12.00 x 12.00	305 x 305 x 305		16	--	--
181812 SC	181812 SC NK	--	181812 SCGV NK	18.00 x 18.00 x 12.00	457 x 457 x 305		16	ⓀⓁⓂⓎⓏⓐⓑⓓⓔⓕⓖⓗⓙⓚ	ⓀⓁⓂⓎⓏⓐⓑⓓⓔⓕⓖⓗⓙⓚ
241212 SC	241212 SC NK	--	241212 SCGV NK	24.00 x 12.00 x 12.00	610 x 305 x 305		16	ⓀⓁⓂⓎⓏⓐⓑⓓⓔⓕⓖⓗⓙⓚ	ⓓⓔⓕⓖⓗⓙ
241812 SC	241812 SC NK	--	241812 SCGV NK	24.00 x 18.00 x 12.00	610 x 457 x 305		16	ⓀⓁⓂⓎⓏⓐⓑⓓⓔⓕⓖⓗⓙⓚ	ⓀⓁⓂⓎⓏⓐⓑⓓⓔⓕⓖⓗⓙⓚ
242412 SC	242412 SC NK	--	242412 SCGV NK	24.00 x 24.00 x 12.00	610 x 610 x 305		14	ⓀⓁⓂⓎⓏⓐⓑⓓⓔⓕⓖⓗⓙⓚ	ⓀⓁⓂⓎⓏⓐⓑⓓⓔⓕⓖⓗⓙⓚ
302412 SC	302412 SC NK	--	302412 SCGV NK	30.00 x 24.00 x 12.00	762 x 610 x 305		14	ⓀⓁⓂⓎⓏⓐⓑⓓⓔⓕⓖⓗⓙⓚ	ⓀⓁⓂⓎⓏⓐⓑⓓⓔⓕⓖⓗⓙⓚ
--	303012 SC NK	--	303012 SCGV NK	30.00 x 30.00 x 12.00	762 x 762 x 305		12	--	--
362412 SC	362412 SC NK	--	362412 SCGV NK	36.00 x 24.00 x 12.00	914 x 610 x 305		14	ⓀⓁⓂⓎⓏⓐⓑⓓⓔⓕⓖⓗⓙⓚ	ⓀⓁⓂⓎⓏⓐⓑⓓⓔⓕⓖⓗⓙⓚ
--	363612 SC NK	--	363612 SCGV NK	48.00 x 48.00 x 12.00	1219 x 1219 x 305		12	--	--
--	484812 SC NK	--	484812 SCGV NK	48.00 x 48.00 x 12.00	1219 x 1219 x 305		12	--	--
--	303016 SC NK	--	--	30.00 x 30.00 x 16.00	762 x 762 x 406		12	--	--
--	363616 SC NK	--	363616 SCGV NK	48.00 x 48.00 x 16.00	1219 x 1219 x 406		12	--	--
--	484816 SC NK	--	484816 SCGV NK	48.00 x 48.00 x 16.00	1219 x 1219 x 405		12	--	--

Type 1, 3, & 3R Enclosures

Type 1 Flush & Surface Covers - Painted & Galvanized

Catalog Number

Subclass: ANO - Painted & AX1 - Galvanized

Optional Flush Covers		Flush Cover Size		Fits Enclosure			Replacement Surface Covers		Surface Cover Size		Fits Enclosure			
Catalog Number				A x B			Catalog Number				A x B			
Painted	Galvanized	in.	mm	in.	mm		Gauge	Painted	Galvanized	in.	mm	in.	mm	Gauge
44 SCF	--	5.50 x 5.50	140 x 140	4.00 x 4.00	102 x 102		16	--	--	--	--	--	--	--
66 SCF	--	7.50 x 7.50	191 x 191	6.00 x 6.00	152 x 152		16	66 SCS	--	6.09 x 6.09	155 x 155	6.00 x 6.00	152 x 152	16
86 SCF	--	9.50 x 7.50	241 x 191	8.00 x 6.00	203 x 152		16	--	--	--	--	--	--	--
88 SCF	--	9.50 x 9.50	241 x 241	8.00 x 8.00	203 x 203		16	88 SCS	--	8.09 x 8.09	205 x 205	8.00 x 8.00	203 x 203	16
108 SCF	--	11.50 x 9.50	292 x 241	10.00 x 8.00	254 x 203		16	--	--	--	--	--	--	--
1010 SCF	--	11.50 x 11.50	292 x 292	10.00 x 10.00	254 x 254		16	1010 SCS	--	10.09 x 10.09	256 x 256	10.00 x 10.00	254 x 254	16
128 SCF	--	13.50 x 11.50	343 x 241	12.00 x 8.00	305 x 203		16	--	--	--	--	--	--	--
1212 SCF	--	13.50 x 13.50	343 x 343	12.00 x 12.00	305 x 305		16	1212 SCS	--	12.09 x 12.09	307 x 307	12.00 x 12.00	305 x 305	16
1616 SCF	--	17.50 x 17.50	445 x 445	16.00 x 16.00	406 x 406		14	--	--	--	--	--	--	--
1812 SCF	--	19.50 x 13.50	495 x 343	18.00 x 12.00	457 x 305		14	--	--	--	--	--	--	--
1818 SCF	--	19.50 x 19.50	495 x 495	18.00 x 18.00	457 x 457		14	1818 SCS	--	18.09 x 18.09	459 x 459	18.00 x 18.00	457 x 457	16
2418 SCF	--	25.50 x 19.50	648 x 495	24.00 x 18.00	610 x 457		12	--	--	--	--	--	--	--
2424 SCF	--	25.50 x 24.50	648 x 622	24.00 x 24.00	610 x 610		12	2424 SCS	--	24.09 x 24.09	612 x 612	24.00 x 24.00	610 x 610	14

Notes: Dimensions are in inches. Millimeters shown are for reference only. Data subject to change without notice.

Type 1, 3, & 3R Enclosures

Junction Boxes Type 1 Hinge Cover Data Sheet and Catalog Number



Type 1, 3, & 3R Enclosures

Application

- Used as wiring boxes, junction and pull boxes
- Protects against contact with enclosed equipment

Standards

- UL 50 listed, Type 1
- CSA C22.2 No. 40 certified, Type 1
- Conforms to NEMA standard for Type 1

Finish

- Wash and phosphate undercoat
- ANSI 61 gray acrylic electrocoat finish

Accessories

- Ground lug kit
- Touch-up paint
- See Accessories section

Construction

- Enclosure and cover are fabricated from (16) gauge steel
- Enclosure body has mounting holes on the back
- Enclosures are available with or without knockouts on the sides, top and bottom ends
- Removable cover is secured to the body with T-Slot hinges on one side and a friction dimple catch on the opposite side
- Cover is furnished with a recessed pull ring for opening convenience
- Hole provision for optional ground lug kit
- Ground screw provided

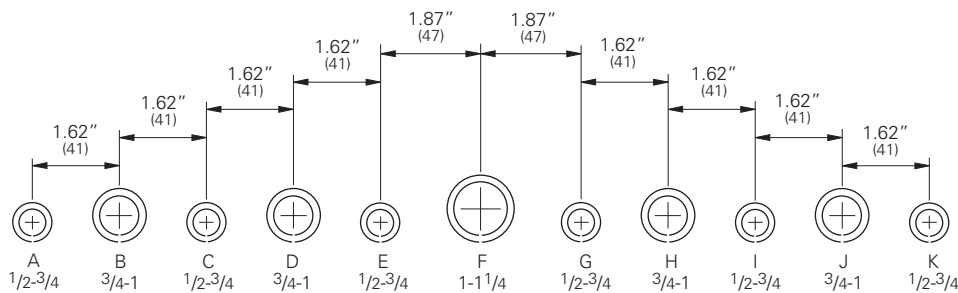
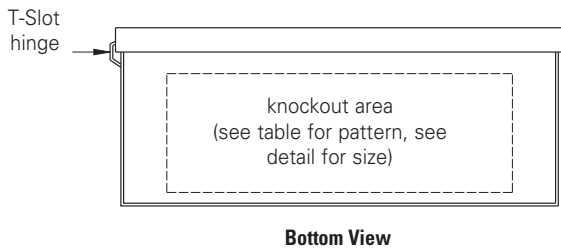
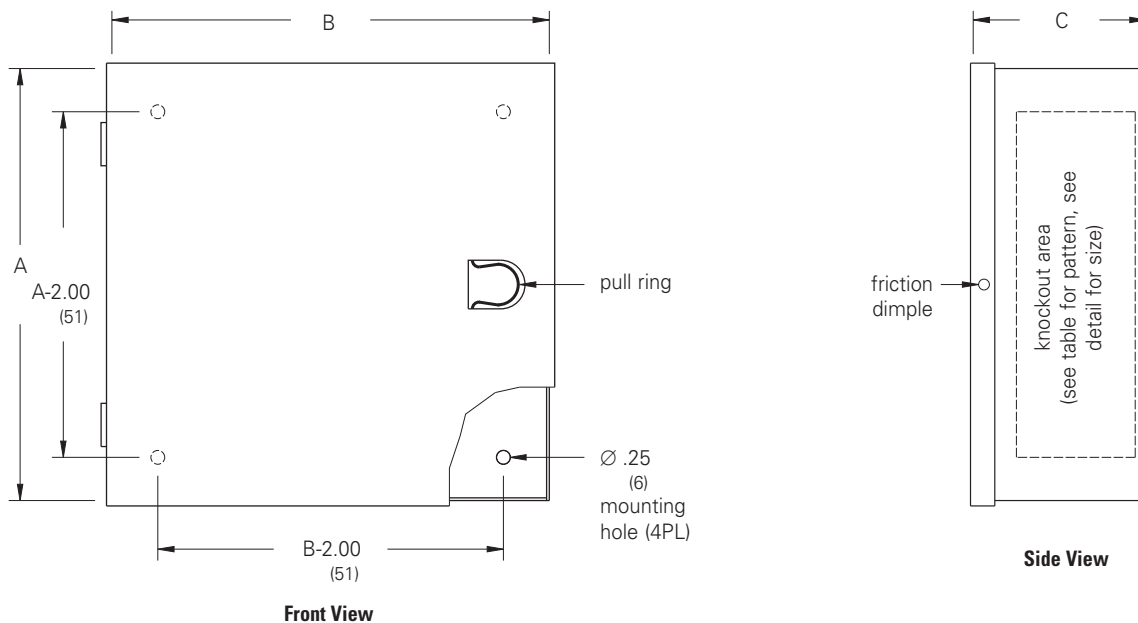
Discount Schedule: A2

Subclass: A00

Enclosure Catalog Number	Enclosure Size Height x Width x Depth A x B x C		Knockout Pattern	Knockout Pattern
	in.	mm	Each Side	Top & Bottom
664 HC	6.00 x 6.00 x 4.00	152 x 152 x 102	CDE	CDE
864 HC	8.00 x 6.00 x 4.00	203 x 152 x 102	GHIJ	CDE
884 HC	8.00 x 8.00 x 4.00	203x x 203 x 102	GHIJ	GHIJ
1084 HC	10.00 x 8.00 x 4.00	254 x 203 x 102	DEFGH	GHIJ
10104 HC	10.00 x 10.00 x 4.00	254 x 254 x 102	DEFGH	DEFGH
1284 HC	12.00 x 8.00 x 4.00	305 x 203 x 102	DEFGH	GHIJ
12104 HC	12.00 x 10.00 x 4.00	305 x 254 x 102	DEFGH	DEFGH
12124 HC	12.00 x 12.00 x 4.00	305 x 305 x 102	DEFGH	DEFGH
18124 HC	18.00 x 12.00 x 4.00	457 x 305 x 102	BCDEFGHIJ	DEFGH
666 HC	6.00 x 6.00 x 6.00	152 x 152 x 152	CDE	CDE
886 HC	8.00 x 8.00 x 6.00	203 x 203 x 152	GHIJ	GHIJ
1086 HC	10.00 x 8.00 x 6.00	254 x 203 x 152	DEFGH	GHIJ
10106 HC	10.00 x 10.00 x 6.00	254 x 254 x 152	DEFGH	DEFGH
12106 HC	12.00 x 10.00 x 6.00	305 x 254 x 152	DEFGH	DEFGH
12126 HC	12.00 x 12.00 x 6.00	305 x 305 x 152	DEFGH	DEFGH
16126 HC	16.00 x 12.00 x 6.00	406 x 305 x 152	CDEFGHI	DEFGH
16166 HC	16.00 x 16.00 x 6.00	406 x 406 x 152	CDEFGHI	CDEFGHI
18126 HC	18.00 x 12.00 x 6.00	457 x 305 x 152	BCDEFGHIJ	DEFGH
18186 HC	18.00 x 18.00 x 6.00	457 x 457 x 152	BCDEFGHIJ	BCDEFGHIJ
24186 HC	24.00 x 18.00 x 6.00	610 x 457 x 152	BCDEFGHIJ	BCDEFGHIJ
24246 HC	24.00 x 24.00 x 6.00	610 x 610 x 152	BCDEFGHIJ	BCDEFGHIJ
30246 HC	30.00 x 24.00 x 6.00	762 x 610 x 152	BCDEFGHIJ	BCDEFGHIJ
36246 HC	36.00 x 24.00 x 6.00	914 x 610 x 152	BCDEFGHIJ	BCDEFGHIJ
36248 HC	36.00 x 24.00 x 8.00	914 x 610 x 203	BCDEFGHIJ	BCDEFGHIJ

Notes: We can provide special sizes, finishes and other modifications. Consult the factory for your special requirements.
Dimensions are in inches. Millimeters shown are for reference only. Data subject to change without notice.

Junction Boxes Type 1 Hinge Cover Illustration Sheet



Knockout Detail

Note: See table for applicable knockout pattern.

Notes: Dimensions are in inches. Millimeters shown are for reference only. Data subject to change without notice.

Type 1, 3, & 3R Enclosures

Junction Boxes Type 3R Screw Cover - Painted & Galvanized Data and Illustration Sheet

Type 1, 3, & 3R Enclosures



Application

- Used as wiring boxes, junction and pull boxes
- Protects against falling rain, sleet and external ice formation

Standards

- UL 50 listed, Type 3R
- CSA C22.2 No. 40 certified, Type 3R
- Conforms to NEMA standard for Type 3R

Finish

- Wash and phosphate undercoat
- ANSI 61 gray acrylic electrocoat finish

Accessories

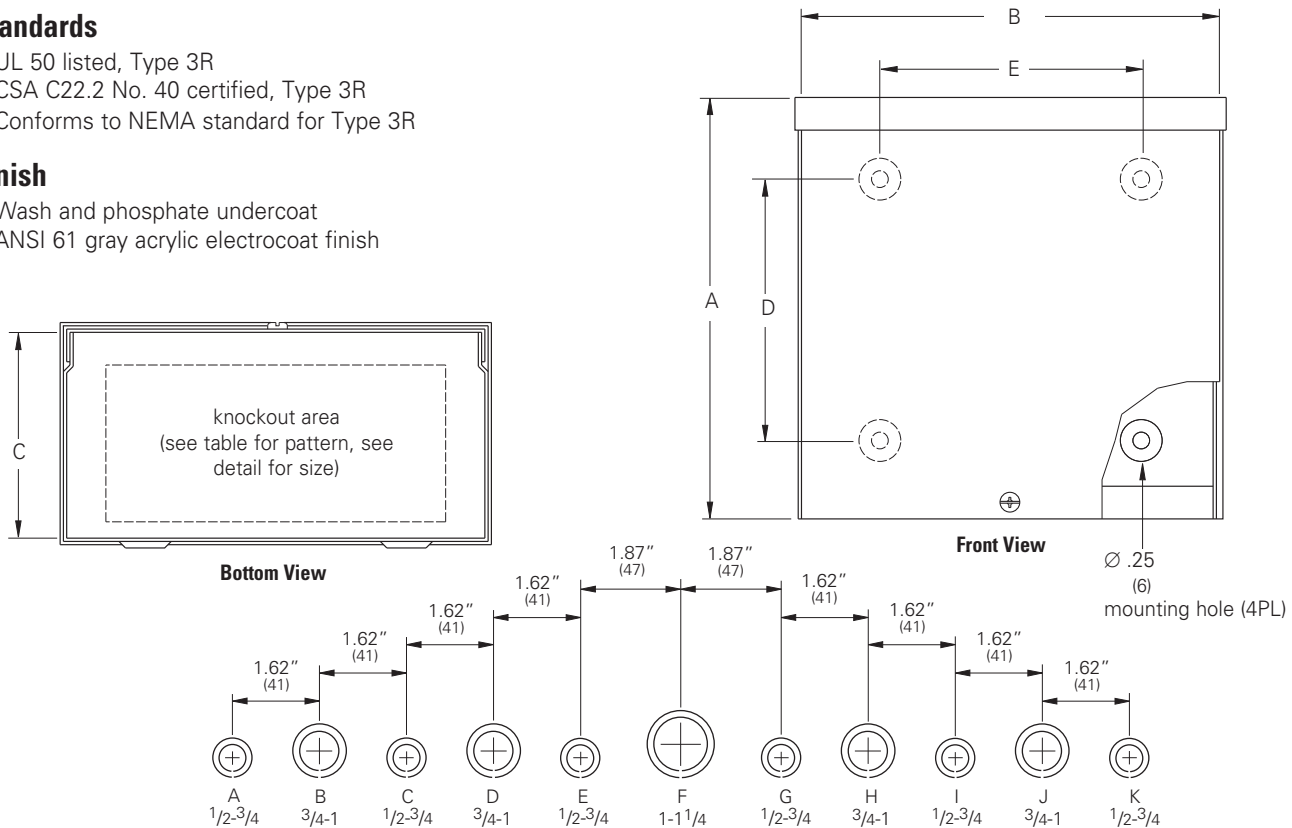
- Touch-up paint
- See Accessories section

Construction

- Enclosure and cover are fabricated from code gauge galvaneal steel for painted or galvanized steel, (see table, page 57)
- Enclosure body has embossed mounting holes on the back
- Available with or without knockouts on the bottom end of enclosures less than 30 inches wide
- Cover is held secure by sliding it under the top end flange and fastening it with plated screws on the bottom end flange, (larger sizes use two studs and wing nuts)

Discount Schedule: A2

Subclass: AS0 & Z60



Conduit Sizes

Knockout Detail

Note: See table for applicable knockout pattern.

Notes: We can provide special sizes, finishes and other modifications. Consult the factory for your special requirements.
Dimensions are in inches. Millimeters shown are for reference only. Data subject to change without notice.

Junction Boxes - Type 3R Screw Cover - Painted & Galvanized Catalog Number Subclass: AS0 (painted) & Z60 (galvanized)

Type 1, 3, & 3R Enclosures

Enclosure Catalog Number				Enclosure Size Height x Width x Dept		D		E		Gauge	Knockout Pattern Bottom
Painted		Galvanized		A x B x C							
KO	No KO	KO	No KO	in.	mm	in.	mm	in.	mm		
444 RTSC	444 RTSC NK	444 RTSCGV	--	4.00 x 4.00 x 4.00	102 x 102 x 102	1.50	38	1.81	46	16	(C D)
644 RTSC	644 RTSC NK	--	--	6.00 x 4.00 x 4.00	152 x 102 x 102	3.50	89	1.81	46	16	(C D)
664 RTSC	664 RTSC NK	664 RTSCGV	664 RTSCGV NK	6.00 x 6.00 x 4.00	152 x 152 x 102	3.50	89	3.81	97	16	(C D E)
864 RTSC	864 RTSC NK	--	--	8.00 x 6.00 x 4.00	203 x 152 x 102	5.50	140	3.81	97	16	(C D E)
884 RTSC	884 RTSC NK	884 RTSCGV	884 RTSCGV NK	8.00 x 8.00 x 4.00	203 x 203 x 102	5.50	140	5.81	148	16	(G H I J)
1084 RTSC	1084 RTSC NK	--	--	10.00 x 8.00 x 4.00	254 x 203 x 102	7.50	191	5.81	148	16	(G H I J)
10104 RTSC	10104 RTSC NK	10104 RTSCGV	10104 RTSCGV NK	10.00 x 10.00 x 4.00	254 x 254 x 102	7.50	191	7.81	198	16	(D E F G H)
1284 RTSC	1284 RTSC NK	--	--	12.00 x 8.00 x 4.00	305 x 203 x 102	9.50	241	5.81	148	16	(G H I J)
12104 RTSC	12104 RTSC NK	--	--	12.00 x 10.00 x 4.00	305 x 254 x 102	9.50	241	7.81	198	16	(D E F G H)
12124 RTSC	12124 RTSC NK	12124 RTSCGV	12124 RTSCGV NK	12.00 x 12.00 x 4.00	305 x 305 x 102	9.50	241	9.81	249	16	(D E F G H)
15124 RTSC	--	--	--	15.00 x 12.00 x 4.00	381 x 305 x 102	12.50	318	9.81	249	16	(D E F G H)
16124 RTSC	16124 RTSC NK	--	--	16.00 x 12.00 x 4.00	406 x 305 x 102	13.50	343	9.81	249	16	(D E F G H)
16164 RTSC	16164 RTSC NK	--	--	16.00 x 16.00 x 4.00	406 x 406 x 102	13.50	343	13.81	351	16	(C D E F G H I)
18124 RTSC	--	--	--	18.00 x 12.00 x 4.00	457 x 305 x 102	15.50	394	9.81	249	16	(D E F G H)
18184 RTSC	18184 RTSC NK	--	--	18.00 x 18.00 x 4.00	457 x 457 x 102	15.50	394	15.81	402	16	(B C D E F G H I J)
24244 RTSC	24244 RTSC NK	--	--	24.00 x 24.00 x 4.00	610 x 610 x 102	21.50	546	21.56	548	14	(B C D E F G H I J)
666 RTSC	666 RTSC NK	666 RTSCGV	666 RTSCGV NK	6.00 x 6.00 x 6.00	152 x 152 x 152	3.50	89	3.81	97	16	(C D E)
866 RTSC	866 RTSC NK	--	--	8.00 x 6.00 x 6.00	203 x 152 x 152	5.50	140	3.81	97	16	(C D E)
886 RTSC	886 RTSC NK	886 RTSCGV	886 RTSCGV NK	8.00 x 8.00 x 6.00	203 x 203 x 152	5.50	140	5.81	148	16	(G H I J)
1086 RTSC	1086 RTSC NK	--	--	10.00 x 8.00 x 6.00	254 x 203 x 152	7.50	191	5.81	148	16	(G H I J)
10106 RTSC	10106 RTSC NK	10106 RTSCGV	10106 RTSCGV NK	10.00 x 10.00 x 6.00	254 x 254 x 152	7.50	191	7.81	198	16	(D E F G H)
1286 RTSC	--	--	--	12.00 x 8.00 x 6.00	305 x 203 x 152	9.50	241	5.81	148	16	(G H I J)
12106 RTSC	12106 RTSC NK	--	--	12.00 x 10.00 x 6.00	305 x 254 x 152	9.50	241	7.81	198	16	(D E F G H)
12126 RTSC	12126 RTSC NK	12126 RTSCGV	12126 RTSCGV NK	12.00 x 12.00 x 6.00	305 x 305 x 152	9.50	241	9.81	249	16	(D E F G H)
16126 RTSC	16126 RTSC NK	--	--	16.00 x 12.00 x 6.00	406 x 305 x 152	13.50	343	9.81	249	16	(D E F G H)
16166 RTSC	16166 RTSC NK	--	--	16.00 x 16.00 x 6.00	406 x 406 x 152	13.50	343	13.81	351	16	(C D E F G H I)
18126 RTSC	18126 RTSC NK	--	18126 RTSCGV NK	18.00 x 12.00 x 6.00	457 x 305 x 152	15.50	394	9.81	249	16	(D E F G H)
18186 RTSC	18186 RTSC NK	18186 RTSCGV	18186 RTSCGV NK	18.00 x 18.00 x 6.00	457 x 457 x 152	15.50	394	15.81	402	16	(B C D E F G H I J)
24126 RTSC	24126 RTSC NK	--	--	24.00 x 12.00 x 6.00	610 x 305 x 152	21.50	546	9.81	249	16	(D E F G H)
24186 RTSC	24186 RTSC NK	--	--	24.00 x 18.00 x 6.00	610 x 457 x 152	21.50	546	15.81	402	16	(B C D E F G H I J)
24246 RTSC	24246 RTSC NK	--	24246 RTSCGV NK	24.00 x 24.00 x 6.00	610 x 610 x 152	21.50	546	21.56	548	14	(B C D E F G H I J)
--	36366 RTSC NK	--	--	36.00 x 36.00 x 6.00	914 x 914 x 152	33.50	851	33.56	852	12	--
10108 RTSC	10108 RTSC NK	--	10108 RTSCGV NK	10.00 x 10.00 x 8.00	254 x 254 x 203	7.50	191	7.81	198	16	(D E F G H)
12128 RTSC	12128 RTSC NK	--	12128 RTSCGV NK	12.00 x 12.00 x 8.00	305 x 305 x 203	9.50	241	9.81	249	16	(D E F G H)
18128 RTSC	18128 RTSC NK	--	--	18.00 x 12.00 x 8.00	457 x 305 x 203	15.50	394	9.81	249	16	(D E F G H)
18188 RTSC	18188 RTSC NK	--	18188 RTSCGV NK	18.00 x 18.00 x 8.00	457 x 457 x 203	15.50	394	15.81	402	16	(B C D E F G H I J)
24168 RTSC	24168 RTSC NK	--	--	24.00 x 16.00 x 8.00	610 x 406 x 203	21.50	546	13.81	351	16	(C D E F G H I)
24188 RTSC	24188 RTSC NK	--	--	24.00 x 18.00 x 8.00	610 x 457 x 203	21.50	546	15.81	402	16	(B C D E F G H I J)
24248 RTSC	24248 RTSC NK	--	24248 RTSCGV NK	24.00 x 24.00 x 8.00	610 x 610 x 203	21.50	546	21.56	548	14	(B C D E F G H I J)
--	36368 RTSC NK	--	--	36.00 x 36.00 x 8.00	914 x 914 x 203	35.50	851	33.56	852	12	--
121210 RTSC	121210 RTSC NK	--	--	12.00 x 12.00 x 10.00	305 x 305 x 254	9.50	241	9.81	249	16	(D E F G H)
181210 RTSC	--	--	--	18.00 x 12.00 x 10.00	457 x 305 x 254	15.50	394	9.81	249	16	(D E F G H)
181810 RTSC	181810 RTSC NK	--	--	18.00 x 18.00 x 10.00	457 x 457 x 254	15.50	394	15.81	402	16	(B C D E F G H I J)
241810 RTSC	241810 RTSC NK	--	--	24.00 x 18.00 x 10.00	610 x 457 x 254	21.50	546	15.81	402	16	(B C D E F G H I J)
242410 RTSC	242410 RTSC NK	--	242410 RTSCGV NK	24.00 x 24.00 x 10.00	610 x 610 x 254	21.50	546	21.56	548	14	(B C D E F G H I J)
302410 RTSC	302410 RTSC NK	--	--	30.00 x 24.00 x 10.00	762 x 610 x 254	27.50	699	21.56	548	14	(B C D E F G H I J)
--	303010 RTSC NK	--	--	30.00 x 30.00 x 10.00	762 x 762 x 254	27.50	699	27.56	700	12	--
242412 RTSC	242412 RTSC NK	--	242412 RTSCGV NK	24.00 x 24.00 x 12.00	610 x 610 x 305	21.50	546	21.56	548	14	(B C D E F G H I J)
302412 RTSC	302412 RTSC NK	--	--	30.00 x 24.00 x 12.00	762 x 610 x 305	27.50	699	21.56	548	14	(B C D E F G H I J)
--	303012 RTSC NK	--	--	30.00 x 30.00 x 12.00	762 x 762 x 305	27.50	699	27.56	700	14	--
362412 RTSC	362412 RTSC NK	--	--	36.00 x 24.00 x 12.00	914 x 610 x 305	33.50	851	21.56	548	14	(B C D E F G H I J)
--	363012 RTSC NK	--	--	36.00 x 30.00 x 12.00	914 x 762 x 305	33.50	851	27.56	700	12	--
--	363612 RTSC NK	--	363612 RTSCGV NK	36.00 x 36.00 x 12.00	914 x 914 x 305	33.50	851	33.56	852	12	--

Notes: Dimensions are in inches. Millimeters shown are for reference only. Data subject to change without notice.

Type 1, 3, & 3R Enclosures

Junction Boxes Type 3R Hinge Cover Data Sheet and Catalog Number

Type 1, 3, & 3R Enclosures



Application

- Used as wiring boxes, junction and pull boxes
- Protects against falling rain, sleet and external ice formation

Standards

- UL 50 listed, Type 3R
- CSA C22.2 No. 40 certified, Type 3R
- Conforms to NEMA standard for Type 3R

Finish

- Wash and phosphate undercoat
- ANSI 61 gray acrylic electrocoat finish

Accessories

- Touch-up paint
- See Accessories section

Construction

- Enclosure and door are fabricated from code gauge galvaneal steel, (see table)
- Enclosure body has embossed mounting holes on the back
- Available with or without knockouts on the bottom end of enclosures less than 30 inches wide
- Cover is secured to the top end with galvanized, detachable formed hinges on sizes up to and including 24188
- Cover can be held in the open position by sliding it into notches on body
- Cover has padlock hasp and sealing hole provisions at the bottom

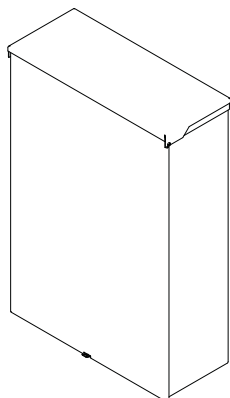
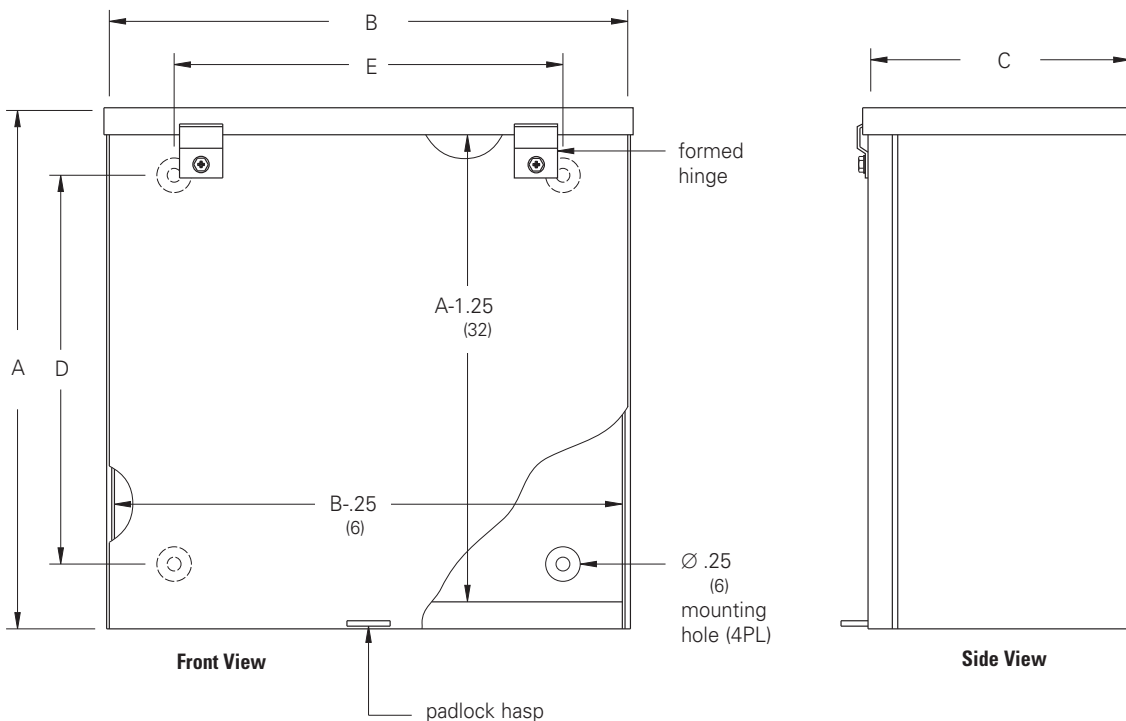
Discount Schedule: A2

Subclass: AT0

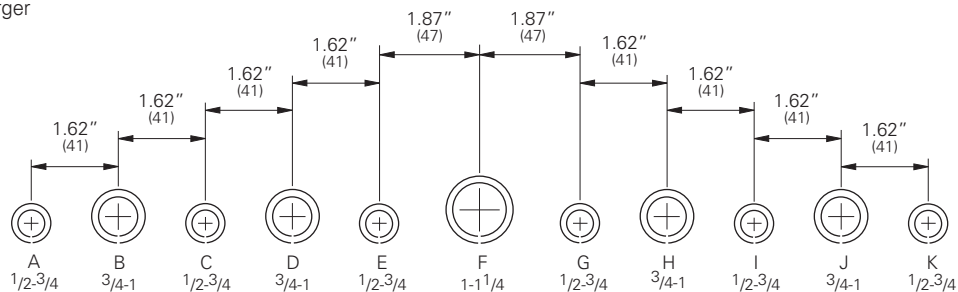
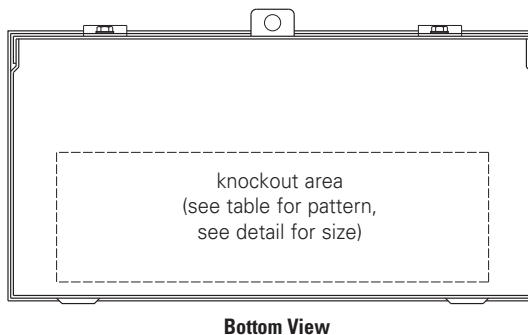
Enclosure Catalog Number		Enclosure Size				Gauge	Bottom		
KO	No KO	Height x Width x Depth		D	E			Bottom	
		A x B x C							
		in.	mm	in.	mm				
644 RTHC	644 RTHC NK	6.00 x 4.00 x 4.00	152 x 102 x 102	3.00	76	2.00	51	16	(C D)
664 RTHC	664 RTHC NK	6.00 x 6.00 x 4.00	152 x 152 x 102	3.00	76	4.00	102	16	(C D E)
864 RTHC	864 RTHC NK	8.00 x 6.00 x 4.00	203 x 152 x 102	5.00	127	4.00	102	16	(C D E)
884 RTHC	884 RTHC NK	8.00 x 8.00 x 4.00	203 x 203 x 102	5.00	127	5.00	127	16	(G H I J)
10104 RTHC	10104 RTHC NK	10.00 x 10.00 x 4.00	254 x 254 x 102	7.00	178	6.50	165	16	(D E F G H)
12124 RTHC	12124 RTHC NK	12.00 x 12.00 x 4.00	305 x 305 x 102	9.00	229	8.50	216	16	(D E F G H)
1286 RTHC	1286 RTHC NK	12.00 x 8.00 x 6.00	305 x 203 x 152	9.00	229	5.00	127	16	(G H I J)
12106 RTHC	12106 RTHC NK	12.00 x 10.00 x 6.00	305 x 254 x 152	9.00	229	6.50	165	16	(D E F G H)
12126 RTHC	12126 RTHC NK	12.00 x 12.00 x 6.00	305 x 305 x 152	9.00	229	8.50	216	16	(D E F G H)
18126 RTHC	18126 RTHC NK	18.00 x 12.00 x 6.00	457 x 305 x 152	15.00	381	8.50	216	16	(D E F G H)
12128 RTHC	12128 RTHC NK	12.00 x 12.00 x 8.00	305 x 305 x 203	9.00	229	8.50	216	16	(D E F G H)
18188 RTHC	18188 RTHC NK	18.00 x 18.00 x 8.00	457 x 457 x 203	15.00	381	14.50	368	16	(B C D E F G H I J)
24188 RTHC	24188 RTHC NK	24.00 x 18.00 x 8.00	610 x 457 x 203	21.00	533	14.50	368	16	(B C D E F G H I J)
24248 RTHC	24248 RTHC NK	24.00 x 24.00 x 8.00	610 x 610 x 203	21.00	533	19.50	495	14	(B C D E F G H I J)
242410 RTHC	242410 RTHC NK	24.00 x 24.00 x 10.00	610 x 610 x 254	21.00	533	20.00	508	14	(B C D E F G H I J)
362410 RTHC	362410 RTHC NK	36.00 x 24.00 x 10.00	914 x 610 x 254	33.00	838	20.00	508	14	(B C D E F G H I J)
-	363012 RTHC NK	36.00 x 30.00 x 12.00	914 x 762 x 305	33.00	838	26.00	508	12	--

Notes: We can provide special sizes, finishes and other modifications. Consult the factory for your special requirements. Dimensions are in inches. Millimeters shown are for reference only. Data subject to change without notice.

Junction Boxes Type 3R Hinge Cover Illustration Sheet



Cover style on 24248 and larger



Conduit Sizes

Knockout Detail

Note: See table for applicable knockout pattern.

Notes: Dimensions are in inches. Millimeters shown are for reference only. Data subject to change without notice.

Type 1, 3, & 3R Enclosures

Junction Boxes Type 3 Screw Cover - Gasketed Data Sheet

Type 1, 3, & 3R Enclosures



Application

- Used as wiring boxes, junction and pull boxes
- Intended for indoor or outdoor use
- Protects against windblown dust, rain, sleet, external ice formation and dripping non-corrosive liquids

Standards

- UL 508A listed, Type 3 and Type 12
- Conforms to NEMA standard for Type 3 and Type 12

Finish

- Bright galvanized finish
- Zinc-rich coating over all external welds

Accessories

- Ground lug kit
- See Accessories section

Construction

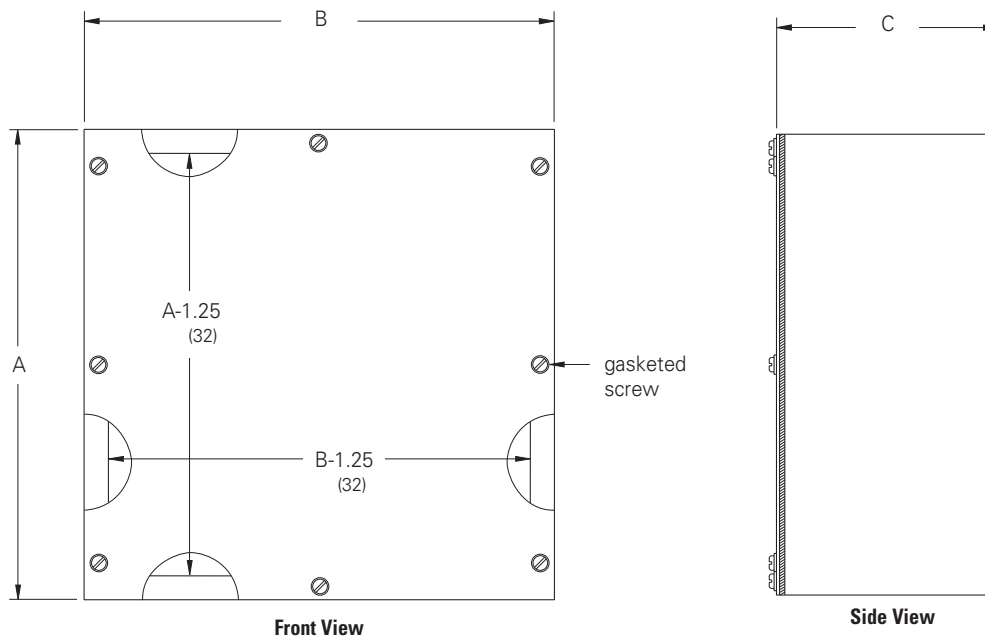
- Enclosure and cover are fabricated from galvanized steel, (see table, page 61)
- All continuous welded seams are finished smooth
- Enclosure standard without knockouts
- Cover is attached with gasketed screws
- Cover has a fixed, oil and water resistant gasket
- #10-32 weldnut is furnished for optional ground lug kit
- Ground screw provided

Discount Schedule: A2

Subclass: AR0

Notes: We can provide special sizes, finishes and other modifications. Consult the factory for your special requirements.

Junction Boxes Type 3 Screw Cover - Gasketed Illustration Sheet and Catalog Number



Enclosure Catalog Number	Enclosure Size Height x Width x Depth A x B x C		Body Gauge	Cover Gauge
	in.	mm		
444 SCG	4.00 x 4.00 x 4.00	102 x 102 x 102	14	14
664 SCG	6.00 x 6.00 x 4.00	152 x 152 x 102	14	14
864 SCG	8.00 x 6.00 x 4.00	203 x 152 x 102	14	12
884 SCG	8.00 x 8.00 x 4.00	203 x 203 x 102	14	12
1084 SCG	10.00 x 8.00 x 4.00	254 x 203 x 102	14	12
10104 SCG	10.00 x 10.00 x 4.00	254 x 254 x 102	14	12
12124 SCG	12.00 x 12.00 x 4.00	305 x 305 x 102	14	12
666 SCG	6.00 x 6.00 x 6.00	152 x 152 x 152	14	12
886 SCG	8.00 x 8.00 x 6.00	203 x 203 x 152	14	12
10106 SCG	10.00 x 10.00 x 6.00	254 x 254 x 152	14	12
12106 SCG	12.00 x 10.00 x 6.00	305 x 254 x 152	14	12
12126 SCG	12.00 x 12.00 x 6.00	305 x 305 x 152	14	12
16126 SCG	16.00 x 12.00 x 6.00	406 x 305 x 152	14	12
16166 SCG	16.00 x 16.00 x 6.00	406 x 406 x 152	14	10
18186 SCG	18.00 x 18.00 x 6.00	457 x 457 x 152	14	10
20166 SCG	20.00 x 16.00 x 6.00	508 x 406 x 152	14	10
24246 SCG	24.00 x 24.00 x 6.00	610 x 610 x 152	14	10
12128 SCG	12.00 x 12.00 x 8.00	305 x 305 x 203	14	10
20208 SCG	20.00 x 20.00 x 8.00	508 x 508 x 203	14	10
24208 SCG	24.00 x 20.00 x 8.00	610 x 508 x 203	14	10
24248 SCG	24.00 x 24.00 x 8.00	610 x 610 x 203	14	10
242412 SCG	24.00 x 24.00 x 12.00	610 x 610 x 305	14	10
303012 SCG	30.00 x 30.00 x 12.00	762 x 762 x 305	14	10
363612 SCG	36.00 x 36.00 x 12.00	914 x 914 x 305	14	10

Notes: Dimensions are in inches. Millimeters shown are for reference only. Data subject to change without notice.

Type 1, 3, & 3R Enclosures

Junction Boxes Type 3 Weatherproof Screw Cover Data Sheet

Type 1, 3, & 3R Enclosures



Application

- Used as wiring boxes, junction and pull boxes
- Protects against windblown dust, rain, sleet and external ice formation

Standards

- UL 50 listed, Type 3 and Type 12, (unless noted)
- CSA C22.2 No. 40 certified, Type 3 and Type 12
- Conforms to NEMA standard for Type 3 and Type 12

Finish

- Wash and phosphate undercoat
- ANSI 61 gray polyester powder finish

Accessories

- Ground lug kit
- Touch-up paint
- See Accessories section

Construction

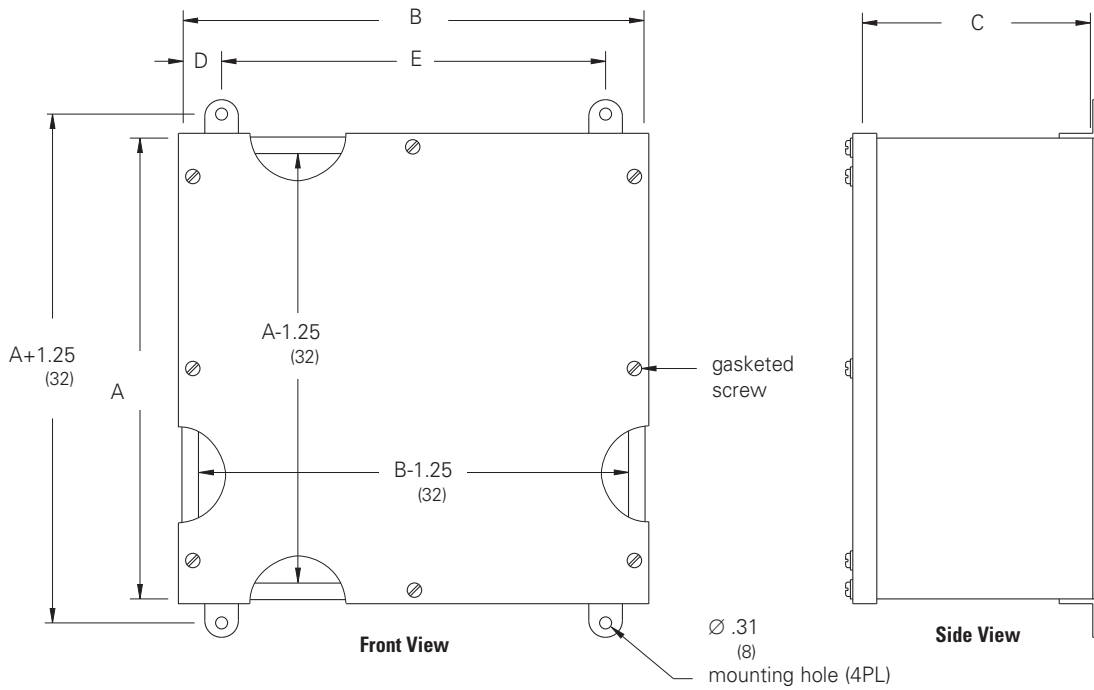
- Enclosure and door are fabricated from steel, (see table, page 63)
- All continuous welded seams are finished smooth
- Enclosure standard without knockouts
- Cover is attached with gasketed screws
- Cover has flanged sides which secure a fixed, water and ice-resistant gasket
- #10-32 weld stud is furnished for optional ground lug kit
- External mounting feet are provided for secure wall mounting

Discount Schedule: A2

Subclass: AR0

Notes: We can provide special sizes, finishes and other modifications. Consult the factory for your special requirements.

Junction Boxes Type 3 Weatherproof Screw Cover Illustration Sheet and Catalog Number



Type 1, 3, & 3R Enclosures

Enclosure Catalog Number	Enclosure Size Height x Width x Depth A x B x C		D		E		Gauge
	in.	mm	in.	mm	in.	mm	
444 WPSC*	4.00 x 4.00 x 4.00	102 x 102 x 102	2.00	51	-	-	16
644 WPSC*	6.00 x 4.00 x 4.00	152 x 102 x 102	2.00	51	-	-	16
664 WPSC	6.00 x 6.00 x 4.00	152 x 152 x 102	1.00	25	4.00	102	16
864 WPSC	8.00 x 6.00 x 4.00	203 x 152 x 102	1.00	25	4.00	102	16
884 WPSC	8.00 x 8.00 x 4.00	203 x 203 x 102	1.00	25	6.00	152	16
1084 WPSC	10.00 x 8.00 x 4.00	254 x 203 x 102	1.00	25	6.00	152	16
10104 WPSC	10.00 x 10.00 x 4.00	254 x 254 x 102	1.00	25	8.00	203	16
12124 WPSC	12.00 x 12.00 x 4.00	305 x 305 x 102	1.00	25	10.00	254	16
18184 WPSC	18.00 x 18.00 x 4.00	457 x 457 x 102	1.00	25	16.00	406	16
666 WPSC	6.00 x 6.00 x 6.00	152 x 152 x 152	1.00	25	4.00	102	16
886 WPSC	8.00 x 8.00 x 6.00	203 x 203 x 152	1.00	25	6.00	152	16
10106 WPSC	10.00 x 10.00 x 6.00	254 x 254 x 152	1.00	25	8.00	203	16
1286 WPSC	12.00 x 8.00 x 6.00	305 x 203 x 152	1.00	25	6.00	152	16
12126 WPSC	12.00 x 12.00 x 6.00	350 x 305 x 152	1.00	25	10.00	254	16
16126 WPSC	16.00 x 12.00 x 6.00	381 x 305 x 152	1.00	25	10.00	254	16
18126 WPSC	18.00 x 12.00 x 6.00	457 x 305 x 152	1.00	25	10.00	254	16
18186 WPSC	18.00 x 18.00 x 6.00	457 x 457 x 152	1.00	25	16.00	406	16
24186 WPSC	24.00 x 18.00 x 6.00	610 x 457 x 152	1.00	25	16.00	406	16
24246 WPSC	24.00 x 24.00 x 6.00	610 x 610 x 152	1.00	25	22.00	559	14
12128 WPSC	12.00 x 12.00 x 8.00	305 x 305 x 203	1.00	25	10.00	254	16
18188 WPSC	18.00 x 18.00 x 8.00	457 x 457 x 203	1.00	25	16.00	406	16
24248 WPSC	24.00 x 24.00 x 8.00	610 x 610 x 203	1.00	25	22.00	559	14
302410 WPSC	30.00 x 24.00 x 10.00	762 x 610 x 254	1.00	25	22.00	559	14

* UL 508A listed, Type 3 and Type 12

Notes: Dimensions are in inches. Millimeters shown are for reference only. Data subject to change without notice.

Type 1, 3, & 3R Enclosures

Panel Enclosures Type 1 Small Data Sheet

Type 1, 3, & 3R Enclosures



Application

- Houses electrical controls and instruments in an environment which does not require oil or dust tight specifications
- Protects against contact with enclosed equipment

Standards

- UL 50 listed, Type 1
- CSA C22.2 No. 40 certified, Type 1
- Conforms to NEMA standard for Type 1

Finish

- Wash and phosphate undercoat
- ANSI 61 gray painted finish

Accessories

- Panels
- Terminal blocks
- Type 1 flush lock
- Touch-up paint
- #8-32 self tapping screw (10168)
- See Accessories section

Construction

- Enclosure and cover are fabricated from (16) gauge steel
- Enclosure body has mounting holes on the back which are accessible with or without the optional panel installed
- Cover is secured to the body with a continuous hinge on one side and flush latch on the opposite side
- Flush latch is designed to operate with either coin or screwdriver
- #10-32 provisions for mounting optional panel
- No knockouts
- Ground stud provided on door

Discount Schedule: C2

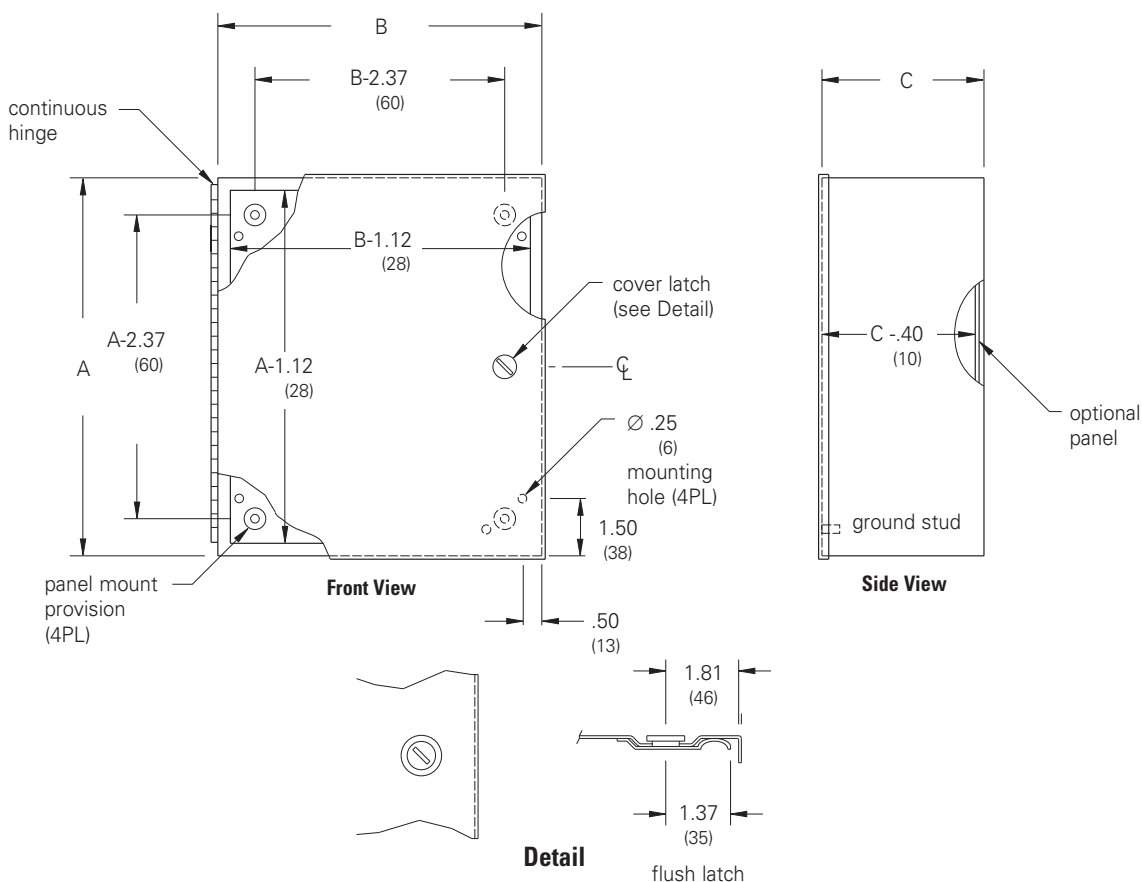
Subclass: D70

Notes: We can provide special sizes, finishes and other modifications. Consult the factory for your special requirements.

Panel Enclosures Type 1 Small Illustration Sheet and Catalog Number

Enclosure Catalog Number	Enclosure Size Height x Width x Depth A x B x C		Panel Catalog Number		Panel Size	
	in.	mm	Solid	Perforated	Height in.	Width mm
664-1	6.00 x 6.00 x 4.00	152 x 152 x 102	N66P	N66PP	4.25 x 4.25	108 x 108
864-1	8.00 x 6.00 x 4.00	203 x 152 x 102	N86P	N86PP	6.25 x 4.25	159 x 108
884-1	8.00 x 8.00 x 4.00	203 x 203 x 102	N88P	N88PP	6.25 x 6.25	159 x 159
1084-1	10.00 x 8.00 x 4.00	254 x 203 x 102	N108P	N108PP	8.25 x 6.25	210 x 159
10104-1	10.00 x 10.00 x 4.00	254 x 254 x 102	N1010P	N1010PP	8.25 x 8.25	210 x 210
12104-1	12.00 x 10.00 x 4.00	305 x 254 x 102	N1210P	N1210PP	10.25 x 8.25	260 x 210
12124-1	12.00 x 12.00 x 4.00	305 x 305 x 102	N1212P	N1212PP	10.25 x 10.25	260 x 260
14124-1	14.00 x 12.00 x 4.00	356 x 305 x 102	N1412P	N1412PP	12.25 x 10.25	311 x 260
866-1	8.00 x 6.00 x 6.00	203 x 152 x 152	N86P	N86PP	6.25 x 4.25	159 x 108
886-1	8.00 x 8.00 x 6.00	203 x 203 x 152	N88P	N88PP	6.25 x 6.25	159 x 159
1086-1	10.00 x 8.00 x 6.00	254 x 203 x 152	N108P	N108PP	8.25 x 6.25	210 x 159
10106-1	10.00 x 10.00 x 6.00	254 x 254 x 152	N1010P	N1010PP	8.25 x 8.25	210 x 210
12106-1	12.00 x 10.00 x 6.00	305 x 254 x 152	N1210P	N1210PP	10.25 x 8.25	260 x 210
12126-1	12.00 x 12.00 x 6.00	305 x 305 x 152	N1212P	N1212PP	10.25 x 10.25	260 x 260
14126-1	14.00 x 12.00 x 6.00	356 x 305 x 152	N1412P	N1412PP	12.25 x 10.25	311 x 260
20126-1	20.00 x 12.00 x 6.00	508 x 305 x 152	N2012P	N2012PP	18.25 x 10.25	464 x 260
12128-1	12.00 x 12.00 x 8.00	305 x 305 x 203	N1212P	N1212PP	10.25 x 10.25	260 x 260
14128-1	14.00 x 12.00 x 8.00	356 x 305 x 203	N1412P	N1412PP	12.25 x 10.25	311 x 260

Type 1, 3, & 3R Enclosures



Notes: Dimensions are in inches. Millimeters shown are for reference only. Data subject to change without notice.

Type 1, 3, & 3R Enclosures

Panel Enclosures Type 1 Medium Data and Illustration Sheet

Type 1, 3, & 3R Enclosures



Application

- Houses electrical controls and instruments in an environment which does not require oil and dust tight specifications
- Protects against contact with enclosed equipment

Standards

- UL 50 listed, Type 1
- CSA C22.2 No. 40 certified, Type 1
- Conforms to NEMA standard for Type 1

Finish

- Wash and phosphate undercoat
- ANSI 61 gray painted finish
- Optional panels have a white polyester powder finish

Accessories

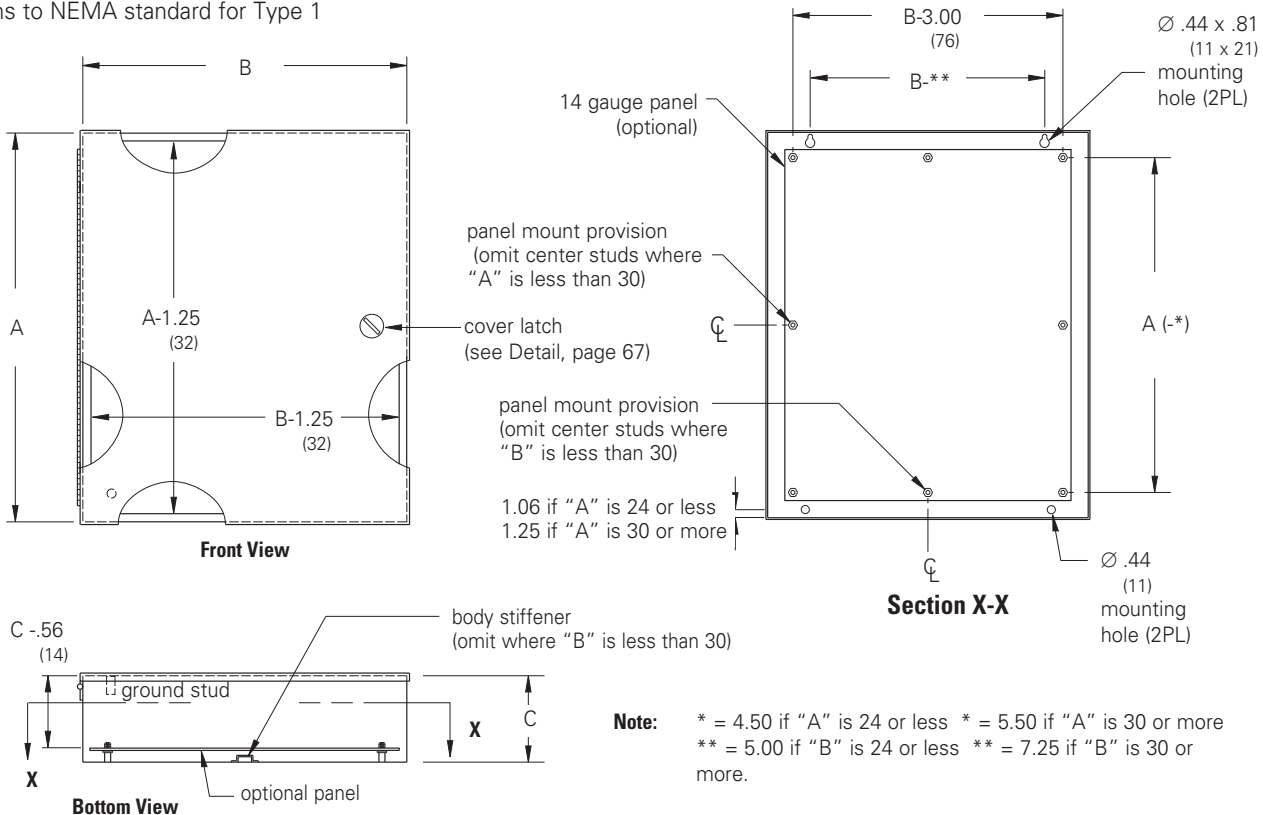
- Panels
- Terminal blocks
- Type 1 flush lock
- Type 1 security latch inserts
- Touch-up paint
- See Accessories section
- #8-32 self tapping screw (10168)

Construction

- Enclosure and door are fabricated from code gauge steel, (see table, page 67)
- Enclosure body has mounting holes on the back which are accessible with or without the optional panel installed
- Door is secured to the body with a continuous hinge on one side and a flush latch mounted to the opposite side
- Flush latch is designed to operate with either coin or screwdriver
- .375-16 provisions for mounting optional panel
- No knockouts
- Ground stud provided on door

Discount Schedule: C2

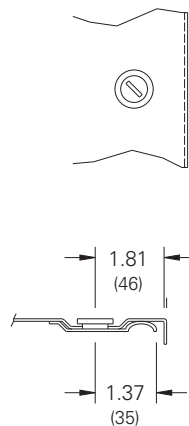
Subclass: D80



Notes: We can provide special sizes, finishes and other modifications. Consult the factory for your special requirements. Dimensions are in inches. Millimeters shown are for reference only. Data subject to change without notice.

Panel Enclosures Type 1 Medium Illustration Sheet and Catalog Number

Enclosure Catalog Number	Enclosure Size Height x Width x Depth		Gauge	Panel Catalog Number A x B x C		Panel Size Height x Width	
	in.	mm		Solid	Perforated	in.	mm
	16126-1	16.00 x 12.00 x 6.62		406 x 305 x 168	16	AW1612-1P	AW1612-1PP
16166-1	16.00 x 16.00 x 6.62	406 x 406 x 168	16	AW1616-1P	AW1616-1PP	13.00 x 14.50	330 x 368
16206-1	16.00 x 20.00 x 6.62	406 x 508 x 168	16	AW1620-1P	AW1620-1PP	13.00 x 18.50	330 x 470
20166-1	20.00 x 16.00 x 6.62	508 x 406 x 168	16	AW2016-1P	AW2016-1PP	17.00 x 14.50	432 x 368
20206-1	20.00 x 20.00 x 6.62	508 x 508 x 168	14	AW2020-1P	AW2020-1PP	17.00 x 18.50	432 x 470
24166-1	24.00 x 16.00 x 6.62	610 x 406 x 168	14	AW2416-1P	AW2416-1PP	21.00 x 14.50	533 x 368
24206-1	24.00 x 20.00 x 6.62	610 x 508 x 168	14	AW2420-1P	AW2420-1PP	21.00 x 18.50	533 x 470
24246-1	24.00 x 24.00 x 6.62	610 x 610 x 168	14	AW2424-1P	AW2424-1PP	21.00 x 22.50	533 x 572
30206-1	30.00 x 20.00 x 6.62	762 x 508 x 168	14	AW3020-1P	AW3020-1PP	26.00 x 18.50	660 x 470
30246-1	30.00 x 24.00 x 6.62	762 x 610 x 168	14	AW3024-1P	AW3024-1PP	26.00 x 22.50	660 x 572
36246-1	36.00 x 24.00 x 6.62	914 x 610 x 168	14	AW3624-1P	AW3624-1PP	32.00 x 22.50	813 x 572
36306-1	36.00 x 30.00 x 6.62	914 x 762 x 168	14	AW3630-1P	AW3630-1PP	32.00 x 28.50	813 x 724
16128-1	16.00 x 12.00 x 8.62	406 x 305 x 219	16	AW1612-1P	AW1612-1PP	13.00 x 10.50	330 x 267
20168-1	20.00 x 16.00 x 8.62	508 x 406 x 219	16	AW2016-1P	AW2016-1PP	17.00 x 14.50	432 x 368
20208-1	20.00 x 20.00 x 8.62	508 x 508 x 219	14	AW2020-1P	AW2020-1PP	17.00 x 18.50	432 x 470
20248-1	20.00 x 24.00 x 8.62	508 x 610 x 219	14	AW2024-1P	AW2024-1PP	17.00 x 22.50	432 x 572
24208-1	24.00 x 20.00 x 8.62	610 x 508 x 219	14	AW2420-1P	AW2420-1PP	21.00 x 18.50	533 x 470
24248-1	24.00 x 24.00 x 8.62	610 x 610 x 219	14	AW2424-1P	AW2424-1PP	21.00 x 22.50	533 x 572
30208-1	30.00 x 20.00 x 8.62	762 x 508 x 219	14	AW3020-1P	AW3020-1PP	26.00 x 18.50	660 x 470
30248-1	30.00 x 24.00 x 8.62	762 x 610 x 219	14	AW3024-1P	AW3024-1PP	26.00 x 22.50	660 x 572
30308-1	30.00 x 30.00 x 8.62	762 x 762 x 219	14	AW3030-1P	AW3030-1PP	26.00 x 28.50	660 x 724
36248-1	36.00x24.00x8.62	914 x 610 x 219	14	AW3624-1P	AW3624-1PP	32.00 x 22.50	813 x 572
36308-1	36.00x30.00x8.62	914 x 762 x 219	14	AW3630-1P	AW3630-1PP	32.00 x 28.50	813 x 724
42248-1	42.00x24.00x8.62	1067 x 610 x 219	14	AW4224-1P	AW4224-1PP	38.00 x 22.50	965 x 572
242010-1	24.00x20.00x10.62	610 x 508 x 270	14	AW2420-1P	AW2420-1PP	21.00 x 18.50	533 x 470
302410-1	30.00x24.00x10.62	762 x 610 x 270	14	AW3024-1P	AW3024-1PP	26.00 x 22.50	660 x 572
242012-1	24.00x20.00x12.62	610 x 508 x 321	14	AW2420-1P	AW2420-1PP	21.00 x 18.50	533 x 470
242412-1	24.00x24.00x12.62	610 x 610 x 321	14	AW2424-1P	AW2424-1PP	21.00 x 22.50	533 x 572
302412-1	30.00x24.00x12.62	762 x 610 x 321	14	AW3024-1P	AW3024-1PP	26.00 x 22.50	660 x 572
363012-1	36.00x30.00x12.62	914 x 762 x 321	14	AW3630-1P	AW3630-1PP	32.00 x 28.50	813 x 724



flush latch

Detail

Notes: Dimensions are in inches. Millimeters shown are for reference only. Data subject to change without notice.

Type 1, 3, & 3R Enclosures

Panel Enclosures Type 1 Large Data Sheet

Type 1, 3, & 3R Enclosures



Application

- Houses electrical controls and instruments in an environment which does not require oil and dust tight specifications
- Protects against contact with enclosed equipment

Standards

- UL 50 Listed, Type 1
- CSA C22.2 No. 40 certified, Type 1
- Conforms to NEMA Standard for Type 1

Finish

- Wash and phosphate undercoat
- ANSI 61 gray painted finish
- Optional panels have a white polyester powder finish

Accessories

- Panels
- Terminal blocks
- Type 1 flush lock
- Swing panel kits
- Window kits
- Touch-up paint

Construction

- Enclosure and door are fabricated from (14) gauge steel
- Enclosure body has mounting holes on the back which are accessible with or without the optional panel installed
- Door is secured to the body with a heavy-duty continuous hinge on one side and slotted flush latches on the opposite side
- Body has stiffener for extra rigidity
- Slotted flush latch is designed to operate with either a coin or a screwdriver
- .375-16 provisions for mounting optional panels
- No knockouts
- Ground stud provided on door

Discount Schedule: C2

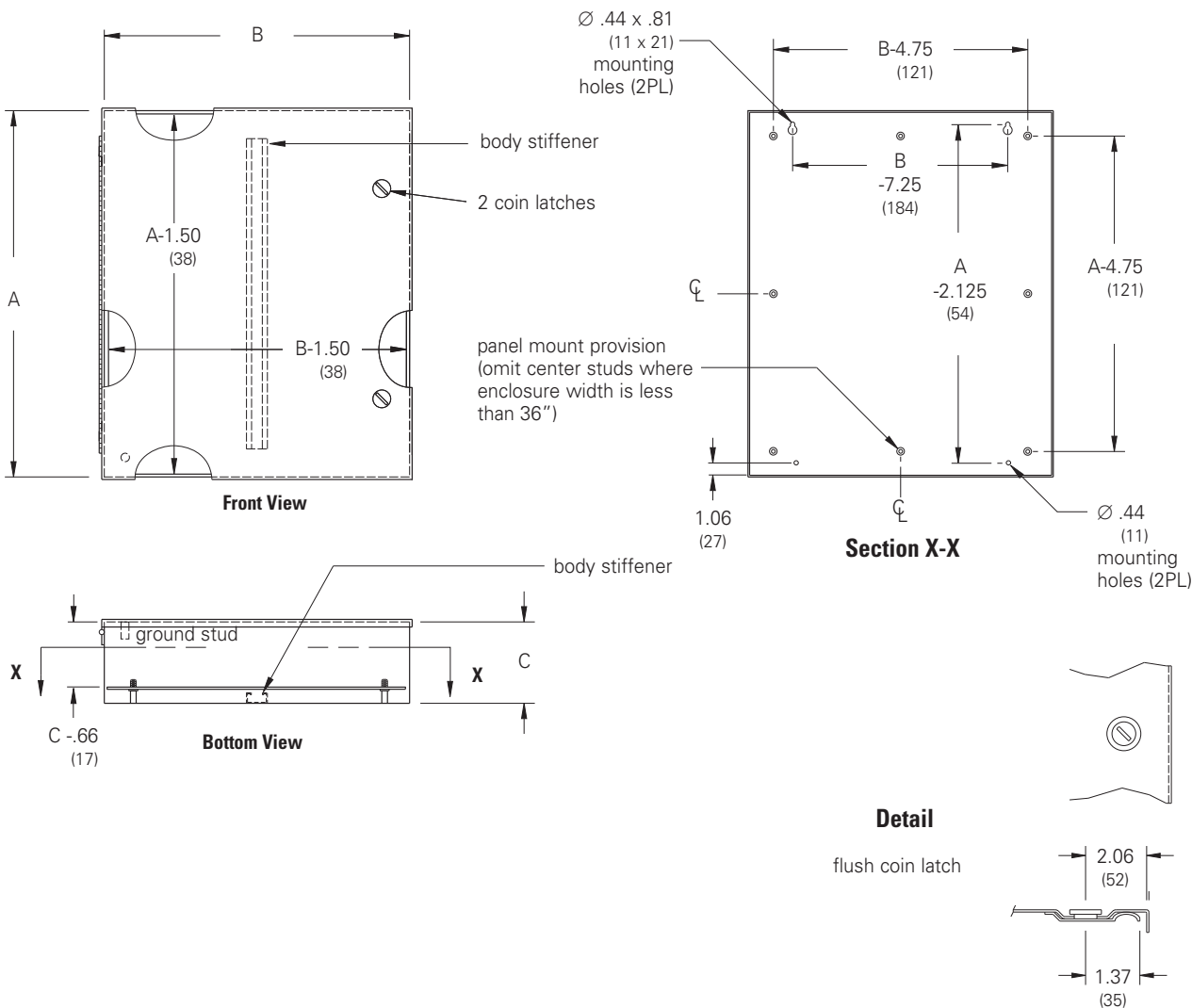
Subclass: D83

Notes: We can provide special sizes, finishes and other modifications. Consult the factory for your special requirements.

Panel Enclosures Type 1 Large Illustration Sheet and Catalog Number

Type 1, 3, & 3R Enclosures

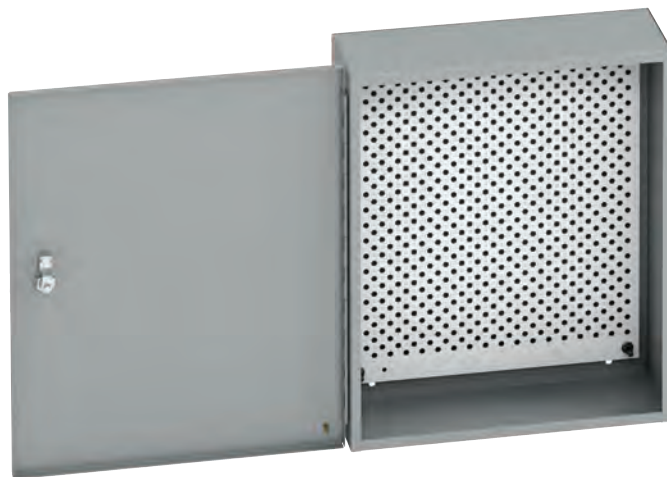
Enclosure Catalog Number	Enclosure Size Height x Width x Depth A x B x C		Panel Catalog Number	Panel Size Height x Width	
	in.	mm		in.	mm
42309-1	42.00 x 30.00 x 9.25	1067 x 762 x 235	AW4230P	38.87 x 26.87	987 x 682
42369-1	42.00 x 36.00 x 9.25	1067 x 914 x 235	AW4236P	38.87 x 32.87	987 x 835
48369-1	48.00 x 36.00 x 9.25	1219 x 914 x 235	AW4836P	44.87 x 32.87	1140 x 835
483611-1	48.00 x 36.00 x 11.25	1219 x 914 x 286	AW4836P	44.87 x 32.87	1140 x 835
423013-1	42.00 x 30.00 x 13.25	1067 x 762 x 337	AW4230P	38.87 x 26.87	987 x 682
423613-1	42.00 x 36.00 x 13.25	1067 x 914 x 337	AW4236P	38.87 x 32.87	987 x 835
483613-1	48.00 x 36.00 x 13.25	1219 x 914 x 337	AW4836P	44.87 x 32.87	1140 x 835
483617-1	48.00 x 36.00 x 17.25	1219 x 914 x 438	AW4836P	44.87 x 32.87	1140 x 835



Notes: Dimensions are in inches. Millimeters shown are for reference only. Data subject to change without notice.

Type 1, 3, & 3R Enclosures

Panel Enclosures Type 1 Locking Hinge Cover With Perforated Panel Data Sheet and Catalog Number



Type 1, 3, & 3R Enclosures

Application

- Houses electrical and electronic controls and instruments in an environment which does not require oil, dust, or water tight specifications
- Protects against contact with enclosed equipment

Standards

- UL 50 listed, Type 1
- CSA C22.2 No. 40 certified, Type 1
- Conforms to NEMA standard for Type 1

Finish

- Wash and phosphate undercoat
- ANSI 61 gray painted finish

Accessories

- Touch-up paint (84034)
- Self-tapping screws (10168)

Construction

- Covers and bodies are fabricated from code gauge steel (see below)
- Includes panel grounding hardware kit
- Cover has keyed quarter-turn lock, two (2) keys are included
- Includes removable 16 gauge white perforated panel
- Enclosure body has mounting holes on the back which are accessible with or without the panel installed
- Cover is secured to the body with a continuous hinge on one side and a flush latch on the opposite side
- Ground stud provided on door

Discount Schedule: C2

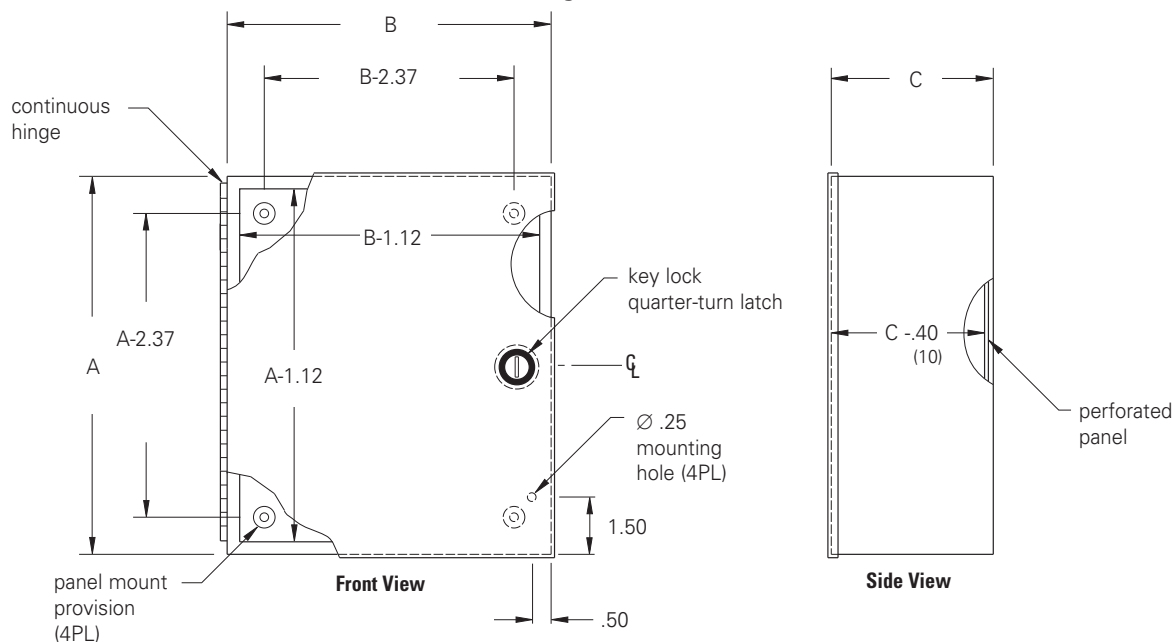
Subclass: D85

Catalog Number	Height x Depth x Length A x B x C		Gauge		Perforated Panel Size	
	in.	mm	in.	mm	in.	mm
12126-1PP	12.00 x 12.00 x 6.00	305 x 305 x 152	16	1.4	10.25 x 10.25	260.3 x 260.3
16126-1PP	16.00 x 12.00 x 6.00	406 x 305 x 152	16	1.4	13.00 x 10.50	260.3 x 260.3
20166-1PP	20.00 x 16.00 x 6.00	508 x 406 x 152	16	1.4	17.00 x 14.50	431.8 x 368.3
24206-1PP	24.00 x 20.00 x 6.00	610 x 508 x 152	14	1.9	21.00 x 18.50	533.4 x 469.9
36246-1PP	36.00 x 24.00 x 6.00	914 x 610 x 152	14	1.9	32.00 x 22.50	812.8 x 571.5
36306-1PP	36.00 x 30.00 x 6.00	914 x 762 x 152	14	1.9	32.00 x 28.50	812.8 x 723.9

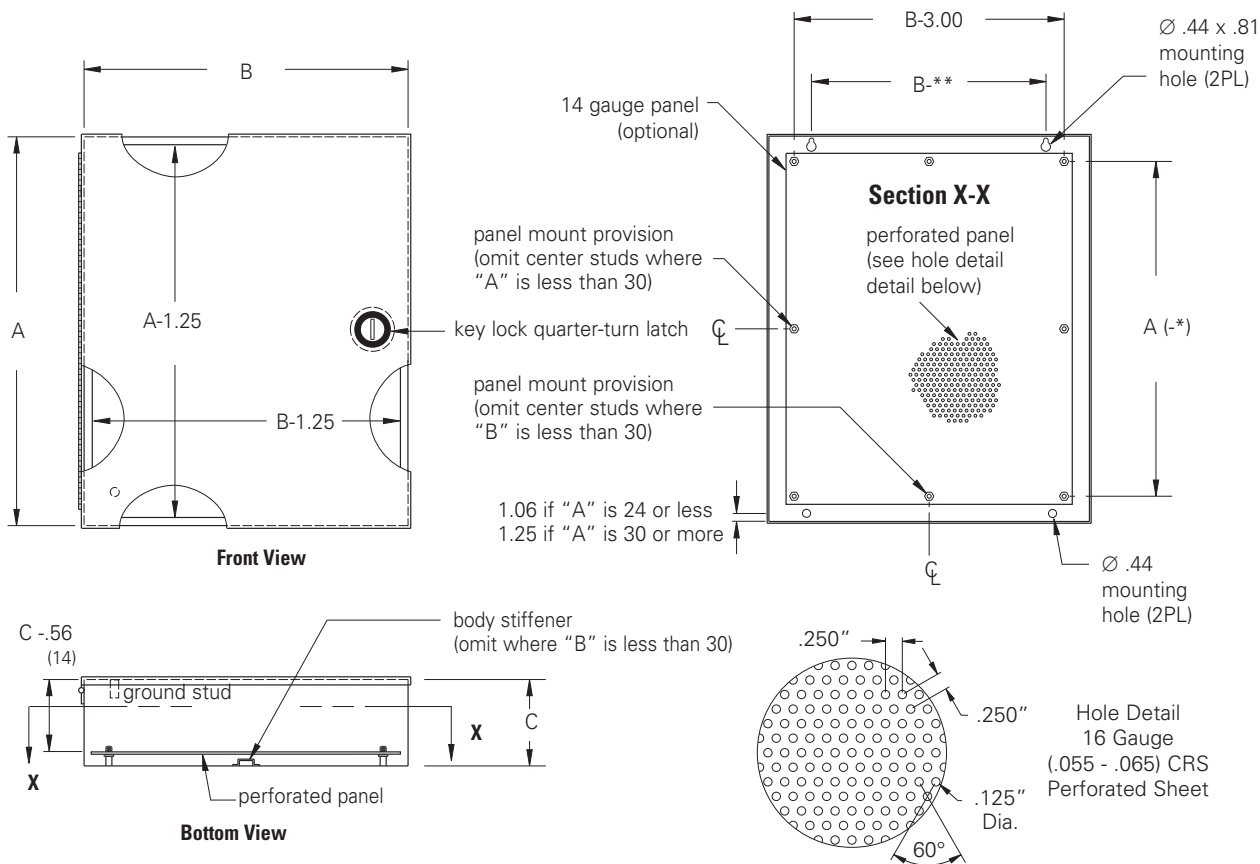
Notes: We can provide special sizes, finishes and other modifications. Consult the factory for your special requirements. Dimensions are in inches. Millimeters shown are for reference only. Data subject to change without notice.

Panel Enclosures Type 1 Locking Hinge Cover With Perforated Panel Illustration Sheet

Drawings for 12126-1PP



Drawings for 16126-1PP, 20166-1PP, 24206-1PP, 36246-1PP, 36306-1PP



Note: * = 4.50 if "A" is 24 or less * = 5.50 if "A" is 30 or more
** = 5.00 if "B" is 24 or less ** = 7.25 if "B" is 30 or more.

Notes: Dimensions are in inches. Millimeters shown are for reference only. Data subject to change without notice.

Type 1, 3, & 3R Enclosures

Panel Enclosures Type 3R Small Continuous Hinge Cover Data Sheet and Catalog Number

Type 1, 3, & 3R Enclosures



Application

- Used as wiring boxes, junction and pull boxes
- Protects against falling rain, sleet and external ice formation

Standards

- UL 50 listed, Type 3R
- CSA C22.2 No. 40 certified, Type 3R
- Conforms to NEMA standard for Type 3R

Finish

- Wash and phosphate undercoat
- ANSI 61 gray painted finish

Accessories

- Panels
- Touch-up paint
- #10-32 self tapping screw (10168)
- See Accessories section

Construction

- Enclosure and cover are fabricated from (16) gauge galvaneal steel
- Knockouts are furnished on bottom end
- Cover is secured to the body with a continuous hinge and stainless steel pin on one side and a padlock draw pull catch on the opposite side
- #10-32 weldnuts are furnished for mounting optional panel
- External mounting feet are provided for secure wall mounting
- Ground stud provided on door

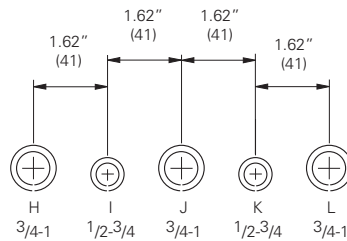
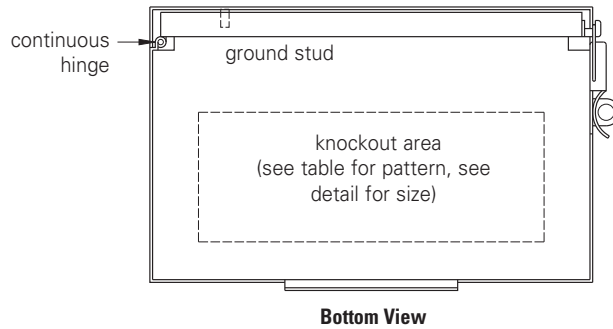
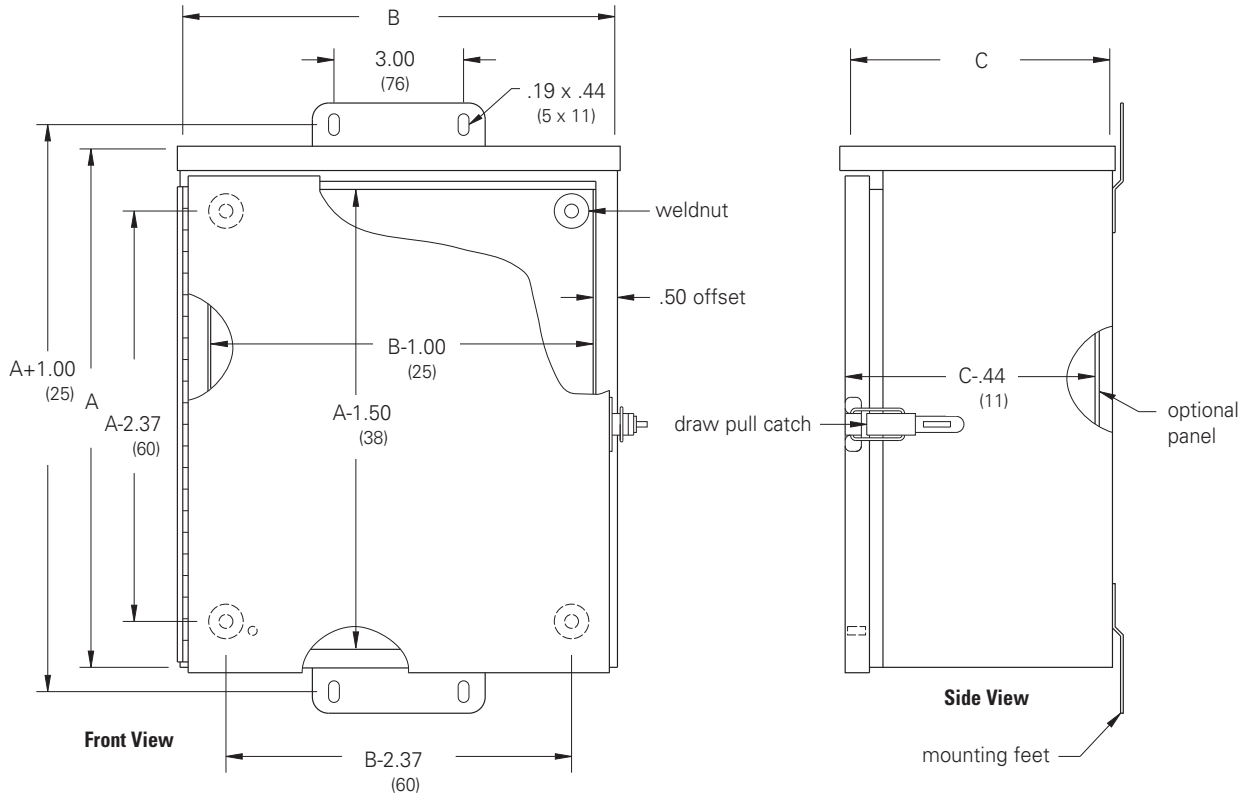
Discount Schedule: A2

Subclass: AU0

Enclosure Catalog Number	Enclosure Size Height x Width x Depth A x B x C		Knockout Pattern Bottom	Panel Catalog Number		Panel	
	in.	mm		Solid	Perforated	Height in.	x Width mm
644 RHC	6.00 x 4.00 x 4.00	152 x 102 x 102	(I J)	N64P	N64PP	4.25 x 2.25	108 x 57
664 RHC	6.00 x 6.00 x 4.00	152 x 152 x 102	(I J K)	N66P	N66PP	4.25 x 4.25	108 x 108
864 RHC	8.00 x 6.00 x 4.00	203 x 152 x 102	(I J K)	N86P	N86PP	6.25 x 4.25	159 x 108
884 RHC	8.00 x 8.00 x 4.00	203 x 203 x 102	(I J K L)	N88P	N88PP	6.25 x 6.25	159 x 159
886 RHC	8.00 x 8.00 x 6.00	203 x 203 x 152	(I J K L)	N88P	N88PP	6.25 x 6.25	159 x 159
1086 RHC	10.00 x 8.00 x 6.00	254 x 203 x 152	(I J K L)	N108P	N108PP	8.25 x 6.25	210 x 159
12106 RHC	12.00 x 10.00 x 6.00	305 x 254 x 152	(H I J K L)	N1210P	N1210PP	10.25 x 8.25	260 x 210
12126 RHC	12.00 x 12.00 x 6.00	305 x 305 x 152	(H I J K L)	N1212P	N1212PP	10.25 x 10.25	260 x 260
121210 RHC	12.00 x 12.00 x 10.00	305 x 305 x 254	(H I J K L)	N1212P	N1212PP	10.25 x 10.25	260 x 260

Notes: We can provide special sizes, finishes and other modifications. Consult the factory for your special requirements.

Panel Enclosures Type 3R Small Continuous Hinge Cover Illustration Sheet



Conduit Sizes

Knockout Detail

Note: See table for applicable knockout pattern.

Notes: Dimensions are in inches. Millimeters shown are for reference only. Data subject to change without notice.

Type 1, 3, & 3R Enclosures

Panel Enclosures Type 3R Large Continuous Hinge Cover Data Sheet and Catalog Number

Type 1, 3, & 3R Enclosures



Application

- Used as wiring boxes, junction and pull boxes
- Protects against falling rain, sleet and external ice formation

Standards

- UL 50 listed, Type 3R
- CSA C22.2 No. 40 certified, Type 3R
- Conforms to NEMA standard for Type 3R

Construction

- Enclosure and door are fabricated from code gauge galvaneal steel, (see below)
- Enclosure standard without knockouts
- Door is secured to the body with a continuous hinge and stainless steel pin on one side and captive screws on the opposite side
- Door has padlock hasp with sealing hole provision
- .375-16 collar studs are furnished for mounting optional panel
- External mounting feet are provided for secure wall mounting
- Ground stud provided on door

Finish

- Wash and phosphate undercoat
- ANSI 61 gray painted finish

Accessories

- Panels
- Touch-up paint
- See Accessories section

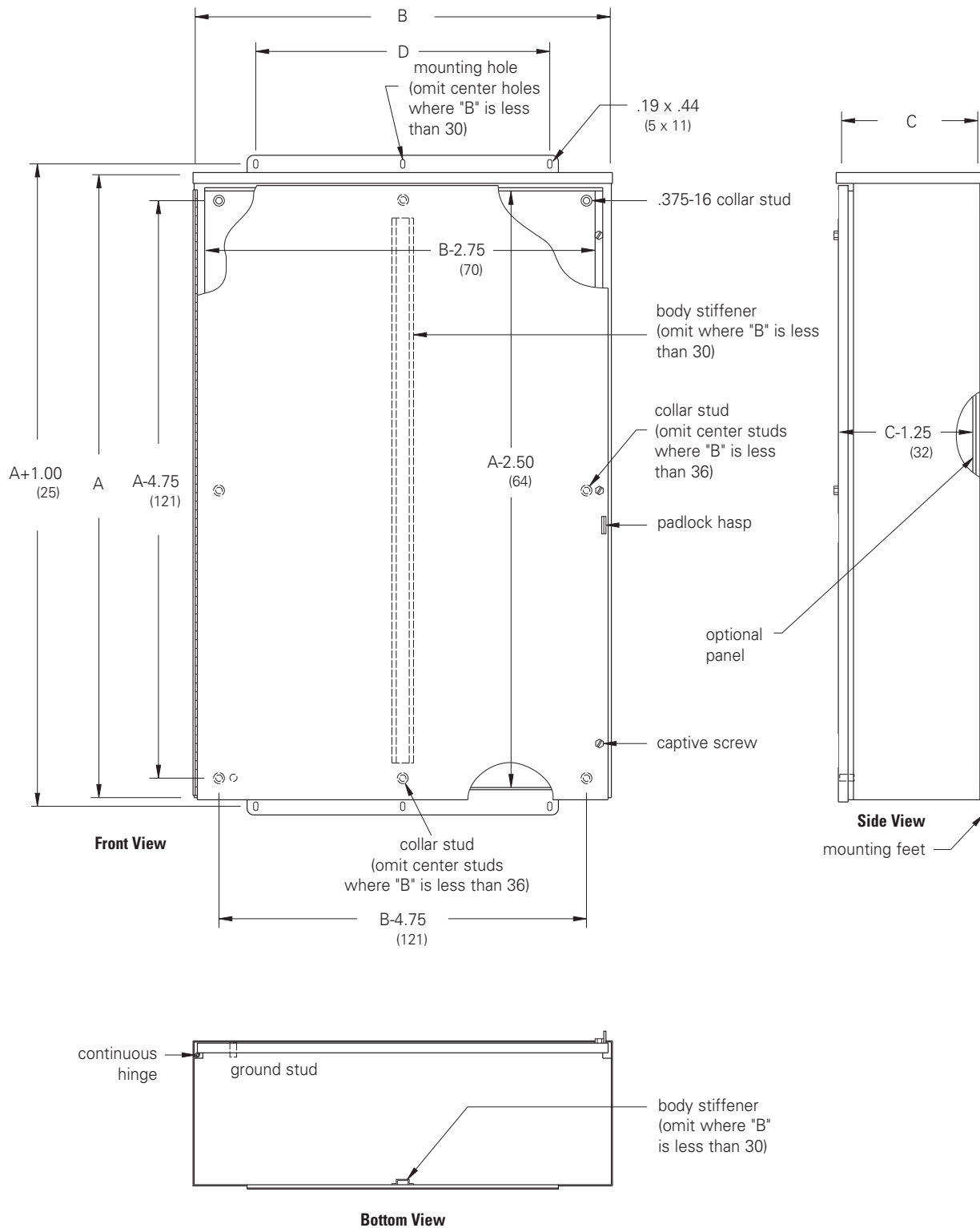
Discount Schedule: A2

Subclass: AU0

Enclosure Catalog Number	Enclosure Size Height x Width x Depth A x B x C		D		Gauge	Panel Catalog Number	Panel Size	
	in.	mm	in.	mm			Height in.	x Width mm
16126RHC	16.00 x 12.00 x 6.00	406 x 305 x 152	5.00	127	16	N1612P	13.00 x 9.00	330 x 229
16166RHC	16.00 x 16.00 x 6.00	406 x 406 x 152	9.00	229	16	N1616P	13.00 x 13.00	330 x 330
18186RHC	18.00 x 18.00 x 6.00	457 x 457 x 152	13.00	330	16	N1818P	15.00 x 15.00	381 x 381
181810RHC	18.00 x 18.00 x 10.00	457 x 457 x 254	13.00	330	16	N1818P	15.00 x 15.00	381 x 381
20166RHC	20.00 x 16.00 x 6.00	508 x 406 x 152	9.00	229	16	N2016P	17.00 x 13.00	432 x 330
20208RHC	20.00 x 20.00 x 8.00	508 x 508 x 203	13.00	330	16	N2020P	17.00 x 17.00	432 x 432
24208RHC	24.00 x 20.00 x 8.00	610 x 508 x 203	13.00	330	16	N2420P	20.87 x 16.87	530 x 428
24248RHC	24.00 x 24.00 x 8.00	610 x 610 x 203	17.00	432	14	N2424P	20.87 x 20.87	530 x 530
242410RHC	24.00 x 24.00 x 10.00	610 x 610 x 254	17.00	432	14	N2424P	20.87 x 20.87	530 x 530
30248RHC	30.00 x 24.00 x 8.00	762 x 610 x 203	17.00	432	14	N3024P	26.87 x 20.87	682 x 530
302410RHC	30.00 x 24.00 x 10.00	762 x 610 x 254	17.00	432	14	N3024P	26.87 x 20.87	682 x 530
30308RHC	30.00 x 30.00 x 8.00	762 x 762 x 203	17.00	432	14	N3030P	26.87 x 26.87	682 x 682
303012RHC	30.00 x 30.00 x 12.00	762 x 762 x 305	27.00	432	14	N3030P	26.87 x 26.87	682 x 682
303016RHC	30.00 x 30.00 x 16.00	762 x 762 x 406	27.00	432	14	N3030P	26.87 x 26.87	682 x 682
362412RHC	36.00 x 24.00 x 12.00	914 x 610 x 305	17.00	432	14	N3624P	32.87 x 20.87	835 x 530
363012RHC	36.00 x 30.00 x 12.00	914 x 762 x 305	27.00	432	14	N3630P	32.87 x 26.87	835 x 682
363610RHC	36.00 x 36.00 x 10.00	914 x 914 x 254	27.00	432	14	N3636P	32.87 x 32.87	835 x 835
363612RHC	36.00 x 36.00 x 12.00	914 x 914 x 305	27.00	432	14	N3636P	32.87 x 32.87	835 x 835
423012RHC	42.00 x 30.00 x 12.00	1067 x 762 x 305	27.00	432	14	N4230P	38.87 x 26.87	987 x 682
423612RHC	42.00 x 36.00 x 12.00	1067 x 914 x 305	27.00	432	14	N4236P	38.87 x 32.87	987 x 835
483612RHC	48.00 x 36.00 x 12.00	1219 x 914 x 305	27.00	432	14	N4836P	44.87 x 32.87	1140 x 835
483616RHC	48.00 x 36.00 x 16.00	1219 x 914 x 406	27.00	432	14	N4836P	44.87 x 32.87	1140 x 835
603612RHC	60.00 x 36.00 x 12.00	1524 x 914 x 305	27.00	432	14	N6036P	56.87 x 32.87	1444 x 835

Notes: We can provide special sizes, finishes and other modifications. Consult the factory for your special requirements.
Dimensions are in inches. Millimeters shown are for reference only. Data subject to change without notice.

Panel Enclosures Type 3R Large Continuous Hinge Cover Illustration Sheet



Type 1, 3, & 3R Enclosures

Notes: Dimensions are in inches. Millimeters shown are for reference only. Data subject to change without notice.

Type 1, 3, & 3R Enclosures

Panel Enclosures Type 3R Double-Door Enclosures Data Sheet and Catalog Number

Type 1, 3, & 3R Enclosures



Application

- Used as wiring boxes, junction and pull boxes
- Protects against falling rain, sleet and external ice formation

Standards

- UL 50 listed, Type 3R
- CSA C22.2 No. 40 certified, Type 3R
- Conforms to NEMA standard for Type 3R

Finish

- Wash and phosphate undercoat
- ANSI 61 gray painted finish

Accessories

- Panels
- Type 3R door handle
- Touch-up paint
- See Accessories section

Construction

- Enclosure and door are fabricated from (12) gauge steel
- Removable center post for complete front access
- Doors are secured to the body with a heavy-duty continuous hinge and stainless steel hinge pin with center locating 3-point padlocking handle mechanism which closes the right side door over the left
- .375-16 collar studs are furnished for mounting optional panel
- External mounting feet are provided for secure wall mounting
- No knockouts
- Ground stud provided on each door

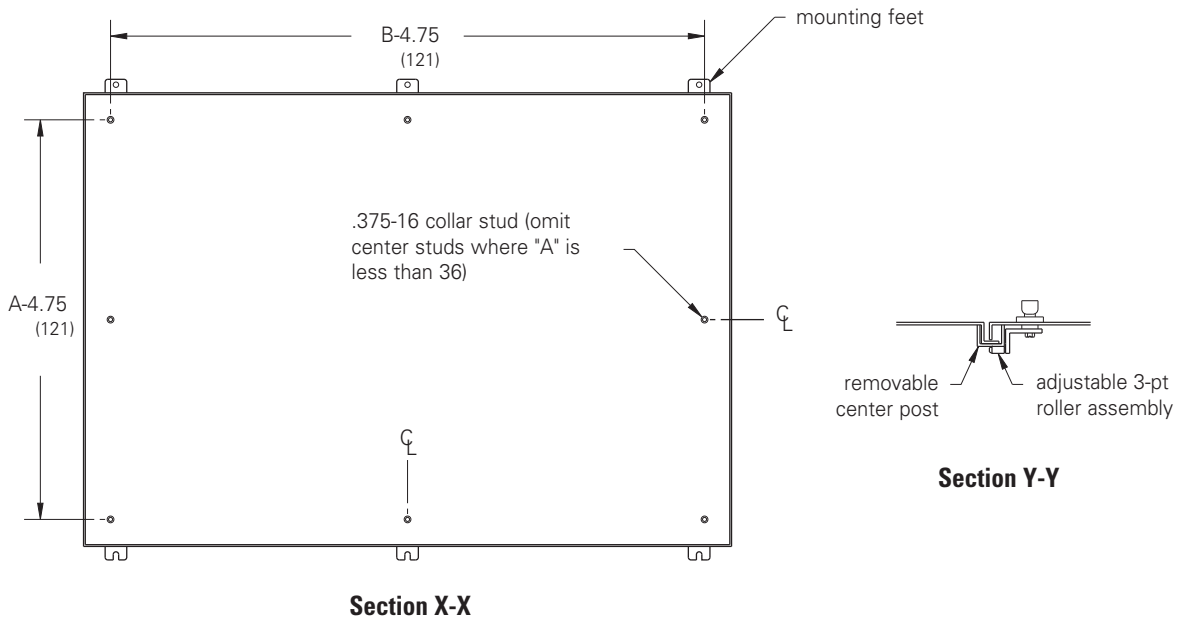
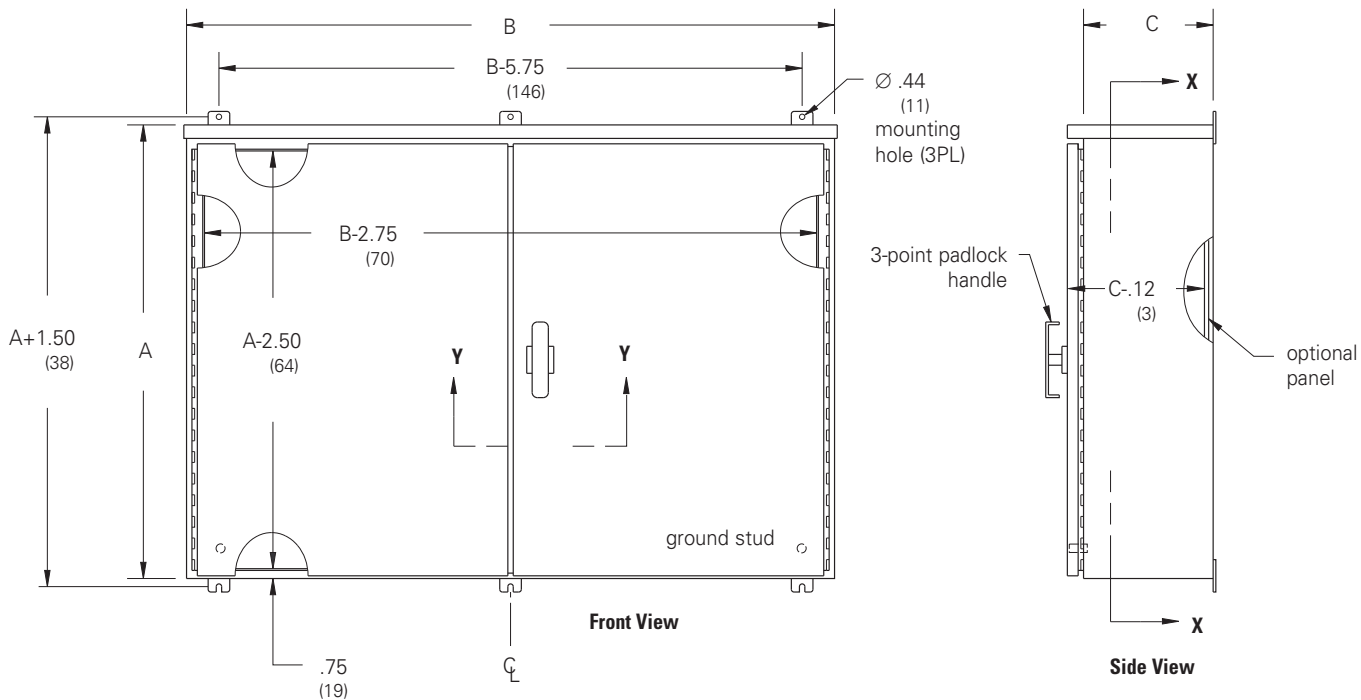
Discount Schedule: A2

Subclass: AU0

Enclosure Catalog Number	Enclosure Size Height x Width x Depth A x B x C		Panel Catalog Number	Panel Size Height x Width	
	in.	mm		in.	mm
304212DRHC	30.00 x 42.00 x 12.00	762 x 1067 x 305	N4230P	26.87 x 38.87	682 x 987
364812DRHC	36.00 x 48.00 x 12.00	914 x 1219 x 305	N4836P	32.87 x 44.87	835 x 1140
303616DRHC	30.00 x 36.00 x 16.00	762 x 914 x 406	N3630P	26.87 x 32.87	682 x 835
364216DRHC	36.00 x 42.00 x 16.00	914 x 1067 x 406	N4236P	32.87 x 38.87	835 x 987

Notes: We can provide special sizes, finishes and other modifications. Consult the factory for your special requirements. Dimensions are in inches. Millimeters shown are for reference only. Data subject to change without notice.

Panel Enclosures Type 3R Double-Door Enclosures Illustration Sheet

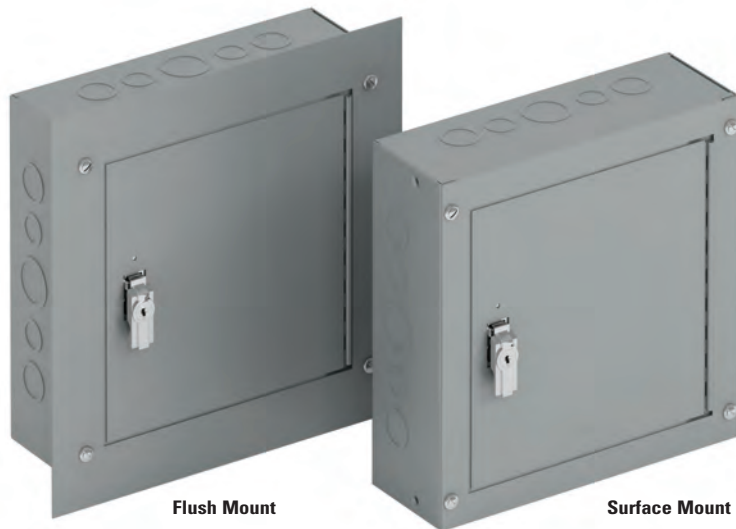


Notes: Dimensions are in inches. Millimeters shown are for reference only. Data subject to change without notice.

Type 1, 3, & 3R Enclosures

Utility Cabinets Type 1 Telephone Cabinets Data Sheet

Type 1, 3, & 3R Enclosures



Application

- Houses electrical controls and instruments
- Used as wiring boxes, junction boxes, pull boxes, telephone and communication cable termination and spare fuse cabinet
- Protects against contact with enclosed equipment

Standards

- UL 50 listed, Type 1
- CSA C22.2 No. 40 certified, Type 1
- Conforms to NEMA standard for Type 1

Finish

- Wash and phosphate undercoat
- ANSI 61 gray acrylic electrocoat finish

Accessories

- Locks and latches
- Ground lug kit
- Terminal blocks
- Wood back boards, barriers and shelves
- Touch-up paint
- See Accessories section

Construction

- Cabinet and trim covers are fabricated from code gauge steel, (see page 80)
- Cabinet body has mounting holes on the back
- Knockouts on sides, top and bottom ends are standard on cabinets 24 inches wide or smaller, (see Type 1 Screw Cover Enclosures for knockout configuration) (see pages 50 - 53)
- Cabinets are available without knockouts
- Surface or flush mounting
- Doors have either a continuous or heavy-duty butt hinge
- Double-door construction on trim covers fitting cabinets when wider than 24 inches
- Tumbler lock with key furnished on single-door trim cover less than 48 inches high
- T-handle 3-pt lock with key furnished on 48" high single-door and all double-door trim covers
- Directory card holder on all trim covers wider than 18 inches
- Trim covers can be ordered separately and used with Type 1 Screw Cover Enclosures, (see page 80)
- Cupped washer and bright finish oval head screw used to protect trim cover finish and improve appearance

Discount Schedule: A2

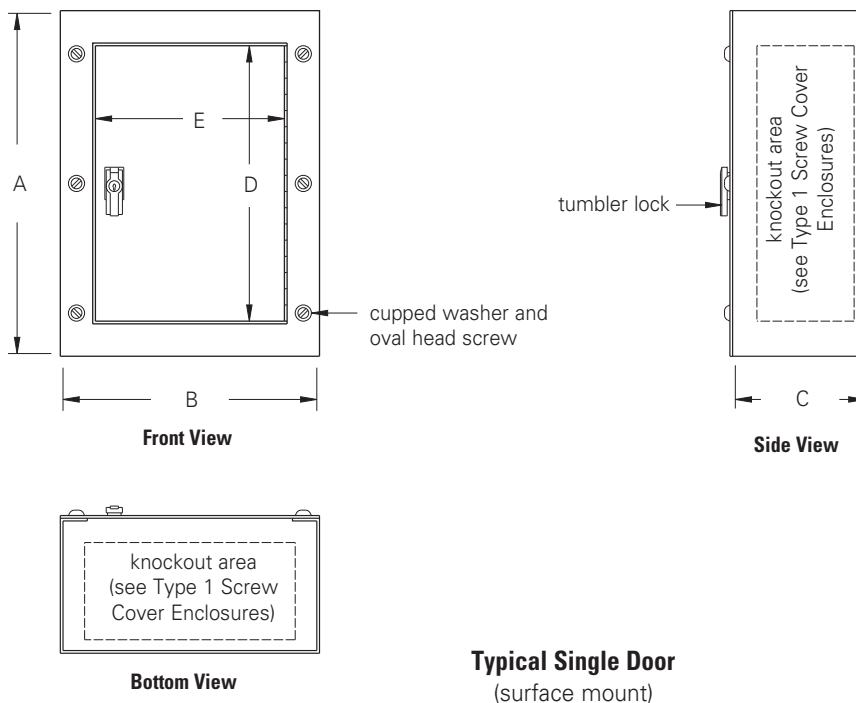
Subclass: A00

Notes: We can provide special sizes, finishes and other modifications. Consult the factory for your special requirements.

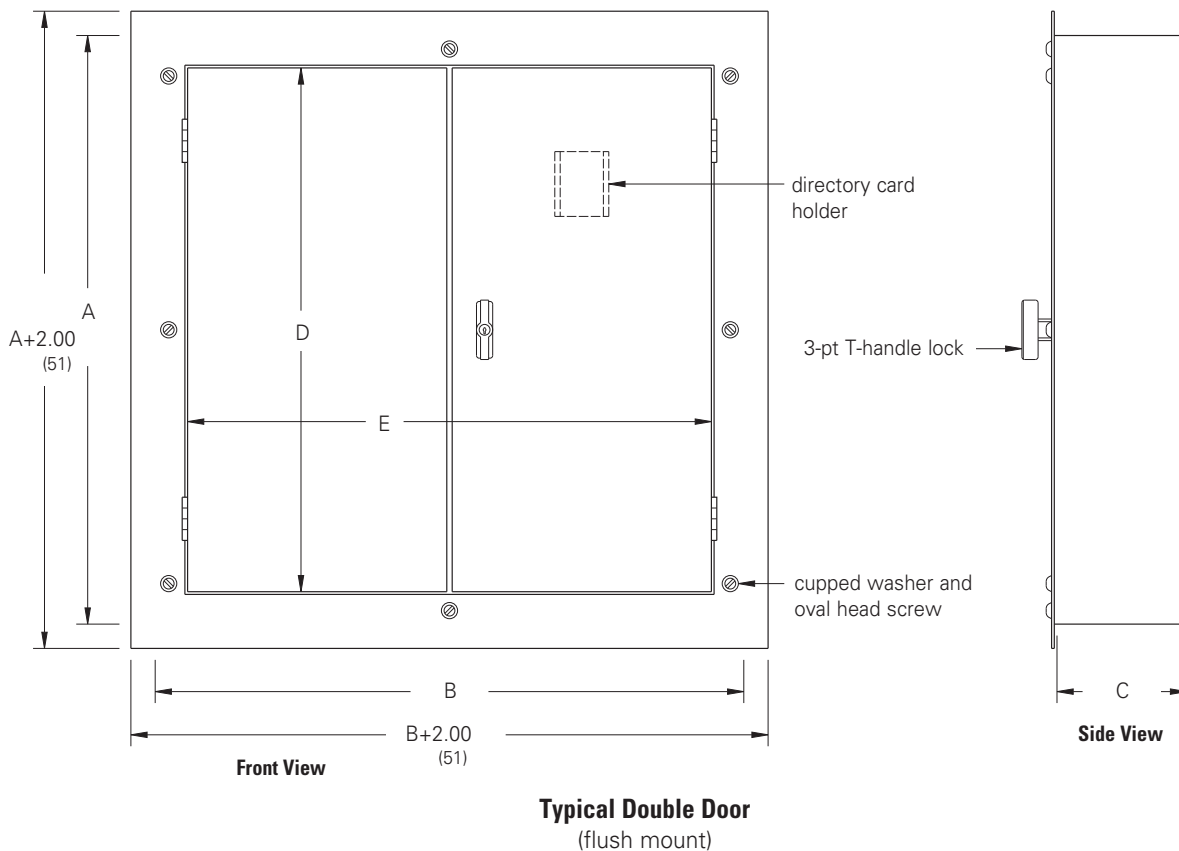
Utility Cabinets Type 1 Telephone Cabinets

Illustration Sheet

See page 80 for catalog numbers and dimensions



Note: Knockouts are standard on cabinets 24 inches wide and smaller. (See Type 1 Screw Cover Enclosures for KO configuration). (see pages 50 - 53)



Notes: Dimensions are in inches. Millimeters shown are for reference only. Data subject to change without notice.

Type 1, 3, & 3R Enclosures

Utility Cabinets Type 1 Telephone Cabinets Catalog Number

Type 1, 3, & 3R Enclosures

Cabinet Depth	Cabinet Catalog Number (includes trim cover)		Cabinet Size Height x Width x Depth A x B x C			Gauge	Trim Cover Catalog Number (trim cover only - does not include cabinet)				Door Opening ⁽¹⁾		
	Surface	Flush	in.	mm	Surface		Gauge	Flush	Gauge	Height D		Width E	
										in.	mm	in.	mm
4	884 TCS	884 TCF	8.00 x 8.00 x 4.00	203 x 203 x 102	16	88 TCS	16	88 TCF	14	5	127	5	127
	10104 TCS	10104 TCF	10.00 x 10.00 x 4.00	254 x 254 x 102	16	1010 TCS	16	1010 TCF	14	6	152	6	152
	1284 TCS	1284 TCF	12.00 x 8.00 x 4.00	305 x 203 x 102	16	128 TCS	16	128 TCF	14	8	203	5	127
	12104 TCS	12104 TCF	12.00 x 10.00 x 4.00	305 x 254 x 102	16	1210 TCS	16	1210 TCF	14	8	203	6	152
	12124 TCS	12124 TCF	12.00 x 12.00 x 4.00	305 x 305 x 102	16	1212 TCS	16	1212 TCF	14	8	203	8	203
	16124 TCS	16124 TCF	16.00 x 12.00 x 4.00	406 x 305 x 102	16	1612 TCS	16	1612 TCF	14	12	305	8	203
	18124 TCS	18124 TCF	18.00 x 12.00 x 4.00	457 x 305 x 102	16	1812 TCS	16	1812 TCF	14	14	356	8	203
	18154 TCS	18154 TCF	18.00 x 15.00 x 4.00	457 x 381 x 102	16	1815 TCS	16	1815 TCF	14	14	356	11	279
	18184 TCS	18184 TCF	18.00 x 18.00 x 4.00	457 x 457 x 102	16	1818 TCS	16	1818 TCF	12	14	356	14	356
	24124 TCS	24124 TCF	24.00 x 12.00 x 4.00	610 x 305 x 102	16	2412 TCS	16	2412 TCF	12	19	483	8	203
	24184 TCS	24184 TCF	24.00 x 18.00 x 4.00	610 x 457 x 102	16	2418 TCS	14	2418 TCF	12	19	483	14	356
	24244 TCS	24244 TCF	24.00 x 24.00 x 4.00	610 x 610 x 102	14	2424 TCS	14	2424 TCF	12	19	483	19	483
	30154 TCS	30154 TCF	30.00 x 15.00 x 4.00	762 x 381 x 102	16	3015 TCS	14	3015 TCF	12	25	635	11	279
	30184 TCS	30184 TCF	30.00 x 18.00 x 4.00	762 x 457 x 102	16	3018 TCS	14	3018 TCF	12	25	635	14	356
	30244 TCS	30244 TCF	30.00 x 24.00 x 4.00	762 x 610 x 102	14	3024 TCS	14	3024 TCF	12	25	635	19	483
	30304 TCS NK	30304 TCF NK	30.00 x 30.00 x 4.00	762 x 762 x 102	12	3030 TCS	12	3030 TCF	12	25	635	25	635
	36244 TCS	36244 TCF	36.00 x 24.00 x 4.00	914 x 610 x 102	14	3624 TCS	14	3624 TCF	12	31	787	19	483
	36304 TCS NK	36304 TCF NK	36.00 x 30.00 x 4.00	914 x 762 x 102	12	3630 TCS	12	3630 TCF	12	31	787	25	635
	36364 TCS NK	36364 TCF NK	36.00 x 36.00 x 4.00	914 x 914 x 102	12	3636 TCS	12	3636 TCF	12	31	787	31	787
	48244 TCS	48244 TCF	48.00 x 24.00 x 4.00	1219 x 610 x 102	14	4824 TCS	12	4824 TCF	12	43	1092	19	483
48364 TCS NK	48364 TCF NK	48.00 x 36.00 x 4.00	1219 x 914 x 102	12	4836 TCS	10	4836 TCF	10	43	1092	31	787	
48484 TCS NK	48484 TCF NK	48.00 x 48.00 x 4.00	1219 x 1219 x 102	12	4848 TCS	10	4848 TCF	10	43	1092	43	1092	
6	10106 TCS	10106 TCF	10.00 x 10.00 x 6.00	254 x 254 x 152	16	1010 TCS	16	1010 TCF	14	6	152	6	152
	1286 TCS	1286 TCF	12.00 x 8.00 x 6.00	305 x 203 x 152	16	128 TCS	16	128 TCF	14	8	203	5	127
	12106 TCS	12106 TCF	12.00 x 10.00 x 6.00	305 x 254 x 152	16	1210 TCS	16	1210 TCF	14	8	203	6	152
	12126 TCS	12126 TCF	12.00 x 12.00 x 6.00	305 x 305 x 152	16	1212 TCS	16	1212 TCF	14	8	203	8	203
	16126 TCS	16126 TCF	16.00 x 12.00 x 6.00	406 x 305 x 152	16	1612 TCS	16	1612 TCF	14	12	305	8	203
	18126 TCS	18126 TCF	18.00 x 12.00 x 6.00	457 x 305 x 152	16	1812 TCS	16	1812 TCF	14	14	356	8	203
	18156 TCS	18156 TCF	18.00 x 15.00 x 6.00	457 x 381 x 152	16	1815 TCS	16	1815 TCF	14	14	356	11	279
	18186 TCS	18186 TCF	18.00 x 18.00 x 6.00	457 x 457 x 152	16	1818 TCS	16	1818 TCF	12	14	356	14	356
	24126 TCS	24126 TCF	24.00 x 12.00 x 6.00	610 x 305 x 152	16	2412 TCS	16	2412 TCF	12	19	483	8	203
	24186 TCS	24186 TCF	24.00 x 18.00 x 6.00	610 x 457 x 152	16	2418 TCS	14	2418 TCF	12	19	483	14	356
	24246 TCS	24246 TCF	24.00 x 24.00 x 6.00	610 x 610 x 152	14	2424 TCS	14	2424 TCF	12	19	483	19	483
	30156 TCS	30156 TCF	30.00 x 15.00 x 6.00	762 x 381 x 152	16	3015 TCS	14	3015 TCF	12	25	635	11	279
	30186 TCS	30186 TCF	30.00 x 18.00 x 6.00	762 x 457 x 152	16	3018 TCS	14	3018 TCF	12	25	635	14	356
	30246 TCS	30246 TCF	30.00 x 24.00 x 6.00	762 x 610 x 152	14	3024 TCS	14	3024 TCF	12	25	635	19	483
	30306 TCS NK	30306 TCF NK	30.00 x 30.00 x 6.00	762 x 762 x 152	12	3030 TCS	12	3030 TCF	12	25	635	25	635
	36246 TCS	36246 TCF	36.00 x 24.00 x 6.00	914 x 610 x 152	14	3624 TCS	14	3624 TCF	12	31	787	19	483
	36306 TCS NK	36306 TCF NK	36.00 x 30.00 x 6.00	914 x 762 x 152	12	3630 TCS	12	3630 TCF	12	31	787	25	635
	36366 TCS NK	36366 TCF NK	36.00 x 36.00 x 6.00	914 x 914 x 152	12	3636 TCS	12	3636 TCF	12	31	787	31	787
	48246 TCS	48246 TCF	48.00 x 24.00 x 6.00	1219 x 610 x 152	14	4824 TCS	12	4824 TCF	12	43	1092	19	483
	48366 TCS NK	48366 TCF NK	48.00 x 36.00 x 6.00	1219 x 914 x 152	12	4836 TCS	10	4836 TCF	10	43	1092	31	787
48486 TCS NK	48486 TCF NK	48.00 x 48.00 x 6.00	1219 x 1219 x 152	12	4848 TCS	10	4848 TCF	10	43	1092	43	1092	

(1) Door opening is approximate.

Notes: Dimensions are in inches. Millimeters shown are for reference only. Data subject to change without notice.

Utility Cabinets Type 3R Telephone Cabinets Data Sheet and Catalog Number



Application

- Used as telephone and communication cable termination and spare fuse cabinets
- Protects against falling rain, sleet and external ice formation

Standards

- UL 1863 listed, Type 3R
- Conforms to NEMA standard for Type 3R

Finish

- Wash and phosphate undercoat
- ANSI 61 gray acrylic electrocoat finish

Accessories

- Locks
- Terminal blocks
- Wood back boards, barriers and shelves
- Touch-up paint
- See Accessories section

Construction

- Cabinet and door are fabricated from code gauge galvaneal steel, (see table, page 81)
- Cabinet body has embossed mounting holes on the back
- Knockouts are standard on bottom end
- Door is secured to the body with heavy-duty butt hinges on one side and a T-handle lock with key on the opposite side

Discount Schedule: A2

Subclass: A00

Cabinet Catalog Number	Cabinet Size Height x Width x Depth A x B x C		Gauge	Knockout Pattern Bottom
	in.	mm		
664 RTC	6.00 x 6.00 x 4.00	152 x 152 x 102	18	(C D E)
884 RTC	8.00 x 8.00 x 4.00	203 x 203 x 102	18	(G H I J)
12124 RTC	12.00 x 12.00 x 4.00	305 x 305 x 102	18	(D E F G H)
12126 RTC	12.00 x 12.00 x 6.00	305 x 305 x 152	18	(D E F G H)
18126 RTC	18.00 x 12.00 x 6.00	457 x 305 x 152	18	(D E F G H)
18186 RTC	18.00 x 18.00 x 6.00	457 x 457 x 152	16	(B C D E F G H I J)
24126 RTC	24.00 x 12.00 x 6.00	610 x 305 x 152	18	(D E F G H)
24186 RTC	24.00 x 18.00 x 6.00	610 x 457 x 152	16	(B C D E F G H I J)
24246 RTC	24.00 x 24.00 x 6.00	610 x 610 x 152	14	(B C D E F G H I J)
30246 RTC	30.00 x 24.00 x 6.00	762 x 610 x 152	14	(B C D E F G H I J)
36246 RTC	36.00 x 24.00 x 6.00	914 x 610 x 152	14	(B C D E F G H I J)
12128 RTC	12.00 x 12.00 x 8.00	305 x 305 x 203	18	(D E F G H)
18188 RTC	18.00 x 18.00 x 8.00	457 x 457 x 203	16	(B C D E F G H I J)
24248 RTC	24.00 x 24.00 x 8.00	610 x 610 x 203	14	(B C D E F G H I J)

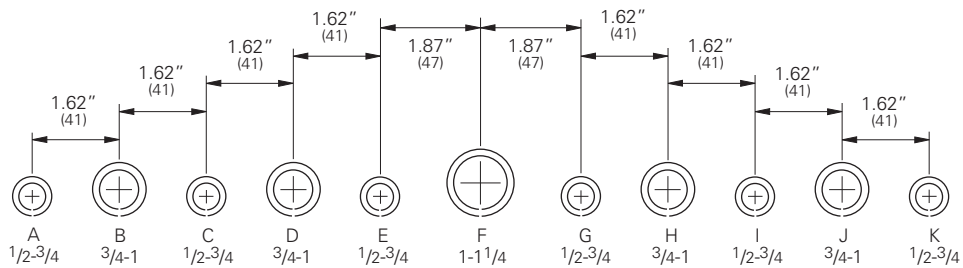
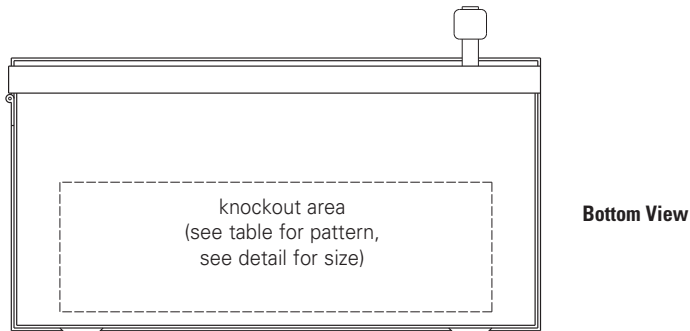
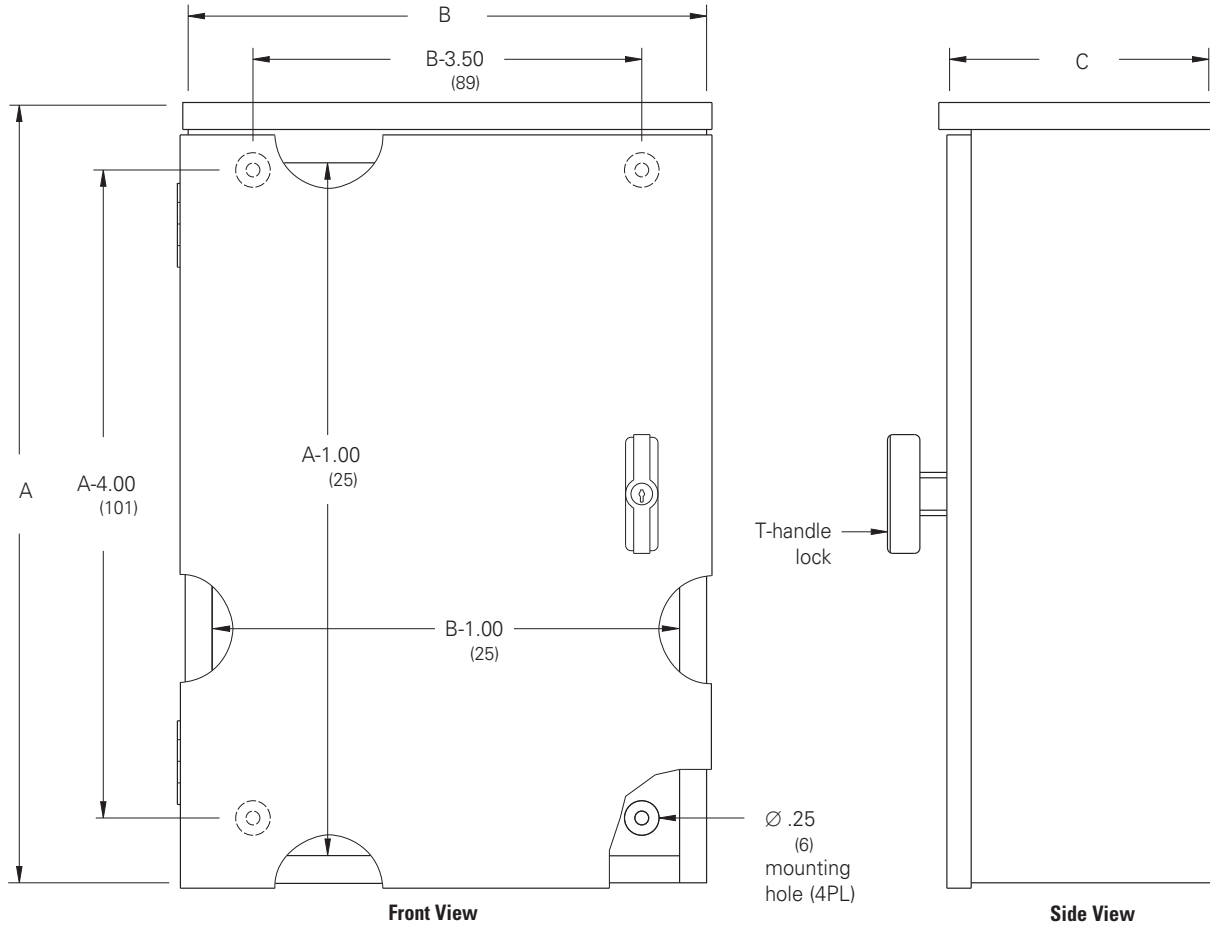
See page 82 for dimensional drawings

Notes: We can provide special sizes, finishes and other modifications. Consult the factory for your special requirements.
Dimensions are in inches. Millimeters shown are for reference only. Data subject to change without notice.

Type 1, 3, & 3R Enclosures

Utility Cabinets Type 3R Telephone Cabinets Illustration Sheet

Type 1, 3, & 3R Enclosures



Conduit Sizes

Knockout Detail

Note: See table for applicable knockout pattern.

Notes: Dimensions are in inches. Millimeters shown are for reference only. Data subject to change without notice.

Utility Cabinets Type 3R Screw Cover Current Transformer Cabinets Data Sheet



Application

- Designed to house current transformers
- Used as wiring boxes, junction and pull boxes
- Protects against falling rain, sleet and external ice formation

Standards

- UL 414 listed, Type 3R
- Conforms to NEMA standard for Type 3R

Finish

- Wash and phosphate undercoat
- ANSI 61 gray acrylic electrocoat finish

Accessories

- Touch-up paint
- See Accessories section

Construction

- Enclosure and cover are fabricated from code gauge galvaneal steel, (see table, page 84)
- Enclosure body has mounting holes on the back
- .250-20 mounting studs are furnished on the enclosure body of most sizes for utility current transformer mounting equipment, (see drawing, page 85)
- Cover is held secure by sliding it under the top end flange and fastening it to the bottom end and side flanges
- Cover mounting studs and wing nuts have a utility sealing hole provision as well as a padlocking provision for sealing the cover to the enclosure
- Enclosures 36 inches wide x 42 inches high and larger have two overlapping covers
- Fixed cover handles
- A ground lug is mounted on the inside bottom end of each cabinet

Discount Schedule: B9

Subclass: AV0

Notes: We can provide special sizes, finishes and other modifications. Consult the factory for your special requirements.

Type 1, 3, & 3R Enclosures

Utility Cabinets Type 3R Screw Cover Current Transformer Cabinets Catalog Number

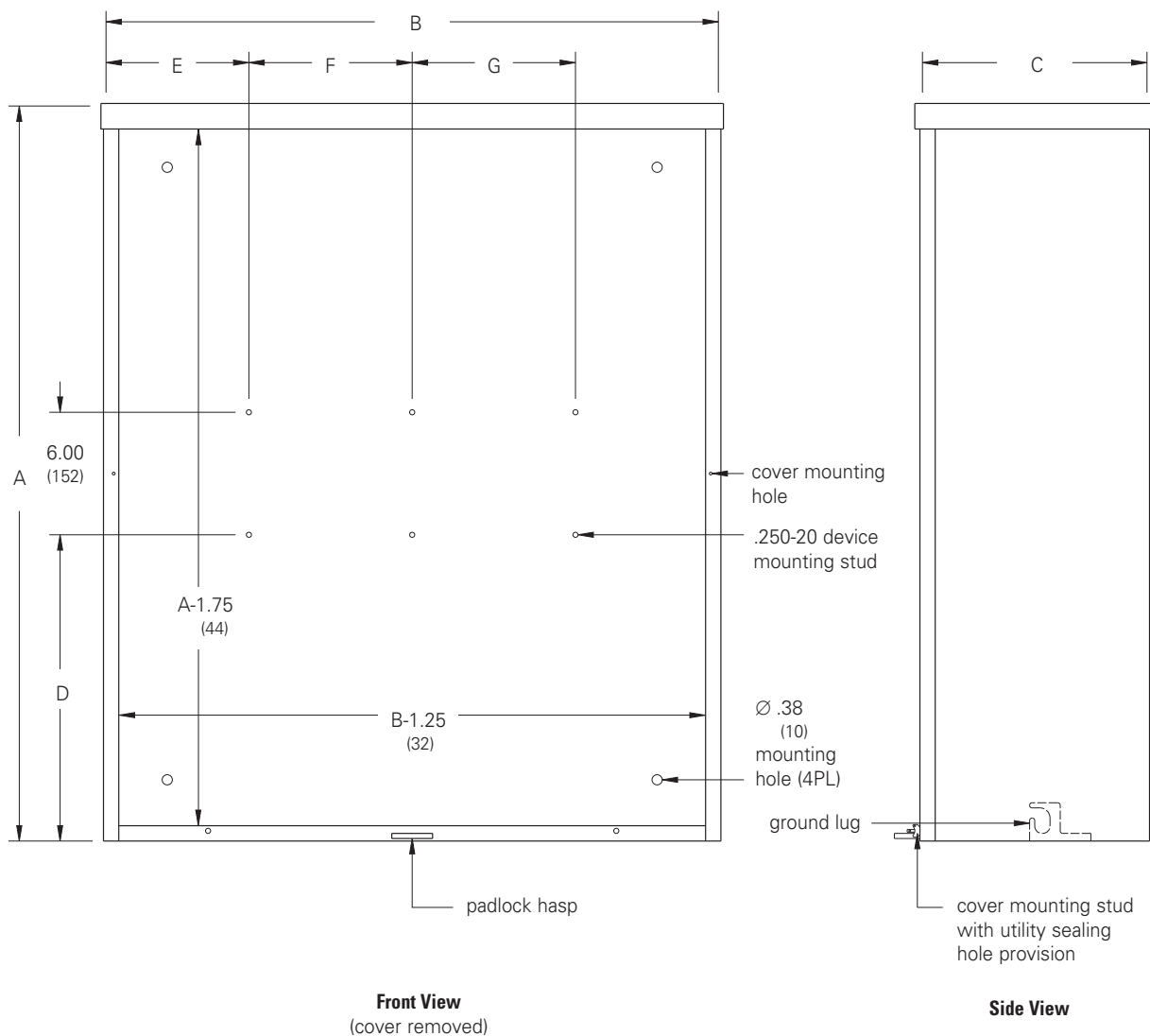
Enclosure Catalog Number	Enclosure Size Height x Width x Depth		Gauge	D		E		F		G	
	in.	A x B x C mm		in.	mm	in.	mm	in.	mm	in.	mm
18249 RTCT	24.00	18.00 x 9.00 610 x 457 x 229	16	-	-	-	-	-	-	-	-
24329 RTCT	32.00	24.00 x 9.00 813 x 610 x 229	14	-	-	-	-	-	-	-	-
242411 RTCT	24.00	24.00 x 11.00 610 x 610 x 279	14	9.00	229	8.00	203	8.00	203	-	-
243011 RTCT	30.00	24.00 x 11.00 762 x 610 x 279	14	12.00	305	8.00	203	8.00	203	-	-
243611 RTCT	36.00	24.00 x 11.00 914 x 610 x 279	14	15.00	381	8.00	203	8.00	203	-	-
244811 RTCT	48.00	24.00 x 11.00 1219 x 610 x 279	14	21.00	533	8.00	203	8.00	203	-	-
303011 RTCT	30.00	30.00 x 11.00 762 x 762 x 279	12	12.00	305	7.00	178	8.00	203	8.00	203
303611 RTCT	36.00	30.00 x 11.00 914 x 762 x 279	12	15.00	381	7.00	178	8.00	203	8.00	203
363611 RTCT	36.00	36.00 x 11.00 914 x 914 x 279	12	15.00	381	10.00	254	8.00	203	8.00	203
364211 RTCT	42.00	36.00 x 11.00 1067 x 914 x 279	12	18.00	457	10.00	254	8.00	203	8.00	203
364811 RTCT	48.00	36.00 x 11.00 1219 x 914 x 279	12	21.00	533	10.00	254	8.00	203	8.00	203
424211 RTCT	42.00	42.00 x 11.00 1067 x 1067 x 279	12	18.00	457	13.00	330	8.00	203	8.00	203
* 484811 RTCT	48.00	48.00 x 11.00 1219 x 1219 x 279	12	-	-	-	-	-	-	-	-
303614 RTCT	36.00	30.00 x 14.00 914 x 762 x 356	12	15.00	381	7.00	178	8.00	203	8.00	203
364814 RTCT	48.00	36.00 x 14.00 1219 x 914 x 356	12	21.00	533	10.00	254	8.00	203	8.00	203

Consult the local Utility for area acceptance.

* Mounting studs not included.

See page 85 for dimensional drawings

Utility Cabinets Type 3R Screw Cover Current Transformer Cabinets Illustration Sheet



Type 1, 3, & 3R Enclosures

Notes: Dimensions are in inches. Millimeters shown are for reference only. Data subject to change without notice.

Type 1, 3, & 3R Enclosures

Utility Cabinets Type 3R Hinge Cover Current Transformer Cabinets Data Sheet

Type 1, 3, & 3R Enclosures



Application

- Designed to house current transformers
- Used as wiring boxes, junction and pull boxes
- Protects against falling rain, sleet and external ice formation

Standards

- UL 414 listed, Type 3R
- Conforms to NEMA standard for Type 3R

Finish

- Wash and phosphate undercoat
- ANSI 61 gray acrylic electrocoat finish

Accessories

- Touch-up paint
- See Accessories section

Construction

- Enclosure and cover are fabricated from code gauge galvaneal steel, (see table, page 87)
- Enclosure body has mounting holes on the back
- .250-20 mounting studs are furnished on the enclosure body of most sizes for utility current transformer mounting equipment, (see drawing, page 87)
- Covers are secured to the body with a heavy-duty slip-hinge on the left side and mounting studs and wing nuts with utility sealing hole provisions on the opposite side
- Covers are completely removable when in the open position
- Fixed door handles
- A ground lug is mounted on the inside bottom end of each cabinet

Discount Schedule: B9

Subclass: AV0

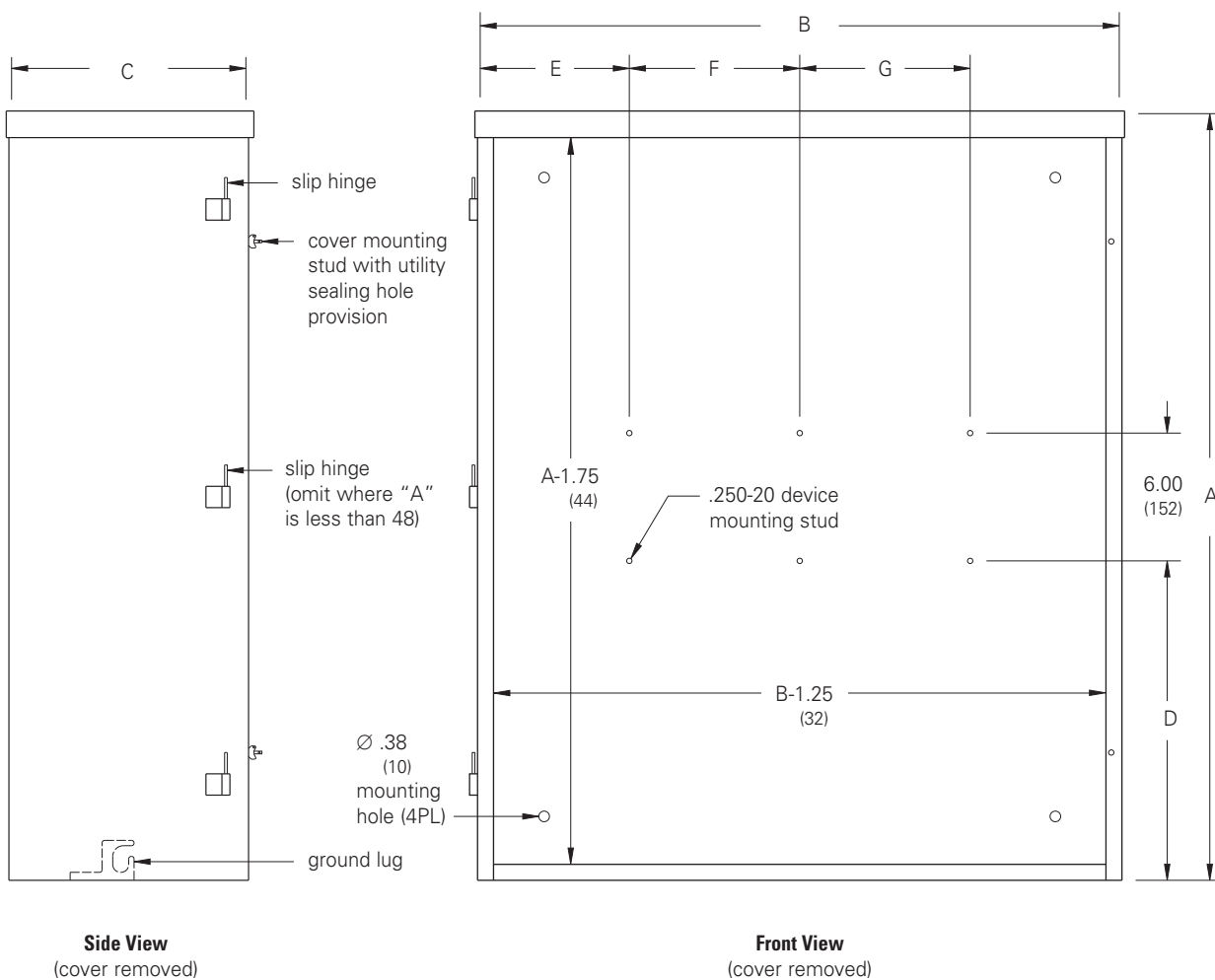
Notes: We can provide special sizes, finishes and other modifications. Consult the factory for your special requirements.

Utility Cabinets Type 3R Hinge Cover Current Transformer Cabinets Illustration Sheet and Catalog Number

Enclosure Catalog Number	Enclosure Size Height x Width x Depth A x B x C		Gauge	D		E		F		G	
	in.	mm		in.	mm	in.	mm	in.	mm	in.	mm
203611 HRTCT	36.00	914	14	-	-	-	-	-	-	-	-
243011 HRTCT	30.00	762	14	12.00	305	8.00	203	8.00	203	-	-
244811 HRTCT	48.00	1219	14	21.00	533	8.00	203	8.00	203	-	-
303611 HRTCT	36.00	914	12	15.00	381	7.00	178	8.00	203	8.00	203
304811 HRTCT	48.00	1219	12	21.00	533	7.00	178	8.00	203	8.00	203
363611 HRTCT	36.00	914	12	15.00	381	10.00	254	8.00	203	8.00	203
364811 HRTCT	48.00	1219	12	21.00	533	10.00	254	8.00	203	8.00	203

Consult the local Utility for area acceptance.

Type 1, 3, & 3R Enclosures



Notes: Dimensions are in inches. Millimeters shown are for reference only. Data subject to change without notice.

Type 12 / 13 Panel Enclosures



Type 12/13 Panel Encl.

JIC Enclosures Type 12 Lift-Off Cover	90-91
JIC Enclosures Type 12 Continuous Hinge Cover	92-93
JIC Enclosures Type 12 Screw Cover	94-95
JIC Enclosures Type 12 Continuous Hinge Screw Cover	96-97
JIC Enclosures Type 12 Continuous Hinge Quick-Release Cover	98-99
JIC Enclosures Type 12 Large Continuous Hinge Screw Cover	100-101
JIC Enclosures Type 12 Continuous Hinge Flanged Trough Cover	102-103
Wall-Mount Enclosures Type 12 Single-Door	104-107
Wall-Mount Enclosures Type 12 Terminal	108-109
Wall-Mount Enclosures Type 12 Double-Door 3-Point Locking	110-111
Ground-Mount Enclosures Type 12 Double-Door Floor-Standing 3-Point Locking	112-113
Ground-Mount Enclosures Type 12 Double-Door Free-Standing 3-Point Locking	114-116
Free-Standing Enclosure Accessories	117-125
Ground-Mount Enclosures Type 12 Modular Free-Standing 3-Point Locking	126-129
Ground-Mount Enclosures Type 12 Multi-Door Free-Standing 3-Point Locking	130-133

Type 12 / 13 Panel Enclosures

JIC Enclosures Type 12 Lift-Off Cover Data Sheet



Type 12/13 Panel Encl.

Application

- Houses electrical controls and instruments
- Protects against circulating dust, falling dirt and dripping non-corrosive liquids

Standards

- UL 508A listed, Type 12 and Type 13
- CSA C22.2 No.94 certified, Type 12 and Type 13
- Conforms to NEMA standard for Type 12 and Type 13

Finish

- Wash and phosphate undercoat
- ANSI 61 gray polyester powder finish
- Hardware and clamps are zinc plated

Accessories

- Panels
- JIC terminal strap kit
- JIC terminal strip kit
- Terminal blocks
- Touch-up paint
- #8-32 self tapping screw (10168)
- See Accessories section

Construction

- Enclosure and cover are fabricated from (16) gauge steel
- All continuous welded seams are finished smooth
- Cover is secured to the body with semi-hinge(s) on one side and easy-to-operate screw clamps mounted to the opposite side
- Chain holds cover to body when screw clamps are released
- Cover has a seamless poured in-place gasket
- Ground stud provided on cover
- #10-32 weldnuts are provided for mounting optional panel on 6" x 4" and larger enclosures
- External mounting feet are provided for secure wall mounting

Discount Schedule: C2

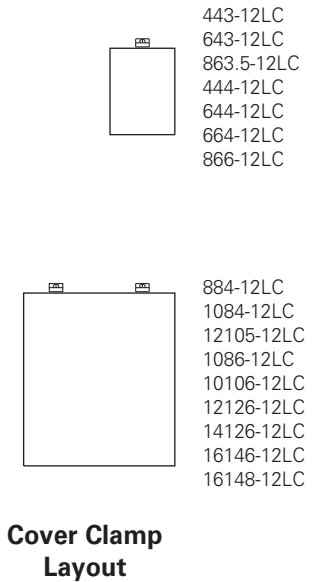
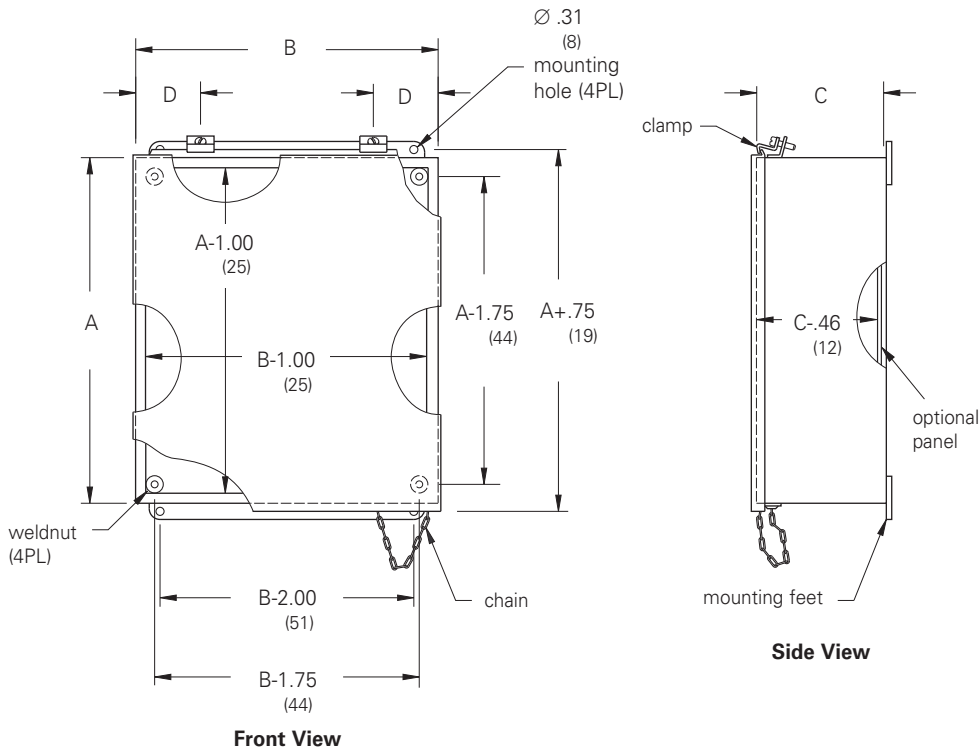
Subclass: DE1

Notes: We can provide special sizes, finishes and other modifications. Consult the factory for your special requirements.

JIC Enclosures Type 12 Lift-Off Cover Illustration Sheet and Catalog Number

Enclosure Catalog Number	Enclosure Size Height x Width x Depth A x B x C		D		Panel Catalog Number		Panel Size Height x Width	
	in.	mm	in.	mm	Solid	Perforated	in.	mm
443-12LC	4.00 x 4.00 x 3.00	102 x 102 x 76	2.00	51	--	--	--	--
643-12LC	6.00 x 4.00 x 3.00	152 x 102 x 76	2.00	51	AW64P	AW64PP	4.87 x 2.87	124 x 73
863.5-12LC	8.00 x 6.00 x 3.50	203 x 152 x 89	3.00	76	AW86P	AW86PP	6.87 x 4.87	174 x 124
444-12LC	4.00 x 4.00 x 4.00	102 x 102 x 102	2.00	51	--	--	--	--
644-12LC	6.00 x 4.00 x 4.00	152 x 102 x 102	2.00	51	AW64P	AW64PP	4.87 x 2.87	124 x 73
664-12LC	6.00 x 6.00 x 4.00	152 x 152 x 102	3.00	76	AW66P	AW66PP	4.87 x 4.87	124 x 124
884-12LC	8.00 x 8.00 x 4.00	203 x 203 x 102	2.00	51	AW88P	AW88PP	6.87 x 6.87	174 x 174
1084-12LC	10.00 x 8.00 x 4.00	254 x 203 x 102	2.00	51	AW108P	AW108PP	8.87 x 6.87	225 x 174
12105-12LC	12.00 x 10.00 x 5.00	305 x 254 x 127	2.00	51	AW1210P	AW1210PP	10.87 x 8.87	276 x 225
14126-12LC	14.00 x 12.00 x 6.00	356 x 305 x 152	3.00	76	AW1412P	AW1412PP	12.87 x 10.87	327 x 276
16146-12LC	16.00 x 14.00 x 6.00	406 x 356 x 152	3.00	76	AW1614P	AW1614PP	14.87 x 12.87	378 x 327

Type 12/13 Panel Encl.



Notes: Dimensions are in inches. Millimeters shown are for reference only. Data subject to change without notice.

Type 12 / 13 Panel Enclosures

JIC Enclosures Type 12 Continuous Hinge Cover Data Sheet



Type 12/13 Panel Encl.

Application

- Houses electrical controls and instruments
- Protects against circulating dust, falling dirt and dripping non-corrosive liquids

Standards

- UL 508A listed, Type 12 and Type 13
- CSA C22.2 No.94 certified, Type 12 and Type 13
- Conforms to NEMA standard for Type 12 and Type 13

Finish

- Wash and phosphate undercoat
- ANSI 61 gray polyester powder finish
- Hardware and clamps are zinc plated

Accessories

- Panels
- JIC terminal strap kit
- JIC terminal strip kit
- Terminal blocks
- Touch-up paint
- #8-32 self tapping screw (10168)
- See Accessories section

Construction

- Enclosure and cover are fabricated from (16) gauge steel
- All continuous welded seams are finished smooth
- Cover is secured to the body with a continuous hinge on one side and easy-to-operate screw clamps mounted to the opposite side
- Cover has a seamless poured in-place gasket
- Ground stud provided on cover
- #10-32 weldnuts are provided for mounting optional panel on 6" x 4" and larger enclosures
- External mounting feet are provided for secure wall mounting

Discount Schedule: C2

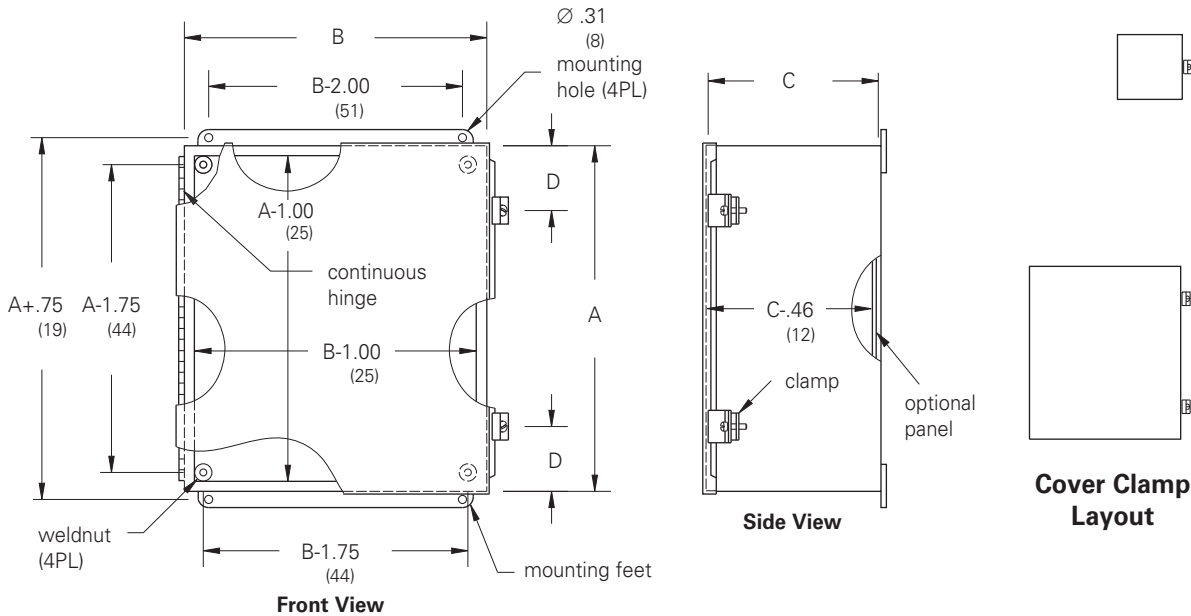
Subclass: DE0

Notes: We can provide special sizes, finishes and other modifications. Consult the factory for your special requirements.

JIC Enclosures Type 12 Continuous Hinge Cover Illustration Sheet and Catalog Number

Enclosure Catalog Number	Enclosure Size Height x Width x Depth A x B x C		D		Panel Catalog Number		Panel Size Height x Width	
	in.	mm	in.	mm	Solid	Perforated	in.	mm
443-12CHC	4.00 x 4.00 x 3.00	102 x 102 x 76	2.00	51	--	--	--	--
643-12CHC	6.00 x 4.00 x 3.00	152 x 102 x 76	3.00	76	AW64P	AW64PP	4.87 x 2.87	124 x 73
863.5-12CHC	8.00 x 6.00 x 3.50	203 x 152 x 89	4.00	102	AW86P	AW86PP	6.87 x 4.87	174 x 124
444-12CHC	4.00 x 4.00 x 4.00	102 x 102 x 102	2.00	51	--	--	--	--
644-12CHC	6.00 x 4.00 x 4.00	152 x 102 x 102	3.00	76	AW64P	AW64PP	4.87 x 2.87	124 x 76
664-12CHC	6.00 x 6.00 x 4.00	152 x 152 x 102	3.00	76	AW66P	AW66PP	4.87 x 4.87	124 x 124
884-12CHC	8.00 x 8.00 x 4.00	203 x 203 x 102	4.00	102	AW88P	AW88PP	6.87 x 6.87	174 x 174
1084-12CHC	10.00 x 8.00 x 4.00	254 x 203 x 102	2.00	51	AW108P	AW108PP	8.87 x 6.87	225 x 174
1084-12CHCS	10.00 x 8.00 x 4.00	254 x 203 x 102	2.00	51	AW108P	AW108PP	8.87 x 6.87	225 x 174
1264-12CHC	12.00 x 6.00 x 4.00	305 x 152 x 102	3.00	76	AW126P	AW126PP	10.87 x 4.87	272 x 124
12105-12CHC	12.00 x 10.00 x 5.00	305 x 254 x 127	3.00	76	AW1210P	AW1210PP	10.87 x 8.87	272 x 225
12105-12CHCS	12.00 x 10.00 x 5.00	305 x 254 x 127	3.00	76	AW1210P	AW1210PP	10.87 x 8.87	272 x 225
866-12CHC	8.00 x 6.00 x 6.00	203 x 152 x 152	4.00	102	AW86P	AW86PP	6.87 x 4.87	174 x 124
886-12CHC	8.00 x 8.00 x 6.00	203 x 203 x 152	4.00	102	AW88P	AW88PP	6.87 x 6.87	174 x 174
1086-12CHC	10.00 x 8.00 x 6.00	254 x 203 x 152	2.00	51	AW108P	AW108PP	8.87 x 6.87	225 x 174
10106-12CHC	10.00 x 10.00 x 6.00	254 x 254 x 152	2.00	51	AW1010P	AW1010PP	8.87 x 8.87	225 x 225
12106-12CHC	12.00 x 10.00 x 6.00	305 x 254 x 152	3.00	76	AW1210P	AW1210PP	10.87 x 8.87	272 x 225
12126-12CHC	12.00 x 12.00 x 6.00	305 x 305 x 152	3.00	76	AW1212P	AW1212PP	10.87 x 10.87	272 x 272
1486-12CHC	14.00 x 8.00 x 6.00	356 x 203 x 152	3.00	76	AW148P	AW148PP	12.87 x 6.87	327 x 174
14126-12CHC	14.00 x 12.00 x 6.00	356 x 305 x 152	3.00	76	AW1412P	AW1412PP	12.87 x 10.87	327 x 272
14126-12CHCS	14.00 x 12.00 x 6.00	356 x 305 x 152	3.00	76	AW1412P	AW1412PP	12.87 x 10.87	327 x 272
16106-12CHC	16.00 x 10.00 x 6.00	406 x 254 x 152	3.00	76	AW1610P	AW1610PP	14.87 x 8.87	378 x 225
16146-12CHC	16.00 x 14.00 x 6.00	406 x 356 x 152	3.00	76	AW1614P	AW1614PP	14.87 x 12.87	378 x 327
16146-12CHCS	16.00 x 14.00 x 6.00	406 x 356 x 152	3.00	76	AW1614P	AW1614PP	14.87 x 12.87	378 x 327
10108-12CHC	10.00 x 10.00 x 8.00	254 x 254 x 203	2.00	51	AW1010P	AW1010PP	8.87 x 8.87	225 x 225
12108-12CHC	12.00 x 10.00 x 8.00	305 x 254 x 203	3.00	76	AW1210P	AW1210PP	10.87 x 8.87	272 x 225
14128-12CHC	14.00 x 12.00 x 8.00	356 x 305 x 203	3.00	76	AW1412P	AW1412PP	12.87 x 10.87	327 x 272
16148-12CHC	16.00 x 14.00 x 8.00	406 x 356 x 203	3.00	76	AW1614P	AW1614PP	14.87 x 12.87	378 x 327
161410-12CHC	16.00 x 14.00 x 10.00	406 x 356 x 254	3.00	76	AW1614P	AW1614PP	14.87 x 12.87	378 x 327

Note: Catalog numbers ending in -12 CHCS are hinged on the short side.



443-12CHC
643-12CHC
444-12CHC
644-12CHC
664-12CHC
863.5-12CHC
884-12CHC
866-12CHC
886-12CHC

1084-12CHC
1264-12CHC
12105-12CHC
1086-12CHC
10106-12CHC
12106-12CHC
12126-12CHC
1486-12CHC
14126-12CHC
16106-12CHC
10108-12CHC
16146-12CHC
12108-12CHC
14128-12CHC
16148-12CHC
161410-12CHC

Notes: Dimensions are in inches. Millimeters shown are for reference only. Data subject to change without notice.

Type 12 / 13 Panel Enclosures

JIC Enclosures Type 12 Screw Cover Data Sheet

Type 12/13 Panel Encl.



Application

- Houses electrical controls and instruments
- Protects against circulating dust, falling dirt and dripping non-corrosive liquids

Standards

- UL 508A listed, Type 12 and Type 13
- CSA C22.2 No.94 certified, Type 12 and Type 13
- Conforms to NEMA standard for Type 12 and Type 13

Finish

- Wash and phosphate undercoat
- ANSI 61 gray polyester powder finish

Accessories

- Panels
- JIC terminal strap kit
- JIC terminal strip kit
- Terminal blocks
- Touch-up paint
- #8-32 self tapping screw (10168)
- See Accessories section

Construction

- Enclosure and cover are fabricated from (16) gauge steel
- All continuous welded seams are finished smooth
- Cover is attached with captive screws which thread into sealed well nuts
- Cover has a fixed, oil-resistant gasket
- Ground stud provided on cover
- #10-32 weldnuts are provided for mounting optional panel on 6" x 4" and larger enclosures
- External mounting feet are provided for secure wall mounting

Discount Schedule: C2

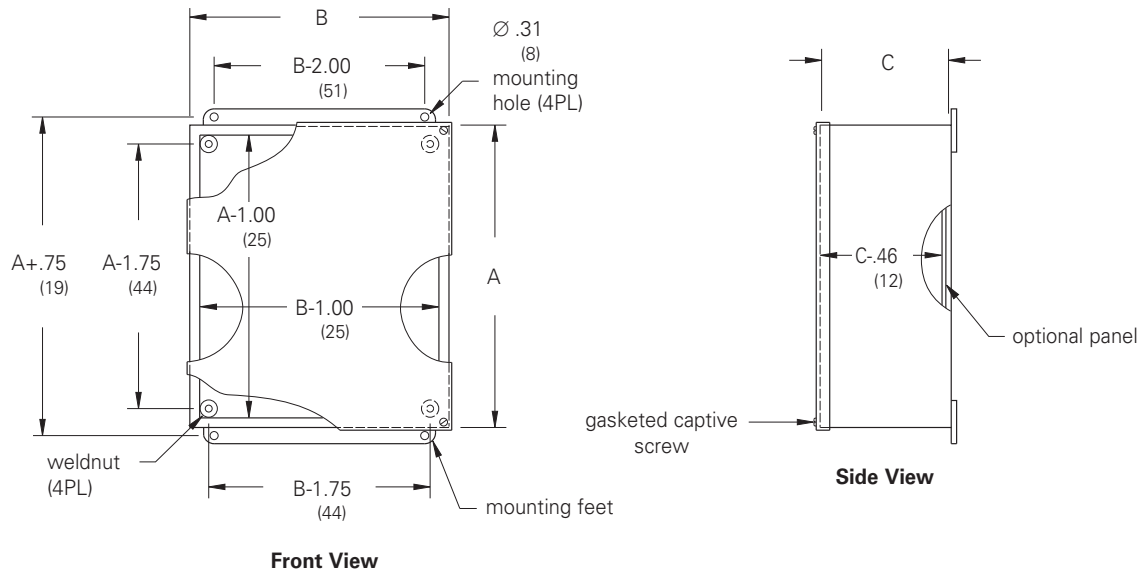
Subclass: DE0

Notes: We can provide special sizes, finishes and other modifications. Consult the factory for your special requirements.

JIC Enclosures Type 12 Screw Cover Illustration Sheet and Catalog Number

Enclosure Catalog Number	Enclosure Size Height x Width x Depth A x B x C		Panel Catalog Number		Panel Size Height x Width	
	in.	mm	Solid	Perforated	in.	mm
443-12SC	4.00 x 4.00 x 3.00	102 x 102 x 76	-	-	-	-
643-12SC	6.00 x 4.00 x 3.00	152 x 102 x 76	AW64P	AW64PP	4.87 x 2.87	124 x 73
863.5-12SC	8.00 x 6.00 x 3.50	203 x 152 x 89	AW86P	AW86PP	6.87 x 4.87	174 x 124
444-12SC	4.00 x 4.00 x 4.00	102 x 102 x 102	-	-	-	-
644-12SC	6.00 x 4.00 x 4.00	152 x 102 x 102	AW64P	AW64PP	4.87 x 2.87	124 x 73
664-12SC	6.00 x 6.00 x 4.00	152 x 152 x 102	AW66P	AW66PP	4.87 x 4.87	124 x 124
884-12SC	8.00 x 8.00 x 4.00	203 x 203 x 102	AW88P	AW88PP	6.87 x 6.87	174 x 174
1084-12SC	10.00 x 8.00 x 4.00	254 x 203 x 102	AW108P	AW108PP	8.87 x 6.87	225 x 174
10104-12SC	10.00 x 10.00 x 4.00	254 x 254 x 102	AW1010P	AW1010PP	8.87 x 8.87	225 x 225
12105-12SC	12.00 x 10.00 x 5.00	305 x 254 x 127	AW1210P	AW1210PP	10.87 x 8.87	272 x 225
866-12SC	8.00 x 6.00 x 6.00	203 x 152 x 152	AW86P	AW86PP	6.87 x 4.87	174 x 124
1086-12SC	10.00 x 8.00 x 6.00	254 x 203 x 152	AW108P	AW108PP	8.87 x 6.87	225 x 174
10106-12SC	10.00 x 10.00 x 6.00	254 x 254 x 152	AW1010P	AW1010PP	8.87 x 8.87	225 x 225
12126-12SC	12.00 x 12.00 x 6.00	305 x 305 x 152	AW1212P	AW1212PP	10.87 x 10.87	272 x 272
14126-12SC	14.00 x 12.00 x 6.00	356 x 305 x 152	AW1412P	AW1412PP	12.87 x 10.87	327 x 272
16146-12SC	16.00 x 14.00 x 6.00	406 x 356 x 152	AW1614P	AW1614PP	14.87 x 12.87	378 x 327

Type 12/13 Panel Encl.



Notes: Dimensions are in inches. Millimeters shown are for reference only. Data subject to change without notice.

Type 12 / 13 Panel Enclosures

JIC Enclosures Type 12 Continuous Hinge Screw Cover Data Sheet

Type 12/13 Panel Encl.



Application

- Houses electrical controls and instruments
- Protects against circulating dust, falling dirt and dripping non-corrosive liquids

Standards

- UL 508A listed, Type 12 and Type 13
- CSA C22.2 No.94 certified, Type 12 and Type 13
- Conforms to NEMA standard for Type 12 and Type 13

Finish

- Wash and phosphate undercoat
- ANSI 61 gray polyester powder finish

Accessories

- Panels
- JIC terminal strap kit
- JIC terminal strip kit
- Terminal blocks
- Touch-up paint
- #8-32 self tapping screw (10168)
- See Accessories section

Construction

- Enclosure and cover are fabricated from (16) gauge steel
- All continuous welded seams are finished smooth
- Cover is secured to the body with a continuous hinge on one side and captive screws which thread into sealed well nuts on the opposite side
- Cover has a fixed, oil-resistant gasket
- Ground stud provided on cover
- #10-32 weldnuts are provided for mounting optional panel
- External mounting feet are provided for secure wall mounting

Discount Schedule: C2

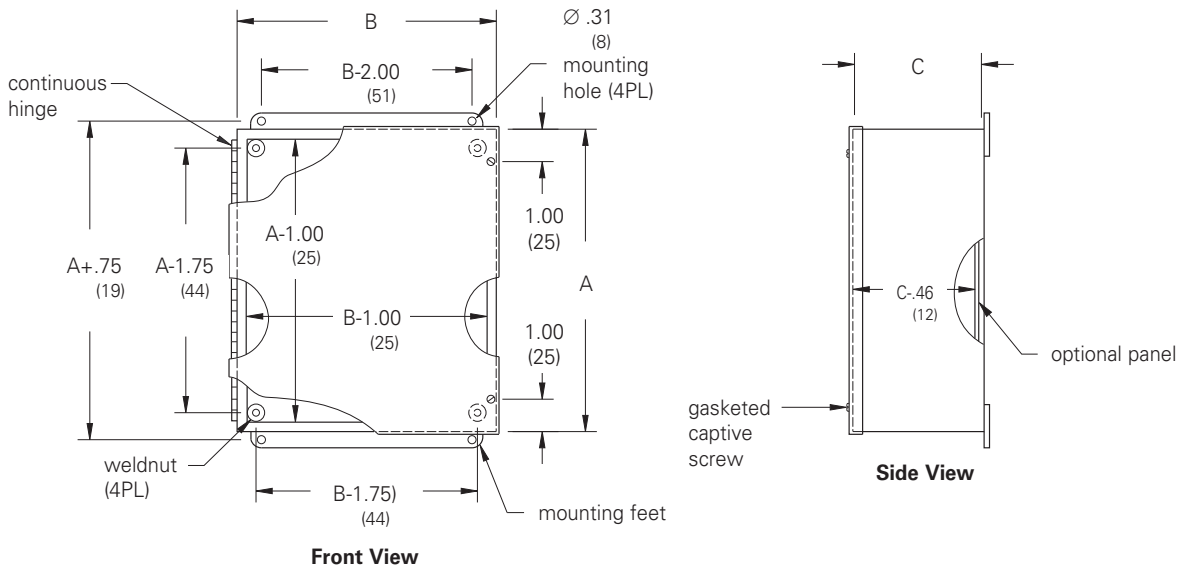
Subclass: DE1

Notes: We can provide special sizes, finishes and other modifications. Consult the factory for your special requirements.

JIC Enclosures Type 12 Continuous Hinge Screw Cover Illustration Sheet and Catalog Number

Enclosure Catalog Number	Enclosure Size Height x Width x Depth A x B x C		Panel Catalog Number		Panel Size Height x Width	
	in.	mm	Solid	Perforated	in.	mm
664-12CHSC	6.00 x 6.00 x 4.00	152 x 152 x 102	AW66P	AW66PP	4.87 x 4.87	124 x 124
864-12CHSC	8.00 x 6.00 x 4.00	203 x 152 x 102	AW86P	AW86PP	6.87 x 4.87	174 x 124
884-12CHSC	8.00 x 8.00 x 4.00	203 x 203 x 102	AW88P	AW88PP	6.87 x 6.87	174 x 174
1084-12CHSC	10.00 x 8.00 x 4.00	254 x 203 x 102	AW108P	AW108PP	8.87 x 6.87	225 x 174
10104-12CHSC	10.00 x 10.00 x 4.00	254 x 254 x 102	AW1010P	AW1010PP	8.87 x 8.87	225 x 225
12104-12CHSC	12.00 x 10.00 x 4.00	305 x 254 x 102	AW1210P	AW1210PP	10.87 x 8.87	272 x 225
866-12CHSC	8.00 x 6.00 x 6.00	203 x 152 x 152	AW86P	AW86PP	6.87 x 4.87	174 x 124
886-12CHSC	8.00 x 8.00 x 6.00	203 x 203 x 152	AW88P	AW88PP	6.87 x 6.87	174 x 174
1086-12CHSC	10.00 x 8.00 x 6.00	254 x 203 x 152	AW108P	AW108PP	8.87 x 6.87	225 x 174
10106-12CHSC	10.00 x 10.00 x 6.00	254 x 254 x 152	AW1010P	AW1010PP	8.87 x 8.87	225 x 225
12106-12CHSC	12.00 x 10.00 x 6.00	305 x 254 x 152	AW1210P	AW1210PP	10.87 x 8.87	272 x 225
12126-12CHSC	12.00 x 12.00 x 6.00	305 x 305 x 152	AW1212P	AW1212PP	10.87 x 10.87	272 x 272
14126-12CHSC	14.00 x 12.00 x 6.00	356 x 305 x 152	AW1412P	AW1412PP	12.87 x 10.87	327 x 272

Type 12/13 Panel Encl.



Notes: Dimensions are in inches. Millimeters shown are for reference only. Data subject to change without notice.

Type 12 / 13 Panel Enclosures

JIC Enclosures Type 12 Continuous Hinge Quick-Release Cover Data Sheet

Type 12/13 Panel Encl.



Application

- Houses electrical controls and instruments
- Protects against circulating dust, falling dirt and dripping non-corrosive liquids

Standards

- UL 508A listed, Type 12 and Type 13
- Conforms to NEMA standard for Type 12 and Type 13

Finish

- Wash and phosphate undercoat
- ANSI 61 gray polyester powder finish
- Latches are zinc plated

Accessories

- Panels
- JIC terminal strap kit
- JIC terminal strip kit
- Terminal blocks
- Touch-up paint
- #8-32 self tapping screw (10168)
- See Accessories section

Construction

- Enclosure and cover are fabricated from (16) gauge steel
- All continuous welded seams are finished smooth
- Cover is secured to the body with a continuous hinge on one side and quick-release latches mounted to the opposite side
- Cover has a seamless poured in-place gasket
- Ground stud provided on cover
- #10-32 weldnuts are provided for mounting optional panel
- External mounting feet are provided for secure wall mounting

Discount Schedule: C2

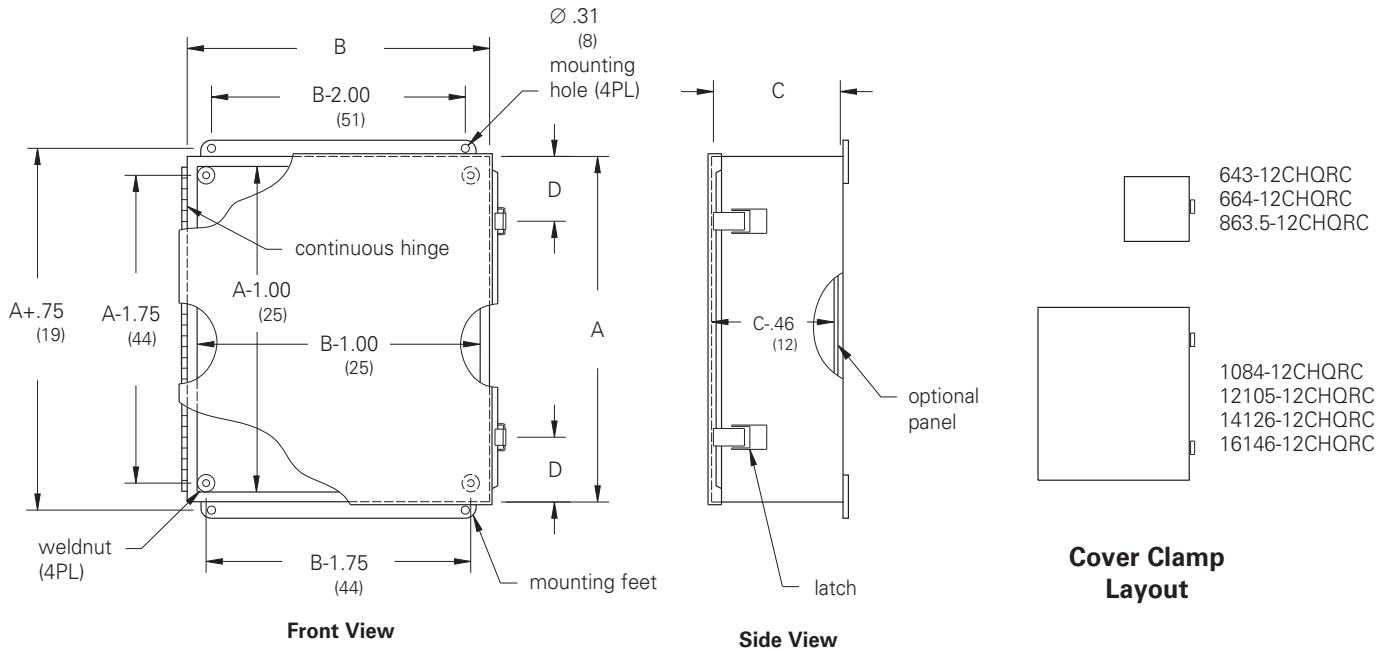
Subclass: DE1

Notes: We can provide special sizes, finishes and other modifications. Consult the factory for your special requirements.

JIC Enclosures Type 12 Continuous Hinge Quick-Release Cover Illustration Sheet and Catalog Number

Enclosure Catalog Number	Enclosure Size Height x Width x Depth A x B x C		D		Panel Catalog Number		Panel Size Height x Width	
	in.	mm	in.	mm	Solid	Perforated	in.	mm
643-12CHQRC	6.00 x 4.00 x 3.00	152 x 102 x 76	3.00	76	AW64P	AW64PP	4.87 x 2.87	124 x 73
863.5-12CHQRC	8.00 x 6.00 x 3.50	203 x 152 x 102	4.00	102	AW86P	AW86PP	6.87 x 4.87	174 x 124
664-12CHQRC	6.00 x 6.00 x 4.00	152 x 152 x 102	3.00	76	AW66P	AW66PP	4.87 x 4.87	124 x 124
1084-12CHQRC	10.00 x 8.00 x 4.00	254 x 203 x 102	2.00	51	AW108P	AW108PP	8.87 x 6.87	225 x 174
12105-12CHQRC	12.00 x 10.00 x 5.00	305 x 254 x 127	3.00	76	AW1210P	AW1210PP	10.87 x 8.87	272 x 225
14126-12CHQRC	14.00 x 12.00 x 6.00	356 x 305 x 152	3.00	76	AW1412P	AW1412PP	12.87 x 10.87	327 x 272
16146-12CHQRC	16.00 x 14.00 x 6.00	406 x 356 x 152	3.00	76	AW1614P	AW1614PP	14.87 x 12.87	378 x 327

Type 12/13 Panel Encl.



Notes: Dimensions are in inches. Millimeters shown are for reference only. Data subject to change without notice.

Type 12 / 13 Panel Enclosures

JIC Enclosures Type 12 Large Continuous Hinge Screw Cover Data Sheet



Type 12/13 Panel Encl.

Application

- Houses electrical controls and instruments
- Protects against circulating dust, falling dirt and dripping non-corrosive liquids

Standards

- UL 508A listed, Type 12 and Type 13
- CSA C22.2 No.94 certified, Type 12 and Type 13
- Conforms to NEMA standard for Type 12 and Type 13

Finish

- Wash and phosphate undercoat
- ANSI 61 gray polyester powder finish
- Panels have a white enamel finish

Accessories

- NEMA terminal strap kit
- Terminal blocks
- Touch-up paint
- See Accessories section

Construction

- Enclosure and door are fabricated from (14) gauge steel
- All continuous welded seams are finished smooth
- Door is secured to the body with a continuous hinge on one side and captive hex head screws which thread into sealed well nuts on the opposite side
- Each door has a print pocket
- Door has a fixed, oil-resistant gasket
- Ground stud provided on door
- Heavy gauge panel mounted to .375-16 collar studs is provided with enclosure
- External mounting feet are provided for secure wall mounting

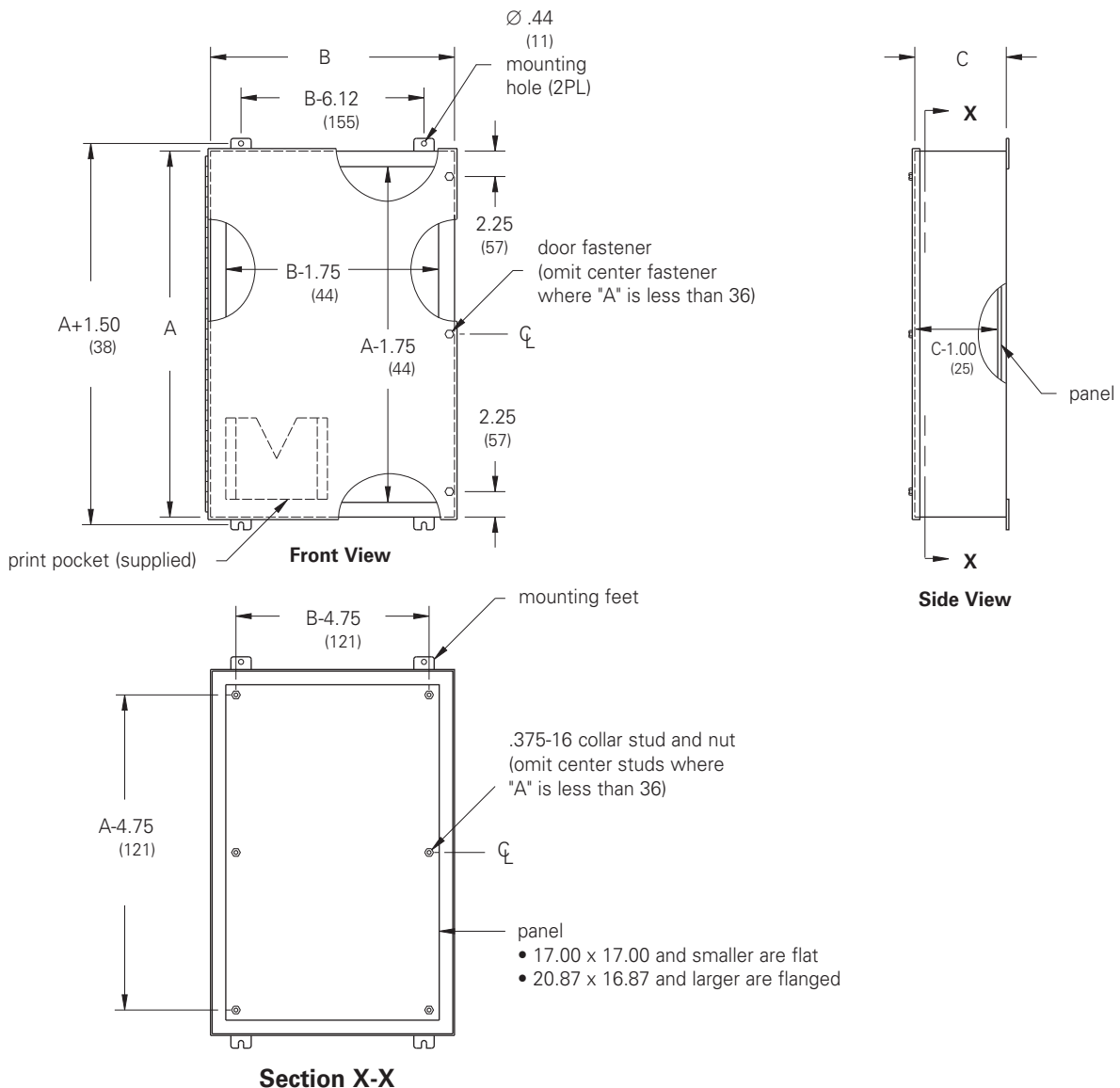
Discount Schedule: C2

Subclass: DH0

Notes: We can provide special sizes, finishes and other modifications. Consult the factory for your special requirements.

JIC Enclosures Type 12 Large Continuous Hinge Screw Cover Illustration Sheet and Catalog Number

Enclosure Catalog Number	Enclosure Size Height x Width x Depth A x B x C		Panel Size Height x Width	
	in.	mm	in.	mm
20167-12CHSC	20.00 x 16.00 x 7.00	508 x 406 x 178	17.00 x 13.00	432 x 330
20207-12CHSC	20.00 x 20.00 x 7.00	508 x 508 x 178	17.00 x 17.00	432 x 432
24207-12CHSC	24.00 x 20.00 x 7.00	610 x 508 x 178	20.87 x 16.87	530 x 428
30207-12CHSC	30.00 x 20.00 x 7.00	762 x 508 x 178	26.87 x 16.87	682 x 428
30247-12CHSC	30.00 x 24.00 x 7.00	762 x 610 x 178	26.87 x 20.87	682 x 530
36247-12CHSC	36.00 x 24.00 x 7.00	914 x 610 x 178	32.87 x 20.87	835 x 530
24209-12CHSC	24.00 x 20.00 x 9.00	610 x 508 x 229	20.87 x 16.87	530 x 428
30209-12CHSC	30.00 x 20.00 x 9.00	762 x 508 x 229	26.87 x 16.87	682 x 428
30249-12CHSC	30.00 x 24.00 x 9.00	762 x 610 x 229	26.87 x 20.87	682 x 530
36249-12CHSC	36.00 x 24.00 x 9.00	914 x 610 x 229	32.87 x 20.87	835 x 530



Type 12/13 Panel Encl.

Notes: Dimensions are in inches. Millimeters shown are for reference only. Data subject to change without notice.

Type 12 / 13 Panel Enclosures

JIC Enclosures

Type 12 Continuous Hinge Flanged Trough Cover

Data Sheet

Type 12/13 Panel Encl.



Application

- Houses electrical controls and instruments
- Protects against circulating dust, falling dirt and dripping non-corrosive liquids

Standards

- UL 508A Listed, Type 12 and Type 13
- CSA C22.2 No. 94 certified, Type 12 and Type 13
- Conforms to NEMA standard for Type 12 and Type 13

Finish

- Wash and phosphate undercoat
- ANSI 61 gray polyester powder finish
- Optional panels have a white enamel finish

Accessories

- Panels
- JIC terminal strap kit
- JIC terminal strip kit
- JIC terminal blocks
- Touch-up paint
- #8-32 self tapping screw (10168)

Construction

- Enclosure and door are fabricated from 16 gauge steel
- Body flange trough design, formed around body opening, diverts liquid contaminants away from door opening
- Cover has a seamless poured in-place gasket
- Integral compression stop to prevent over compression of gasket for optimal gasket performance
- Ground stud provided on door
- Door is secured to the body with a continuous hinge on one side and heavy-duty latches on the opposite side
- #10-32 weldnuts are provided for mounting optional panels
- External mounting feet are provided for secure wall mounting

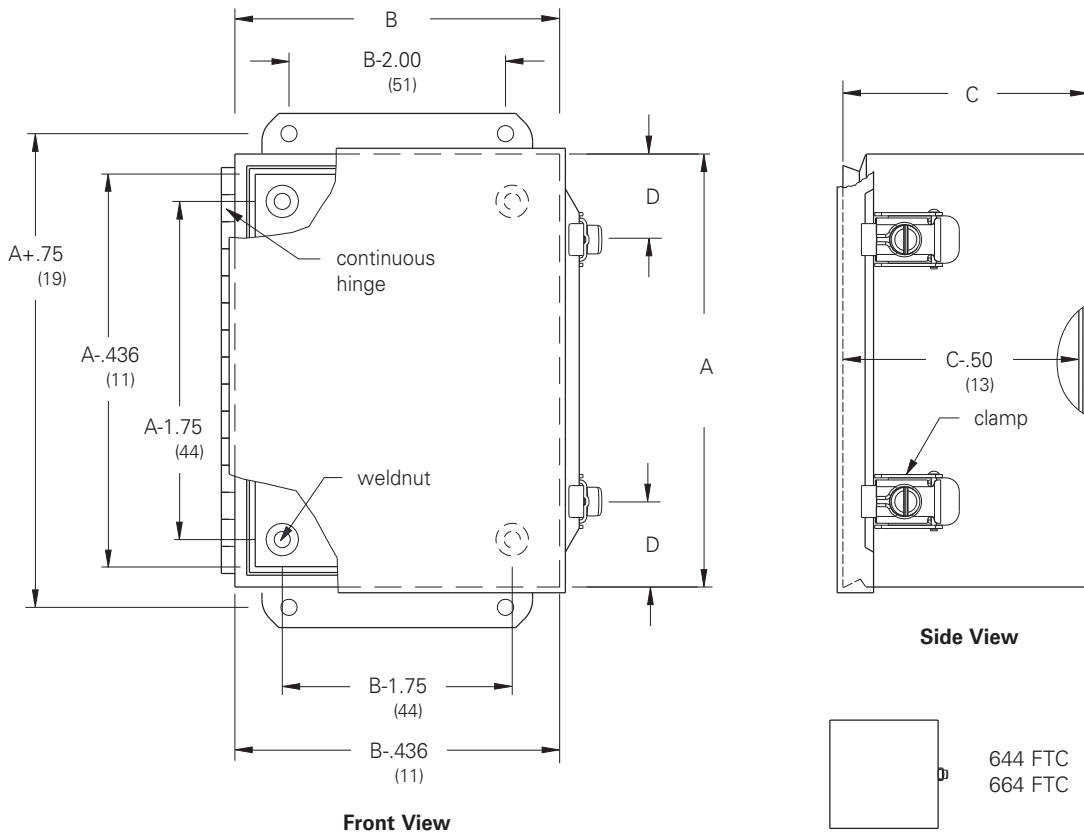
Discount Schedule: C2

Subclass: DE1

Notes: We can provide special sizes, finishes and other modifications. Consult the factory for your special requirements.

JIC Enclosures Type 12 Continuous Hinge Flanged Trough Cover Illustration Sheet and Catalog Number

Enclosure Catalog Number	Enclosure Size Height x Width x Depth A x B x C		D		Panel Catalog Number		Panel Size Height x Width	
	in.	mm	in.	mm	Solid	Perforated	in.	mm
644-FTC	6.00 x 4.00 x 4.54	152 x 102 x 115	3.00	76	AW64P	AW64PP	4.87 x 2.87	124 x 73
664-FTC	6.00 x 6.00 x 4.54	152 x 152 x 115	3.00	76	AW66P	AW66PP	4.87 x 4.87	124 x 124
864-FTC	8.00 x 6.00 x 4.54	203 x 152 x 115	2.00	51	AW86P	AW86PP	6.87 x 4.87	174 x 124
1084-FTC	10.00 x 8.00 x 4.54	254 x 203 x 115	2.00	51	AW108P	AW108PP	8.87 x 6.87	225 x 174
12105-FTC	12.00 x 10.00 x 5.54	305 x 254 x 141	2.00	51	AW1210P	AW1210PP	10.87 x 8.87	272 x 225
14126-FTC	14.00 x 12.00 x 6.54	356 x 305 x 166	2.00	51	AW1412P	AW1412PP	12.87 x 10.87	327 x 272
16146-FTC	16.00 x 14.00 x 6.54	406 x 356 x 166	2.00	51	AW1614P	AW1614PP	14.87 x 12.87	378 x 327



Type 12/13 Panel Encl.

Notes: Dimensions are in inches. Millimeters shown are for reference only. Data subject to change without notice.

Type 12 / 13 Panel Enclosures

Wall-Mount Enclosures Type 12 Single-Door Data Sheet

Type 12/13 Panel Encl.



Application

- Houses electrical controls and instruments
- Protects against circulating dust, falling dirt and dripping non-corrosive liquids

Standards

- UL 508A listed, Type 12 and Type 13
- CSA C22.2 No.94 certified, Type 12 and Type 13
- Conforms to NEMA standard for Type 12 and Type 13

Finish

- Wash and phosphate undercoat
- ANSI 61 gray polyester powder finish

Accessories

- Panels
- NEMA terminal strap kit
- Terminal blocks
- Type 12 door handle kit
- Floor stand kit
- Touch-up paint
- See Accessories section

Construction

- Enclosure and door are fabricated from code gauge steel, (see tables, pages 106 & 107)
- All continuous welded seams are finished smooth
- Doors are secured to the body with a heavy-duty continuous hinge on one side and easy-to-release door clamps mounted to the opposite side
- Each door has a padlock hasp with sealing hole provision
- Print pocket provided
- Door has a seamless poured in-place gasket
- Ground stud provided on door and body
- Formed lip around enclosure opening diverts liquids and contaminants
- .375-16 collar studs are provided for mounting optional panel
- External mounting feet are provided for secure wall mounting

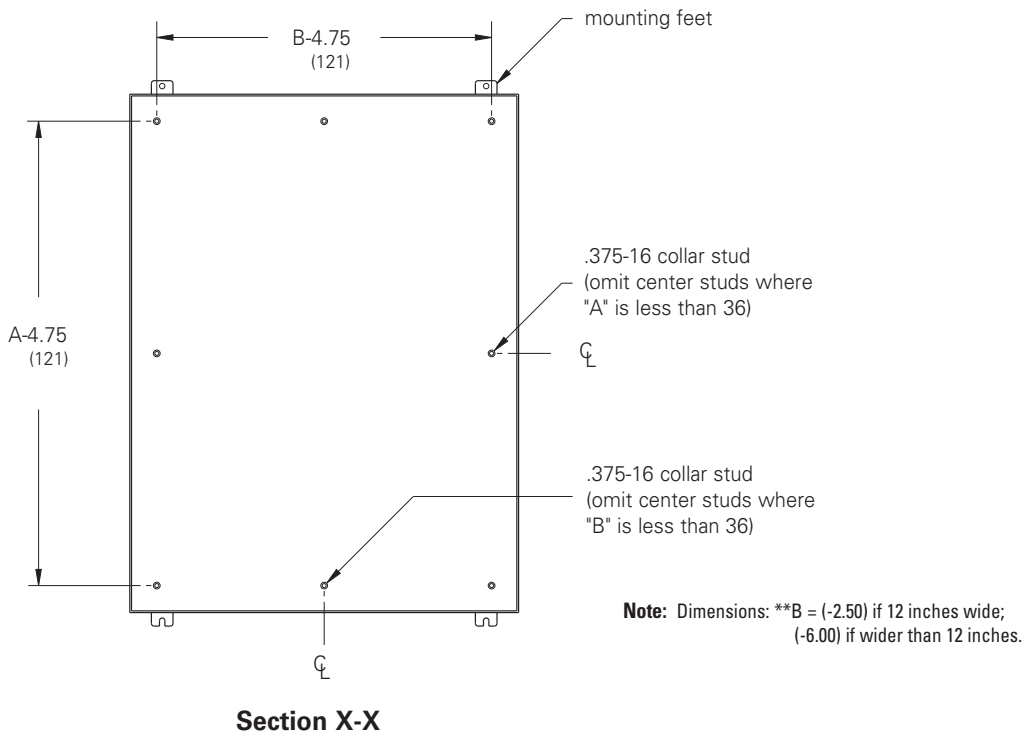
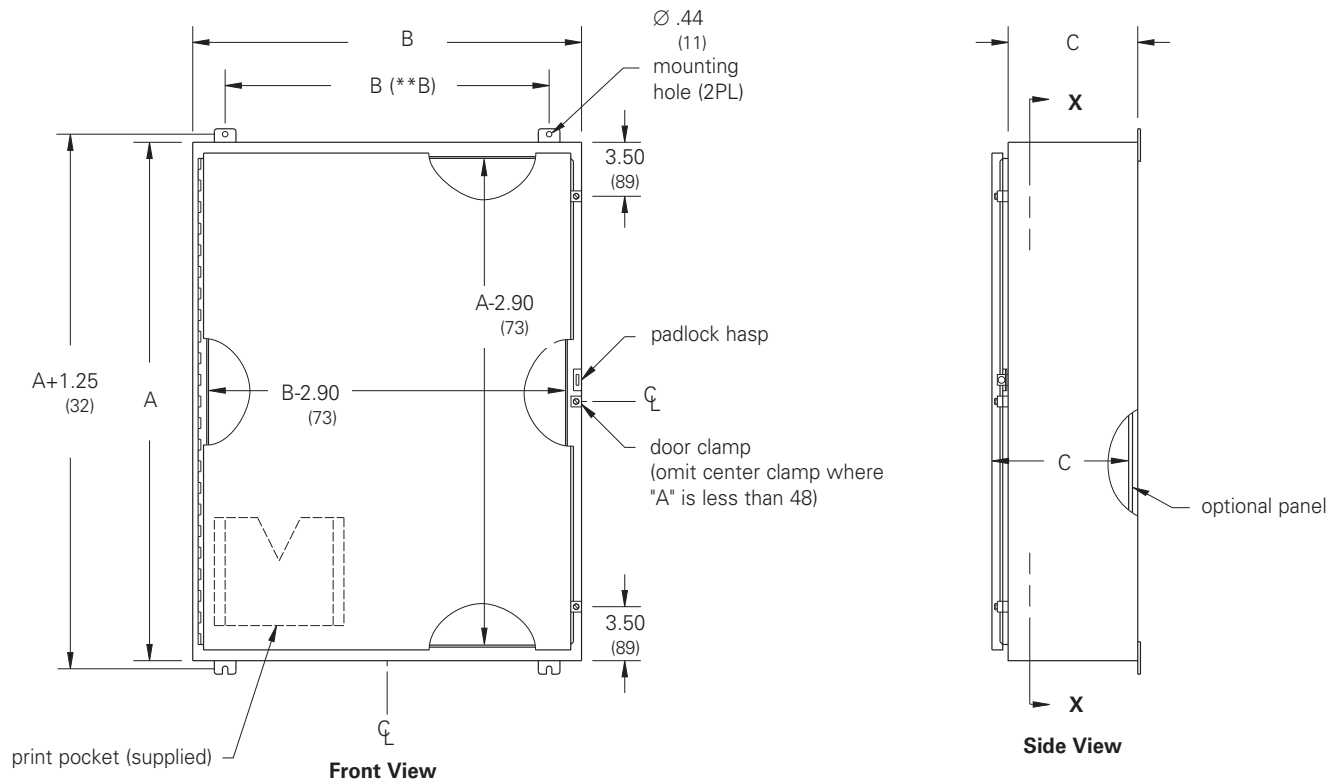
Discount Schedule: C2

Subclass: DH0

Notes: We can provide special sizes, finishes and other modifications. Consult the factory for your special requirements.

Wall-Mount Enclosures Type 12 Single-Door Illustration Sheet

See pages 106 & 107 for dimensions



Notes: Dimensions are in inches. Millimeters shown are for reference only. Data subject to change without notice.

Type 12 / 13 Panel Enclosures

Wall-Mount Enclosures Type 12 Single-Door Catalog Number

Type 12/13 Panel Encl.

Enclosure Catalog Number	Enclosure Size Height x Width x Depth A x B x C		Gauge	Panel Catalog Number		Panel Size Height x Width	
	in.	mm		Painted	Conductive	in.	mm
	12246-12	12.00 x 24.00 x 6.00		305 x 610 x 152	16	AW2412P	--
16126-12	16.00 x 12.00 x 6.00	406 x 305 x 152	16	AW1612P	AW1612GP	13.00 x 9.00	330 x 229
16166-12	16.00 x 16.00 x 6.00	406 x 406 x 152	16	AW1616P	AW1616GP	13.00 x 13.00	330 x 330
16206-12	16.00 x 20.00 x 6.00	406 x 508 x 152	16	AW2016P	AW2016GP	13.00 x 17.00	330 x 432
20126-12	20.00 x 12.00 x 6.00	508 x 305 x 152	16	AW2012P	--	17.00 x 9.00	432 x 229
20166-12	20.00 x 16.00 x 6.00	508 x 406 x 152	16	AW2016P	AW2016GP	17.00 x 13.00	432 x 330
20206-12	20.00 x 20.00 x 6.00	508 x 508 x 152	16	AW2020P	AW2020GP	17.00 x 17.00	432 x 432
20246-12	20.00 x 24.00 x 6.00	508 x 610 x 152	16	AW2420P	AW2420GP	16.87 x 20.87	428 x 530
24126-12	24.00 x 12.00 x 6.00	610 x 305 x 152	16	AW2412P	--	21.00 x 9.00	533 x 229
24166-12	24.00 x 16.00 x 6.00	610 x 406 x 152	16	AW2416P	AW2416GP	21.00 x 13.00	533 x 330
24206-12	24.00 x 20.00 x 6.00	610 x 508 x 152	16	AW2420P	AW2420GP	20.87 x 16.87	530 x 428
24246-12	24.00 x 24.00 x 6.00	610 x 610 x 152	14	AW2424P	AW2424GP	20.87 x 20.87	530 x 530
30166-12	30.00 x 16.00 x 6.00	762 x 406 x 152	16	AW3016P	AW3016GP	26.87 x 12.87	682 x 327
30206-12	30.00 x 20.00 x 6.00	762 x 508 x 152	14	AW3020P	AW3020GP	26.87 x 16.87	682 x 428
30246-12	30.00 x 24.00 x 6.00	762 x 610 x 152	14	AW3024P	AW3024GP	26.87 x 20.87	682 x 530
36246-12	36.00 x 24.00 x 6.00	914 x 610 x 152	14	AW3624P	AW3624GP	32.87 x 20.87	835 x 530
36306-12	36.00 x 30.00 x 6.00	914 x 762 x 152	14	AW3630P	AW3630GP	32.87 x 26.87	835 x 682
12248-12	12.00 x 24.00 x 8.00	305 x 610 x 203	16	AW2412P	--	9.00 x 21.00	229 x 533
16128-12	16.00 x 12.00 x 8.00	406 x 305 x 203	16	AW1612P	AW1612GP	13.00 x 9.00	330 x 229
16168-12	16.00 x 16.00 x 8.00	406 x 406 x 203	16	AW1616P	AW1616GP	13.00 x 13.00	330 x 330
16208-12	16.00 x 20.00 x 8.00	406 x 508 x 203	16	AW2016P	AW2016GP	13.00 x 17.00	330 x 432
20128-12	20.00 x 12.00 x 8.00	508 x 305 x 203	16	AW2012P	--	17.00 x 9.00	432 x 229
20168-12	20.00 x 16.00 x 8.00	508 x 406 x 203	16	AW2016P	AW2016GP	17.00 x 13.00	432 x 330
20208-12	20.00 x 20.00 x 8.00	508 x 508 x 203	16	AW2020P	AW2020GP	17.00 x 17.00	432 x 432
20248-12	20.00 x 24.00 x 8.00	508 x 610 x 203	16	AW2420P	AW2420GP	16.87 x 20.87	428 x 530
24128-12	24.00 x 12.00 x 8.00	610 x 305 x 203	16	AW2412P	--	21.00 x 9.00	533 x 229
24168-12	24.00 x 16.00 x 8.00	610 x 406 x 203	16	AW2416P	AW2416GP	21.00 x 13.00	533 x 330
24208-12	24.00 x 20.00 x 8.00	610 x 508 x 203	16	AW2420P	AW2420GP	20.87 x 16.87	530 x 428
24248-12	24.00 x 24.00 x 8.00	610 x 610 x 203	14	AW2424P	AW2424GP	20.87 x 20.87	530 x 530
24308-12	24.00 x 30.00 x 8.00	610 x 762 x 203	14	AW3024P	AW3024GP	20.87 x 26.87	530 x 682
30208-12	30.00 x 20.00 x 8.00	762 x 508 x 203	14	AW3020P	AW3020GP	26.87 x 16.87	682 x 428
30248-12	30.00 x 24.00 x 8.00	762 x 610 x 203	14	AW3024P	AW3024GP	26.87 x 20.87	682 x 530
30308-12	30.00 x 30.00 x 8.00	762 x 762 x 203	14	AW3030P	AW3030GP	26.87 x 26.87	682 x 682
30368-12	30.00 x 36.00 x 8.00	762 x 914 x 203	14	AW3630P	AW3630GP	26.87 x 32.87	682 x 835
36248-12	36.00 x 24.00 x 8.00	914 x 610 x 203	14	AW3624P	AW3624GP	32.87 x 20.87	835 x 530
36308-12	36.00 x 30.00 x 8.00	914 x 762 x 203	14	AW3630P	AW3630GP	32.87 x 26.87	835 x 682
36368-12	36.00 x 36.00 x 8.00	914 x 914 x 203	14	AW3636P	--	32.87 x 32.87	835 x 835
42248-12	42.00 x 24.00 x 8.00	1067 x 670 x 203	14	AW4224P	--	38.87 x 20.87	987 x 530
42308-12	42.00 x 30.00 x 8.00	1067 x 762 x 203	14	AW4230P	AW4230GP	38.87 x 26.87	987 x 682
42368-12	42.00 x 36.00 x 8.00	1067 x 914 x 203	14	AW4236P	AW4236GP	38.87 x 32.87	987 x 835
48248-12	48.00 x 24.00 x 8.00	1219 x 610 x 203	14	AW4824P	--	44.87 x 20.87	1140 x 530
48308-12	48.00 x 30.00 x 8.00	1219 x 762 x 203	14	AW4830P	AW4830GP	44.87 x 26.87	1140 x 682
48368-12	48.00 x 36.00 x 8.00	1219 x 914 x 203	14	AW4836P	AW4836GP	44.87 x 32.87	1140 x 835
60368-12	60.00 x 36.00 x 8.00	1524 x 914 x 203	14	AW6036P	AW6036GP	56.87 x 32.87	1444 x 835

Notes: Dimensions are in inches. Millimeters shown are for reference only. Data subject to change without notice.

Wall-Mount Enclosures Type 12 Single-Door Catalog Number (cont'd)

Enclosure Catalog Number	Enclosure Size Height x Width x Depth A x B x C		Gauge	Panel Catalog Number		Panel Size Height x Width	
	in.	mm		Painted	Conductive	in.	mm
	161210-12	16.00 x 12.00 x 10.00		406 x 305 x 254	16	AW1612P	AW1612GP
201610-12	20.00 x 16.00 x 10.00	508 x 406 x 254	16	AW2016P	AW2016GP	17.00 x 13.00	432 x 330
202010-12	20.00 x 20.00 x 10.00	508 x 508 x 254	16	AW2020P	AW2020GP	17.00 x 17.00	432 x 432
241210-12	24.00 x 12.00 x 10.00	610 x 305 x 254	16	AW2412P	--	21.00 x 9.00	533 x 229
242010-12	24.00 x 20.00 x 10.00	610 x 508 x 254	16	AW2420P	AW2420GP	20.87 x 16.87	530 x 428
242410-12	24.00 x 24.00 x 10.00	610 x 610 x 254	14	AW2424P	AW2424GP	20.87 x 20.87	530 x 530
302010-12	30.00 x 20.00 x 10.00	762 x 508 x 254	14	AW3020P	AW3020GP	26.87 x 16.87	682 x 428
302410-12	30.00 x 24.00 x 10.00	762 x 610 x 254	14	AW3024P	AW3024GP	26.87 x 20.87	682 x 530
362410-12	36.00 x 24.00 x 10.00	914 x 610 x 254	14	AW3624P	AW3624GP	32.87 x 20.87	835 x 530
363010-12	36.00 x 30.00 x 10.00	914 x 762 x 254	14	AW3630P	AW3630GP	32.87 x 26.87	835 x 682
423010-12	42.00 x 30.00 x 10.00	1067 x 762 x 254	14	AW4230P	AW4230GP	38.87 x 26.87	987 x 682
423610-12	42.00 x 36.00 x 10.00	1067 x 914 x 254	14	AW4236P	AW4236GP	38.87 x 32.87	987 x 835
483010-12	48.00 x 30.00 x 10.00	1219 x 762 x 254	14	AW4830P	AW4830GP	44.87 x 26.87	1140 x 682
483610-12	48.00 x 36.00 x 10.00	1219 x 914 x 254	14	AW4836P	AW4836GP	44.87 x 32.87	1140 x 835
603610-12	60.00 x 36.00 x 10.00	1524 x 914 x 254	14	AW6036P	AW6036GP	56.87 x 32.87	1444 x 835
201612-12	20.00 x 16.00 x 12.00	508 x 406 x 305	16	AW2016P	AW2016GP	17.00 x 13.00	432 x 330
242012-12	24.00 x 20.00 x 12.00	610 x 508 x 305	16	AW2420P	AW2420GP	20.87 x 16.87	530 x 428
242412-12	24.00 x 24.00 x 12.00	610 x 610 x 305	14	AW2424P	AW2424GP	20.87 x 20.87	530 x 530
302412-12	30.00 x 24.00 x 12.00	762 x 610 x 305	14	AW3024P	AW3024GP	26.87 x 20.87	682 x 530
303012-12	30.00 x 30.00v12.00	762 x 762v305	14	AW3030P	AW3030GP	26.87 x 26.87	682 x 682
362412-12	36.00 x 24.00 x 12.00	914 x 610v305	14	AW3624P	AW3624GP	32.87 x 20.87	835 x 530
363012-12	36.00 x 30.00 x 12.00	914 x 762 x 305	14	AW3630P	AW3630GP	32.87 x 26.87	835 x 682
363612-12	36.00 x 36.00 x 12.00	914 x 914 x 305	14	AW3636P	--	32.87 x 32.87	835 x 835
423012-12	42.00 x 30.00 x 12.00	1067 x 762 x 305	14	AW4230P	AW4230GP	38.87 x 26.87	987 x 682
423612-12	42.00 x 36.00 x 12.00	1067 x 914 x 305	14	AW4236P	AW4236GP	38.87 x 32.87	987 x 835
483612-12	48.00 x 36.00 x 12.00	1219v914 x 305	14	AW4836P	AW4836GP	44.87 x 32.87	1140 x 835
603612-12	60.00 x 36.00 x 12.00	1524 x 914 x 305	14	AW6036P	AW6036GP	56.87 x 32.87	1444 x 835
723612-12	72.00 x 36.00 x 12.00	1829 x 914 x 305	14	AW7236P	--	68.87 x 32.87	1749 x 835
242016-12	24.00 x 20.00 x 16.00	610 x 508 x 406	16	AW2420P	AW2420GP	20.87 x 16.87	530 x 428
242416-12	24.00 x 24.00 x 16.00	610 x 610 x 406	14	AW2424P	AW2424GP	20.87 x 20.87	530 x 530
302416-12	30.00 x 24.00 x 16.00	762 x 610 x 406	14	AW3024P	AW3024GP	26.87 x 20.87	682 x 530
363016-12	36.00 x 30.00 x 16.00	914 x 762 x 406	14	AW3630P	AW3630GP	32.87 x 26.87	835 x 682
423616-12	42.00 x 36.00 x 16.00	1067 x 914 x 406	14	AW4236P	AW4236GP	38.87 x 32.87	987 x 835
483616-12	48.00 x 36.00 x 16.00	1219 x 914 x 406	14	AW4836P	AW4836GP	44.87 x 32.87	1140 x 835
603616-12	60.00 x 36.00 x 16.00	1524 x 914 x 406	14	AW6036P	AW6036GP	56.87 x 32.87	1444 x 835
723016-12	72.00 x 30.00 x 16.00	1829 x 762 x 406	14	AW7230P	--	68.87 x 26.87	1749 x 682
302420-12	30.00 x 24.00 x 20.00	762 x 610 x 508	14	AW3024P	AW3024GP	26.87 x 20.87	682 x 530
363020-12	36.00 x 30.00 x 20.00	914 x 762 x 508	14	AW3630P	AW3630GP	32.87 x 26.87	835 x 682
483620-12	48.00 x 36.00 x 20.00	1219 x 914 x 508	14	AW4836P	AW4836GP	44.87 x 32.87	1140 x 835
603620-12	60.00 x 36.00 x 20.00	1524 x 914 x 508	14	AW6036P	AW6036GP	56.87 x 32.87	1444 x 835
723020-12	72.00 x 30.00 x 20.00	1829 x 762 x 508	14	AW7230P	--	68.87 x 26.87	1749 x 682
302424-12	30.00 x 24.00 x 24.00	762 x 610 x 610	14	AW3024P	AW3024GP	26.87 x 20.87	682 x 530
723024-12	72.00 x 30.00 x 24.00	1829 x 762 x 610	14	AW7230P	--	68.87 x 26.87	1749 x 682

Type 12/13 Panel Encl.

Notes: Dimensions are in inches. Millimeters shown are for reference only. Data subject to change without notice.

Type 12 / 13 Panel Enclosures

Wall-Mount Enclosures Type 12 Terminal Data Sheet



Type 12/13 Panel Encl.

Application

- Houses and protects wiring terminals
- Protects against circulating dust, falling dirt and dripping non-corrosive liquids

Standards

- UL 508A listed, Type 12 and Type 13
- CSA C22.2 No.94 certified, Type 12 and Type 13
- Conforms to NEMA standard for Type 12 and Type 13

Finish

- Wash and phosphate undercoat
- ANSI 61 gray polyester powder finish
- Terminal strap assembly has an electrogalvanized finish

Accessories

- Panels
- Extra strap kit
- Terminal blocks
- Type 12 door handle kit
- Floor stand kit
- Touch-up paint
- See Accessories section

Construction

- Enclosure and door are fabricated from code gauge steel, (see table, page 109)
- All continuous welded seams are finished smooth
- Doors are secured to the body with a heavy-duty continuous hinge on one side and easy-to-release door clamps mounted to the opposite side
- Each door has a padlock hasp with sealing hole provision
- Print pocket provided
- Door has a seamless poured in-place gasket
- Ground stud provided on door and body
- Formed lip around enclosure opening diverts liquids and contaminants
- Removable terminal strap assembly is installed on .375-16 collar studs and used for mounting optional terminal blocks, (order terminal blocks separately)
- External mounting feet are provided for secure wall mounting

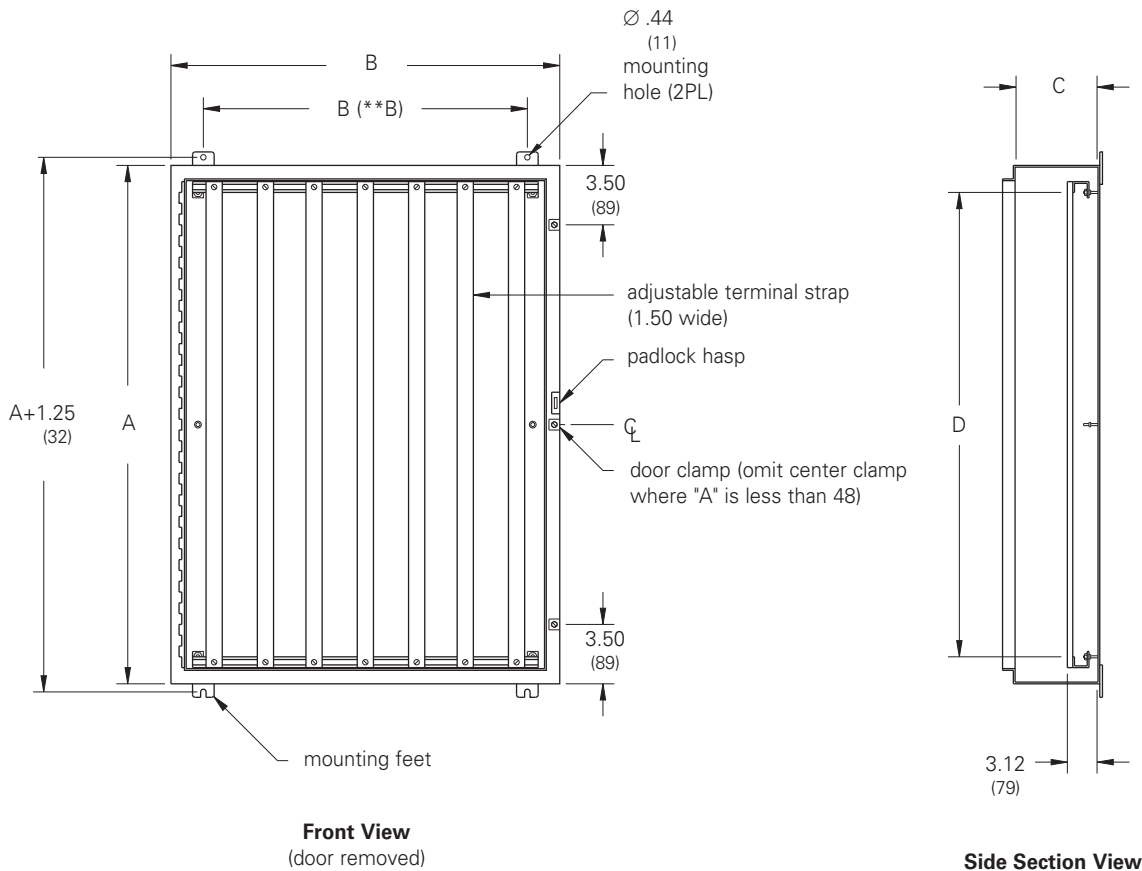
Discount Schedule: C2

Subclass: DH0

Notes: We can provide special sizes, finishes and other modifications. Consult the factory for your special requirements.

Wall-Mount Enclosures Type 12 Terminal Illustration Sheet and Catalog Number

Enclosure Catalog Number	Enclosure Size Height x Width x Depth A x B x C		Gauge	D		Quantity of straps
	in.	mm		in.	mm	
16126-12TE	16.00 x 12.00 x 6.00	406 x 305 x 152	16	11.50	292	2
20166-12TE	20.00 x 16.00 x 6.00	508 x 406 x 152	16	15.50	394	3
20206-12TE	20.00 x 20.00 x 6.00	508 x 508 x 152	16	15.50	394	4
24206-12TE	24.00 x 20.00 x 6.00	610 x 508 x 152	16	19.50	495	4
24246-12TE	24.00 x 24.00 x 6.00	610 x 610 x 152	14	19.50	495	5
30206-12TE	30.00 x 20.00 x 6.00	762 x 508 x 152	14	25.50	648	4
30246-12TE	30.00 x 24.00 x 6.00	762 x 610 x 152	14	25.50	648	5
36246-12TE	36.00 x 24.00 x 6.00	914 x 610 x 152	14	31.50	800	5
36308-12TE	36.00 x 30.00 x 8.00	914 x 762 x 203	14	31.50	800	6
42308-12TE	42.00 x 30.00 x 8.00	1067 x 762 x 203	14	37.50	953	6
48368-12TE	48.00 x 36.00 x 8.00	1219 x 914 x 203	14	43.50	1105	7
60368-12TE	60.00 x 36.00 x 8.00	1524 x 914 x 203	14	55.50	1410	7



Note: Dimensions: **B = (-2.50) if 12 inches wide;
(-6.00) if wider than 12 inches.

Notes: Dimensions are in inches. Millimeters shown are for reference only. Data subject to change without notice.

Type 12 / 13 Panel Enclosures

Wall-Mount Enclosures

Type 12 Double-Door with 3-Point Locking

Data Sheet and Catalog Number



Type 12/13 Panel Encl.

Application

- Houses electrical controls and instruments
- Protects against circulating dust, falling dirt and dripping non-corrosive liquids

Standards

- UL 508A listed, Type 12 and Type 13
- CSA C22.2 No.94 certified, Type 12 and Type 13
- Conforms to NEMA standard for Type 12 and Type 13

Finish

- Wash and phosphate undercoat
- ANSI 61 gray polyester powder finish

Accessories

- Panels
- NEMA terminal strap kit
- Terminal blocks
- Floor stand kit
- Touch-up paint
- Replacement handle, 00011184A (see page 427).
- See Accessories section

Construction

- Enclosure and door are fabricated from (14) gauge steel
- All continuous welded seams are finished smooth
- Doors are secured to the body with a heavy-duty continuous hinge and a center locating 3-point padlock handle mechanism which closes the right side door over the left
- Print pocket provided
- Doors have a gasket
- Ground stud provided on door and body
- No center post for complete front access
- .375-16 collar studs are provided for mounting optional panel
- External mounting feet are provided for secure wall mounting

Discount Schedule: C2

Subclass: DKO

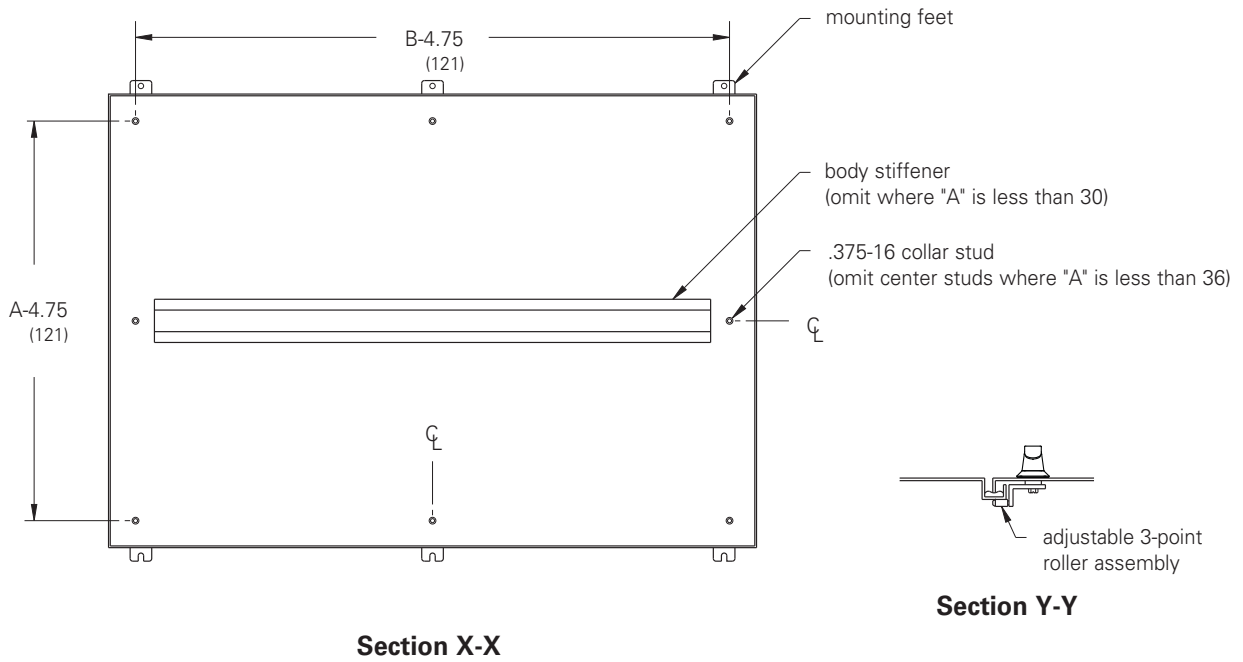
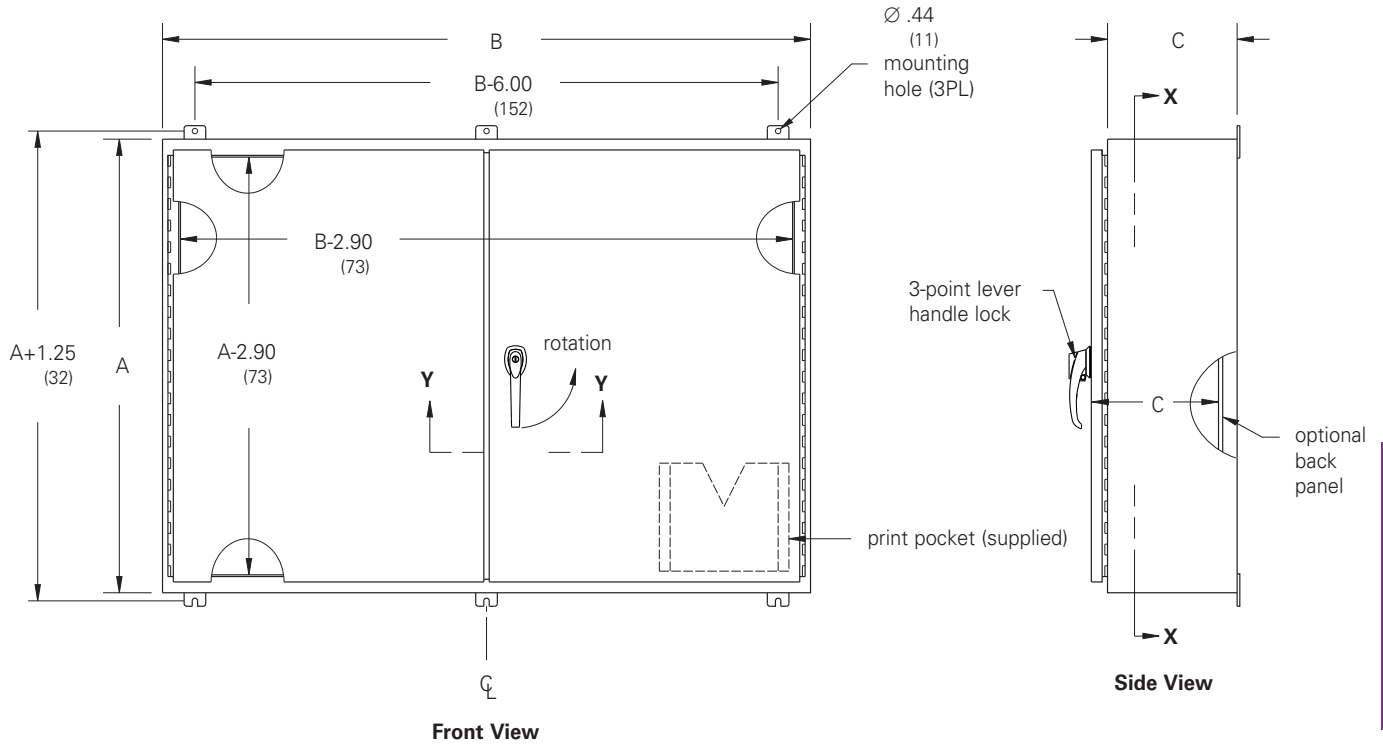
Enclosure Catalog Number	Enclosure Size Height x Width x Depth A x B x C in.		Panel Catalog Number	Panel Size Height x Width in. mm	
	24428-12D	24.00 x 42.00 x 8.00		610 x 1067 x 203	AW4224P
24488-12D	24.00 x 48.00 x 8.00	610 x 1219 x 203	AW4824P	20.87 x 44.87	530 x 1140
304210-12D	30.00 x 42.00 x 10.00	762 x 1067 x 254	AW4230P	26.87 x 38.87	682 x 987
304810-12D	30.00 x 48.00 x 10.00	762 x 1219 x 254	AW4830P	26.87 x 44.87	682 x 1140
306010-12D	30.00 x 60.00 x 10.00	762 x 1524 x 254	AW6030P	26.87 x 56.87	682 x 1444
364212-12D	36.00 x 42.00 x 12.00	914 x 1067 x 305	AW4236P	32.87 x 38.87	835 x 987
364812-12D	36.00 x 48.00 x 12.00	914 x 1219 x 305	AW4836P	32.87 x 44.87	835 x 1140
366012-12D	36.00 x 60.00 x 12.00	914 x 1524 x 305	AW6036P	32.87 x 56.87	835 x 1444
424212-12D	42.00 x 42.00 x 12.00	1067 x 1067 x 305	AW4242P	38.87 x 38.87	987 x 987
424812-12D	42.00 x 48.00 x 12.00	1067 x 1219 x 305	AW4842P	38.87 x 44.87	987 x 1140
426012-12D	42.00 x 60.00 x 12.00	1067 x 1524 x 305	AW6042P	38.87 x 56.87	987 x 1444
484812-12D	48.00 x 48.00 x 12.00	1219 x 1219 x 305	AW4848P	44.87 x 44.87	1140 x 1140

Notes: We can provide special sizes, finishes and other modifications. Consult the factory for your special requirements.

Wall-Mount Enclosures

Type 12 Double-Door with 3-Point Locking

Illustration Sheet



Notes: Dimensions are in inches. Millimeters shown are for reference only. Data subject to change without notice.

Type 12 / 13 Panel Enclosures

Ground-Mount Enclosures Type 12 Double-Door Floor-Standing with 3-Point Locking Data Sheet and Catalog Number



Type 12/13 Panel Encl.

Application

- Houses electrical controls and instruments
- Protects against circulating dust, falling dirt and dripping non-corrosive liquids

Standards

- UL 508A listed, Type 12
- CSA C22.2 No.94 certified, Type 12
- Conforms to NEMA standard for Type 12

Finish

- Wash and phosphate undercoat
- ANSI 61 gray polyester powder finish

Accessories

- Panels
- Leg stabilizer kit
- Touch-up paint
- Replacement handle, BD-PKHB, (see page 429)
- See Accessories section

Construction

- Enclosure and door are fabricated from (12) gauge steel
- All continuous welded seams are finished smooth
- Doors are secured to the body with removable concealed hinges and a center locating 3-point key-locking and padlock handle mechanism which closes the right side door over the left door
- Modern bevel profile on hinge side of enclosure doors
- Print pocket provided
- Doors have an oil-resistant gasket
- Ground stud provided on doors and body
- No center post for complete front access
- Heavy gauge panel supports and .375-16 collar studs are provided for mounting optional panel
- Large lifting eyebolts are supplied
- Mounting legs are provided for floor mounting

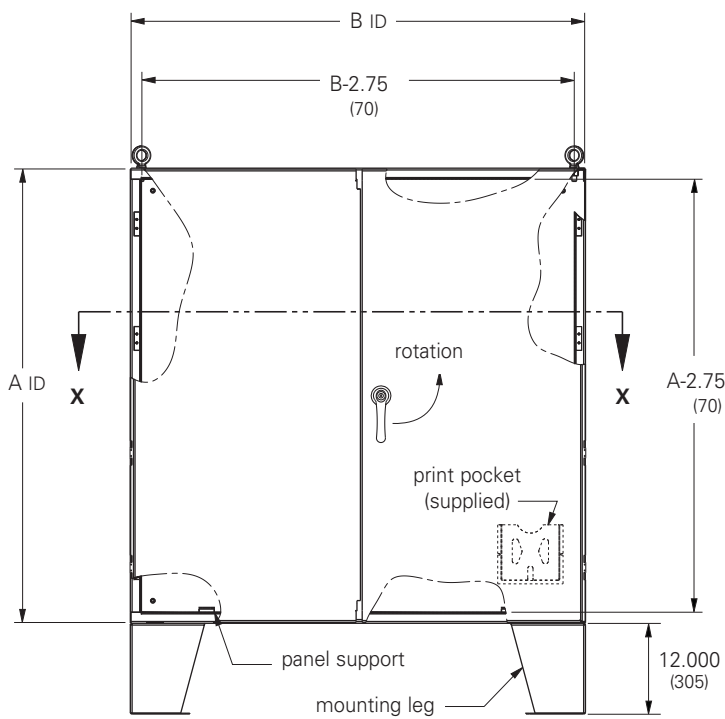
Discount Schedule: C2

Subclass: DK0

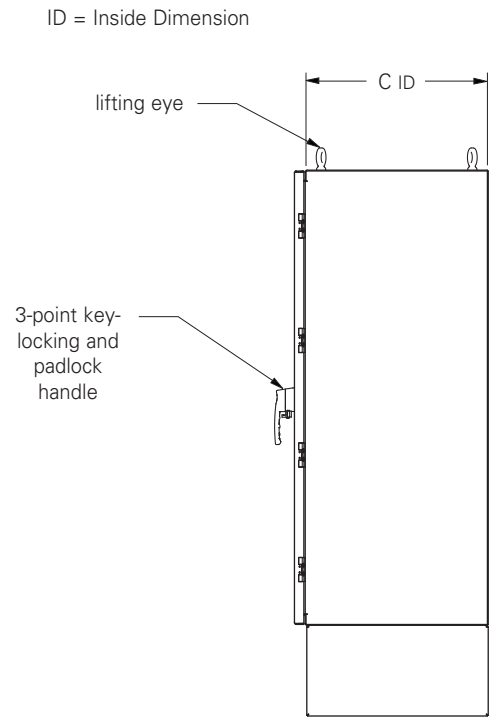
Enclosure Catalog Number	Enclosure Size Height x Width x Depth		Panel Catalog Number	Panel Size	
	in.	A x B x C mm		in.	Height x Width mm
54428-12FD	54.00 x 42.00 x 8.00	1372 x 1067 x 203	AW5442P	49.87 x 37.87	1267 x 962
60488-12FD	60.00 x 48.00 x 8.00	1524 x 1219 x 203	AW6048P	55.87 x 43.87	1419 x 1114
604810-12FD	60.00 x 48.00 x 10.00	1524 x 1219 x 254	AW6048P	55.87 x 43.87	1419 x 1114
606010-12FD	60.00 x 60.00 x 10.00	1524 x 1524 x 254	AW6060P	55.87 x 55.87	1419 x 1419
726010-12FD	72.00 x 60.00 x 10.00	1829 x 1524 x 254	AW7260P	67.87 x 55.87	1724 x 1419
727210-12FD	72.00 x 72.00 x 10.00	1829 x 1829 x 254	AW7272P	67.87 x 67.87	1724 x 1724
604812-12FD	60.00 x 48.00 x 12.00	1524 x 1219 x 305	AW6048P	55.87 x 43.87	1419 x 1114
606012-12FD	60.00 x 60.00 x 12.00	1524 x 1524 x 305	AW6060P	55.87 x 55.87	1419 x 1419
726012-12FD	72.00 x 60.00 x 12.00	1829 x 1524 x 305	AW7260P	67.87 x 55.87	1724 x 1419
727212-12FD	72.00 x 72.00 x 12.00	1829 x 1829 x 305	AW7272P	67.87 x 67.87	1724 x 1724
604816-12FD	60.00 x 48.00 x 16.00	1524 x 1219 x 406	AW6048P	55.87 x 43.87	1419 x 1114
606016-12FD	60.00 x 60.00 x 16.00	1524 x 1524 x 406	AW6060P	55.87 x 55.87	1419 x 1419
726016-12FD	72.00 x 60.00 x 16.00	1829 x 1524 x 406	AW7260P	67.87 x 55.87	1724 x 1419
727216-12FD	72.00 x 72.00 x 16.00	1829 x 1829 x 406	AW7272P	67.87 x 67.87	1724 x 1724
604820-12FD	60.00 x 48.00 x 20.00	1524 x 1219 x 508	AW6048P	55.87 x 43.87	1419 x 1114
726020-12FD	72.00 x 60.00 x 20.00	1829 x 1524 x 508	AW7260P	67.87 x 55.87	1724 x 1419
727220-12FD	72.00 x 72.00 x 20.00	1829 x 1829 x 508	AW7272P	67.87 x 67.87	1724 x 1724
604824-12FD	60.00 x 48.00 x 24.00	1524 x 1219 x 610	AW6048P	55.87 x 43.87	1419 x 1114
606024-12FD	60.00 x 60.00 x 24.00	1524 x 1524 x 610	AW6060P	55.87 x 55.87	1419 x 1419
726024-12FD	72.00 x 60.00 x 24.00	1829 x 1524 x 610	AW7260P	67.87 x 55.87	1724 x 1419
727224-12FD	72.00 x 72.00 x 24.00	1829 x 1829 x 610	AW7272P	67.87 x 67.87	1724 x 1724

Notes: Dimensions are in inches. Millimeters shown are for reference only. Data subject to change without notice.

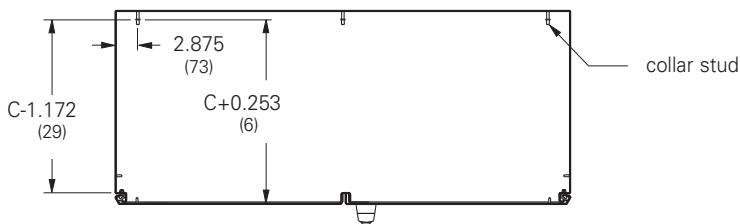
Ground-Mount Enclosures Type 12 Double-Door Floor-Standing with 3-Point Locking Illustration Sheet



Front View



Side View



Section X-X

ID = Inside Dimension

Type 12/13 Panel Encl.

Notes: Four lifting eyes are furnished when C dimensions is 20.00 (508 mm) and larger.
Dimensions are in inches. Millimeters shown are for reference only. Data subject to change without notice.

Type 12 / 13 Panel Enclosures

Ground-Mount Enclosures

Type 12 Double-Door Free-Standing with 3-Point Locking

Data Sheet



**Double-Door
Single-Access**
See page 115



**Double-Door
Dual-Access**
See page 116

Type 12/13 Panel Encl.

Application

- Houses electrical controls and instruments
- Easy access panels or rack-mounts for housing optional equipment
- Dual-access construction available for back-to-back panel and equipment mounting
- Protects against circulating dust, falling dirt and dripping non-corrosive liquids

Standards

- UL 508A listed, Type 12
- CSA C22.2 No.94 certified, Type 12
- Conforms to NEMA standard for Type 12
- E.I.A. RS-310-D

Finish

- Wash and phosphate undercoat
- ANSI 61 gray polyester powder finish

Accessories

- Full and half panels
- Side panels
- Swing panels
- Center post
- Rack mount angles and swing out frames (see pages 189 - 190)
- Channel mounting hardware
- Touch-up paint
- Replacement handle, BD-PKHB, (see page 429)
- See Accessories section

Construction

- Enclosure and door are fabricated from (12) gauge steel
- All continuous welded seams are finished smooth
- Doors are secured to the body with removable concealed hinges and a center locating 3-point key-locking and padlock handle mechanism which closes the right side door over the left door
- Modern bevel profile on hinge side of enclosure doors
- Doors have an oil-resistant gasket
- Ground stud provided on doors and body
- Print pocket provided
- Large lifting eyebolts are supplied
- Mounting channels are welded inside for locating panels along enclosure depth
- Dual-access enclosures permit back-to-back panel mounting
- Swing panels, single full and single half panels can be installed in double-door enclosures when the center post is used
- A variety of optional panels and accessories are available, (see accessories pages 120-128)
- Two styles of enclosure construction:
 1. Double-door, single-access
 2. Double-door, dual-access

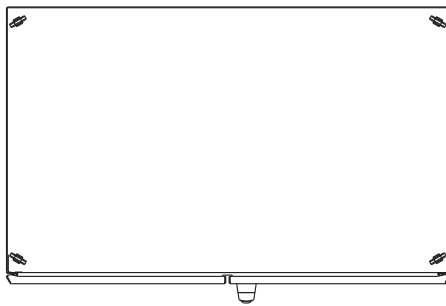
Discount Schedule: C2

Subclass: DMO

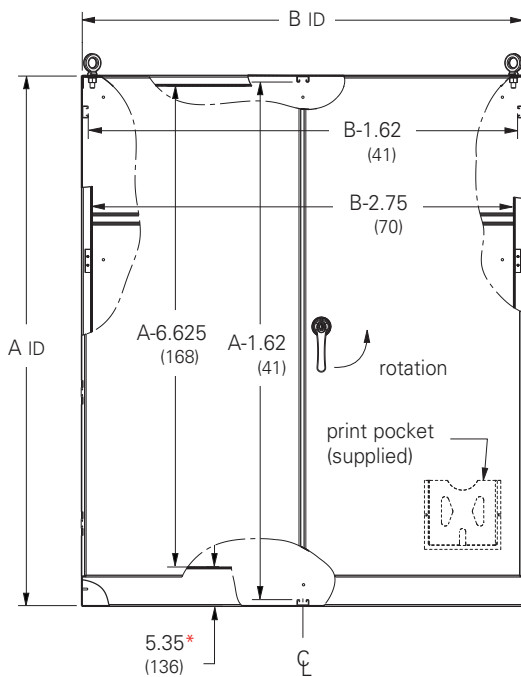
Notes: We can provide special sizes, finishes and other modifications. Consult the factory for your special requirements.

Ground-Mount Enclosures Type 12 Double-Door Single-Access Free-Standing with 3-Point Locking Illustration Sheet and Catalog Number

Enclosure Catalog Number ANSI 61 Gray Carbon Steel	Enclosure Size Height x Width x Depth A x B x C		D		E	
	in.	mm	in.	mm	in.	mm
	604818-12FSD	60.00 x 48.00 x 18.00	1524 x 1219 x 457	23.12	587	32.00
724818-12FSD	72.00 x 48.00 x 18.00	1829 x 1219 x 457	29.12	740	38.00	965
726018-12FSD	72.00 x 60.00 x 18.00	1829 x 1524 x 457	29.12	740	38.00	965
727218-12FSD	72.00 x 72.00 x 18.00	1829 x 1829 x 457	29.12	740	38.00	965
904820-12FSD	90.00 x 48.00 x 20.00	2286 x 1219 x 508	38.12	968	47.00	1194
907220-12FSD	90.00 x 72.00 x 20.00	2286 x 1829 x 508	38.12	968	47.00	1194
724824-12FSD	72.00 x 48.00 x 24.00	1829 x 1219 x 610	29.12	740	38.00	965
726024-12FSD	72.00 x 60.00 x 24.00	1829 x 1524 x 610	29.12	740	38.00	965
727224-12FSD	72.00 x 72.00 x 24.00	1829 x 1829 x 610	29.12	740	38.00	965
907224-12FSD	90.00 x 72.00 x 24.00	2286 x 1829 x 610	38.12	968	47.00	1194
726036-12FSD	72.00 x 60.00 x 36.00	1829 x 1524 x 914	29.12	740	38.00	965
907236-12FSD	90.00 x 72.00 x 36.00	2286 x 1829 x 914	38.12	968	47.00	1194



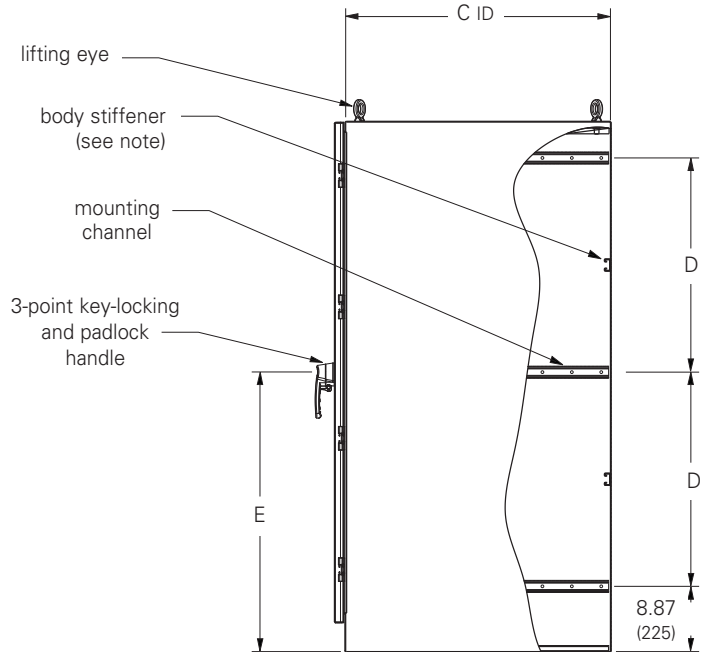
Top View



Front View

* From flange opening to bottom of enclosure

ID = Inside Dimension



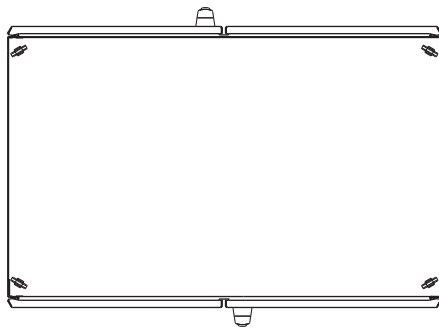
Side View

Notes: Two body stiffeners spaced evenly along enclosure height. Two lifting eyes are furnished when C dimension is less than 36.00 (914 mm). Dimensions are in inches. Millimeters shown are for reference only. Data subject to change without notice.

Type 12 / 13 Panel Enclosures

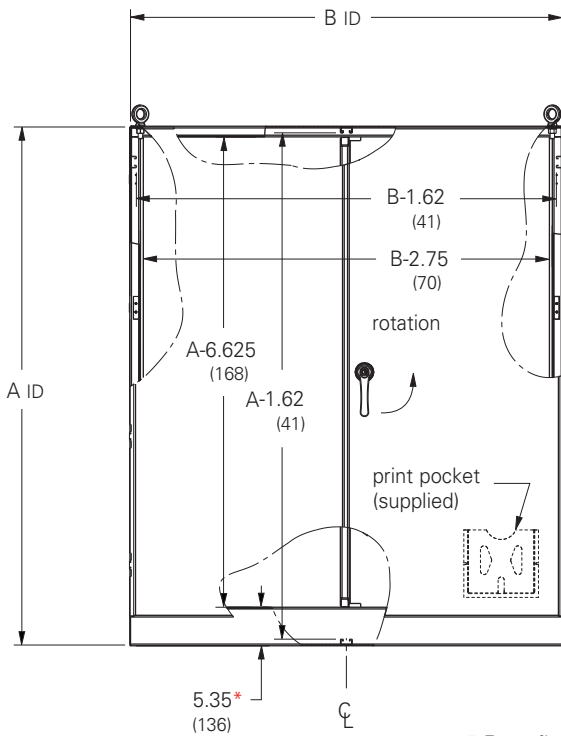
Ground-Mount Enclosures Type 12 Double-Door Dual-Access Free-Standing with 3-Point Locking Illustration Sheet and Catalog Number

Enclosure Catalog Number ANSI 61 Gray Carbon Steel	Enclosure Size Height x Width x Depth A x B x C		D		E	
	in.	mm	in.	mm	in.	mm
	724824-12FSDDA	72.00 x 48.00 x 24.00	1829 x 1219 x 610	29.12	740	38.00
726024-12FSDDA	72.00 x 60.00 x 24.00	1829 x 1524 x 610	29.12	740	38.00	965
727224-12FSDDA	72.00 x 72.00 x 24.00	1829 x 1829 x 610	29.12	740	38.00	965
907224-12FSDDA	90.00 x 72.00 x 24.00	2286 x 1829 x 610	38.12	968	47.00	1194
726036-12FSDDA	72.00 x 60.00 x 36.00	1829 x 1524 x 914	29.12	740	38.00	965



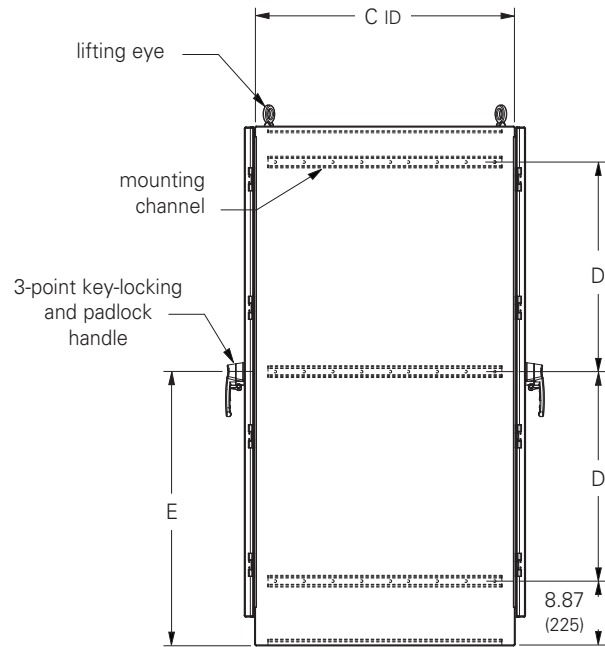
Top View

ID = Inside Dimension



Front View

* From flange opening to bottom of enclosure



Side View

Notes: Two lifting eyes are furnished when C dimension is less than 36.00 (914 mm).
Dimensions are in inches. Millimeters shown are for reference only. Data subject to change without notice.

Free-Standing Enclosure Accessories Type 12 Single-Door Full and Half Panel Illustration Sheet and Catalog Number

Discount Schedule: C2

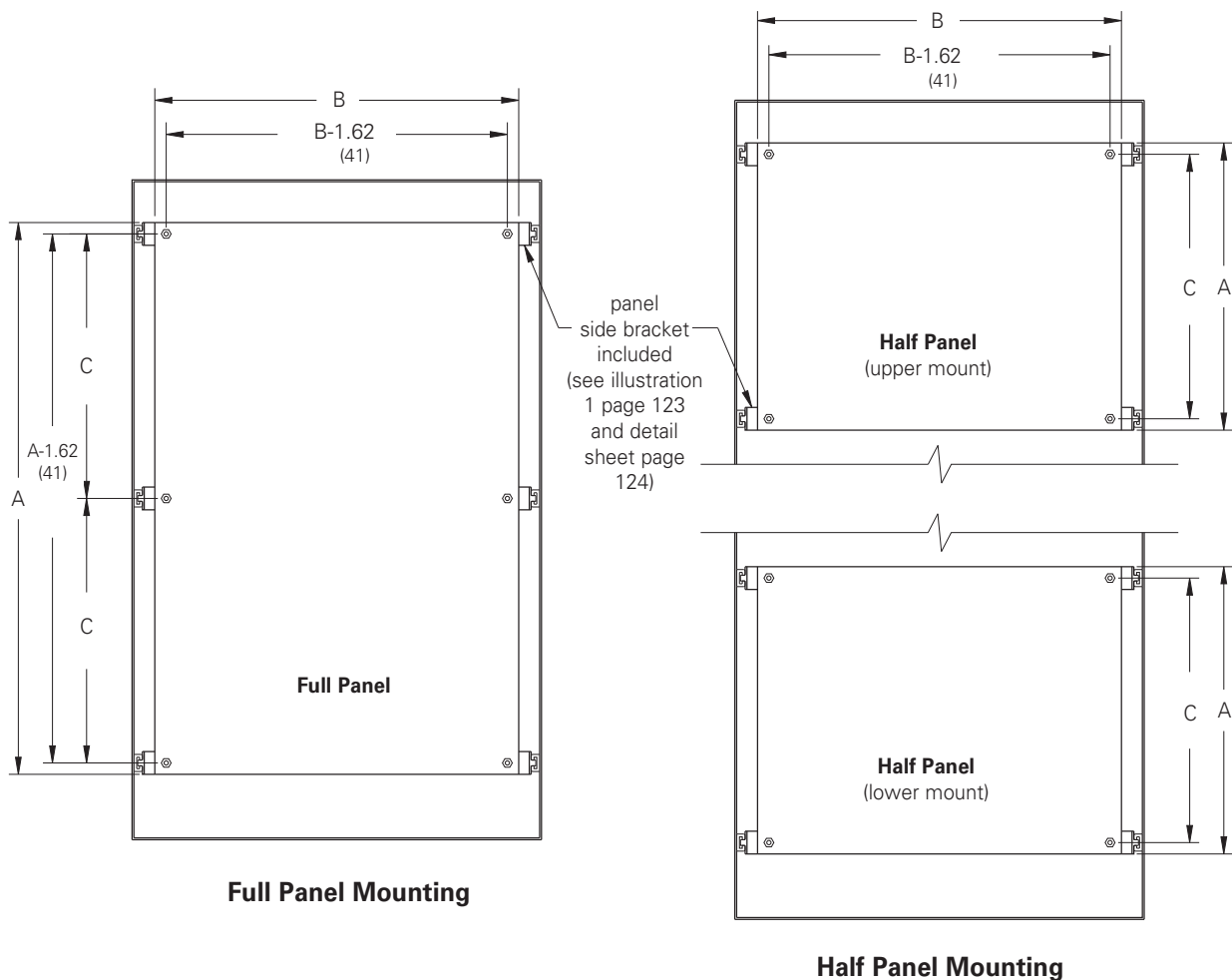
Subclass: DSD

Full Panel (Single-Door)

Panel Catalog Number	Panel Size Height x Width A x B		C		Fits Enclosure Height x Width			
	in.	mm	in.	mm	in.	mm		
AF6024P	47.87	19.87	1216	505	23.12	587	60.00 x 24.00	1524 x 610
AF6036P	47.87	31.87	1216	809	23.12	587	60.00 x 36.00	1524 x 914
AF7224P	59.87	19.87	1521	505	29.12	740	72.00 x 24.00	1829 x 610
AF7230P	59.87	25.87	1521	657	29.12	740	72.00 x 30.00	1829 x 762
AF7236P	59.87	31.87	1521	809	29.12	740	72.00 x 36.00	1829 x 914
AF9024P	77.87	19.87	1978	505	38.12	968	90.00 x 24.00	2286 x 610
AF9036P	77.87	31.87	1978	809	38.12	968	90.00 x 36.00	2286 x 914

Half Panel (Single-Door)

Panel Catalog Number	Panel Size Height x Width A x B		C		Fits Enclosure Height x Width			
	in.	mm	in.	mm	in.	mm		
AF6024HP	24.75	19.87	629	505	23.12	587	60.00 x 24.00	1524 x 610
AF6036HP	24.75	31.87	629	809	23.12	587	60.00 x 36.00	1524 x 914
AF7224HP	30.75	19.87	781	505	29.12	587	72.00 x 24.00	1829 x 610
AF7230HP	30.75	25.87	781	657	29.12	587	72.00 x 30.00	1829 x 762
AF7236HP	30.75	31.87	781	809	29.12	587	72.00 x 36.00	1829 x 914
AF9024HP	39.75	19.87	1010	505	38.12	968	90.00 x 24.00	2286 x 610
AF9036HP	39.75	31.87	1010	809	38.12	968	90.00 x 36.00	2286 x 914



Type 12/13 Panel Encl.

Note: Full and Half panel for single-door, single and dual-access enclosures are (12) gauge steel and furnished with panel side brackets and all hardware necessary for channel and panel mounting. Half Panels can be mounted in either the upper or lower portion of the enclosure. Free standing design permits the panel to adjust along the depth of the enclosure. With dual-access enclosures, Full and Half panels can be mounted back-to-back.

Notes: Dimensions are in inches. Millimeters shown are for reference only. Data subject to change without notice.

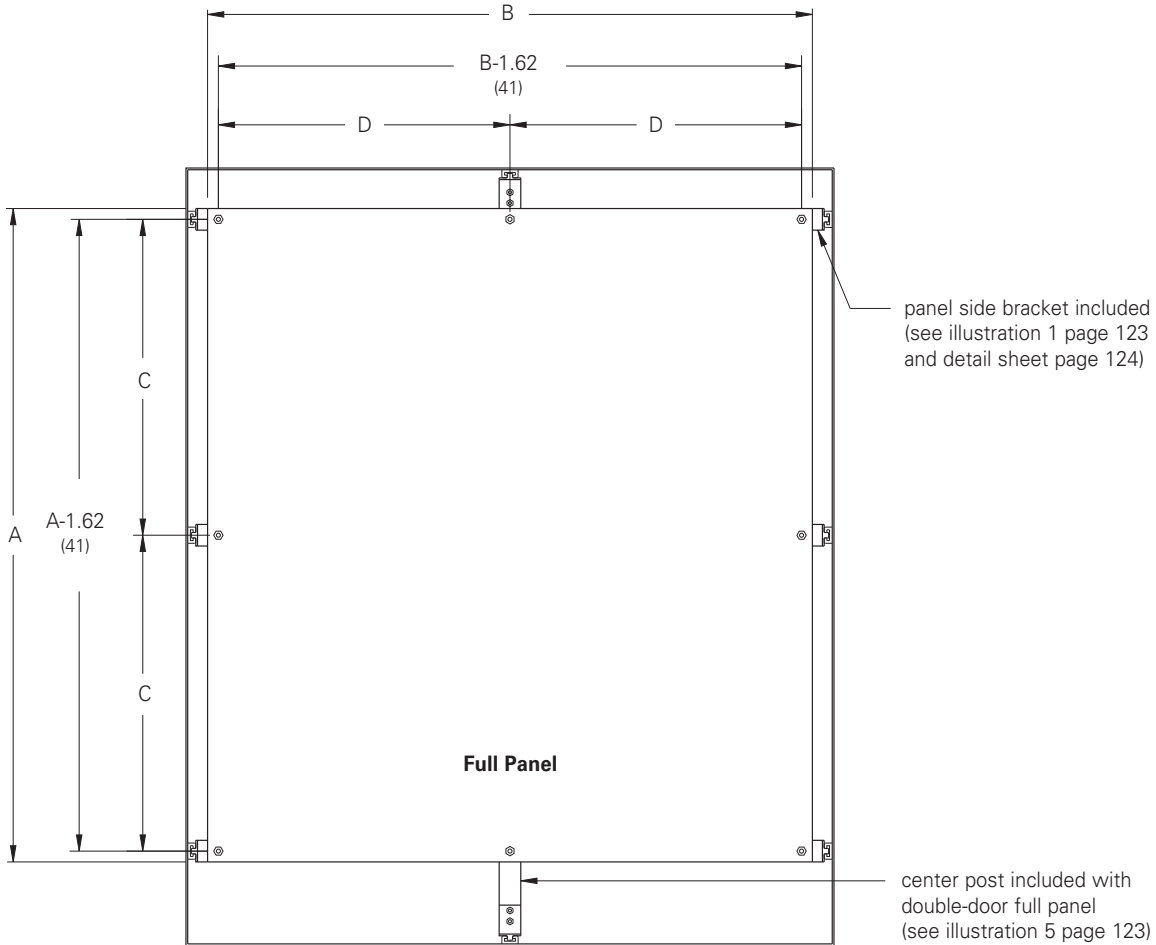
Type 12 / 13 Panel Enclosures

Free-Standing Enclosure Accessories Type 12 Double-Door Full Panel Illustration Sheet and Catalog Number

Discount Schedule: C2
Subclass: DSD

Panel Catalog Number	Panel Size				Fits Enclosure			
	Height x Width A x B		C		D		Height x Width	
	in.	mm	in.	mm	in.	mm	in.	mm
AF6048P	47.87 x 43.87	1216 x 1114	23.12	587	21.12	530	60.00 x 48.00	1524 x 1219
AF6060P	47.87 x 55.87	1216 x 1419	23.12	587	27.12	689	60.00 x 60.00	1524 x 1524
AF7248P	59.87 x 43.87	1521 x 1114	29.12	740	21.12	530	72.00 x 48.00	1829 x 1219
AF7260P	59.87 x 55.87	1521 x 1419	29.12	740	27.12	689	72.00 x 60.00	1829 x 1524
AF7272P	59.87 x 67.87	1521 x 1724	29.12	740	33.12	841	72.00 x 72.00	1829 x 1829
AF9048P	77.87 x 43.87	1978 x 1114	38.12	968	21.12	530	90.00 x 48.00	2286 x 1219
AF9072P	77.87 x 67.87	1978 x 1724	38.12	968	33.12	841	90.00 x 72.00	2286 x 1829

Type 12/13 Panel Encl.



Full Panel Mounting

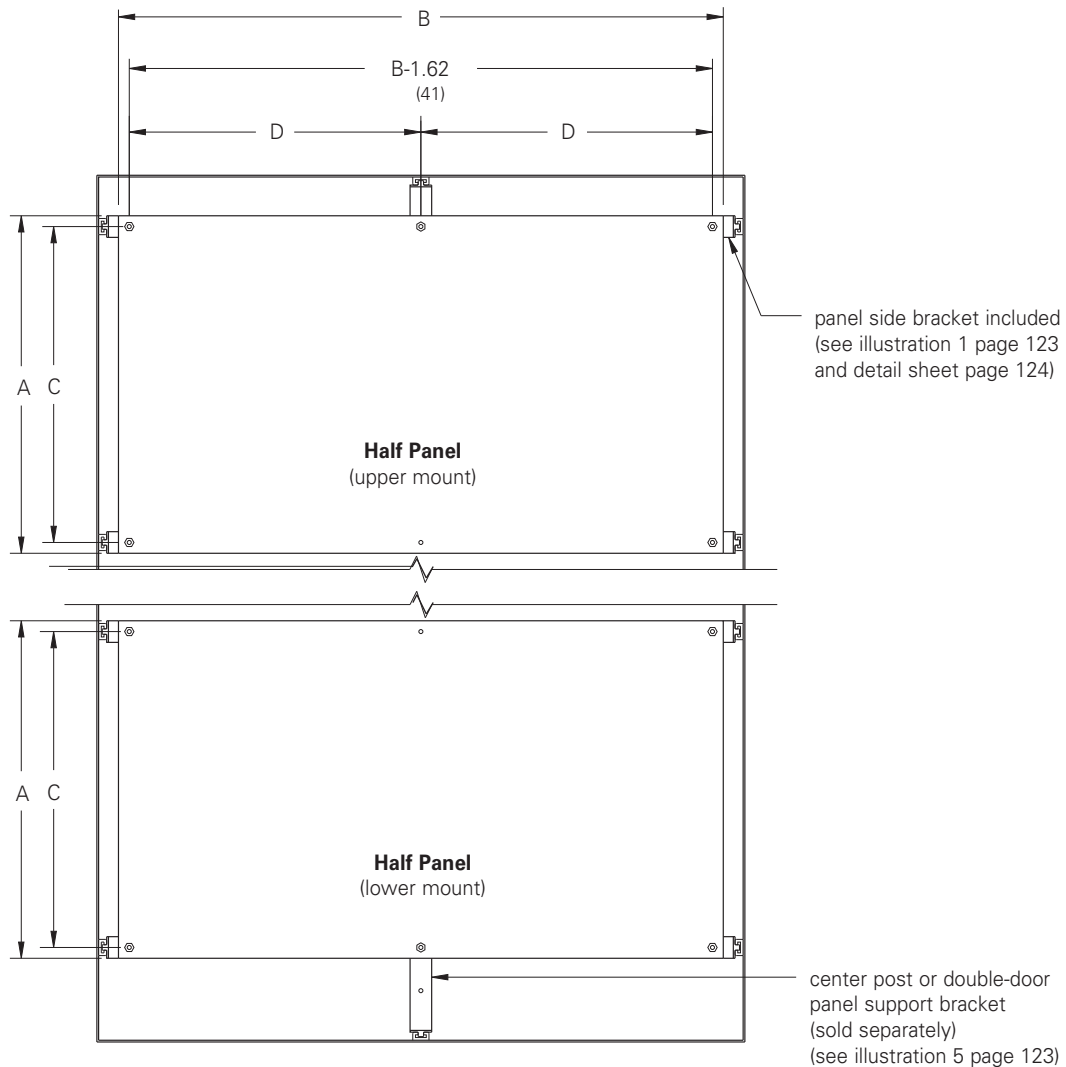
Notes: Full Panel for double-door, single and dual-access enclosures are (10) gauge steel and furnished with Panel Brackets, Center Post assembly, panel handle kit and all hardware necessary for channel and panel mounting. The Center Post assembly offers additional support of panel and equipment. Free-standing design permits the panel to adjust along the depth of the enclosure. With dual-access enclosures, Full and Half Panels can be mounted back-to-back.

Notes: Dimensions are in inches. Millimeters shown are for reference only. Data subject to change without notice.

Free-Standing Enclosure Accessories Type 12 Double-Door Half Panel Illustration Sheet and Catalog Number

Discount Schedule: C2
Subclass: DSD

Panel Catalog Number	Panel Size Height x Width A x B		C		D		Fits Enclosure Height x Width	
	in.	mm	in.	mm	in.	mm	in.	mm
	AF6048HP	24.75x43.87	629x1114	23.12	587	21.12	536	60.00x48.00
AF7248HP	30.75x43.87	781x1114	29.12	740	21.12	536	72.00x48.00	1829x1219
AF7260HP	30.75x55.87	781x1419	29.12	740	7.12	181	72.00x60.00	1829x1524
AF7272HP	30.75x67.87	781x1724	29.12	740	33.12	841	72.00x72.00	1829x1829
AF9048HP	39.75x43.87	1010x1114	38.12	968	21.12	536	90.00x48.00	2286x1219
AF9072HP	39.85x67.87	1012x1724	38.12	968	33.12	841	90.00x72.00	2286x1829



Half Panel Mounting

Note: Half panel for double-door, single and dual-access enclosures are (12) gauge steel and furnished with Panel Brackets and all hardware necessary for channel and panel mounting. **A Center Post assembly or a double-door panel support bracket (catalog number AFSUP2) for additional support of the panel is optional and sold separately.** Free-standing design permits the panel to adjust along the depth of the enclosure. With dual-access enclosures, Full and Half Panels can be mounted back-to-back.

Notes: Dimensions are in inches. Millimeters shown are for reference only. Data subject to change without notice.

Type 12 / 13 Panel Enclosures

Free-Standing Enclosure Accessories Type 12 Side Panel And Center Post Illustration Sheet and Catalog Number

Discount Schedule: C2
Subclass: DSD

Side Panel

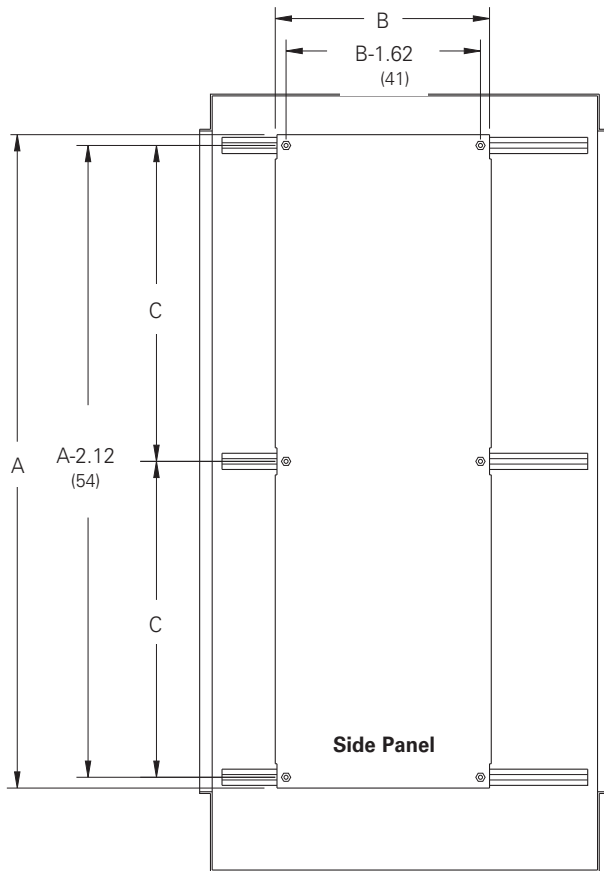
Panel Catalog Number	Panel Size Height x Width A x B		C		Fits Enclosure Height		Depth*	
	in.	mm	in.	mm	in.	mm	in.	mm
AF6018SP	48.37 x 13.87	1229 x 340	23.12	587	60.00	1524	18.00	457
AF7218SP	60.37 x 13.87	1533 x 340	29.12	740	72.00	1829	18.00	457
AF7224SP	60.37 x 19.87	1533 x 505	29.12	740	72.00	1829	24.00	610
AF9018SP	78.37 x 13.87	1991 x 340	38.12	968	90.00	2286	18.00	457
AF9024SP	78.37 x 19.87	1991 x 505	38.12	968	90.00	2286	24.00	457

Center Post

Center Post Catalog Number	A		B		Fits Enclosure Height	
	in.	mm	in.	mm	in.	mm
AF60CPS	58.37	1483	23.12	587	60.00	1524
AF72CPS	70.37	1787	29.12	740	72.00	1829
AF90CPS	88.37	2245	38.12	968	90.00	2286

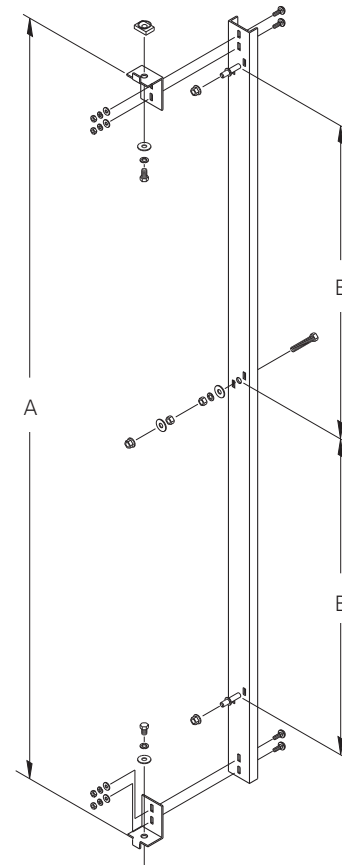
* Back panels restrict the movement of side panels and will prohibit mounting in some depths. See detail sheet for back panel spacing.

Type 12/13 Panel Encl.



Side Panel Mounting

Side Panels are (12) gauge steel and furnished with hardware necessary for channel mounting. They will fit any width enclosure and are adjustable along its depth, however, when Full or Half Panels are installed, movement will be restricted and with some depths make side mounting prohibitive.



Center Post Assembly

Center Post assembly is furnished with all double-door Full Panels and includes hardware necessary for channel and panel mounting. The Center Post is optional on double-door Half Panels and Swing Panel mounting and must be ordered separately. It attaches to the top and bottom channels making it adjustable along the depth of the enclosure. See illustration #5 on the Detail Sheet-page 123.

Notes: Dimensions are in inches. Millimeters shown are for reference only. Data subject to change without notice.

Type 12 / 13 Panel Enclosures

Free-Standing Enclosure Accessories Type 12 Single-Door Full and Half Swing Panel Illustration Sheet and Catalog Number

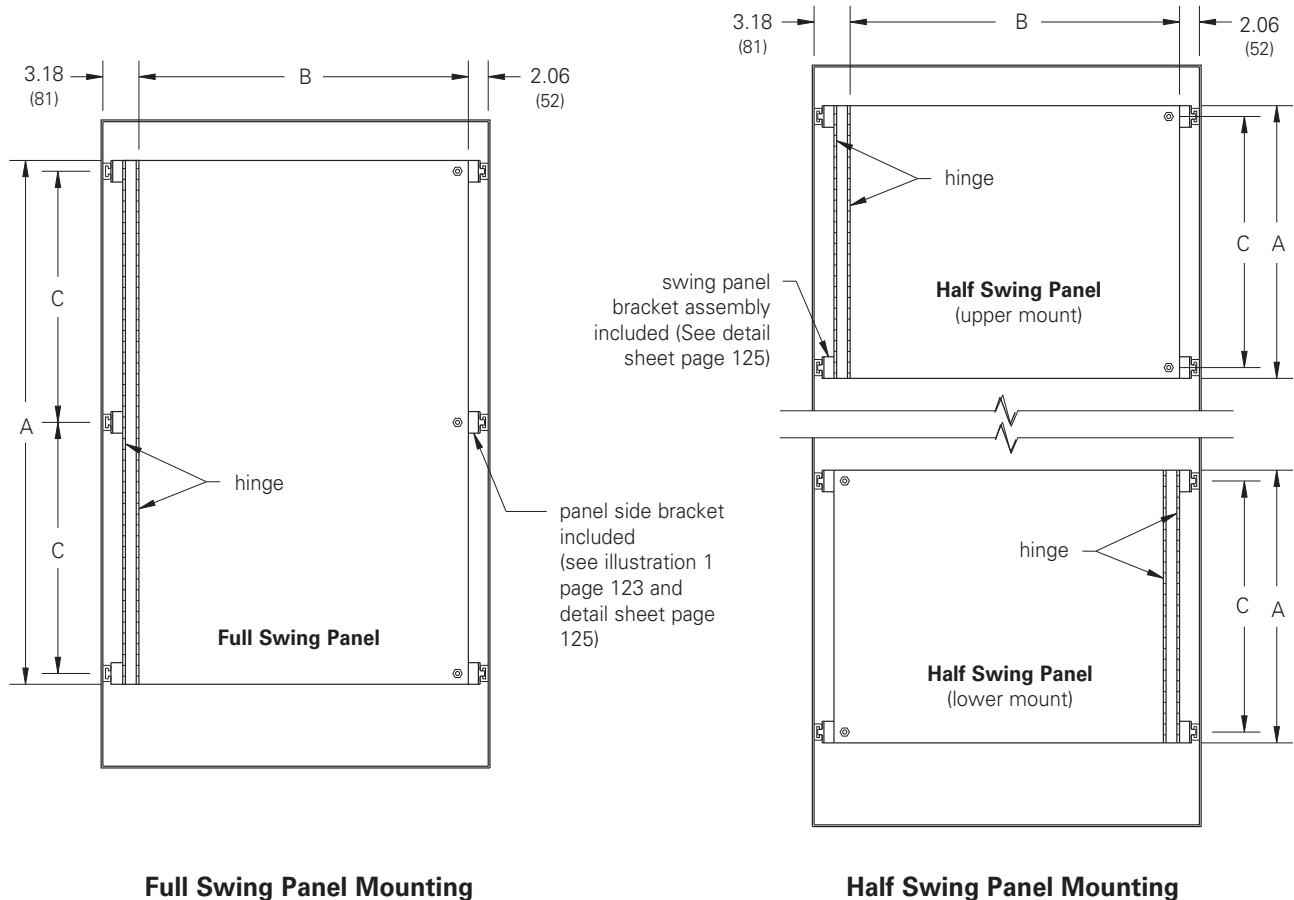
Discount Schedule: C2
Subclass: DSD

Full Swing Panel (Single-Door)

Panel Catalog Number	Panel Size Height x Width A x B		C		Fits Enclosure Height x Width			
	in.	mm	in.	mm	in.	mm		
AF6024SWP	47.87	18.75	1216	476	23.12	587	60.00 x 24.00	1524 x 610
AF6036SWP	47.87	30.75	1216	781	23.12	587	60.00 x 36.00	1524 x 914
AF7224SWP	59.87	18.75	1521	476	29.12	740	72.00 x 24.00	1829 x 610
AF7230SWP	59.87	24.75	1521	629	29.12	740	72.00 x 30.00	1829 x 762
AF7236SWP	59.87	30.75	1521	781	29.12	740	72.00 x 36.00	1829 x 914
AF9024SWP	77.87	18.75	1978	476	38.12	968	90.00 x 24.00	2286 x 610
AF9036SWP	77.87	30.75	1978	781	38.12	968	90.00 x 36.00	2286 x 914

Half Swing Panel (Single-Door)

Panel Catalog Number	Panel Size Height x Width A x B		C		Fits Enclosure Height x Width			
	in.	mm	in.	mm	in.	mm		
AF6024HWP	24.75	18.75	629	476	23.12	587	60.00 x 24.00	1524 x 610
AF6036HWP	24.75	30.75	629	781	23.12	587	60.00 x 36.00	1524 x 914
AF7224HWP	30.75	18.75	781	476	29.12	740	72.00 x 24.00	1829 x 610
AF7230HWP	30.75	24.75	781	629	29.12	740	72.00 x 30.00	1829 x 762
AF7236HWP	30.75	30.75	781	781	29.12	740	72.00 x 36.00	1829 x 914
AF9024HWP	39.75	18.75	1010	476	38.12	968	90.00 x 24.00	2286 x 610
AF9036HWP	39.75	30.75	1010	781	38.12	968	90.00 x 36.00	2286 x 914



Full Swing Panel Mounting

Half Swing Panel Mounting

Note: Full Swing Panel and Half Swing Panel for single-door, single and dual-access enclosures are (12) gauge steel, have a dual hinge swing panel bracket and furnished with Panel Brackets and all hardware necessary for channel and panel mounting. Panels can be installed so they hinge on either the left or right side. In addition, Half Panels can be mounted in either the upper or lower portion of the enclosure. Free-standing design permits the panel to be adjustable along the depth of the enclosure. The dual hinge will allow the inner panel to swing completely out of the door opening when within 5.50 inches of the front. With dual-access enclosures, Full and Half Swing Panels can be mounted back-to-back.

Notes: Dimensions are in inches. Millimeters shown are for reference only. Data subject to change without notice.

Type 12 / 13 Panel Enclosures

Free-Standing Enclosure Accessories Type 12 Double-Door Full and Half Swing Panel Illustration Sheet and Catalog Number

Discount Schedule: C2
Subclass: DSD

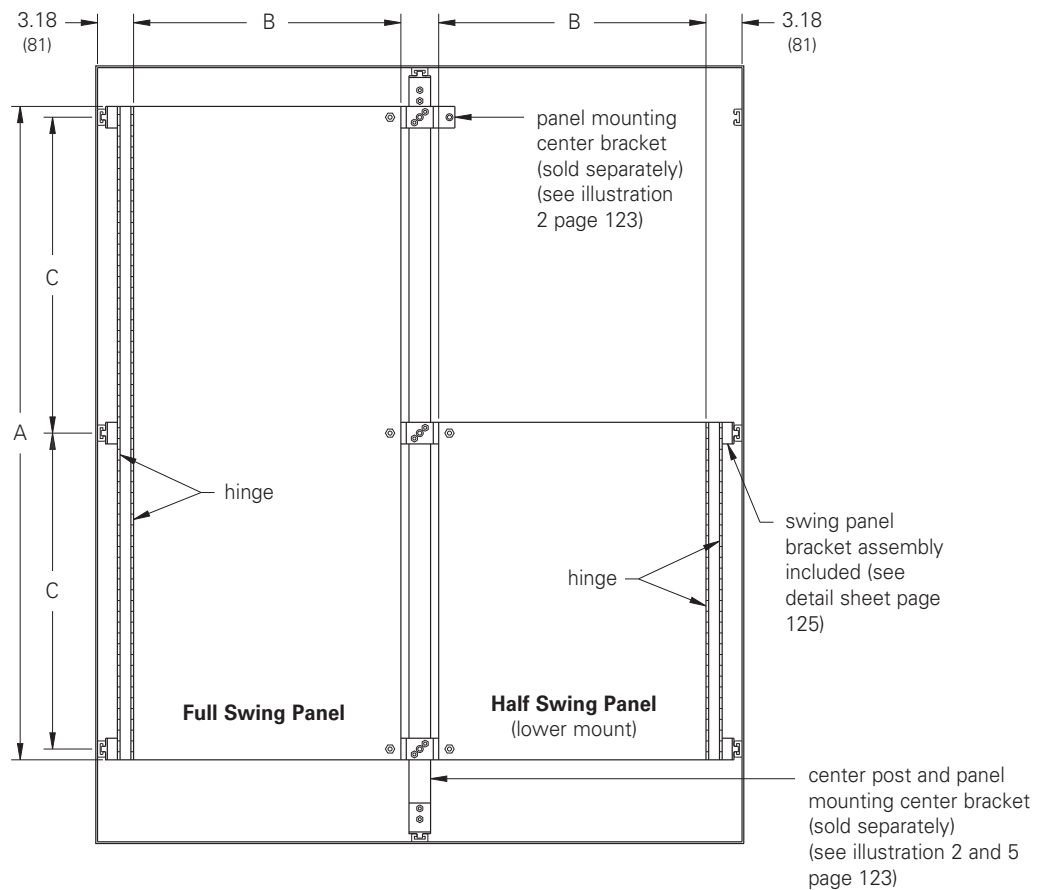
Full Swing Panel (Single-Door)

Panel Catalog Number	Panel Size Height x Width A x B		C		Fits Enclosure Height x Width	
	in.	mm	in.	mm	in.	mm
AF6024SWP	47.87 x 18.75	1216 x 476	23.12	587	60.00 x 48.00	1524 x 1219
AF7224SWP	59.87 x 18.75	1521 x 476	29.12	740	72.00 x 48.00	1829 x 1219
AF7230SWP	59.87 x 24.75	1521 x 629	29.12	740	72.00 x 60.00	1829 x 1524
AF7236SWP	59.87 x 30.75	1521 x 781	29.12	740	72.00 x 72.00	1829 x 1829
AF9024SWP	77.87 x 18.75	1978 x 781	38.12	968	90.00 x 48.00	2286 x 1219
AF9036SWP	77.87 x 30.75	1978 x 781	38.12	968	90.00 x 72.00	2286 x 1829

Half Swing Panel (Single-Door)

Panel Catalog Number	Panel Size Height x Width A x B		C		Fits Enclosure Height x Width	
	in.	mm	in.	mm	in.	mm
AF6024HSWP	24.75 x 18.75	629 x 476	23.12	587	60.00 x 48.00	1524 x 1219
AF7224HSWP	30.75 x 18.75	781 x 476	29.12	740	72.00 x 48.00	1829 x 1219
AF7230HSWP	30.75 x 24.75	781 x 629	29.12	740	72.00 x 60.00	1829 x 1524
AF7236HSWP	30.75 x 30.75	781 x 781	29.12	740	72.00 x 72.00	1829 x 1829
AF9024HSWP	39.75 x 18.75	1010 x 476	38.12	968	90.00 x 48.00	2286 x 1219
AF9036HSWP	39.75 x 30.75	1010 x 781	38.12	968	90.00 x 72.00	2286 x 1829

A Center Post assembly and Center Bracket must be ordered separately.



Swing Panel Mounting

Note: Full Swing Panel and Half Swing Panel for double-door, single and dual-access enclosures are (12) gauge steel, have a dual hinge swing panel bracket, and furnished with hardware necessary for side channel mounting. **A Center Post assembly and Center Bracket must be ordered separately.** Panels can be installed so they hinge either on the left or right side. In addition, Half Panels can be mounted in either the upper or lower portion of the enclosure. Free-standing design permits the panel to adjust along the depth of the enclosure. The dual hinge will allow the inner panel to swing completely out of the door opening when within 5.50 inches of the front. With dual-access enclosures, Full and Half Swing Panels can be mounted back-to-back.

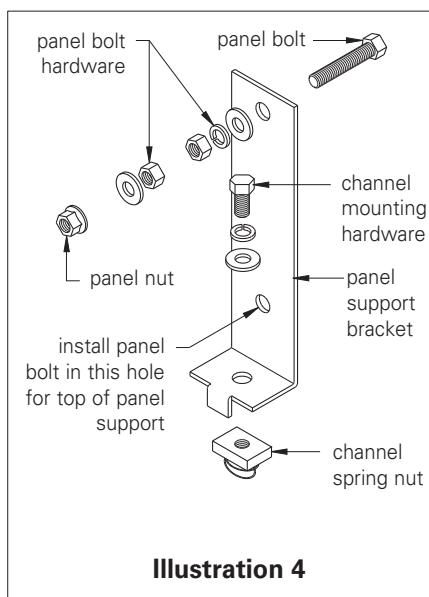
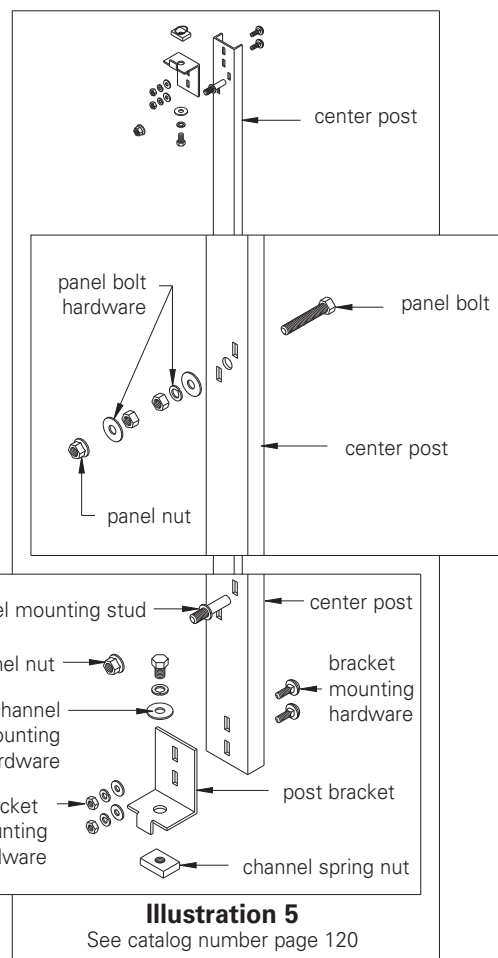
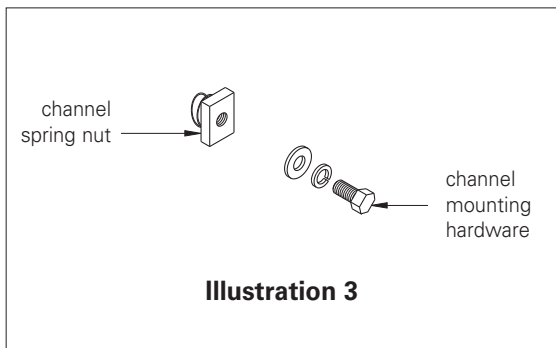
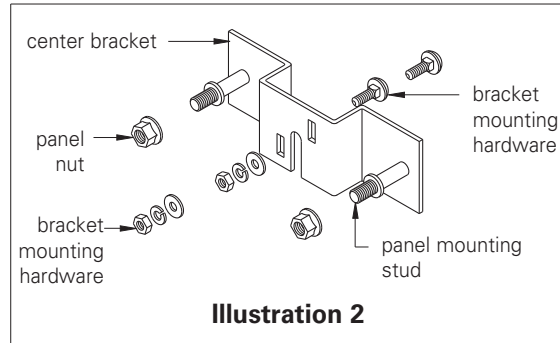
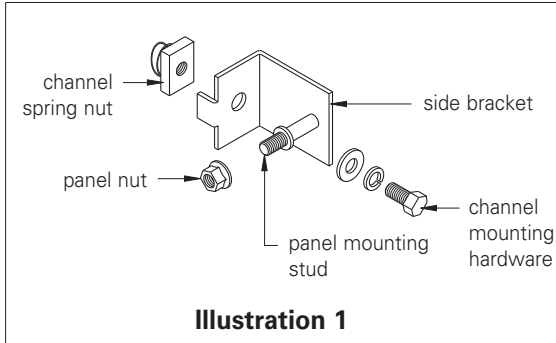
Notes: Dimensions are in inches. Millimeters shown are for reference only. Data subject to change without notice.

Free-Standing Enclosure Accessories Type 12 Miscellaneous Accessories Illustration Sheet and Catalog Number

Discount Schedule: C2
Subclass: D50

Miscellaneous Accessories

Catalog Number	Description	Illustration	Quantity
AFSBRKT1	Panel mounting side bracket	1	1
AFCBRKT3	Panel mounting center bracket	2	3
AFCMH3	Channel mounting hardware	3	3
AFSUP2	Double-door panel support bracket	4	2



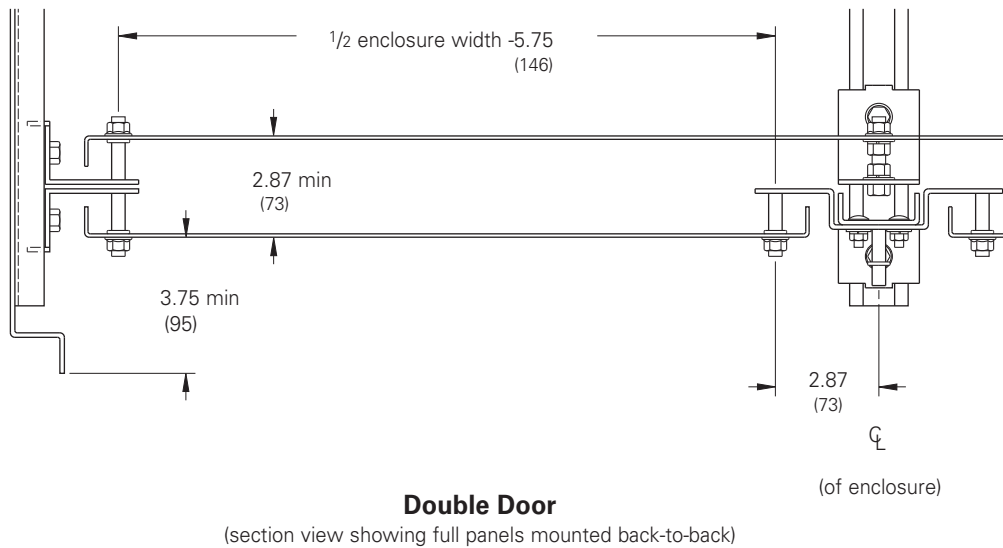
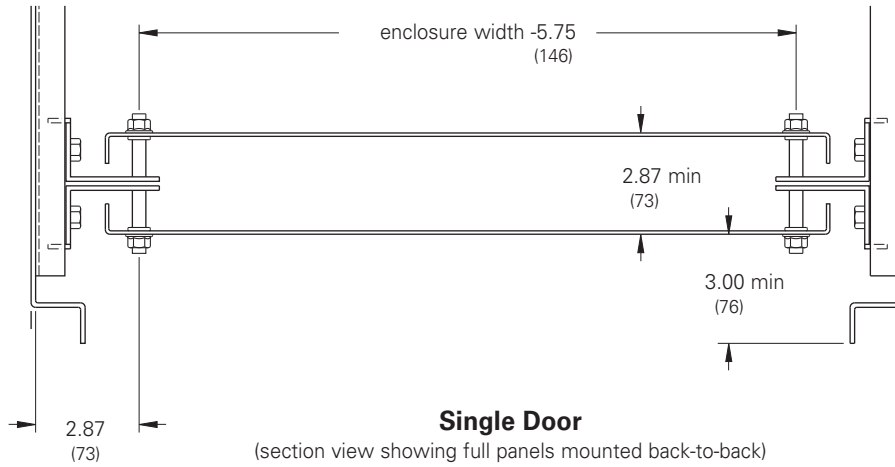
Notes: Dimensions are in inches. Millimeters shown are for reference only. Data subject to change without notice.

Type 12 / 13 Panel Enclosures

Free-Standing Enclosure Details Type 12 Panel and Enclosure Detail Sheet

Discount Schedule: C2
Subclass: DSO

Type 12/13 Panel Encl.



Notes: Dimensions are in inches. Millimeters shown are for reference only. Data subject to change without notice.

Free-Standing Enclosure Details

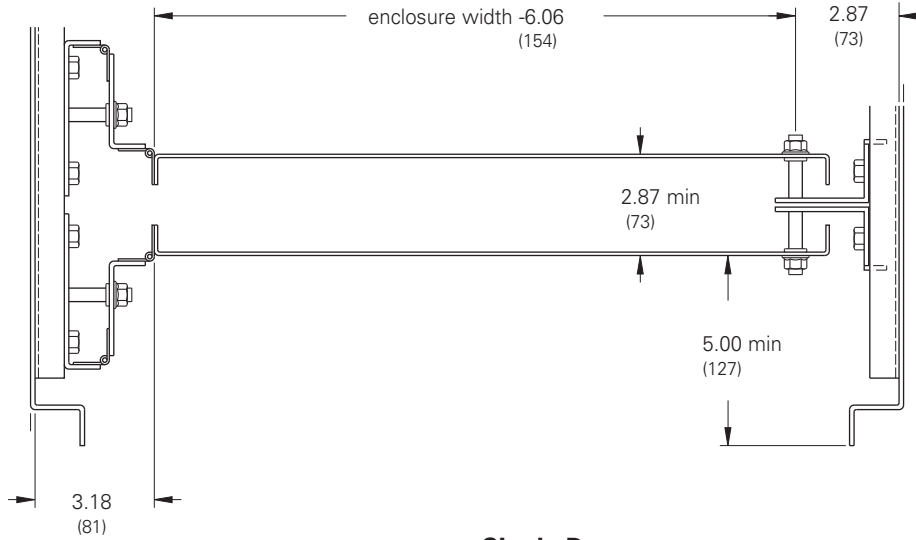
Type 12

Swing Panel and Enclosure

Detail Sheet

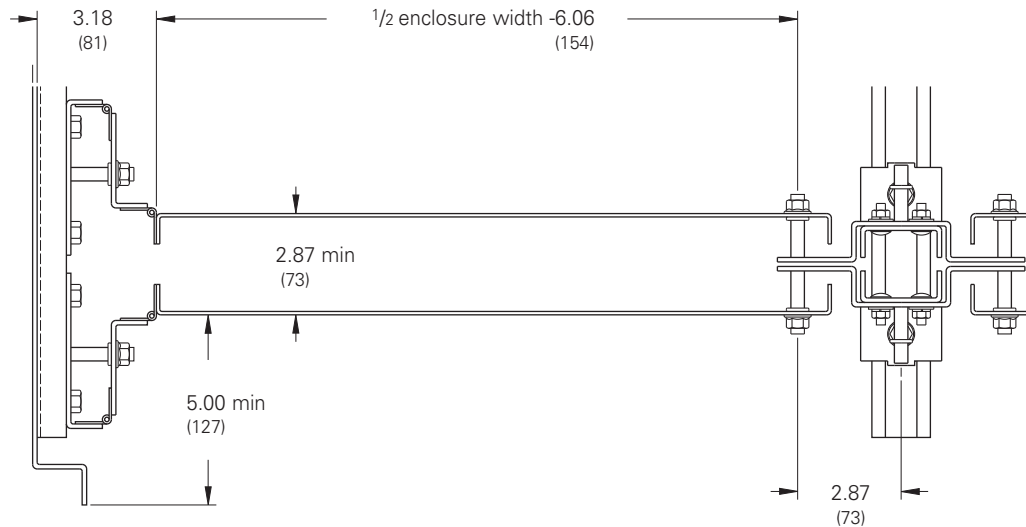
Discount Schedule: C2

Subclass: DSD



Single Door

(section view showing swing panels mounted back-to-back)



Double Door

(section view showing swing panels mounted back-to-back)

⌀
(of enclosure)

Notes: Dimensions are in inches. Millimeters shown are for reference only. Data subject to change without notice.

Type 12 / 13 Panel Enclosures

Ground-Mount Enclosures Type 12 Modular Free-Standing with 3-Point Locking Data Sheet

Type 12/13 Panel Encl.



Construction

- Enclosure and door are fabricated from (12) gauge steel
- All continuous welded seams are finished smooth
- Doors are secured to the body with removable concealed hinges and a center locating 3-point key-locking and padlock handle mechanism
- Modern bevel profile on hinge side of enclosure door
- Slave doors cannot open without activation of mechanical interlock but can close in any order
- Double-door units have a removable center post
- Doors have an oil-resistant gasket
- Ground stud provided on doors and body
- Print pocket provided
- Modular design and flanged side opening provide strength and a variety of mounting arrangements
- Heavy steel stiffeners welded across the back provide enclosure rigidity
- Removable panels mounted on .375-16 collar studs and panel supports are furnished
- Large lifting eyebolts are supplied

Discount Schedule: C2

Subclass: DNO

Application

- Houses electrical controls and instruments
- Protects against circulating dust, falling dirt and dripping non-corrosive liquids

Standards

- UL 508A listed, Type 12
- CSA C22.2 No.94 certified, Type 12
- Conforms to NEMA standard for Type 12

Finish

- Wash and phosphate undercoat
- ANSI 61 gray polyester powder finish
- Panels have a white polyester powder finish

Accessories

- Channel mounting hardware
- Blank adapter plates
- Operator adapters
- Touch-up paint
- Replacement handle, BD-PKHB (see page 429)
- See Accessories section

Important Note

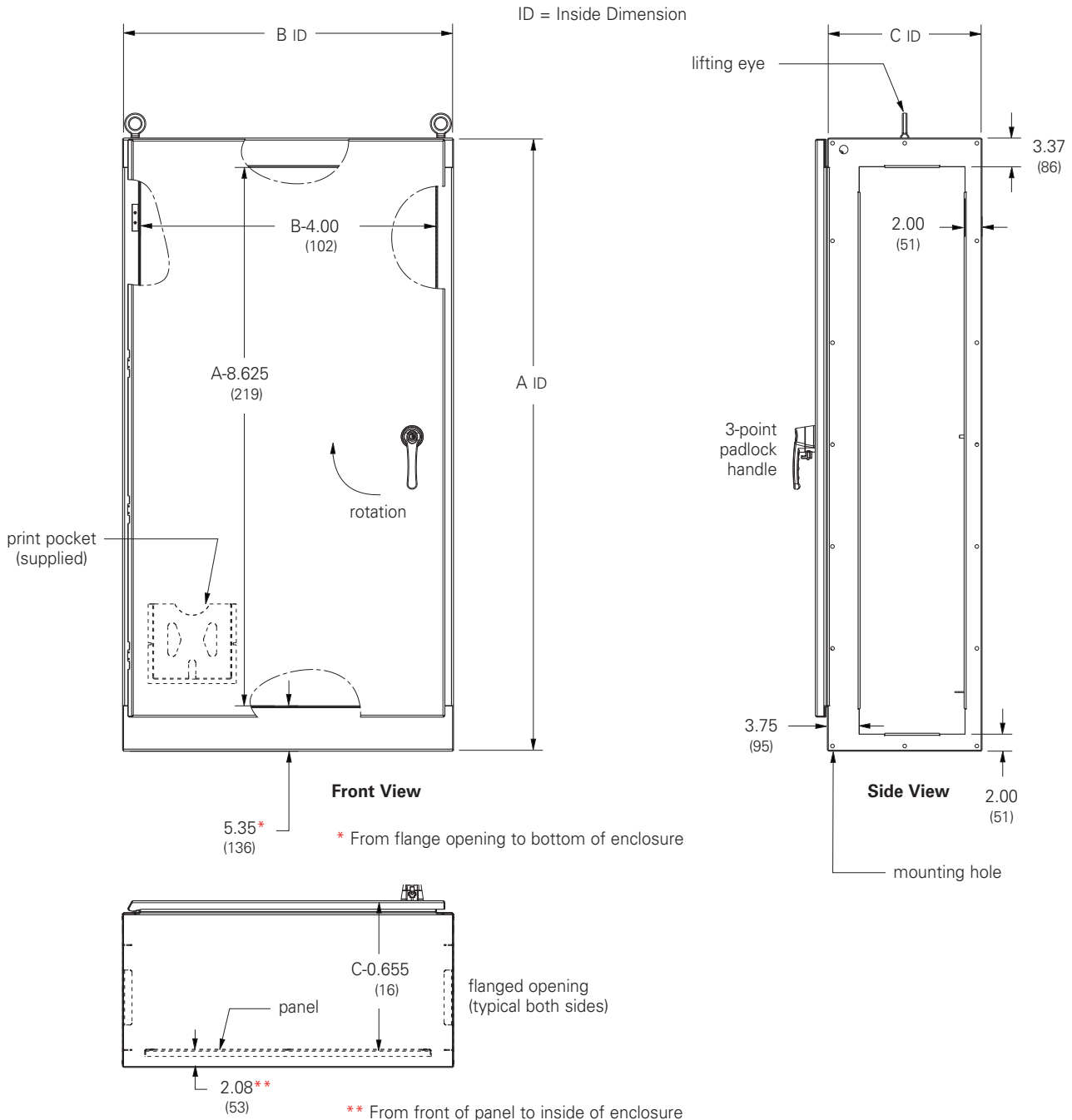
When ordering modular enclosure systems, be sure to include all the necessary components.

1. Gasket kits and/or end plates (see page 129)

Notes: We can provide special sizes, finishes and other modifications. Consult the factory for your special requirements.

Ground-Mount Enclosures Type 12 Modular Single-Door Free-Standing with 3-Point Locking Illustration Sheet and Catalog Number

Enclosure Catalog Number	Enclosure Size Height x Width x Depth		Panel Size	
	A x B x C		Height	Width
	in.	mm	in.	mm
M723818-12FS	72.00 x 38.75 x 18.00	1829 x 984 x 457	60.00 x 33.75	1524 x 857
M843818-12FS	84.00 x 38.75 x 18.00	2134 x 984 x 457	72.00 x 33.75	1829 x 857
M843824-12FS	84.00 x 38.75 x 24.00	2134 x 984 x 610	72.00 x 33.75	1829 x 857



Type 12/13 Panel Encl.

Notes: Four lifting eyes are furnished when C dimension is 24 (610 mm). Dimensions are in inches. Millimeters shown are for reference only. Data subject to change without notice.

Type 12 / 13 Panel Enclosures

Ground-Mount Enclosures

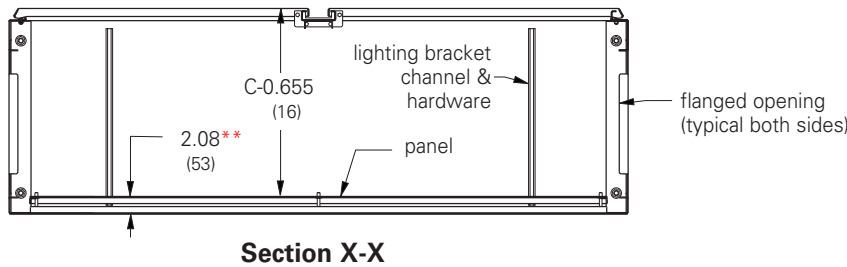
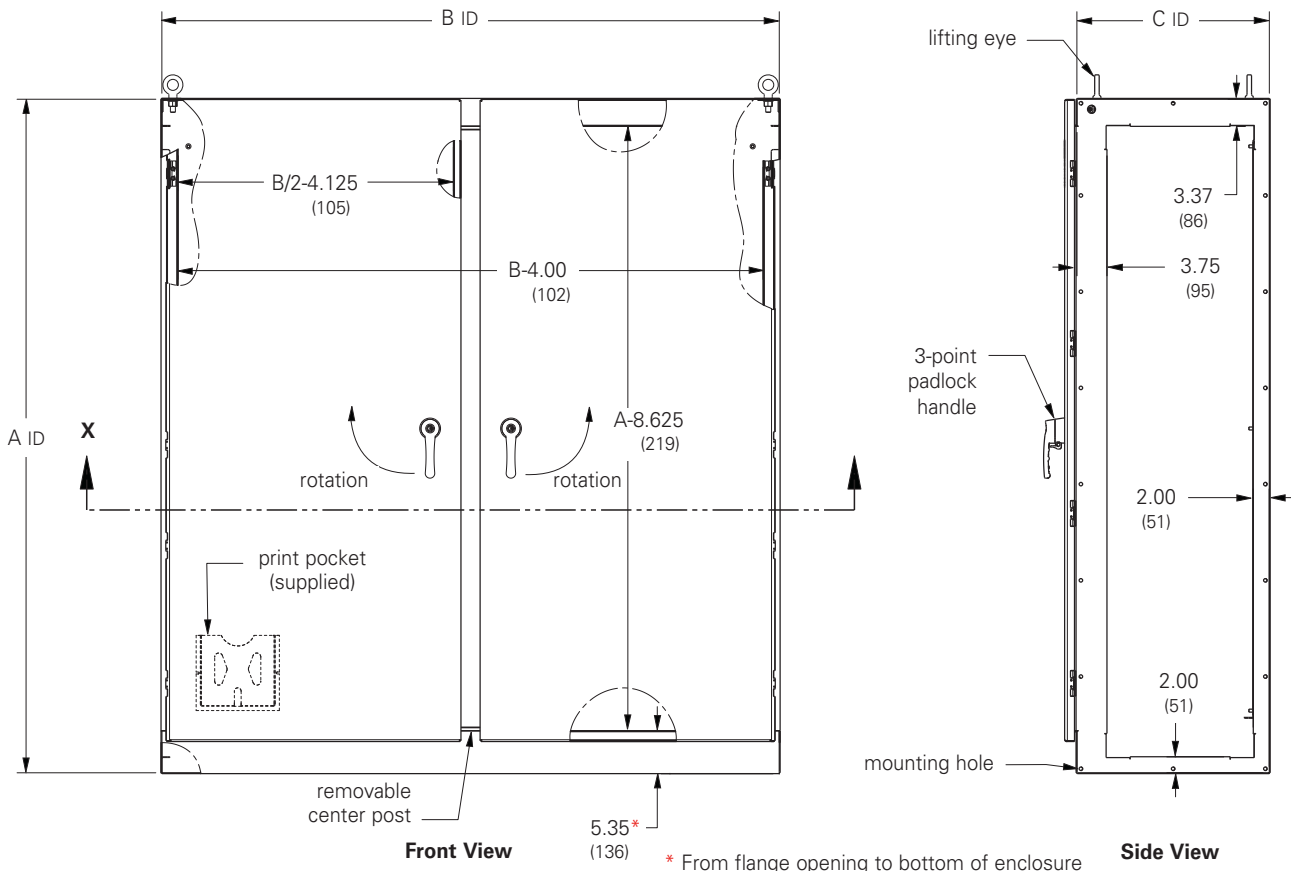
Type 12 Double-Door Modular Free-Standing with 3-Point Locking

Illustration Sheet and Catalog Number

Enclosure Catalog Number	Enclosure Size Height x Width x Depth A x B x C		Panel Size Height x Width	
	in.	mm	in.	mm
M727718-12FS	72.00 x 77.00 x 18.00	1829 x 1956 x 457	60.00 x 72.00	1524 x 1829
M847718-12FS	84.00 x 77.00 x 18.00	2134 x 1956 x 457	72.00 x 72.00	1829 x 1829
M847724-12FS	84.00 x 77.00 x 24.00	2134 x 1956 x 457	72.00 x 72.00	1829 x 1829

ID = Inside Dimension

Type 12/13 Panel Encl.

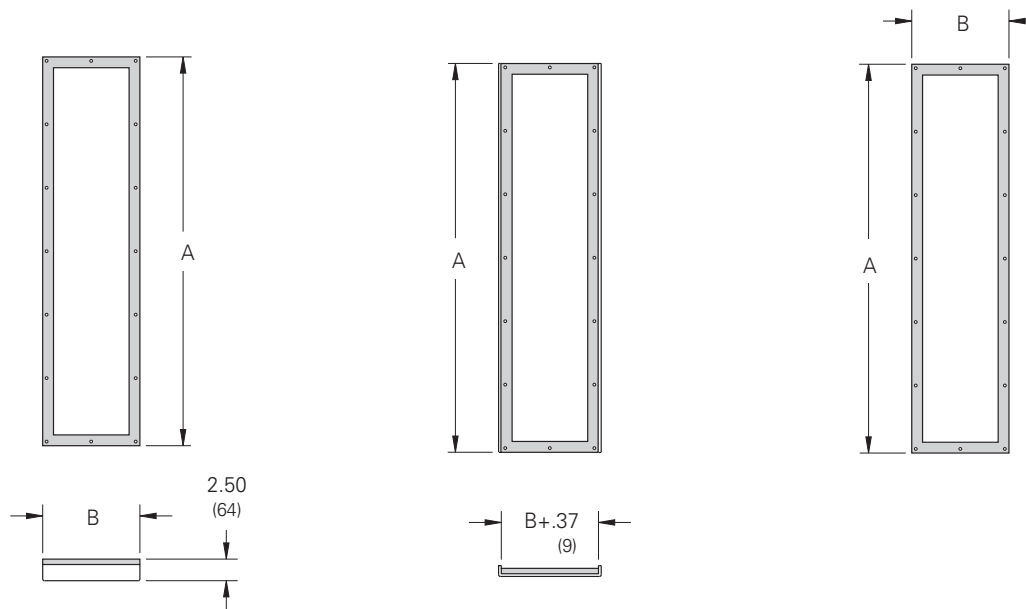


Notes: Two lifting eyes are furnished when C dimension is 18 (457 mm). Dimensions are in inches. Millimeters shown are for reference only. Data subject to change without notice.

Modular Free-Standing Enclosure Accessories Type 12 Illustration Sheet and Catalog Number

Modular Accessories

Catalog Number	Size				Fits Enclosure			
	A		B		H x D			
	in.	mm	in.	mm	in.	mm	in.	mm
End Plate								
M7218-12FEK	72.00	1829	18.00	457	72.00	1829	18.00	457
M8418-12FEK	84.00	2134	18.00	457	84.00	2134	18.00	457
M8424-12FEK	84.00	2134	24.00	610	84.00	2134	24.00	610
Flat End Plate/Barrier								
M7218-12FBK	72.00	1829	18.25	464	72.00	1829	18.00	457
M8418-12FBK	84.00	2134	18.25	464	84.00	2134	18.00	457
M8424-12FBK	84.00	2134	24.25	464	84.00	2134	24.00	610
Gasket Kit								
M7218-12FGK	72.00	1829	18.00	457	72.00	1829	18.00	457
M8418-12FGK	84.00	2134	18.00	457	84.00	2134	18.00	457
M8424-12FGK	84.00	2134	24.00	610	84.00	2134	24.00	610



End Plate

Formed end plate and gasket used to seal open end of Modular enclosure. Includes: End Plate, Gasket & Hardware.

Flat End Plate

Flat end plate and gasket used to seal open end of Modular enclosure. Also can serve as a barrier when additional gasket is used. Includes: Flat End Plate, Gasket & Hardware

Gasket Kit

Pre-cut and pre-punched high density poron gasket is required for sealing barrier to additional modular enclosures when ganging. Includes: Gasket & Hardware.

Notes: Dimensions are in inches. Millimeters shown are for reference only. Data subject to change without notice.

Type 12 / 13 Panel Enclosures

Ground-Mount Enclosures Type 12 Multi-Door Free-Standing with 3-Point Locking Data Sheet



Type 12/13 Panel Encl.

Application

- Houses electrical controls and instruments
- Protects against circulating dust, falling dirt and dripping non-corrosive liquids

Standards

- UL 508A listed, Type 12
- CSA C22.2 No.94 certified, Type 12
- Conforms to NEMA standard for Type 12

Accessories

- Channel mounting hardware
- Touch-up paint
- Replacement handle, BD-PKHB, (see page 429)
- See Accessories section

Finish

- Wash and phosphate undercoat
- ANSI 61 gray polyester powder finish

Construction

- Enclosure body (10) gauge and doors (12) gauge are fabricated from steel
- All continuous welded seams are finished smooth
- Doors are secured to the body with removable concealed hinges and a center locating 3-point key-locking and padlock handle mechanism
- Modern bevel profile on hinge side of enclosure doors
- Double-door sections close right over left with no center post for complete access
- Right side door provides a mechanical interlock and serves as a master door
- Slave doors cannot open without activating mechanical interlock but can close in any order
- Doors have an oil-resistant gasket
- Ground stud provided on doors and body
- Print pockets provided
- Heavy steel stiffeners welded across the back provide enclosure rigidity
- Lighting mounting channel provided
- Removable panels mounted on .375-16 collar studs and panel supports are furnished behind each door
- Large lifting eye-bolts are supplied
- Three styles of enclosure construction:
 1. Three-door: single and double-door section
 2. Four-door: (2) double door sections
 3. Five-door: single and (2) double-door sections
- Panels have a white enamel finish

Discount Schedule: C2

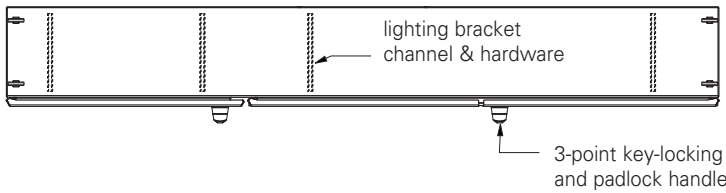
Subclass: DMM

Notes: We can provide special sizes, finishes and other modifications. Consult the factory for your special requirements.

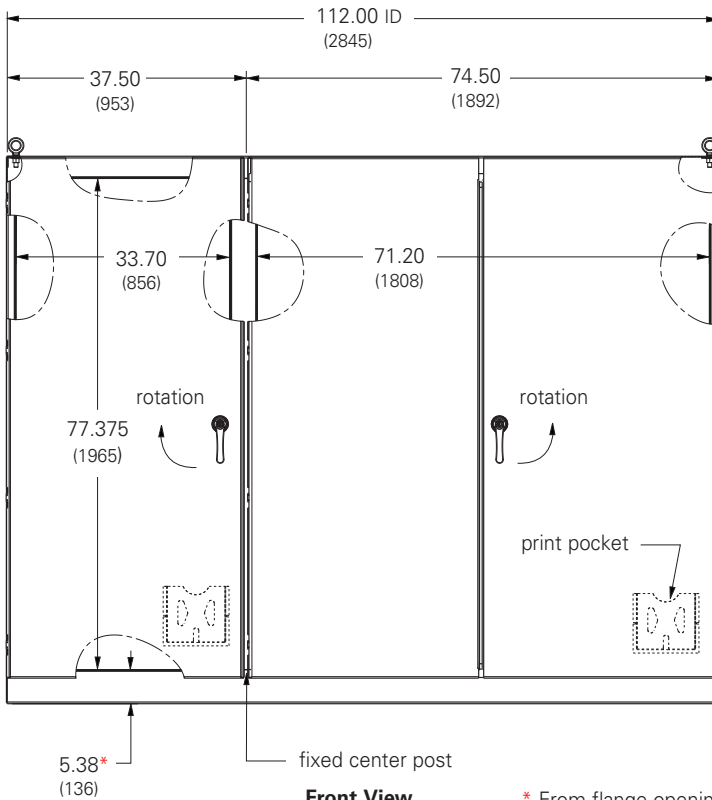
Ground-Mount Enclosures Type 12 Three-Door Free-Standing with 3-Point Locking Illustration Sheet and Catalog Number

Enclosure Catalog Number	Enclosure Size		Panel A Size		Panel B Size		
	Height in.	Width x Depth mm	Height in.	Width mm	Height in.	Width mm	
8611214-12FS	86.00	112.00 x 14.00	78.00	2184 x 2845 x 356	78.00	838	1981 x 1778

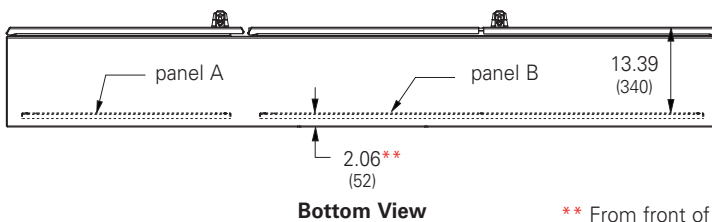
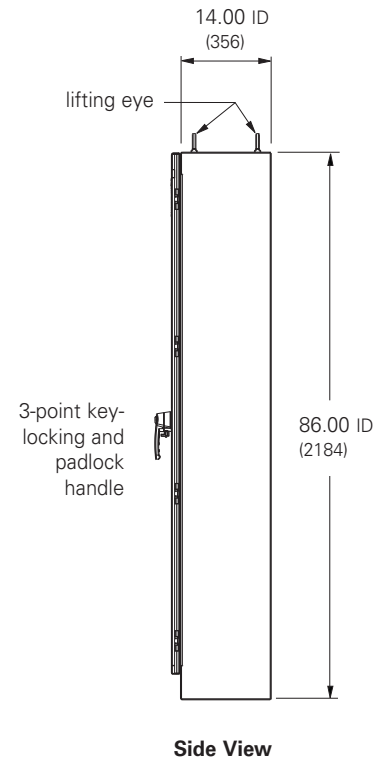
Top View



ID = Inside Dimension



* From flange opening to bottom of enclosure



** From front of panel to inside of enclosure

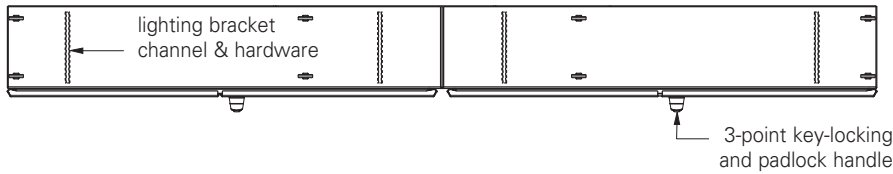
Notes: Dimensions are in inches. Millimeters shown are for reference only. Data subject to change without notice.

Type 12 / 13 Panel Enclosures

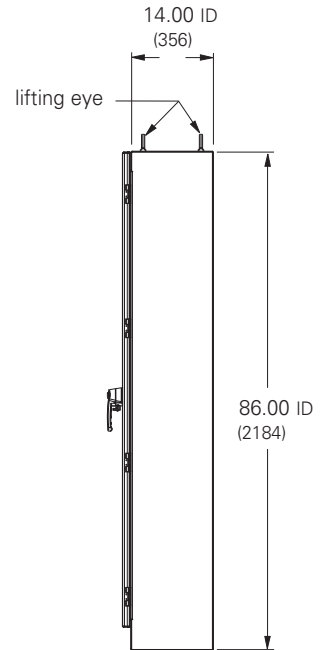
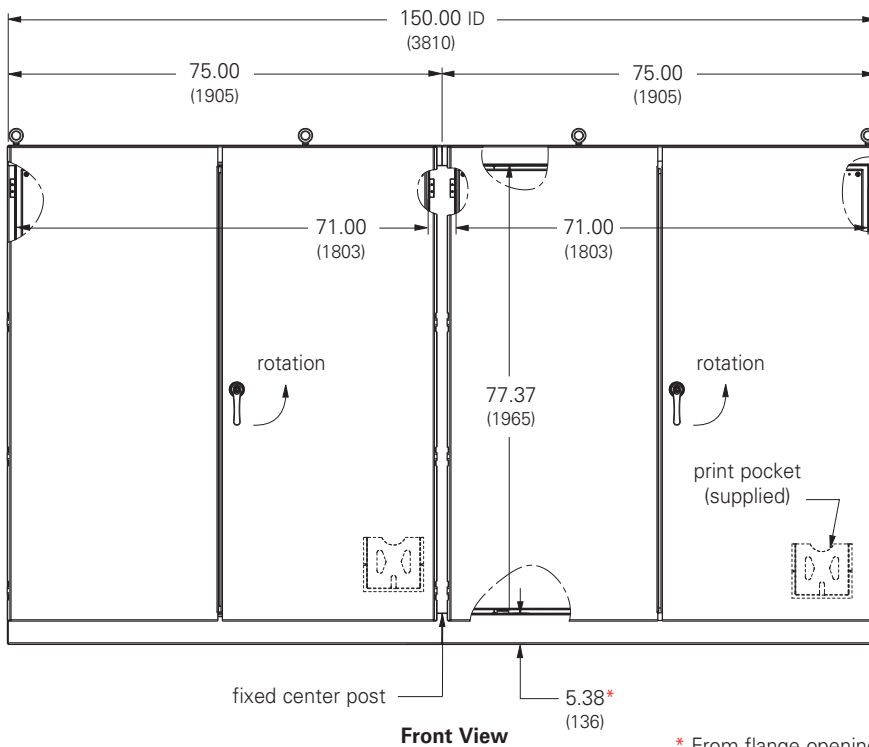
Ground-Mount Enclosures Type 12 Four-Door Free-Standing with 3-Point Locking Illustration Sheet and Catalog Number

Enclosure Catalog Number	Enclosure Size		Panel Size	
	Height in.	Width x Depth mm	Height in.	Width mm
8615014-12FS	86.00	150.00 x 14.00	78.00	1981
		2184 x 3810 x 356	1981	1778

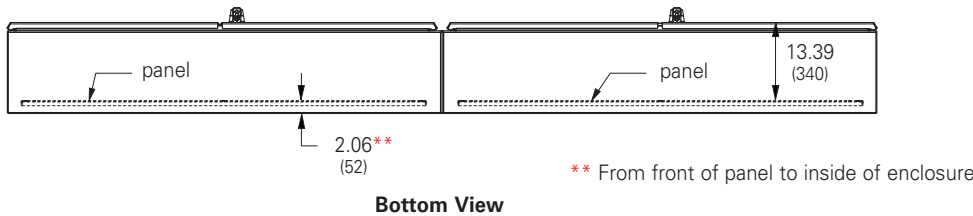
Top View



ID = Inside Dimension



Side View



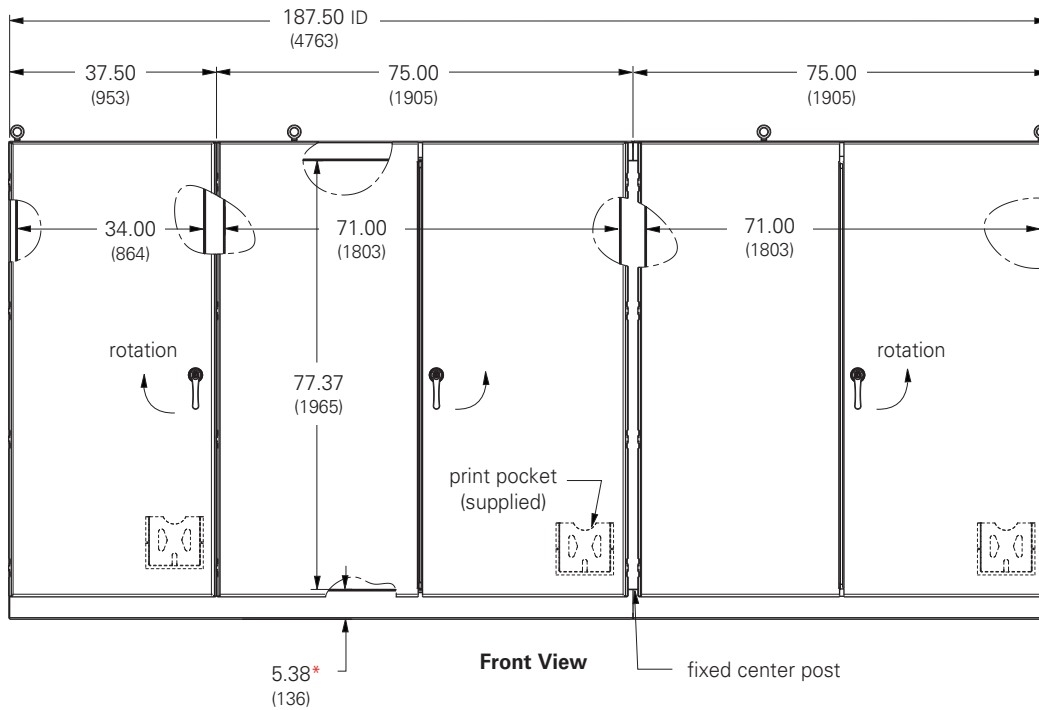
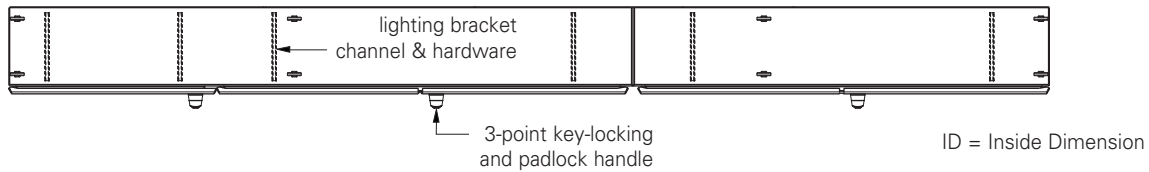
Bottom View

Notes: Dimensions are in inches. Millimeters shown are for reference only. Data subject to change without notice.

Ground-Mount Enclosures Type 12 Five-Door Free-Standing with 3-Point Locking Illustration Sheet and Catalog Number

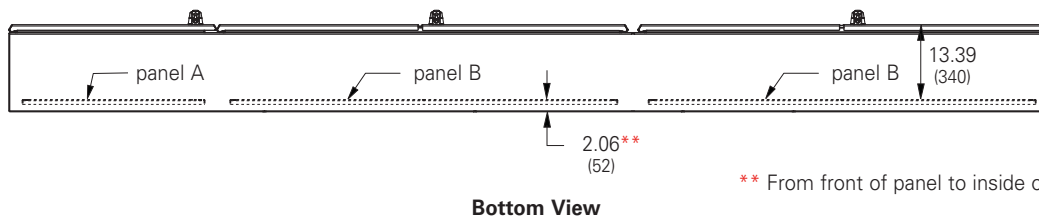
Enclosure	Enclosure Size		Panel A Size		Panel B Size	
Catalog Number	Height	Width x Depth	Height	Width	Height	Width
	in.	mm	in.	mm	in.	mm
8618714-12FS	86.00	187.50 x 14.00	78.00 x 33.00	1981 x 838	78.00 x 70.00	1981 x 1778

Top View



Type 12/13 Panel Encl.

* From flange opening to bottom of enclosure



** From front of panel to inside of enclosure

Notes: Dimensions are in inches. Millimeters shown are for reference only. Data subject to change without notice.

Type 12 / 13 Panel Enclosures

Type 12/13 Panel Encl.

Type 4 Panel Enclosures

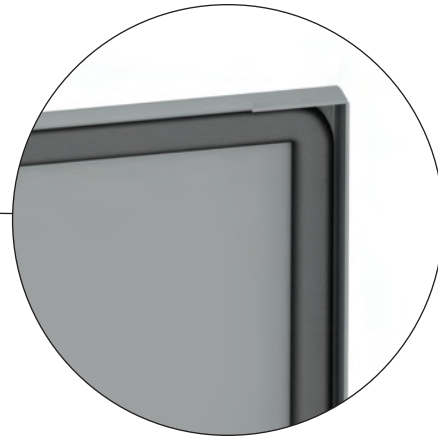


Type 4 Panel Enclosures

- JIC Enclosures Type 4 Lift-Off Cover 136-137
- JIC Enclosures Type 4 Continuous Hinge Cover 138-139
- JIC Enclosures Type 4 JIC Continuous Hinge Cover Quarter-Turn Latches 140-141
- Wall-Mount Enclosures Type 4 Single-Door 142-144
- Wall-Mount Enclosures Type 4 Premier™ Series Quarter-Turn Latches 145-149
- Wall-Mount Enclosures Type 4 Premier™ Series Flush-Mount Quarter-Turn Latches 150-151
- Wall-Mount Enclosures Type 12 Premier™ Series Double-Door Quarter-Turn Latches 152-153
- Premier™ Series Accessories 154-159
- Wall-Mount Enclosures Type 4 Single-Door 3-Point Locking 160-161
- Wall-Mount Enclosures Type 4 Double-Door 3-Point Locking 162-163
- Floor-Mounted Enclosures Type 4 Double-Door Floor-Standing 164-165
- Floor-Mounted Enclosures Type 4 Double-Door Floor-Standing Quarter-Turn Latches 166-167
- Ground-Mount Enclosures Type 4 Double-Door Floor-Standing 3-Point Locking 168-169
- Ground-Mount Enclosures Type 4 Free-Standing 170-171
- Ground-Mount Enclosures Type 4 Free-Standing Quarter-Turn Latches 172-173
- Ground-Mount Enclosures Type 4 Single-Door Free-Standing 3-Point Locking 174-175
- Ground-Mount Enclosures Type 4 Single-Door Dual-Access Free-Standing 3-Point Locking 176-177
- Ground-Mount Enclosures Type 4 EnviroShield™ Free-Standing 3-Point Locking 178-179
- Free-Standing Enclosure Accessories 180-191

Type 4 Panel Enclosures

JIC Enclosures Type 4 Lift-Off Cover Data Sheet



Seamless poured in-place gasket

Application

- Houses electrical controls and instruments
- Intended for indoor or outdoor use
- Protects against windblown dust and rain, splashing water and hose directed water

Standards

- UL 508A listed, Type 4, Type 12 and Type 13
- CSA C22.2 No.94 certified, Type 4, Type 12 and Type 13
- Conforms to NEMA standard for Type 4, Type 12 and Type 13

Finish

- Wash and phosphate undercoat
- ANSI 61 gray polyester powder finish

Accessories

- Panels
- JIC terminal strap kit
- JIC terminal strip kit
- Terminal blocks
- Touch-up paint
- See Accessories section

Construction

- Enclosure and cover are fabricated from (16) gauge steel
- All continuous welded seams are finished smooth
- Cover is secured to the body with easy to operate stainless steel screw clamps mounted on all four sides
- Cover has a seamless poured in-place gasket
- Ground stud provided on cover
- #10-32 weldnuts are provided for mounting optional panel on 6" x 4" and larger enclosures
- External mounting feet are provided for secure wall mounting

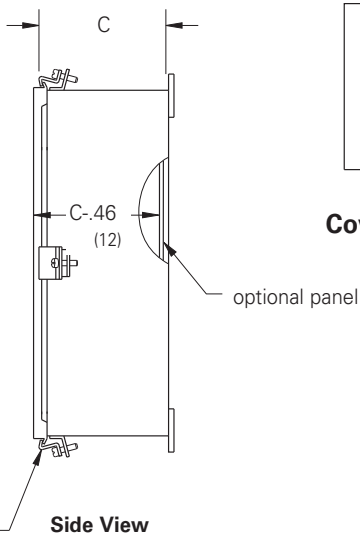
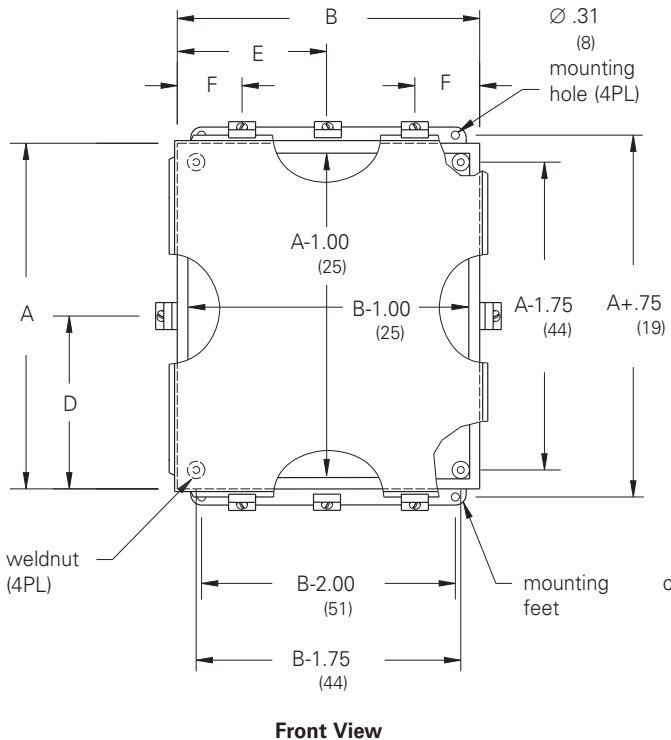
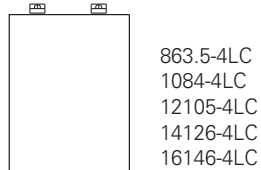
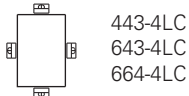
Discount Schedule: C2

Subclass: DCO

Notes: We can provide special sizes, finishes and other modifications. Consult the factory for your special requirements.

JIC Enclosures Type 4 Lift-Off Cover Illustration Sheet and Catalog Number

Enclosure Catalog Number	Enclosure Size Height x Width x Depth A x B x C		D		E		F		Panel Catalog Number		Panel Size Height x Width	
	in.	mm	in.	mm	in.	mm	in.	mm	Painted	Conductive	in.	mm
443-4LC	4.00 x 4.00 x 3.00	102 x 102 x 76	2.00	51	2.00	51	-	-	-	-	-	-
643-4LC	6.00 x 4.00 x 3.00	152 x 102 x 76	3.00	76	2.00	51	-	-	AW64P	AW64GP	4.87 x 2.87	124 x 73
863.5-4LC	8.00 x 6.00 x 3.50	203 x 152 x 89	-	-	-	-	2.00	51	AW86P	AW86GP	6.87 x 4.87	174 x 124
664-4LC	6.00 x 6.00 x 4.00	152 x 152 x 102	3.00	76	3.00	76	-	-	AW66P	AW66GP	4.87 x 4.87	124 x 124
1084-4LC	10.00 x 8.00 x 4.00	254 x 203 x 102	-	-	-	-	2.00	51	AW108P	AW108GP	8.87 x 6.87	225 x 174
12105-4LC	12.00 x 10.00 x 5.00	305 x 254 x 127	-	-	-	-	3.00	76	AW1210P	AW1210GP	10.87 x 8.87	276 x 225
14126-4LC	14.00 x 12.00 x 6.00	356 x 305 x 152	-	-	-	-	3.00	76	AW1412P	AW1412GP	12.87 x 10.87	327 x 276
16146-4LC	16.00 x 14.00 x 6.00	406 x 356 x 152	-	-	-	-	3.00	76	AW1614P	AW1614GP	14.87 x 12.87	378 x 327

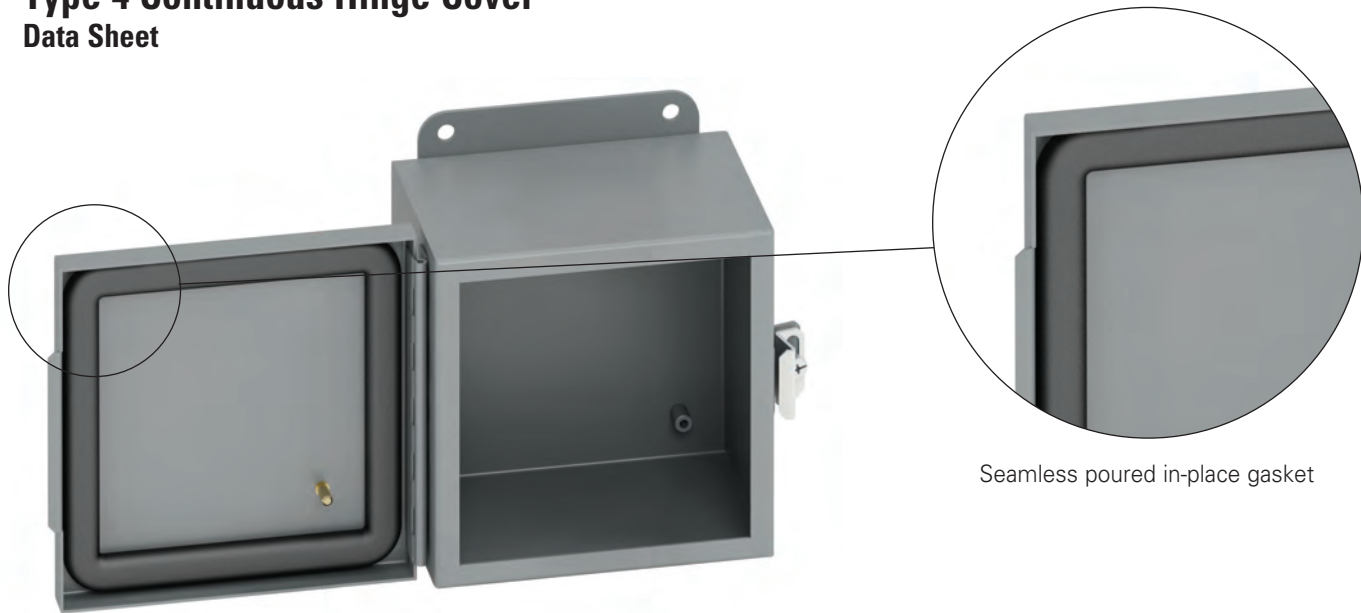


Cover Clamp Layout

Notes: Dimensions are in inches. Millimeters shown are for reference only. Data subject to change without notice.

Type 4 Panel Enclosures

JIC Enclosures Type 4 Continuous Hinge Cover Data Sheet



Seamless poured in-place gasket

Application

- Houses electrical controls and instruments
- Intended for indoor or outdoor use
- Protects against windblown dust and rain, splashing water and hose directed water

Standards

- UL 508A listed, Type 4, Type 12 and Type 13
- CSA C22.2 No.94 certified, Type 4, Type 12 and Type 13
- Conforms to NEMA standard for Type 4, Type 12 and Type 13

Finish

- Wash and phosphate undercoat
- ANSI 61 gray polyester powder finish

Accessories

- Panels
- JIC terminal strap kit
- JIC terminal strip kit
- Terminal blocks
- Touch-up paint
- See Accessories section

Construction

- Enclosure and cover are fabricated from (16) gauge steel
- All continuous welded seams are finished smooth
- Cover is secured to the body with a continuous hinge on one side and easy-to-operate stainless steel screw clamps mounted to the opposite side
- Stainless steel hinge pin
- Cover has a seamless poured in-place gasket
- Ground stud provided on cover
- #10-32 weldnuts are provided for mounting optional panel on 6" x 4" and larger enclosures
- External mounting feet are provided for secure wall mounting

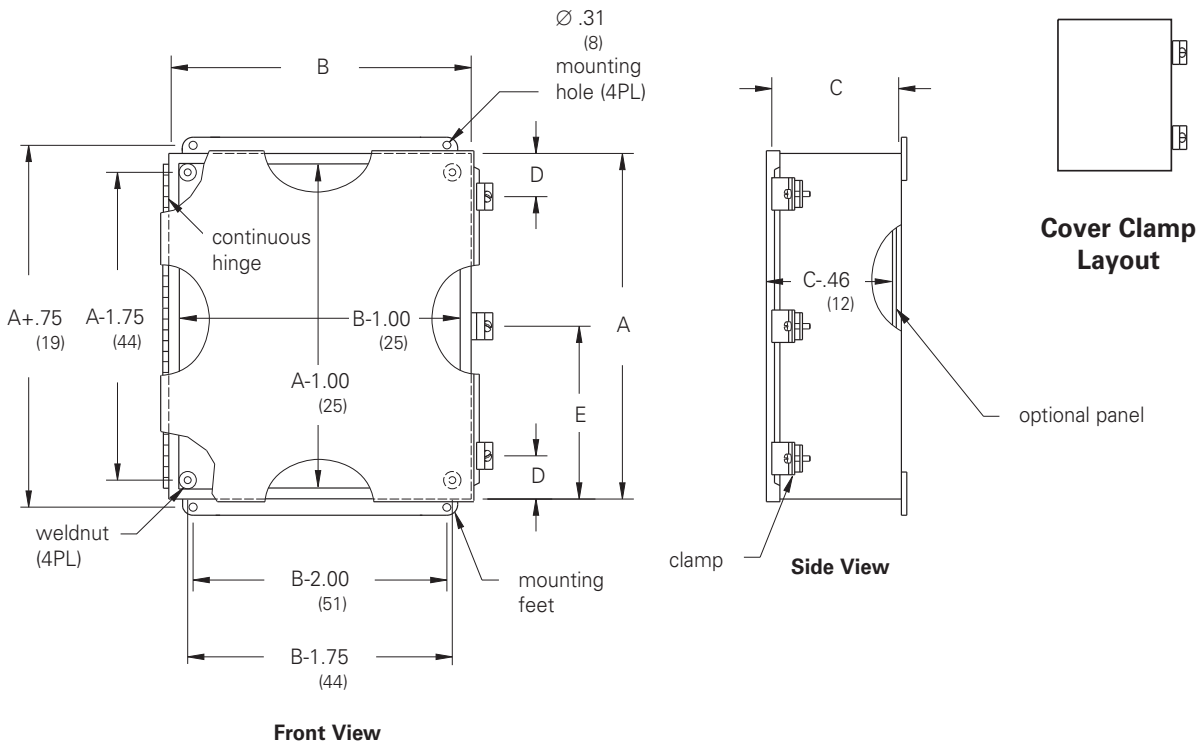
Discount Schedule: C2

Subclass: DC0

Notes: We can provide special sizes, finishes and other modifications. Consult the factory for your special requirements.

JIC Enclosures Type 4 Continuous Hinge Cover Illustration Sheet and Catalog Number

Enclosure Catalog Number	Enclosure Size Height x Width x Depth A x B x C		D		E		Panel Catalog Number		Panel Size Height x Width	
	in.	mm	in.	mm	in.	mm	Steel	Conductive	in.	mm
443-4CHC	4.00 x 4.00 x 3.00	102 x 102 x 76	-	-	2.00	51	-	-	-	-
643-4CHC	6.00 x 4.00 x 3.00	152 x 102 x 76	-	-	3.00	76	AW64P	AW66GP	4.87 x 2.87	124 x 73
863.5-4CHC	8.00 x 6.00 x 3.50	203 x 152 x 89	2.00	51	-	-	AW86P	AW86GP	6.87 x 4.87	174 x 124
644-4CHC	6.00 x 4.00 x 4.00	152 x 102 x 102	-	-	3.00	76	AW64P	AW64GP	4.87 x 2.87	124 x 73
664-4CHC	6.00 x 6.00 x 4.00	152 x 152 x 102	-	-	3.00	76	AW66P	AW66GP	4.87 x 4.87	124 x 124
1084-4CHC	10.00 x 8.00 x 4.00	254 x 203 x 102	2.00	51	-	-	AW108P	AW108GP	8.87 x 6.87	225 x 174
12105-4CHC	12.00 x 10.00 x 5.00	305 x 254 x 127	3.00	76	-	-	AW1210P	AW1210GP	10.87 x 8.87	276 x 225
1086-4CHC	10.00 x 8.00 x 6.00	254 x 203 x 152	2.00	51	-	-	AW108P	AW108GP	8.87 x 6.87	225 x 174
12126-4CHC	12.00 x 12.00 x 6.00	305 x 305 x 152	3.00	76	-	-	AW1212P	AW1212GP	10.87 x 10.87	276 x 276
14126-4CHC	14.00 x 12.00 x 6.00	356 x 305 x 152	3.00	76	-	-	AW1412P	AW1412GP	12.87 x 10.87	327 x 276
16146-4CHC	16.00 x 14.00 x 6.00	406 x 356 x 152	3.00	76	-	-	AW1614P	AW1614GP	14.87 x 12.87	378 x 327



Notes: Dimensions are in inches. Millimeters shown are for reference only. Data subject to change without notice.

Type 4 Panel Enclosures

Type 4 Panel Enclosures

JIC Enclosures

Type 4 Continuous Hinge Cover with Quarter-Turn Latches

Data and Illustration Sheet



Application

- Houses electrical controls and instruments
- Intended for indoor or outdoor use
- Protects against windblown dust and rain, splashing water and hose directed water

Standards

- UL 508A Listed, Type 4, 12
- CSA C22.2 No.94 certified, Type 4, 12
- Conforms to NEMA Standards for Type 3, 4, 12

Finish

- Wash and phosphate undercoat
- ANSI 61 gray polyester powder finish

Accessories

- Panels
- Swing-out panel kits
- JIC terminal kits
- Window kits
- Locks and latches

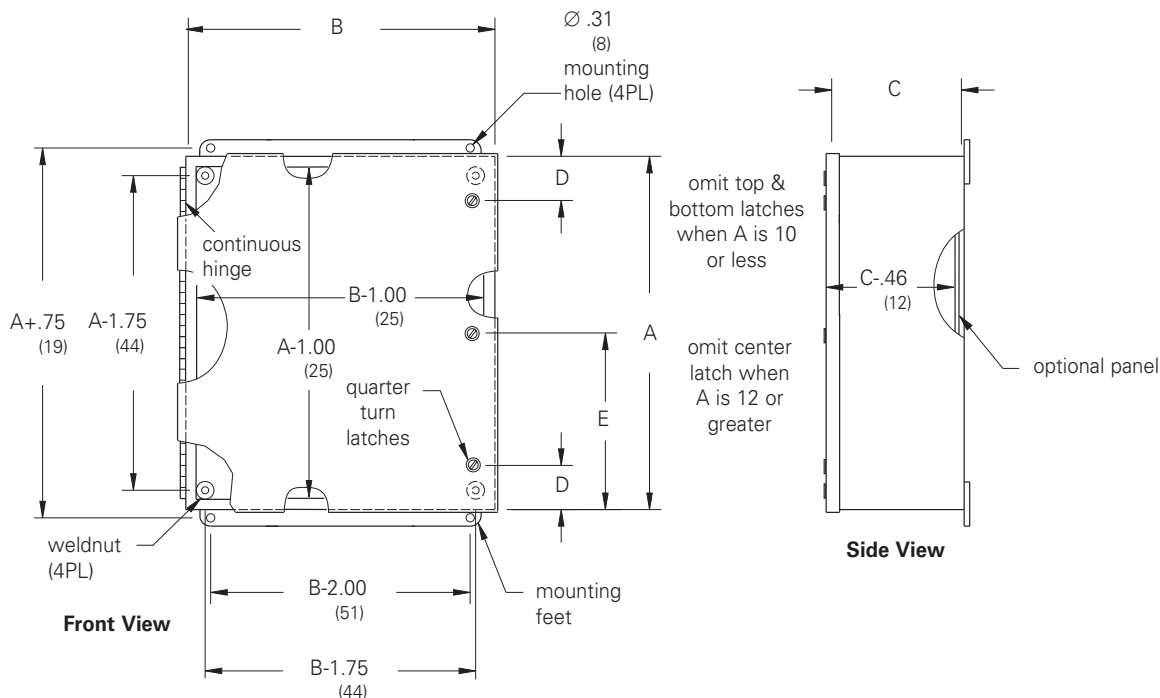
Construction

- Enclosure and cover are fabricated from (16) Gauge Steel
- All continuous welded seams are finished smooth
- Continuous hinge with stainless steel hinge pin
- Slotted quarter-turn flush latch(es)
- Cover has a seamless poured in-place gasket
- Ground stud provided on cover
- #10-32 weldnuts are provided for mounting optional panel on 6" x 4" and larger enclosures
- External mounting feet

Discount Schedule: C2

Subclass: DC1

Type 4 Panel Enclosures



Notes: We can provide special sizes, finishes and other modifications. Consult the factory for your special requirements.

JIC Enclosures Type 4 Continuous Hinge Cover with Quarter-Turn Latches Illustration Sheet and Catalog Number

Enclosure Catalog Number	Enclosure Size Height x Width x Depth A x B x C		D		E		Panel Catalog Number	Conductive Catalog Number	Panel Size Panel Height x Width	
	in.	mm	in.	mm	in.	mm			in.	mm
443-4QT	4 x 4 x 3	101 x 101 x 76	-	-	2	51	-	-	-	-
643-4QT	6 x 4 x 3	152 x 101 x 76	-	-	3	76	AW64P	AW64GP	4.87 x 2.87	123 x 73
863.5-4QT	8 x 6 x 3.5	203 x 152 x 89	-	-	4	101	AW86P	AW86GP	6.87 x 4.87	174 x 123
864-4QT	8 x 6 x 4	203 x 152 x 101	-	-	4	101	AW86P	AW86GP	6.87 x 4.87	174 x 123
444-4QT	4 x 4 x 4	101 x 101 x 101	-	-	2	51	-	-	-	-
644-4QT	6 x 4 x 4	152 x 101 x 101	-	-	3	76	AW64P	AW64GP	4.87 x 2.87	123 x 73
664-4QT	6 x 6 x 4	152 x 152 x 101	-	-	3	76	AW66P	AW66GP	4.87 x 4.87	123 x 123
884-4QT	8 x 8 x 4	203 x 203 x 101	-	-	4	101	AW88P	AW88GP	6.87 x 6.87	174 x 174
1084-4QT	10 x 8 x 4	254 x 203 x 101	-	-	5	127	AW108P	AW108GP	8.87 x 6.87	225 x 174
1264-4QT	12 x 6 x 4	305 x 152 x 101	3	76	-	-	AW126P	-	10.87 x 4.87	276 x 123
12105-4QT	12 x 10 x 5	305 x 254 x 127	3	76	-	-	AW1210P	AW1210GP	10.87 x 8.87	276 x 225
866-4QT	8 x 6 x 6	203 x 152 x 152	-	-	4	101	AW86P	AW86GP	6.87 x 4.87	174 x 123
886-4QT	8 x 8 x 6	203 x 203 x 152	-	-	4	101	AW88P	AW88GP	6.87 x 6.87	174 x 174
1086-4QT	10 x 8 x 6	254 x 203 x 152	-	-	5	127	AW108P	AW108GP	8.87 x 6.87	225 x 174
10106-4QT	10 x 10 x 6	254 x 254 x 152	-	-	5	127	AW1010P	AW1010GP	8.87 x 8.87	225 x 225
12106-4QT	12 x 10 x 6	305 x 254 x 152	3	76	-	-	AW1210P	AW1210GP	10.87 x 8.87	276 x 225
12126-4QT	12 x 12 x 6	305 x 305 x 152	3	76	-	-	AW1212P	AW1212GP	10.87 x 10.87	276 x 276
1486-4QT	14 x 8 x 6	355 x 203 x 152	3	76	-	-	AW148P	-	12.87 x 6.87	327 x 174
14126-4QT	14 x 12 x 6	355 x 305 x 152	3	76	-	-	AW1412P	AW1412GP	12.87 x 10.87	327 x 276
16106-4QT	16 x 10 x 6	406 x 254 x 152	3	76	-	-	AW1610P	-	14.87 x 8.87	377 x 225
16146-4QT	16 x 14 x 6	406 x 355 x 152	3	76	-	-	AW1614P	AW1614GP	14.87 x 12.87	377 x 327
12108-4QT	12 x 10 x 8	305 x 254 x 203	3	76	-	-	AW1210P	AW1210GP	10.87 x 8.87	276 x 225
14128-4QT	14 x 12 x 8	355 x 305 x 203	3	76	-	-	AW1412P	AW1412GP	12.87 x 10.87	327 x 276
16148-4QT	16 x 14 x 8	406 x 355 x 203	3	76	-	-	AW1614P	AW1614GP	14.87 x 12.87	377 x 327
161410-4QT	16 x 14 x 10	406 x 355 x 254	3	76	-	-	AW1614P	AW1614GP	14.87 x 12.87	377 x 327

Type 4 Panel Enclosures

Quarter-Turn Latch Layout



- 443-4QT
- 643-4QT
- 863.5-4QT
- 864-4QT
- 444-4QT
- 644-4QT
- 664-4QT
- 884-4QT
- 886-4QT
- 1084-4QT
- 1086-4QT
- 10106-4QT



- 1264-4QT
- 12105-4QT
- 12106-4QT
- 12126-4QT
- 1486-4QT
- 14126-4QT
- 16106-4QT
- 16146-4QT
- 12108-4QT
- 14128-4QT
- 16148-4QT
- 161410-4QT

Notes: Dimensions are in inches. Millimeters shown are for reference only. Data subject to change without notice.

Type 4 Panel Enclosures

Wall-Mount Enclosures Type 4 Single-Door Data Sheet



Application

- Houses electrical controls and instruments
- Intended for indoor or outdoor use
- Protects against windblown dust and rain, splashing water and hose directed water

Standards

- UL 508A listed, Type 4, Type 12 and Type 13
- CSA C22.2 No.94 certified, Type 4, Type 12 and Type 13
- Conforms to NEMA standard for Type 4, Type 12 and Type 13

Finish

- Wash and phosphate undercoat
- ANSI 61 gray polyester powder finish

Accessories

- Panels
- NEMA terminal strap kit
- Terminal blocks
- Door lock kit
- Floor stand kit
- Touch-up paint
- See Accessories section

Construction

- Enclosure and door are fabricated from code gauge steel, (see table, page 144)
- All continuous welded seams are finished smooth
- Doors are secured to the body with a heavy-duty continuous hinge on one side and easy-to-release stainless steel door clamps mounted to the other three sides
- Ground stud provided on door and body
- Formed lip around enclosure opening diverts liquids and contaminants
- Each door has a padlock hasp with sealing hole provision
- Print pocket provided
- Door has a seamless poured in-place gasket
- .375-16 collar studs are provided for mounting optional panel
- External mounting feet are provided for secure wall mounting

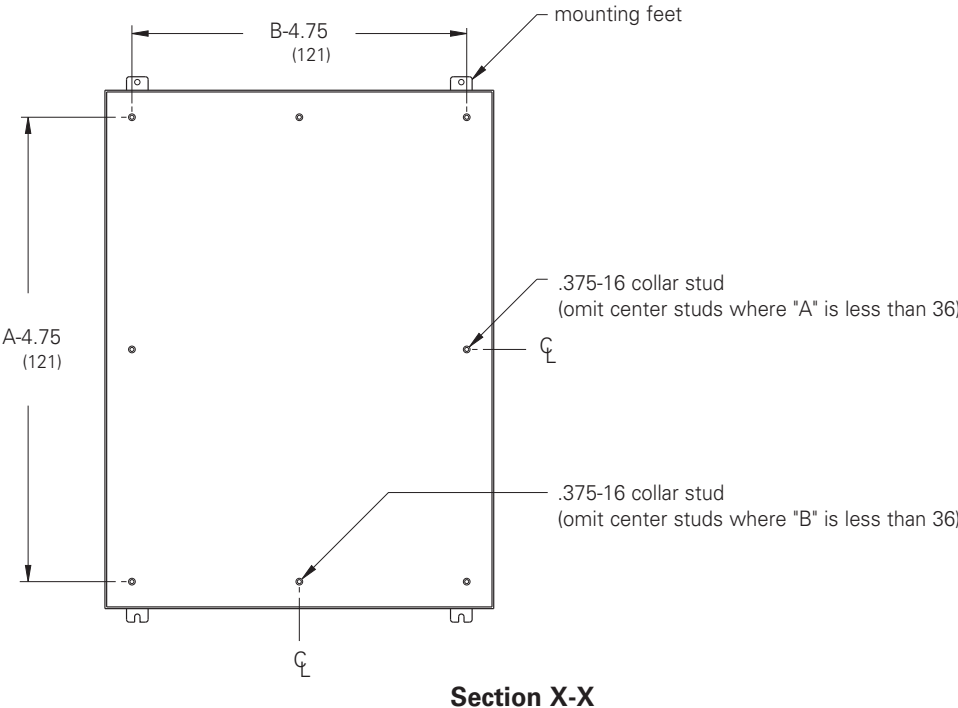
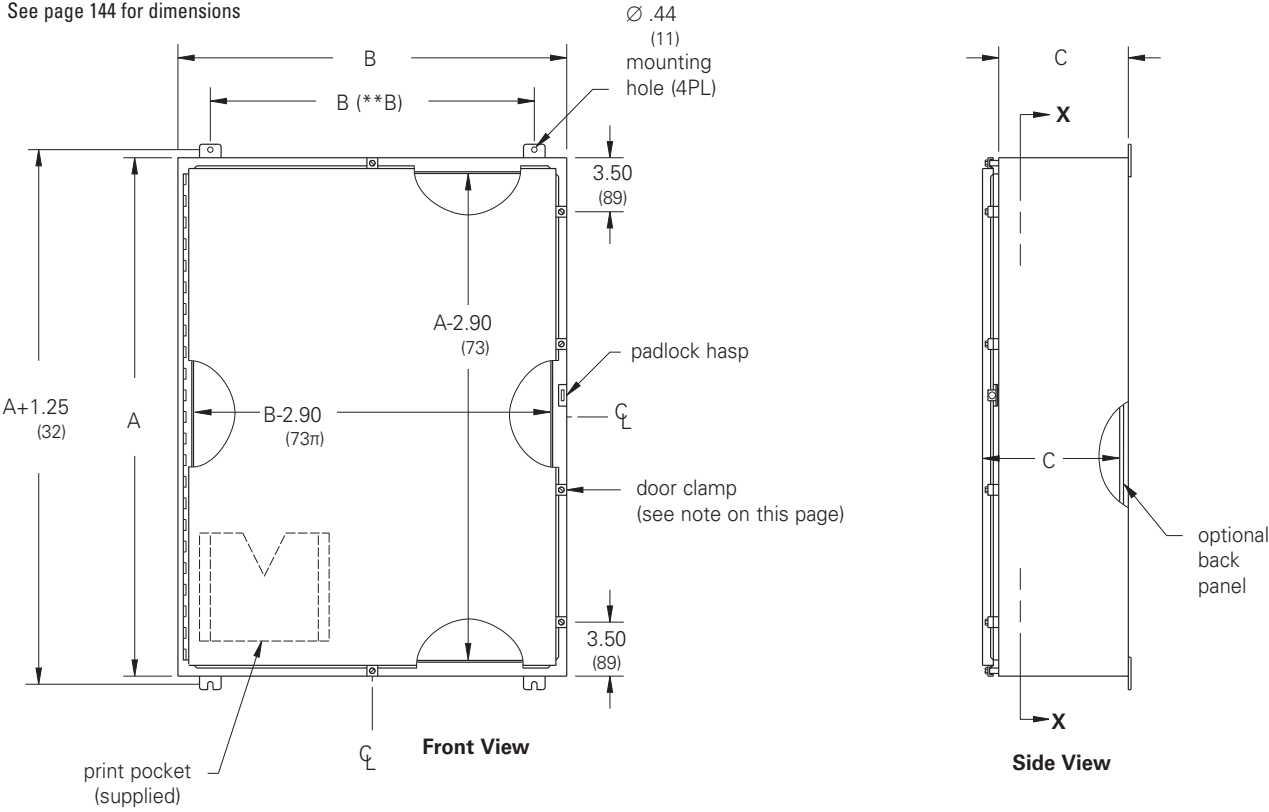
Discount Schedule: C2

Subclass: DF0

Notes: We can provide special sizes, finishes and other modifications. Consult the factory for your special requirements.

Wall-Mount Enclosures Type 4 Single-Door Illustration Sheet

See page 144 for dimensions



Notes: Dimensions: **B = (-2.50) if 12 inches wide; (-6.00) if wider than 12 inches. Clamps are mounted along three sides of the enclosure door. Spacing between clamps along side opposite the hinge does not exceed 15 inches. Dimensions are in inches. Millimeters shown are for reference only. Data subject to change without notice.

Type 4 Panel Enclosures

Type 4 Panel Enclosures

Wall-Mount Enclosures Type 4 Single-Door Catalog Number

Enclosure Catalog Number	Enclosure Size Height x Width x Depth A x B x C		Gauge	Panel		Panel Size Height x Width	
	in.	mm		Painted	Conductive	in.	mm
16126-4	16.00 x 12.00 x 6.00	406 x 305 x 152	16	AW1612P	AW1612GP	13.00 x 9.00	330 x 229
16166-4	16.00 x 16.00 x 6.00	406 x 406 x 152	16	AW1616P	AW1616GP	13.00 x 13.00	330 x 330
16206-4	16.00 x 20.00 x 6.00	406 x 508 x 152	16	AW2016P	AW2016GP	13.00 x 17.00	330 x 432
20166-4	20.00 x 16.00 x 6.00	508 x 406 x 152	16	AW2016P	AW2016GP	17.00 x 13.00	432 x 330
20206-4	20.00 x 20.00 x 6.00	508 x 508 x 152	16	AW2020P	AW2020GP	17.00 x 17.00	432 x 432
24126-4	24.00 x 12.00 x 6.00	610 x 305 x 152	16	AW2412P	--	21.00 x 9.00	533 x 229
24166-4	24.00 x 16.00 x 6.00	610 x 406 x 152	16	AW2416P	AW2416GP	21.00 x 13.00	533 x 330
24206-4	24.00 x 20.00 x 6.00	610 x 508 x 152	16	AW2420P	AW2420GP	20.87 x 16.87	530 x 428
24246-4	24.00 x 24.00 x 6.00	610 x 610 x 152	14	AW2424P	AW2424GP	20.87 x 20.87	530 x 530
30206-4	30.00 x 20.00 x 6.00	762 x 508 x 152	14	AW3020P	AW3020GP	26.87 x 16.87	682 x 428
30246-4	30.00 x 24.00 x 6.00	762 x 610 x 152	14	AW3024P	AW3024GP	26.87 x 20.87	682 x 530
36246-4	36.00 x 24.00 x 6.00	914 x 610 x 152	14	AW3624P	AW3624GP	32.87 x 20.87	835 x 530
16128-4	16.00 x 12.00 x 8.00	406 x 305 x 203	16	AW1612P	AW1612GP	13.00 x 9.00	330 x 229
20168-4	20.00 x 16.00 x 8.00	508 x 406 x 203	16	AW2016P	AW2016GP	17.00 x 13.00	432 x 330
20208-4	20.00 x 20.00 x 8.00	508 x 508 x 203	16	AW2020P	AW2020GP	17.00 x 17.00	432 x 432
20248-4	20.00 x 24.00 x 8.00	508 x 610 x 203	16	AW2420P	AW2420GP	16.87 x 20.87	428 x 530
24208-4	24.00 x 20.00 x 8.00	610 x 508 x 203	16	AW2420P	AW2420GP	20.87 x 16.87	530 x 428
24248-4	24.00 x 24.00 x 8.00	610 x 610 x 203	14	AW2424P	AW2424GP	20.87 x 20.87	530 x 530
24308-4	24.00 x 30.00 x 8.00	610 x 762 x 203	14	AW3024P	AW3024GP	20.87 x 26.87	530 x 682
30208-4	30.00 x 20.00 x 8.00	762 x 508 x 203	14	AW3020P	AW3020GP	26.87 x 16.87	682 x 428
30248-4	30.00 x 24.00 x 8.00	762 x 610 x 203	14	AW3024P	AW3024GP	26.87 x 20.87	682 x 530
30308-4	30.00 x 30.00 x 8.00	762 x 762 x 203	14	AW3030P	AW3030GP	26.87 x 26.87	682 x 682
36248-4	36.00 x 24.00 x 8.00	914 x 610 x 203	14	AW3624P	AW3624GP	32.87 x 20.87	835 x 530
36308-4	36.00 x 30.00 x 8.00	914 x 762 x 203	14	AW3630P	AW3630GP	32.87 x 26.87	835 x 682
42308-4	42.00 x 30.00 x 8.00	1067 x 762 x 203	14	AW4230P	AW4230GP	38.87 x 26.87	987 x 682
42368-4	42.00 x 36.00 x 8.00	1067 x 914 x 203	14	AW4236P	AW4236GP	38.87 x 32.87	987 x 835
48368-4	48.00 x 36.00 x 8.00	1219 x 914 x 203	14	AW4836P	AW4836GP	44.87 x 32.87	1140 x 835
60368-4	60.00 x 36.00 x 8.00	1524 x 914 x 203	14	AW6036P	AW6036GP	56.87 x 32.87	1444 x 835
201610-4	20.00 x 16.00 x 10.00	508 x 406 x 254	16	AW2016P	AW2016GP	17.00 x 13.00	432 x 330
242010-4	24.00 x 20.00 x 10.00	610 x 508 x 254	16	AW2420P	AW2420GP	20.87 x 16.87	530 x 428
302410-4	30.00 x 24.00 x 10.00	762 x 610 x 254	14	AW3024P	AW3024GP	26.87 x 20.87	682 x 530
363010-4	36.00 x 30.00 x 10.00	914 x 762 x 254	14	AW3630P	AW3630GP	32.87 x 26.87	835 x 682
483010-4	48.00 x 30.00 x 10.00	1219 x 762 x 254	14	AW4830P	AW4830GP	44.87 x 26.87	1140 x 682
483610-4	48.00 x 36.00 x 10.00	1219 x 914 x 254	14	AW4836P	AW4836GP	44.87 x 32.87	1140 x 835
603610-4	60.00 x 36.00 x 10.00	1524 x 914 x 254	14	AW6036P	AW6036GP	56.87 x 32.87	1444 x 835
302412-4	30.00 x 24.00 x 12.00	762 x 610 x 305	14	AW3024P	AW3024GP	26.87 x 20.87	682 x 530
363012-4	36.00 x 30.00 x 12.00	914 x 762 x 305	14	AW3630P	AW3630GP	32.87 x 26.87	835 x 682
483612-4	48.00 x 36.00 x 12.00	1219 x 914 x 305	14	AW4836P	AW4836GP	44.87 x 32.87	1140 x 835
363016-4	36.00 x 30.00 x 16.00	914 x 762 x 406	14	AW3630P	AW3630GP	32.87 x 26.87	835 x 682
483616-4	48.00 x 36.00 x 16.00	1219 x 914 x 406	14	AW4836P	AW4836GP	44.87 x 32.87	1140 x 835
603616-4	60.00 x 36.00 x 16.00	1524 x 914 x 406	14	AW6036P	AW6036GP	56.87 x 32.87	1444 x 835

See page 145 for drawings

Notes: Dimensions are in inches. Millimeters shown are for reference only. Data subject to change without notice.

Wall-Mount Enclosures Type 4 Premier™ Series with Quarter-Turn Latches Data Sheet and Catalog Number



Application

- Houses electrical controls and instruments
- Intended for indoor or outdoor use
- Protects against circulating and windblown dust, falling dirt, dripping non-corrosive liquids, rain, splashing water and hose directed water

Standards

- UL 508A Listed, Type 4 and Type 12
- cUL Listed, Type 4 and Type 12
- Conforms to NEMA standard for Type 4 and Type 12
- Wall-mounting brackets required to maintain UL/CSA external mounting requirements

Finish

- Wash and phosphate undercoat
- ANSI 61 gray polyester powder finish
- Available with RAL7035 Light Gray textured paint. To order add an "LG" to the end of the part number as shown in the tables (pages 146 - 149)

Discount Schedule: C2

Subclass: TC0

Accessories

- Premier panels
- Security latch inserts
- NEMA panel adapters
- Mounting foot kits
- Depth adjustment brackets
- EIA/TIA rack mounting angles
- Print pockets
- Swing-out panels
- Padlockable or keyed handles
- See Accessories section, pages 154-159

Construction

- Enclosure and door are fabricated from code gauge steel (see tables, pages 146 - 149)
- All continuous welded seams are finished smooth
- Hardware kit provided contains grounding hardware, .312-18 flanged hex nuts for panel mounting, and sealing washers for body mounting holes

Body Construction

- Body flange trough design is formed around body opening to divert liquid contaminants away from door opening
- Reduced width flange design increases enclosure opening
- Ground stud provided on enclosure body and on door
- .312-18 collar studs are provided for mounting optional Premier panels
- Enclosure mounting holes in body provided for direct mounting or optional mounting feet

Door Construction

- Doors are secured to the body with concealed hinge design on one side and slotted quarter-turn flush latch(es) on the opposite side
- Doors are easily removed and interchangeable
- Door has a seamless poured in-place gasket
- Door opens 180° for easy access
- Window-door enclosures feature flush-mounted clear polycarbonate window

Notes: We can provide special sizes, finishes and other modifications. Consult the factory for your special requirements.

Type 4 Panel Enclosures

Wall-Mount Enclosures Type 4 Premier™ Series with Quarter-Turn Latches Catalog Number

Enclosure Catalog Number				Enclosure Size		Door/Body Gauge	Panel Catalog Number	Panel Size	
Solid Door		Window Door		A x B x C				H x W	
ANSI 61 Gray	RAL7035 Lt. Gray	ANSI 61 Gray	RAL7035 Lt. Gray	in.	mm			in.	mm
1084-SD	1084-SDLG	-	-	10 x 8 x 4	254 x 203 x 102	16/16	108P	8.00 x 6.00	203 x 152
1086-SD	1086-SDLG	-	-	10 x 8 x 6	254 x 203 x 152	16/16	108P	8.00 x 6.00	203 x 152
12106-SD	12106-SDLG	-	-	12 x 10 x 6	305 x 254 x 152	16/16	1210P	10.00 x 8.00	254 x 203
12126-SD	12126-SDLG	12126-SDW	12126-SDWLG	12 x 12 x 6	305 x 305 x 152	16/16	1212P	10.00 x 10.00	254 x 254
16126-SD	16126-SDLG	16126-SDW	16126-SDWLG	16 x 12 x 6	406 x 305 x 152	16/16	1612P	14.00 x 10.00	356 x 254
16166-SD	16166-SDLG	-	-	16 x 16 x 6	406 x 406 x 152	16/16	1616P	14.00 x 14.00	356 x 356
16206-SD	16206-SDLG	-	-	16 x 20 x 6	406 x 508 x 152	16/16	2016P	14.00 x 18.00	356 x 457
20166-SD	20166-SDLG	20166-SDW	20166-SDWLG	20 x 16 x 6	508 x 406 x 152	16/16	2016P	18.00 x 14.00	457 x 356
20206-SD	20206-SDLG	20206-SDW	20206-SDWLG	20 x 20 x 6	508 x 508 x 152	16/16	2020P	18.00 x 18.00	457 x 457
24166-SD	24166-SDLG	-	-	24 x 16 x 6	610 x 406 x 152	16/16	2416P	22.00 x 14.00	559 x 356
24206-SD	24206-SDLG	24206-SDW	-	24 x 20 x 6	610 x 508 x 152	16/16	2420P	22.00 x 18.00	559 x 457
24246-SD	24246-SDLG	24246-SDW	24246-SDWLG	24 x 24 x 6	610 x 610 x 152	14/16	2424P	22.00 x 22.00	559 x 559
16128-SD	16128-SDLG	16128-SDW	16128-SDWLG	16 x 12 x 8	406 x 305 x 203	16/16	1612P	14.00 x 10.00	356 x 254
16168-SD	16168-SDLG	-	-	16 x 16 x 8	406 x 406 x 203	16/16	1616P	14.00 x 14.00	356 x 356
16208-SD	16208-SDLG	-	-	16 x 20 x 8	406 x 508 x 203	16/16	2016P	14.00 x 18.00	356 x 457
20168-SD	20168-SDLG	20168-SDW	20168-SDWLG	20 x 16 x 8	508 x 406 x 203	16/16	2016P	18.00 x 14.00	457 x 356
20208-SD	20208-SDLG	20208-SDW	20208-SDWLG	20 x 20 x 8	508 x 508 x 203	16/16	2020P	18.00 x 18.00	457 x 457
20248-SD	20248-SDLG	-	-	20 x 24 x 8	508 x 610 x 203	16/16	2420P	18.00 x 22.00	457 x 559
24168-SD	24168-SDLG	-	-	24 x 16 x 8	610 x 406 x 203	16/16	2416P	22.00 x 14.00	559 x 356
24208-SD	24208-SDLG	24208-SDW	-	24 x 20 x 8	610 x 508 x 203	16/16	2420P	22.00 x 18.00	559 x 457
24248-SD	24248-SDLG	24248-SDW	24248-SDWLG	24 x 24 x 8	610 x 610 x 203	14/16	2424P	22.00 x 22.00	559 x 559
24308-SD	24308-SDLG	-	-	24 x 30 x 8	610 x 762 x 203	14/16	3024P	22.00 x 28.00	559 x 711
30208-SD	30208-SDLG	-	-	30 x 20 x 8	762 x 508 x 203	14/16	3020P	28.00 x 18.00	711 x 457
30248-SD	30248-SDLG	30248-SDW	30248-SDWLG	30 x 24 x 8	762 x 610 x 203	14/16	3024P	28.00 x 22.00	711 x 559
30308-SD	30308-SDLG	-	-	30 x 30 x 8	762 x 762 x 203	14/14	3030P	28.00 x 28.00	711 x 711
36248-SD	36248-SDLG	-	-	36 x 24 x 8	914 x 610 x 203	14/14	3624P	34.00 x 22.00	864 x 559
36308-SD	36308-SDLG	-	-	36 x 30 x 8	914 x 762 x 203	14/14	3630P	34.00 x 28.00	864 x 711
36368-SD	36368-SDLG	-	-	36 x 36 x 8	914 x 914 x 203	14/14	3636P	34.00 x 34.00	864 x 864
161210-SD	161210-SDLG	161210-SDW	-	16 x 12 x 10	406 x 305 x 254	16/16	1612P	14.00 x 10.00	356 x 254
161610-SD	161610-SDLG	-	-	16 x 16 x 10	406 x 406 x 254	16/16	1616P	14.00 x 14.00	356 x 356
162010-SD	162010-SDLG	-	-	16 x 20 x 10	406 x 508 x 254	16/16	2016P	14.00 x 18.00	356 x 457
201610-SD	201610-SDLG	201610-SDW	201610-SDWLG	20 x 16 x 10	508 x 406 x 254	16/16	2016P	18.00 x 14.00	457 x 356
202010-SD	202010-SDLG	202010-SDW	202010-SDWLG	20 x 20 x 10	508 x 508 x 254	16/16	2020P	18.00 x 18.00	457 x 457
202410-SD	202410-SDLG	-	-	20 x 24 x 10	508 x 610 x 254	16/16	2420P	18.00 x 22.00	457 x 559
241610-SD	241610-SDLG	-	-	24 x 16 x 10	610 x 406 x 254	16/16	2416P	22.00 x 14.00	559 x 356
242010-SD	242010-SDLG	242010-SDW	242010-SDWLG	24 x 20 x 10	610 x 508 x 254	16/16	2420P	22.00 x 18.00	559 x 457
242410-SD	242410-SDLG	242410-SDW	242410-SDWLG	24 x 24 x 10	610 x 610 x 254	14/16	2424P	22.00 x 22.00	559 x 559
243010-SD	243010-SDLG	-	-	24 x 30 x 10	610 x 762 x 254	14/16	3024P	22.00 x 28.00	559 x 711
302010-SD	302010-SDLG	-	-	30 x 20 x 10	762 x 508 x 254	14/16	3024P	28.00 x 18.00	711 x 457
302410-SD	302410-SDLG	302410-SDW	302410-SDWLG	30 x 24 x 10	762 x 610 x 254	14/16	3024P	28.00 x 22.00	711 x 559
303010-SD	303010-SDLG	-	-	30 x 30 x 10	762 x 762 x 254	14/14	3030P	28.00 x 28.00	711 x 711
362410-SD	362410-SDLG	-	-	36 x 24 x 10	914 x 610 x 254	14/14	3624P	34.00 x 22.00	864 x 559
363010-SD	363010-SDLG	-	-	36 x 30 x 10	914 x 762 x 254	14/14	3630P	34.00 x 28.00	864 x 711
423010-SD	-	-	-	42 x 30 x 10	1067 x 762 x 254	14/14	4230P	40.00 x 28.00	1016 x 711
363610-SD	363610-SDLG	-	-	36 x 36 x 10	914 x 914 x 254	14/14	3636P	34.00 x 34.00	864 x 864
423610-SD	423610-SDLG	-	-	42 x 36 x 10	1067 x 914 x 254	14/14	4236P	40.00 x 34.00	1016 x 864
482410-SD	482410-SDLG	-	-	48 x 24 x 10	1219 x 610 x 254	14/14	4824P	46.00 x 22.00	1168 x 559
483010-SD	-	-	-	48 x 30 x 10	1219 x 762 x 254	14/14	3048P	46.00 x 28.00	1168 x 711
483610-SD	483610-SDLG	-	-	48 x 36 x 10	1219 x 914 x 254	14/14	4836P	46.00 x 34.00	1168 x 864
603610-SD	603610-SDLG	-	-	60 x 36 x 10	1524 x 914 x 254	14/14	6036P	58.00 x 34.00	1473 x 86
202012-SD	202012-SDLG	202012-SDW	202012-SDWLG	20 x 20 x 12	508 x 508 x 305	16/16	2020P	18.00 x 18.00	457 x 457
242012-SD	242012-SDLG	242012-SDW	242012-SDWLG	24 x 20 x 12	610 x 508 x 305	16/16	2420P	22.00 x 18.00	559 x 457
242412-SD	242412-SDLG	242412-SDW	242412-SDWLG	24 x 24 x 12	610 x 610 x 305	14/16	2424P	22.00 x 22.00	559 x 559

Notes: Dimensions are in inches. Millimeters shown are for reference only. Data subject to change without notice.

Wall-Mount Enclosures Type 4 Premier™ Series with Quarter-Turn Latches Catalog Number cont. from page 146

Enclosure Catalog Number				Mounting		Window Size		Latch Quantity	J	
Solid Door		Window Door		D x E		F x G			in.	mm
ANSI 61 Gray	RAL7035 Lt. Gray	ANSI 61 Gray	RAL7035 Lt. Gray	in.	mm	in.	mm			
1084-SD	1084-SDLG	-	-	8.50 x 6.37	216 x 162	-	-	1	5.00	127
1086-SD	1086-SDLG	-	-	8.50 x 6.37	216 x 162	-	-	1	5.00	127
12106-SD	12106-SDLG	-	-	10.50 x 8.37	267 x 213	-	-	1	6.00	152
12126-SD	12126-SDLG	12126-SDW	12126-SDWLG	10.50 x 10.37	267 x 264	8.25 x 7.00	210 x 178	1	6.00	152
16126-SD	16126-SDLG	16126-SDW	16126-SDWLG	14.50 x 10.37	368 x 264	12.25 x 7.00	311 x 178	1	8.00	203
16166-SD	16166-SDLG	-	-	14.50 x 14.37	368 x 365	-	-	1	8.00	203
16206-SD	16206-SDLG	-	-	14.50 x 18.37	368 x 467	-	-	1	8.00	203
20166-SD	20166-SDLG	20166-SDW	20166-SDWLG	18.50 x 14.37	470 x 365	16.25 x 11.00	413 x 279	1	10.00	254
20206-SD	20206-SDLG	20206-SDW	20206-SDWLG	18.50 x 18.37	470 x 467	16.25 x 15.00	413 x 381	1	10.00	254
24166-SD	24166-SDLG	-	-	22.50 x 14.37	572 x 365	-	-	1	5.00	127
24206-SD	24206-SDLG	24206-SDW	-	22.50 x 18.37	572 x 467	20.25 x 15.00	514 x 381	1	5.00	127
24246-SD	24246-SDLG	24246-SDW	24246-SDWLG	22.50 x 22.37	572 x 568	20.25 x 17.62	514 x 448	1	5.00	127
16128-SD	16128-SDLG	16128-SDW	16128-SDWLG	14.50 x 10.37	368 x 264	12.25x7.00	311x178	1	8.00	203
16168-SD	16168-SDLG	-	-	14.50 x 14.37	368 x 365	-	-	1	8.00	203
16208-SD	16208-SDLG	-	-	14.50 x 18.37	368 x 467	-	-	1	8.00	202
20168-SD	20168-SDLG	20168-SDW	20168-SDWLG	18.50 x 14.37	470 x 365	16.25 x 11.00	413 x 279	1	10.00	254
20208-SD	20208-SDLG	20208-SDW	20208-SDWLG	18.50 x 18.37	470 x 467	16.25 x 15.00	413 x 381	1	10.00	254
20248-SD	20248-SDLG	-	-	18.50 x 22.37	470 x 568	-	-	1	10.00	254
24168-SD	24168-SDLG	-	-	22.50 x 14.37	572 x 365	-	-	1	5.00	127
24208-SD	24208-SDLG	24208-SDW	-	22.50 x 18.37	572 x 467	20.25 x 15.00	514 x 381	1	5.00	127
24248-SD	24248-SDLG	24248-SDW	24248-SDWLG	22.50 x 22.37	572 x 568	20.25 x 17.62	514 x 448	2	5.00	127
24308-SD	24308-SDLG	-	-	22.50 x 28.37	572 x 721	-	-	2	5.00	127
30208-SD	30208-SDLG	-	-	28.50 x 18.37	724 x 467	-	-	2	5.00	127
30248-SD	30248-SDLG	30248-SDW	30248-SDWLG	28.50 x 22.37	724 x 568	26.25 x 17.62	667 x 448	2	5.00	127
30308-SD	30308-SDLG	-	-	28.50 x 28.37	724 x 721	-	-	2	5.00	127
36248-SD	36248-SDLG	-	-	34.50 x 22.37	876 x 568	-	-	2	5.00	127
36308-SD	36308-SDLG	-	-	34.50 x 28.37	876 x 721	-	-	2	5.00	127
36368-SD	36368-SDLG	-	-	34.50 x 34.37	876 x 873	-	-	2	5.00	127
161210-SD	161210-SDLG	161210-SDW	-	14.50 x 10.37	368 x 264	12.25 x 7.00	311 x 178	1	8.00	203
161610-SD	161610-SDLG	-	-	14.50 x 14.37	368 x 365	-	-	1	8.00	203
162010-SD	162010-SDLG	-	-	14.50 x 18.37	368 x 467	-	-	1	8.00	203
201610-SD	201610-SDLG	201610-SDW	201610-SDWLG	18.50 x 14.37	470 x 365	16.25 x 11.00	413 x 279	1	10.00	254
202010-SD	202010-SDLG	202010-SDW	202010-SDWLG	18.50 x 18.37	470 x 467	16.25 x 15.00	413 x 381	1	10.00	254
202410-SD	202410-SDLG	-	-	18.50 x 22.37	470 x 568	-	-	1	10.00	254
241610-SD	241610-SDLG	-	-	22.50 x 14.37	572 x 365	-	-	1	5.00	127
242010-SD	242010-SDLG	242010-SDW	242010-SDWLG	22.50 x 18.37	572 x 467	20.25 x 15.00	514 x 381	1	5.00	127
242410-SD	242410-SDLG	242410-SDW	242410-SDWLG	22.50 x 22.37	572 x 568	20.25 x 17.62	514 x 448	2	5.00	127
243010-SD	243010-SDLG	-	-	22.50 x 28.37	572 x 721	-	-	2	5.00	127
302010-SD	302010-SDLG	-	-	28.50 x 18.37	724 x 467	-	-	2	5.00	127
302410-SD	302410-SDLG	302410-SDW	302410-SDWLG	28.50 x 22.37	724 x 568	26.25 x 17.62	667 x 448	2	5.00	127
303010-SD	303010-SDLG	-	-	28.50 x 28.37	724 x 721	-	-	2	5.00	127
362410-SD	362410-SDLG	-	-	34.50 x 22.37	876 x 568	-	-	2	5.00	127
363010-SD	363010-SDLG	-	-	34.50 x 28.37	876 x 721	-	-	2	5.00	127
423010-SD	-	-	-	40.50 x 28.37	1029 x 721	-	-	3	5.00	127
363610-SD	363610-SDLG	-	-	34.50 x 34.37	876 x 873	-	-	2	5.00	127
423610-SD	423610-SDLG	-	-	40.50 x 34.37	1029 x 873	-	-	3	5.00	127
482410-SD	482410-SDLG	-	-	46.50 x 22.37	1181 x 568	-	-	3	5.00	127
483010-SD	-	-	-	46.50 x 28.37	1181 x 721	-	-	3	5.00	127
483610-SD	483610-SDLG	-	-	46.50 x 34.37	1181 x 873	-	-	3	5.00	127
603610-SD	603610-SDLG	-	-	58.50 x 34.37	1486 x 873	-	-	3	5.00	127
202012-SD	202012-SDLG	202012-SDW	202012-SDWLG	18.50 x 18.37	470 x 467	16.25 x 15.00	413 x 381	1	10.00	254
242012-SD	242012-SDLG	242012-SDW	242012-SDWLG	22.50 x 18.37	572 x 467	20.25 x 15.00	514 x 381	1	5.00	127
242412-SD	242412-SDLG	242412-SDW	242412-SDWLG	22.50 x 22.37	572 x 568	20.25 x 17.62	514 x 448	2	5.00	127

Notes: Dimensions are in inches. Millimeters shown are for reference only. Data subject to change without notice.

Type 4 Panel Enclosures

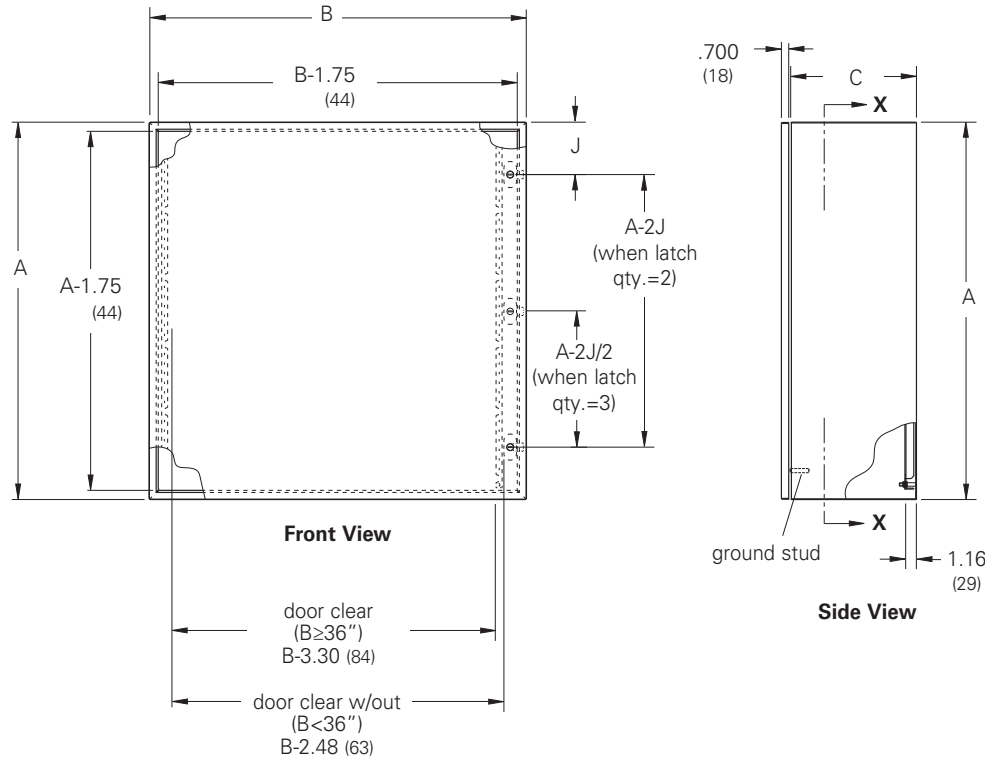
Type 4 Panel Enclosures

Wall-Mount Enclosures Type 4 Premier™ Series with Quarter-Turn Latches Catalog Number

Enclosure Catalog Number				Enclosure Size		Door/Body Gauge	Panel Catalog Number	Panel Size	
Solid Door		Window Door		A x B x C				H x W	
ANSI 61 Gray	RAL7035 Lt. Gray	ANSI 61 Gray	RAL7035 Lt. Gray	in.	mm			in.	mm
302412-SD	302412-SDLG	302412-SDW	302412-SDWLG	30 x 24 x 12	762 x 610 x 305	14/16	3024P	28.00 x 22.00	711 x 559
303012-SD	303012-SDLG	-	-	30 x 30 x 12	762 x 762 x 305	14/14	3030P	28.00 x 28.00	711 x 711
362412-SD	362412-SDLG	-	-	36 x 24 x 12	914 x 610 x 305	14/14	3624P	34.00 x 22.00	864 x 559
363012-SD	363012-SDLG	-	-	36 x 30 x 12	914 x 762 x 305	14/14	3630P	34.00 x 28.00	864 x 711
423012-SD	423012-SDLG	-	-	42 x 30 x 12	1067 x 762 x 305	14/14	4230P	40.00 x 28.00	1016 x 711
363612-SD	363612-SDLG	-	-	36 x 36 x 12	914 x 914 x 305	14/14	3636P	34.00 x 34.00	864 x 864
423612-SD	423612-SDLG	-	-	42 x 36 x 12	1067 x 914 x 305	14/14	4236P	40.00 x 34.00	1016 x 864
482412-SD	482412-SDLG	-	-	48 x 24 x 12	1219 x 610 x 305	14/14	4824P	46.00 x 22.00	1168 x 559
483612-SD	483612-SDLG	-	-	48 x 36 x 12	1219 x 914 x 305	14/14	4836P	46.00 x 34.00	1168 x 864
603612-SD	603612-SDLG	-	-	60 x 36 x 12	1524 x 914 x 305	14/14	6036P	58.00 x 34.00	1473 x 864
242016-SD	-	-	-	24 x 20 x 16	610 x 508 x 406	14/14	2420P	22.00 x 18.00	559 x 457
242416-SD	242416-SDLG	242416-SDW	242416-SDWLG	24 x 24 x 16	610 x 610 x 406	14/14	2424P	22.00 x 22.00	559 x 559
302416-SD	-	-	-	30 x 24 x 16	762 x 610 x 406	14/14	3024P	28.00 x 22.00	711 x 559
362416-SD	-	-	-	36 x 24 x 16	914 x 610 x 406	14/14	3624P	34.00 x 22.00	864 x 559
363016-SD	363016-SDLG	-	-	36 x 30 x 16	914 x 762 x 406	14/14	3630P	34.00 x 28.00	864 x 711
423616-SD	-	-	-	42 x 36 x 16	1067 x 914 x 406	14/14	4236P	40.00 x 34.00	1016 x 864
483616-SD	483616-SDLG	-	-	48 x 36 x 16	1219 x 914 x 406	14/14	4836P	46.00 x 34.00	1168 x 864
603616-SD	-	-	-	60 x 36 x 16	1524 x 914 x 406	14/14	6036P	58.00 x 34.00	1473 x 864
242420-SD	242420-SDLG	242420-SDW	242420-SDWLG	24 x 24 x 20	610 x 610 x 508	14/14	2424P	22.00 x 22.00	559 x 559
302420-SD	302420-SDLG	302420-SDW	302420-SDWLG	30 x 24 x 20	762 x 610 x 508	14/14	3024P	28.00 x 22.00	711 x 559
363020-SD	363020-SDLG	-	-	36 x 30 x 20	914 x 762 x 508	14/14	3630P	34.00 x 28.00	864 x 711
483620-SD	-	-	-	48 x 36 x 20	1219 x 914 x 508	14/14	4836P	46.00 x 34.00	1168 x 864
603620-SD	-	-	-	60 x 36 x 20	1524 x 914 x 508	14/14	6036P	58.00 x 34.00	1473 x 864

Type 4 Panel Enclosures

Illustration Without Window



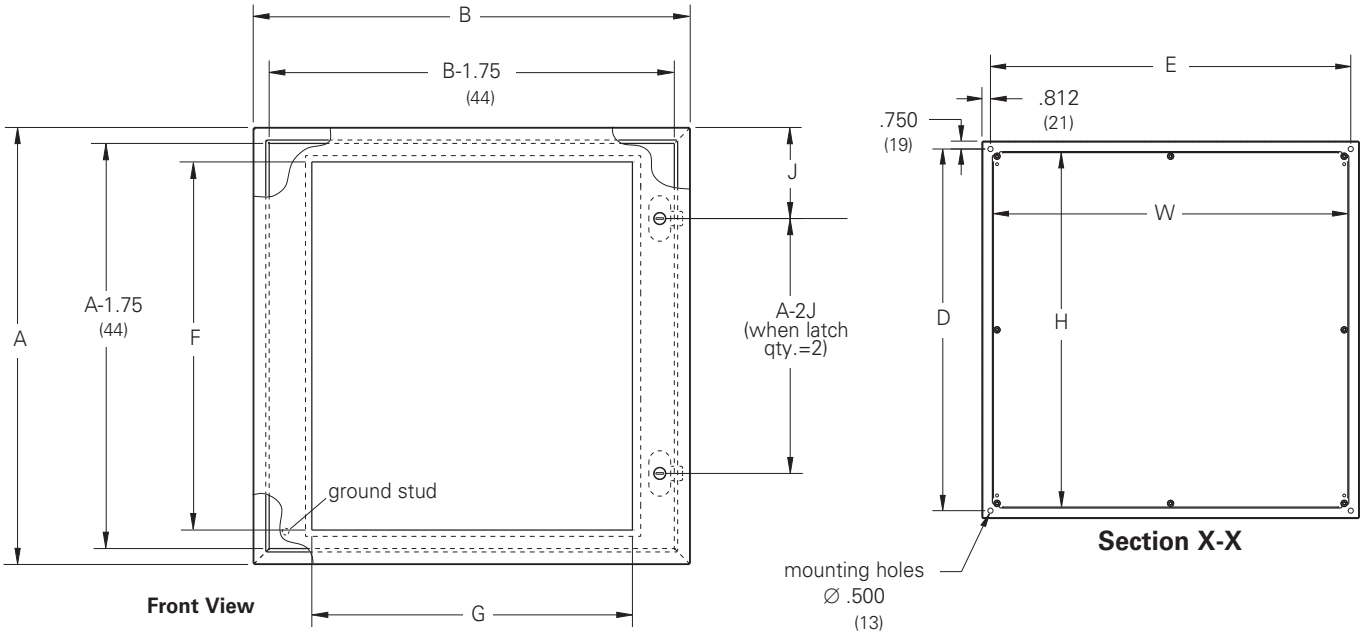
Notes: Dimensions are in inches. Millimeters shown are for reference only. Data subject to change without notice.

Wall-Mount Enclosures Type 4 Premier™ Series with Quarter-Turn Latches

Catalog Number cont. from page 148

Enclosure Catalog Number				Mounting		Window Size		Latch Quantity	J	
Solid Door		Window Door		D x E		F x G			in.	mm
ANSI 61 Gray	RAL7035 Lt. Gray	ANSI 61 Gray	RAL7035 Lt. Gray	in.	mm	in.	mm			
302412-SD	302412-SDLG	302412-SDW	302412-SDWLG	28.50 x 22.37	724 x 568	26.25 x 17.62	667 x 448	2	5.00	127
303012-SD	303012-SDLG	-	-	28.50 x 28.37	724 x 721	-	-	2	5.00	127
362412-SD	362412-SDLG	-	-	34.50 x 22.37	876 x 568	-	-	2	5.00	127
363012-SD	363012-SDLG	-	-	34.50 x 28.37	876 x 721	-	-	2	5.00	127
423012-SD	423012-SDLG	-	-	40.50 x 28.37	1029 x 721	-	-	3	5.00	127
363612-SD	363612-SDLG	-	-	34.50 x 34.37	876 x 873	-	-	2	5.00	127
423612-SD	423612-SDLG	-	-	40.50 x 34.37	1029 x 873	-	-	3	5.00	127
482412-SD	482412-SDLG	-	-	46.50 x 22.37	1181 x 568	-	-	3	5.00	127
483612-SD	483612-SDLG	-	-	46.50 x 34.37	1181 x 873	-	-	3	5.00	127
603612-SD	603612-SDLG	-	-	58.50 x 34.37	1486 x 873	-	-	3	5.00	127
242016-SD	-	-	-	22.50 x 18.37	572 x 467	-	-	2	5.00	127
242416-SD	242416-SDLG	242416-SDW	242416-SDWLG	22.50 x 22.37	572 x 568	20.25 x 17.62	514 x 448	2	5.00	127
302416-SD	-	-	-	28.50 x 22.37	725 x 568	-	-	2	5.00	127
362416-SD	-	-	-	34.50 x 22.37	876 x 568	-	-	2	5.00	127
363016-SD	363016-SDLG	-	-	34.50 x 28.37	876 x 721	-	-	2	5.00	127
423616-SD	-	-	-	40.50 x 34.37	1029 x 873	-	-	3	5.00	127
483616-SD	483616-SDLG	-	-	46.50 x 34.37	1181 x 873	-	-	3	5.00	127
603616-SD	-	-	-	58.50 x 34.37	1486 x 873	-	-	3	5.00	127
242420-SD	242420-SDLG	242420-SDW	242420-SDWLG	22.50 x 22.37	572 x 568	20.25 x 17.62	514 x 448	2	5.00	127
302420-SD	302420-SDLG	302420-SDW	302420-SDWLG	28.50 x 22.37	724 x 568	26.25 x 17.62	667 x 448	2	5.00	127
363020-SD	363020-SDLG	-	-	34.50 x 28.37	876 x 721	-	-	2	5.00	127
483620-SD	-	-	-	46.50 x 34.37	1181 x 873	-	-	3	5.00	127
603620-SD	-	-	-	58.50 x 34.37	1486 x 873	-	-	3	5.00	127

Illustration With Window



Notes: Dimensions are in inches. Millimeters shown are for reference only. Data subject to change without notice.

Type 4 Panel Enclosures

Type 4 Panel Enclosures

Wall-Mount Enclosures

Type 4 Premier™ Series Flush-Mount with Quarter-Turn Latches Data Sheet



Application

- Houses electrical controls and instruments
- Intended for indoor or outdoor use
- Protects against circulating and windblown dust, falling dirt, dripping non-corrosive liquids, rain, splashing water and hose directed water

Standards

- UL 508A Listed, Type 4 and Type 12
- cUL Listed, Type 4 and Type 12
- Conforms to NEMA standard for Type 4 and Type 12

Finish

- Wash and phosphate undercoat
- ANSI 61 gray polyester powder finish

Accessories

- Premier panels
- Security latch inserts
- NEMA panel adapters
- Mounting foot kits
- Depth adjustment brackets
- EIA/TIA rack mounting angles
- Print pockets
- Swing-out panels
- Padlockable or keyed handles
- See Accessories section, pages 154-159

Construction

- Enclosure and door are fabricated from code gauge steel (see page 151)
- All continuous welded seams are finished smooth
- Hardware kit provided contains grounding hardware, .312-18 flanged hex nuts for panel mounting, and sealing washers for body mounting holes

Body Construction

- Body flange trough design is formed around body opening to divert liquid contaminants away from door opening
- Reduced width flange design increases enclosure opening
- Ground stud provided on enclosure body and on door
- .312-18 collar studs are provided for mounting optional Premier panels
- Enclosure mounting holes in body provided for direct mounting or optional mounting feet

Door Construction

- Doors are secured to the body with a concealed hinge design on one side and slotted quarter-turn flush latch(es) on the opposite side
- Flush cover for recessed wall-mounting
- Doors are easily removed and interchangeable
- Door has a seamless poured in-place gasket
- Door opens 90° for easy access

Discount Schedule: C2

Subclass: TC0

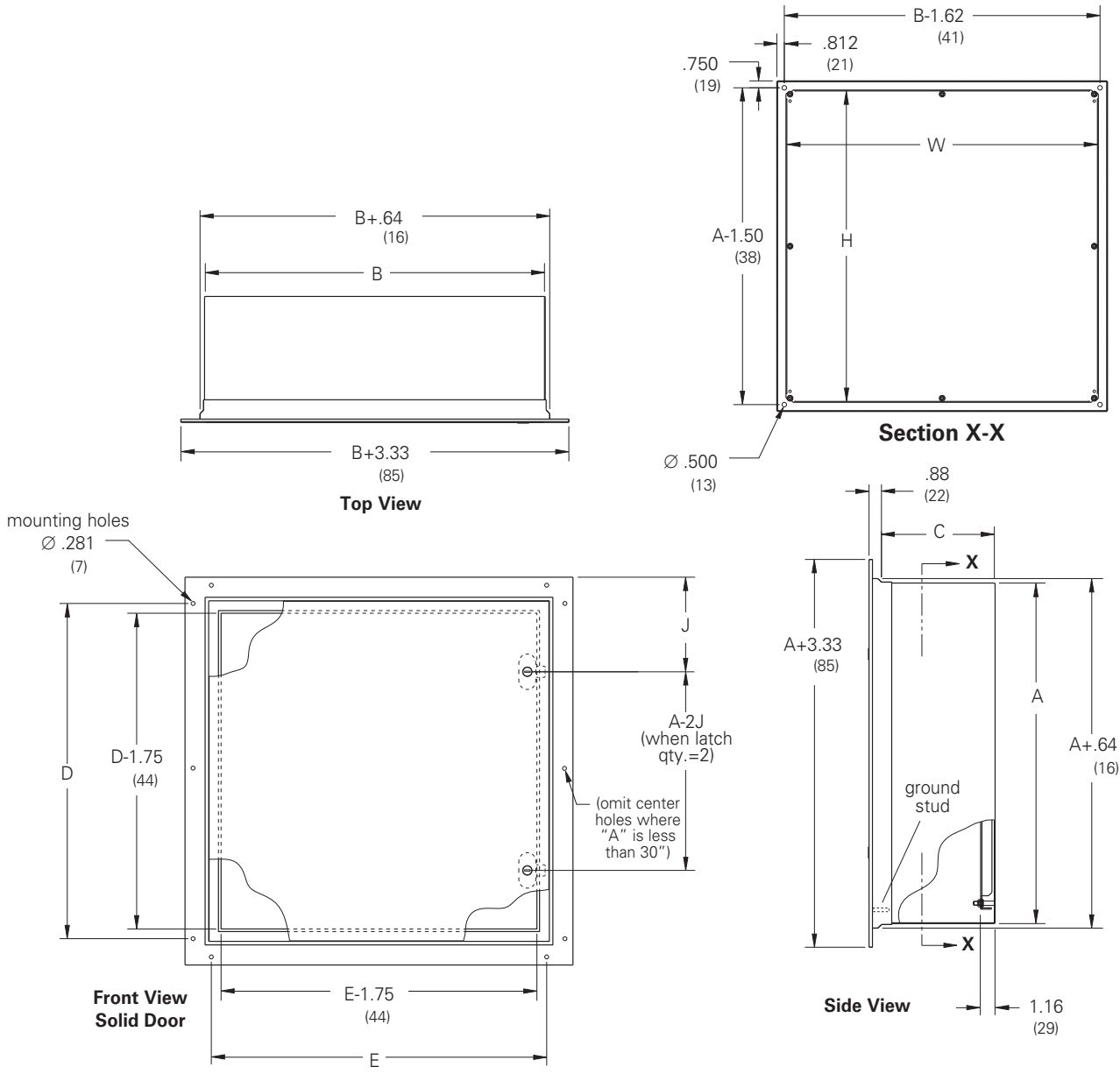
Notes: We can provide special sizes, finishes and other modifications. Consult the factory for your special requirements.

Wall-Mount Enclosures

Type 4 Premier™ Series Flush-Mount with Quarter-Turn Latches

Illustration Sheet and Catalog Number

Enclosure Catalog Number Solid Door	Enclosure Size A x B x C		Door/Body Gauge	Panel Catalog Number	Panel Size H x W		Mounting D x E		Latch Qty.	J	
	in.	mm			in.	mm	in.	mm		in.	mm
12126-FM	12x12x6	305x305x152	16/16	1212P	10.00x10.00	254x254	11.62x11.62	295x295	1	6.00	152
16126-FM	16x12x6	406x305x152	16/16	1612P	14.00x10.00	356x254	15.62x11.62	397x295	1	8.00	203
20166-FM	20x16x6	508x406x152	16/16	2016P	18.00x14.00	457x356	19.62x15.62	498x397	1	10.00	254
20206-FM	20x20x6	508x508x152	16/16	2020P	18.00x18.00	457x457	19.62x19.62	498x498	1	10.00	254
24208-FM	24x20x8	610x508x152	16/16	2420P	22.00x18.00	559x457	23.62x19.62	600x498	1	5.00	127
24248-FM	24x24x8	610x610x152	14/16	2424P	22.00x22.00	559x559	23.62x23.62	600x600	2	5.00	127
30248-FM	30x24x8	762x610x152	14/16	3024P	28.00x22.00	711x559	29.62x23.62	752x600	2	5.00	127



Type 4 Panel Enclosures

Notes: Dimensions are in inches. Millimeters shown are for reference only. Data subject to change without notice.

Panel Enclosures

Wall-Mount Enclosures

Type 12 Premier™ Series Double-Door with Quarter-Turn Latches

Data Sheet



Application

- Houses electrical controls and instruments
- Protects against circulating and windblown dust, falling dirt and dripping non-corrosive liquids

Standards

- UL 508A Listed, Type 12
- cUL Listed, Type 12
- Conforms to NEMA standard for Type 12
- Wall-mounting bracket required to maintain UL/CSA external mounting requirements

Finish

- Wash and phosphate undercoat
- ANSI 61 gray polyester powder finish

Accessories

- Premier panels
- NEMA panel adapters
- Depth adjustment brackets
- Print pockets
- Padlockable or keyed handles
- Security latch inserts
- Mounting foot kits
- See Accessories section, pages 154-159

Construction

- Enclosure and door are fabricated from code gauge steel (see page 153)
- All continuous welded seams are finished smooth
- Hardware kit provided contains grounding hardware, .312-18 flanged hex nuts for panel mounting, and sealing washers for body mounting holes

Body Construction

- Body flange trough design is formed around body opening to divert liquid contaminants away from door opening
- Reduced width flange design increases enclosure opening
- Ground stud provided on enclosure body and on door
- .312-18 collar studs are provided for mounting optional Premier panels
- Enclosure mounting holes in body provided for direct mounting or optional mounting feet

Door Construction

- Doors are secured to the body with a concealed hinge design on one side and slotted quarterturn flush latch(es) on the opposite side
- Doors are easily removed and interchangeable
- Door opens 180° for easy access
- Doors have a fixed, oil-resistant gasket

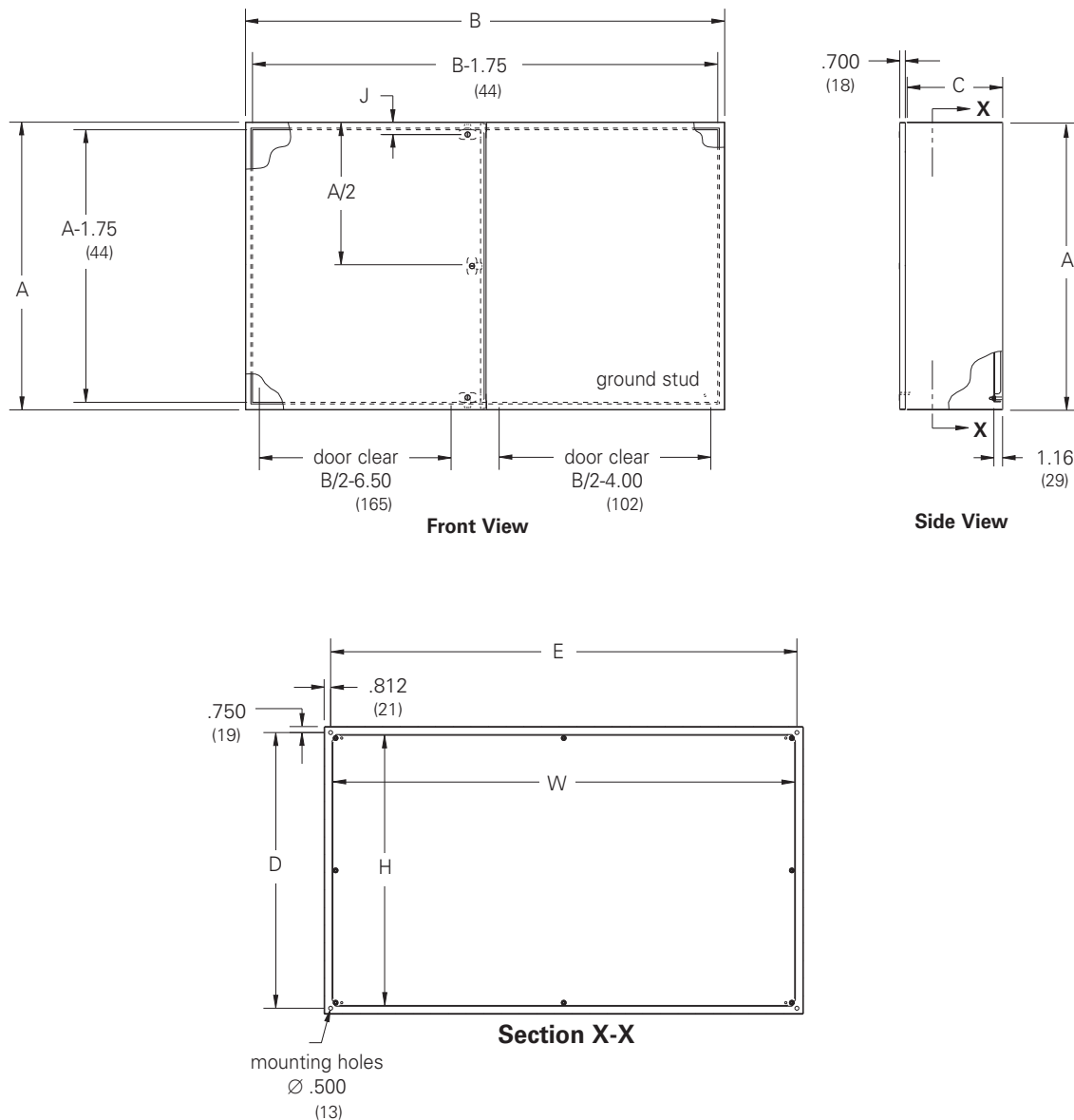
Discount Schedule: C2

Subclass: TC0

Notes: We can provide special sizes, finishes and other modifications. Consult the factory for your special requirements.

Wall-Mount Enclosures Type 12 Premier™ Series Double-Door with Quarter-Turn Latches Illustration Sheet and Catalog Number

Enclosure Catalog Number Solid Door	Enclosure Size A x B x C		Door/Body Gauge	Panel Catalog Number	Panel Size H x W		Mounting D x E		Latch Qty.	J	
	in.	mm			in.	mm	in.	mm		in.	mm
24428-TD	24	42x8	610x1067x203	14/14	2442P	22.00x40.00	559x1016	22.50x40.37	572x1026	3	5.00 127
30488-TD	30	48x8	762x1219x203	14/14	3048P	28.00x46.00	711x1168	28.50x46.37	724x1178	3	5.00 127
306012-TD	30	60x12	762x1524x305	14/14	3060P	28.00x58.00	711x1473	28.50x58.37	724x1483	3	5.00 127
364812-TD	36	48x12	914x1219x305	14/14	4836P	34.00x46.00	864x1168	34.50x46.37	876x1178	3	5.00 127
366012-TD	36	60x12	914x1524x305	14/14	6036P	34.00x58.00	864x1473	34.50x58.37	876x1483	3	5.00 127



Type 4 Panel Enclosures

Notes: Dimensions are in inches. Millimeters shown are for reference only. Data subject to change without notice.

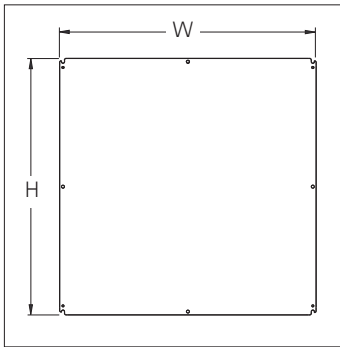
Type 4 Panel Enclosures

Premier™ Series Accessories

Discount Schedule: C2

Panels Subclass: TDP

Premier panels can be installed in any Premier Series enclosure and are up to 20% larger than standard NEMA panels. Panels above 24" are flanged. Steel panels have a white polyester powder paint finish. Stainless Steel and conductive galvanized sizes are available as shown in chart.



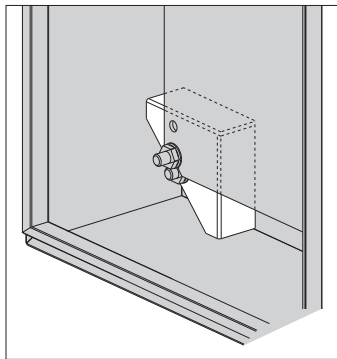
Catalog Number			Panel Size H x W		Gauge
Conductive	Steel	Stainless	in.	mm	
108GP	108P	108PSS4	8.00 x 6.00	203 x 152	14
1210GP	1210P	1210PSS4	10.00 x 8.00	254 x 203	14
1212GP	1212P	1212PSS4	10.00 x 10.00	254 x 254	14
1612GP	1612P	1612PSS4	14.00 x 10.00	356 x 254	14
1616GP	1616P	1616PSS4	14.00 x 14.00	356 x 356	12
2016GP	2016P	2016PSS4	18.00 x 14.00	457 x 356	12
2020GP	2020P	2020PSS4	18.00 x 18.00	457 x 457	12
2416GP	2416P	2416PSS4	22.00 x 14.00	559 x 356	12
2420GP	2420P	2420PSS4	22.00 x 18.00	559 x 457	12
2424GP	2424P	2424PSS4	22.00 x 22.00	559 x 559	12
2442GP	2442P	2442PSS4	22.00 x 40.00	559 x 1016	12
3020GP	3020P	3020PSS4	28.00 x 18.00	711 x 457	12
3024GP	3024P	3024PSS4	28.00 x 22.00	711 x 559	12
3030GP	3030P	3030PSS4	28.00 x 28.00	711 x 711	12
3048GP	3048P	3048PSS4	28.00 x 46.00	711 x 1168	12
3060GP	3060P	3060PSS4	28.00 x 58.00	711 x 1473	12
3624GP	3624P	3624PSS4	34.00 x 22.00	864 x 559	12
3630GP	3630P	3630PSS4	34.00 x 28.00	864 x 711	12
3636GP	3636P	3636PSS4	34.00 x 34.00	864 x 864	12
4230GP	4230P	4230PSS4	40.00 x 28.00	1016 x 711	12
4236GP	4236P	4236PSS4	40.00 x 34.00	1016 x 864	12
4824GP	4824P	4824PSS4	46.00 x 22.00	1168 x 559	12
4836GP	4836P	4836PSS4	46.00 x 34.00	1168 x 864	12
6036GP	6036P	6036PSS4	58.00 x 34.00	1473 x 864	12

NEMA Panel Adapters Subclass: TD0

NEMA panel adapters allow standard NEMA panels to be used in Premier series enclosures. Decreased height and width of NEMA panels increase space around panel for wire management. Kit includes four adapters and four .375-16 flanged hex nuts.

Finish: Zinc Plated

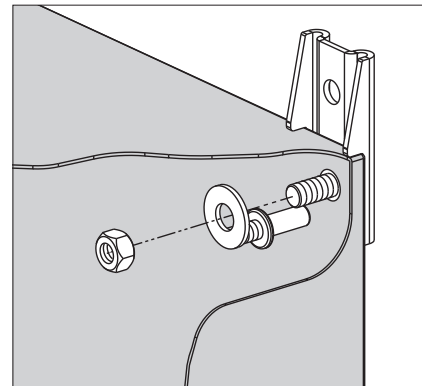
(Note: Cannot be used with enclosures 12" x 12" (305 mm x 305 mm) or smaller.)



Catalog Number	Qty.	For use with Premier Enclosures
PCK4	4	30" x 30" or smaller

Mounting Foot Kits Subclass: TD0

Mounting foot kits are available in stainless steel. Four feet and hardware are included.



Catalog Number	Qty.	Description
WMK	4	Zinc Plated Steel

Notes: Dimensions are in inches. Millimeters shown are for reference only. Data subject to change without notice.

Premier™ Series Accessories

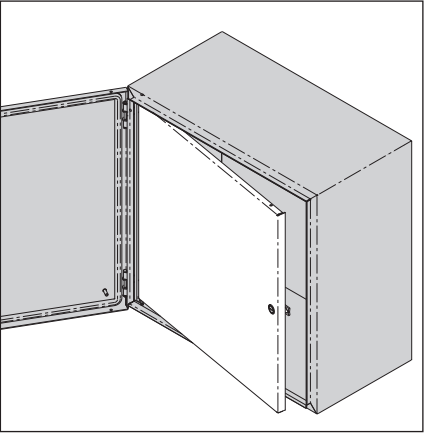
Discount Schedule: C2

Subclass: TD0

Swing-Out Panels

Swing-out panels offer a means for mounting user components and equipment near the front of an enclosure opening. Panel pivots from front of enclosure to allow easy access to internal equipment. Swing-out panels are 14 gauge with a white polyester powder finish and includes all hardware for mounting to front flange of enclosure.

(Note: Cannot be used in conjunction with depth adjustment brackets).



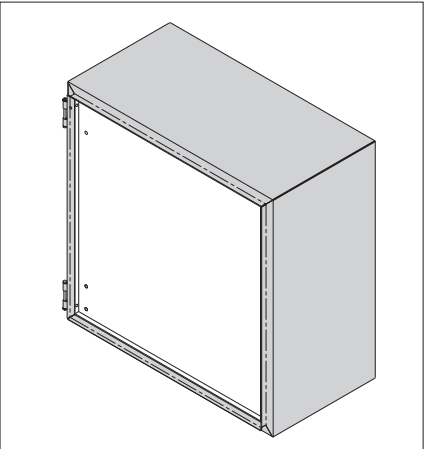
Note: Swing-out panel distance from panel face to inside of enclosure cover equals 1 1/4".

Catalog Number	Panel Size		For use with Premier Enclosures A x B
	Height	Width	
1212SP	9.78 x 9.84	248 x 250	12"x12"
1612SP	13.78 x 9.84	350 x 250	16"x12"
1616SP	13.78 x 13.84	350 x 352	16"x16"
1620SP	13.78 x 17.84	350 x 453	16"x20"
2016SP	17.78 x 13.84	452 x 352	20"x16"
2020SP	17.78 x 17.84	452 x 453	20"x20"
2024SP	17.78 x 21.84	452 x 555	20"x24"
2416SP	21.78 x 13.84	553 x 352	24"x16"
2420SP	21.78 x 17.84	553 x 453	24"x20"
2424SP	21.78 x 21.84	553 x 555	24"x24"
3020SP	27.78 x 17.84	706 x 453	30"x20"
3024SP	27.78 x 21.84	706 x 555	30"x24"
3030SP	27.78 x 27.84	706 x 707	30"x30"
3624SP	33.78 x 21.84	858 x 555	36"x24"
3630SP	33.78 x 27.84	858 x 707	36"x30"
3636SP	33.78 x 33.84	858 x 860	36"x36"

Dead Front Panels

Dead front kits offer a means for mounting user components and equipment near the front of an enclosure opening. Also, creates a barrier and controls access to the enclosure interior. Kit includes ANSI 61 gray panel and all hardware for mounting to enclosures.

(Note: Cannot be used in conjunction with depth adjustment brackets).

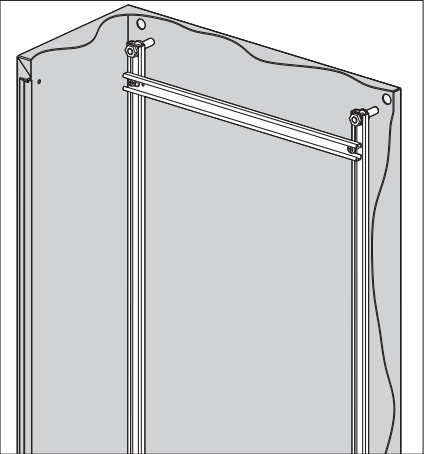


Note: Dead front panel distance from panel face to inside of enclosure cover equals 1 1/4".

Catalog Number	For use with Premier Enclosures A x B
1612DF	16"x12"
2016DF	20"x16"
2020DF	20"x20"
2420DF	24"x20"
2424DF	24"x24"
3024DF	30"x24"

Mounting Channels

Mounting channels create a vertical or horizontal framework for DIN rail, flexible mounting straps, or other component attachment. Two channels provided for mounting on enclosure collar studs. Finish: Zinc Plated



Catalog Number	Qty.	For use with Premier Enclosures
16MC	2	16" height or width
20MC	2	20" height or width
24MC	2	24" height or width
30MC	2	30" height or width
36MC	2	36" height or width
42MC	2	42" height or width
48MC	2	48" height or width
60MC	2	60" height or width

Notes: Dimensions are in inches. Millimeters shown are for reference only. Data subject to change without notice.

Type 4 Panel Enclosures

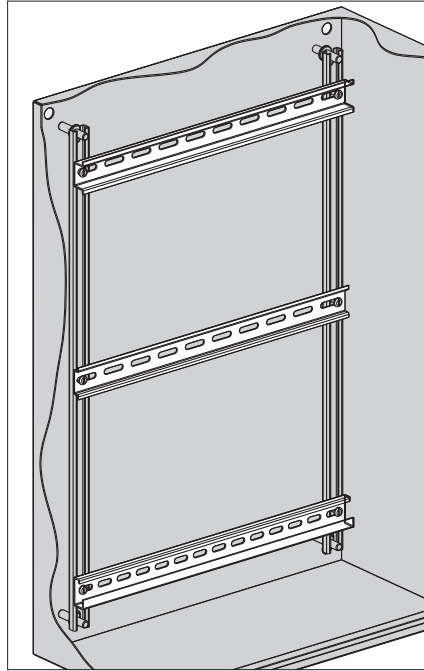
Premier™ Series Accessories

Discount Schedule: C2

Subclass: TD0

DIN Rail Kits

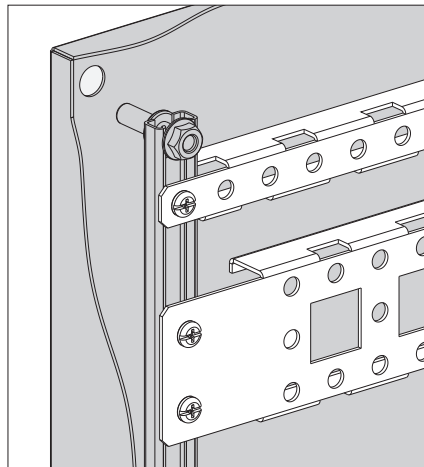
DIN rail kits provide flexibility for mounting DIN type snap-on equipment. Three styles; TS32x15, slotted; TS35x7.5, slotted; TS35x15, slotted all attach to collar studs either horizontally or vertically. Three DIN rails, screws and channel nuts are provided. Finish: Yellow Zinc



Catalog Number	Description	For use with Premier Enclosures
12DR1P	TS32 x 15, slotted	12" height or width
16DR1P	TS32 x 15, slotted	16" height or width
20DR1P	TS32 x 15, slotted	20" height or width
24DR1P	TS32 x 15, slotted	24" height or width
12DR3P	TS35 x 7.5, slotted	12" height or width
16DR3P	TS35 x 7.5, slotted	16" height or width
20DR3P	TS35 x 7.5, slotted	20" height or width
24DR3P	TS35 x 7.5, slotted	24" height or width
12DRCP	TS35 x 15, slotted	12" height or width
16DRCP	TS35 x 15, slotted	16" height or width
20DRCP	TS35 x 15, slotted	20" height or width
24DRCP	TS35 x 15, slotted	24" height or width

Flexible Mounting Straps

Flexible mounting straps offer a versatile, horizontal or vertical mounting method inside enclosure body. Two designs; 1-hole or 3-hole pattern increase mounting flexibility and attach to enclosure collar studs. Flexible mounting strap kit contains two straps and hardware. Finish: Zinc Plated



Catalog Number	Description	Fits Premier Premier Enclosures
12GS1	1 hole	12" height or width
16GS1	1 hole	16" height or width
20GS1	1 hole	20" height or width
24GS1	1 hole	24" height or width
30GS1	1 hole	30" height or width
36GS3	3 hole	36" height or width
42GS3	3 hole	42" height or width
48GS3	3 hole	48" height or width
60GS3	3 hole	60" height or width

Notes: Dimensions are in inches. Millimeters shown are for reference only. Data subject to change without notice.

Premier™ Series Accessories

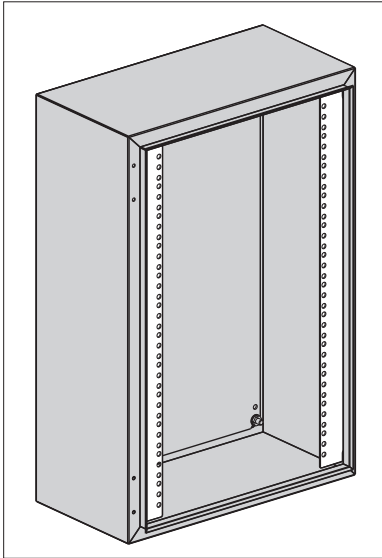
Discount Schedule: C2

Subclass: TD0

Rack Mounting Angles

Relay rack angles are designed for mounting EIA 19" rack mount equipment inside 24" wide enclosures. Fabricated from 14 gauge steel and zinc plated. Rack angles are mounted to enclosure flange with hardware provided. Rack mount angles are untapped and require screws and cage nuts for equipment mounting (order separately).

Finish: Zinc Plated



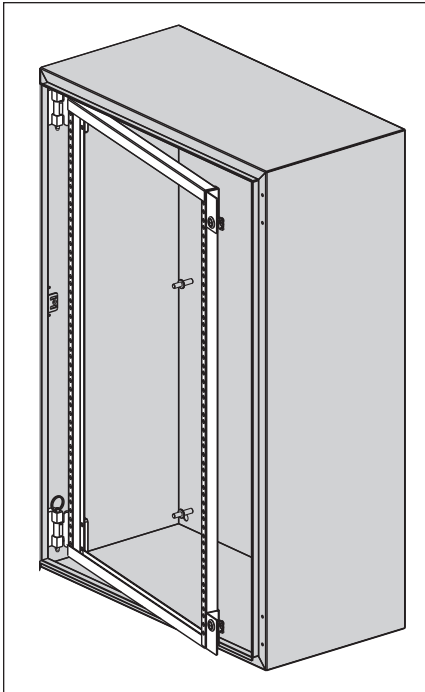
Catalog Number	For use with Premier Enclosures	Mounting Units
10URMA	20" height	10
12URMA	24" height	12
16URMA	30" height	16
19URMA	36" height	19
26URMA	48" height	26

Universal Spacing [5/8" (16mm), 5/8" (16mm), 1/2" (13mm)]

Swing-Out Rack Frames

Swing-out rack frames allow mounting of EIA 19" rack mount equipment. Flexible pivoting framework provides access to back of equipment or other internal components. Designed for use with 24" wide Premier series enclosures. Mounting hardware included. Swing-out rack frame holes are untapped and require screws and cage nuts for equipment mounting (order separately).

(Note: Cannot be used in conjunction with depth adjustment brackets).
Finish: ANSI Gray Polyester Powder



Catalog Number	For use with Premier Enclosures	Mounting Units
2424SF	24" x 24"	11
3024SF	30" x 24"	15
3624SF	36" x 24"	18

Universal Spacing [5/8" (16mm), 5/8" (16mm), 1/2" (13mm)]

Type 4 Panel Enclosures

Notes: Dimensions are in inches. Millimeters shown are for reference only. Data subject to change without notice.

Type 4 Panel Enclosures

Premier™ Series Accessories

Discount Schedule: C2

Subclass: TD0

Handles

Padlocking, key-locking or non-locking handles are interchangeable with standard slotted quarter-turn flush latch on Premier series enclosures. Available keyed alike or keyed different, please specify when ordering.



Catalog Number	Description
WMHNL	Wall-mount handle, non-locking
WMHK-01	Wall-mount handle, key-locking - keyed 01
WMHK-02	Wall-mount handle, key-locking - keyed 02
WMHK-03	Wall-mount handle, key-locking - keyed 03
WMHK-04	Wall-mount handle, key-locking - keyed 04
WMHPTO	Wall-mount handle, padlockable

Security Latch Inserts

Security latch inserts interchange with slotted quarter-turn flush latch and provide security and control access to interior of enclosure. Inserts include matching key.



7MTLK

Catalog Number	Description
7MTLK	7mm triangular latch insert
7MSLK	7mm square latch insert
3MDBLK	3mm double bit latch insert



7MSLK



3MDBLK

Print Pockets

Print pockets provide a convenient place to store operation manuals, diagrams, or other documents inside the enclosure. Thermoplastic pockets are gray and have cut away areas for viewing contents. Pockets have adhesive backing for mounting inside on enclosure door.



Catalog Number	Length x Width
32170	6" x 6"
32171	10" x 10"

Notes: Dimensions are in inches. Millimeters shown are for reference only. Data subject to change without notice.

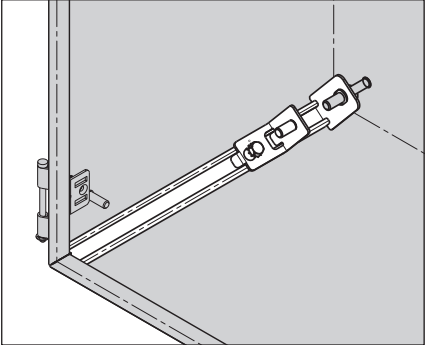
Premier™ Series Accessories

Discount Schedule: C2

Subclass: TD0

Depth Adjustment Brackets

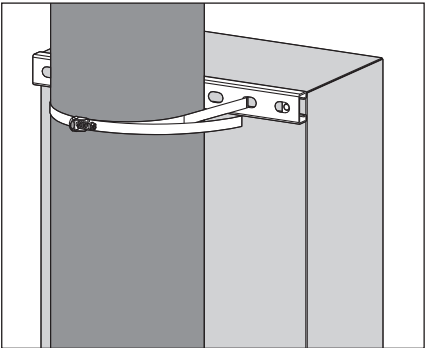
Depth adjustment brackets allow variable depth mounting of premier accessories. Designed for use with 6", 8" or 12" deep enclosures. Kit is available in quantities of 4 or 2 and includes mounting channel, adjustable mechanism and hardware. When enclosure has 6 collar studs, use two kits. **(Note:** Not for use with swing-out rack frame, dead front panel or swing-out panel). Finish: Zinc Plated



Catalog Number	Qty.	For use with Premier Enclosures
64AMK	4	6" depth or greater
84AMK	4	8" depth or greater
82AMK	2	8" depth or greater
124AMK	4	12" depth or greater
122AMK	2	12" depth or greater

Pole Mounting Kits

Pole mounting kits allow installation of enclosure on round or rectangular poles. Kit includes hot dip galvanized after fabrication strut channel, stainless steel band and hardware for top and bottom mounting of enclosure.



Note: Pole diameter range 4" minimum to 12" maximum.

Catalog Number	For use with Premier Enclosures
12PMK	12" width
16PMK	16" width
20PMK	20" width
24PMK	24" width
30PMK	30" width

Hardware

Phillips head screws and cage nuts are available in #10-32, #12-24 or M6 and allow mounting of equipment to untapped holes in rack mounting angles and swing-out rack frame.



Catalog Number	Screw Type
E2-MA-1032-PHMS-100	#10-32 Phillips
E2-MA-1224-PHMS-100	#12-24 Phillips
E2-MA-M6-PHMS-100	M6 Phillips

Catalog Number	Cage Nut Type
E2-MA-CN-1032-100	#10-32 Tapped
E2-MA-CN-1224-100	#12-24 Tapped
E2-MA-CN-M6-100	M6 Tapped

Sold in bags of 100 pieces.

Type 4 Panel Enclosures

Notes: Dimensions are in inches. Millimeters shown are for reference only. Data subject to change without notice.

Type 4 Panel Enclosures

Wall-Mount Enclosures Type 4 Single-Door with 3-Point Locking Data Sheet and Catalog Number



Finish

- Wash and phosphate undercoat
- ANSI 61 gray polyester powder finish

Accessories

- Panels
- Swing-out panel kit
- NEMA terminal kit
- Window Kits
- Floor stand kit
- Replacement handle, T4PKHB, (see page 427)

Construction

- Enclosure and door are fabricated from code gauge steel, (see pages 160 & 161)
- All continuous welded seams are finished smooth
- Continuous hinge with stainless steel hinge pin
- Internal 3-point latching with a keylocking and padlock handle
- Door has a seamless poured in-place gasket
- Formed lip around enclosure opening diverts liquids and contaminants
- Ground stud provided on door and body
- Print pocket provided
- .375-16 colar studs are provided for mounting optional panel
- External mounting feet

Application

- Houses electrical controls and instruments
- Intended for indoor or outdoor use
- Protects against windblown dust and rain, splashing water and hose directed water

Standards

- UL 508A listed, Type 4, Type 12
- CSA C22.2 No.94 certified, Type 4, Type 12
- Conforms to NEMA standard for Type 3, Type 4, Type 12

Discount Schedule: C2

Subclass: DF3

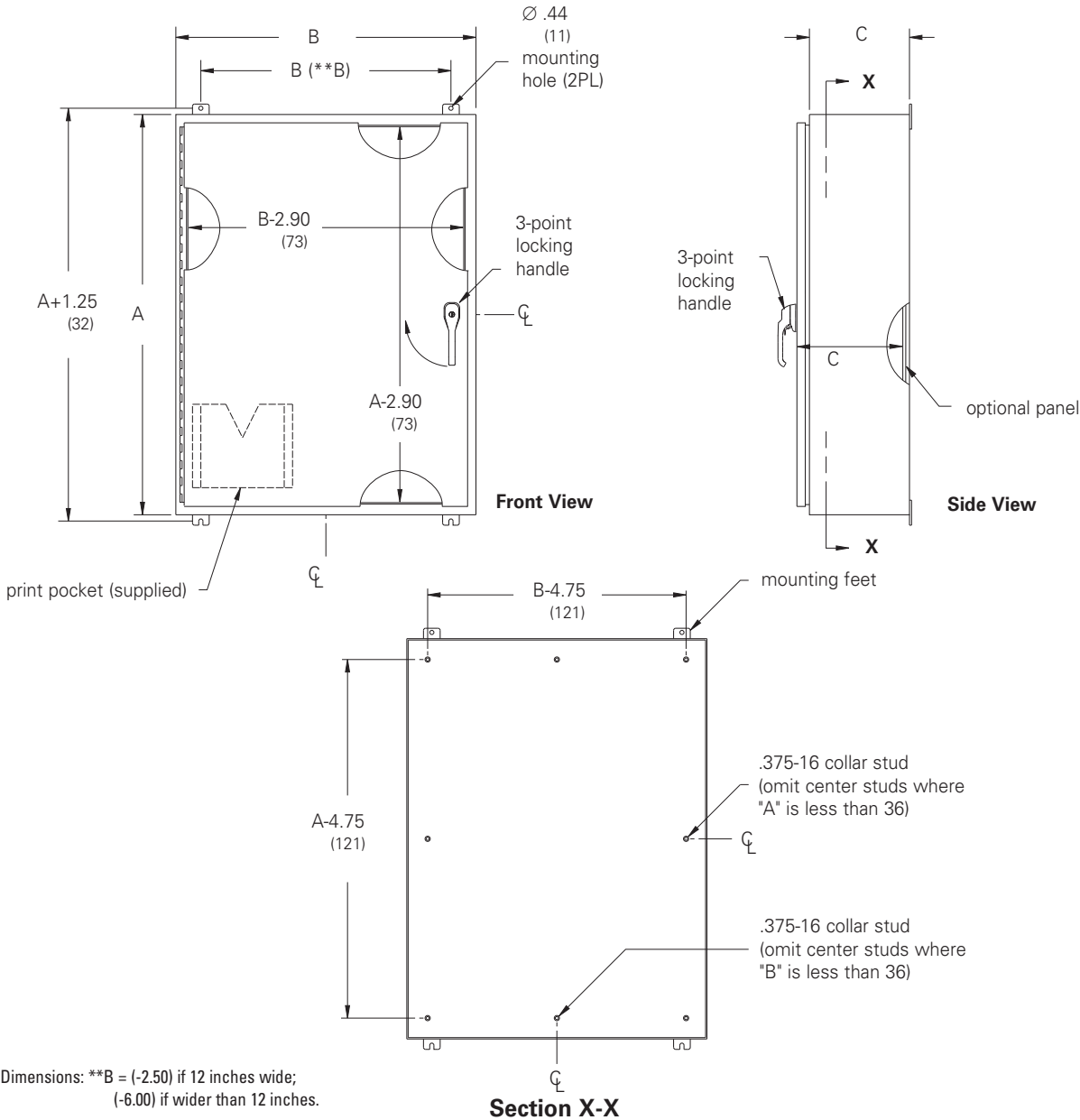
Type 4 Panel Enclosures

Enclosure Catalog Number	Enclosure Size Height x Width x Depth A x B x C		Gauge	Panel Catalog Number	Conductive Catalog Number	Panel Size Panel Height x Width	
	in.	mm				in.	mm
24206-43PT	24 x 20 x 6	609 x 508 x 152	16	AW2420P	AW2420GP	20.87 x 16.87	530 x 429
24208-43PT	24 x 20 x 8	609 x 508 x 203	16	AW2420P	AW2420GP	20.87 x 16.87	530 x 429
24248-43PT	24 x 24 x 8	609 x 609 x 203	14	AW2424P	AW2424GP	20.87 x 20.87	530 x 530
30248-43PT	30 x 24 x 8	762 x 609 x 203	14	AW3024P	AW3024GP	26.87 x 20.87	682 x 530
30308-43PT	30 x 30 x 8	762 x 762 x 203	14	AW3030P	AW3030GP	26.87 x 26.87	682 x 682
36248-43PT	36 x 24 x 8	914 x 609 x 203	14	AW3624P	AW3624GP	32.87 x 20.87	835 x 530
36308-43PT	36 x 30 x 8	914 x 762 x 203	14	AW3630P	AW3630GP	32.87 x 26.87	835 x 682
48368-43PT	48 x 36 x 8	1219 x 914 x 203	14	AW4836P	AW4836GP	44.87 x 32.87	1139 x 835
242010-43PT	24 x 20 x 10	609 x 508 x 254	16	AW2420P	AW2420GP	20.87 x 16.87	530 x 429
363010-43PT	36 x 30 x 10	914 x 762 x 254	14	AW3630P	AW3630GP	32.87 x 26.87	835 x 682
483610-43PT	48 x 36 x 10	1219 x 914 x 254	14	AW4836P	AW4836GP	44.87 x 32.87	1139 x 835

Notes: We can provide special sizes, finishes and other modifications. Consult the factory for your special requirements.

Wall-Mount Enclosures Type 4 Single-Door with 3-Point Locking Illustration Sheet and Catalog Number

Enclosure Catalog Number	Enclosure Size Height x Width x Depth A x B x C		Gauge	Panel Catalog Number	Conductive Catalog Number	Panel Size Panel Height x Width	
	in.	mm				in.	mm
242412-43PT	24 x 24 x 12	609 x 609 x 305	14	AW2424P	AW2424GP	20.87 x 20.87	530 x 530
302412-43PT	30 x 24 x 12	762 x 609 x 305	14	AW3024P	AW3024GP	26.87 x 20.87	682 x 530
363012-43PT	36 x 30 x 12	914 x 762 x 305	14	AW3630P	AW3630GP	32.87 x 26.87	835 x 682
363612-43PT	36 x 36 x 12	914 x 914 x 305	14	AW3636P	AW3636GP	32.87 x 32.87	835 x 835
483612-43PT	48 x 36 x 12	1219 x 914 x 305	14	AW4836P	AW4836GP	44.87 x 32.87	1139 x 835
603612-43PT	60 x 36 x 12	1524 x 914 x 305	14	AW6036P	AW6036GP	56.87 x 32.87	1444 x 835
483616-43PT	48 x 36 x 16	1219 x 914 x 406	14	AW4836P	AW4836GP	44.87 x 32.87	1139 x 835
603616-43PT	60 x 36 x 16	1524 x 914 x 406	14	AW6036P	AW6036GP	56.87 x 32.87	1444 x 835



Note: Dimensions: ****B** = (-2.50) if 12 inches wide; (-6.00) if wider than 12 inches.

Notes: Dimensions are in inches. Millimeters shown are for reference only. Data subject to change without notice.

Type 4 Panel Enclosures

Type 4 Panel Enclosures

Wall-Mount Enclosures

Type 4 Double-Door with 3-Point Locking

Data Sheet and Catalog Number



Type 4 Panel Enclosures

Application

- Houses electrical controls and instruments
- Intended for indoor or outdoor use
- Protects against windblown dust and rain, splashing water and hose directed water

Standards

- UL 508A listed, Type 4, 12
- CSA C22.2 No.94 certified, Type 4, 12
- Conforms to NEMA standard for Type 3, 4, 12

Finish

- Wash and phosphate undercoat
- ANSI 61 gray polyester powder finish

Accessories

- Panels
- Window Kits
- Floor stand kit
- Lights
- Replacement handle, T4PKHB, (see page 427)

Construction

- Enclosure and door are fabricated from (14) gauge steel
- All continuous welded seams are finished smooth
- Heavy-duty continuous hinges with stainless steel hinge pins
- Internal 3-point latching with keylocking and padlock handles
- Removable centerpost for easy panel installation
- Doors have a seamless poured in-place gasket
- Formed lip around enclosure opening diverts liquids and contaminants
- Ground stud provided on door and body
- Print pocket provided
- .375-16 colar studs are provided for mounting optional panel
- External mounting feet

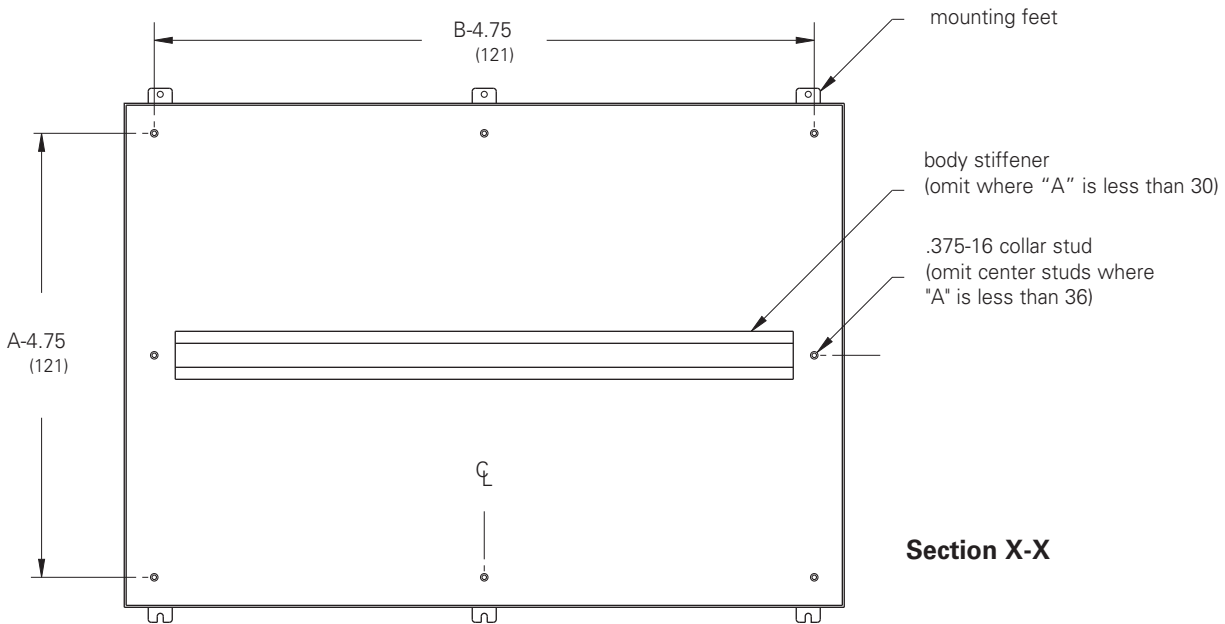
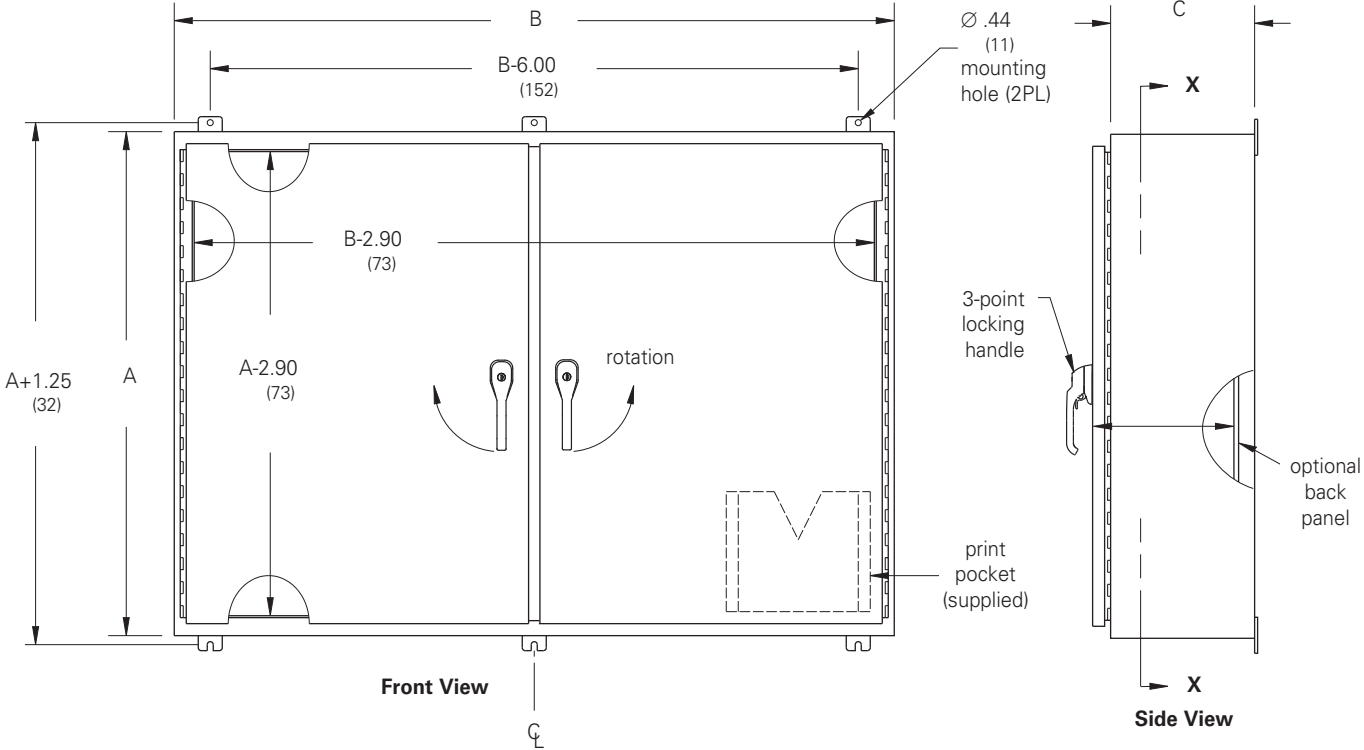
Discount Schedule: C2

Subclass: DF3

Enclosure Catalog Number	Enclosure Size Height x Width x Depth A x B x C		Panel Catalog Number	Conductive Panel Catalog Number	Panel Size Height x Width	
	in.	mm			in.	mm
244210-4D3PT	24.00 x 42.00 x 10.00	609 x 1067 x 254	AW4224P	--	38.87 x 20.87	987 x 530
304210-4D3PT	30.00 x 42.00 x 10.00	762 x 1067 x 254	AW4230P	AW4230GP	38.87 x 26.87	987 x 682
304810-4D3PT	30.00 x 48.00 x 10.00	762 x 1219 x 254	AW4830P	AW4830GP	44.87 x 26.87	1139 x 682
306010-4D3PT	30.00 x 60.00 x 10.00	762 x 1524 x 254	AW6030P	--	56.87 x 26.87	1444 x 682
364812-4D3PT	36.00 x 48.00 x 12.00	914 x 1219 x 305	AW4836P	AW4836GP	44.87 x 32.87	1139 x 835
366012-4D3PT	36.00 x 60.00 x 12.00	762 x 1524 x 305	AW6036P	AW6036GP	56.87 x 32.87	1444 x 835

Notes: We can provide special sizes, finishes and other modifications. Consult the factory for your special requirements.

Wall-Mount Enclosures Type 4 Double-Door with 3-Point Locking Illustration Sheet



Type 4 Panel Enclosures

Notes: Dimensions are in inches. Millimeters shown are for reference only. Data subject to change without notice.

Type 4 Panel Enclosures

Ground-Mount Enclosures Type 4 Double-Door Floor-Standing Data Sheet and Catalog Number



Type 4 Panel Enclosures

Application

- Houses electrical controls and instruments
- Intended for indoor or outdoor use
- Protects against windblown dust and rain, splashing water and hose directed water

Standards

- UL 508A listed, Type 4 and Type 12
- CSA C22.2 No.94 certified, Type 4 and Type 12
- Conforms to NEMA standard for Type 4 and Type 12

Finish

- Wash and phosphate undercoat
- ANSI 61 gray polyester powder finish

Accessories

- Panels
- Leg stabilizer kit
- Touch-up paint
- See Accessories section

Construction

- Enclosure and door are fabricated from (12) gauge steel
- All continuous welded seams are finished smooth
- Doors are secured to the body with removable concealed hinges and easy to remove stainless steel door clamps on three (3) sides
- Modern bevel profile on hinge side of enclosure doors
- Print pocket provided
- Each door has a padlock hasp with sealing hole provision
- Doors have a seamless poured in-place gasket
- Ground stud provided on doors and body
- Removable center post for complete front access
- Heavy gauge angle supports and .375-16 collar studs are provided for mounting optional panel
- Large lifting eyebolts are supplied
- Mounting legs are provided for floor mounting

Discount Schedule: C2

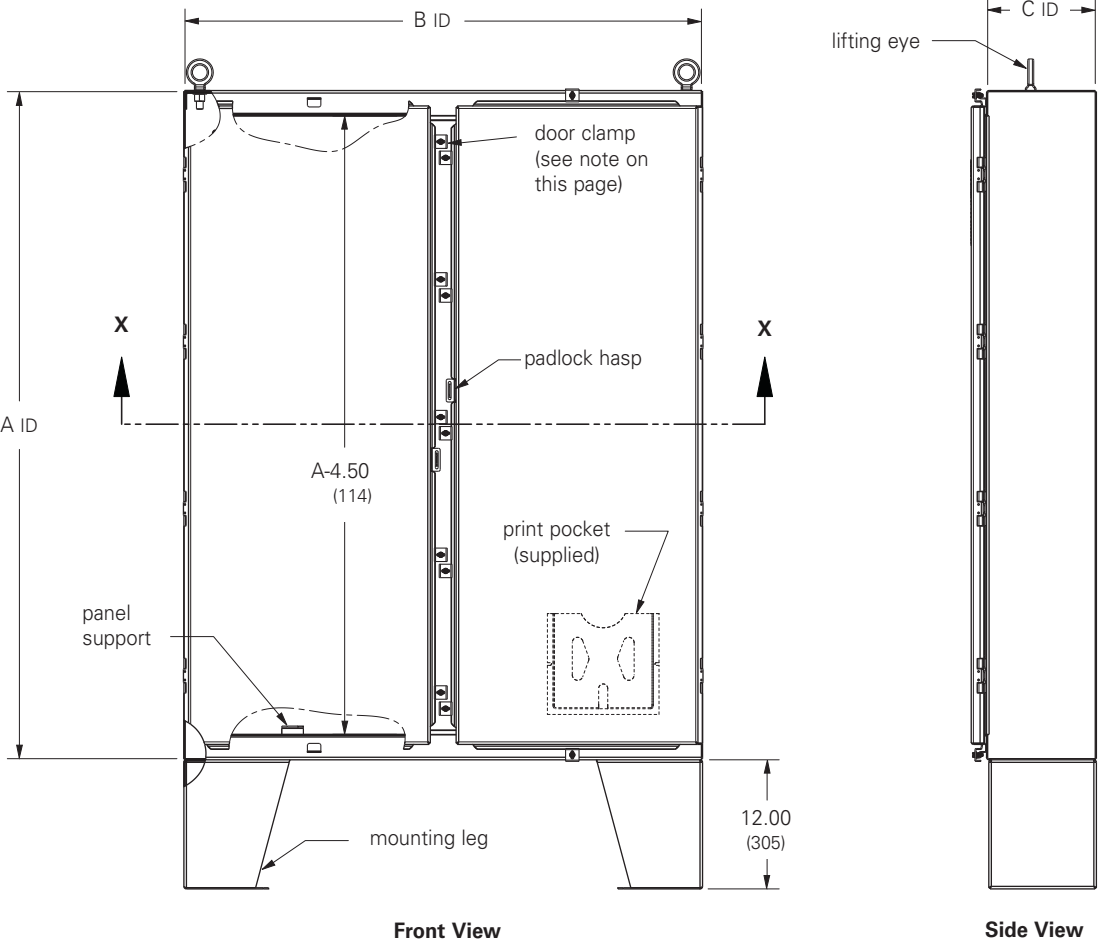
Subclass: D10

Enclosure Catalog Number	Enclosure Size Height x Width x Depth A x B x C		Panel Catalog Number	Panel Size Height x Width	
	in.	mm		in.	mm
624810-4FD	62.00 x 48.00 x 10.00	1575 x 1219 x 254	AW6048P	55.87 x 43.87	1419 x 1114
626012-4FD	62.00 x 60.00 x 12.00	1575 x 1524 x 305	AW6060P	55.87 x 55.87	1419 x 1419
746012-4FD	74.00 x 60.00 x 12.00	1880 x 1524 x 305	AW7260P	67.87 x 55.87	1724 x 1419
747212-4FD	74.00 x 72.00 x 12.00	1880 x 1829 x 305	AW7272P	67.87 x 67.87	1724 x 1724
747224-4FD	74.00 x 72.00 x 24.00	1880 x 1829 x 610	AW7272P	67.87 x 67.87	1724 x 1724

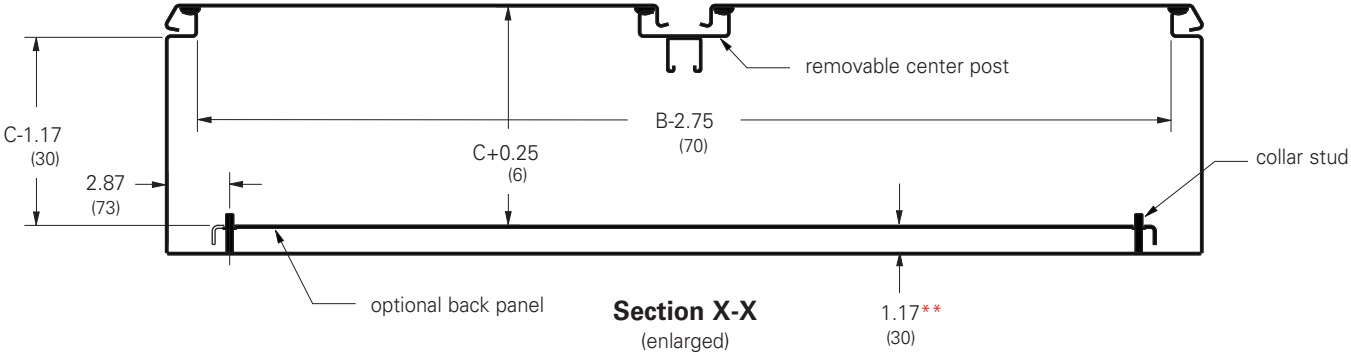
Notes: We can provide special sizes, finishes and other modifications. Consult the factory for your special requirements.

Ground-Mount Enclosures Type 4 Double-Door Floor-Standing Illustration Sheet

ID = Inside Dimension



Type 4 Panel Enclosures



** From top of panel stud flange to inside of enclosure

Notes: Clamps are mounted along three sides of the enclosure door. Spacing between clamps along side opposite the hinge does not exceed 15 inches. Four lifting eyes are furnished when C dimension is 24" (610 mm).
Dimensions are in inches. Millimeters shown are for reference only. Data subject to change without notice.

Type 4 Panel Enclosures

Ground-Mount Enclosures

Type 4 Double-Door Floor-Standing with Quarter-Turn Latches

Data Sheet and Catalog Number



Type 4 Panel Enclosures

Application

- Houses electrical controls and instruments
- Intended for indoor or outdoor use
- Protects against windblown dust and rain, splashing water and hose directed water

Standards

- UL 508A listed, Type 4 and Type 12
- CSA C22.2 No.94 certified, Type 4 and Type 12
- Conforms to NEMA standard for Type 3, Type 4, Type 12

Finish

- Wash and phosphate undercoat
- ANSI 61 gray polyester powder finish

Accessories

- Panels
- Panel Support Kit
- Panel Lifting Kit
- Leg stabilizer kit
- Lights
- Window kits

Construction

- Enclosure body (12) gauge and doors (14) gauge are fabricated from steel
- All continuous welded seams are finished smooth
- Doors are secured to the body with removable concealed hinges and quarter-turn flush latches on three (3) sides
- Modern bevel profile on both sides of enclosure doors
- Doors have a seamless poured in-place gasket
- Removable centerpost for easy panel installation
- Formed lip around enclosure opening diverts liquids and contaminants
- Ground stud provided on doors and body
- Print pocket provided
- Heavy gauge angle supports and .375-16 colar studs are provided for mounting optional panel
- Large lifting eyebolts
- Mounting legs

Discount Schedule: C2

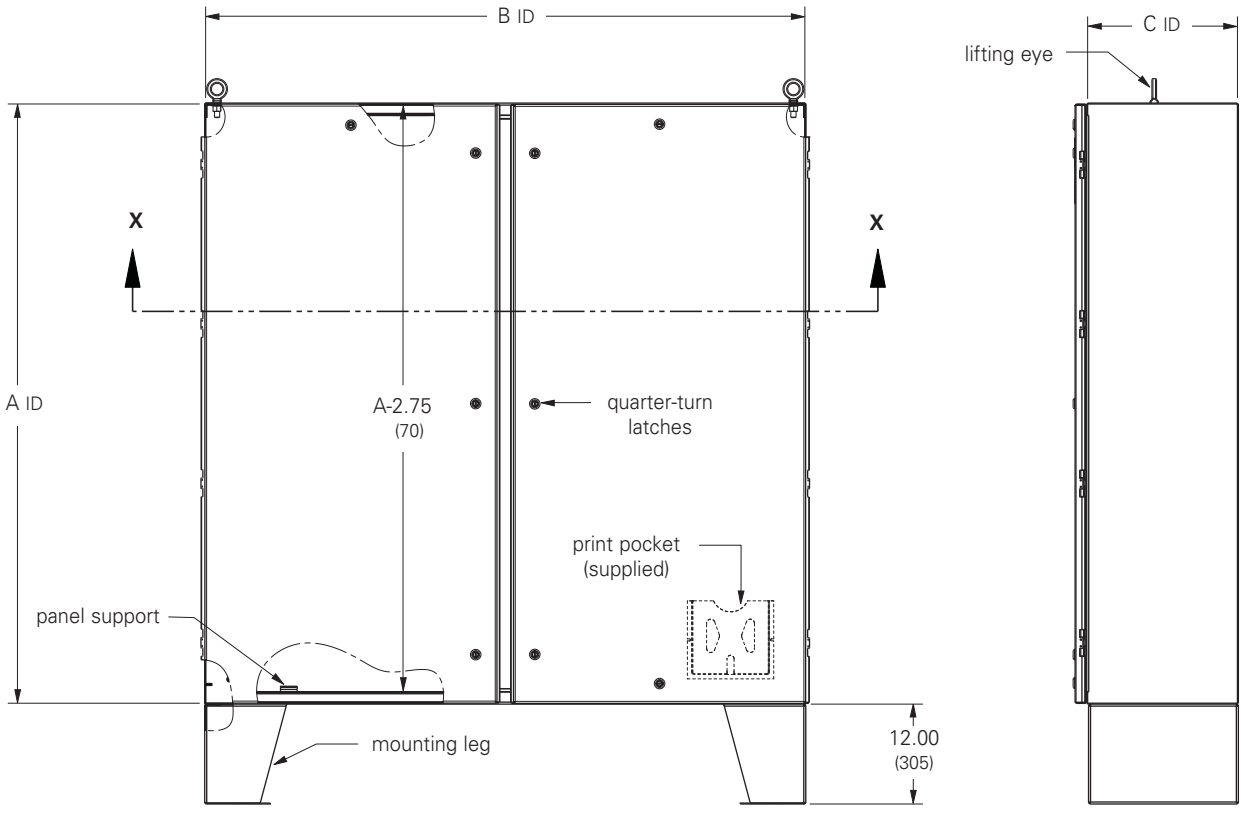
Subclass: DI2

Enclosure Catalog Number	Enclosure Size Height x Width x Depth A x B x C		Panel Catalog Number	Panel Size Height x Width	
	in.	mm		in.	mm
604812-4FDQT	60 x 48 x 12	1524 x 1219 x 305	AW6048P	55.87 x 43.87	1419 x 1114
606012-4FDQT	60 x 60 x 12	1524 x 1524 x 305	AW6060P	55.87 x 55.87	1419 x 1419
726012-4FDQT	72 x 60 x 12	1829 x 1524 x 305	AW7260P	67.87 x 55.87	1724 x 1419
727212-4FDQT	72 x 72 x 12	1829 x 1829 x 305	AW7272P	67.87 x 67.87	1724 x 1724
727224-4FDQT	72 x 72 x 24	1829 x 1829 x 609	AW7272P	67.87 x 67.87	1724 x 1724

Notes: We can provide special sizes, finishes and other modifications. Consult the factory for your special requirements.

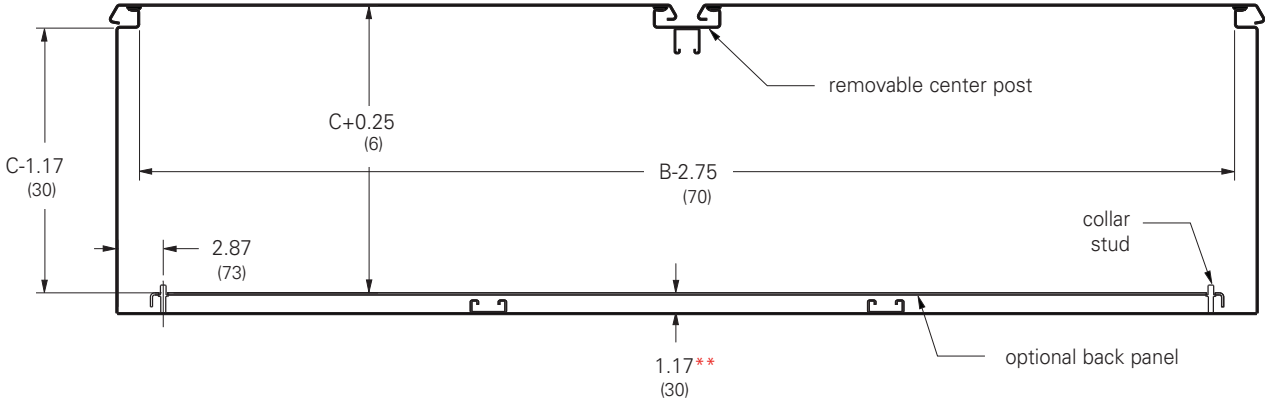
Ground-Mount Enclosures Type 4 Double-Door Floor-Standing with Quarter-Turn Latches Illustration Sheet

ID = Inside Dimension



Front View

Side View



Section X-X
(enlarged)

** From top of panel stud flange to inside of enclosure

Notes: Four lifting eyes are furnished when C dimension is 24" (610 mm).
Dimensions are in inches. Millimeters shown are for reference only. Data subject to change without notice.

Type 4 Panel Enclosures

Type 4 Panel Enclosures

Ground-Mount Enclosures

Type 4 Double-Door Floor-Standing with 3-Point Locking Locking

Data Sheet and Catalog Number



Type 4 Panel Enclosures

Application

- Houses electrical controls and instruments
- Intended for indoor or outdoor use
- Protects against windblown dust and rain, splashing water and hose directed water

Standards

- UL 508A listed, Type 4 and Type 12
- CSA C22.2 No.94 certified, Type 4 and Type 12
- Conforms to NEMA standard for Type 3, Type 4, Type 12

Finish

- Wash and phosphate undercoat
- ANSI 61 gray polyester powder finish

Accessories

- Panels
- Panel Support Kit
- Panel Lifting Kit
- Leg stabilizer kit
- Lights
- Window kits
- Replacement handle, BD-PKHB, (see page 429)

Construction

- Enclosure and doors are fabricated from (12) gauge steel
- All continuous welded seams are finished smooth
- Doors are secured to the body with removable concealed hinges and a center locating 3-point key-locking and padlock handle mechanism
- Additional quarter turn latches provided at the top and bottom on all enclosure doors
- Modern bevel profile on both sides of enclosure doors
- Doors have a seamless poured in-place gasket
- Removable centerpost for easy panel installation
- Formed lip around enclosure opening diverts liquids and contaminants
- Ground stud provided on doors and body
- Print pocket provided
- Heavy gauge angle supports and .375-16 colar studs are provided for mounting optional panel
- Large lifting eyebolts
- Mounting legs

Discount Schedule: C2

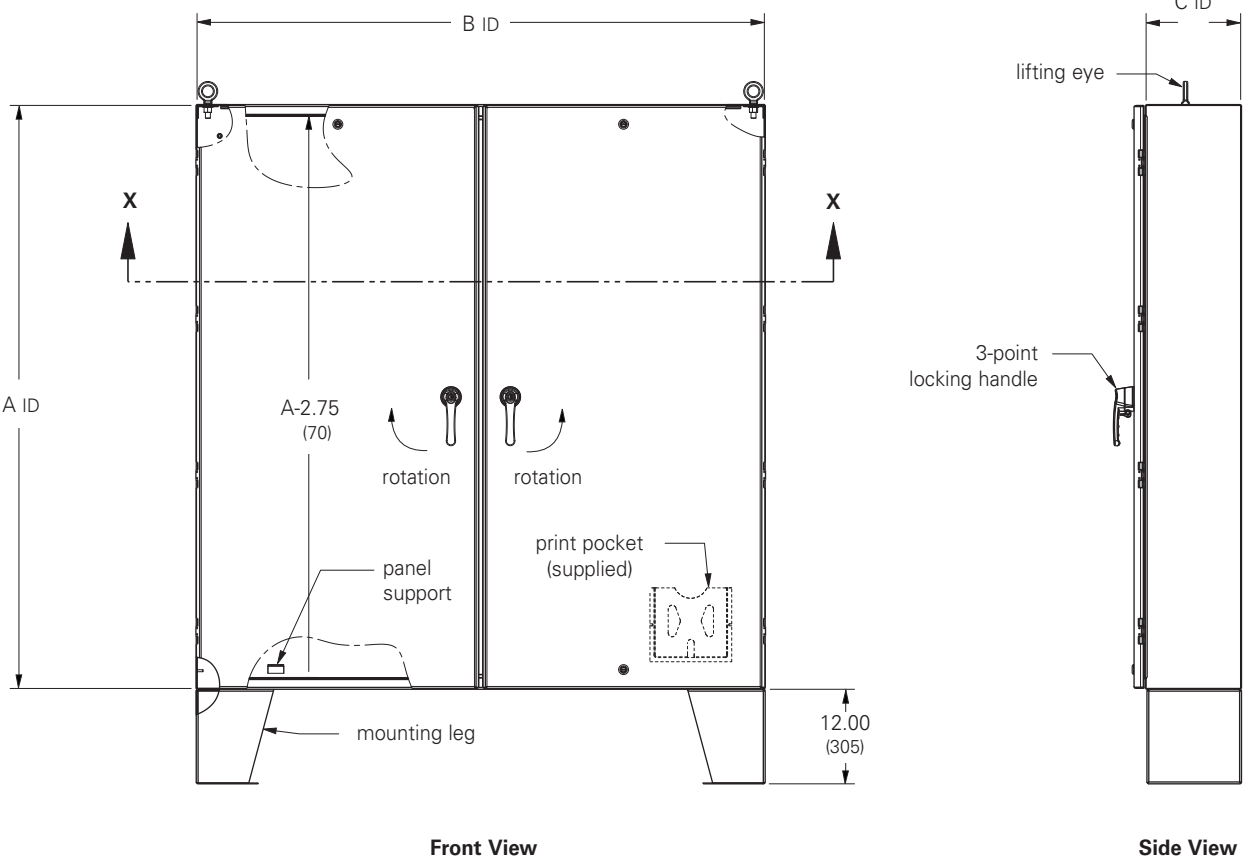
Subclass: DI3

Enclosure Catalog Number	Enclosure Size Height x Width x Depth A x B x C		Panel Catalog Number	Panel Size Height x Width	
	in.	mm		in.	mm
624810-4FD3PT	62 x 48 x 10	1575 x 1219 x 254	AW6048P	55.87 x 43.87	1419 x 1114
626012-4FD3PT	62 x 60 x 12	1575 x 1524 x 305	AW6060P	55.87 x 55.87	1419 x 1419
746012-4FD3PT	74 x 60 x 12	1879 x 1524 x 305	AW7260P	67.87 x 55.87	1724 x 1419
747212-4FD3PT	74 x 72 x 12	1879 x 1829 x 305	AW7272P	67.87 x 67.87	1724 x 1724
747224-4FD3PT	74 x 72 x 24	1879 x 1829 x 609	AW7272P	67.87 x 67.87	1724 x 1724

Notes: We can provide special sizes, finishes and other modifications. Consult the factory for your special requirements.

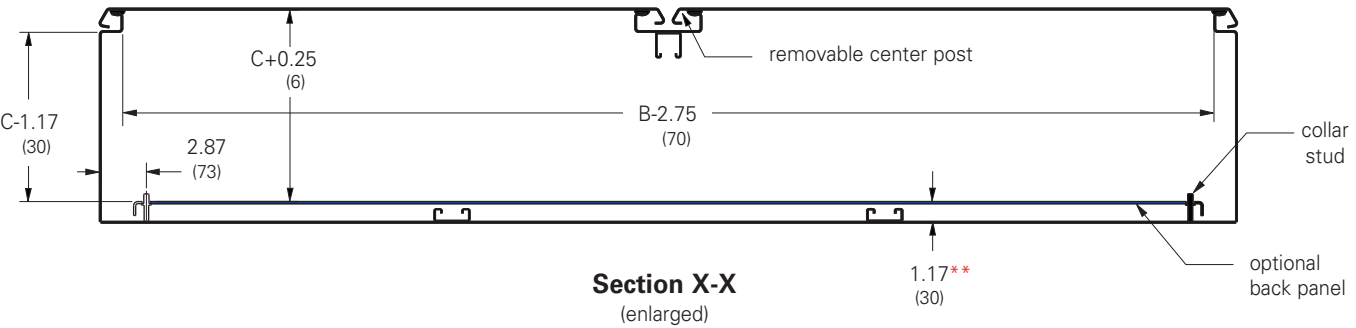
Ground-Mount Enclosures Type 4 Double-Door Floor-Standing with 3-Point Locking Illustration Sheet

ID = Inside Dimension



Front View

Side View



Section X-X
(enlarged)

** From top of panel stud flange to inside of enclosure

Notes: Four lifting eyes are furnished when C dimension is 24" (610 mm).
Dimensions are in inches. Millimeters shown are for reference only. Data subject to change without notice.

Type 4 Panel Enclosures

Type 4 Panel Enclosures

Ground-Mount Enclosures Type 4 Free-Standing Data Sheet



Type 4 Panel Enclosures

Application

- Houses electrical controls and instruments
- Easy access panels or rack mounts for housing optional equipment
- Intended for indoor or outdoor use
- Protects against windblown dust and rain, splashing water and hose directed water

Standards

- UL 508A listed, Type 4 and Type 12
- CSA C22.2 No.94 certified, Type 4 and Type 12
- Conforms to NEMA standard for Type 4 and Type 12
- E.I.A. RS-310-D

Finish

- Wash and phosphate undercoat
- ANSI 61 gray polyester powder finish

Accessories

- Full and half panels
- Side and swing panels
- Channel mounting hardware
- Equipment rack mounts
- Touch-up paint
- See Accessories section

Construction

- Enclosure and door are fabricated from (12) gauge steel
- All continuous welded seams are finished smooth
- Door is secured to the body with removable concealed hinges and easy to remove stainless steel door clamps on three (3) sides
- Modern bevel profile on hinge side of enclosure door
- Door has a seamless poured in-place gasket
- Ground stud provided on door and body
- Each door has a padlock hasp with sealing hole provision
- Print pocket provided
- Large lifting eyebolts are supplied
- Mounting channels are welded inside for locating panels or rack mount equipment along enclosure depth
- A variety of optional panels and accessories are available (see accessories pages 180-191)

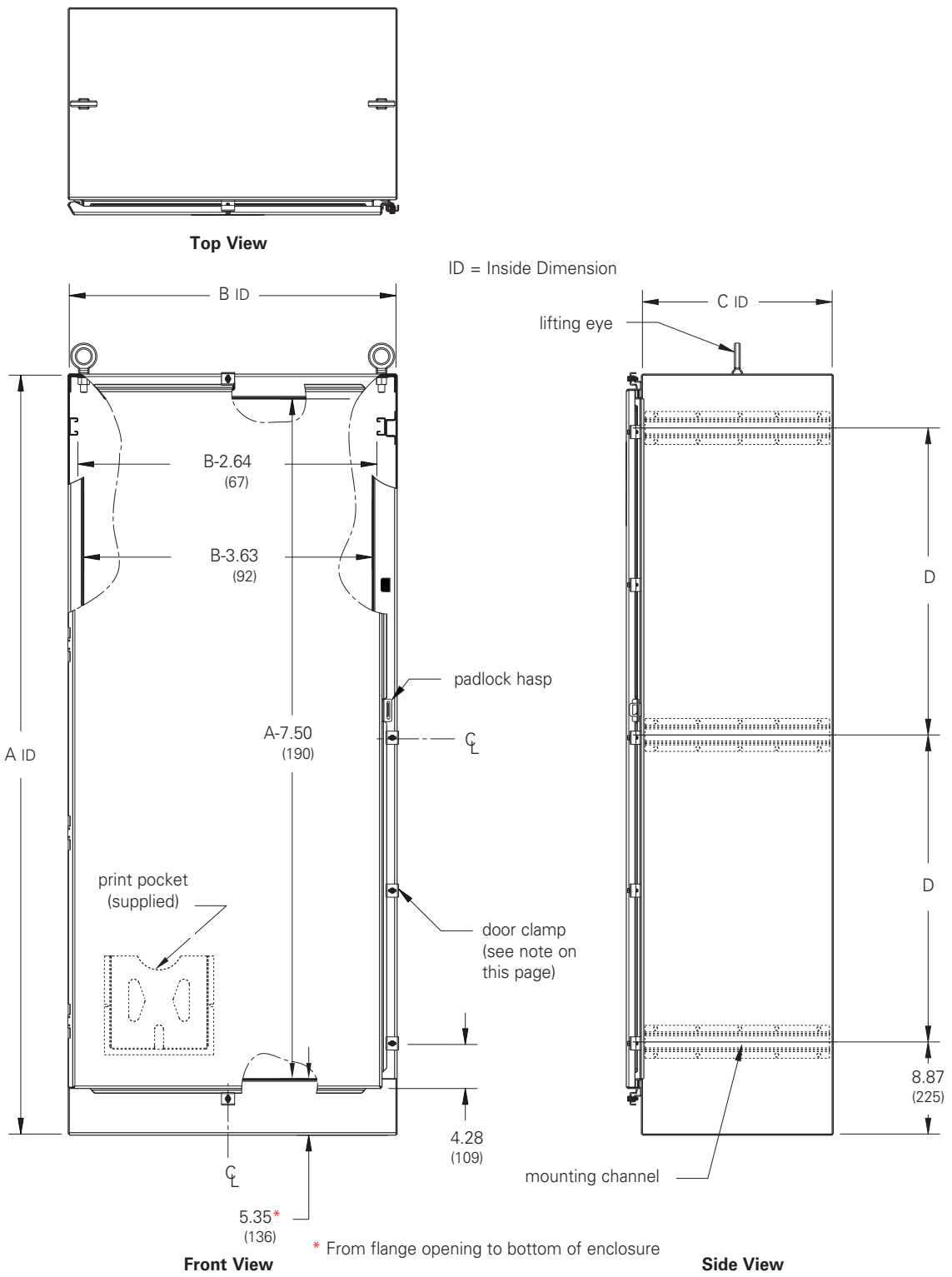
Discount Schedule: C2

Subclass: DLO

Enclosure Catalog Number	Enclosure Size Height x Width x Depth		D	
	A x B x C		in.	mm
	in.	mm		
722518-4FS	72.00 x 25.00 x 18.00	1829 x 635 x 457	29.12	740
723118-4FS	72.00 x 31.00 x 18.00	1829 x 787 x 457	29.12	740
723718-4FS	72.00 x 37.00 x 18.00	1829 x 940 x 457	29.12	740
722524-4FS	72.00 x 25.00 x 24.00	1829 x 635 x 610	29.12	740
723124-4FS	72.00 x 31.00 x 24.00	1829 x 787 x 610	29.12	740
723724-4FS	72.00 x 37.00 x 24.00	1829 x 940 x 610	29.12	740

Notes: We can provide special sizes, finishes and other modifications. Consult the factory for your special requirements.

Ground-Mount Enclosures Type 4 Free-Standing Illustration Sheet and Catalog Number



Type 4 Panel Enclosures

Notes: Two lifting eyes are furnished on each enclosure. Clamps are mounted along three sides of the enclosure door. Spacing between clamps along side opposite the hinge does not exceed 15 inches. Dimensions are in inches. Millimeters shown are for reference only. Data subject to change without notice.

Type 4 Panel Enclosures

Ground-Mount Enclosures Type 4 Free-Standing with Quarter-Turn Latches Data Sheet and Catalog Number



Type 4 Panel Enclosures

Application

- Houses electrical controls and instruments
- Easy access panels or rack mounts for housing optional equipment
- Intended for indoor or outdoor use
- Protects against windblown dust and rain, splashing water and hose directed water

Standards

- UL 508A listed, Type 4 and Type 12
- CSA C22.2 No.94 certified, Type 4 and Type 12
- Conforms to NEMA standard for Type 3, Type 4, Type 12
- E.I.A. RS-310-D

Finish

- Wash and phosphate undercoat
- ANSI 61 gray polyester powder finish

Accessories

- Full and half panels
- Side and swing panels
- Panel Support Kit
- Panel Lifting Kit
- Channel mounting hardware
- Equipment Rack Mounts
- Lights
- Window kits

Construction

- Enclosure body (12) gauge and door (14) gauge are fabricated from steel
- All continuous welded seams are finished smooth
- Door is secured to the body with removable concealed hinges and quarter-turn flush latches on three (3) sides
- Modern bevel profile on both sides of enclosure door
- Door has a seamless poured in-place gasket
- Formed lip around enclosure opening diverts liquids and contaminants
- Ground stud provided on door and body
- Print pocket provided
- Mounting channels are welded inside for locating panels or rack-mount equipment along enclosure depth
- Provision for mounting fluorescent light
- Large lifting eyebolts

Discount Schedule: C2

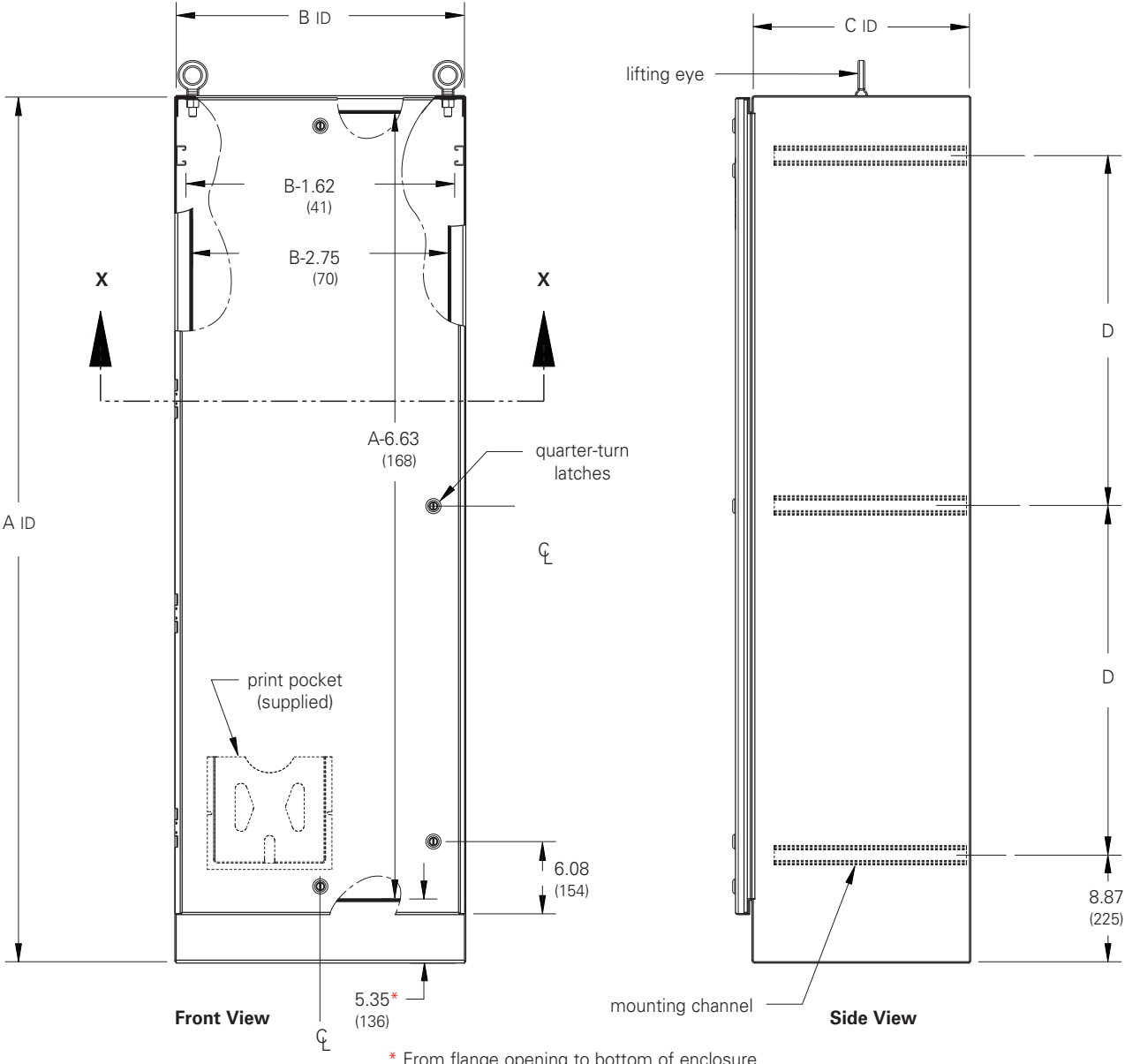
Subclass: DL2

Enclosure Catalog Number	Enclosure Size Height x Width x Depth A x B x C		D	
	in.	mm	in.	mm
722418-4FSQT	72 x 24 x 18	1829 x 609 x 457	29.12	739
723024-4FSQT	72 x 30 x 24	1829 x 762 x 609	29.12	739
723624-4FSQT	72 x 36 x 24	1829 x 914 x 609	29.12	739

Notes: We can provide special sizes, finishes and other modifications. Consult the factory for your special requirements.

Ground-Mount Enclosures Type 4 Free-Standing with Quarter-Turn Latches Illustration Sheet

ID = Inside Dimension



Type 4 Panel Enclosures

Notes: Two lifting eyes are furnished on each enclosure.
Dimensions are in inches. Millimeters shown are for reference only. Data subject to change without notice.

Type 4 Panel Enclosures

Ground-Mount Enclosures Type 4 Single Door Free-Standing with 3-Point Locking Data Sheet



Type 4 Panel Enclosures

Application

- Houses electrical controls and instruments
- Easy access panels or rack mounts for housing optional equipment
- Intended for indoor or outdoor use
- Protects against windblown dust and rain, splashing water and hose directed water

Standards

- UL 508A listed, Type 4 and Type 12
- CSA C22.2 No.94 certified, Type 4 and Type 12
- Conforms to NEMA standard for Type 3, 4, 12
- E.I.A. RS-310-D

Finish

- Wash and phosphate undercoat
- ANSI 61 gray polyester powder finish

Accessories

- Full and half panels
- Side and swing panels
- Panel Support Kit
- Panel Lifting Kit
- Channel mounting hardware
- Equipment Rack Mounts
- Lights
- Window kits
- Replacement handle, BD-PKHB, (see page 429)

Construction

- Enclosure and door are fabricated from (12) gauge steel
- All continuous welded seams are finished smooth
- Door is secured to the body with removable concealed hinges and a center locating 3-point key-locking and padlock handle mechanism
- Additional quarter turn latches provided at the top and bottom on all enclosure doors
- Modern bevel profile on both sides of enclosure door
- Door has a seamless poured in-place gasket
- Formed lip around enclosure opening diverts liquids and contaminants
- Ground stud provided on door and body
- Print pocket provided
- Mounting channels are welded inside for locating panels or rack-mount equipment along enclosure depth
- Provision for mounting fluorescent light
- Large lifting eyebolts

Discount Schedule: C2

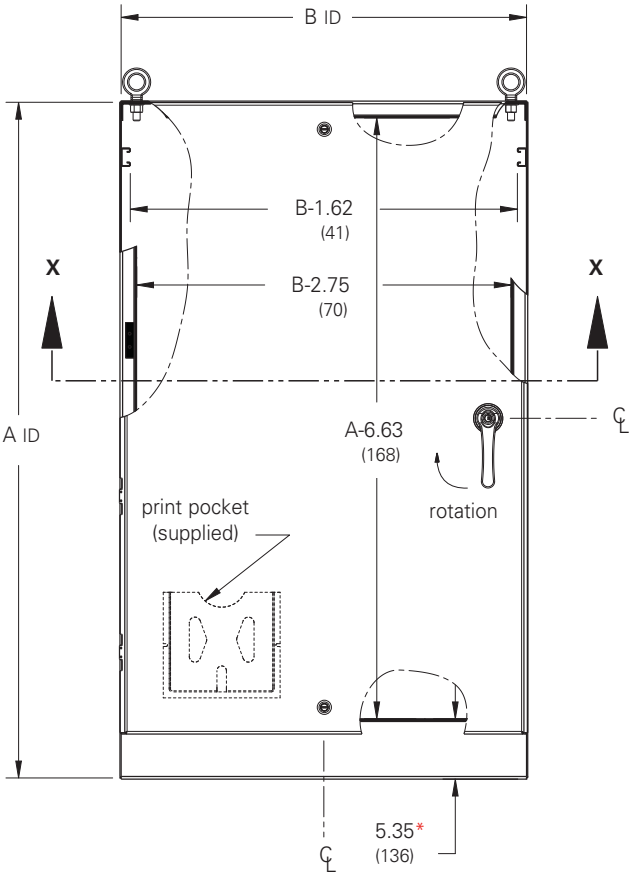
Subclass: DL3

Enclosure Catalog Number	Enclosure Size Height x Width x Depth A x B x C		D	
	in.	mm	in.	mm
	602418-4FS3PT	60 x 24 x 18	1524 x 609 x 457	23.12
722418-4FS3PT	72 x 24 x 18	1829 x 609 x 457	29.12	739
723018-4FS3PT	72 x 30 x 18	1829 x 762 x 457	29.12	739
723618-4FS3PT	72 x 36 x 18	1829 x 914 x 457	29.12	739
902420-4FS3PT	90 x 24 x 20	2286 x 610 x 508	38.12	968
903620-4FS3PT	90 x 36 x 20	2286 x 914 x 508	38.12	968
603624-4FS3PT	60 x 36 x 24	1524 x 914 x 609	23.12	587
722424-4FS3PT	72 x 24 x 24	1829 x 609 x 609	29.12	739
723024-4FS3PT	72 x 30 x 24	1829 x 762 x 609	29.12	739
723624-4FS3PT	72 x 36 x 24	1829 x 914 x 609	29.12	739
903624-4FS3PT	90 x 36 x 24	2286 x 914 x 609	38.12	968
722430-4FS3PT	72 x 24 x 30	1829 x 609 x 762	29.12	739
723630-4FS3PT	72 x 36 x 30	1829 x 914 x 762	29.12	739
723636-4FS3PT	72 x 36 x 36	1829 x 914 x 609	29.12	739
903636-4FS3PT	90 x 36 x 36	2286 x 914 x 914	38.12	968

Notes: We can provide special sizes, finishes and other modifications. Consult the factory for your special requirements.

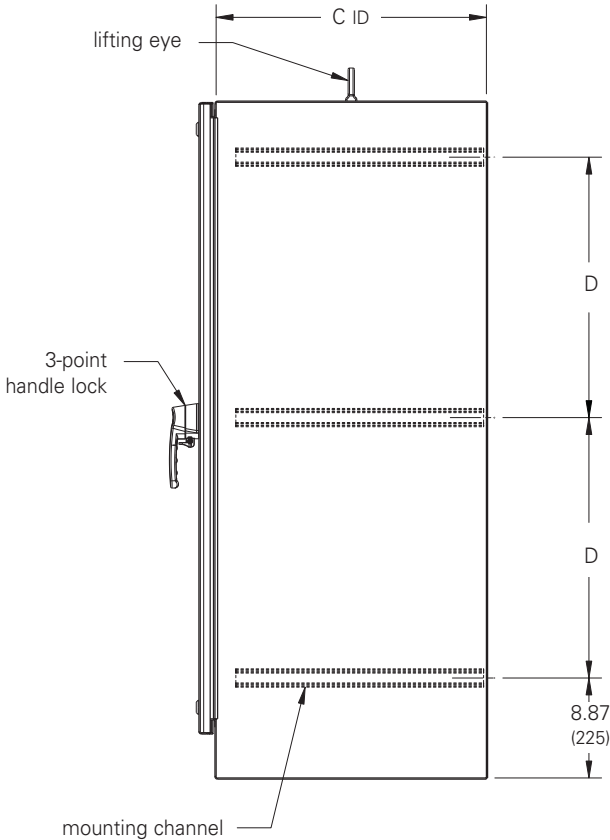
Ground-Mount Enclosures Type 4 Single Door Free-Standing with 3-Point Locking Illustration Sheet and Catalog Number

ID = Inside Dimension

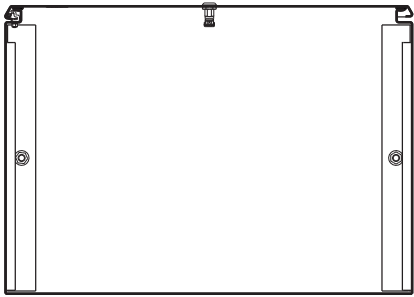


Front View

* From flange opening to bottom of enclosure



Side View



Section X-X

Notes: Four lifting eyes are furnished when C dimension is 30" (762 mm) or larger.
Dimensions are in inches. Millimeters shown are for reference only. Data subject to change without notice.

Type 4 Panel Enclosures

Type 4 Panel Enclosures

Ground-Mount Enclosures

Type 4 Single-Door Dual-Access Free-Standing with 3-Point Locking

Data Sheet



Application

- Houses electrical controls and instruments
- Easy access panels or rack mounts for housing optional equipment
- Intended for indoor or outdoor use
- Protects against windblown dust and rain, splashing water and hose directed water

Standards

- UL 508A listed, Type 4 and Type 12
- CSA C22.2 No.94 certified, Type 4 and Type 12
- Conforms to NEMA standard for Type 3, 4, 12
- E.I.A. RS-310-D

Finish

- Wash and phosphate undercoat
- ANSI 61 gray polyester powder finish

Accessories

- Full and half panels
- Side and swing panels
- Panel Support Kit
- Panel Lifting Kit
- Channel mounting hardware
- Equipment Rack Mounts
- Lights
- Window kits
- Replacement handle, BD-PKHB, (see page 429)

Construction

- Enclosure and doors are fabricated from (12) gauge steel
- All continuous welded seams are finished smooth
- Door is secured to the body with removable concealed hinges and a center locating 3-point key-locking and padlock handle mechanism
- Additional quarter turn latches provided at the top and bottom on all enclosure doors
- Modern bevel profile on both sides of enclosure door
- Door has a seamless poured in-place gasket
- Formed lip around enclosure opening diverts liquids and contaminants
- Ground stud provided on door and body
- Print pocket provided
- Mounting channels are welded inside for locating panels or rack-mount equipment along enclosure depth
- Provision for mounting fluorescent light
- Large lifting eyebolts

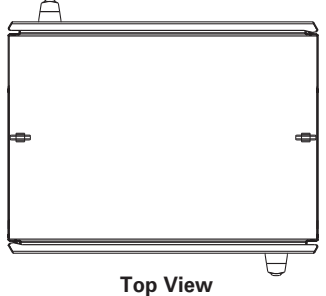
Discount Schedule: C2

Subclass: DL3

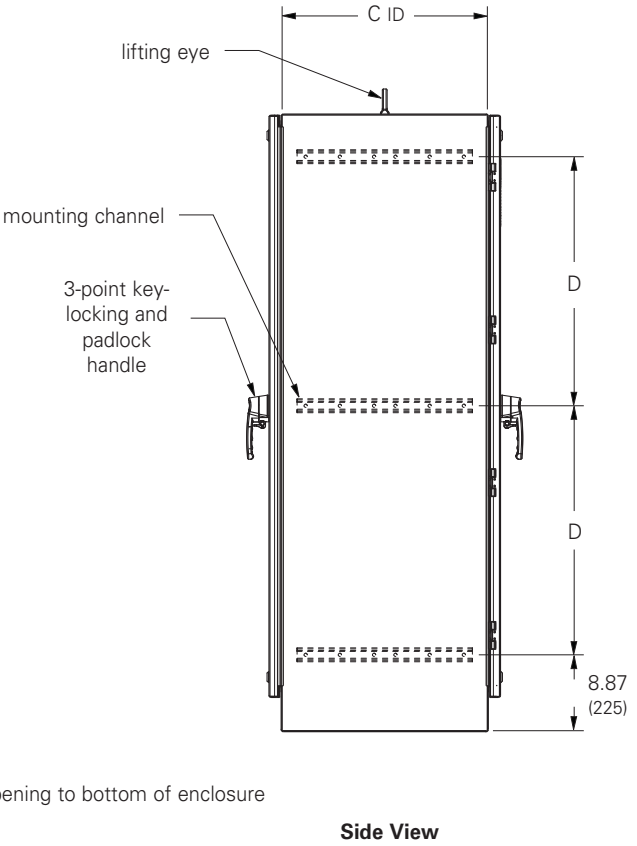
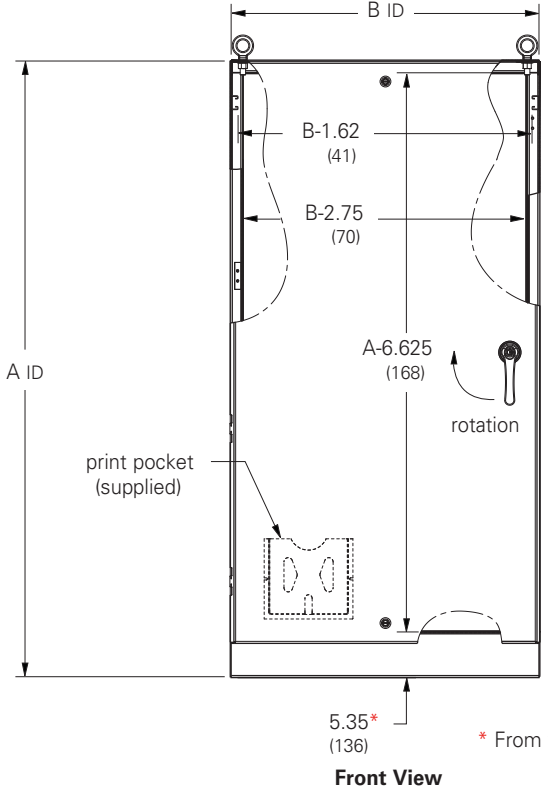
Notes: We can provide special sizes, finishes and other modifications. Consult the factory for your special requirements.

Ground-Mount Enclosures Type 4 Single-Door Dual-Access Free-Standing with 3-Point Locking Illustration Sheet and Catalog Number

Enclosure Catalog Number ANSI 61 Gray Carbon Steel	Enclosure Size Height x Width x Depth A x B x C		D	
	in.	mm	in.	mm
	722424-4FSDA3PT	72.00 x 24.00 x 24.00	1829 x 610 x 610	29.12
723024-4FSDA3PT	72.00 x 30.00 x 24.00	1829 x 762 x 610	29.12	740
723624-4FSDA3PT	72.00 x 36.00 x 24.00	1829 x 914 x 610	29.12	740
903624-4FSDA3PT	90.00 x 36.00 x 24.00	2286 x 914 x 610	38.12	968
722430-4FSDA3PT	72.00 x 24.00 x 30.00	1829 x 610 x 762	29.12	740
722436-4FSDA3PT	72.00 x 24.00 x 36.00	1829 x 610 x 914	29.12	740
723636-4FSDA3PT	72.00 x 36.00 x 36.00	1829 x 914 x 914	29.12	740
903636-4FSDA3PT	90.00 x 36.00 x 36.00	2286 x 914 x 914	38.12	968



ID = Inside Dimension



Type 4 Panel Enclosures

Notes: Four lifting eyes are furnished when C dimensions is 30.00 (762 mm) or more.
Dimensions are in inches. Millimeters shown are for reference only. Data subject to change without notice.

Type 4 Panel Enclosures

Ground-Mount Enclosures Type 4 EnviroShield™ Free-Standing with 3-Point Locking Data Sheet



Application

- Houses electrical controls and electrical instruments in harsh environments
- Provides quick and easy access indoors and out
- Protects against circulating dust, falling dirt, dripping non-corrosive liquids, rain, sleet, ice, splashing and hose directed water

Standards

- UL 508A listed, Type 3R, Type 4, Type 4X, Type 12
- Conforms to NEMA standard for Type 3R, Type 4, Type 4X, Type 12
- NSF Criteria C-2
- E.I.A. RS-310-D

Finish

- Type 4 enclosures have a washed and phosphate undercoat with ANSI 61 gray polyester powder inside and out

Accessories

- Full and half panels
- Side and swing panels
- Center post
- Channel mounting hardware
- Touch-up paint
- Climate control
- Mounting legs
- Rack mounting angles
- Swing out mounting frames
- See Accessories section
- Replacement handle, BD-PKHB (see page 429).

Construction

- Enclosure and door are fabricated from (12) gauge steel
- All continuous welded seams are finished smooth
- Doors are secured to the body with removable concealed hinges and a center locating 3-point key-locking and padlock handle mechanism
- Modern bevel profile on both sides of enclosure doors
- Removable center post
- Doors have a Neoprene IV2 closed cell gasket
- Ground studs provided on doors and body
- Print pocket provided
- Large lifting eyes are integrated with sides of enclosure
- Mounting channels are welded inside for locating panels or rack mounts along enclosure depth, as well as mounting studs for fixed panels
- Swing panels, single full and single half panels can be installed in double-door enclosures when the center post is used
- A variety of optional panels and accessories are available, (see pages 180-191)

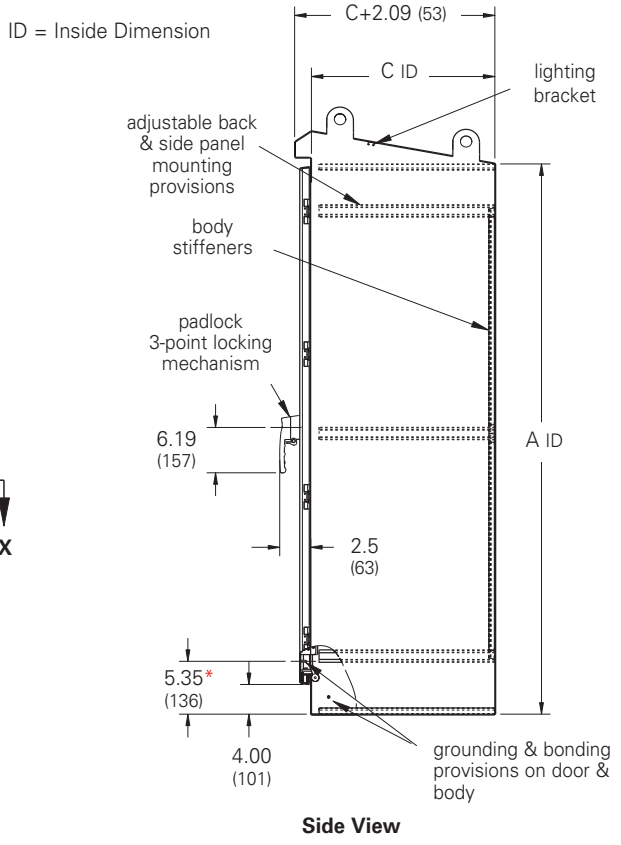
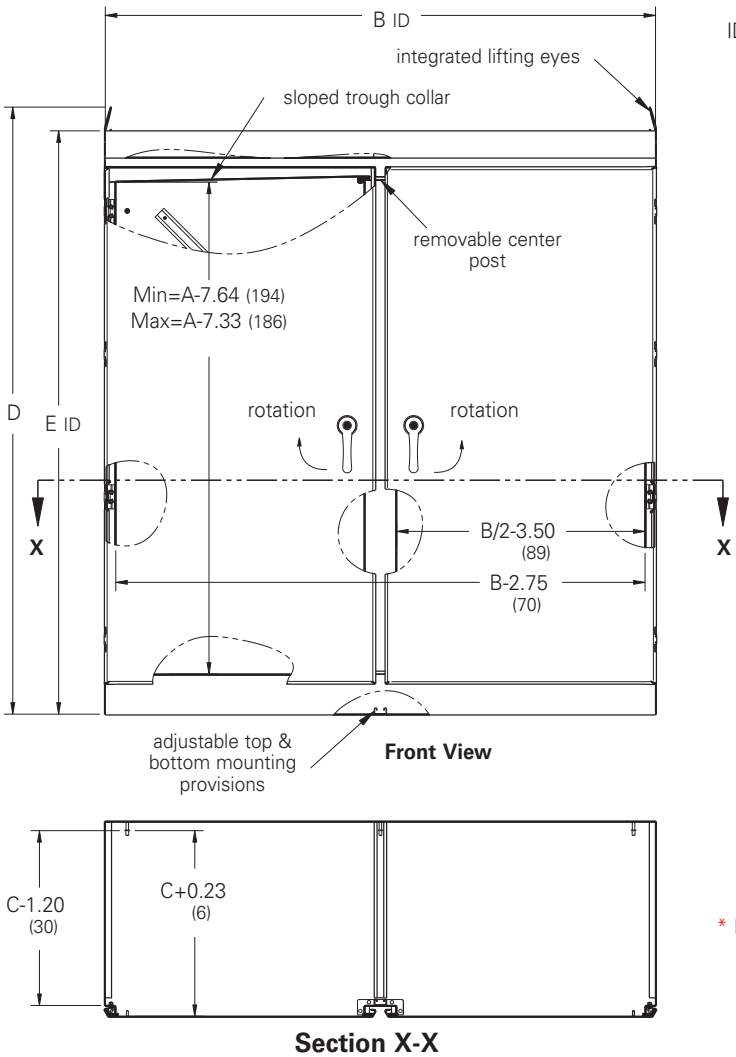
Discount Schedule: C2

Subclass: VR0

Notes: We can provide special sizes, finishes and other modifications. Consult the factory for your special requirements.

Ground-Mount Enclosures Type 4 EnviroShield™ Free-Standing with 3-Point Locking Illustration Sheet and Catalog Number

Enclosure Catalog Number ANSI 61 Gray Carbon Steel	Enclosure Size Height x Width x Depth A x B x C		D		E	
	in.	mm	in.	mm	in.	mm
	ES-604812-4	60.00 x 48.00 x 12.00	1524 x 1219 x 305	65.87	1673	64.44
ES-604816-4	60.00 x 48.00 x 16.00	1524 x 1219 x 406	65.87	1673	64.44	1637
ES-604820-4	60.00 x 48.00 x 20.00	1524 x 1219 x 508	65.87	1673	64.44	1637
ES-604824-4	60.00 x 48.00 x 24.00	1524 x 1219 x 609	65.87	1673	64.44	1637
ES-606012-4	60.00 x 60.00 x 12.00	1524 x 1524 x 305	65.87	1673	64.44	1637
ES-606016-4	60.00 x 60.00 x 16.00	1524 x 1524 x 406	65.87	1673	64.44	1637
ES-606020-4	60.00 x 60.00 x 20.00	1524 x 1524 x 508	65.87	1673	64.44	1637
ES-606024-4	60.00 x 60.00 x 24.00	1524 x 1524 x 609	67.87	1724	64.44	1637
ES-726012-4	72.00 x 60.00 x 12.00	1829 x 1524 x 305	77.87	1978	76.44	1941
ES-726016-4	72.00 x 60.00 x 16.00	1829 x 1524 x 406	77.87	1978	76.44	1941
ES-726020-4	72.00 x 60.00 x 20.00	1829 x 1524 x 508	77.87	1978	76.44	1941
ES-726024-4	72.00 x 60.00 x 24.00	1829 x 1524 x 609	77.87	1978	76.44	1941
ES-727212-4	72.00 x 72.00 x 12.00	1829 x 1829 x 305	77.87	1978	76.44	1941
ES-727216-4	72.00 x 72.00 x 16.00	1829 x 1829 x 406	77.87	1978	76.44	1941
ES-727220-4	72.00 x 72.00 x 20.00	1829 x 1829 x 508	77.87	1978	76.44	1941
ES-727224-4	72.00 x 72.00 x 24.00	1829 x 1829 x 609	79.87	2028	76.44	1941



* From flange opening to bottom of enclosure

Notes: Dimensions are in inches. Millimeters shown are for reference only. Data subject to change without notice.

Type 4 Panel Enclosures

Type 4 Panel Enclosures

Free-Standing Enclosure Accessories Type 4 Single-Door Full and Half Panel Illustration Sheet and Catalog Number

Discount Schedule: C2
Subclass: DSD

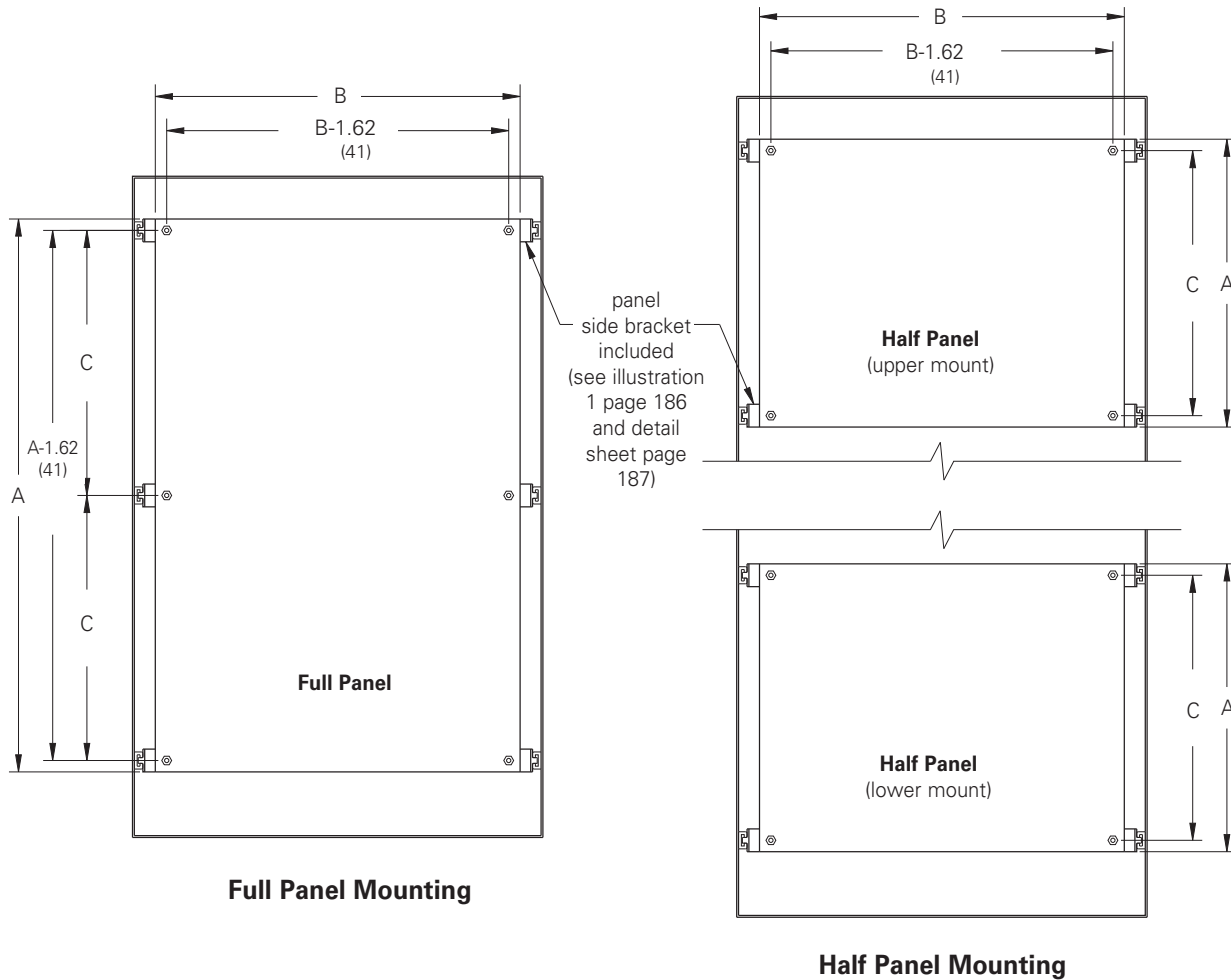
Full Panel (Single-Door)

Panel Catalog Number	Panel Size Height x Width A x B		C		Fits Enclosure Height x Width	
	in.	mm	in.	mm	in.	mm
AF6024P	47.87	1216	23.12	587	60.00	1524
AF6036P	47.87	1216	23.12	587	60.00	1524
AF7224P	59.87	1521	29.12	740	72.00	1829
AF7230P	59.87	1521	29.12	740	72.00	1829
AF7236P	59.87	1521	29.12	740	72.00	1829

Half Panel (Single-Door)

Panel Catalog Number	Panel Size Height x Width A x B		C		Fits Enclosure Height x Width	
	in.	mm	in.	mm	in.	mm
AF6024HP	24.75	629	23.12	587	60.00	1524
AF6036HP	24.75	629	23.12	587	60.00	1524
AF7224HP	30.75	781	29.12	587	72.00	1829
AF7230HP	30.75	781	29.12	587	72.00	1829
AF7236HP	30.75	781	29.12	587	72.00	1829

Type 4 Panel Enclosures



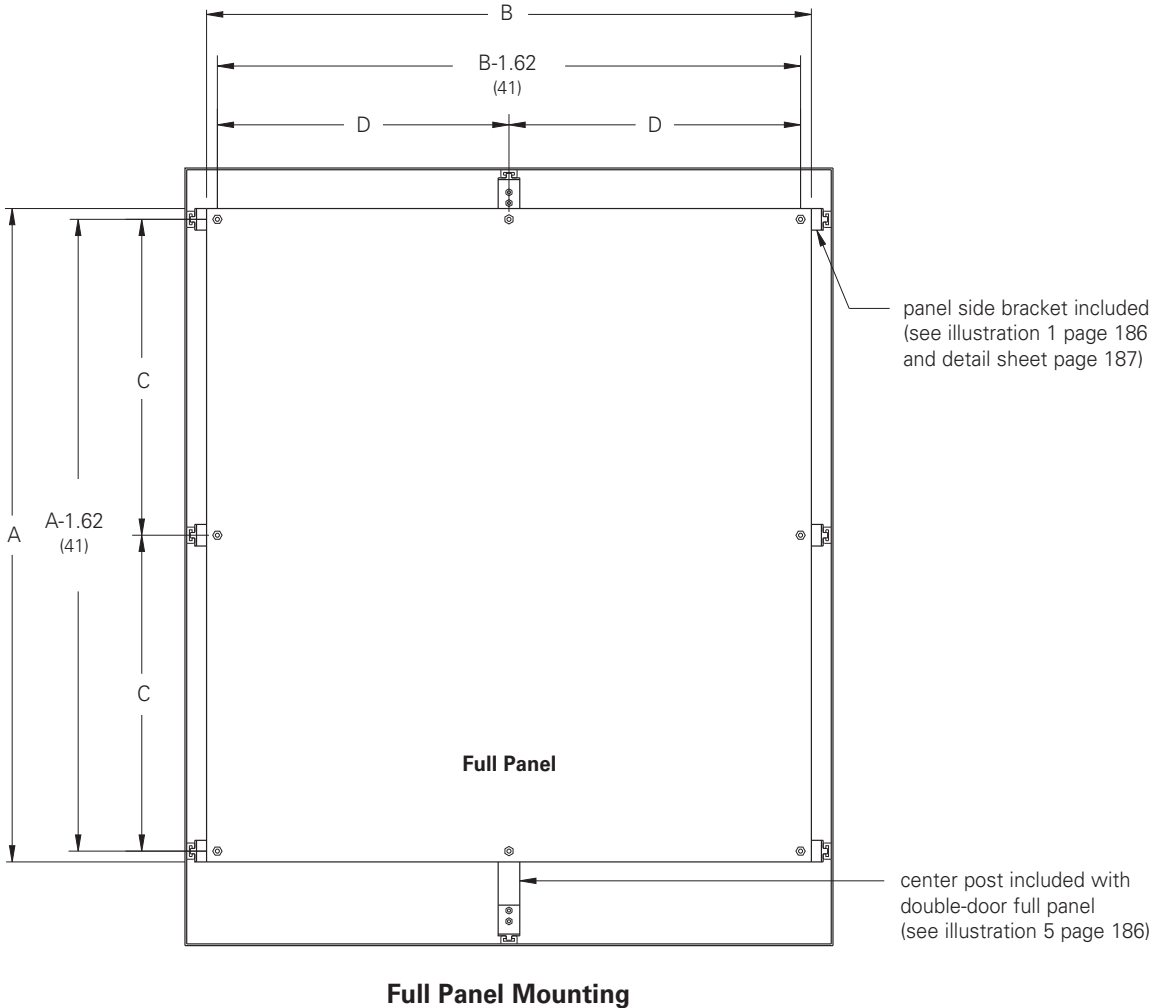
Note: Full and Half panel for single-door, single and dual-access enclosures are (12) gauge steel and furnished with panel side brackets and all hardware necessary for channel and panel mounting. Half Panels can be mounted in either the upper or lower portion of the enclosure. Free standing design permits the panel to adjust along the depth of the enclosure. With dual-access enclosures, Full and Half panels can be mounted back-to-back.

Notes: Dimensions are in inches. Millimeters shown are for reference only. Data subject to change without notice.

Free-Standing Enclosure Accessories Type 4 Double-Door Full Panel Illustration Sheet and Catalog Number

Discount Schedule: C2
Subclass: DSD

Panel Catalog Number	Panel Size Height x Width A x B		C		D		Fits Enclosure Height x Width	
	in.	mm	in.	mm	in.	mm	in.	mm
AF6048P	47.87 x 43.87	1216 x 1114	23.12	587	21.12	530	60.00 x 48.00	1524 x 1219
AF6060P	47.87 x 55.87	1216 x 1419	23.12	587	27.12	689	60.00 x 60.00	1524 x 1524
AF7248P	59.87 x 43.87	1521 x 1114	29.12	740	21.12	530	72.00 x 48.00	1829 x 1219
AF7260P	59.87 x 55.87	1521 x 1419	29.12	740	27.12	689	72.00 x 60.00	1829 x 1524
AF7272P	59.87 x 67.87	1521 x 1724	29.12	740	33.12	841	72.00 x 72.00	1829 x 1829



Full Panel Mounting

Notes: Full Panel for double-door, single and dual-access enclosures are (10) gauge steel and furnished with Panel Brackets, Center Post assembly, panel handle kit and all hardware necessary for channel and panel mounting. The Center Post assembly offers additional support of panel and equipment. Free-standing design permits the panel to adjust along the depth of the enclosure. With dual-access enclosures, Full and Half Panels can be mounted back-to-back.

Notes: Dimensions are in inches. Millimeters shown are for reference only. Data subject to change without notice.

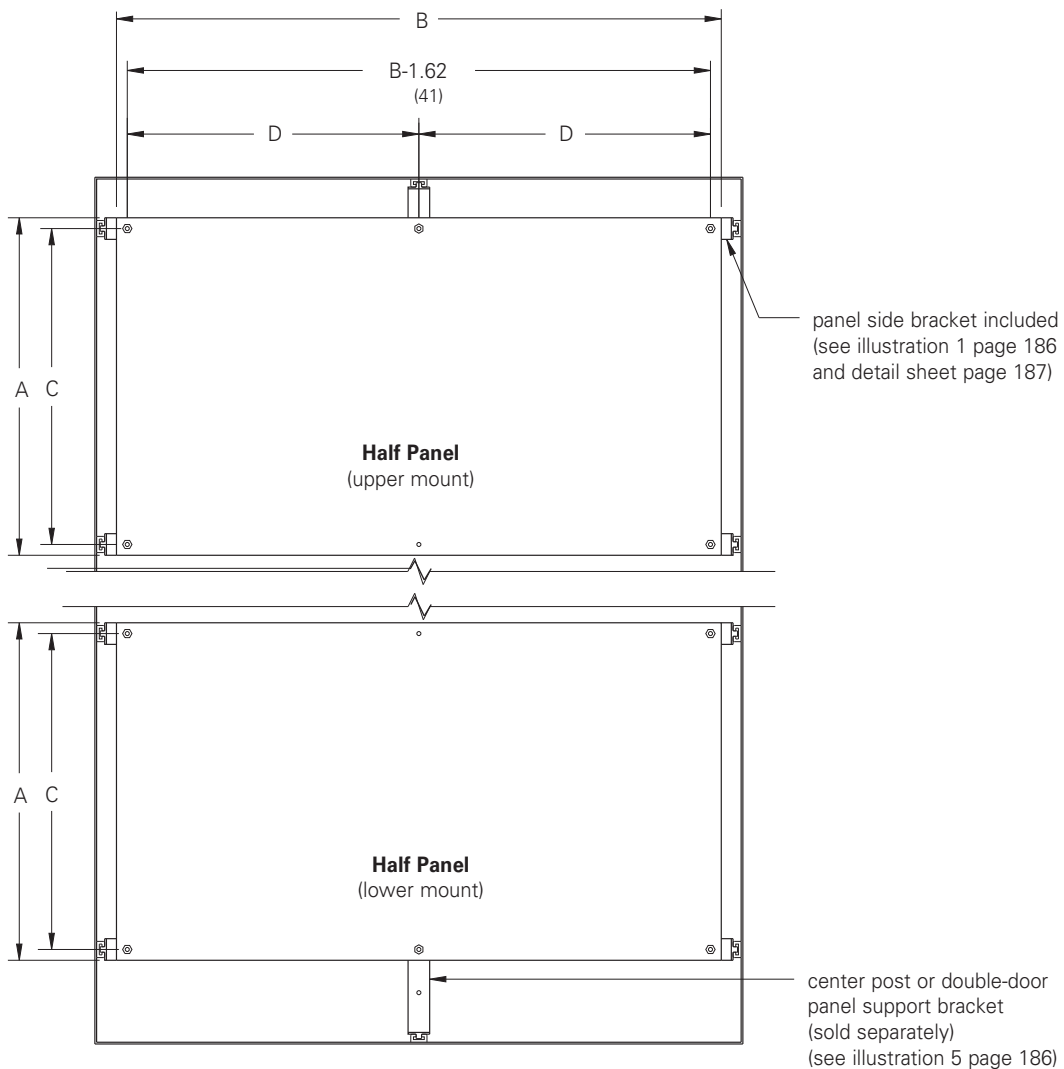
Type 4 Panel Enclosures

Type 4 Panel Enclosures

Free-Standing Enclosure Accessories Type 4 Double-Door Half Panel Illustration Sheet and Catalog Number

Discount Schedule: C2
Subclass: DSD

Panel Catalog Number	Panel Size Height x Width A x B		C		D		Fits Enclosure Height x Width			
	in.	mm	in.	mm	in.	mm	in.	mm		
AF6048HP	24.75	43.87	629	1114	23.12	587	21.12	536	60.00x48.00	1524x1219
AF7248HP	30.75	43.87	781	1114	29.12	740	21.12	536	72.00x48.00	1829x1219
AF7260HP	30.75	55.87	781	1419	29.12	740	7.12	181	72.00x60.00	1829x1524
AF7272HP	30.75	67.87	781	1724	29.12	740	33.12	841	72.00x72.00	1829x1829



Half Panel Mounting

Note: Half panel for double-door, single and dual-access enclosures are (12) gauge steel and furnished with Panel Brackets and all hardware necessary for channel and panel mounting. **A Center Post assembly or a double-door panel support bracket (catalog number AFSUP2) for additional support of the panel is optional and sold separately.** Free-standing design permits the panel to adjust along the depth of the enclosure. With dual-access enclosures, Full and Half Panels can be mounted back-to-back.

Notes: Dimensions are in inches. Millimeters shown are for reference only. Data subject to change without notice.

Free-Standing Enclosure Accessories Type 4 Side Panel And Center Post Illustration Sheet and Catalog Number

Discount Schedule: C2

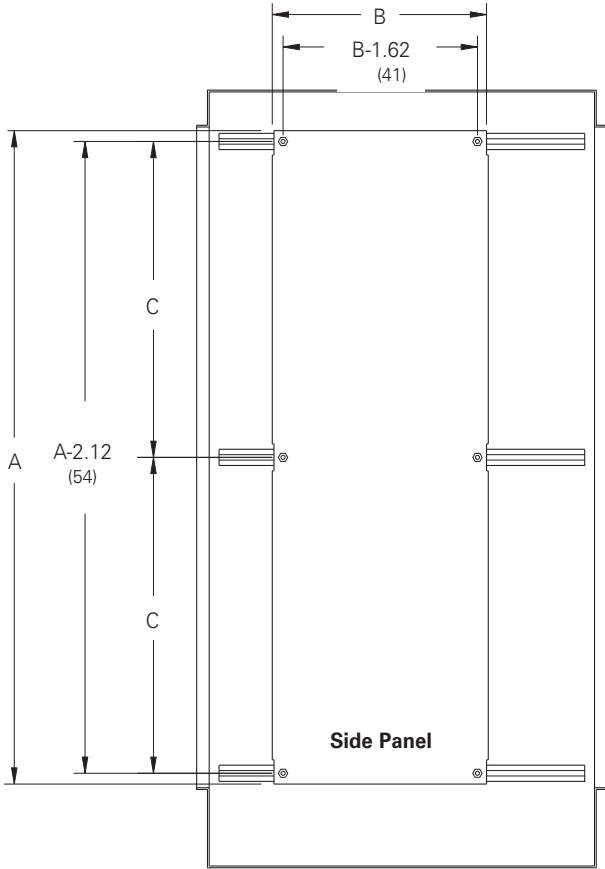
Side Panel - Subclass: DSD

Panel Catalog Number	Panel Size Height x Width A x B		C		Fits Enclosure Height		Depth*	
	in.	mm	in.	mm	in.	mm	in.	mm
AF6018SP	48.37	1229	23.12	587	60.00	1524	18.00	457
AF7218SP	60.37	1533	29.12	740	72.00	1829	18.00	457
AF7224SP	60.37	1533	29.12	740	72.00	1829	24.00	610

Center Post - Subclass: DSO

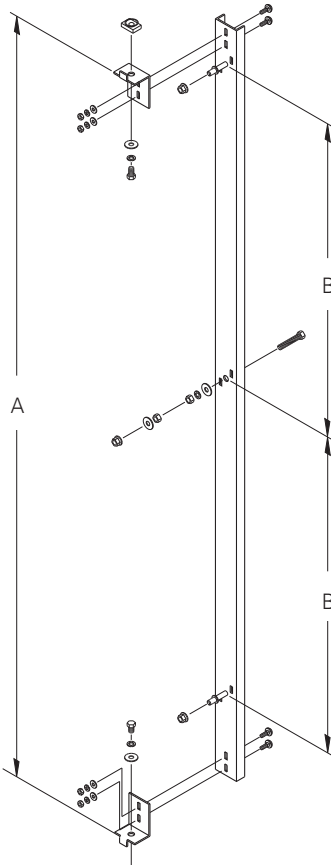
Center Post Catalog Number	A		B		Fits Enclosure Height	
	in.	mm	in.	mm	in.	mm
AF60CPS	58.37	1483	23.12	587	60.00	1524
AF72CPS	70.37	1787	29.12	740	72.00	1829

* Back panels restrict the movement of side panels and will prohibit mounting in some depths. See detail sheet for back panel spacing.



Side Panel Mounting

Side Panels are (12) gauge steel and furnished with hardware necessary for channel mounting. They will fit any width enclosure and are adjustable along its depth, however, when Full or Half Panels are installed, movement will be restricted and with some depths make side mounting prohibitive.



Center Post Assembly

Center Post assembly is furnished with all double-door Full Panels and includes hardware necessary for channel and panel mounting. The Center Post is optional on double-door Half Panels and Swing Panel mounting and must be ordered separately. It attaches to the top and bottom channels making it adjustable along the depth of the enclosure. See illustration #5 on the Detail Sheet-page 186.

Notes: Dimensions are in inches. Millimeters shown are for reference only. Data subject to change without notice.

Type 4 Panel Enclosures

Type 4 Panel Enclosures

Free-Standing Enclosure Accessories Type 4 Single-Door Full and Half Swing Panel Illustration Sheet and Catalog Number

Discount Schedule: C2
Subclass: DSD

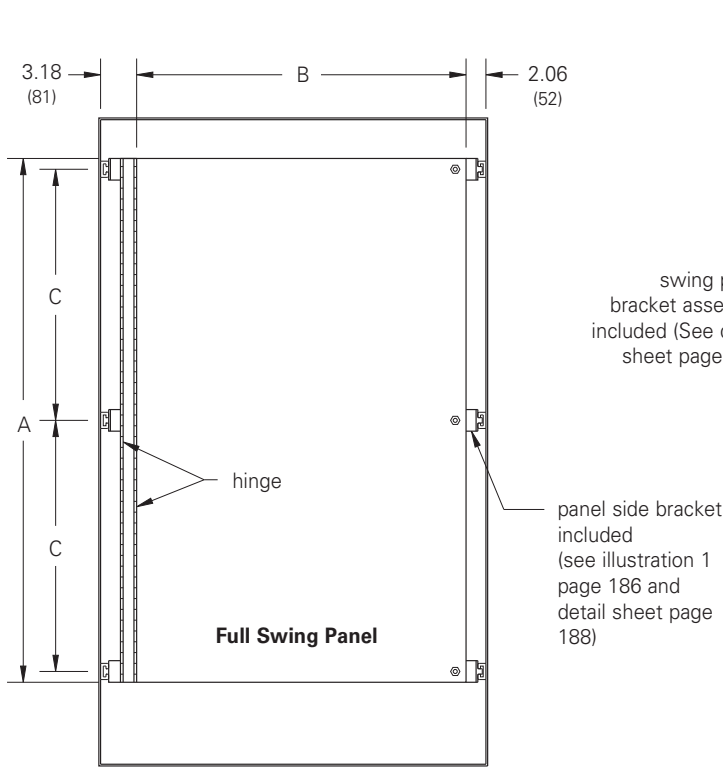
Full Swing Panel (Single-Door)

Panel Catalog Number	Panel Size Height x Width A x B		C		Fits Enclosure Height x Width	
	in.	mm	in.	mm	in.	mm
AF6024SWP	47.87	1216	23.12	587	60.00	1524
AF6036SWP	47.87	1216	23.12	587	60.00	1524
AF7224SWP	59.87	1521	29.12	740	72.00	1829
AF7230SWP	59.87	1521	29.12	740	72.00	1829
AF7236SWP	59.87	1521	29.12	740	72.00	1829

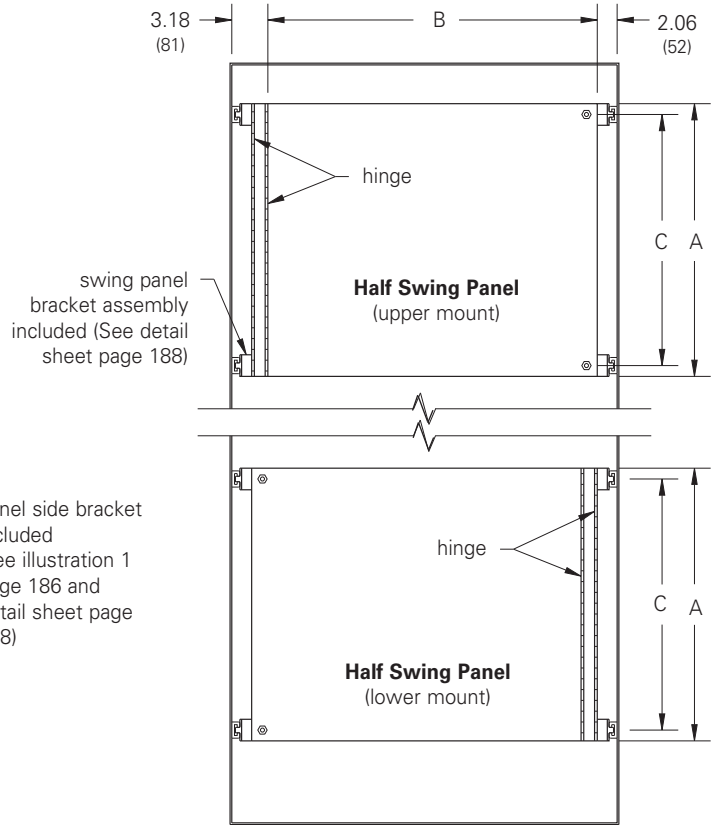
Half Swing Panel (Single-Door)

Panel Catalog Number	Panel Size Height x Width A x B		C		Fits Enclosure Height x Width	
	in.	mm	in.	mm	in.	mm
AF6024HWP	47.87	1216	23.12	587	60.00	1524
AF6036HWP	47.87	1216	23.12	587	60.00	1524
AF7224HWP	59.87	1521	29.12	740	72.00	1829
AF7230HWP	59.87	1521	29.12	740	72.00	1829
AF7236HWP	59.87	1521	29.12	740	72.00	1829

Type 4 Panel Enclosures



Full Swing Panel Mounting



Half Swing Panel Mounting

Note: Full Swing Panel and Half Swing Panel for single-door, single and dual-access enclosures are (12) gauge steel, have a dual hinge swing panel bracket and furnished with Panel Brackets and all hardware necessary for channel and panel mounting. Panels can be installed so they hinge on either the left or right side. In addition, Half Panels can be mounted in either the upper or lower portion of the enclosure. Free-standing design permits the panel to be adjustable along the depth of the enclosure. The dual hinge will allow the inner panel to swing completely out of the door opening when within 5.50 inches of the front. With dual-access enclosures, Full and Half Swing Panels can be mounted back-to-back.

Notes: Dimensions are in inches. Millimeters shown are for reference only. Data subject to change without notice.

Type 4 Panel Enclosures

Free-Standing Enclosure Accessories Type 4 Double-Door Full and Half Swing Panel Illustration Sheet and Catalog Number

Discount Schedule: C2
Subclass: DSD

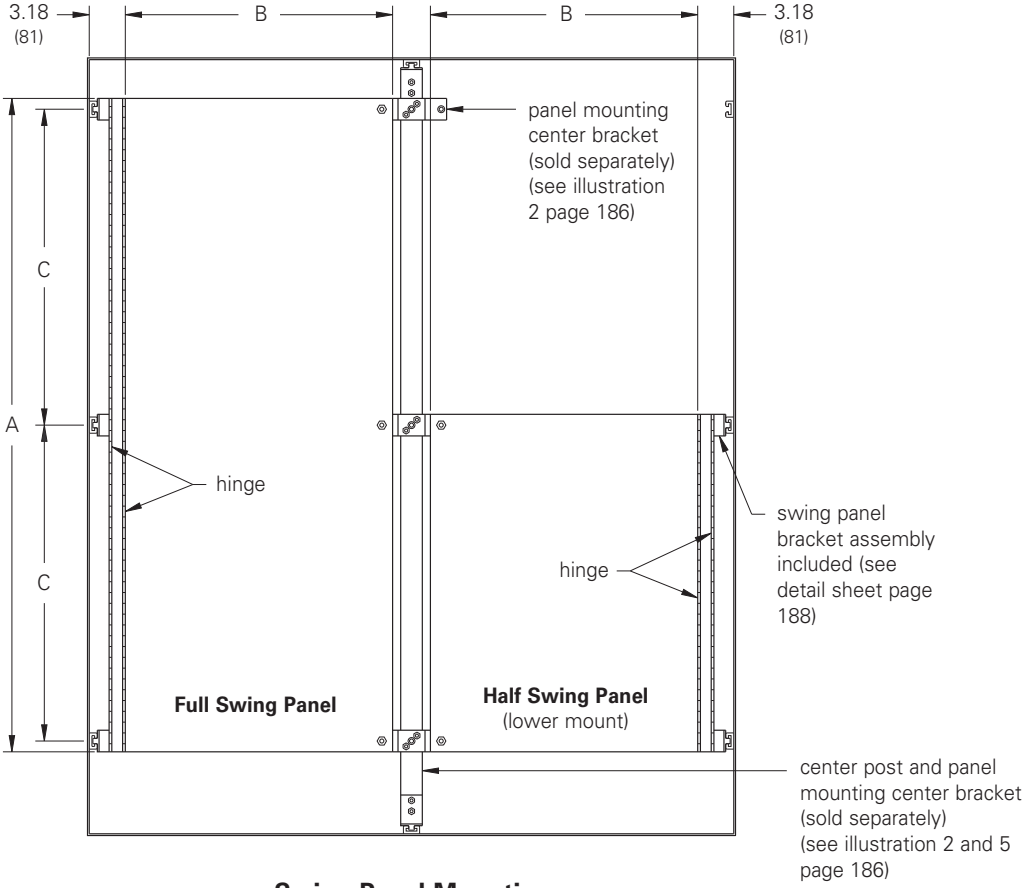
Full Swing Panel (Double-Door)

Panel Catalog Number	Panel Size Height x Width A x B		C		Fits Enclosure Height x Width	
	in.	mm	in.	mm	in.	mm
AF6024SWP	47.87	1216	23.12	587	60.00	1524
AF7224SWP	59.87	1521	29.12	740	72.00	1829
AF7230SWP	59.87	1521	29.12	740	72.00	1829
AF7236SWP	59.87	1521	29.12	740	72.00	1829

Half Swing Panel (Double-Door)

Panel Catalog Number	Panel Size Height x Width A x B		C		Fits Enclosure Height x Width	
	in.	mm	in.	mm	in.	mm
AF6024HSWP	24.75	629	23.12	587	60.00	1524
AF7224HSWP	30.75	781	29.12	740	72.00	1829
AF7230HSWP	30.75	781	29.12	740	72.00	1829
AF7236HSWP	30.75	781	29.12	740	72.00	1829

A Center Post assembly and Center Bracket must be ordered separately.



Swing Panel Mounting

Note: Full Swing Panel and Half Swing Panel for double-door, single and dual-access enclosures are (12) gauge steel, have a dual hinge swing panel bracket, and furnished with hardware necessary for side channel mounting. **A Center Post assembly and Center Bracket must be ordered separately.** Panels can be installed so they hinge either on the left or right side. In addition, Half Panels can be mounted in either the upper or lower portion of the enclosure. Free-standing design permits the panel to adjust along the depth of the enclosure. The dual hinge will allow the inner panel to swing completely out of the door opening when within 5.50 inches of the front. With dual-access enclosures, Full and Half Swing Panels can be mounted back-to-back.

Notes: Dimensions are in inches. Millimeters shown are for reference only. Data subject to change without notice.

Type 4 Panel Enclosures

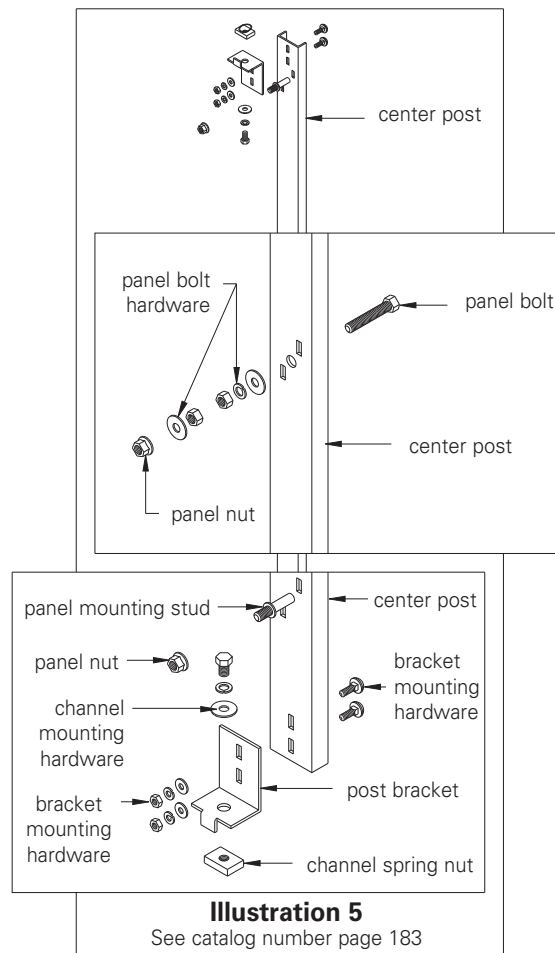
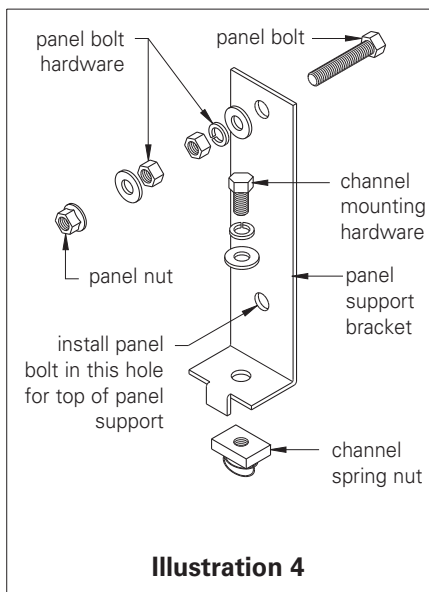
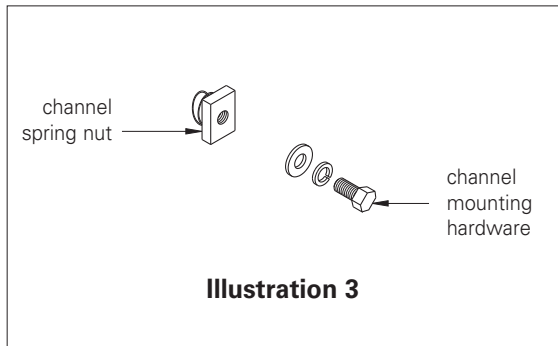
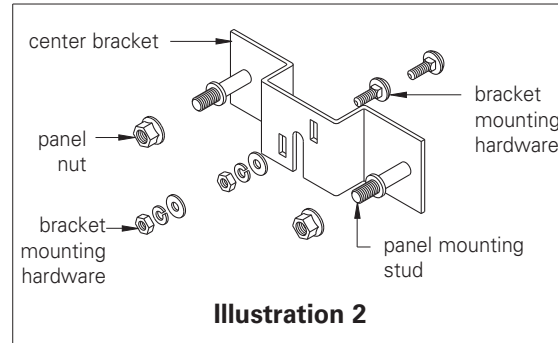
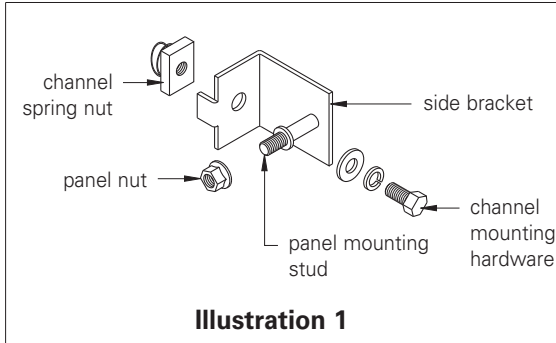
Type 4 Panel Enclosures

Free-Standing Enclosure Accessories Type 4 Miscellaneous Accessories Illustration Sheet and Catalog Number

Discount Schedule: C2
Subclass: DSO

Miscellaneous Accessories

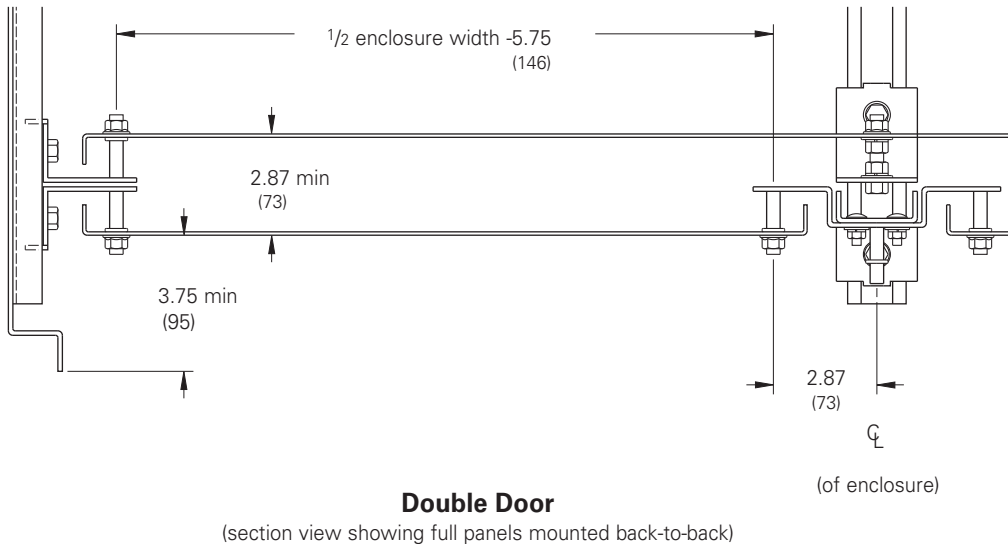
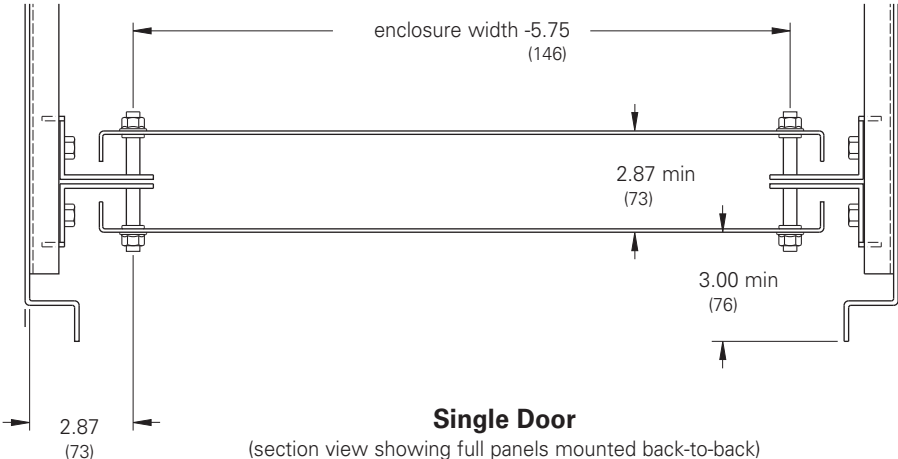
Catalog Number	Description	Illustration	Quantity
AFSBRKT1	Panel mounting side bracket	1	1
AFCBRKT3	Panel mounting center bracket	2	3
AFCMH3	Channel mounting hardware	3	3
AFPSUP2	Double-door panel support bracket	4	2



Notes: Dimensions are in inches. Millimeters shown are for reference only. Data subject to change without notice.

Free-Standing Enclosure Details
Type 4
Panel and Enclosure
Detail Sheet

Discount Schedule: C2
Subclass: DSD



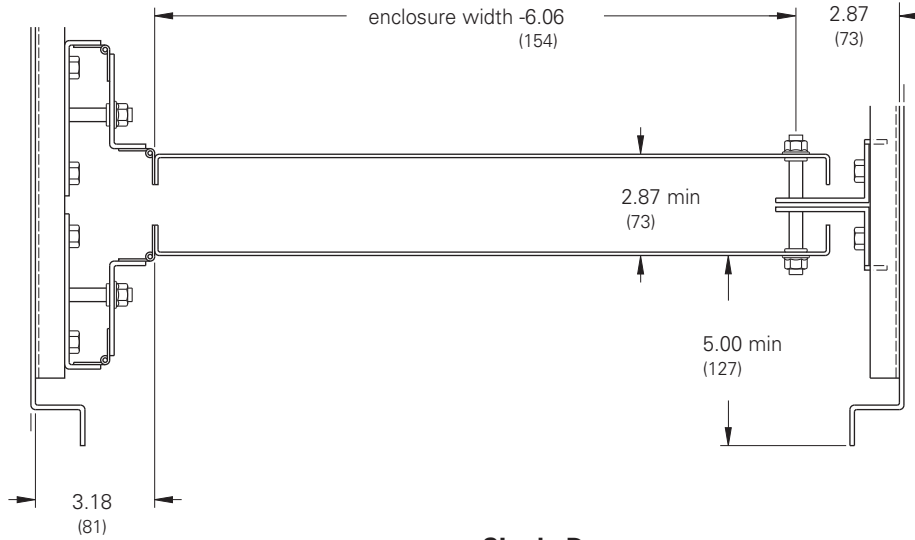
Notes: Dimensions are in inches. Millimeters shown are for reference only. Data subject to change without notice.

Type 4 Panel Enclosures

Type 4 Panel Enclosures

Free-Standing Enclosure Details Type 4 Swing Panel and Enclosure Detail Sheet

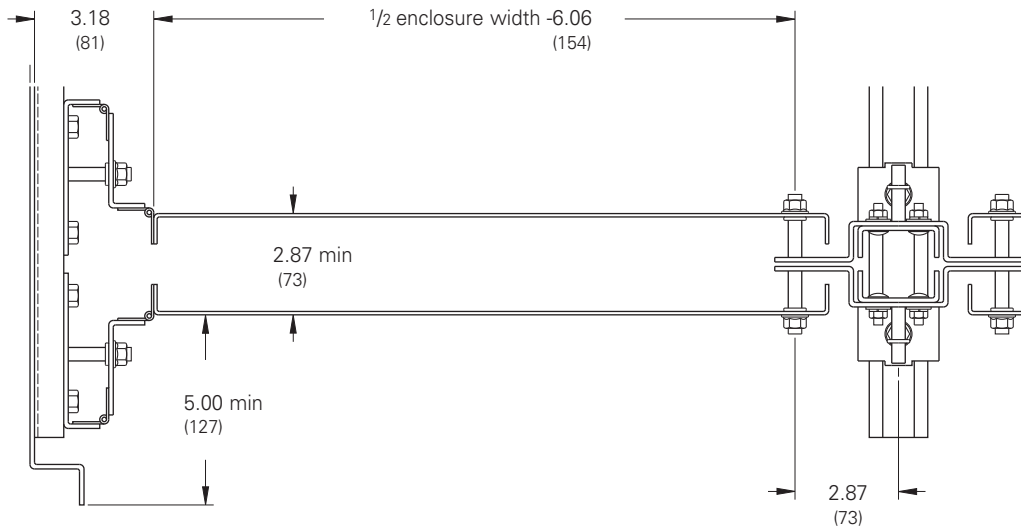
Discount Schedule: C2
Subclass: DSD



Single Door

(section view showing swing panels mounted back-to-back)

Type 4 Panel Enclosures



Double Door

(section view showing swing panels mounted back-to-back)

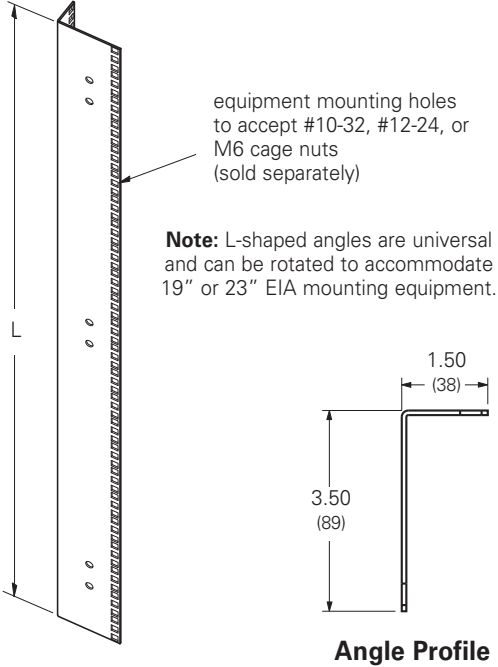
⌀
(of enclosure)

Notes: Dimensions are in inches. Millimeters shown are for reference only. Data subject to change without notice.

Free-Standing Enclosure Accessories Rack Mounting Angles Illustration Sheet and Catalog Number

Discount Schedule: C2
Subclass: DSO

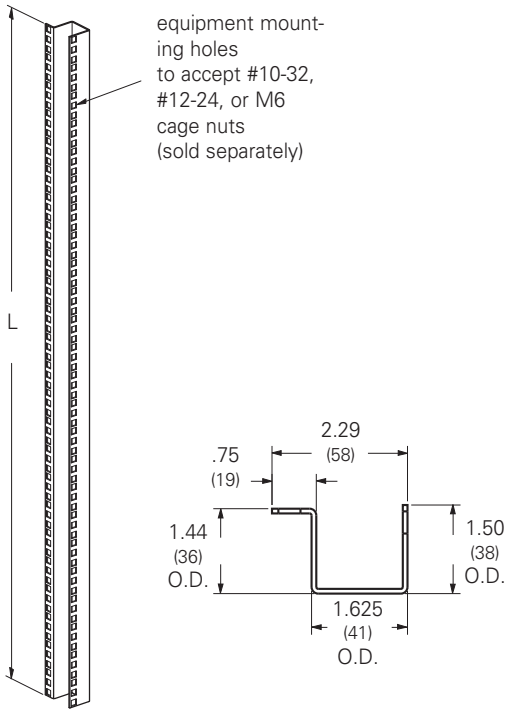
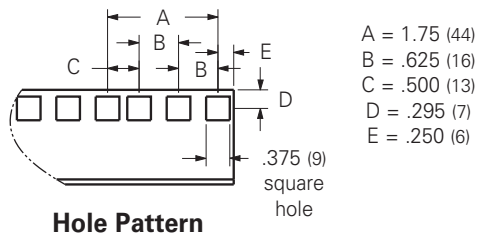
Heavy Duty Rack Mounting Angles are designed for mounting 19" (482mm) equipment in free-standing enclosures. **A Center Post Assembly, "AFxxCPS" on page 183, and a Panel Mounting Center Bracket, "AFCBRKT3" on page 186, (each sold separately) are required when mounting in any double door enclosure.** Mounting holes are spaced at the 19" "EIA" Standard and are provided to accept #10-32, #12-24, or M6 cage nuts (sold in packages of 100), on page 190.



'L' Shaped Mounting Angles

Catalog Number	Fits Enclosure Height		L		Mounting U's
	in.	mm	in.	mm	
ES-48RMA-L	48	1219	42.00	1067	24
ES-60RMA-L	60	1524	54.25	1378	31
ES-72RMA-L	72	1829	66.50	1689	38
ES-90RMA-L	90	2286	78.75	2000	45

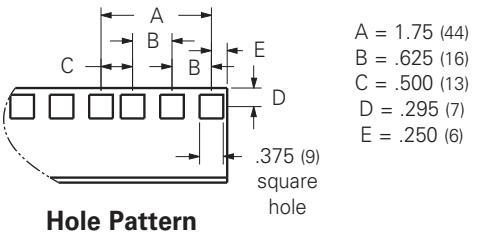
Kit contains two (2) full length 'L' angles, installation instructions, and hardware necessary to mount in single-door enclosures. Yellow Zinc finish.



'U' Shaped Mounting Angles

Catalog Number	Fits Enclosure Height		L		Mounting U's
	in.	mm	in.	mm	
ES-48RMA-U	48	1219	42.00	1067	24
ES-60RMA-U	60	1524	54.25	1378	31
ES-72RMA-U	72	1829	66.50	1689	38
ES-90RMA-U	90	2286	78.75	2000	45

Kit contains two (2) full length 'U' angles, installation instructions, and hardware necessary to mount in single-door enclosures. Yellow Zinc finish.



Notes: Dimensions are in inches. Millimeters shown are for reference only. Data subject to change without notice.

Type 4 Panel Enclosures

Type 4 Panel Enclosures

Free-Standing Enclosure Accessories Frames & Fasteners

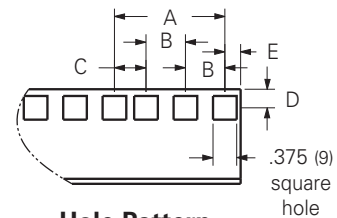
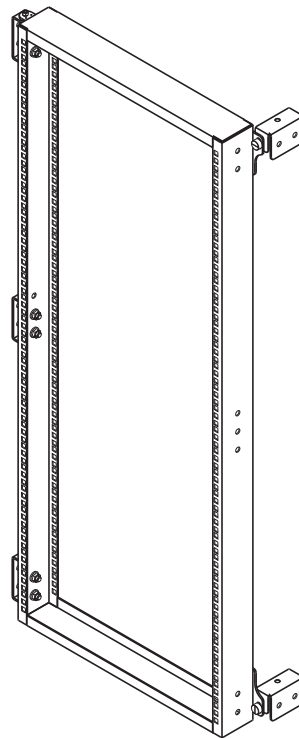
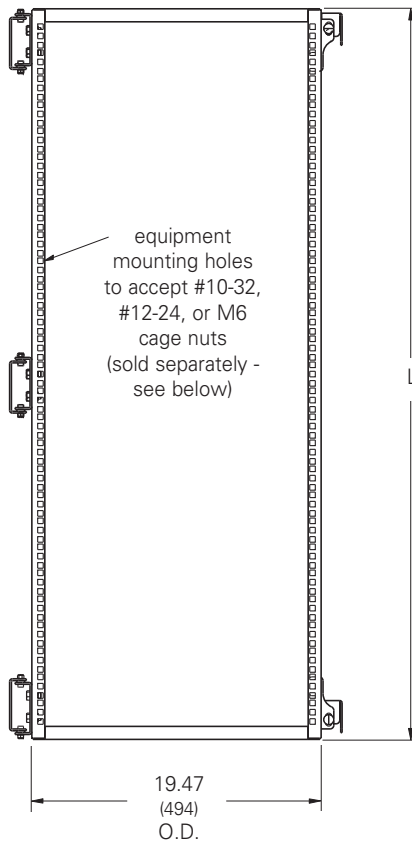
Illustration Sheet and Catalog Number

Discount Schedule: C2
Subclass: DSO

Swing-Out Rack Mounted Frame

Catalog Number	Fits Enclosure Height		L	
	in.	mm	in.	mm
ES-48SORMF	48	1219	36.91	937
ES-60SORMF	60	1524	49.16	1248
ES-72SORMF	72	1829	59.66	1515
ES-90SORMF	90	2286	77.18	1960

Heavy Duty Swing-Out Rack Mounting Frames are designed for mounting 19" (482mm) equipment in free standing enclosures. **A Center Post Assembly, "AFxxCPS" on page 183 and Panel Mounting Center Bracket, "AFCBRKT3" on page 186, (each sold separately) are required when mounting in any double door enclosure.** Mounting holes are spaced per the "EIA" Standard and are provided to accept #10-32, #12-24, or M6 cage nuts (sold in packages of 100). Swing-Out Rack Mounting frames have white powder coated finish.



Hole Pattern

- A = 1.75 (44)
- B = .625 (16)
- C = .500 (13)
- D = .295 (7)
- E = .250 (6)

Type 4 Panel Enclosures

Screws & Cage Nuts

Catalog Number	Description	Finish
Screws		
E2MA1032PHMS100	#10-32 Phillips	Clear Zinc
E2MA1224PHMS100	#12-24 Phillips	Clear Zinc
E2MAM6PHMS100	M6 Phillips	Yellow Zinc
Cage Nuts		
E2MACN1032100	#10-32 Threads	Clear Zinc
E2MACN1224100	#12-24 Threads	Clear Zinc
E2MACNM6100	M6 Threads	Yellow Zinc

Sold in bags of (100)



Screws



Cage Nuts

Notes: Dimensions are in inches. Millimeters shown are for reference only. Data subject to change without notice.

Free-Standing Enclosure Accessories Floor Stand & Stabilizer Kits Illustration Sheet and Catalog Number

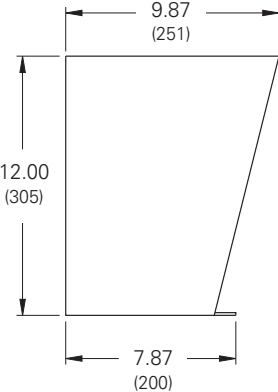
Discount Schedule: C2
Subclass: DS0



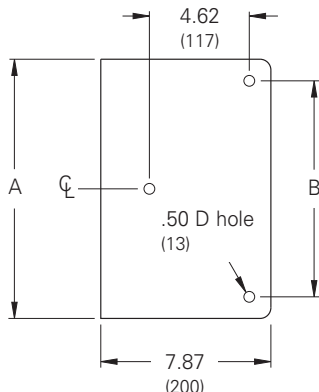
Floor Stand Kits

Catalog Number	A		B		C	
	in.	mm	in.	mm	in.	mm
MFK12	12.0	305	10.06	256	-	-
MFK16	16.0	406	14.06	357	-	-
MFK18	18.0	457	16.06	408	7.00	178
MFK20	20.0	508	18.06	459	8.00	203
MFK24	24.0	610	22.06	560	10.00	254

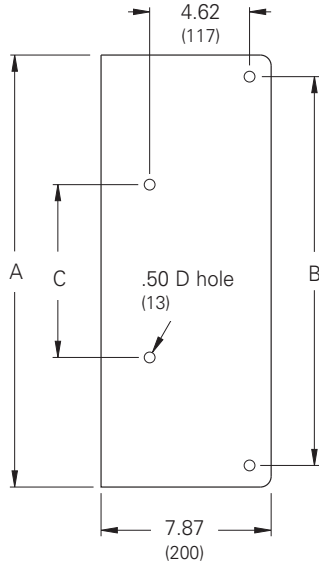
Floor Stand Kits are intended for use with EnviroShield™ Type 4X, Type 4 and Type 12 Enclosures where floor support is required. Each kit consists of two (10) gauge legs and hardware for mounting. At the base of each leg is a prepunched plate (see drawing). Steel kits have a gray polyester powder paint finish. Stainless steel kits are fabricated from 304 stainless steel. Standard Floor Stand Kits are 12 inches (305 mm) high. For special heights, special material or non-standard construction consult the factory.



Floor Stand Kit



Base 12 - 16 Deep



Base 18 - 24 Deep

Type 4 Panel Enclosures

Notes: Dimensions are in inches. Millimeters shown are for reference only. Data subject to change without notice.

Type 4 Panel Enclosures

Type 4 Panel Enclosures

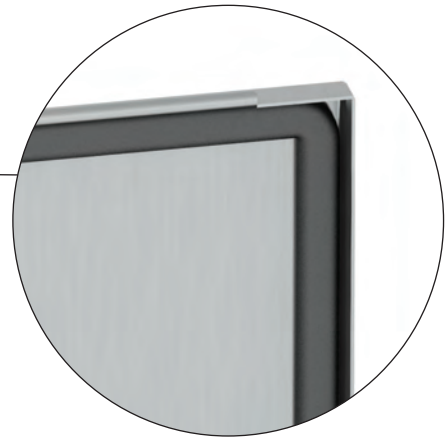
Type 4X Panel Enclosures



JIC Enclosures Type 4X Lift-Off Cover	194-195
JIC Enclosures Type 4X Lift-Off Cover, Aluminum	196-197
JIC Enclosures Type 4X JIC Continuous Hinge Cover	198-199
JIC Enclosures Type 4X JIC Continuous Hinge Cover Aluminum	200-201
JIC Enclosures Type 4X JIC Continuous Hinge Cover Quarter-Turn Latches	202-203
Wall-Mount Enclosures Type 4X Single-Door	204-205
Wall-Mount Enclosures Type 4X Single-Door, Aluminum	206-207
Wall-Mount Enclosures Type 4X Premier™ Quarter-Turn Latches	208-211
Premier™ Series Accessories	212-217
Wall-Mount Enclosures Type 4X Single-Door 3-Point Locking	218-219
Wall-Mount Enclosures Type 4X Double-Door 3-Point Locking	220-221
Ground-Mount Enclosures Type 4X Double-Door Floor Standing	222-223
Ground-Mount Enclosures Type 4X Double-Door Floor-Standing Quarter-Turn Latches	224-225
Ground-Mount Enclosures Type 4X Double-Door Floor-Standing 3-Point Locking	226-227
Ground-Mount Enclosures Type 4X Single-Door Free-Standing	228-229
Ground-Mount Enclosures Type 4X Single-Door Free-Standing Quarter-Turn Latches	230-231
Ground-Mount Enclosures Type 4X Single-Door Free-Standing 3-Point Locking	232-233
Ground-Mount Enclosures Type 4X Single-Door Dual Access Free-Standing 3-Point Locking	234-235
Ground-Mount Enclosures Type 4X Double-Door Free-Standing 3-Point Locking	236-237
Ground-Mount Enclosures Type 4X Double-Door Dual Access Free-Standing 3-Point Locking	238-239
Ground-Mount Enclosures Type 4X Double-Door EnviroShield™ Free-Standing 3-Point Locking	240-241
Free-Standing Enclosure Accessories	242-253

Type 4X Panel Enclosures

JIC Enclosures Type 4X Lift-Off Cover Data Sheet



Seamless, poured in-place gasket

Application

- Houses electrical controls and instruments
- Intended for indoor or outdoor use where a corrosive environment exists
- Protects against corrosion, windblown dust and rain, splashing water and hose directed water

Standards

- UL 508A listed, Type 4X, Type 4, Type 12 and Type 13
- CSA C22.2 No.94 certified, Type 4X, Type 4, Type 12 and Type 13
- Conforms to NEMA standard for Type 4X, Type 4, Type 12 and Type 13

Finish

- Cover and sides of body have a smooth #4 brushed finish

Accessories

- Panels
- JIC terminal strap kit
- JIC terminal strip kit
- Terminal blocks
- See Accessories section

Construction

- Enclosure and cover are fabricated from (16) gauge, Type 304 or Type 316L stainless steel
- All continuous welded seams are finished smooth
- Cover is secured to the body with easy-to-operate stainless steel screw clamps mounted on all four sides
- Cover has a seamless poured in-place gasket
- #10-32 weld nuts are provided for mounting optional panel on 6" x 4" and larger enclosures
- Ground stud provided on cover
- External mounting feet are provided for secure wall mounting

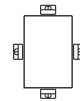
Discount Schedule: C2

**Subclass: DD0 (Type 304)
D10 (Type 316L)**

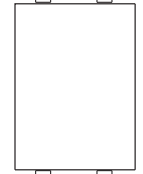
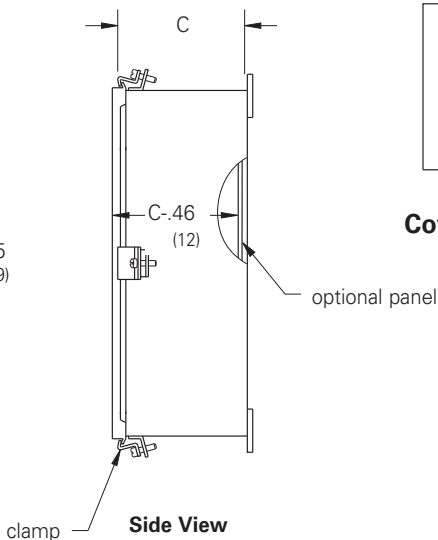
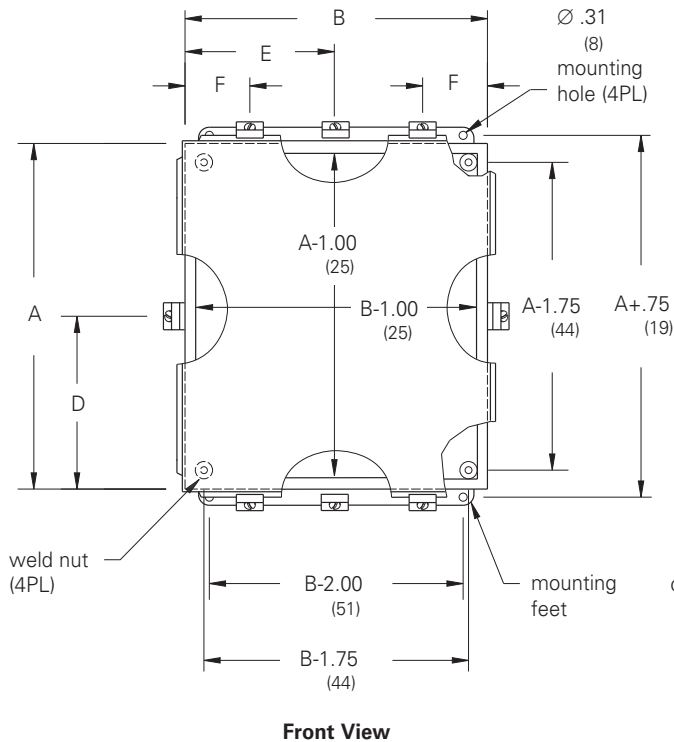
Notes: We can provide special sizes, finishes and other modifications. Consult the factory for your special requirements.

JIC Enclosures Type 4X Lift-Off Cover Illustration Sheet and Catalog Number

Enclosure Catalog Number Stainless Steel		Enclosure Size Height x Width x Depth A x B x C		D	E	F	Panel Catalog Number		Panel Size Height x Width		
Type 304	Type 316L	in.	mm	in.	mm	in.	mm	Steel	Conductive	in.	mm
443-4XSLC	443-4XSS6LC	4.00 x 4.00 x 3.00	102 x 102 x 76	2.00	51	2.00	51	-	-	-	-
643-4XSLC	643-4XSS6LC	6.00 x 4.00 x 3.00	152 x 102 x 76	3.00	76	2.00	51	AW64P	AW64GP	4.87 x 2.87	124 x 73
664-4XSLC	664-4XSS6LC	6.00 x 6.00 x 4.00	152 x 152 x 102	3.00	76	3.00	76	AW66P	AW66GP	4.87 x 4.87	124 x 124
864-4XSLC	864-4XSS6LC	8.00 x 6.00 x 4.00	203 x 152 x 102	-	-	-	-	AW86P	AW86GP	6.87 x 4.87	174 x 124
884-4XSLC	884-4XSS6LC	8.00 x 8.00 x 4.00	203 x 203 x 102	-	-	-	-	AW88P	AW88GP	6.87 x 6.87	174 x 174
1084-4XSLC	1084-4XSS6LC	10.00 x 8.00 x 4.00	254 x 203 x 102	-	-	-	-	AW108P	AW108GP	8.87 x 6.87	225 x 174
12105-4XSLC	12105-4XSS6LC	12.00 x 10.00 x 5.00	305 x 254 x 127	-	-	-	-	AW1210P	AW1210GP	10.87 x 8.87	276 x 225
14126-4XSLC	14126-4XSS6LC	14.00 x 12.00 x 6.00	356 x 305 x 152	-	-	-	-	AW1412P	AW1412GP	12.87 x 10.87	327 x 276
16146-4XSLC	16146-4XSS6LC	16.00 x 14.00 x 6.00	406 x 356 x 152	-	-	-	-	AW1614P	AW1614GP	14.87 x 12.87	378 x 327



443-4XSLC
643-4XSLC
664-4XSLC



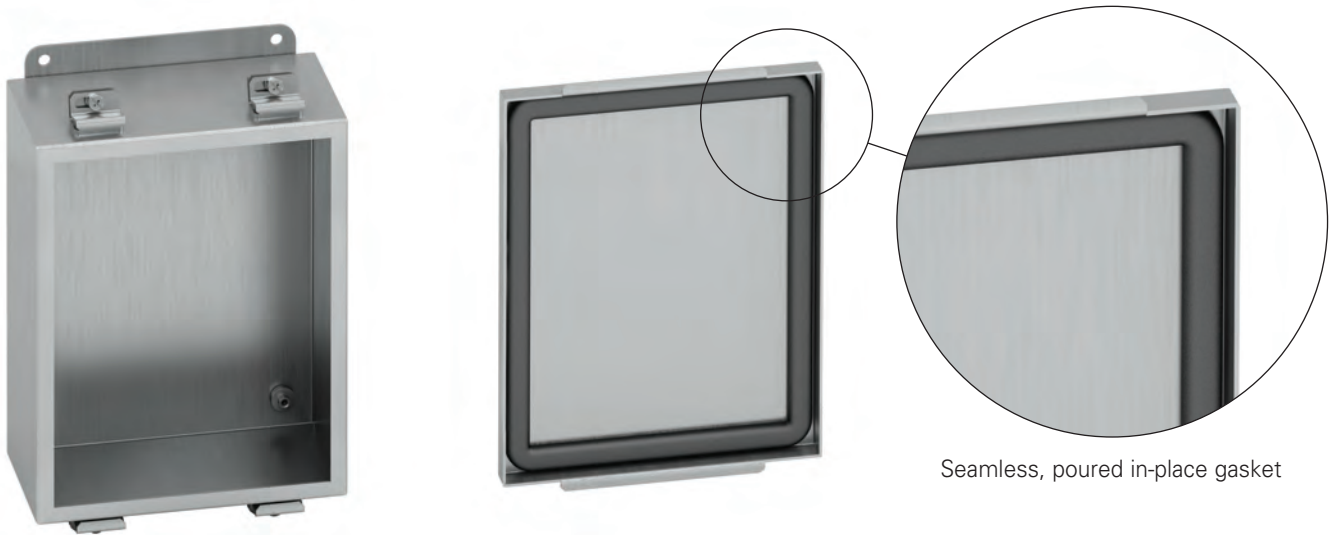
864-4XSLC
884-4XSLC
1084-4XSLC
12105-4XSLC
14126-4XSLC
16146-4XSLC

Cover Clamp Layout

Notes: Dimensions are in inches. Millimeters shown are for reference only. Data subject to change without notice.

Type 4X Panel Enclosures

JIC Enclosures Type 4X Lift-Off Cover, Aluminum Data Sheet



Seamless, poured in-place gasket

Application

- Houses electrical controls and instruments
- Intended for indoor or outdoor use where a corrosive environment exists
- Protects against corrosion, windblown dust and rain, splashing water and hose directed water

Standards

- UL 508A listed, Type 4, Type 4X, Type 12 and Type 13
- CSA C22.2 No.94 certified, Type 4, Type 4X, Type 12 and Type 13
- Conforms to NEMA standard for Type 4, Type 4X, Type 12 and Type 13

Finish

- Cover and sides of body have a smooth #4 brushed finish

Accessories

- Panels
- JIC terminal strap kit
- JIC terminal strip kit
- Terminal blocks
- See Accessories section

Construction

- Enclosure and cover are fabricated from (14) gauge, Type 5052-H32 aluminum
- All continuous welded seams are finished smooth
- Cover is secured to the body with easy-to-operate stainless steel screw clamps mounted on all four sides
- Each door has a print pocket and padlock hasp with sealing hole provision
- Cover has a seamless poured in-place gasket
- #10-32 weld nuts are provided for mounting optional panel on 6" x 4" and larger enclosures
- External mounting feet are provided for secure wall mounting

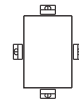
Discount Schedule: C2

Subclass: DDA

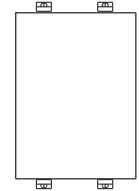
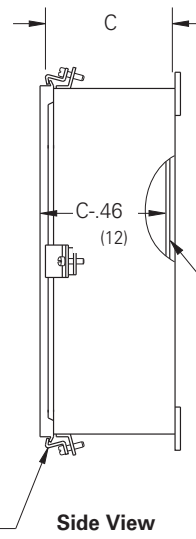
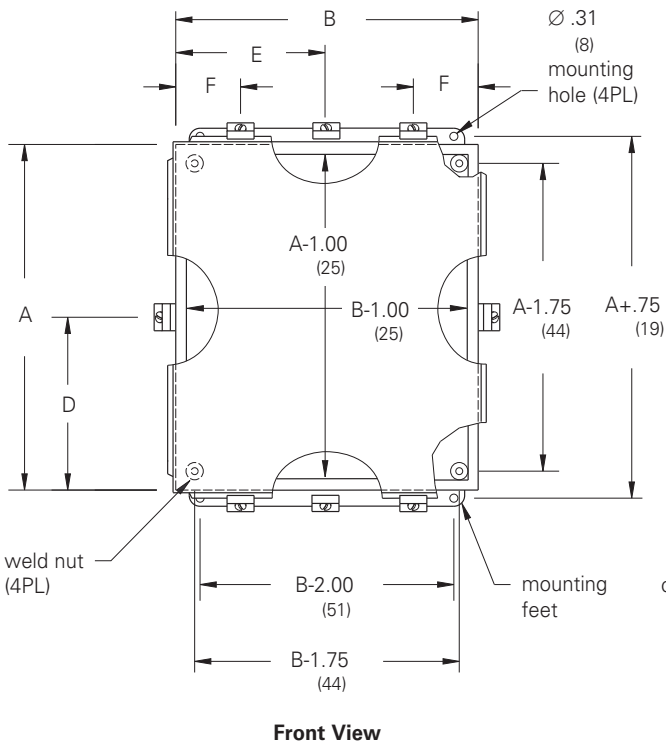
Notes: We can provide special sizes, finishes and other modifications. Consult the factory for your special requirements.

JIC Enclosures Type 4X Lift-Off Cover, Aluminum Illustration Sheet and Catalog Number

Enclosure Catalog Number	Enclosure Size Height x Width x Depth A x B x C		D		E		F		Panel Catalog Number		Panel Size Height x Width	
	in.	mm	in.	mm	in.	mm	in.	mm	Steel	Conductive	in.	mm
443-4XALC	4.00	102	2.00	51	2.00	51	-	-	-	-	-	-
643-4XALC	6.00	152	3.00	76	2.00	51	-	-	AW64P	AW64GP	4.87	124
664-4XALC	6.00	152	3.00	76	3.00	76	-	-	AW66P	AW66GP	4.87	124
864-4XALC	8.00	203	-	-	-	-	2.00	51	AW86P	AW86GP	6.87	174
884-4XALC	8.00	203	-	-	-	-	2.00	51	AW88P	AW88GP	6.87	174
1084-4XALC	10.00	254	-	-	-	-	2.00	51	AW108P	AW108GP	8.87	225
12105-4XALC	12.00	305	-	-	-	-	3.00	76	AW1210P	AW1210GP	10.87	276
14126-4XALC	14.00	356	-	-	-	-	3.00	76	AW1412P	AW1412GP	12.87	327
16146-4XALC	16.00	406	-	-	-	-	3.00	76	AW1614P	AW1614GP	14.87	378



443-4XALC
643-4XALC
664-4XALC



864-4XALC
884-4XALC
1084-4XALC
12105-4XALC
14126-4XALC
16146-4XALC

Cover Clamp Layout

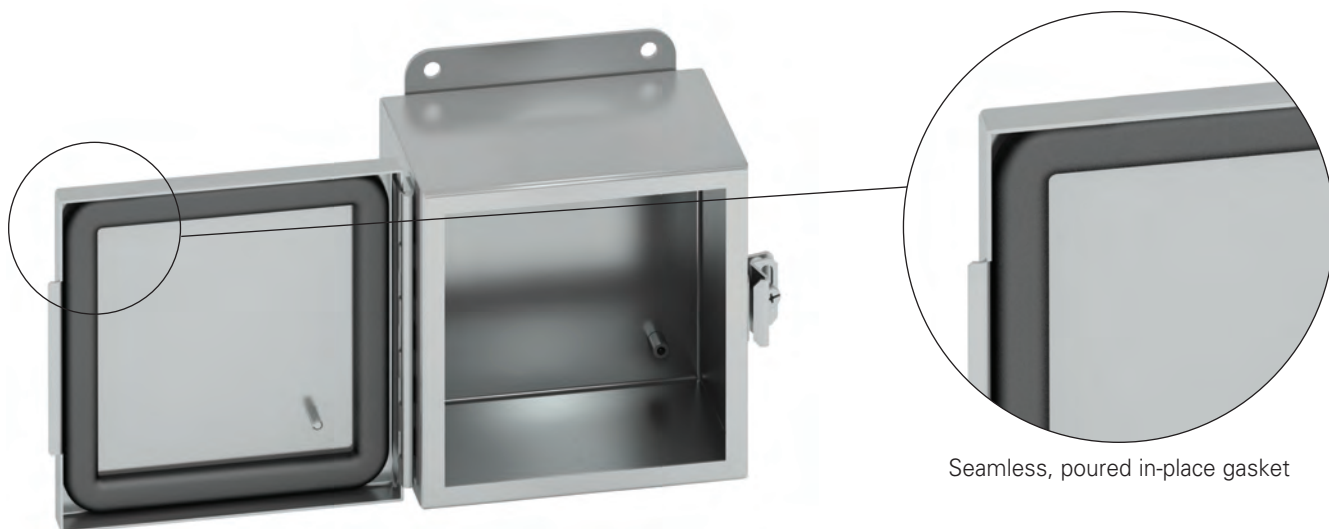
optional panel

Side View

Notes: Dimensions are in inches. Millimeters shown are for reference only. Data subject to change without notice.

Type 4X Panel Enclosures

JIC Enclosures Type 4X Continuous Hinge Cover Data Sheet



Seamless, poured in-place gasket

Application

- Houses electrical controls and instruments
- Intended for indoor or outdoor use where a corrosive environment exists
- Protects against corrosion, windblown dust and rain, splashing water and hose directed water

Standards

- UL 508A listed, Type 4, Type 4X, Type 12 and Type 13
- CSA C22.2 No.94 certified, Type 4, Type 4X, Type 12 and Type 13
- Conforms to NEMA standard for Type 4, Type 4X, Type 12 and Type 13

Finish

- Cover and sides of body have a smooth #4 brushed finish

Accessories

- Panels
- JIC terminal strap kit
- JIC terminal strip kit
- Terminal blocks
- See Accessories section

Construction

- Enclosure and cover are fabricated from (16) gauge, Type 304 or Type 316L stainless steel
- All continuous welded seams are finished smooth
- Cover is secured to the body with a stainless steel continuous hinge and pin on one side and easy-to-operate stainless steel screw clamps mounted to the opposite side
- Cover has a seamless poured in-place gasket
- Ground stud provided on cover
- #10-32 weld nuts are provided for mounting optional panel
- External mounting feet are provided for secure wall mounting

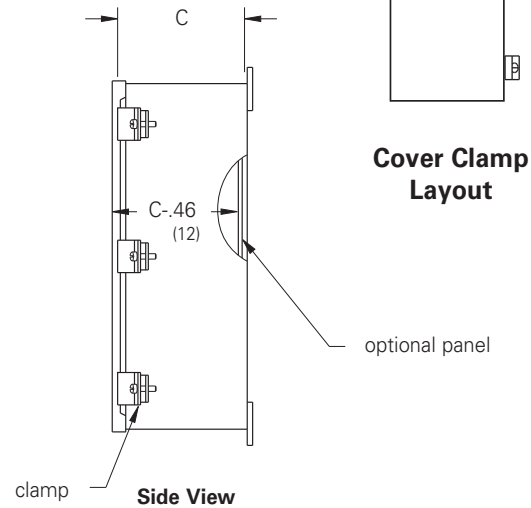
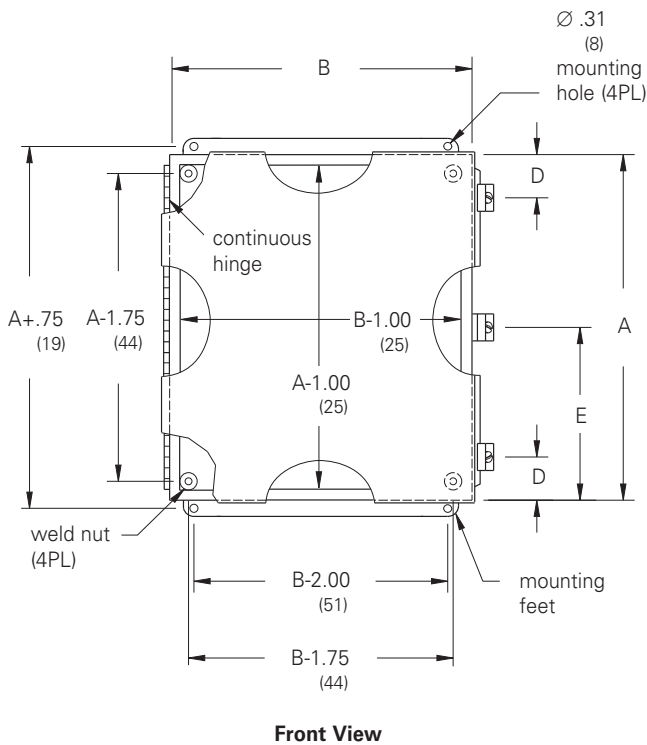
Discount Schedule: C2

**Subclass: DDO (Type 304)
D10 (Type 316L)**

Notes: We can provide special sizes, finishes and other modifications. Consult the factory for your special requirements.

JIC Enclosures Type 4X Continuous Hinge Cover Illustration Sheet and Catalog Number

Enclosure Catalog Number		Enclosure Size		D		E		Panel Catalog Number		Panel Size	
Stainless Steel		Height x Width x Depth								Height x Width	
Type 304	Type 316L	in.	mm	in.	mm	in.	mm	Steel	Conductive	in.	mm
644-4XSCHC	644-4XSS6CHC	6.00 x 4.00 x 4.00	152 x 102 x 102	-	-	3.00	76	AW64P	AW64GP	4.87 x 2.87	124 x 73
664-4XSCHC	664-4XSS6CHC	6.00 x 6.00 x 4.00	152 x 152 x 102	-	-	3.00	76	AW66P	AW66GP	4.87 x 4.87	124 x 124
864-4XSCHC	864-4XSS6CHC	8.00 x 6.00 x 4.00	203 x 152 x 102	2.00	51	-	-	AW86P	AW86GP	6.87 x 4.87	174 x 124
884-4XSCHC	884-4XSS6CHC	8.00 x 8.00 x 4.00	203 x 203 x 102	2.00	51	-	-	AW88P	AW88GP	6.87 x 6.87	174 x 174
1084-4XSCHC	1084-4XSS6CHC	10.00 x 8.00 x 4.00	254 x 203 x 102	2.00	51	-	-	AW108P	AW108GP	8.87 x 6.87	225 x 174
12106-4XSCHC	12106-4XSS6CHC	12.00 x 10.00 x 6.00	305 x 254 x 152	3.00	76	-	-	AW1210P	AW1210GP	10.87 x 8.87	276 x 225
12126-4XSCHC	12126-4XSS6CHC	12.00 x 12.00 x 6.00	305 x 305 x 152	3.00	76	-	-	AW1212P	AW1212GP	10.87 x 10.87	276 x 276
14126-4XSCHC	14126-4XSS6CHC	14.00 x 12.00 x 6.00	356 x 305 x 152	3.00	76	-	-	AW1412P	AW1412GP	12.87 x 10.87	327 x 276
16146-4XSCHC	16146-4XSS6CHC	16.00 x 14.00 x 6.00	406 x 356 x 152	3.00	76	-	-	AW1614P	AW1614GP	14.87 x 12.87	376 x 327



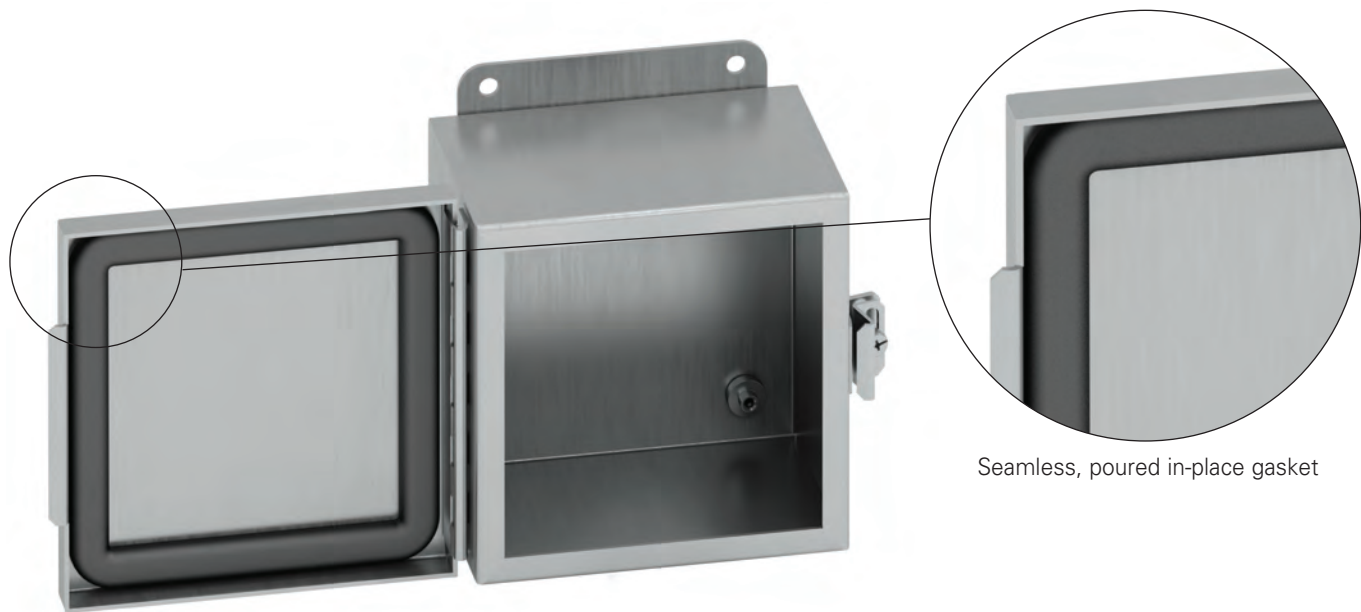
644-4XSCHC
664-4XSCHC

864-4XSCHC
884-4XSCHC
1084-4XSCHC
12106-4XSCHC
12126-4XSCHC
14126-4XSCHC
16146-4XSCHC

Notes: Dimensions are in inches. Millimeters shown are for reference only. Data subject to change without notice.

Type 4X Panel Enclosures

JIC Enclosures Type 4X Continuous Hinge Cover, Aluminum Data Sheet



Application

- Houses electrical controls and instruments
- Intended for indoor or outdoor use where a corrosive environment exists
- Protects against corrosion, windblown dust and rain, splashing water and hose directed water

Standards

- UL 508A listed, Type 4, Type 4X, Type 12 and Type 13
- CSA C22.2 No.94 certified, Type 4, Type 4X, Type 12 and Type 13
- Conforms to NEMA standard for Type 4, Type 4X, Type 12 and Type 13

Finish

- Cover and sides of body have a smooth #4 brushed finish

Accessories

- Panels
- JIC terminal strap kit
- JIC terminal strip kit
- Terminal blocks
- See Accessories section

Construction

- Enclosure and cover are fabricated from (14) gauge, Type 5052-H32 aluminum
- All continuous welded seams are finished smooth
- Cover is secured to the body with an aluminum continuous hinge and pin on one side and easy-to-operate stainless steel screw clamps mounted to the opposite side
- Cover has a seamless poured in-place gasket
- #10-32 weld nuts are provided for mounting optional panel
- External mounting feet are provided for secure wall mounting

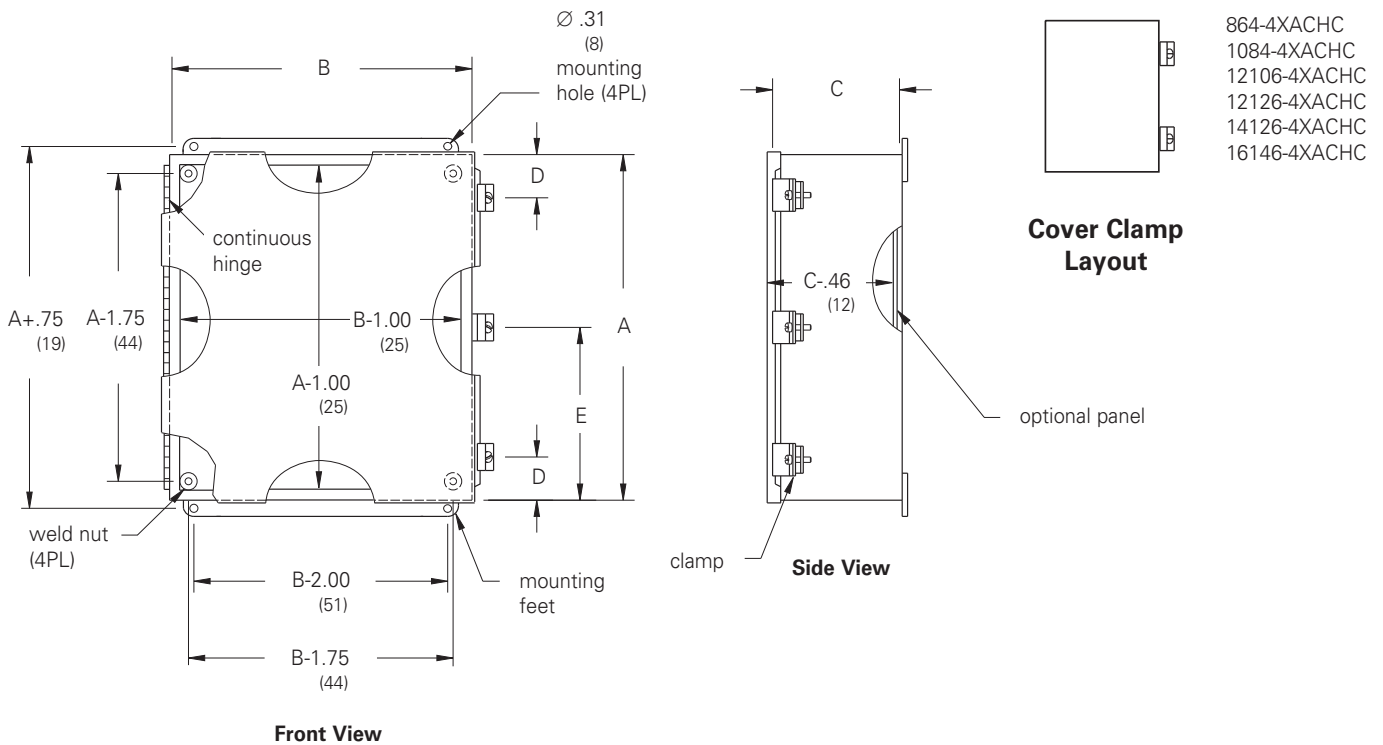
Discount Schedule: C2

Subclass: DDA

Notes: We can provide special sizes, finishes and other modifications. Consult the factory for your special requirements.

JIC Enclosures Type 4X Continuous Hinge Cover, Aluminum Illustration Sheet and Catalog Number

Enclosure Catalog Number	Enclosure Size Height x Width x Depth A x B x C		D		E		Panel Catalog Number		Panel Size Height x Width	
	in.	mm	in.	mm	in.	mm	Steel	Conductive	in.	mm
644-4XACHC	6.00 x 4.00 x 4.00	152 x 102 x 102	-	-	3.00	76	AW64P	AW64GP	4.87 x 2.87	124 x 73
664-4XACHC	6.00 x 6.00 x 4.00	152 x 152 x 102	-	-	3.00	76	AW66P	AW66GP	4.87 x 4.87	124 x 124
864-4XACHC	8.00 x 6.00 x 4.00	203 x 152 x 102	2.00	51	-	-	AW86P	AW86GP	6.87 x 4.87	174 x 124
1084-4XACHC	10.00 x 8.00 x 4.00	254 x 203 x 102	2.00	51	-	-	AW108P	AW108GP	8.87 x 6.87	225 x 174
12106-4XACHC	12.00 x 10.00 x 6.00	305 x 254 x 152	3.00	76	-	-	AW1210P	AW1210GP	10.87 x 8.87	276 x 225
12126-4XACHC	12.00 x 12.00 x 6.00	305 x 305 x 152	3.00	76	-	-	AW1212P	AW1212GP	10.87 x 10.87	276 x 276
14126-4XACHC	14.00 x 12.00 x 6.00	356 x 305 x 152	3.00	76	-	-	AW1412P	AW1412GP	12.87 x 10.87	327 x 276
16146-4XACHC	16.00 x 14.00 x 6.00	406 x 356 x 152	3.00	76	-	-	AW1614P	AW1614GP	14.87 x 12.87	378 x 327



Notes: Dimensions are in inches. Millimeters shown are for reference only. Data subject to change without notice.

Type 4X Panel Enclosures

JIC Enclosures

Type 4X Continuous Hinge Cover with Quarter-Turn Latches

Data Sheet



Application

- Houses electrical controls and instruments
- Intended for indoor or outdoor use where a corrosive environment exists
- Protects against windblown dust and rain, splashing water and hose directed water

Standards

- UL 508A Listed, Type 3R, Type 4, Type 4X, Type 12
- CSA C22.2 No.94 certified, Type 3R, Type 4, Type 4X, Type 12
- Conforms to NEMA Standards for Type 3, Type 3R, Type 4, Type 4X, Type 12

Finish

- Cover and sides of body have a smooth #4 brushed finish

Accessories

- Panels
- Swing-out panel kits
- JIC terminal kits
- Window kits
- Locks and latches

Construction

- Enclosure and cover are fabricated from (16) gauge stainless steel
- All continuous welded seams are finished smooth
- Stainless steel continuous hinge and pin
- Slotted quarter-turn flush latch(es)
- Cover has a seamless poured in-place gasket
- Ground stud provided on cover
- #10-32 weld nuts are provided for mounting optional panel
- External mounting feet

Discount Schedule: C2

Subclass: DDO

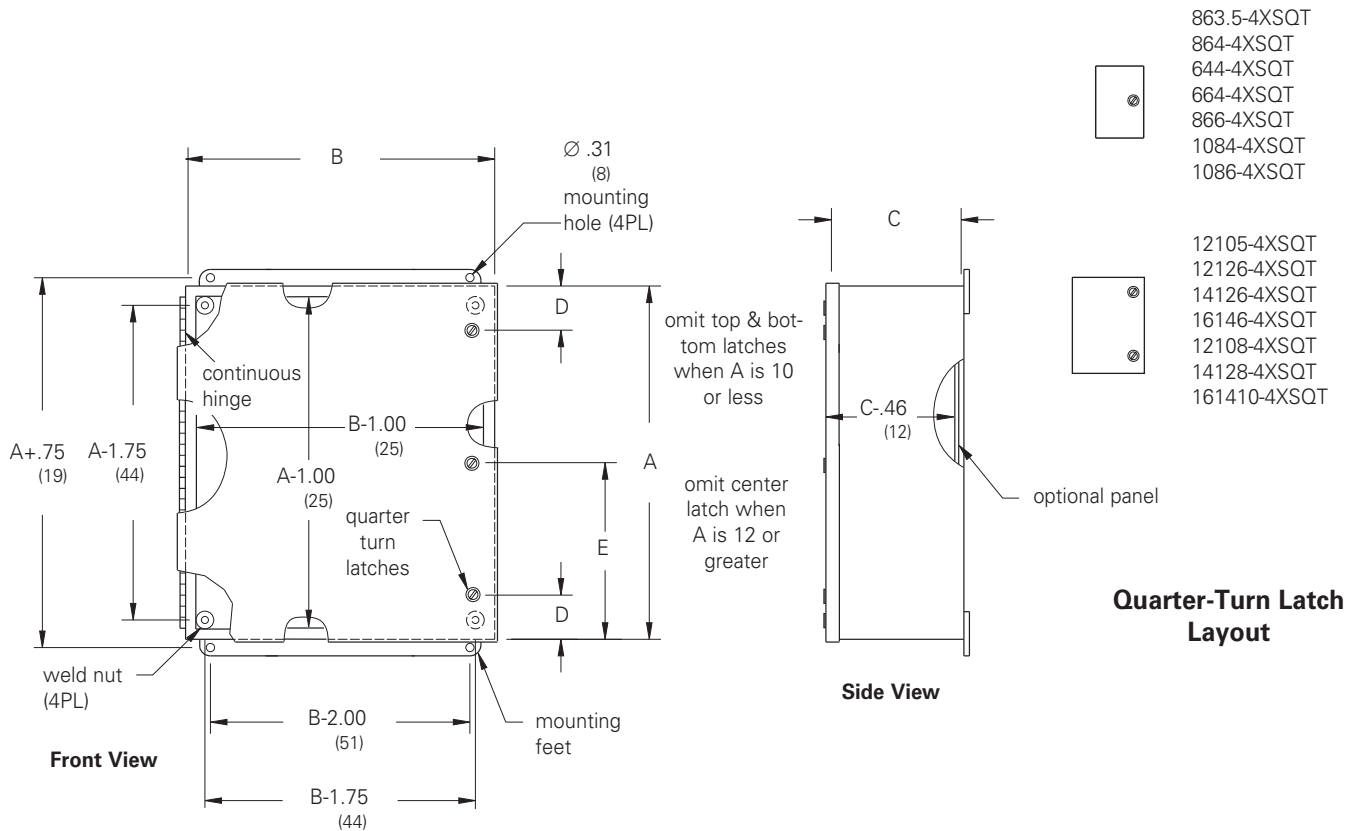
Notes: We can provide special sizes, finishes and other modifications. Consult the factory for your special requirements.

JIC Enclosures

Type 4X Continuous Hinge Cover with Quarter-Turn Latches

Illustration Sheet and Catalog Number

Enclosure Catalog Number	Enclosure Size Height x Width x Depth A x B x C		D		E		Panel Catalog Number		Panel Size Height x Width	
	in.	mm	in.	mm	in.	mm	Steel	Conductive	in.	mm
644-4XSQT	6.00 x 4.00 x 4.00	152 x 102 x 102	-	-	3.00	76	AW64P	AW64GP	4.87 x 2.87	124 x 73
664-4XSQT	6.00 x 6.00 x 4.00	152 x 152 x 102	-	-	3.00	76	AW66P	AW66GP	4.87 x 4.87	124 x 124
863.5-4XSQT	8.00 x 6.00 x 3.50	203 x 152 x 89	-	-	4.00	101	AW86P	AW86GP	6.87 x 4.87	174 x 124
864-4XSQT	8.00 x 6.00 x 4.00	203 x 152 x 102	-	-	4.00	101	AW86P	AW86GP	6.87 x 4.87	174 x 124
1084-4XSQT	10.00 x 8.00 x 4.00	254 x 203 x 102	-	-	5.00	127	AW108P	AW108GP	8.87 x 6.87	225 x 174
12105-4XSQT	12.00 x 10.00 x 5.00	305 x 254 x zzz	3.00	76	-	-	AW1210P	AW1210GP	10.87 x 8.87	276 x 225
866-4XSQT	8.00 x 6.00 x 6.00	203 x 152 x 152	-	-	4.00	101	AW86P	AW86GP	6.87 x 4.87	174 x 124
1086-4XSQT	10.00 x 8.00 x 6.00	254 x 203 x 152	-	-	5.00	127	AW108P	AW108GP	8.87 x 6.87	225 x 174
12126-4XSQT	12.00 x 12.00 x 6.00	305 x 305 x 152	3.00	76	-	-	AW1212P	AW1212GP	10.87 x 10.87	276 x 276
14126-4XSQT	14.00 x 12.00 x 6.00	355 x 305 x 152	3.00	76	-	-	AW1412P	AW1412GP	12.87 x 10.87	327 x 276
16146-4XSQT	16.00 x 14.00 x 6.00	406 x 355 x 152	3.00	76	-	-	AW1614P	AW1614GP	14.87 x 12.87	377 x 327
12108-4XSQT	12.00 x 10.00 x 8.00	305 x 254 x 203	3.00	76	-	-	AW1210P	AW1210GP	10.87 x 8.87	276 x 225
14128-4XSQT	14.00 x 12.00 x 8.00	355 x 305 x 203	3.00	76	-	-	AW1412P	AW1412GP	12.87 x 10.87	327 x 276
161410-4XSQT	16.00 x 14.00 x 10.00	406 x 355 x 254	3.00	76	-	-	AW1614P	AW1614GP	14.87 x 12.87	377 x 327



Notes: Dimensions are in inches. Millimeters shown are for reference only. Data subject to change without notice.

Type 4X Panel Enclosures

Wall-Mount Enclosures Type 4X Single-Door Data and Illustration Sheet



Application

- Houses electrical controls and instruments
- Intended for indoor or outdoor use where a corrosive environment exists
- Protects against corrosion, windblown dust and rain, splashing water and hose directed water

Standards

- UL 508A listed, Type 4, Type 4X, Type 12 and Type 13
- CSA C22.2 No.94 certified, Type 4, Type 4X, Type 12 and Type 13
- Conforms to NEMA standard for Type 4, Type 4X, Type 12 and Type 13

Construction

- Enclosure and door are fabricated from (14) gauge, Type 304 or Type 316L stainless steel
- All continuous welded seams are finished smooth
- Doors are secured to the body with a heavy-duty, stainless steel continuous hinge and pin on one side and easy to release stainless steel door clamps mounted to the other three sides
- Each door has a padlock hasp with sealing hole provision
- Print pocket provided
- Door has a seamless poured in-place gasket
- Ground stud provided on door and body
- Formed lip around enclosure opening diverts liquids and contaminants
- .375-16 collar studs are provided for mounting optional panel
- External mounting feet are provided for secure wall mounting

Finish

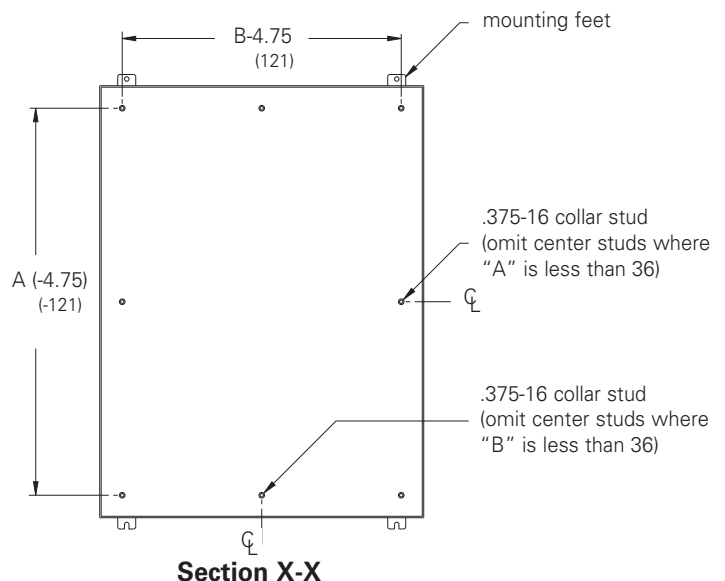
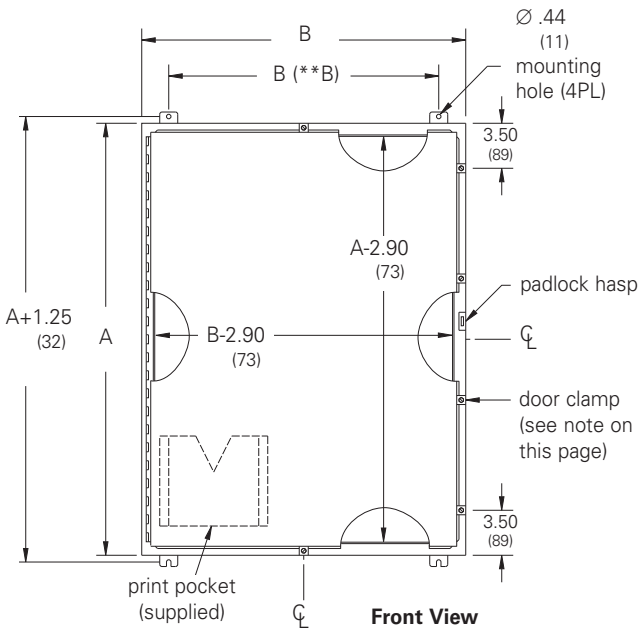
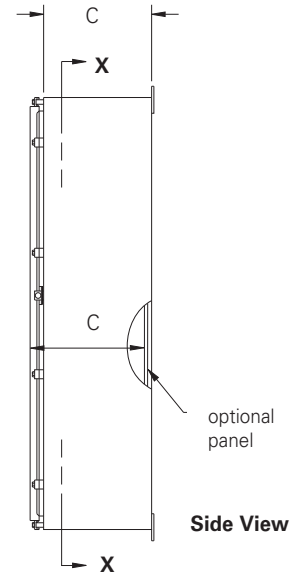
- Door and sides of body have a smooth #4 brushed finish

Accessories

- Panels
- NEMA terminal strap kit
- Terminal blocks
- Floor stand kit
- See Accessories section

Discount Schedule: C2

**Subclass: DG0 (Type 304)
D00 (Type 316L)**



Notes: Dimensions: **B = (-2.50) if 12 inches wide; (-6.00) if wider than 12 inches.
We can provide special sizes, finishes and other modifications. Consult the factory for your special requirements.

Wall-Mount Enclosures Type 4X Single-Door Catalog Number

Enclosure Catalog Number Stainless Steel		Enclosure Size Height x Width x Depth A x B x C		Panel Catalog Number		Panel Size Height x Width	
Type 304	Type 316L	in.	mm	Steel	Conductive	in.	mm
16126-4XS	16126-4XSS6	16.00 x 12.00 x 6.00	406 x 305 x 152	AW1612P	AW1612GP	13.00 x 9.00	330 x 229
16166-4XS	16166-4XSS6	16.00 x 16.00 x 6.00	406 x 406 x 152	AW1616P	AW1616GP	13.00 x 13.00	330 x 330
16206-4XS	16206-4XSS6	16.00 x 20.00 x 6.00	406 x 508 x 152	AW2016P	AW2016GP	17.00 x 13.00	432 x 330
20166-4XS	20166-4XSS6	20.00 x 16.00 x 6.00	208 x 406 x 152	AW2016P	AW2016GP	17.00 x 13.00	432 x 330
20206-4XS	20206-4XSS6	20.00 x 20.00 x 6.00	508 x 508 x 152	AW2020P	AW2020GP	17.00 x 17.00	432 x 432
24126-4XS	24126-4XSS6	24.00 x 12.00 x 6.00	610 x 305 x 152	AW2412P	--	21.00 x 9.00	533 x 229
24166-4XS	24166-4XSS6	24.00 x 16.00 x 6.00	610 x 406 x 152	AW2416P	AW2416GP	21.00 x 13.00	533 x 330
24206-4XS	24206-4XSS6	24.00 x 20.00 x 6.00	610 x 508 x 152	AW2420P	AW2420GP	20.87 x 16.87	530 x 428
24246-4XS	24246-4XSS6	24.00 x 24.00 x 6.00	610 x 610 x 152	AW2424P	AW2424GP	20.87 x 20.87	530 x 530
30246-4XS	30246-4XSS6	30.00 x 24.00 x 6.00	762 x 610 x 152	AW3024P	AW3024GP	26.87 x 20.87	682 x 530
36246-4XS	36246-4XSS6	36.00 x 24.00 x 6.00	914 x 610 x 152	AW3624P	AW3624GP	32.87 x 20.87	835 x 530
16128-4XS	16128-4XSS6	16.00 x 12.00 x 8.00	406 x 305 x 203	AW1612P	AW1612GP	13.00 x 9.00	330 x 229
20168-4XS	20168-4XSS6	20.00 x 16.00 x 8.00	508 x 406 x 203	AW2016P	AW2016GP	17.00 x 13.00	432 x 330
20208-4XS	20208-4XSS6	20.00 x 20.00 x 8.00	508 x 508 x 203	AW2020P	AW2020GP	17.00 x 17.00	432 x 432
20248-4XS	20248-4XSS6	20.00 x 24.00 x 8.00	508 x 610x203	AW2420P	AW2420GP	32.87 x 26.87	835 x 682
24168-4XS	24168-4XSS6	24.00 x 16.00 x 8.00	610 x 406 x 203	AW2416P	AW2416GP	21.00 x 13.00	533 x 330
24208-4XS	24208-4XSS6	24.00 x 20.00 x 8.00	610 x 508 x 203	AW2420P	AW2420GP	20.87 x 16.87	530 x 428
24248-4XS	24248-4XSS6	24.00 x 24.00 x 8.00	610 x 610 x 203	AW2424P	AW2424GP	20.87 x 20.87	530 x 530
24308-4XS	24308-4XSS6	24.00 x 30.00 x 8.00	610 x 762 x 203	AW3024P	AW3024GP	26.87 x 20.87	682 x 530
30208-4XS	30208-4XSS6	30.00 x 20.00 x 8.00	762 x 508 x 203	AW3020P	AW3020GP	26.87 x 16.87	682 x 428
30248-4XS	30248-4XSS6	30.00 x 24.00 x 8.00	762 x 610 x 203	AW3024P	AW3024GP	26.87 x 20.87	682 x 530
30308-4XS	30308-4XSS6	30.00 x 30.00 x 8.00	762 x 762 x 203	AW3030P	AW3030GP	26.87 x 26.87	682 x 682
36248-4XS	36248-4XSS6	36.00 x 24.00 x 8.00	914 x 610 x 203	AW3624P	AW3624GP	32.87 x 20.87	835 x 530
36308-4XS	36308-4XSS6	36.00 x 30.00 x 8.00	914 x 762 x 203	AW3630P	AW3630GP	32.87 x 26.87	835 x 682
42308-4XS	42308-4XSS6	42.00 x 30.00 x 8.00	1067 x 762 x 203	AW4230P	AW4230GP	38.87 x 26.87	987 x 682
42368-4XS	42368-4XSS6	42.00 x 36.00 x 8.00	1067 x 914 x 203	AW4236P	AW4236GP	38.87 x 32.87	987 x 835
48368-4XS	48368-4XSS6	48.00 x 36.00 x 8.00	1219 x 914 x 203	AW4836P	AW4836GP	44.87 x 32.87	1140 x 835
201610-4XS	201610-4XSS6	20.00 x 16.00 x 10.00	508 x 406 x 254	AW2016P	AW2016GP	17.00 x 13.00	432 x 330
242010-4XS	242010-4XSS6	24.00 x 20.00 x 10.00	610 x 508 x 254	AW2420P	AW2420GP	20.87 x 16.87	530 x 428
302410-4XS	302410-4XSS6	30.00 x 24.00 x 10.00	762 x 610 x 254	AW3024P	AW3024GP	26.87 x 20.87	682 x 530
362410-4XS	362410-4XSS6	36.00 x 24.00 x 10.00	914 x 610 x 254	AW3624P	AW3624GP	32.87 x 20.87	835 x 530
363010-4XS	363010-4XSS6	36.00 x 30.00 x 10.00	914 x 762 x 254	AW3630P	AW3630GP	32.87 x 26.87	835 x 682
423010-4XS	423010-4XSS6	42.00 x 30.00 x 10.00	1067 x 762 x 254	AW4230P	AW4230GP	38.87 x 26.87	987 x 682
483010-4XS	483010-4XSS6	48.00 x 30.00 x 10.00	1219 x 762 x 254	AW4830P	AW4830GP	44.87 x 26.87	1140 x 682
483610-4XS	483610-4XSS6	48.00 x 36.00 x 10.00	1219 x 914 x 254	AW4836P	AW4836GP	44.87 x 32.87	1140 x 835
603610-4XS	603610-4XSS6	60.00 x 36.00 x 10.00	1524 x 914 x 254	AW6036P	AW6036GP	56.87 x 32.87	1444 x 835
242412-4XS	242412-4XSS6	24.00 x 24.00 x 12.00	610 x 610 x 305	AW2424P	AW2424GP	20.87 x 20.87	530 x 530
302412-4XS	302412-4XSS6	30.00 x 24.00 x 12.00	762 x 610 x 305	AW3024P	AW3024GP	26.87 x 20.87	682 x 530
363012-4XS	363012-4XSS6	36.00 x 30.00 x 12.00	914 x 762 x 305	AW3630P	AW3630GP	32.87 x 26.87	835 x 682
363612-4XS	363612-4XSS6	36.00 x 36.00 x 12.00	914 x 914 x 305	AW3636P	--	32.87 x 32.87	835 x 835
483612-4XS	483612-4XSS6	48.00 x 36.00 x 12.00	1219 x 914 x 305	AW4836P	AW4836GP	44.87 x 32.87	1140 x 835
603612-4XS	603612-4XSS6	60.00 x 36.00 x 12.00	1524 x 914 x 305	AW6036P	AW6036GP	56.87 x 32.87	1444 x 835
302416-4XS	302416-4XSS6	30.00 x 24.00 x 16.00	762 x 610 x 406	AW3024P	AW3024GP	26.87 x 20.87	682 x 530
363016-4XS	363016-4XSS6	36.00 x 30.00 x 16.00	914 x 762 x 406	AW3630P	AW3630GP	32.87 x 26.87	835 x 682
483616-4XS	483616-4XSS6	48.00 x 36.00 x 16.00	1219 x 914 x 406	AW4836P	AW4836GP	44.87 x 32.87	1140 x 835
603616-4XS	603616-4XSS6	60.00 x 36.00 x 16.00	1524 x 914 x 406	AW6036P	AW6036GP	56.87 x 32.87	1444 x 835

Type 4X Panel Enclosures

Notes: Clamps are mounted along three sides of the enclosure door. Spacing between clamps along side opposite the hinge does not exceed 15 inches. Dimensions are in inches. Millimeters shown are for reference only. Data subject to change without notice.

Type 4X Panel Enclosures

Wall-Mount Enclosures Type 4X Single-Door, Aluminum Data Sheet and Catalog Number



Application

- Houses electrical controls and instruments
- Intended for indoor or outdoor use where a corrosive environment exists
- Protects against corrosion, windblown dust and rain, splashing water and hose directed water

Standards

- UL 508A listed, Type 4, Type 4X, Type 12 and Type 13
- CSA C22.2 No.94 certified, Type 4, Type 4X, Type 12 and Type 13
- Conforms to NEMA standard for Type 4, Type 4X, Type 12 and Type 13

Finish

- Door and sides of body have a smooth #4 brushed finish

Accessories

- Panels
- NEMA terminal strap kit
- Terminal blocks
- Floor stand kit
- See Accessories section

Construction

- Enclosure and door are fabricated from (14) gauge, Type 5052-H32 aluminum
- All continuous welded seams are finished smooth
- Doors are secured to the body with a heavy-duty, aluminum continuous hinge and pin on one side and easy to operate stainless steel door clamps mounted to the other three sides
- Each door has a padlock hasp with sealing hole provision
- Print pocket provided
- Door has a seamless poured in-place gasket
- Formed lip around enclosure opening diverts liquids and contaminants
- .375-16 collar studs are provided for mounting optional panel
- External mounting feet are provided for secure wall mounting

Discount Schedule: C2

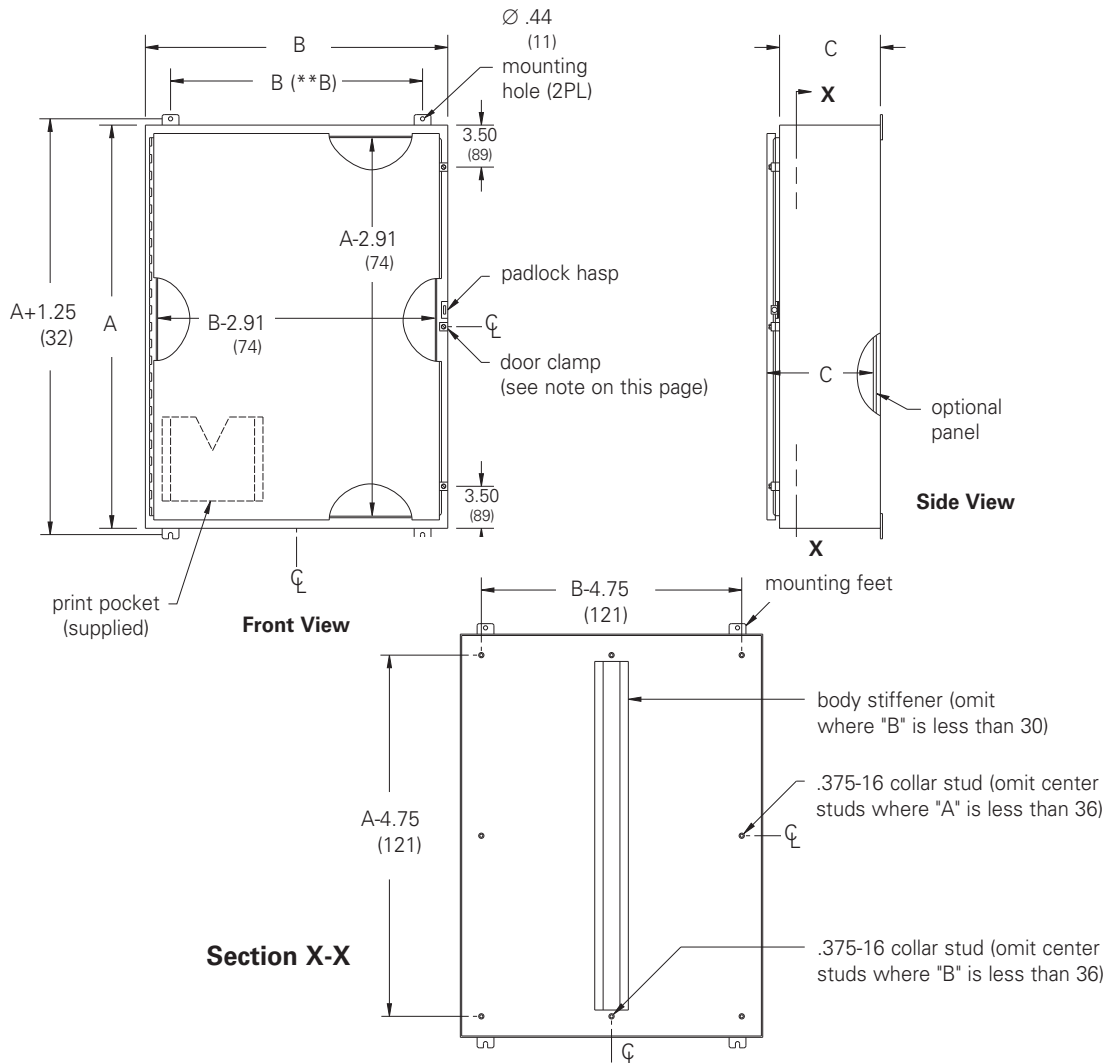
Subclass: DGA

Enclosure Catalog Number	Enclosure Size Height x Width x Depth A x B x C		Panel Catalog Number		Panel Size Height x Width	
	in.	mm	Steel	Conductive	in.	mm
16126-4XA	16.00 x 12.00 x 6.00	406 x 305 x 152	AW1612P	AW1612GP	13.00 x 9.00	330 x 229
16166-4XA	16.00 x 16.00 x 6.00	406 x 406 x 152	AW1616P	AW1616GP	13.00 x 13.00	330 x 330
20166-4XA	20.00 x 16.00 x 6.00	508 x 406 x 152	AW2016P	AW2016GP	17.00 x 13.00	432 x 330
20206-4XA	20.00 x 20.00 x 6.00	508 x 508 x 152	AW2020P	AW2020GP	17.00 x 17.00	432 x 432
24206-4XA	24.00 x 20.00 x 6.00	610 x 508 x 152	AW2420P	AW2420GP	20.87 x 16.87	530 x 428
16128-4XA	16.00 x 12.00 x 8.00	406 x 305 x 203	AW1612P	AW1612GP	13.00 x 9.00	330 x 229
20168-4XA	20.00 x 16.00 x 8.00	508 x 406 x 203	AW2016P	AW2016GP	17.00 x 13.00	432 x 330
24168-4XA	24.00 x 16.00 x 8.00	610 x 406 x 203	AW2416P	AW2416GP	21.00 x 13.00	533 x 330
24208-4XA	24.00 x 20.00 x 8.00	610 x 508 x 203	AW2420P	AW2420GP	20.87 x 16.87	530 x 428
24248-4XA	24.00 x 24.00 x 8.00	610 x 610 x 203	AW2424P	AW2424GP	20.87 x 20.87	530 x 530
24308-4XA	24.00 x 30.00 x 8.00	610 x 762 x 203	AW3024P	AW3024GP	26.87 x 20.87	682 x 530
30208-4XA	30.00 x 20.00 x 8.00	762 x 508 x 203	AW3020P	AW3020GP	26.87 x 16.87	682 x 428
30248-4XA	30.00 x 24.00 x 8.00	762 x 610 x 203	AW3024P	AW3024GP	26.87 x 20.87	682 x 530
30308-4XA	30.00 x 30.00 x 8.00	762 x 762 x 203	AW3030P	AW3030GP	26.87 x 26.87	682 x 682
36248-4XA	36.00 x 24.00 x 8.00	914 x 610 x 203	AW3624P	AW3624GP	32.87 x 20.87	835 x 530
36308-4XA	36.00 x 30.00 x 8.00	914 x 762 x 203	AW3630P	AW3630GP	32.87 x 26.87	835 x 682
42368-4XA	42.00 x 36.00 x 8.00	1067 x 914 x 203	AW4236P	AW4236GP	38.87 x 32.87	987 x 835
48368-4XA	48.00 x 36.00 x 8.00	1219 x 914 x 203	AW4836P	AW4836GP	44.87 x 32.87	1140 x 835

Notes: We can provide special sizes, finishes and other modifications. Consult the factory for your special requirements.

Wall-Mount Enclosures Type 4X Single-Door, Aluminum Illustration Sheet and Catalog Number

Enclosure Catalog Number	Enclosure Size Height x Width x Depth A x B x C		Panel Catalog Number		Panel Size Height x Width	
	in.	mm	Steel	Conductive	in.	mm
201610-4XA	20.00 x 16.00 x 10.00	508 x 406 x 254	AW2016P	AW2016GP	17.00 x 13.00	432 x 330
242010-4XA	24.00 x 20.00 x 10.00	610 x 508 x 254	AW2420P	AW2420GP	20.87 x 16.87	530 x 428
362410-4XA	36.00 x 24.00 x 10.00	914 x 610 x 254	AW3624P	AW3624GP	32.87 x 20.87	835 x 530
363010-4XA	36.00 x 30.00 x 10.00	914 x 762 x 254	AW3630P	AW3630GP	32.87 x 26.87	835 x 682
423010-4XA	42.00 x 30.00 x 10.00	1067 x 762 x 254	AW4230P	AW4230GP	38.87 x 26.87	987 x 682
242412-4XA	24.00 x 24.00 x 12.00	610 x 610 x 305	AW2424P	AW2424GP	20.87 x 20.87	530 x 530
302412-4XA	30.00 x 24.00 x 12.00	762 x 610 x 305	AW3024P	AW3024GP	26.87 x 20.87	682 x 530
363012-4XA	36.00 x 30.00 x 12.00	914 x 762 x 305	AW3630P	AW3630GP	32.87 x 26.87	835 x 682
483612-4XA	48.00 x 36.00 x 12.00	1219 x 914 x 305	AW4836P	AW4836GP	44.87 x 32.87	1140 x 835
603612-4XA	60.00 x 36.00 x 12.00	1524 x 914 x 305	AW6036P	AW6036GP	56.87 x 32.87	1444 x 835
362416-4XA	36.00 x 24.00 x 16.00	914 x 610 x 406	AW3624P	AW3624GP	32.87 x 20.87	835 x 530
363016-4XA	36.00 x 30.00 x 16.00	914 x 762 x 406	AW3630P	AW3630GP	32.87 x 26.87	835 x 682
483616-4XA	48.00 x 36.00 x 16.00	1219 x 914 x 406	AW4836P	AW4836GP	44.87 x 32.87	1140 x 835



Notes: Dimensions: **B = (-2.50) if 12 inches wide; (-6.00) if wider than 12 inches. Clamps are mounted along three sides of the enclosure door. Spacing between clamps along side opposite the hinge does not exceed 15 inches. Dimensions are in inches. Millimeters shown are for reference only. Data subject to change without notice.

Type 4X Panel Enclosures

Wall-Mount Enclosures Type 4X Premier™ Series with Quarter-Turn Latches Data Sheet



Application

- Houses electrical controls and instruments
- Intended for indoor or outdoor use where a corrosive environment exists
- Protects against corrosion, circulating and windblown dust, falling dirt, dripping non-corrosive liquids, rain, splashing water and hose directed water

Standards

- UL 508A Listed, Type 4X, Type 4 and Type 12
- cUL Listed, Type 4X, Type 4 and Type 12
- Conforms to NEMA standard for Type 4X, Type 4 and 12
- Wall-mounting brackets required to maintain UL/CSA external mounting requirements

Finish

- Door and sides of body have a smooth #4 brushed finish

Accessories

- Premier panels
- NEMA panel adapters
- Depth adjustment brackets
- Print pockets
- Padlockable or keyed handles
- Security latch inserts
- Mounting foot kits
- EIA/TIA rack mounting angles
- Swing-out panels
- See Premier Series Accessories pages, 212-217

Construction

- Enclosure and door are fabricated from code gauge Type 304 or Type 316L stainless steel (see pages 209 & 210)
- All continuous welded seams are finished smooth
- Hardware kit provided contains grounding hardware, .312-18 flanged hex nuts for panel mounting, and sealing washers for body mounting holes

Body Construction

- Body flange trough design is formed around body opening to divert liquid contaminants away from door opening
- Reduced width flange design increases enclosure opening
- Ground stud provided on enclosure body and door
- .312-18 collar studs are provided for mounting optional Premier panels
- Enclosure mounting holes in body provided for direct mounting or optional mounting feet

Door Construction

- Doors are secured to the body with a concealed hinge design on one side and slotted quarter-turn flush latch(es) on the opposite side
- Doors are easily removed and interchangeable
- Door has a seamless poured in-place gasket
- Door opens 180° for easy access
- Window-door enclosures feature flush-mounted clear polycarbonate window

Discount Schedule: C2

Subclass: TE0

Notes: We can provide special sizes, finishes and other modifications. Consult the factory for your special requirements.

Wall-Mount Enclosures Type 4X Premier™ Series with Quarter-Turn Latches Catalog Number

Enclosure Catalog		Enclosure Number		Size Door/Body Gauge	* Panel Catalog Number	Panel Size H x W		Mounting D x E		Window Size F x G		Latch Qty.	J	
Solid Door	Window Door	A x B x C in.	A x B x C mm			in.	mm	in.	mm	in.	mm		in.	mm
1084-SDSS4	-	10 x 8 x 4	254 x 203 x 102	16/16	108P	8.00 x 6.00	203 x 152	8.50 x 6.37	216 x 162	-	-	1	5.00	127
1086-SDSS4	-	10 x 8 x 6	254 x 203 x 152	16/16	108P	8.00 x 6.00	203 x 152	8.50 x 6.37	216 x 162	-	-	1	5.00	127
12106-SDSS4	-	12 x 10 x 6	305 x 254 x 152	16/16	1210P	10.00 x 8.00	254 x 203	10.50 x 8.37	267 x 213	-	-	1	6.00	152
12126-SDSS4	12126-SDWSS4	12 x 12 x 6	305 x 305 x 152	16/16	1212P	10.00 x 10.00	254 x 254	10.50 x 10.37	267 x 264	8.25 x 7.00	210 x 178	1	6.00	152
16126-SDSS4	16126-SDWSS4	16 x 12 x 6	406 x 305 x 152	16/16	1612P	14.00 x 10.00	356 x 254	14.50 x 10.37	368 x 264	12.25 x 7.00	311 x 178	1	8.00	203
16166-SDSS4	-	16 x 16 x 6	406 x 406 x 152	16/16	1616P	14.00 x 14.00	356 x 356	14.50 x 14.37	368 x 365	-	-	1	8.00	203
20166-SDSS4	20166-SDWSS4	20 x 16 x 6	508 x 406 x 152	16/16	2016P	18.00 x 14.00	457 x 356	18.50 x 14.37	470 x 365	16.25 x 11.00	413 x 279	1	10.00	254
20206-SDSS4	20206-SDWSS4	20 x 20 x 6	508 x 508 x 152	16/16	2020P	18.00 x 18.00	457 x 457	18.50 x 18.37	470 x 467	16.25 x 15.00	413 x 381	1	10.00	254
16128-SDSS4	-	16 x 12 x 8	406 x 305 x 203	16/16	1612P	14.00 x 10.00	356 x 254	14.50 x 10.37	368 x 264	-	-	1	8.00	203
16168-SDSS4	-	16 x 16 x 8	406 x 406 x 203	16/16	1616P	14.00 x 14.00	356 x 356	14.50 x 14.37	368 x 365	-	-	1	8.00	203
16208-SDSS4	-	16 x 20 x 8	406 x 508 x 203	16/16	2016P	14.00 x 18.00	356 x 457	14.50 x 18.37	368 x 467	-	-	1	8.00	203
20168-SDSS4	20168-SDWSS4	20 x 16 x 8	508 x 406 x 203	16/16	2016P	18.00 x 14.00	457 x 356	18.50 x 14.37	470 x 365	16.25 x 11.00	413 x 279	1	10.00	254
20208-SDSS4	20208-SDWSS4	20 x 20 x 8	508 x 508 x 203	16/16	2020P	18.00 x 18.00	457 x 457	18.50 x 18.37	470 x 467	16.25 x 15.00	413 x 381	1	10.00	254
24168-SDSS4	-	24 x 16 x 8	610 x 406 x 203	16/16	2416P	22.00 x 14.00	559 x 356	22.50 x 14.37	572 x 365	-	-	1	5.00	127
24208-SDSS4	24208-SDWSS4	24 x 20 x 8	610 x 508 x 203	16/16	2420P	22.00 x 18.00	559 x 457	22.50 x 18.37	572 x 467	20.25 x 15.00	514 x 381	1	5.00	127
24248-SDSS4	24248-SDWSS4	24 x 24 x 8	610 x 610 x 203	14/16	2424P	22.00 x 22.00	559 x 559	22.50 x 22.37	572 x 568	20.25 x 17.62	514 x 448	2	5.00	127
30248-SDSS4	30248-SDWSS4	30 x 24 x 8	762 x 610 x 203	14/16	3024P	28.00 x 22.00	711 x 559	28.50 x 22.37	724 x 568	26.25 x 17.62	667 x 448	2	5.00	127
30308-SDSS4	-	30 x 30 x 8	762 x 762 x 203	14/14	3030P	28.00 x 28.00	711 x 711	28.50 x 28.37	724 x 721	-	-	2	5.00	127
36248-SDSS4	-	36 x 24 x 8	914 x 610 x 203	14/16	3624P	34.00 x 22.00	864 x 559	34.50 x 22.37	876 x 568	-	-	2	5.00	127
36308-SDSS4	-	36 x 30 x 8	914 x 762 x 203	14/14	3630P	34.00 x 28.00	864 x 711	34.50 x 28.37	876 x 721	-	-	2	5.00	127
36368-SDSS4	-	36 x 36 x 8	914 x 914 x 203	14/14	3636P	34.00 x 34.00	864 x 864	34.50 x 34.37	876 x 873	-	-	2	5.00	127
201610-SDSS4	-	20 x 16 x 10	508 x 406 x 254	14/14	2016P	18.00 x 14.00	457 x 356	18.50 x 14.37	470 x 365	-	-	1	10.00	254
302010-SDSS4	-	30 x 20 x 10	762 x 508 x 254	14/14	3020P	28.00 x 18.00	711 x 457	28.50 x 18.37	724 x 467	-	-	2	5.00	127
423010-SDSS4	-	42 x 30 x 10	1067 x 762 x 254	14/14	4230P	40.00 x 28.00	1016 x 711	40.50 x 28.37	1029 x 721	-	-	3	5.00	127
202012-SDSS4	202012-SDWSS4	20 x 20 x 12	508 x 508 x 305	14/14	2020P	18.00 x 18.00	457 x 457	18.50 x 18.37	470 x 467	16.25 x 15.00	413 x 381	1	10.00	254
242012-SDSS4	-	24 x 20 x 12	610 x 508 x 305	14/14	2420P	22.00 x 18.00	559 x 457	22.50 x 18.37	572 x 467	-	-	2	5.00	127
242412-SDSS4	-	24 x 24 x 12	610 x 610 x 305	14/14	2424P	22.00 x 22.00	559 x 559	22.50 x 22.37	572 x 568	-	-	2	5.00	127
302412-SDSS4	302412-SDWSS4	30 x 24 x 12	762 x 610 x 305	14/14	3024P	28.00 x 22.00	711 x 559	28.50 x 22.37	724 x 568	26.25 x 17.62	667 x 448	2	5.00	127
303012-SDSS4	-	30 x 30 x 12	762 x 762 x 305	14/14	3030P	28.00 x 28.00	711 x 711	28.50 x 28.37	724 x 724	-	-	2	5.00	127
362412-SDSS4	-	36 x 24 x 12	914 x 610 x 305	14/14	3624P	34.00 x 22.00	864 x 559	34.50 x 22.37	876 x 568	-	-	2	5.00	127
363012-SDSS4	-	36 x 30 x 12	914 x 762 x 305	14/14	3630P	34.00 x 28.00	864 x 711	34.50 x 28.37	876 x 721	-	-	2	5.00	127
363612-SDSS4	-	36 x 36 x 12	914 x 914 x 305	14/14	3636P	34.00 x 34.00	864 x 864	34.50 x 34.37	876 x 873	-	-	2	5.00	127
423612-SDSS4	-	42 x 36 x 12	1067 x 914 x 305	14/14	4236P	40.00 x 34.00	1016 x 864	40.50 x 34.37	1029 x 873	-	-	3	5.00	127
483612-SDSS4	-	48 x 36 x 12	1219 x 914 x 305	14/14	4836P	46.00 x 34.00	1168 x 864	46.50 x 34.37	1181 x 873	-	-	3	5.00	127
603612-SDSS4	-	60 x 36 x 12	1524 x 914 x 305	14/14	6036P	58.00 x 34.00	1473 x 864	58.50 x 34.37	1486 x 873	-	-	3	5.00	127
242416-SDSS4	-	24 x 24 x 16	610 x 610 x 406	14/14	2424P	22.00 x 22.00	559 x 559	22.50 x 22.37	572 x 568	-	-	2	5.00	127
302416-SDSS4	-	30 x 24 x 16	762 x 610 x 406	14/14	3024P	28.00 x 22.00	711 x 559	28.50 x 22.37	724 x 568	-	-	2	5.00	127
423616-SDSS4	-	42 x 36 x 16	1067 x 914 x 406	14/14	4236P	40.00 x 34.00	1016 x 864	40.50 x 34.37	1029 x 873	-	-	3	5.00	127
483616-SDSS4	-	48 x 36 x 16	1219 x 914 x 406	14/14	4836P	46.00 x 34.00	1168 x 864	46.50 x 34.37	1181 x 873	-	-	3	5.00	127
603616-SDSS4	-	60 x 36 x 16	1524 x 914 x 406	14/14	6036P	58.00 x 34.00	1473 x 864	58.50 x 34.37	1486 x 873	-	-	3	5.00	127

Type 4X Panel Enclosures

See dimensional drawings on page 211.
* See page 212 for other panel information.

Notes: Dimensions are in inches. Millimeters shown are for reference only. Data subject to change without notice.

Type 4X Panel Enclosures

Wall-Mount Enclosures Type 4X Premier™ Series with Quarter-Turn Latches Catalog Number

Enclosure Catalog Number <small>Type 316L Stainless Steel Solid Door</small>	Enclosure Size A x B x C		Door/ Body Gauge	Steel Panel Catalog Number	Stainless Steel Panel* Catalog Number	Panel Size H x W		Mounting D x E		Latch Qty.	J	
	in.	mm				in.	mm	in.	mm		in.	mm
1084-SDSS6	10 x 8 x 4	254 x 203 x 102	16/16	108P	108PSS4	8.00 x 6.00	203 x 152	8.50 x 6.37	216 x 162	1	5.00	127
1086-SDSS6	10 x 8 x 6	254 x 203 x 152	16/16	108P	108PSS4	8.00 x 6.00	203 x 152	8.50 x 6.37	216 x 162	1	5.00	127
12106-SDSS6	12 x 10 x 6	305 x 254 x 152	16/16	1210P	1210PSS4	10.00 x 8.00	254 x 203	10.50 x 8.37	267 x 213	1	6.00	152
12126-SDSS6	12 x 12 x 6	305 x 305 x 152	16/16	1212P	1212PSS4	10.00 x 10.00	254 x 254	10.50 x 10.37	267 x 264	1	6.00	152
16126-SDSS6	16 x 12 x 6	406 x 305 x 152	16/16	1612P	1612PSS4	14.00 x 10.00	356 x 254	14.50 x 10.37	368 x 264	1	8.00	203
16166-SDSS6	16 x 16 x 6	406 x 406 x 152	16/16	1616P	1616PSS4	14.00 x 14.00	356 x 356	14.50 x 14.37	368 x 365	1	8.00	203
20166-SDSS6	20 x 16 x 6	508 x 406 x 152	16/16	2016P	2016PSS4	18.00 x 14.00	457 x 356	18.50 x 14.37	470 x 365	1	10.00	254
20206-SDSS6	20 x 20 x 6	508 x 508 x 152	16/16	2020P	2020PSS4	18.00 x 18.00	457 x 457	18.50 x 18.37	470 x 467	1	10.00	254
16128-SDSS6	16 x 12 x 8	406 x 305 x 203	16/16	1612P	1612PSS4	14.00 x 10.00	356 x 254	14.50 x 10.37	368 x 264	1	8.00	203
16168-SDSS6	16 x 16 x 8	406 x 406 x 203	16/16	1616P	1616PSS4	14.00 x 14.00	356 x 356	14.50 x 14.37	368 x 365	1	8.00	203
16208-SDSS6	16 x 20 x 8	406 x 508 x 203	16/16	2016P	2016PSS4	14.00 x 18.00	356 x 457	14.50 x 18.37	368 x 467	1	8.00	203
20168-SDSS6	20 x 16 x 8	508 x 406 x 203	16/16	2016P	2016PSS4	18.00 x 14.00	457 x 356	18.50 x 14.37	470 x 365	1	10.00	254
20208-SDSS6	20 x 20 x 8	508 x 508 x 203	16/16	2020P	2020PSS4	18.00 x 18.00	457 x 457	18.50 x 18.37	470 x 467	1	10.00	254
24168-SDSS6	24 x 16 x 8	610 x 406 x 203	16/16	2416P	2416PSS4	22.00 x 14.00	559 x 356	22.50 x 14.37	572 x 365	1	5.00	127
24208-SDSS6	24 x 20 x 8	610 x 508 x 203	16/16	2420P	2420PSS4	22.00 x 18.00	559 x 457	22.50 x 18.37	572 x 467	1	5.00	127
24248-SDSS6	24 x 24 x 8	610 x 610 x 203	14/16	2424P	2424PSS4	22.00 x 22.00	559 x 559	22.50 x 22.37	572 x 568	2	5.00	127
30248-SDSS6	30 x 24 x 8	762 x 610 x 203	14/16	3024P	3024PSS4	28.00 x 22.00	711 x 559	28.50 x 22.37	724 x 568	2	5.00	127
30308-SDSS6	30 x 30 x 8	762 x 762 x 203	14/14	3030P	3030PSS4	28.00 x 28.00	711 x 711	28.50 x 28.37	724 x 721	2	5.00	127
36248-SDSS6	36 x 24 x 8	914 x 610 x 203	14/16	3624P	3624PSS4	34.00 x 22.00	864 x 559	34.50 x 22.37	876 x 568	2	5.00	127
36308-SDSS6	36 x 30 x 8	914 x 762 x 203	14/14	3630P	3630PSS4	34.00 x 28.00	864 x 711	34.50 x 28.37	876 x 721	2	5.00	127
36368-SDSS6	36 x 36 x 8	914 x 914 x 203	14/14	3636P	3636PSS4	34.00 x 34.00	864 x 864	34.50 x 34.37	876 x 873	2	5.00	127
201610-SDSS6	20 x 16 x 10	508 x 406 x 254	14/14	2016P	2016PSS4	18.00 x 14.00	457 x 356	18.50 x 14.37	470 x 365	1	10.00	254
302010-SDSS6	30 x 20 x 10	762 x 508 x 254	14/14	3020P	3020PSS4	28.00 x 18.00	711 x 457	28.50 x 18.37	724 x 467	2	5.00	127
423010-SDSS6	42 x 30 x 10	1067 x 762 x 254	14/14	4230P	4230PSS4	40.00 x 28.00	1016 x 711	40.50 x 28.37	1029 x 721	3	5.00	127
202012-SDSS6	20 x 20 x 12	508 x 508 x 305	14/14	2020P	2020PSS4	18.00 x 18.00	457 x 457	18.50 x 18.37	470 x 467	1	10.00	254
242012-SDSS6	24 x 20 x 12	610 x 508 x 305	14/14	2420P	2420PSS4	22.00 x 18.00	559 x 457	22.50 x 18.37	572 x 467	2	5.00	127
242412-SDSS6	24 x 24 x 12	610 x 610 x 305	14/14	2424P	2424PSS4	22.00 x 22.00	559 x 559	22.50 x 22.37	572 x 568	2	5.00	127
302412-SDSS6	30 x 24 x 12	762 x 610 x 305	14/14	3024P	3024PSS4	28.00 x 22.00	711 x 559	28.50 x 22.37	724 x 568	2	5.00	127
362412-SDSS6	36 x 24 x 12	914 x 610 x 305	14/14	3624P	3624PSS4	34.00 x 22.00	864 x 559	34.50 x 22.37	876 x 568	2	5.00	127
303012-SDSS6	30 x 30 x 12	762 x 762 x 305	14/14	3030P	3030PSS4	28.00 x 28.00	711 x 711	28.50 x 28.37	724 x 724	2	5.00	127
363012-SDSS6	36 x 30 x 12	914 x 762 x 305	14/14	3630P	3630PSS4	34.00 x 28.00	864 x 711	34.50 x 28.37	876 x 721	2	5.00	127
363612-SDSS6	36 x 36 x 12	914 x 914 x 305	14/14	3636P	3636PSS4	34.00 x 34.00	864 x 864	34.50 x 34.37	876 x 873	2	5.00	127
423612-SDSS6	42 x 36 x 12	1067 x 914 x 305	14/14	4236P	4236PSS4	40.00 x 34.00	1016 x 864	40.50 x 34.37	1029 x 873	3	5.00	127
483612-SDSS6	48 x 36 x 12	1219 x 914 x 305	14/14	4836P	4836PSS4	46.00 x 34.00	1168 x 559	46.50 x 34.37	1181 x 873	3	5.00	127
603612-SDSS6	60 x 36 x 12	1524 x 914 x 305	14/14	6036P	6036PSS4	58.00 x 34.00	1473 x 559	58.50 x 34.37	1486 x 873	3	5.00	127
242416-SDSS6	24 x 24 x 16	610 x 610 x 406	14/14	2424P	2424PSS4	22.00 x 22.00	559 x 559	22.50 x 22.37	572 x 568	2	5.00	127
302416-SDSS6	30 x 24 x 16	762 x 610 x 406	14/14	3024P	3024PSS4	28.00 x 22.00	711 x 559	28.50 x 22.37	724 x 568	2	5.00	127
423616-SDSS6	42 x 36 x 16	1067 x 914 x 406	14/14	4236P	4236PSS4	40.00 x 34.00	1016 x 864	40.50 x 34.37	1029 x 873	3	5.00	127
483616-SDSS6	48 x 36 x 16	1219 x 914 x 406	14/14	4836P	4836PSS4	46.00 x 34.00	1168 x 864	46.50 x 34.37	1181 x 873	3	5.00	127
603616-SDSS6	60 x 36 x 16	1524 x 914 x 406	14/14	6036P	6036PSS4	58.00 x 34.00	1473 x 864	58.50 x 34.37	1486 x 873	3	5.00	127

See dimensional drawings on page 211.

* See page 212 for other panel information.

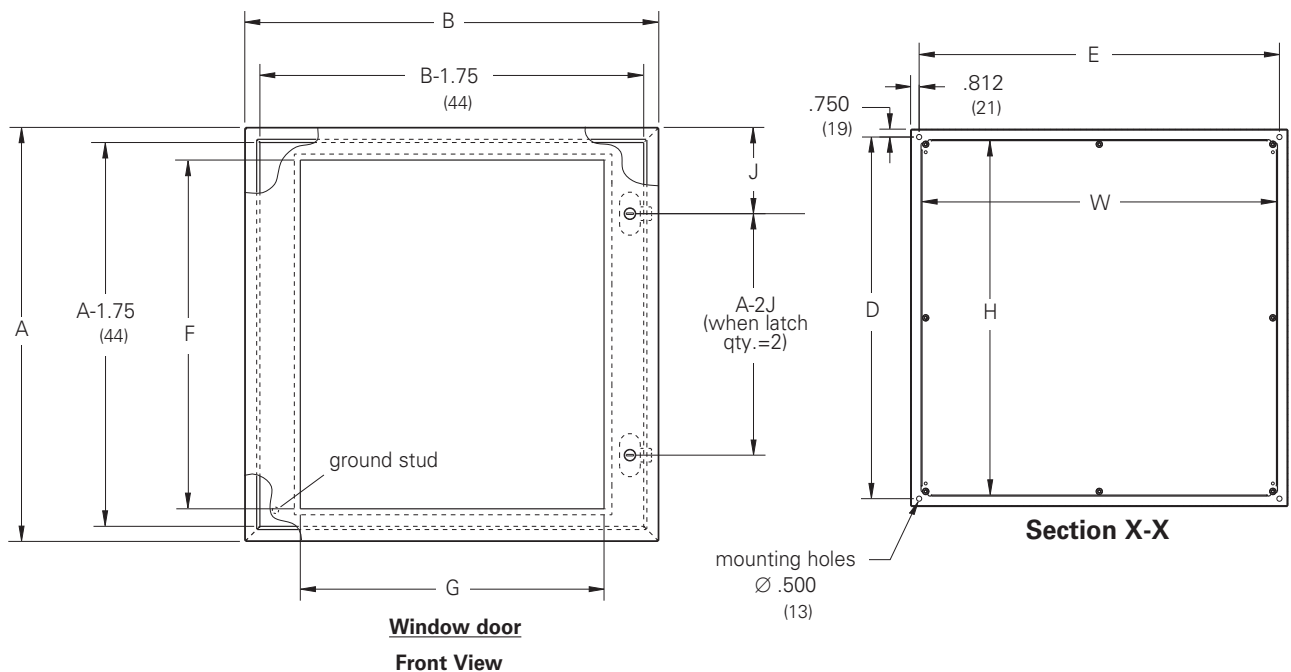
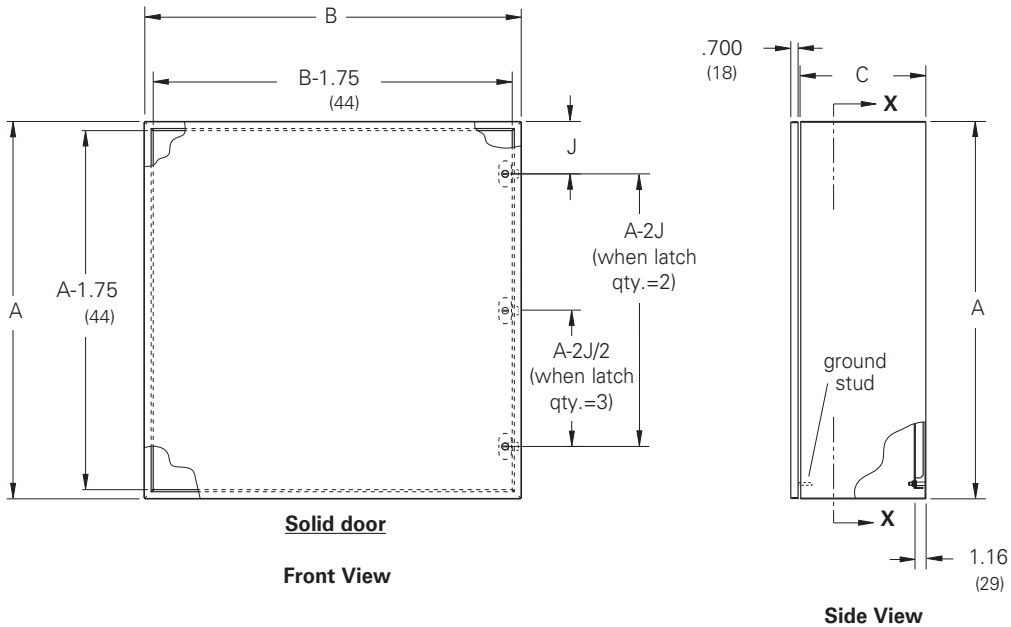
Notes: Dimensions are in inches. Millimeters shown are for reference only. Data subject to change without notice.

Wall-Mount Enclosures

Type 4X Premier™ Series, Stainless Steel With Quarter-Turn Latches

Illustration Sheet

See pages 207 & 208 for dimensions.



Type 4X Panel Enclosures

Notes: Dimensions are in inches. Millimeters shown are for reference only. Data subject to change without notice.

Type 4X Panel Enclosures

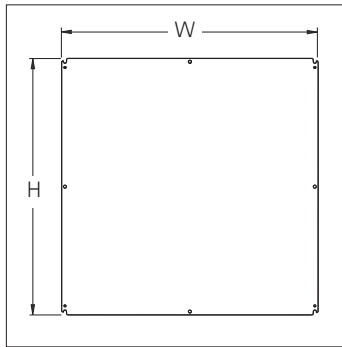
Premier™ Series Accessories

Discount Schedule: C2

Subclass: see below

Panels - Subclass: TDP

Premier panels can be installed in any Premier series enclosure and are up to 20% larger than standard NEMA panels. Panels above 24" are flanged. Steel panels have a white polyester powder paint finish. Stainless Steel and conductive galvanized sizes are available as shown in chart.



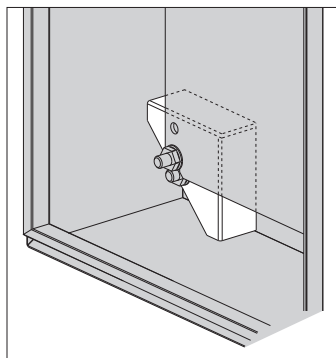
Conductive	Catalog Number		Panel Size H x W		Gauge
	Steel	Stainless	in.	mm	
108GP	108P	108PSS4	8.00 x 6.00	203 x 152	14
1210GP	1210P	1210PSS4	10.00 x 8.00	254 x 203	14
1212GP	1212P	1212PSS4	10.00 x 10.00	254 x 254	14
1612GP	1612P	1612PSS4	14.00 x 10.00	356 x 254	14
1616GP	1616P	1616PSS4	14.00 x 14.00	356 x 356	12
2016GP	2016P	2016PSS4	18.00 x 14.00	457 x 356	12
2020GP	2020P	2020PSS4	18.00 x 18.00	457 x 457	12
2416GP	2416P	2416PSS4	22.00 x 14.00	559 x 356	12
2420GP	2420P	2420PSS4	22.00 x 18.00	559 x 457	12
2424GP	2424P	2424PSS4	22.00 x 22.00	559 x 559	12
2442GP	2442P	2442PSS4	22.00 x 40.00	559 x 1016	12
3020GP	3020P	3020PSS4	28.00 x 18.00	711 x 457	12
3024GP	3024P	3024PSS4	28.00 x 22.00	711 x 559	12
3030GP	3030P	3030PSS4	28.00 x 28.00	711 x 711	12
3048GP	3048P	3048PSS4	28.00 x 46.00	711 x 1168	12
3060GP	3060P	3060PSS4	28.00 x 58.00	711 x 1473	12
3624GP	3624P	3624PSS4	34.00 x 22.00	864 x 559	12
3630GP	3630P	3630PSS4	34.00 x 28.00	864 x 711	12
3636GP	3636P	3636PSS4	34.00 x 34.00	864 x 864	12
4230GP	4230P	4230PSS4	40.00 x 28.00	1016 x 711	12
4236GP	4236P	4236PSS4	40.00 x 34.00	1016 x 864	12
4824GP	4824P	4824PSS4	46.00 x 22.00	1168 x 559	12
4836GP	4836P	4836PSS4	46.00 x 34.00	1168 x 864	12
6036GP	6036P	6036PSS4	58.00 x 34.00	1473 x 864	12

NEMA Panel Adapters - Subclass: TD0

NEMA panel adapters allow standard NEMA panels to be used in Premier series enclosures. Decreased height and width of NEMA panels increase space around panel for wire management. Kit includes four adapters and four .375-16 flanged hex nuts.

Finish: Zinc Plated

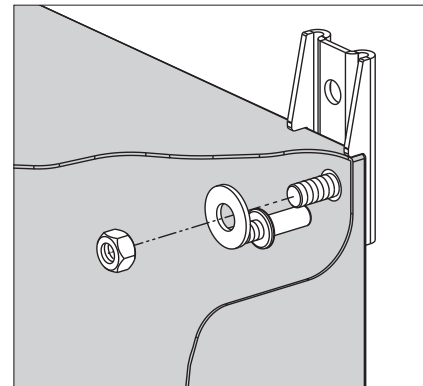
(Note: Cannot be used with enclosures 12" x 12" (305 mm x 305 mm) or smaller)



Catalog Number	Qty.	For use with Premier Enclosures
PCK4	4	30" x 30" or smaller

Mounting Foot Kits - Subclass: TD0

Mounting foot kits are available in stainless steel. Four feet and hardware are included.



Catalog Number	Qty.	Description
WMKSS6	4	Type 316 Stainless Steel

Notes: Dimensions are in inches. Millimeters shown are for reference only. Data subject to change without notice.

Premier™ Series Accessories

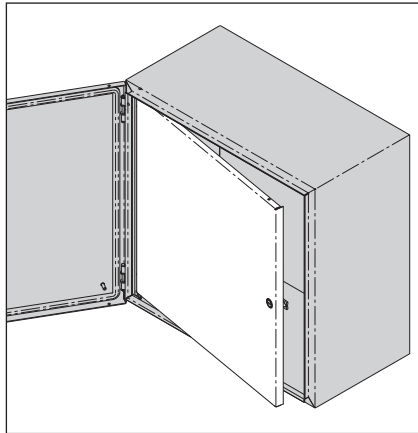
Discount Schedule: C2

Subclass: TD0

Swing-Out Panels

Swing-out panels offer a means for mounting user components and equipment near the front of an enclosure opening. Panel pivots from front of enclosure to allow easy access to internal equipment. Swing-out panels are 14 gauge with a white polyester powder finish and includes all hardware for mounting to front flange of enclosure.

(Note: Cannot be used in conjunction with depth adjustment brackets).



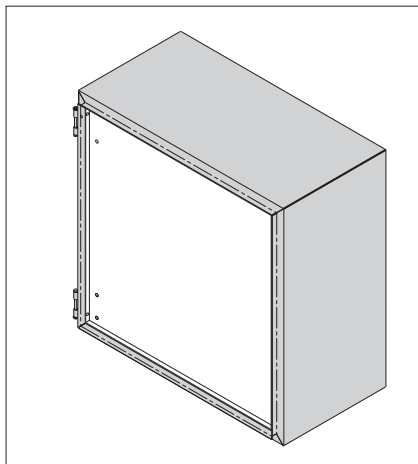
Note: Swing-out panel distance from panel face to inside of enclosure cover equals 1¹/₄".

Catalog Number	Panel Size Height x Width		For use with Premier Enclosures A x B
	in.	mm	
1212SP	9.78 x 9.84	248 x 250	12"x12"
1612SP	13.78 x 9.84	350 x 250	16"x12"
1616SP	13.78 x 13.84	350 x 352	16"x16"
1620SP	13.78 x 17.84	350 x 453	16"x20"
2016SP	17.78 x 13.84	452 x 352	20"x16"
2020SP	17.78 x 17.84	452 x 453	20"x20"
2024SP	17.78 x 21.84	452 x 555	20"x24"
2416SP	21.78 x 13.84	553 x 352	24"x16"
2420SP	21.78 x 17.84	553 x 453	24"x20"
2424SP	21.78 x 21.84	553 x 555	24"x24"
3020SP	27.78 x 17.84	706 x 453	30"x20"
3024SP	27.78 x 21.84	706 x 555	30"x24"
3030SP	27.78 x 27.84	706 x 707	30"x30"
3624SP	33.78 x 21.84	858 x 555	36"x24"
3630SP	33.78 x 27.84	858 x 707	36"x30"
3636SP	33.78 x 33.84	858 x 860	36"x36"

Dead Front Panels

Dead front kits offer a means for mounting user components and equipment near the front of an enclosure opening. Also creates a barrier and controls access to the enclosure interior. Kit includes ANSI 61 gray panel and all hardware for mounting to enclosures.

(Note: Cannot be used in conjunction with depth adjustment brackets).



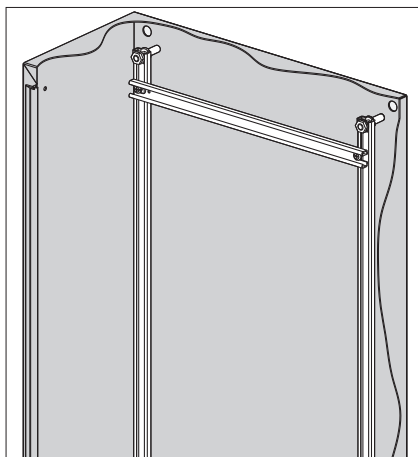
Note: Dead front panel distance from panel face to inside of enclosure cover equals 1¹/₄".

Catalog Number	For use with Premier Enclosures A x B
1212DF	12"x12"
1612DF	16"x12"
2016DF	20"x16"
2020DF	20"x20"
2420DF	24"x20"
2424DF	24"x24"
3024DF	30"x24"

Mounting Channels

Mounting channels create a vertical or horizontal framework for DIN rail, flexible mounting straps, or other component attachment. Two channels provided for mounting on enclosure collar studs.

Finish: Zinc Plated



Catalog Number	Qty.	For use with Premier Enclosures
12MC	2	12" height or width
16MC	2	16" height or width
20MC	2	20" height or width
24MC	2	24" height or width
30MC	2	30" height or width
36MC	2	36" height or width
42MC	2	42" height or width
48MC	2	48" height or width
60MC	2	60" height or width

Notes: Dimensions are in inches. Millimeters shown are for reference only. Data subject to change without notice.

Type 4X Panel Enclosures

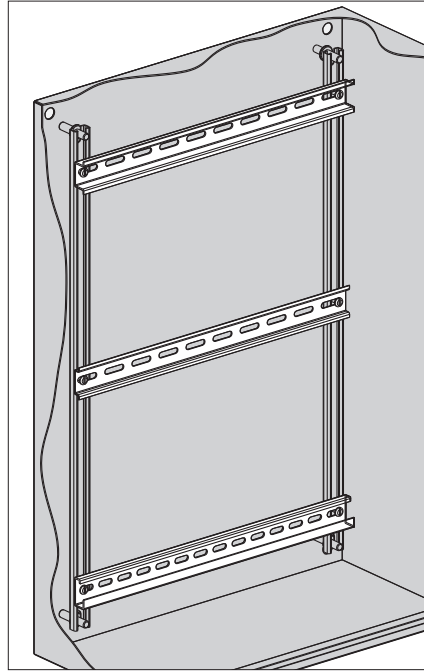
Premier™ Series Accessories

Discount Schedule: C2

Subclass: TD0

DIN Rail Kits

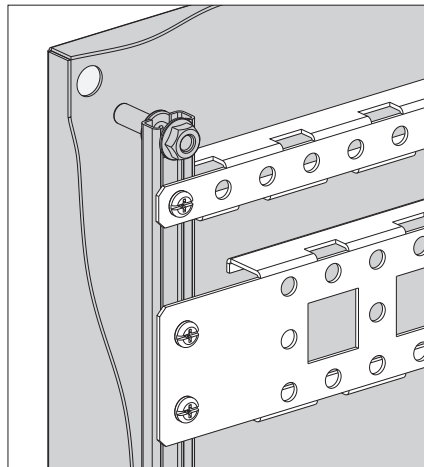
DIN rail kits provide flexibility for mounting DIN type snap-on equipment. Three styles; TS32x15, slotted; TS35x7.5, slotted; TS35x15, slotted all attach to collar studs either horizontally or vertically. Three DIN rails, screws and channel nuts are provided. Finish: Yellow Zinc



Catalog Number	Description	For use with Premier Enclosures
12DR1P	TS32 x 15, slotted	12" height or width
16DR1P	TS32 x 15, slotted	16" height or width
20DR1P	TS32 x 15, slotted	20" height or width
24DR1P	TS32 x 15, slotted	24" height or width
12DR3P	TS35 x 7.5, slotted	12" height or width
16DR3P	TS35 x 7.5, slotted	16" height or width
20DR3P	TS35 x 7.5, slotted	20" height or width
24DR3P	TS35 x 7.5, slotted	24" height or width
12DRCP	TS35 x 15, slotted	12" height or width
16DRCP	TS35 x 15, slotted	16" height or width
20DRCP	TS35 x 15, slotted	20" height or width
24DRCP	TS35 x 15, slotted	24" height or width

Flexible Mounting Straps

Flexible mounting straps offer a versatile, horizontal or vertical mounting method inside enclosure body. Two designs; 1-hole or 3-hole pattern increase mounting flexibility and attach to enclosure collar studs. Flexible mounting strap kit contains two straps and hardware. Finish: Zinc Plated



Catalog Number	Description	Fits Premier Enclosures
12GS1	1 hole	12" height or width
16GS1	1 hole	16" height or width
20GS1	1 hole	20" height or width
24GS1	1 hole	24" height or width
30GS1	1 hole	30" height or width
36GS3	3 hole	36" height or width
42GS3	3 hole	42" height or width
48GS3	3 hole	48" height or width
60GS3	3 hole	60" height or width

Notes: Dimensions are in inches. Millimeters shown are for reference only. Data subject to change without notice.

Premier™ Series Accessories

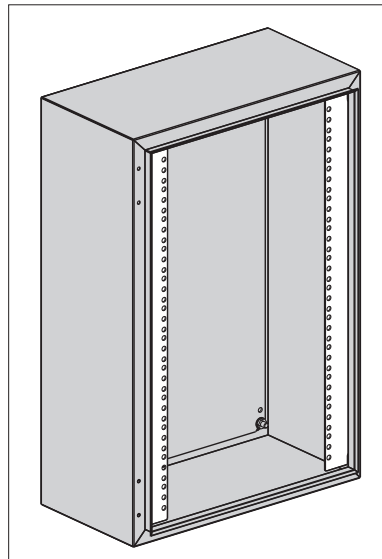
Discount Schedule: C2

Subclass: TD0

Rack Mounting Angles

Relay rack angles are designed for mounting EIA 19" rack mount equipment inside 24" wide enclosures. Fabricated from 14 gauge steel and zinc plated. Rack angles are mounted to enclosure flange with hardware provided. Rack mount angles are untapped and require screws and cage nuts for equipment mounting (order separately).

Finish: Zinc Plated



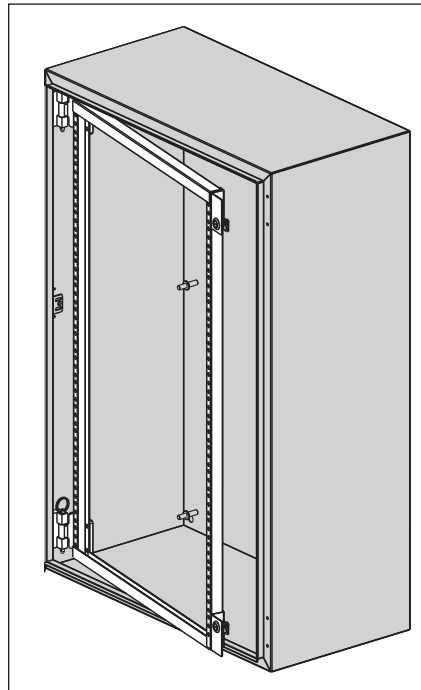
Catalog Number	For use with Premier Enclosures	Mounting Units
10URMA	20" height	10
12URMA	24" height	12
16URMA	30" height	16
19URMA	36" height	19
26URMA	48" height	26

Universal Spacing [5/8" (16mm), 5/8" (16mm), 1/2" (13mm)]

Swing-Out Rack Frames

Swing-out rack frames allow mounting of EIA 19" rack mount equipment. Flexible pivoting framework provides access to back of equipment or other internal components. Designed for use with 24" wide Premier series enclosures. Mounting hardware included. Swing-out rack frame holes are untapped and require screws and cage nuts for equipment mounting (order separately).

(Note: Cannot be used in conjunction with depth adjustment brackets).
Finish: ANSI Gray Polyester Powder



Catalog Number	For use with Premier Enclosures	Mounting Units
2424SF	24" x 24"	11
3024SF	30" x 24"	15
3624SF	36" x 24"	18

Universal Spacing [(5/8" (16mm), 5/8" (16mm), 1/2" (13mm)]

Notes: Dimensions are in inches. Millimeters shown are for reference only. Data subject to change without notice.

Type 4X Panel Enclosures

Premier™ Series Accessories

Discount Schedule: C2

Subclass: TD0

Handles

Padlocking, key-locking or non-locking handles are interchangeable with standard slotted quarter-turn flush latch on Premier series enclosures. Available keyed alike or keyed different, please specify when ordering.



Catalog Number	Description
WMHNL	Wall-mount handle, non-locking
WMHK-01	Wall-mount handle, key-locking - keyed 01
WMHK-02	Wall-mount handle, key-locking - keyed 02
WMHK-03	Wall-mount handle, key-locking - keyed 03
WMHK-04	Wall-mount handle, key-locking - keyed 04
WMHPTO	Wall-mount handle, padlockable

Security Latch Inserts

Security latch inserts interchange with slotted quarter-turn flush latch and provide security and control access to interior of enclosure. Inserts include matching key.



7MTLK



7MSLK



3MDBLK

Catalog Number	Description
7MTLK	7mm triangular latch insert
7MSLK	7mm square latch insert
3MDBLK	3mm double bit latch insert

Print Pockets

Print pockets provide a convenient place to store operation manuals, diagrams, or other documents inside the enclosure. Thermoplastic pockets are gray and have cut away areas for viewing contents. Pockets have adhesive backing for mounting inside on enclosure door.



Catalog Number	Length x Width
32170	6" x 6"
32171	10" x 10"

Notes: Dimensions are in inches. Millimeters shown are for reference only. Data subject to change without notice.

Premier™ Series Accessories

Discount Schedule: C2

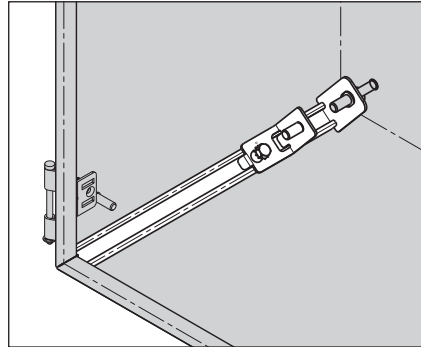
Subclass: TD0

Depth Adjustment Brackets

Depth adjustment brackets allow variable depth mounting of premier accessories. Designed for use with 6", 8" or 12" deep enclosures. Kit is available in quantities of 4 or 2 and includes mounting channel, adjustable mechanism and hardware. When enclosure has 6 collar studs, use two kits.

(**Note:** Not for use with swing-out rack frame, dead front panel or swing-out panel).

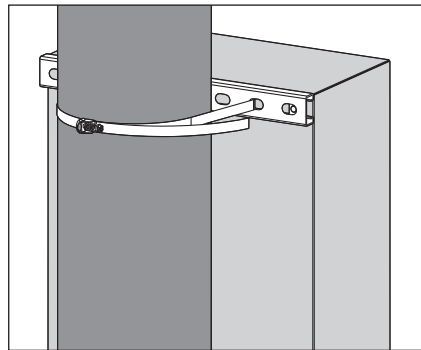
Finish: Zinc Plated



Catalog Number	Qty.	For use with Premier Enclosures
64AMK	4	6" depth or greater
84AMK	4	8" depth or greater
82AMK	2	8" depth or greater
124AMK	4	12" depth or greater
122AMK	2	12" depth or greater

Pole Mounting Kits

Pole mounting kits allow installation of enclosure on round or rectangular poles. Kit includes hot dip galvanized after fabrication strut channel, stainless steel band and hardware for top and bottom mounting of enclosure.



Note: Pole diameter range 4" minimum to 12" maximum.

Catalog Number	For use with Premier Enclosures
12PMK	12" width
16PMK	16" width
20PMK	20" width
24PMK	24" width
30PMK	30" width

Hardware

Phillips head screws and cage nuts are available in #10-32, #12-24 or M6 and allow mounting of equipment to untapped holes in rack mounting angles and swing-out rack frame.



Catalog Number	Screw Type
E2-MA-1032-PHMS-100	#10-32 Phillips
E2-MA-1224-PHMS-100	#12-24 Phillips
E2-MA-M6-PHMS-100	M6 Phillips

Catalog Number	Cage Nut Type
E2-MA-CN-1032-100	#10-32 Tapped
E2-MA-CN-1224-100	#12-24 Tapped
E2-MA-CN-M6-100	M6 Tapped

Sold in bags of 100 pieces.

Notes: Dimensions are in inches. Millimeters shown are for reference only. Data subject to change without notice.

Type 4X Panel Enclosures

Wall-Mount Enclosures Type 4X Single-Door with 3-Point Locking Data Sheet and Catalog Number



Application

- Houses electrical controls and instruments
- Intended for indoor or outdoor use where a corrosive environment exists
- Protects against windblown dust and rain, splashing water and hose directed water

Standards

- UL 508A Listed, Type 3R, 4, 4X, 12
- CSA C22.2 No.94 certified, Type 3R, 4, 4X, 12
- Conforms to NEMA Standards for Type 3, 3R, 4, 4X, 12

Finish

- Door and sides of body have a smooth #4 brushed finish

Accessories

- Panels
- Swing-out panel kits
- NEMA terminal kits
- Window kits
- Floor stand kit
- Replacement handle, BD-PKHSS, see page 429

Construction

- Enclosure and door are fabricated from (14) gauge stainless steel
- All continuous welded seams are finished smooth
- Stainless Steel continuous hinge and pin
- Internal 3-point latching with a stainless padlocking handle
- Door has a seamless poured in-place gasket
- Formed lip around enclosure opening diverts liquids and contaminants
- Ground stud provided on door and body
- Print pocket provided
- .375-16 colar studs are provided for mounting optional panel
- External mounting feet

Discount Schedule: C2

Subclass: DG3

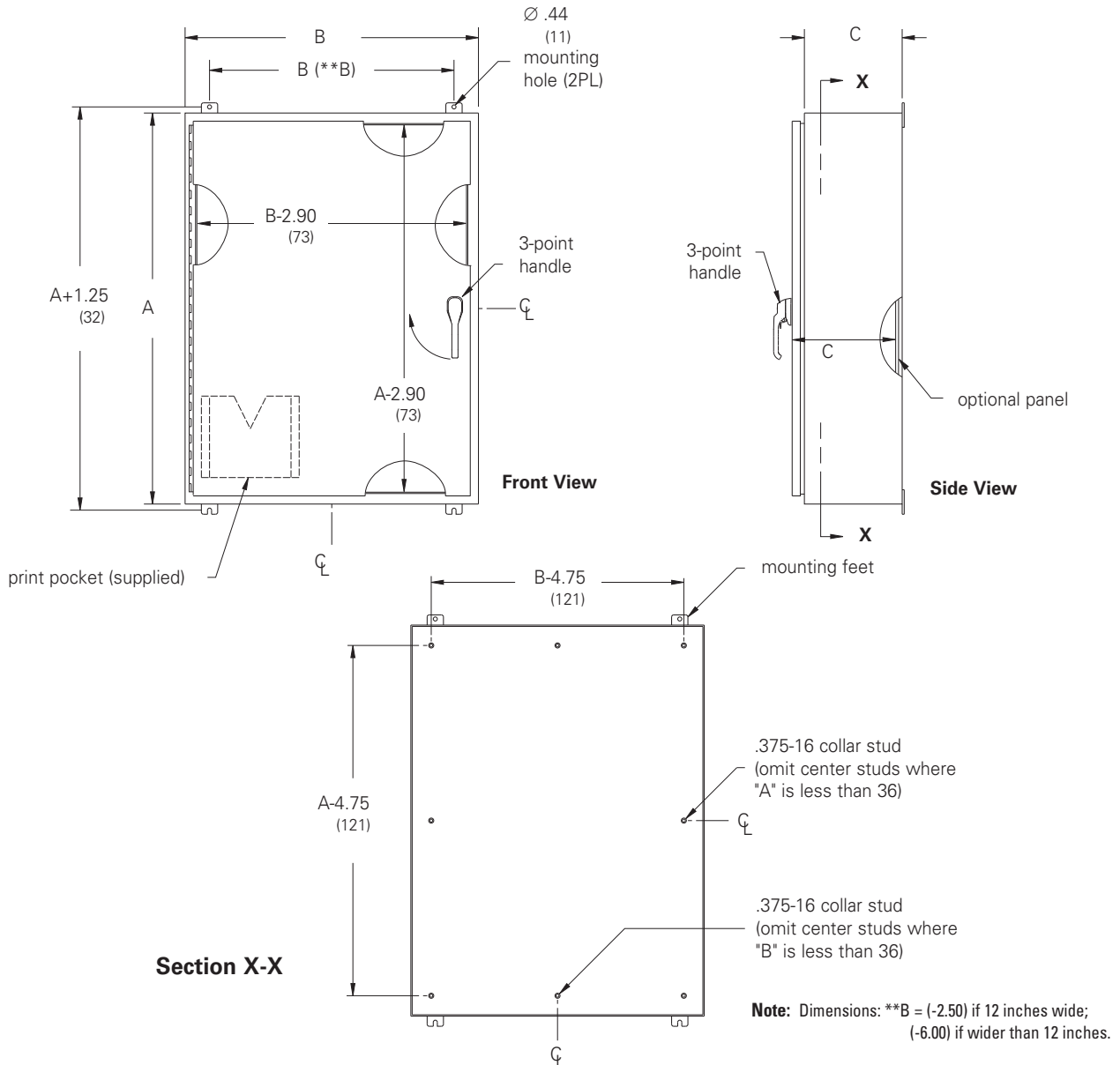
Enclosure		Enclosure Size Height x Width x Depth A x B x C		Panel	Conductive Panel	Panel Size	
Type 304 Catalog Number	Type 316L Catalog Number	in.	mm	Catalog Number	Catalog Number	Height in.	Width mm
24206-4XS3PT	24206-4XSS63PT	24 x 20 x 6	609 x 508 x 152	AW2420P	AW2420GP	20.87 x 16.87	530 x 428
24208-4XS3PT	24208-4XSS63PT	24 x 20 x 8	609 x 508 x 203	AW2420P	AW2420GP	20.87 x 16.87	530 x 428
24248-4XS3PT	24248-4XSS63PT	24 x 24 x 8	609 x 609 x 203	AW2424P	AW2424GP	20.87 x 20.87	530 x 530
30248-4XS3PT	30248-4XSS63PT	30 x 24 x 8	762 x 609 x 203	AW3024P	AW3024GP	26.87 x 20.87	682 x 530
30308-4XS3PT	30308-4XSS63PT	30 x 30 x 8	762 x 762 x 203	AW3030P	AW3030GP	26.87 x 26.87	682 x 682
36248-4XS3PT	36248-4XSS63PT	36 x 24 x 8	914 x 609 x 203	AW3624P	AW3624GP	32.87 x 20.87	835 x 530
36308-4XS3PT	36308-4XSS63PT	36 x 30 x 8	914 x 762 x 203	AW3630P	AW3630GP	32.87 x 26.87	835 x 682
48368-4XS3PT	48368-4XSS63PT	48 x 36 x 8	1219 x 914 x 203	AW4836P	AW4836GP	44.87 x 32.87	1139 x 835
242010-4XS3PT	242010-4XSS63PT	24 x 20 x 10	609 x 508 x 254	AW2420P	AW2420GP	20.87 x 16.87	530 x 428
363010-4XS3PT	363010-4XSS63PT	36 x 30 x 10	914 x 762 x 254	AW3630P	AW3630GP	32.87 x 26.87	835 x 682
423010-4XS3PT	423010-4XSS63PT	42 x 30 x 10	1067 x 762 x 254	AW4230P	AW4230GP	38.87 x 26.87	987 x 682
483610-4XS3PT	483610-4XSS63PT	48 x 36 x 10	1219 x 914 x 254	AW4836P	AW4836GP	44.87 x 32.87	1139 x 835

Continued on following page

Notes: We can provide special sizes, finishes and other modifications. Consult the factory for your special requirements.

Wall-Mount Enclosures Type 4X Single-Door with 3-Point Locking Illustration Sheet and Catalog Number

Enclosure		Enclosure Size Height x Width x Depth A x B x C		Panel	Conductive Panel	Panel Size	
Type 304 Catalog Number	Type 316L Catalog Number	in.	mm	Catalog Number	Catalog Number	Height x Width in.	mm
242412-4XS3PT	242412-4XSS63PT	24 x 24 x 12	609 x 609 x 305	AW2424P	AW2424GP	20.87 x 20.87	530 x 530
302412-4XS3PT	302412-4XSS63PT	30 x 24 x 12	762 x 609 x 305	AW3024P	AW3024GP	26.87 x 20.87	682 x 530
363012-4XS3PT	363012-4XSS63PT	36 x 30 x 12	914 x 762 x 305	AW3630P	AW3630GP	32.87 x 26.87	835 x 682
363612-4XS3PT	363612-4XSS63PT	36 x 36 x 12	914 x 914 x 305	AW3636P	AW3636GP	32.87 x 32.87	835 x 835
423612-4XS3PT	423612-4XSS63PT	42 x 36 x 12	1067 x 914 x 305	AW4236P	AW4236GP	38.87 x 32.87	987 x 835
483612-4XS3PT	483612-4XSS63PT	48 x 36 x 12	1219 x 914 x 305	AW4836P	AW4836GP	44.87 x 32.87	1139 x 835
603612-4XS3PT	603612-4XSS63PT	60 x 36 x 12	1524 x 914 x 305	AW6036P	AW6036GP	56.87 x 32.87	1444 x 835
483616-4XS3PT	483616-4XSS63PT	48 x 36 x 16	1219 x 914 x 406	AW4836P	AW4836GP	44.87 x 32.87	1139 x 835
603616-4XS3PT	603616-4XSS63PT	60 x 36 x 16	1524 x 914 x 406	AW6036P	AW6036GP	56.87 x 32.87	1444 x 835



Notes: Dimensions are in inches. Millimeters shown are for reference only. Data subject to change without notice.

Type 4X Panel Enclosures

Wall-Mount Enclosures Type 4X Double-Door with 3-Point Locking Data Sheet and Catalog Number



Application

- Houses electrical controls and instruments
- Intended for indoor or outdoor use where a corrosive environment exists
- Protects against corrosion, windblown dust and rain, splashing water and hose directed water

Standards

- UL 508A Listed, Type 3R, 4, 4X, 12
- CSA C22.2 No.94 certified, Type 3R, 4, 4X, 12
- Conforms to NEMA Standards for Type 3, 3R, 4, 4X, 12

Finish

- Door and sides of body have a smooth #4 brushed finish

Accessories

- Panels
- Swing-out panel kits
- Window kits
- Floor stand kit
- Lights
- Replacement handle, BD-PKHSS, see page 429

Construction

- Enclosure and cover are fabricated from (14) Gauge Stainless Steel
- All continuous welded seams are finished smooth
- Stainless steel continuous hinge and pin
- Internal 3-point latching with stainless padlocking handles
- Removable centerpost for easy panel installation
- Doors have a seamless poured in-place gasket
- Formed lip around enclosure opening diverts liquids and contaminants
- Ground stud provided on doors and body
- Print pocket provided
- .375-16 colar studs are provided for mounting optional panel
- External mounting feet

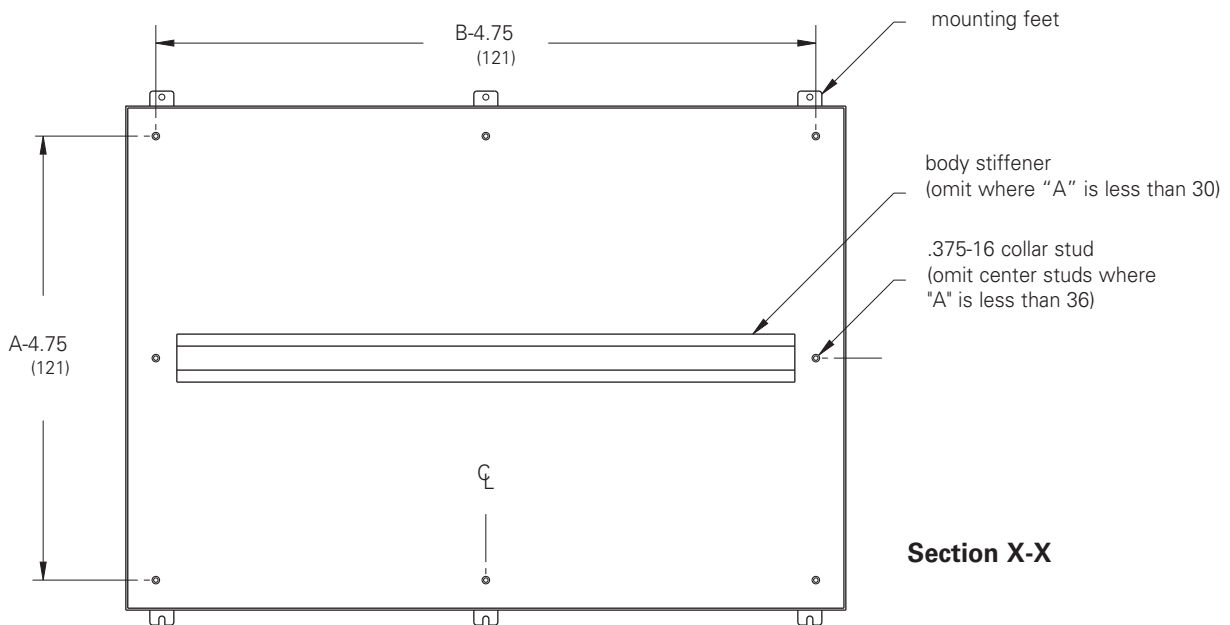
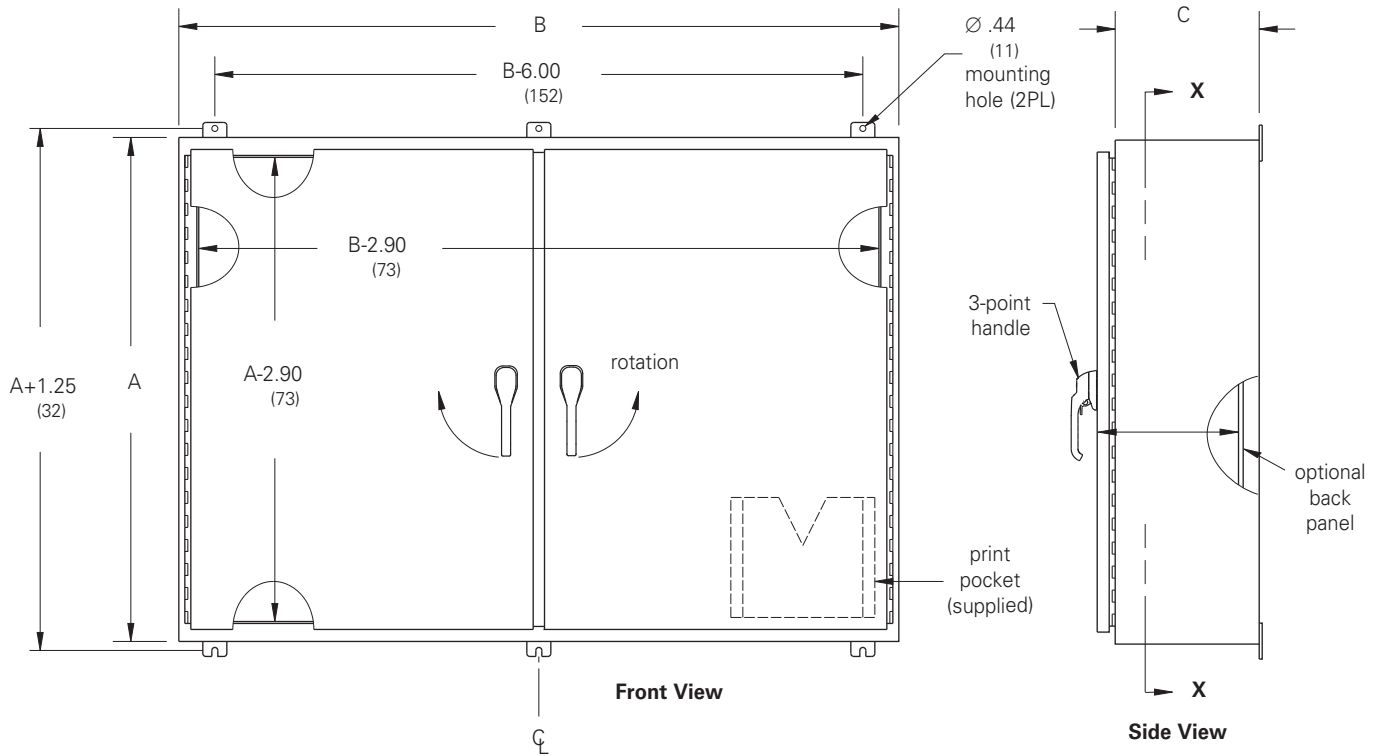
Discount Schedule: C2

Subclass: DG3

Enclosure Catalog Number	Enclosure Size Height x Width x Depth A x B x C		Panel Catalog Number	Conductive Panel Catalog Number	Panel Size Height x Width	
	in.	mm			in.	mm
24428-4XSD3PT	24 x 42 x 8	609 x 1067 x 203	AW4224P	--	38.87 x 20.87	987 x 530
24488-4XSD3PT	24 x 48 x 8	609 x 1219 x 203	AW4824P	--	44.87 x 20.87	1139 x 530
304210-4XSD3PT	30 x 42 x 10	762 x 1067 x 254	AW4230P	AW4230GP	38.87 x 26.87	987 x 682
304810-4XSD3PT	30 x 48 x 10	762 x 1219 x 254	AW4830P	AW4830GP	44.87 x 26.87	1139 x 682
306010-4XSD3PT	30 x 60 x 10	762 x 1524 x 254	AW6030P	--	56.87 x 26.87	1444 x 682
364212-4XSD3PT	36 x 42 x 12	914 x 1067 x 305	AW4236P	AW4236GP	38.87 x 32.87	987 x 835
364812-4XSD3PT	36 x 48 x 12	914 x 1219 x 305	AW4836P	AW4836GP	44.87 x 32.87	1139 x 835
366012-4XSD3PT	36 x 60 x 12	914 x 1524 x 305	AW6036P	AW6036GP	56.87 x 32.87	1444 x 835
424212-4XSD3PT	42 x 42 x 12	1067 x 1067 x 305	AW4242P	--	38.87 x 38.87	987 x 987
424812-4XSD3PT	42 x 48 x 12	1067 x 1219 x 305	AW4842P	AW4842GP	44.87 x 38.87	1139 x 987
426012-4XSD3PT	42 x 60 x 12	1067 x 1524 x 305	AW6042P	--	56.87 x 38.87	1444 x 987
484812-4XSD3PT	48 x 48 x 12	1219 x 1219 x 305	AW4848P	--	44.87 x 44.87	1139 x 1139

Notes: We can provide special sizes, finishes and other modifications. Consult the factory for your special requirements.

Wall-Mount Enclosures Type 4X Double-Door with 3-Point Locking Illustration Sheet



Notes: Dimensions are in inches. Millimeters shown are for reference only. Data subject to change without notice.

Type 4X Panel Enclosures

Ground-Mount Enclosures Type 4X Double-Door Floor-Standing Data Sheet and Catalog Number



Application

- Houses electrical controls and instruments
- Intended for indoor or outdoor use where a corrosive environment exists
- Protects against corrosion, windblown dust and rain, splashing water and hose directed water

Standards

- UL 508A listed, Type 4, Type 4X, and Type 12
- CSA C22.2 No.94 certified, Type 4, Type 4X, and Type 12
- Conforms to NEMA standard for Type 4, Type 4X, and Type 12

Finish

- Doors and sides of body have a smooth #4 brushed finish

Accessories

- Panels
- Leg stabilizer kit
- See Accessories section

Construction

- Enclosure and door are fabricated from (12) gauge, Type 304 or Type 316L stainless steel
- All continuous welded seams are finished smooth
- Doors are secured to the body with removable concealed stainless hinges and easy to remove stainless steel door clamps on three (3) sides
- Modern bevel profile on hinge side of enclosure doors
- Print pocket provided
- Each door has a padlock hasp with sealing hole provision
- Doors have a seamless, poured in-place gasket
- Ground stud provided on doors and body
- Removable center post for complete front access
- Heavy gauge angle supports and .375-16 collar studs are provided for mounting optional panel
- Large lifting eyebolts are supplied
- Hole seals are provided to seal enclosure after removal of lifting eyebolts
- Mounting legs are provided for floor mounting

Discount Schedule: C2

**Subclass: DJ0 (Type 304)
TU0 (Type 316L)**

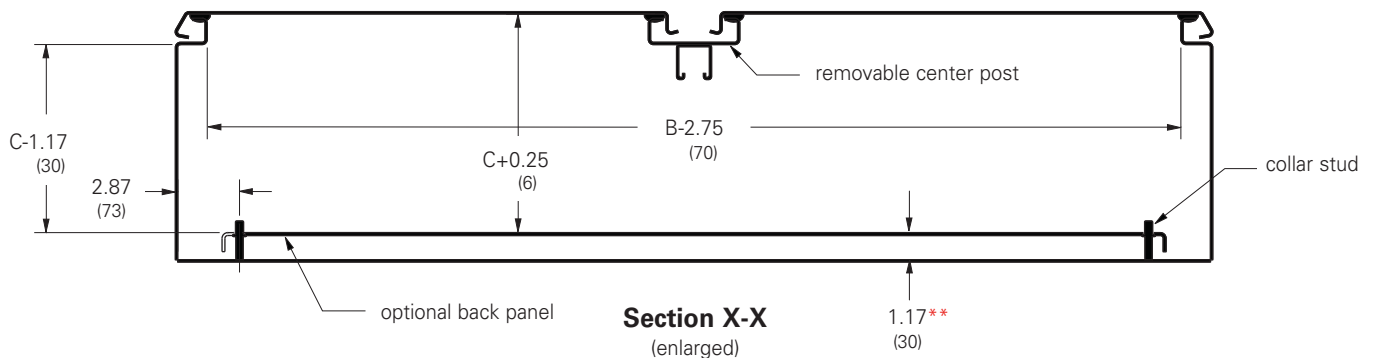
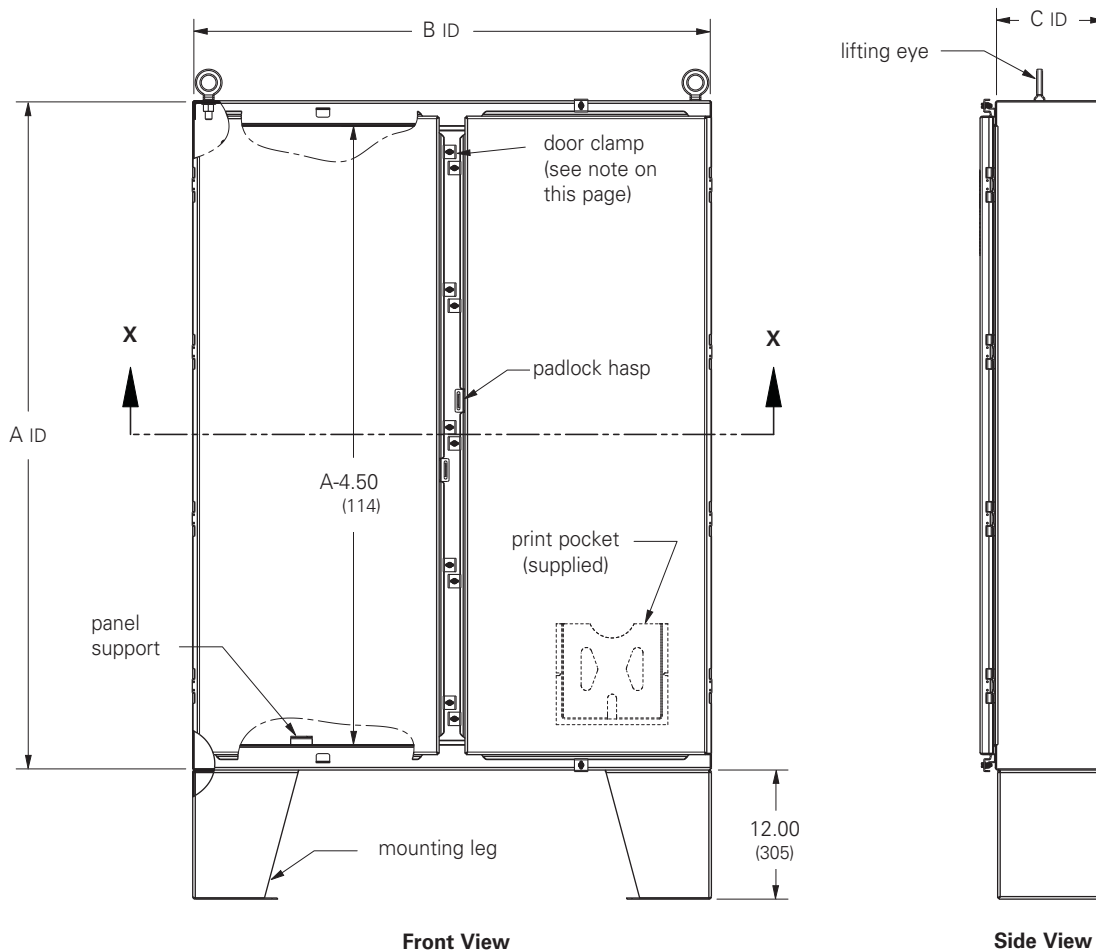
Type 4X Panel Enclosures

Enclosure Catalog Number Stainless Steel		Enclosure Size Height x Width x Depth A x B x C		Panel Catalog Number	Panel Size Height x Width	
Type 304	Type 316L	in.	mm	Steel	in.	mm
624810-4XSFD	624810-4XSS6FD	62.00 x 48.00 x 10.00	1575 x 1219 x 254	AW6048P	55.87 x 43.87	1419 x 1114
624812-4XSFD	624812-4XSS6FD	62.00 x 48.00 x 12.00	1575 x 1219 x 305	AW6048P	55.87 x 43.87	1419 x 1114
626012-4XSFD	626012-4XSS6FD	62.00 x 60.00 x 12.00	1575 x 1524 x 305	AW6060P	55.87 x 55.87	1419 x 1419
746012-4XSFD	746012-4XSS6FD	74.00 x 60.00 x 12.00	1880 x 1524 x 305	AW7260P	67.87 x 55.87	1724 x 1419
747212-4XSFD	747212-4XSS6FD	74.00 x 72.00 x 12.00	1880 x 1829 x 305	AW7272P	67.87 x 67.87	1724 x 1724
747224-4XSFD	747224-4XSS6FD	74.00 x 72.00 x 24.00	1880 x 1829 x 610	AW7272P	67.87 x 67.87	1724 x 1724

Notes: We can provide special sizes, finishes and other modifications. Consult the factory for your special requirements. Dimensions are in inches. Millimeters shown are for reference only. Data subject to change without notice.

Ground-Mount Enclosures Type 4X Double-Door Floor-Standing Illustration Sheet

ID = Inside Dimension



** From top of panel stud flange to inside of enclosure

Notes: Clamps are mounted along three sides of the enclosure door. Spacing between clamps along side opposite the hinge does not exceed 15 inches. Four lifting eyes are furnished when C dimension is 24" (609 mm). Dimensions are in inches. Millimeters shown are for reference only. Data subject to change without notice.

Type 4X Panel Enclosures

Ground-Mount Enclosures

Type 4X Double-Door Floor-Standing with Quarter-Turn Latches

Data Sheet and Catalog Number



Application

- Houses electrical controls and instruments
- Intended for indoor or outdoor use where a corrosive environment exists
- Protects against corrosion, windblown dust and rain, splashing water and hose directed water

Standards

- UL 508A listed, Type Type 3R, 4, Type 4X, Type 12
- CSA C22.2 No.94 certified, Type 3R, Type 4, Type 4X, Type 12
- Conforms to NEMA standard for Type 3, Type 3R, Type 4, Type 4X, Type 12

Finish

- Door and sides of body have a smooth #4 brushed finish

Accessories

- Panels
- Panel Support Kit
- Panel Lifting Kit
- Leg stabilizer kit
- Lights
- Window kits

Construction

- Enclosure body (12) gauge and doors (14) gauge are fabricated from Type 304 stainless steel
- All continuous welded seams are finished smooth
- Doors are secured to the body with removable concealed stainless hinges and quarter-turn flush latches on three (3) sides
- Modern bevel profile on both sides of enclosure doors
- Doors have a seamless poured in-place gasket
- Removable centerpost for easy panel installation
- Formed lip around enclosure opening diverts liquids and contaminants
- Ground stud provided on doors and body
- Print pocket provided
- Heavy gauge angle supports and .375-16 collar studs are provided for mounting optional panel
- Large lifting eyebolts
- Hole seals are provided to seal enclosure after removal of lifting eyebolts
- Mounting legs

Discount Schedule: C2

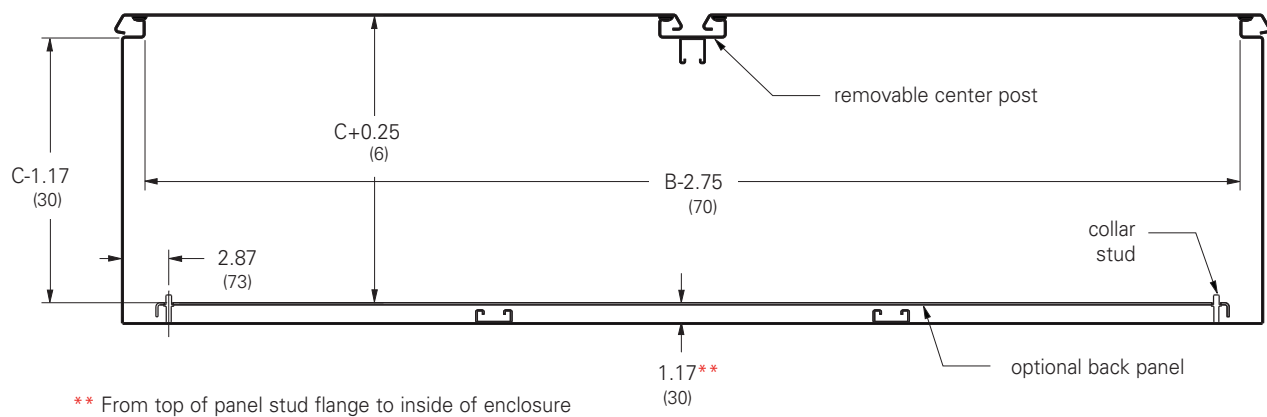
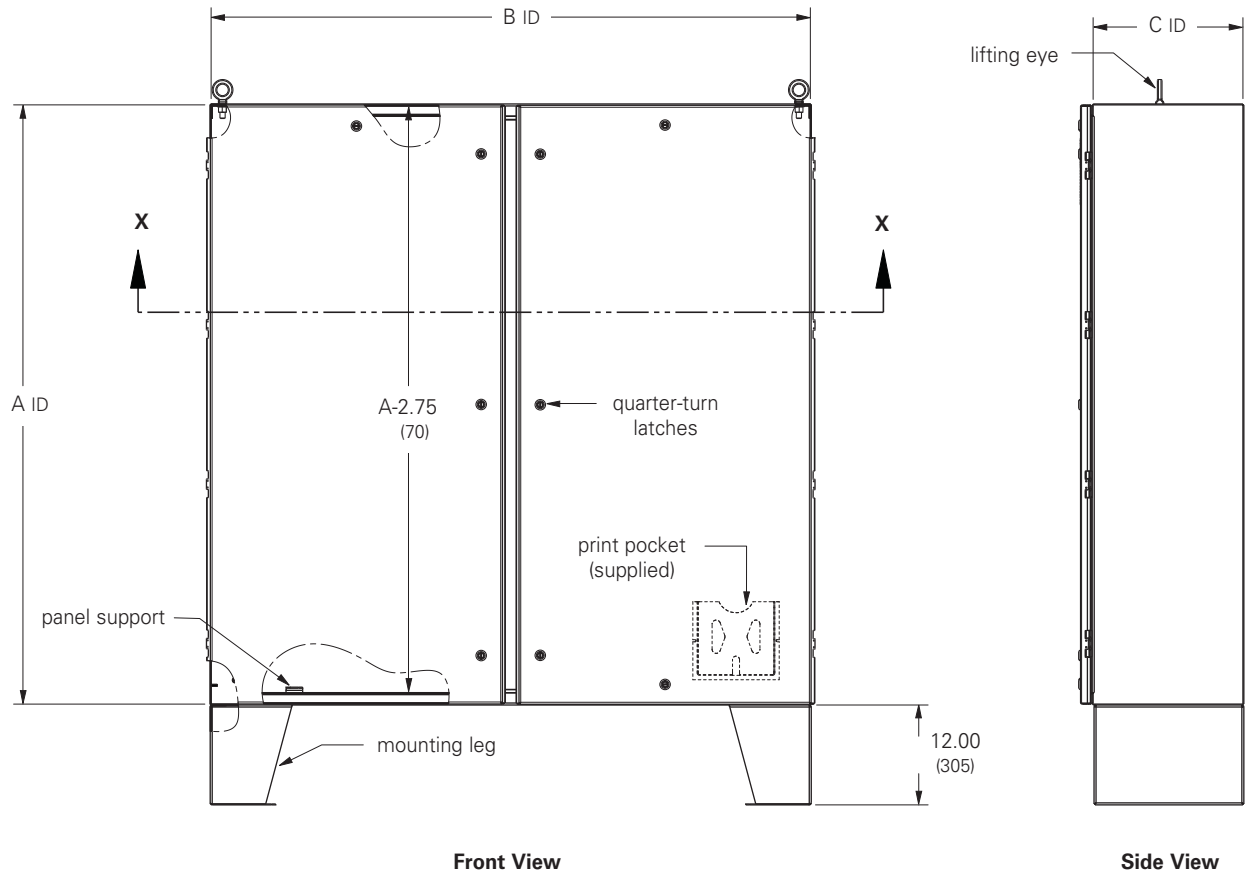
Subclass: DJ2

Enclosure Catalog Number	Enclosure Size Height x Width x Depth A x B x C		Panel Catalog Number Steel	Panel Size Height x Width	
	in.	mm		in.	mm
604812-4XSFQQT	60.00 x 48.00 x 12.00	1524 x 1219 x 305	AW6048P	55.87 x 43.87	1419 x 1114
606012-4XSFQQT	60.00 x 60.00 x 12.00	1524 x 1524 x 305	AW6060P	55.87 x 55.87	1419 x 1419
726012-4XSFQQT	72.00 x 60.00 x 12.00	1829 x 1524 x 305	AW7260P	67.87 x 55.87	1724 x 1419
727212-4XSFQQT	72.00 x 72.00 x 12.00	1829 x 1829 x 305	AW7272P	67.87 x 67.87	1724 x 1724
604818-4XSFQQT	60.00 x 48.00 x 18.00	1524 x 1219 x 457	AW6048P	55.87 x 43.87	1419 x 1114
606018-4XSFQQT	60.00 x 60.00 x 18.00	1524 x 1524 x 457	AW6060P	55.87 x 55.87	1419 x 1419
726018-4XSFQQT	72.00 x 60.00 x 18.00	1829 x 1524 x 457	AW7260P	67.87 x 55.87	1724 x 1419
727218-4XSFQQT	72.00 x 72.00 x 18.00	1829 x 1829 x 457	AW7272P	67.87 x 67.87	1724 x 1724
727224-4XSFQQT	72.00 x 72.00 x 24.00	1829 x 1829 x 609	AW7272P	67.87 x 67.87	1724 x 1724

Notes: We can provide special sizes, finishes and other modifications. Consult the factory for your special requirements. Dimensions are in inches. Millimeters shown are for reference only. Data subject to change without notice.

Ground-Mount Enclosures Type 4X Double-Door Floor-Standing with Quarter-Turn Latches Illustration Sheet

ID = Inside Dimension



Notes: Four lifting eyes are furnished when C dimension is 24" (609 mm).
Dimensions are in inches. Millimeters shown are for reference only. Data subject to change without notice.

Type 4X Panel Enclosures

Ground-Mount Enclosures Type 4X Double-Door Floor-Standing with 3-Point Locking Data Sheet and Catalog Number



Application

- Houses electrical controls and instruments
- Intended for indoor or outdoor use where a corrosive environment exists
- Protects against corrosion, windblown dust and rain, splashing water and hose directed water

Standards

- UL 508A listed, Type 3R, Type 4, Type 4X, Type 12
- CSA C22.2 No.94 certified, Type 3R, Type 4, Type 4X, Type 12
- Conforms to NEMA standard for Type 3, Type 3R, Type 4, Type 4X, Type 12

Finish

- Door and sides of body have a smooth #4 brushed finish

Accessories

- Panels
- Panel Support Kit
- Panel Lifting Kit
- Leg stabilizer kit
- Lights
- Window kits
- See page 429 for replacement handles
black handle for Type 304 enclosure, BD-PKHB
stainless steel handle for Type 316L enclosure, BD-PKHSS

Construction

- Enclosure and doors are fabricated from (12) gauge Type 304 or Type 316L stainless steel
- All continuous welded seams are finished smooth
- Doors are secured to the body with removable concealed stainless hinges and a center locating 3-point key-locking and padlock black handle mechanism
- Modern bevel profile on both sides of enclosure doors
- Stainless handles provided on 316L stainless steel enclosures
- Additional quarter-turn latches provided top and bottom on all enclosure doors
- Doors have a seamless poured in-place gasket
- Removable centerpost for easy panel installation
- Formed lip around enclosure opening diverts liquids and contaminants
- Ground stud provided on doors and body
- Print pocket provided
- Heavy gauge angle supports and .375-16 collar studs are provided for mounting optional panel
- Large lifting eyebolts
- Hole seals are provided to seal enclosure after removal of lifting eyebolts
- Mounting legs

Discount Schedule: C2

Subclass: DJ3

Enclosure Catalog Number Stainless Steel		Enclosure Size Height x Width x Depth A x B x C		Panel Catalog Number	Panel Size Height x Width	
Type 304 *	Type 316L **	in.	mm	Steel	in.	mm
624812-4XSF3PT	624812-4XSS6FD3PT	62.00 x 48.00 x 12.00	1575 x 1219 x 305	AW6048P	55.87 x 43.87	1419 x 1114
626012-4XSF3PT	626012-4XSS6FD3PT	62.00 x 60.00 x 12.00	1575 x 1524 x 305	AW6060P	55.87 x 55.87	1419 x 1419
746012-4XSF3PT	746012-4XSS6FD3PT	74.00 x 60.00 x 12.00	1879 x 1524 x 305	AW7260P	67.87 x 55.87	1724 x 1419
747212-4XSF3PT	747212-4XSS6FD3PT	74.00 x 72.00 x 12.00	1879 x 1829 x 305	AW7272P	67.87 x 67.87	1724 x 1724
624818-4XSF3PT	624818-4XSS6FD3PT	62.00 x 48.00 x 18.00	1575 x 1219 x 457	AW6048P	55.87 x 43.87	1419 x 1114
747224-4XSF3PT	747224-4XSS6FD3PT	74.00 x 72.00 x 24.00	1879 x 1829 x 609	AW7272P	67.87 x 67.87	1724 x 1724

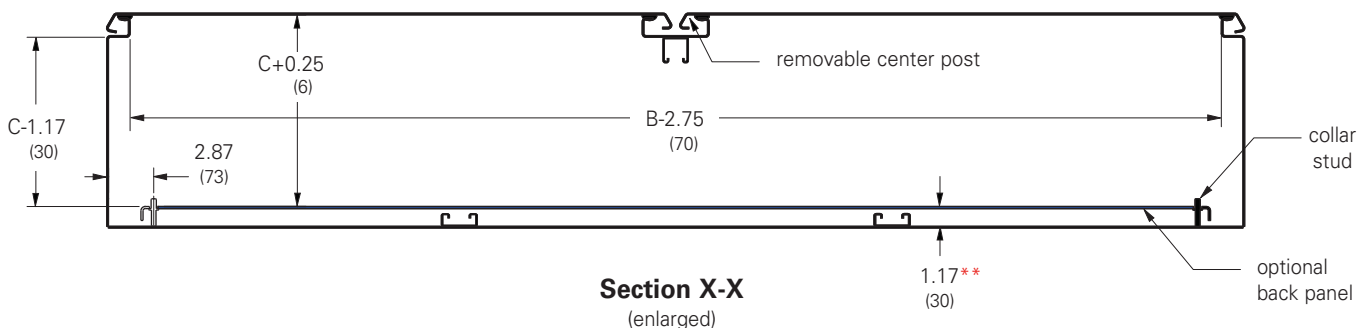
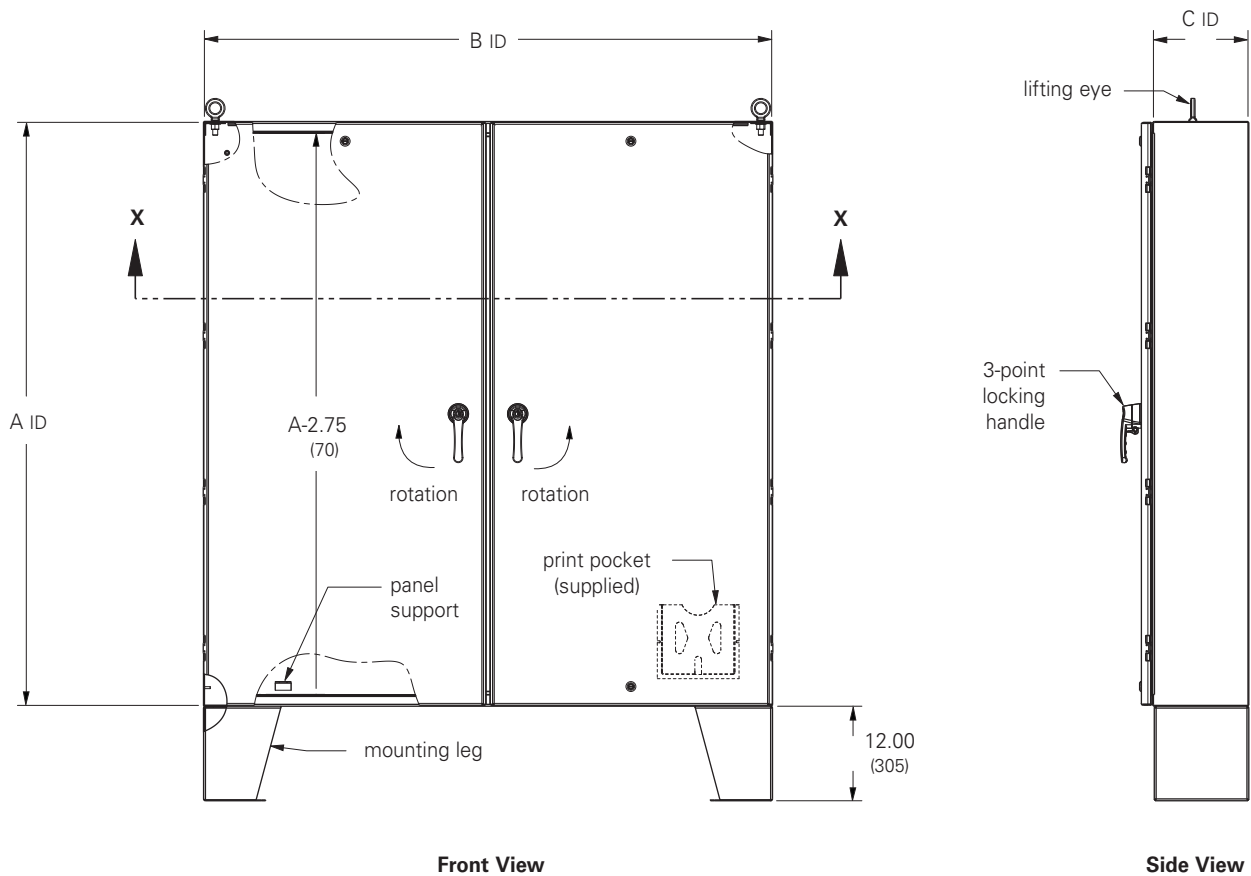
* Type 304 enclosures come with black handles ** Type 316L enclosures come with stainless steel handle

Notes: We can provide special sizes, finishes and other modifications. Consult the factory for your special requirements.
Dimensions are in inches. Millimeters shown are for reference only. Data subject to change without notice.

Type 4X Panel Enclosures

Ground-Mount Enclosures Type 4X Double-Door Floor-Standing with 3-Point Locking Illustration Sheet

ID = Inside Dimension



** From top of panel stud flange to inside of enclosure

Notes: Four lifting eyes are furnished when C dimension is 24" (609 mm).
Dimensions are in inches. Millimeters shown are for reference only. Data subject to change without notice.
Additional quarter-turn latch provided on top and bottom of all enclosures.

Type 4X Panel Enclosures

Ground-Mount Enclosures Type 4X Single-Door Free-Standing Data Sheet



Application

- Houses electrical controls and instruments
- Easy access fixed or swing panels for mounting optional equipment
- Intended for indoor or outdoor use
- Protects against corrosion, windblown dust and rain, splashing water and hose directed water

Standards

- UL 508A listed, Type 4, Type 4X, and Type 12
- CSA C22.2 No.94 certified, Type 4, Type 4X, and Type 12
- Conforms to NEMA standard for Type 4, Type 4X, and Type 12
- E.I.A. RS-310-D

Finish

- Door and sides of body have a smooth #4 brushed finish

Accessories

- Full and half panels
- Side and swing panels
- Channel mounting hardware
- Equipment rack mounts
- Touch-up paint
- See Accessories section

Construction

- Enclosure and door are fabricated from (12) gauge, Type 304 or Type 316L stainless steel
- All continuous welded seams are finished smooth
- Door is secured to the body with removable concealed stainless hinges and easy to remove stainless steel door clamps on three (3) sides
- Modern bevel profile on hinge side of enclosure door
- Door has a seamless poured in-place gasket
- Ground stud provided on door and body
- Each door has a padlock hasp with sealing hole provision
- Print pocket provided
- Large lifting eyebolts are supplied
- Hole seals are provided to seal enclosure after removal of lifting eyebolts
- Mounting channels are welded inside for locating panels or rack mount equipment along enclosure depth
- A variety of optional panels and accessories are available (see accessories pages 242-253)

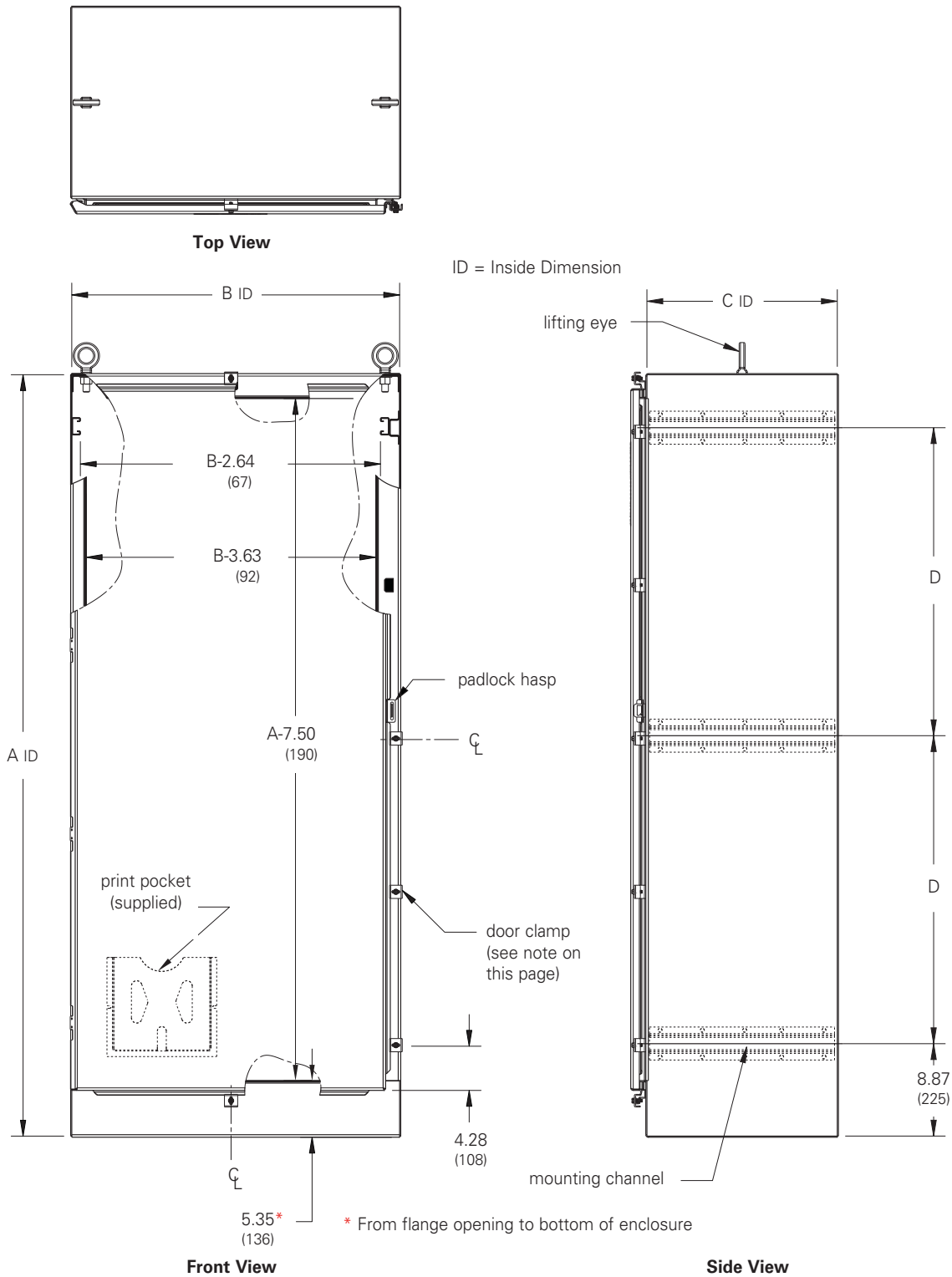
Discount Schedule: C2

Subclass: U40

Enclosure Catalog Number		Enclosure Size Height x Width x Depth A x B x C		D	
Type 304	Type 316L	in.	mm	in.	mm
722518-4XSFS	722518-4XSS6FS	72.00 x 25.00 x 18.00	1829 x 635 x 457	29.12	740
723118-4XSFS	723118-4XSS6FS	72.00 x 31.00 x 18.00	1829 x 787 x 457	29.12	740
723718-4XSFS	723718-4XSS6FS	72.00 x 37.00 x 18.00	1829 x 940 x 457	29.12	740
722524-4XSFS	722524-4XSS6FS	72.00 x 25.00 x 24.00	1829 x 635 x 610	29.12	740
723124-4XSFS	723124-4XSS6FS	72.00 x 31.00 x 24.00	1829 x 787 x 610	29.12	740
723724-4XSFS	723724-4XSS6FS	72.00 x 37.00 x 24.00	1829 x 940 x 610	29.12	740

Notes: We can provide special sizes, finishes and other modifications. Consult the factory for your special requirements.

Ground-Mount Enclosures Type 4X Single-Door Free-Standing Catalog Number and Illustration Sheet



Type 4X Panel Enclosures

Notes: Clamps are mounted along three sides of the enclosure door. Spacing between clamps along side opposite the hinge does not exceed 15 inches. Two lifting eyes are furnished on each enclosure. Dimensions are in inches. Millimeters shown are for reference only. Data subject to change without notice.

Type 4X Panel Enclosures

Ground-Mount Enclosures

Type 4X Single-Door Free-Standing with Quarter-Turn Latches

Data Sheet and Catalog Number



Application

- Houses electrical controls and instruments
- Easy access panels or rack mounts for housing optional equipment
- Intended for indoor or outdoor use
- Protects against corrosion, windblown dust and rain, splashing water and hose directed water

Standards

- UL 508A listed, Type 3R, Type 4, Type 4X, Type 12
- CSA C22.2 No.94 certified, Type 3R, Type 4, Type 4X, Type 12
- Conforms to NEMA standard for Type 3, Type 3R, Type 4, Type 4X, Type 12
- E.I.A. RS-310-D

Finish

- Door and sides of body have a smooth #4 brushed finish

Accessories

- Full and half panels
- Side and swing panels
- Panel Support Kit
- Panel Lifting Kit
- Channel mounting hardware
- Equipment Rack Mounts
- Lights
- Window kits

Construction

- Enclosure body (12) gauge and door (14) gauge are fabricated from Type 304 stainless steel
- All continuous welded seams are finished smooth
- Door is secured to the body with removable concealed stainless hinges and quarter-turn flush latches on three (3) sides
- Modern bevel profile on both sides of enclosure door
- Door has a seamless poured in-place gasket
- Formed lip around enclosure opening diverts liquids and contaminants
- Ground stud provided on door and body
- Print pocket provided
- Mounting channels are welded inside for locating panels or rack-mount equipment along enclosure depth
- Provision for mounting fluorescent light
- Large lifting eyebolts
- Hole seals are provided to seal enclosure after removal of lifting eyebolts

Discount Schedule: C2

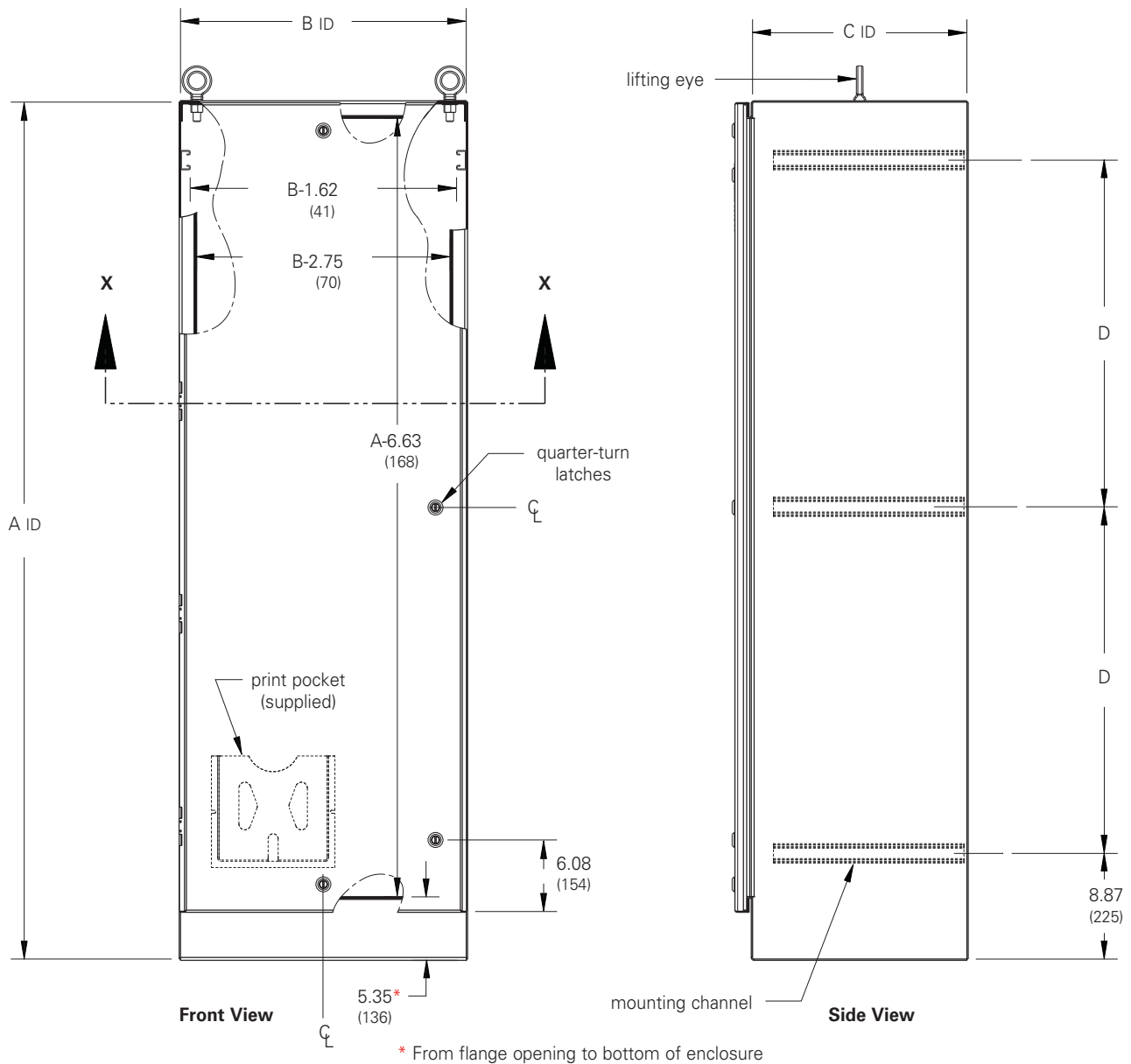
Subclass: U42

Enclosure Catalog Number	Enclosure Size Height x Width x Depth A x B x C		D	
	in.	mm	in.	mm
722418-4XSFSQT	72.00 x 24.00 x 18.00	1829 x 609 x 457	29.12	739
723024-4XSFSQT	72.00 x 30.00 x 24.00	1829 x 762 x 609	29.12	739
723624-4XSFSQT	72.00 x 36.00 x 24.00	1829 x 914 x 609	29.12	739

Notes: We can provide special sizes, finishes and other modifications. Consult the factory for your special requirements. Dimensions are in inches. Millimeters shown are for reference only. Data subject to change without notice.

Ground-Mount Enclosures Type 4X Single-Door Free-Standing with Quarter-Turn Latches Illustration Sheet

ID = Inside Dimension



Notes: Two lifting eyes are furnished on each enclosure).
Dimensions are in inches. Millimeters shown are for reference only. Data subject to change without notice.

Type 4X Panel Enclosures

Ground-Mount Enclosures Type 4X Single-Door Free-Standing with 3-Point Locking Data Sheet



Accessories

- Full and half panels
- Side and swing panels
- Panel Support Kit
- Panel Lifting Kit
- Channel mounting hardware
- Equipment Rack Mounts
- Lights
- Window kits
- Replacement handle (black), BD-PKHB, see page 429

Construction

- Enclosure and doors are fabricated from (12) gauge Type 304 stainless steel
- All continuous welded seams are finished smooth
- Door is secured to the body with removable concealed stainless hinges and a center locating 3-point key-locking and padlock handle mechanism
- Modern bevel profile on both sides of enclosure door
- Additional quarter-turn latches provided top and bottom on all enclosure doors
- Door has a seamless poured in-place gasket
- Formed lip around enclosure opening diverts liquids and contaminants
- Ground stud provided on door and body
- Print pocket provided
- Mounting channels are welded inside for locating panels or rack-mount equipment along enclosure depth
- Provision for mounting fluorescent light
- Large lifting eyebolts
- Hole seals are provided to seal enclosure after removal of lifting eyebolts

Application

- Houses electrical controls and instruments
- Easy access panels or rack mounts for housing optional equipment
- Intended for indoor or outdoor use
- Protects against corrosion, windblown dust and rain, splashing water and hose directed water

Standards

- UL 508A listed, Type 3R, Type 4, Type 4X, Type 12
- CSA C22.2 No.94 certified, Type 3R, Type 4, Type 4X, Type 12
- Conforms to NEMA standard for Type 3, Type 3R, Type 4, Type 4X, Type 12
- E.I.A. RS-310-D

Finish

- Door and sides of body have a smooth #4 brushed finish

Discount Schedule: C2

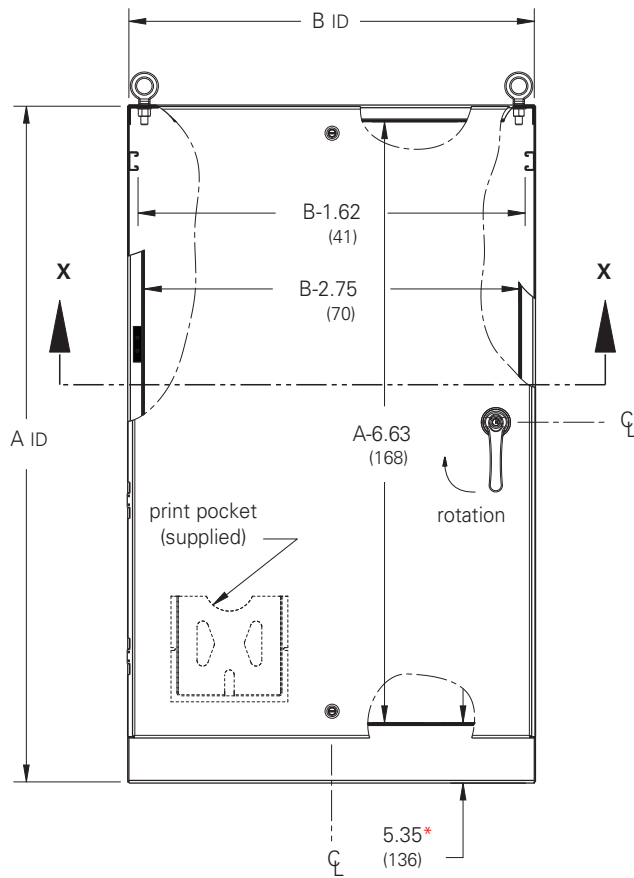
Subclass: U43

Enclosure Catalog Number	Enclosure Size Height x Width x Depth A x B x C		D	
	in.	mm	in.	mm
602418-4XSFS3PT	60.00 x 24.00 x 18.00	1524 x 609 x 457	23.12	587
722418-4XSFS3PT	72.00 x 24.00 x 18.00	1829 x 609 x 457	29.12	739
723018-4XSFS3PT	72.00 x 30.00 x 18.00	1829 x 762 x 457	29.12	739
723618-4XSFS3PT	72.00 x 36.00 x 18.00	1829 x 914 x 457	29.12	739
902420-4XSFS3PT	90.00 x 24.00 x 20.00	2286 x 609 x 508	38.12	968
903620-4XSFS3PT	90.00 x 36.00 x 20.00	2286 x 914 x 508	38.12	968
603624-4XSFS3PT	60.00 x 36.00 x 24.00	1524 x 914 x 609	23.12	587
722424-4XSFS3PT	72.00 x 24.00 x 24.00	1829 x 609 x 609	29.12	739
723024-4XSFS3PT	72.00 x 30.00 x 24.00	1829 x 762 x 609	29.12	739
723624-4XSFS3PT	72.00 x 36.00 x 24.00	1829 x 914 x 609	29.12	739
903624-4XSFS3PT	90.00 x 36.00 x 24.00	2286 x 914 x 609	38.12	968
723630-4XSFS3PT	72.00 x 36.00 x 30.00	1829 x 914 x 762	29.12	739
723636-4XSFS3PT	72.00 x 36.00 x 36.00	1829 x 914 x 914	29.12	739
903636-4XSFS3PT	90.00 x 36.00 x 36.00	2286 x 914 x 914	38.12	968

Notes: We can provide special sizes, finishes and other modifications. Consult the factory for your special requirements. Dimensions are in inches. Millimeters shown are for reference only. Data subject to change without notice.

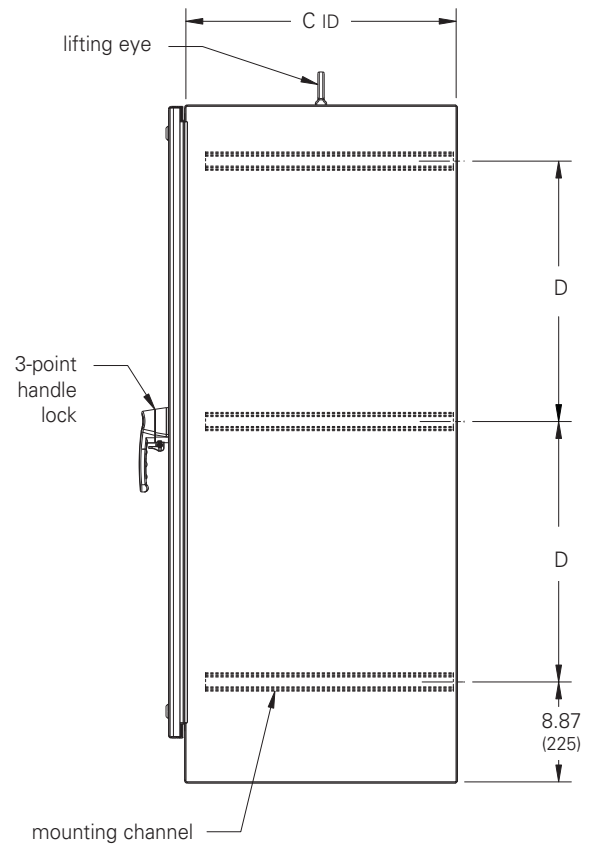
Ground-Mount Enclosures Type 4X Single-Door Free-Standing with 3-Point Locking Illustration Sheet and Catalog Number

ID = Inside Dimension

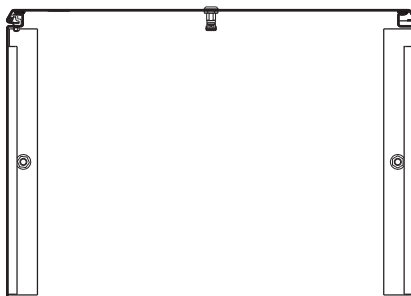


Front View

* From flange opening to bottom of enclosure



Side View



Section X-X

Notes: Four lifting eyes are furnished when C dimension is 30" (762 mm).
Dimensions are in inches. Millimeters shown are for reference only. Data subject to change without notice.
Additional quarter-turn latch provided on top and bottom of all enclosures.

Type 4X Panel Enclosures

Ground-Mount Enclosures

Type 4X Single-Door Dual Access Free-Standing with 3-Point Locking

Data Sheet



Application

- Houses electrical controls and instruments
- Easy access panels or rack mounts for housing optional equipment
- Intended for indoor or outdoor use
- Protects against corrosion, windblown dust and rain, splashing water and hose directed water

Standards

- UL 508A listed, Type 3R, Type 4, Type 4X, Type 12
- CSA C22.2 No.94 certified, Type 3R, Type 4, Type 4X, Type 12
- Conforms to NEMA standard for Type 3, Type 3R, Type 4, Type 4X, Type 12
- E.I.A. RS-310-D

Finish

- Door and sides of body have a smooth #4 brushed finish

Accessories

- Full and half panels
- Side and swing panels
- Panel Support Kit
- Panel Lifting Kit
- Channel mounting hardware
- Equipment Rack Mounts
- Lights
- Window kits
- Replacement handle (black), BD-PKHB, see page 429

Construction

- Enclosure and doors are fabricated from (12) gauge Type 304 stainless steel
- All continuous welded seams are finished smooth
- Doors are secured to the body with removable concealed hinges and a center locating 3-point key-locking and padlock handle mechanism
- Modern bevel profile on both sides of enclosure door
- Additional quarter-turn latches provided top and bottom on all enclosure doors
- Doors have a seamless poured in-place gasket
- Formed lip around enclosure openings to divert liquids and contaminants
- Dual-access construction available for back-to-back panel and equipment mounting
- Ground studs provided on doors and body
- Print pockets provided
- Mounting channels are welded inside for locating panels or rack-mount equipment along enclosure depth
- Provisions for mounting fluorescent light
- Large lifting eyebolts
- Hole seals are provided to seal enclosure after removal of lifting eyebolts

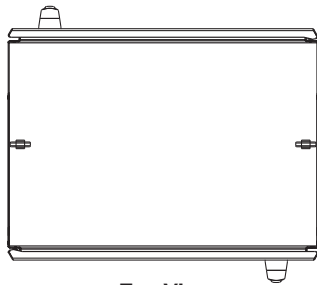
Discount Schedule: C2

Subclass: U43

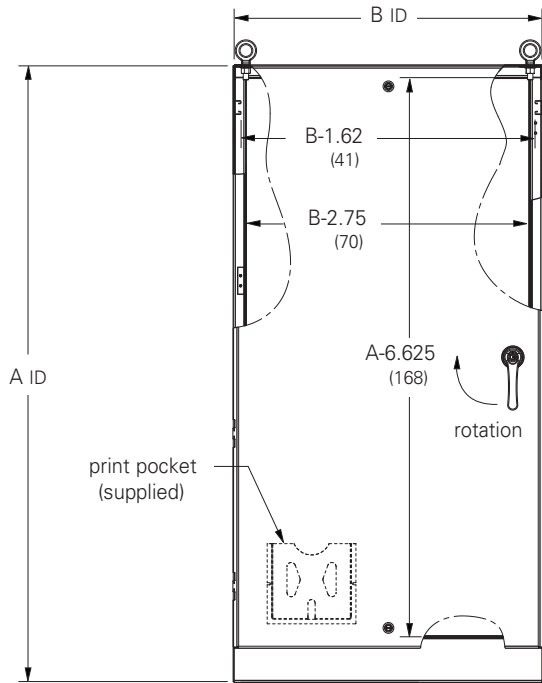
Notes: We can provide special sizes, finishes and other modifications. Consult the factory for your special requirements. Dimensions are in inches. Millimeters shown are for reference only. Data subject to change without notice.

Ground-Mount Enclosures Type 4X Single-Door Dual Access Free-Standing with 3-Point Locking Illustration Sheet and Catalog Number

Enclosure Catalog Number	Enclosure Size Height x Width x Depth A x B x C		D	
	in.	mm	in.	mm
	722424-4XSFDA3PT	72.00 x 24.00 x 24.00	1829 x 609 x 609	29.12
723024-4XSFDA3PT	72.00 x 30.00 x 24.00	1829 x 762 x 609	29.12	739
723624-4XSFDA3PT	72.00 x 36.00 x 24.00	1829 x 914 x 609	29.12	739
903624-4XSFDA3PT	90.00 x 36.00 x 24.00	2286 x 914 x 609	38.12	968
722430-4XSFDA3PT	72.00 x 24.00 x 30.00	1829 x 609 x 762	29.12	739
722436-4XSFDA3PT	72.00 x 24.00 x 36.00	1829 x 609 x 914	29.12	739
723636-4XSFDA3PT	72.00 x 36.00 x 36.00	1829 x 914 x 914	29.12	739
903636-4XSFDA3PT	90.00 x 36.00 x 36.00	2286 x 914 x 914	38.12	968

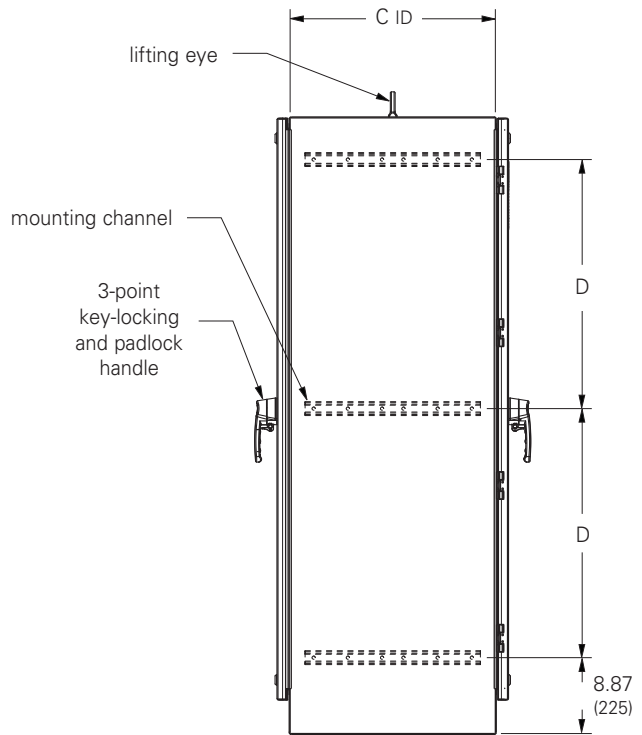


Top View



Front View

ID = Inside Dimension



Side View

Notes: Four lifting eyes are furnished when C dimension is 30" (762 mm) or larger.
Dimensions are in inches. Millimeters shown are for reference only. Data subject to change without notice.
Additional quarter-turn latch provided on top and bottom of all enclosures.

Type 4X Panel Enclosures

Ground-Mount Enclosures Type 4X Double-Door Free-Standing with 3-Point Locking Data Sheet



Application

- Houses electrical controls and instruments
- Easy access panels or rack mounts for housing optional equipment
- Intended for indoor or outdoor use
- Protects against corrosion, windblown dust and rain, splashing water and hose directed water

Standards

- UL 508A listed, Type 3R, Type Type 4, Type 4X, Type 12
- CSA C22.2 No.94 certified, Type 3R, Type 4, Type 4X, Type 12
- Conforms to NEMA standard for Type 3, Type 3R, Type 4, Type 4X, Type 12
- E.I.A. RS-310-D

Finish

- Doors and sides of body have a smooth #4 brushed finish

Accessories

- Full and half panels
- Side and swing panels
- Panel Support Kit
- Panel Lifting Kit
- Channel mounting hardware
- Equipment Rack Mounts
- Lights
- Window kits
- Replacement handle (black), BD-PKHB, see page 429

Construction

- Enclosure and doors are fabricated from (12) gauge Type 304 stainless steel
- All continuous welded seams are finished smooth
- Doors are secured to the body with removable concealed stainless hinges and a center locating 3-point key-locking and padlock handle mechanism
- Modern bevel profile on both sides of enclosure doors
- Additional quarter-turn latches provided top and bottom on all enclosure doors
- Doors have a seamless poured in-place gasket
- Formed lip around enclosure openings to divert liquids and contaminants
- Ground studs provided on doors and body
- Removable centerpost for easy panel installation
- Print pockets provided
- Mounting channels are welded inside for locating panels or rack-mount equipment along enclosure depth
- Provisions for mounting fluorescent light
- Large lifting eyebolts
- Hole seals are provided to seal enclosure after removal of lifting eyebolts

Discount Schedule: C2

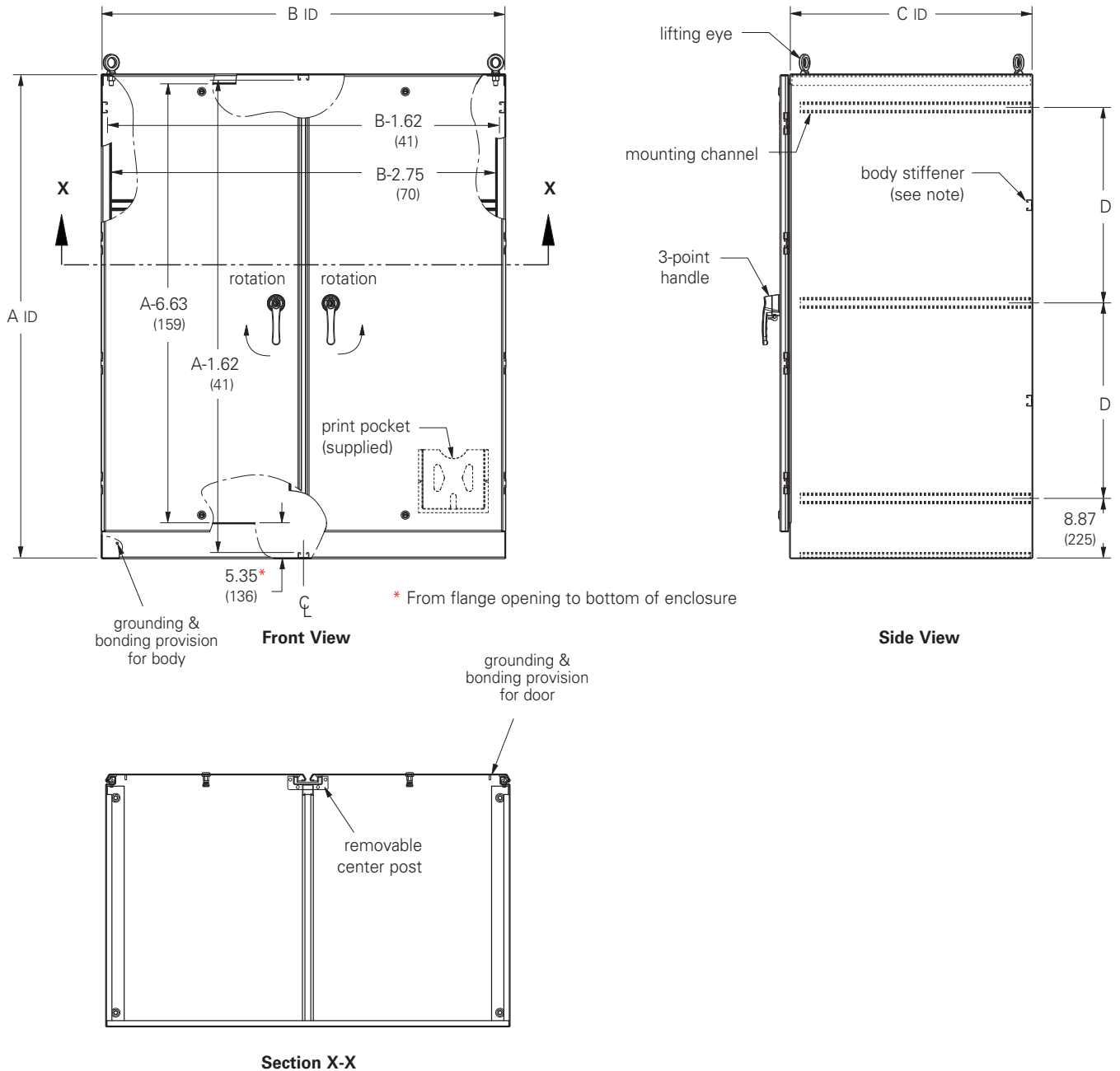
Subclass: U43

Enclosure Catalog Number	Enclosure Size Height x Width x Depth A x B x C		D	
	in.	mm	in.	mm
604818-4XSFS3PT	60.00 x 48.00 x 18.00	1524 x 1219 x 457	23.12	587
724818-4XSFS3PT	72.00 x 48.00 x 18.00	1829 x 1219 x 457	29.12	739
726018-4XSFS3PT	72.00 x 60.00 x 18.00	1829 x 1524 x 457	29.12	739
727218-4XSFS3PT	72.00 x 72.00 x 18.00	1829 x 1829 x 457	29.12	739
904820-4XSFS3PT	90.00 x 48.00 x 20.00	2286 x 1219 x 508	38.12	968
907220-4XSFS3PT	90.00 x 72.00 x 20.00	2286 x 1829 x 508	38.12	968
724824-4XSFS3PT	72.00 x 48.00 x 24.00	1829 x 1219 x 609	29.12	739
726024-4XSFS3PT	72.00 x 60.00 x 24.00	1829 x 1524 x 609	29.12	739
727224-4XSFS3PT	72.00 x 72.00 x 24.00	1829 x 1829 x 609	29.12	739
907224-4XSFS3PT	90.00 x 72.00 x 24.00	2286 x 1829 x 609	38.12	968
726036-4XSFS3PT	72.00 x 60.00 x 36.00	1829 x 1524 x 914	29.12	739
907236-4XSFS3PT	90.00 x 72.00 x 36.00	2286 x 1829 x 914	38.12	968

Notes: We can provide special sizes, finishes and other modifications. Consult the factory for your special requirements.

Ground-Mount Enclosures Type 4X Double-Door Free-Standing with 3-Point Locking Illustration Sheet and Catalog Number

ID = Inside Dimension



Notes: Four lifting eyes are furnished when C dimension is 24" (609 mm) or larger.
Dimensions are in inches. Millimeters shown are for reference only. Data subject to change without notice.
Additional quarter-turn latch provided on top and bottom of all enclosures.

Type 4X Panel Enclosures

Ground-Mount Enclosures

Type 4X Double-Door Dual Access Free-Standing with 3-Point Locking

Data Sheet



Application

- Houses electrical controls and instruments
- Easy access panels or rack mounts for housing optional equipment
- Intended for indoor or outdoor use
- Protects against corrosion, windblown dust and rain, splashing water and hose directed water

Standards

- UL 508A listed, Type 3R, 4, 4X, 12
- CSA C22.2 No.94 certified, Type 3R, 4, 4X, 12
- Conforms to NEMA standard for Type 3, 3R, 4, 4X, 12
- E.I.A. RS-310-D

Finish

- Doors and sides of body have a smooth #4 brushed finish

Accessories

- Full and half panels
- Side and swing panels
- Panel Support Kit
- Panel Lifting Kit
- Channel mounting hardware
- Equipment Rack Mounts
- Lights
- Window kits
- Replacement handle (black), BD-PKHB, see page 429

Construction

- Enclosure and doors are fabricated from (12) gauge Type 304 stainless steel
- All continuous welded seams are finished smooth
- Doors are secured to the body with removable concealed stainless hinges and a center locating 3-point key-locking and padlock handle mechanism
- Modern bevel profile on both sides of enclosure doors
- Additional quarter-turn latches provided top and bottom on all enclosure doors
- Doors have a seamless poured in-place gasket
- Formed lip around enclosure openings to divert liquids and contaminants
- Ground studs provided on doors and body
- Removable centerpost for easy panel installation
- Dual-access construction available for back-to-back panel and equipment mounting
- Print pockets provided
- Mounting channels are welded inside for locating panels or rack-mount equipment along enclosure depth
- Provisions for mounting fluorescent light
- Large lifting eyebolts
- Hole seals are provided to seal enclosure after removal of lifting eyebolts

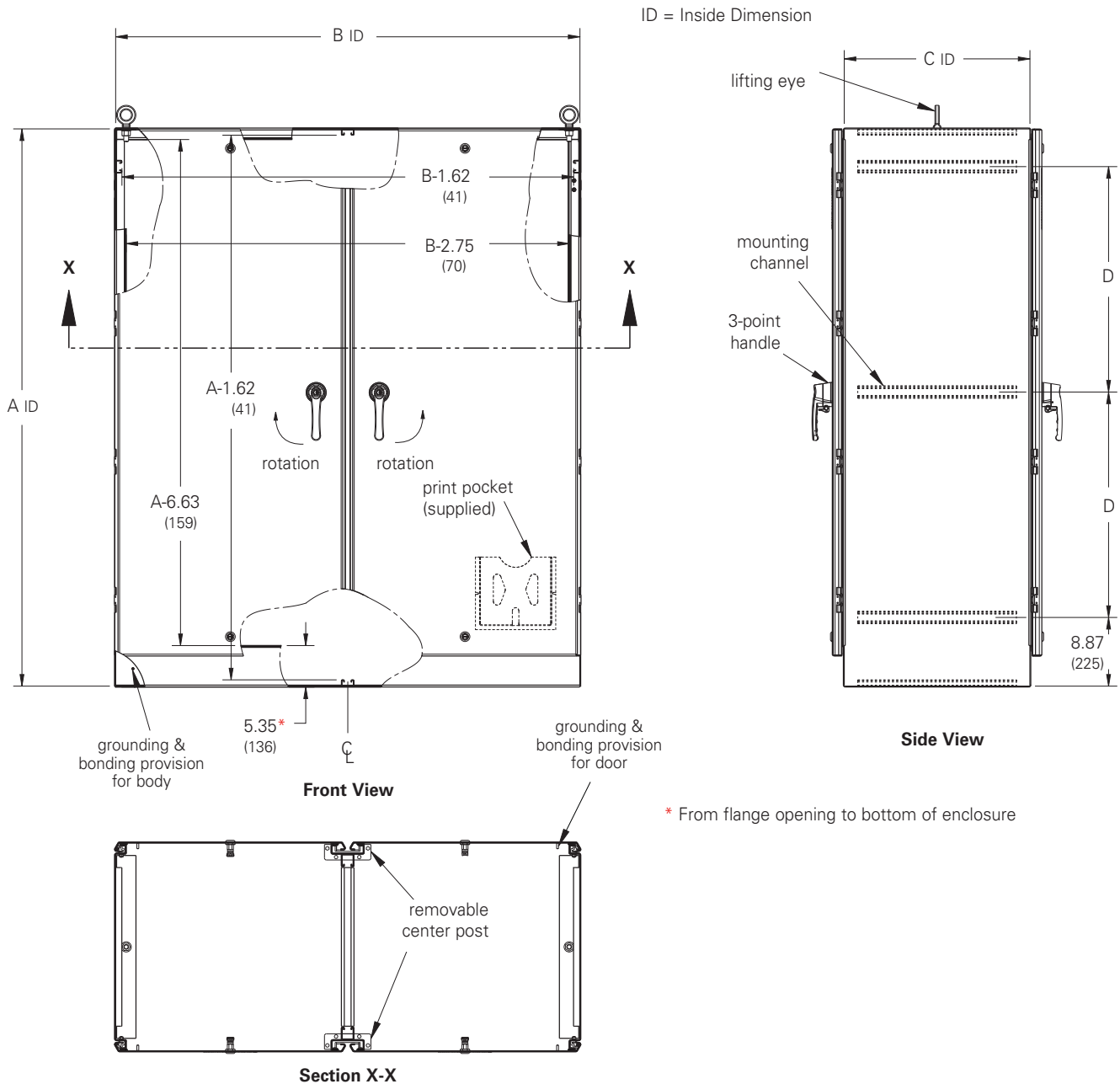
Discount Schedule: C2

Subclass: U43

Notes: We can provide special sizes, finishes and other modifications. Consult the factory for your special requirements.

Ground-Mount Enclosures Type 4X Double-Door Dual Access Free-Standing with 3-Point Locking Illustration Sheet and Catalog Number

Enclosure Catalog Number	Enclosure Size Height x Width x Depth A x B x C		D	
	in.	mm	in.	mm
724824-4XSFSDDA3PT	72.00 x 48.00 x 24.00	1829 x 1219 x 609	29.12	739
726024-4XSFSDDA3PT	72.00 x 60.00 x 24.00	1829 x 1524 x 609	29.12	739
727224-4XSFSDDA3PT	72.00 x 72.00 x 24.00	1829 x 1829 x 609	29.12	739
907224-4XSFSDDA3PT	90.00 x 72.00 x 24.00	2286 x 1829 x 609	38.12	968
726036-4XSFSDDA3PT	72.00 x 60.00 x 36.00	1829 x 1524 x 609	29.12	739



* From flange opening to bottom of enclosure

Notes: Four lifting eyes are furnished when C dimension is 30" (762 mm) or larger.
Dimensions are in inches. Millimeters shown are for reference only. Data subject to change without notice.
Additional quarter-turn latch provided on top and bottom of all enclosures.

Type 4X Panel Enclosures

Ground-Mount Enclosures

Type 4X Double-Door EnviroShield™ Free-Standing with 3-Point Locking

Data Sheet



Application

- Houses electrical controls and electrical instruments in harsh environments
- Provides quick and easy access indoors and out
- Protects against circulating dust, falling dirt, dripping non-corrosive liquids, rain, sleet, ice, splashing and hose directed water

Standards

- UL 508A listed, Type 3R, 4, 4X, 12
- CSA C22.2 No.94 certified, Type 3R, 4, 4X, 12
- Conforms to NEMA standard for Type 3, 3R, 4, 4X, 12
- E.I.A. RS-310-D
- NSF Criteria C-2

Finish

- Doors and sides of body have a smooth #4 brushed finish

Accessories

- Full and half panels
- Side panels
- Swing panels
- Touch-up paint
- Mounting legs
- Rack mounting angles
- Swing out mounting frames
- Replacement handle, BD-PKHSS, see page 429
- See Accessories section

Construction

- Enclosure and door are fabricated from (12) gauge Type 304 or Type 316L stainless steel
- All continuous welded seams are finished smooth
- Doors are secured to the body with removable concealed stainless hinges and a center locating 3-point key-locking and padlock stainless steel handle mechanism
- Modern bevel profile on both sides of enclosure doors
- Removable center post
- Doors have a fixed, neoprene IV2 closed cell gasket
- Ground stud provided on doors and body
- Print pocket provided
- Large bolt-on lifting eyes are mounted to the sides of the enclosure
- Mounting channels are welded inside for locating panels or rack mounts along enclosure depth, as well as mounting studs for fixed panels
- Swing panels, single full and single half panels can be installed in double-door enclosures when the center post is used
- A variety of optional panels and accessories are available, (see pages 242 - 253)

Discount Schedule: C2

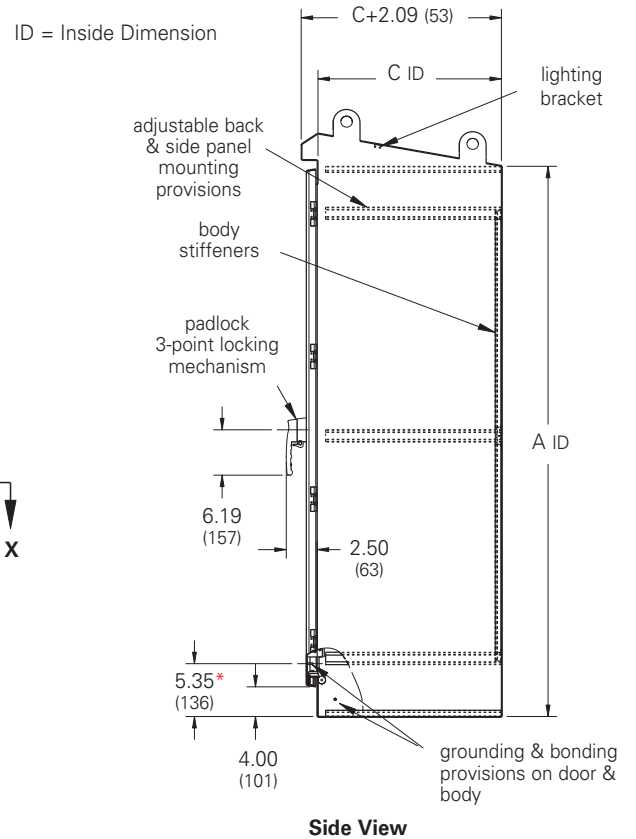
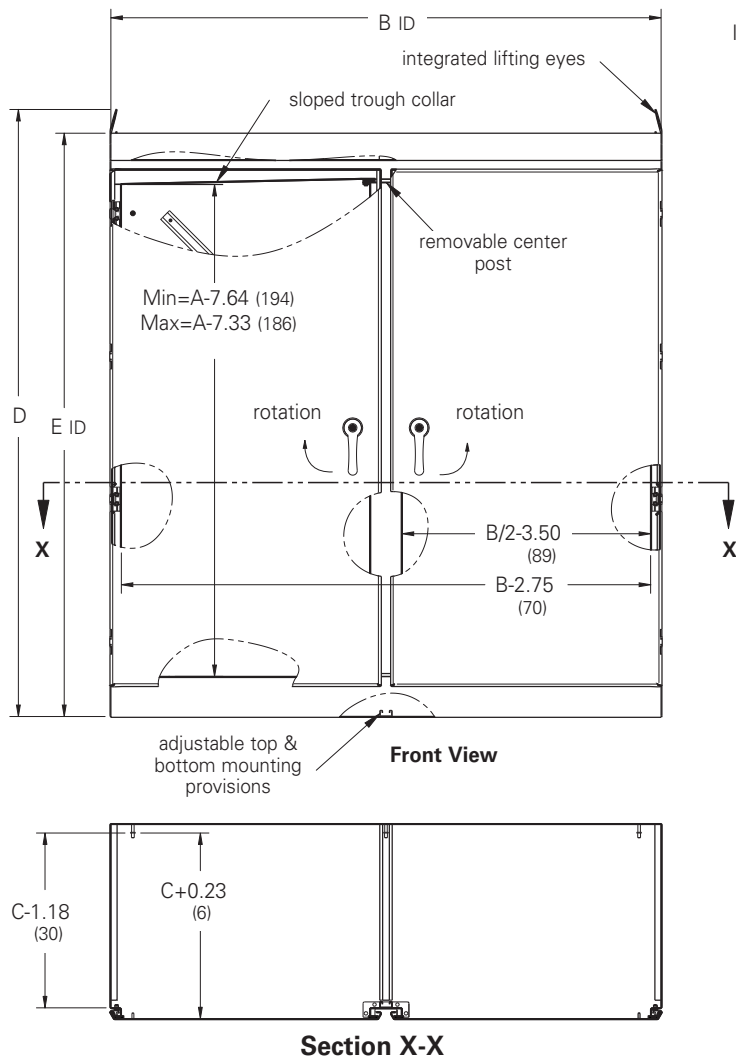
Subclass: VSO (Type 304)

VTO (Type 316L)

Notes: We can provide special sizes, finishes and other modifications. Consult the factory for your special requirements.

Ground-Mount Enclosures Type 4X Double-Door EnviroShield™ Free-Standing with 3-Point Locking Illustration Sheet and Catalog Number

Enclosure Catalog Number		Enclosure Size Height x Width x Depth A x B x C		D		E	
Type 304 Stainless Steel	Type 316L Stainless Steel	in.	mm	in.	mm	in.	mm
ES-604812-4XS	ES-604812-4XSS6	60.00 x 48.00 x 12.00	1524 x 1219 x 305	65.87	1673	64.44	1637
ES-604816-4XS	ES-604816-4XSS6	60.00 x 48.00 x 16.00	1524 x 1219 x 406	65.87	1673	64.44	1637
ES-604820-4XS	ES-604820-4XSS6	60.00 x 48.00 x 20.00	1524 x 1219 x 508	65.87	1673	64.44	1637
ES-604824-4XS	ES-604824-4XSS6	60.00 x 48.00 x 24.00	1524 x 1219 x 609	65.87	1673	64.44	1637
ES-606012-4XS	ES-606012-4XSS6	60.00 x 60.00 x 12.00	1524 x 1524 x 305	65.87	1673	64.44	1637
ES-606016-4XS	ES-606016-4XSS6	60.00 x 60.00 x 16.00	1524 x 1524 x 406	65.87	1673	64.44	1637
ES-606020-4XS	ES-606020-4XSS6	60.00 x 60.00 x 20.00	1524 x 1524 x 508	65.87	1673	64.44	1637
ES-606024-4XS	ES-606024-4XSS6	60.00 x 60.00 x 24.00	1524 x 1524 x 609	67.87	1724	64.44	1637
ES-726012-4XS	ES-726012-4XSS6	72.00 x 60.00 x 12.00	1829 x 1524 x 305	77.87	1978	76.44	1941
ES-726016-4XS	ES-726016-4XSS6	72.00 x 60.00 x 16.00	1829 x 1524 x 406	77.87	1978	76.44	1941
ES-726020-4XS	ES-726020-4XSS6	72.00 x 60.00 x 20.00	1829 x 1524 x 508	77.87	1978	76.44	1941
ES-726024-4XS	ES-726024-4XSS6	72.00 x 60.00 x 24.00	1829 x 1524 x 609	77.87	1978	76.44	1941
ES-727212-4XS	ES-727212-4XSS6	72.00 x 72.00 x 12.00	1829 x 1829 x 305	77.87	1978	76.44	1941
ES-727216-4XS	ES-727216-4XSS6	72.00 x 72.00 x 16.00	1829 x 1829 x 406	77.87	1978	76.44	1941
ES-727220-4XS	ES-727220-4XSS6	72.00 x 72.00 x 20.00	1829 x 1829 x 508	77.87	1978	76.44	1941
ES-727224-4XS	ES-727224-4XSS6	72.00 x 72.00 x 24.00	1829 x 1829 x 609	79.87	2028	76.44	1941



* From flange opening to bottom of enclosure

Notes: Dimensions are in inches. Millimeters shown are for reference only. Data subject to change without notice.

Type 4X Panel Enclosures

Free-Standing Enclosure Accessories Type 4X Single-Door Full and Half Panel Illustration Sheet and Catalog Number

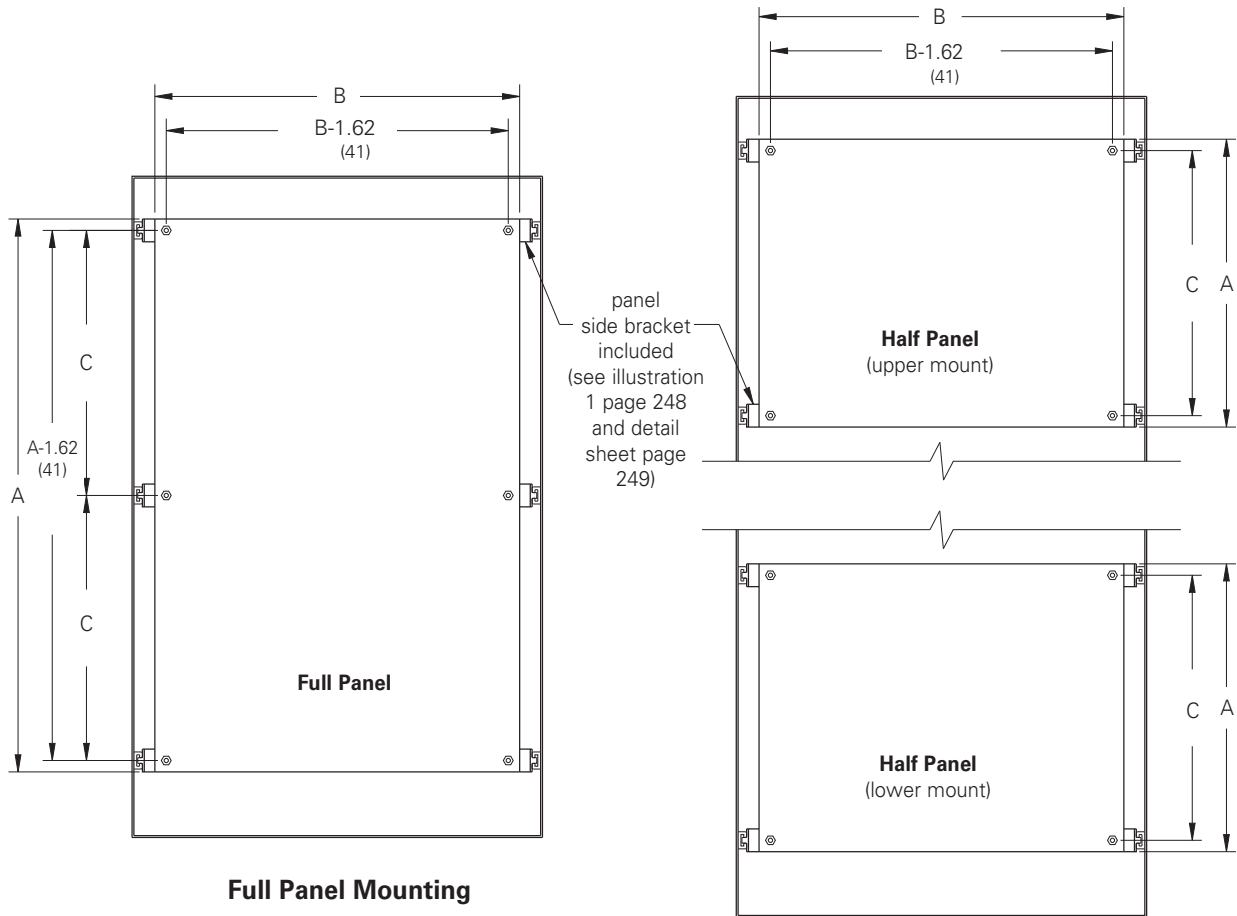
Discount Schedule: C2
Subclass: DSD

Full Swing Panel (Single-Door)

Panel Catalog Number	Panel Size Height x Width A x B		C		Fits Enclosure Height x Width			
	in.	mm	in.	mm	in.	mm		
AF6024P	47.87	19.87	1216	505	23.12	587	60.00 x 24.00	1524 x 610
AF6036P	47.87	31.87	1216	809	23.12	587	60.00 x 36.00	1524 x 914
AF7224P	59.87	19.87	1521	505	29.12	740	72.00 x 24.00	1829 x 610
AF7230P	59.87	25.87	1521	657	29.12	740	72.00 x 30.00	1829 x 762
AF7236P	59.87	31.87	1521	809	29.12	740	72.00 x 36.00	1829 x 914
AF9024P	77.87	19.87	1978	505	38.12	968	90.00 x 24.00	2286 x 610
AF9036P	77.87	31.87	1978	809	38.12	968	90.00 x 36.00	2286 x 914

Half Swing Panel (Single-Door)

Panel Catalog Number	Panel Size Height x Width A x B		C		Fits Enclosure Height x Width			
	in.	mm	in.	mm	in.	mm		
AF6024HP	24.75	19.87	629	505	23.12	587	60.00 x 24.00	1524 x 610
AF6036HP	24.75	31.87	629	809	23.12	587	60.00 x 36.00	1524 x 914
AF7224HP	30.75	19.87	781	505	29.12	587	72.00 x 24.00	1829 x 610
AF7230HP	30.75	25.87	781	657	29.12	587	72.00 x 30.00	1829 x 762
AF7236HP	30.75	31.87	781	809	29.12	587	72.00 x 36.00	1829 x 914
AF9024HP	39.75	19.87	1010	505	38.12	968	90.00 x 24.00	2286 x 610
AF9036HP	39.75	31.87	1010	809	38.12	968	90.00 x 36.00	2286 x 914



Type 4X Panel Enclosures

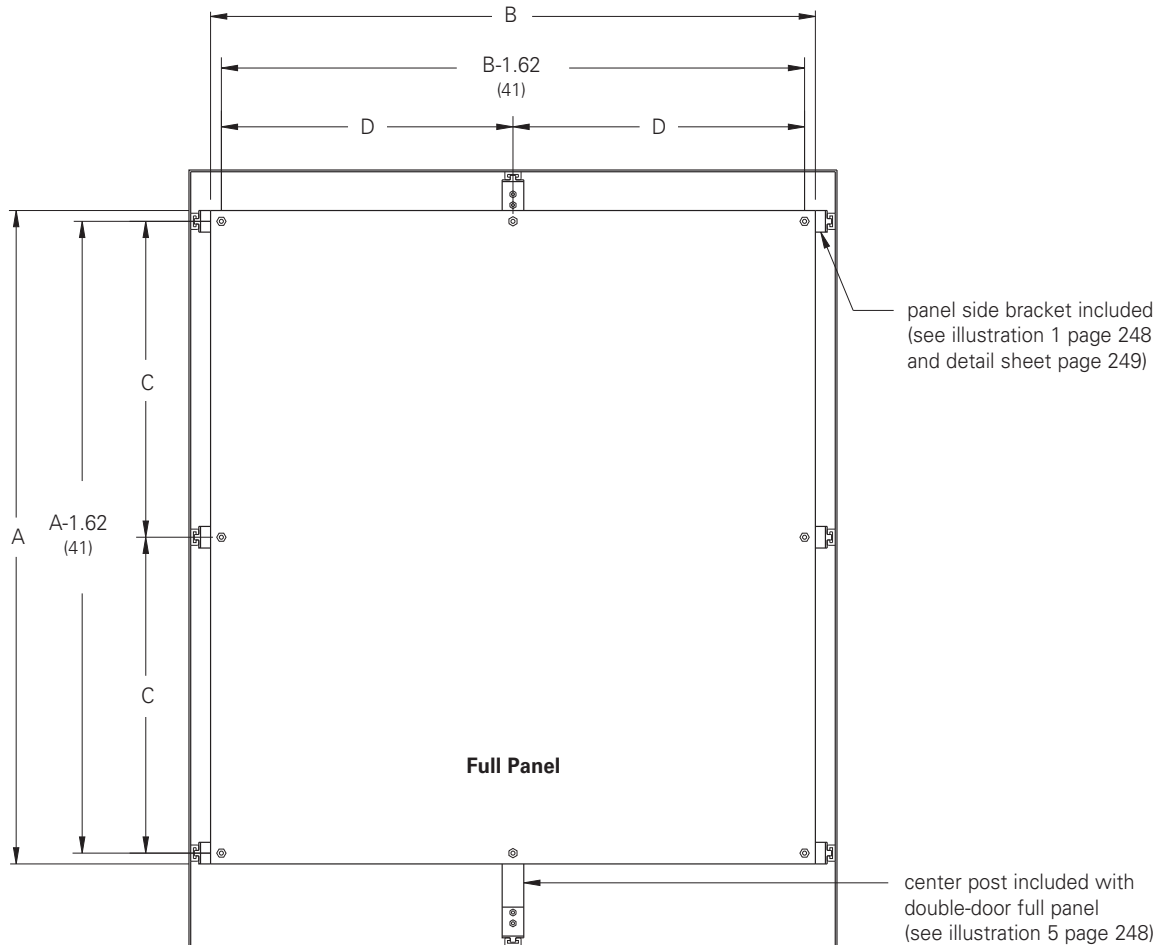
Note: Full and Half panel for single-door, single and dual-access enclosures are (12) gauge steel and furnished with panel side brackets and all hardware necessary for channel and panel mounting. Half Panels can be mounted in either the upper or lower portion of the enclosure. Free standing design permits the panel to adjust along the depth of the enclosure. With dual-access enclosures, Full and Half panels can be mounted back-to-back.

Notes: Dimensions are in inches. Millimeters shown are for reference only. Data subject to change without notice.

Free-Standing Enclosure Accessories Type 4X Double-Door Full Panel Illustration Sheet and Catalog Number

Discount Schedule: C2
Subclass: DSD

Panel Catalog Number	Panel Size Height x Width A x B		C		D		Fits Enclosure Height x Width	
	in.	mm	in.	mm	in.	mm	in.	mm
AF6048P	47.87 x 43.87	1216 x 1114	23.12	587	21.12	530	60.00 x 48.00	1524 x 1219
AF6060P	47.87 x 55.87	1216 x 1419	23.12	587	27.12	689	60.00 x 60.00	1524 x 1524
AF7248P	59.87 x 43.87	1521 x 1114	29.12	740	21.12	530	72.00 x 48.00	1829 x 1219
AF7260P	59.87 x 55.87	1521 x 1419	29.12	740	27.12	689	72.00 x 60.00	1829 x 1524
AF7272P	59.87 x 67.87	1521 x 1724	29.12	740	33.12	841	72.00 x 72.00	1829 x 1829
AF9048P	77.87 x 43.87	1978 x 1114	38.12	968	21.12	530	90.00 x 48.00	2286 x 1219
AF9072P	77.87 x 67.87	1978 x 1724	38.12	968	33.12	841	90.00 x 72.00	2286 x 1829



Full Panel Mounting

Notes: Full Panel for double-door, single and dual-access enclosures are (10) gauge steel and furnished with Panel Brackets, Center Post assembly, panel handle kit and all hardware necessary for channel and panel mounting. The Center Post assembly offers additional support of panel and equipment. Free-standing design permits the panel to adjust along the depth of the enclosure. With dual-access enclosures, Full and Half Panels can be mounted back-to-back.

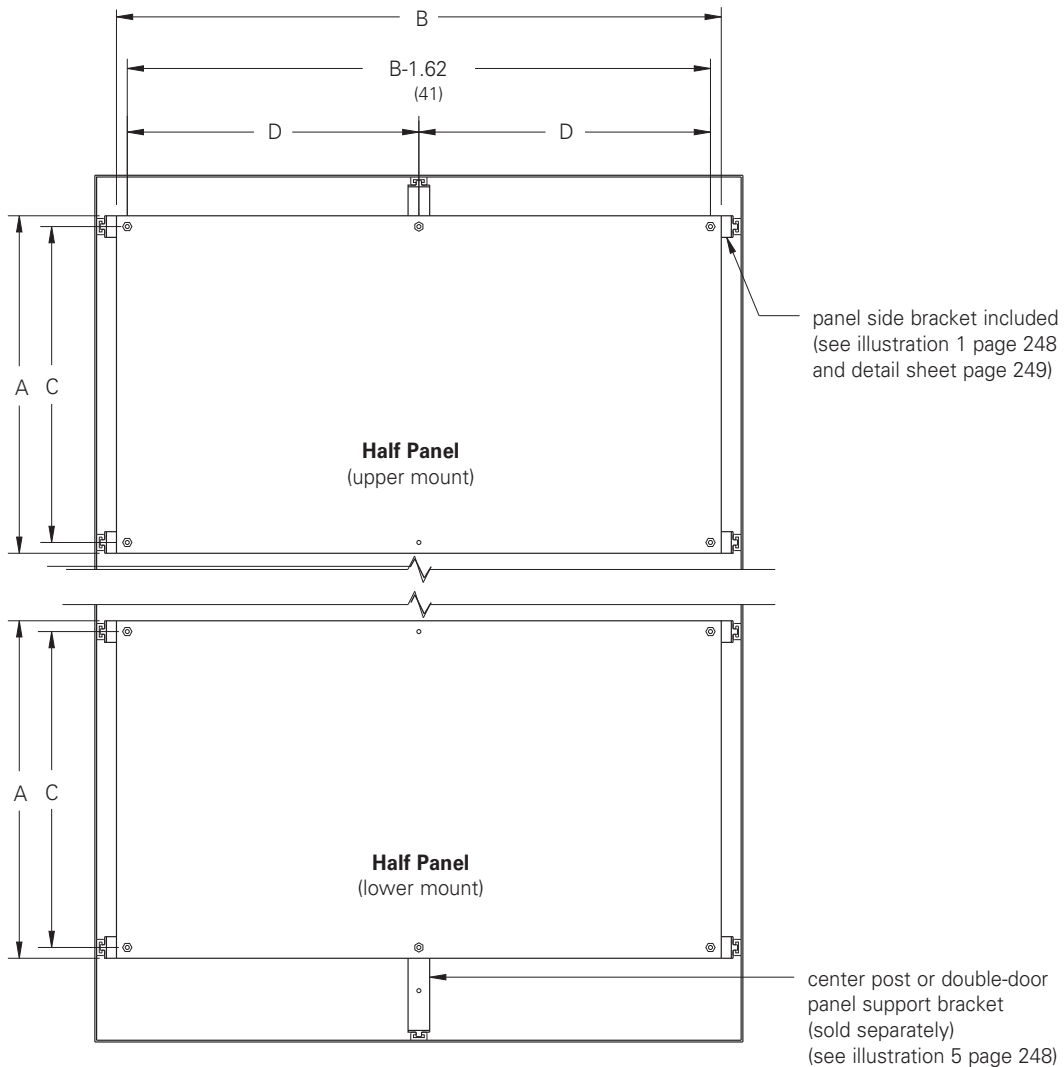
Notes: Dimensions are in inches. Millimeters shown are for reference only. Data subject to change without notice.

Type 4X Panel Enclosures

Free-Standing Enclosure Accessories Type 4X Double-Door Half Panel Illustration Sheet and Catalog Number

Discount Schedule: C2
Subclass: DSD

Panel Catalog Number	Panel Size Height x Width A x B		C		D		Fits Enclosure Height x Width	
	in.	mm	in.	mm	in.	mm	in.	mm
AF6048HP	24.75 x 43.87	629 x 1114	23.12	587	21.12	536	60.00 x 48.00	1524 x 1219
AF7248HP	30.75 x 43.87	781 x 1114	29.12	740	21.12	536	72.00 x 48.00	1829 x 1219
AF7260HP	30.75 x 55.87	781 x 1419	29.12	740	7.12	181	72.00 x 60.00	1829 x 1524
AF7272HP	30.75 x 67.87	781 x 1724	29.12	740	33.12	841	72.00 x 72.00	1829 x 1829
AF9048HP	39.75 x 43.87	1010 x 1114	38.12	968	21.12	536	90.00 x 48.00	2286 x 1219
AF9072HP	39.85 x 67.87	1012 x 1724	38.12	968	33.12	841	90.00 x 72.00	2286 x 1829



Half Panel Mounting

Note: Half panel for double-door, single and dual-access enclosures are (12) gauge steel and furnished with Panel Brackets and all hardware necessary for channel and panel mounting. **A Center Post assembly or a double-door panel support bracket (catalog number AFSUP2) for additional support of the panel is optional and sold separately.** Free-standing design permits the panel to adjust along the depth of the enclosure. With dual-access enclosures, Full and Half Panels can be mounted back-to-back.

Notes: Dimensions are in inches. Millimeters shown are for reference only. Data subject to change without notice.

Free-Standing Enclosure Accessories Type 4X Side Panel And Center Post Illustration Sheet and Catalog Number

Discount Schedule: C2

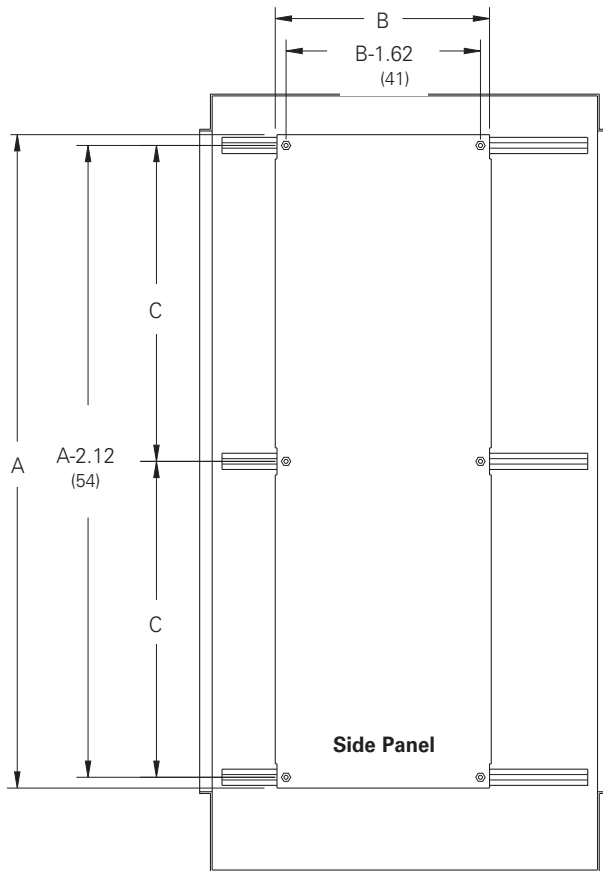
Side Panel - Subclass: DSD

Panel Catalog Number	Panel Size Height x Width A x B		C		Fits Enclosure Height		Depth*	
	in.	mm	in.	mm	in.	mm	in.	mm
AF6018SP	48.37	1229	23.12	587	60.00	1524	18.00	457
AF7218SP	60.37	1533	29.12	740	72.00	1829	18.00	457
AF7224SP	60.37	1533	29.12	740	72.00	1829	24.00	610
AF9018SP	78.37	1991	38.12	968	90.00	2286	18.00	457
AF9024SP	78.37	1991	38.12	968	90.00	2286	24.00	457

Center Post - Subclass: DSO

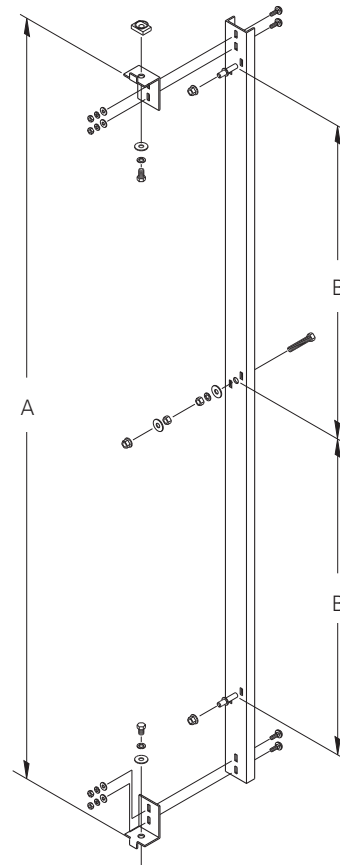
Center Post Catalog Number	A		B		Fits Enclosure Height	
	in.	mm	in.	mm	in.	mm
AF60CPS	58.37	1483	23.12	587	60.00	1524
AF72CPS	70.37	1787	29.12	740	72.00	1829
AF90CPS	88.37	2245	38.12	968	90.00	2286

* Back panels restrict the movement of side panels and will prohibit mounting in some depths. See detail sheet for back panel spacing.



Side Panel Mounting

Side Panels are (12) gauge steel and furnished with hardware necessary for channel mounting. They will fit any width enclosure and are adjustable along its depth, however, when Full or Half Panels are installed, movement will be restricted and with some depths make side mounting prohibitive.



Center Post Assembly

Center Post assembly is furnished with all double-door Full Panels and includes hardware necessary for channel and panel mounting. The Center Post is optional on double-door Half Panels and Swing Panel mounting and must be ordered separately. It attaches to the top and bottom channels making it adjustable along the depth of the enclosure. See illustration #5 on the Detail Sheet-page 248.

Notes: Dimensions are in inches. Millimeters shown are for reference only. Data subject to change without notice.

Type 4X Panel Enclosures

Free-Standing Enclosure Accessories Type 4X Single-Door Full and Half Swing Panel Illustration Sheet and Catalog Number

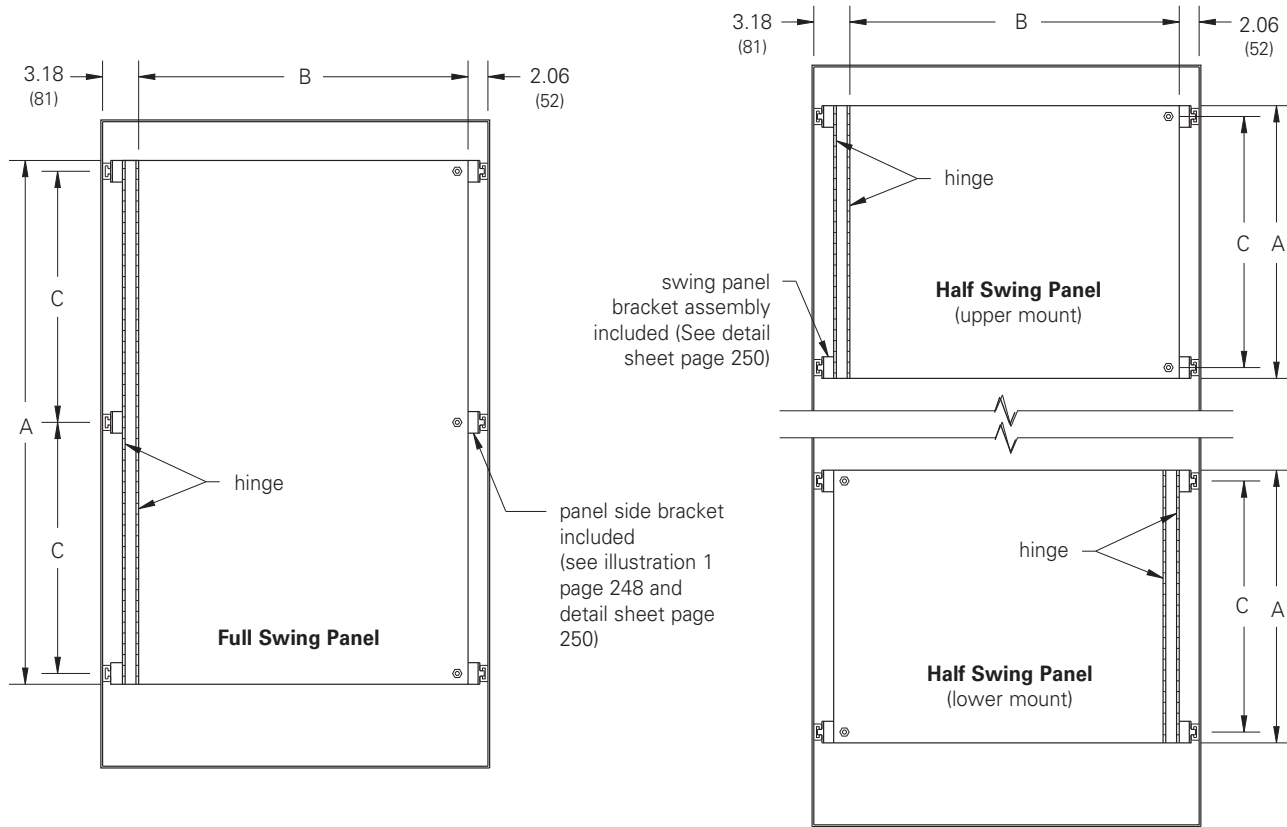
Discount Schedule: C2
Subclass: DSD

Full Swing Panel (Single-Door)

Panel Catalog Number	Panel Size Height x Width A x B		C		Fits Enclosure Height x Width	
	in.	mm	in.	mm	in.	mm
AF6024SWP	47.87	1216	23.12	587	60.00	1524
AF6036SWP	47.87	1216	23.12	587	60.00	1524
AF7224SWP	59.87	1521	29.12	740	72.00	1829
AF7230SWP	59.87	1521	29.12	740	72.00	1829
AF7236SWP	59.87	1521	29.12	740	72.00	1829
AF9024SWP	77.87	1978	38.12	968	90.00	2286
AF9036SWP	77.87	1978	38.12	968	90.00	2286

Half Swing Panel (Single-Door)

Panel Catalog Number	Panel Size Height x Width A x B		C		Fits Enclosure Height x Width	
	in.	mm	in.	mm	in.	mm
AF6024HWP	24.75	629	23.12	587	60.00	1524
AF6036HWP	24.75	629	23.12	587	60.00	1524
AF7224HWP	30.75	781	29.12	740	72.00	1829
AF7230HWP	30.75	781	29.12	740	72.00	1829
AF7236HWP	30.75	781	29.12	740	72.00	1829
AF9024HWP	39.75	1010	38.12	968	90.00	2286
AF9036HWP	39.75	1010	38.12	968	90.00	2286



Full Swing Panel Mounting

Half Swing Panel Mounting

Note: Full Swing Panel and Half Swing Panel for single-door, single and dual-access enclosures are (12) gauge steel, have a dual hinge swing panel bracket and furnished with Panel Brackets and all hardware necessary for channel and panel mounting. Panels can be installed so they hinge on either the left or right side. In addition, Half Panels can be mounted in either the upper or lower portion of the enclosure. Free-standing design permits the panel to be adjustable along the depth of the enclosure. The dual hinge will allow the inner panel to swing completely out of the door opening when within 5.50 inches of the front. With dual-access enclosures, Full and Half Swing Panels can be mounted back-to-back.

Notes: Dimensions are in inches. Millimeters shown are for reference only. Data subject to change without notice.

Free-Standing Enclosure Accessories Type 4X Double-Door Full and Half Swing Panel Illustration Sheet and Catalog Number

Discount Schedule: C2
Subclass: DSD

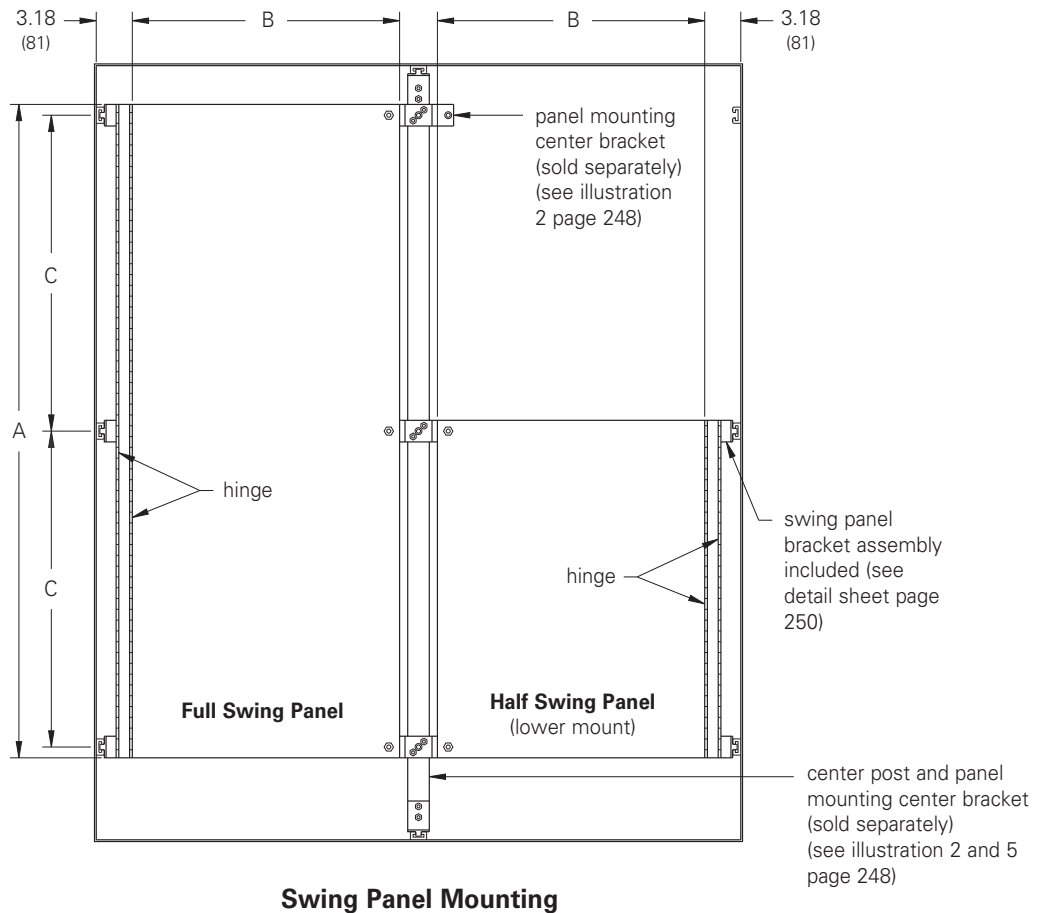
Full Swing Panel (Single-Door)

Panel Catalog Number	Panel Size Height x Width A x B		C		Fits Enclosure Height x Width	
	in.	mm	in.	mm	in.	mm
AF6024SWP	47.87 x 18.75	1216 x 476	23.12	587	60.00 x 48.00	1524 x 1219
AF7224SWP	59.87 x 18.75	1521 x 476	29.12	740	72.00 x 48.00	1829 x 1219
AF7230SWP	59.87 x 24.75	1521 x 629	29.12	740	72.00 x 60.00	1829 x 1524
AF7236SWP	59.87 x 30.75	1521 x 781	29.12	740	72.00 x 72.00	1829 x 1829
AF9024SWP	77.87 x 18.75	1978 x 781	38.12	968	90.00 x 48.00	2286 x 1219
AF9036SWP	77.87 x 30.75	1978 x 781	38.12	968	90.00 x 72.00	2286 x 1829

Half Swing Panel (Single-Door)

Panel Catalog Number	Panel Size Height x Width A x B		C		Fits Enclosure Height x Width	
	in.	mm	in.	mm	in.	mm
AF6024HWP	24.75 x 18.75	629 x 476	23.12	587	60.00 x 48.00	1524 x 1219
AF7224HWP	30.75 x 18.75	781 x 476	29.12	740	72.00 x 48.00	1829 x 1219
AF7230HWP	30.75 x 24.75	781 x 629	29.12	740	72.00 x 60.00	1829 x 1524
AF7236HWP	30.75 x 30.75	781 x 781	29.12	740	72.00 x 72.00	1829 x 1829
AF9024HWP	39.75 x 18.75	1010 x 476	38.12	968	90.00 x 48.00	2286 x 1219
AF9036HWP	39.75 x 30.75	1010 x 781	38.12	968	90.00 x 72.00	2286 x 1829

A Center Post assembly and Center Bracket must be ordered separately.



Swing Panel Mounting

Note: Full Swing Panel and Half Swing Panel for double-door, single and dual-access enclosures are (12) gauge steel, have a dual hinge swing panel bracket, and furnished with hardware necessary for side channel mounting. **A Center Post assembly and Center Bracket must be ordered separately.** Panels can be installed so they hinge either on the left or right side. In addition, Half Panels can be mounted in either the upper or lower portion of the enclosure. Free-standing design permits the panel to adjust along the depth of the enclosure. The dual hinge will allow the inner panel to swing completely out of the door opening when within 5.50 inches of the front. With dual-access enclosures, Full and Half Swing Panels can be mounted back-to-back.

Notes: Dimensions are in inches. Millimeters shown are for reference only. Data subject to change without notice.

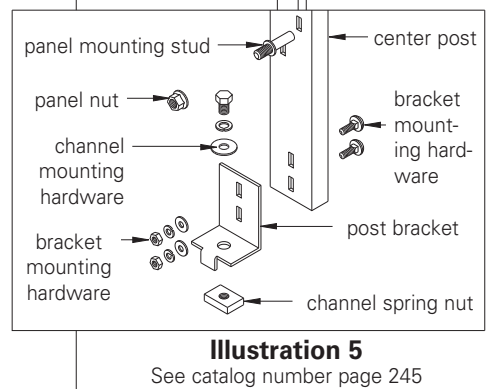
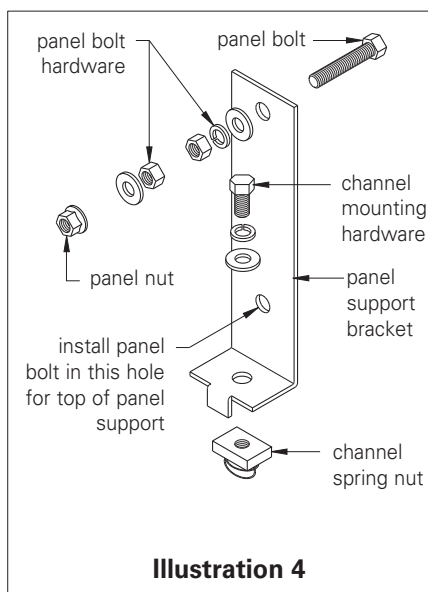
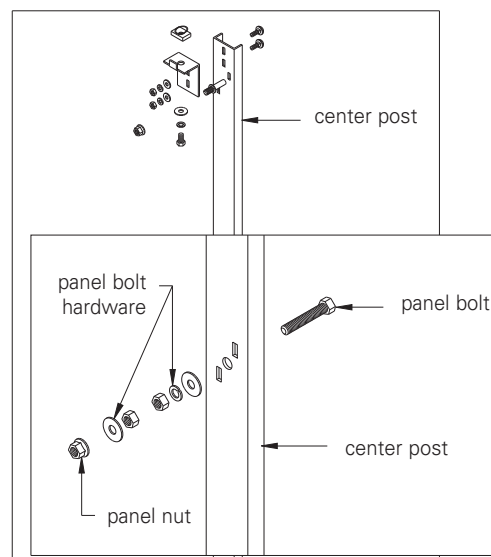
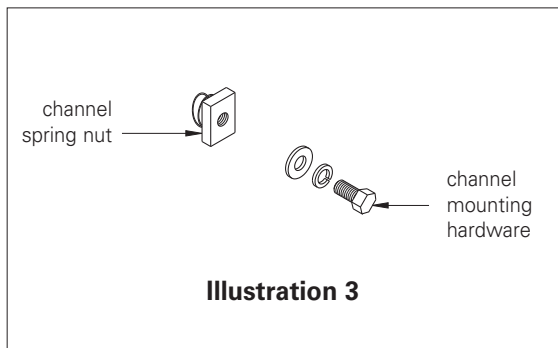
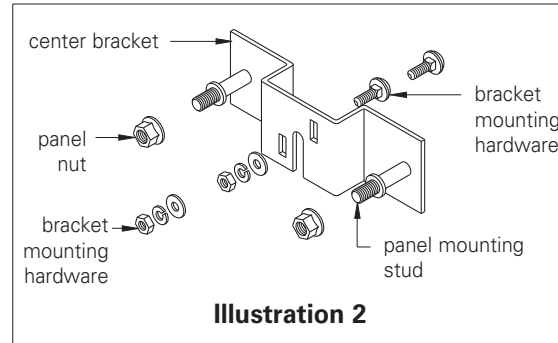
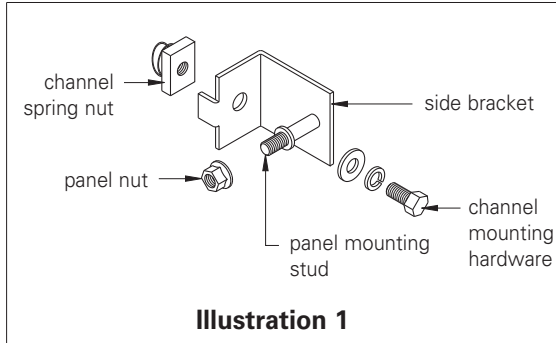
Type 4X Panel Enclosures

Free-Standing Enclosure Accessories Type 4X Miscellaneous Accessories Illustration Sheet and Catalog Number

Discount Schedule: C2
Subclass: DSO

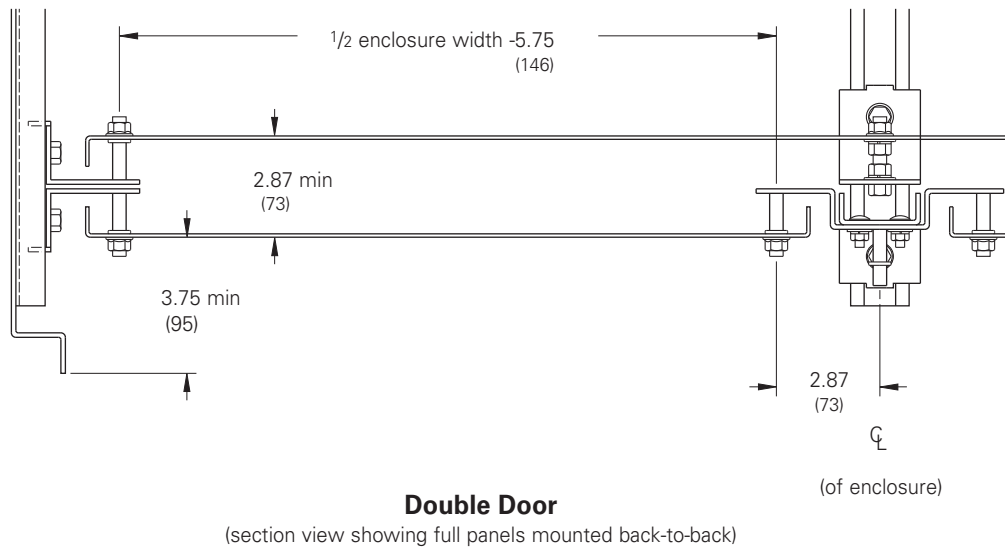
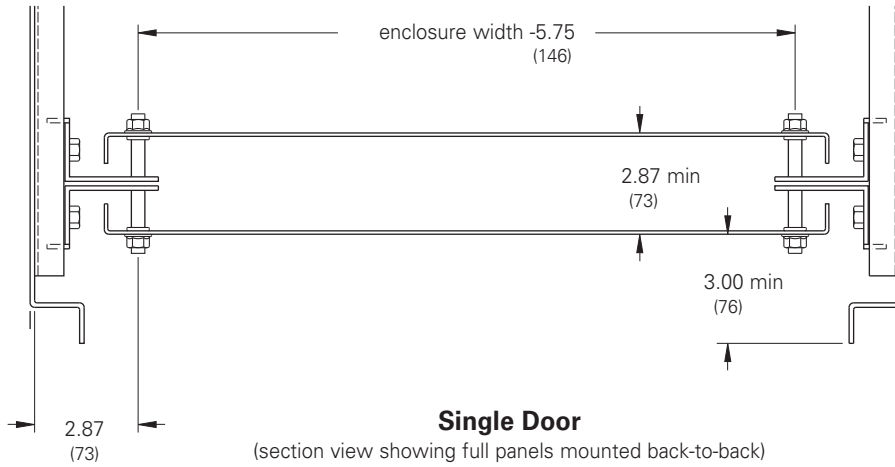
Miscellaneous Accessories

Catalog Number	Description	Illustration	Quantity
AFSBRKT1	Panel mounting side bracket	1	1
AFCBRKT3	Panel mounting center bracket	2	3
AFCMH3	Channel mounting hardware	3	3
AFPSUP2	Double-door panel support bracket	4	2



Notes: Dimensions are in inches. Millimeters shown are for reference only. Data subject to change without notice.

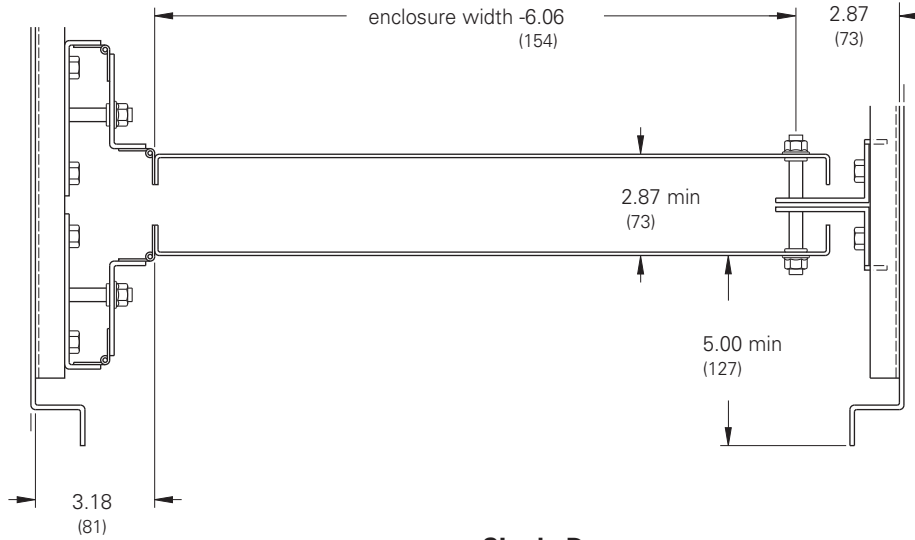
Free-Standing Enclosure Details Type 4X Panel and Enclosure Detail Sheet



Notes: Dimensions are in inches. Millimeters shown are for reference only. Data subject to change without notice.

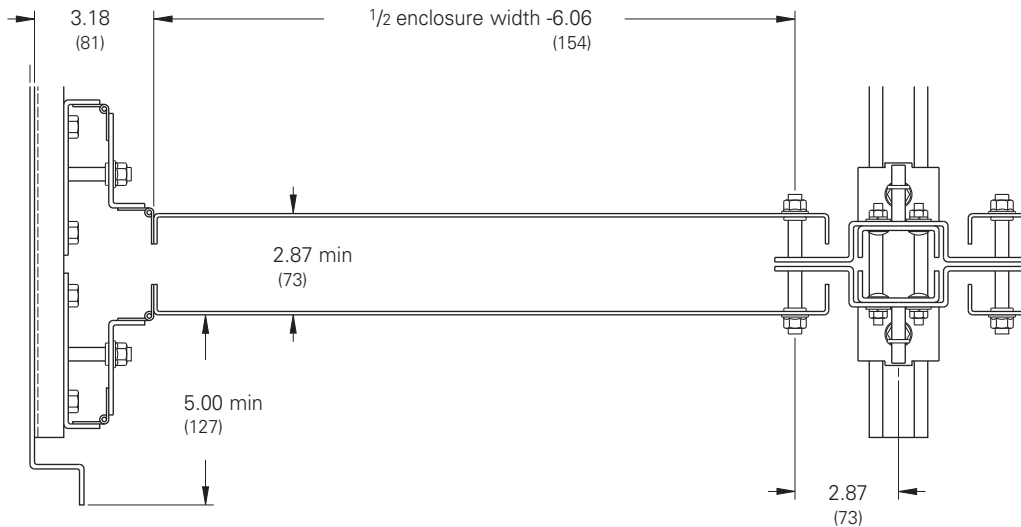
Type 4X Panel Enclosures

Free-Standing Enclosure Details Type 4X Swing Panel and Enclosure Detail Sheet



Single Door

(section view showing swing panels mounted back-to-back)



Double Door

(section view showing swing panels mounted back-to-back)

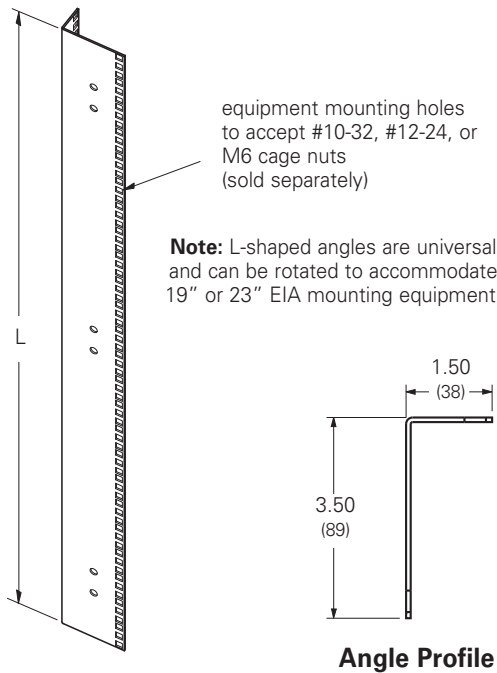
⌀
(of enclosure)

Notes: Dimensions are in inches. Millimeters shown are for reference only. Data subject to change without notice.

Free-Standing Enclosures Accessories Rack Mounting Angles Illustration Sheet and Catalog Number

Discount Schedule: C2
Subclass: DSO

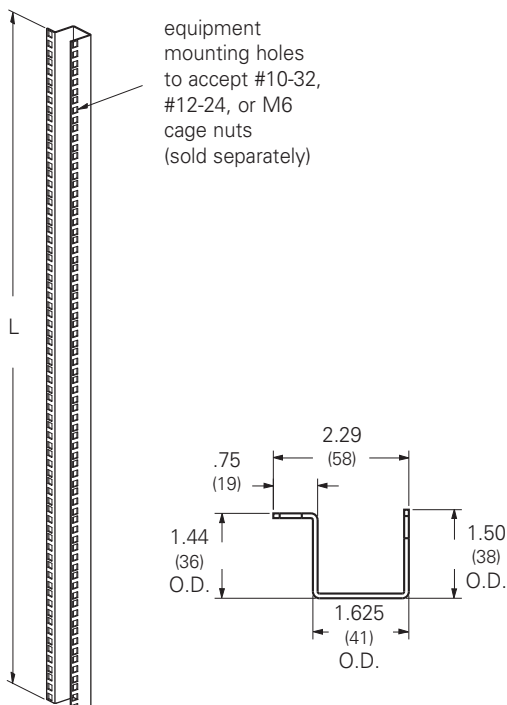
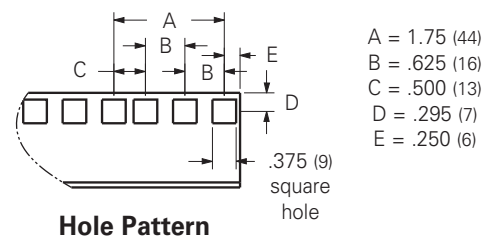
Heavy Duty Rack Mounting Angles are designed for mounting 19" (482mm) equipment in free-standing enclosures. **A Center Post Assembly, "AFxxCPS" on page 245, and a Panel Mounting Center Bracket, "AFCBRT3" on page 248, (each sold separately) are required when mounting in any double door enclosure.** Mounting holes are spaced at the 19" "EIA" Standard and are provided to accept #10-32, #12-24, or M6 cage nuts (sold in packages of 100), on page 252.



'L' Shaped Mounting Angles

Catalog Number	Fits Enclosure Height		L		Mounting U's
	in.	mm	in.	mm	
ES-48RMA-L	48	1219	42.00	1067	24
ES-60RMA-L	60	1524	54.25	1378	31
ES-72RMA-L	72	1829	66.50	1689	38
ES-90RMA-L	90	2286	78.75	2000	45

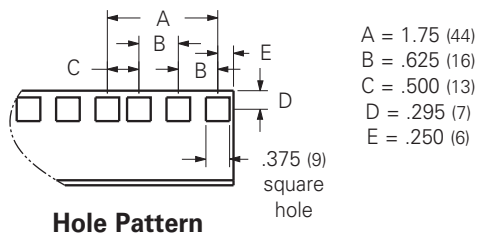
Kit contains two (2) full length 'L' angles, installation instructions, and hardware necessary to mount in single-door enclosures. Yellow Zinc finish.



'U' Shaped Mounting Angles

Catalog Number	Fits Enclosure Height		L		Mounting U's
	in.	mm	in.	mm	
ES-48RMA-U	48	1219	42.00	1067	24
ES-60RMA-U	60	1524	54.25	1378	31
ES-72RMA-U	72	1829	66.50	1689	38
ES-90RMA-U	90	2286	78.75	2000	45

Kit contains two (2) full length 'U' angles, installation instructions, and hardware necessary to mount in single-door enclosures. Yellow Zinc finish.



Notes: Dimensions are in inches. Millimeters shown are for reference only. Data subject to change without notice.

Type 4X Panel Enclosures

Free-Standing Enclosures Accessories Frames & Fasteners

Illustration Sheet and Catalog Number

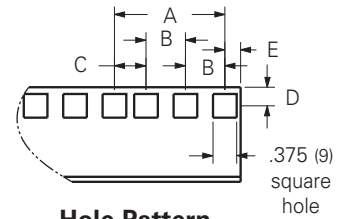
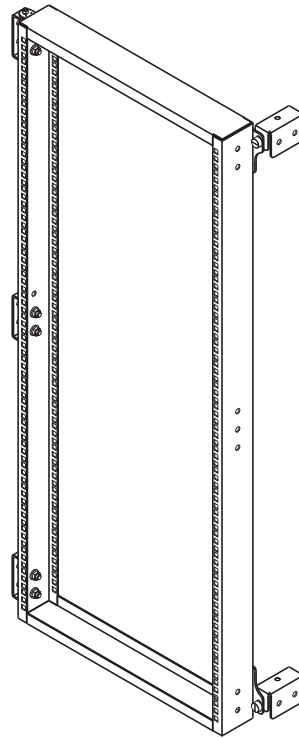
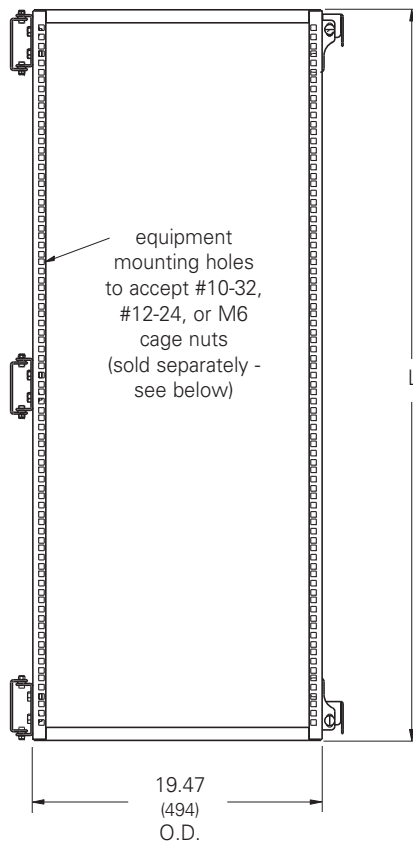
Discount Schedule: C2

Subclass: DSO

Swing-Out Rack Mounted Frame

Catalog Number	Fits Enclosure Height		L	
	in.	mm	in.	mm
ES-48SORMF	48	1219	36.91	937
ES-60SORMF	60	1524	49.16	1248
ES-72SORMF	72	1829	59.66	1515
ES-90SORMF	90	2286	77.18	1960

Heavy Duty Swing-Out Rack Mounting Frames are designed for mounting 19" (482mm) equipment in free standing enclosures. **A Center Post Assembly, "AFxxCPS" on page 245, and a Panel Mounting Center Bracket, "AFCBRKT3" on page 248, (each sold separately) are required when mounting in any double door enclosure.** Mounting holes are spaced per the "EIA" Standard and are provided to accept #10-32, #12-24, or M6 cage nuts (sold in packages of 100). Swing-Out Rack Mounting frames have white powder coated finish.



Hole Pattern

- A = 1.75 (44)
- B = .625 (16)
- C = .500 (13)
- D = .295 (7)
- E = .250 (6)

Screws & Cage Nuts

Catalog Number	Description	Finish
Screws		
E2MA1032PHMS100	#10-32 Phillips	Clear Zinc
E2MA1224PHMS100	#12-24 Phillips	Clear Zinc
E2MAM6PHMS100	M6 Phillips	Yellow Zinc
Cage Nuts		
E2MACN1032100	#10-32 Threads	Clear Zinc
E2MACN1224100	#12-24 Threads	Clear Zinc
E2MACNM6100	M6 Threads	Yellow Zinc

Sold in bags of (100)



Screws



Cage Nuts

Notes: We can provide special sizes, finishes and other modifications. Consult the factory for your special requirements. Dimensions are in inches. Millimeters shown are for reference only. Data subject to change without notice.

Free-Standing Enclosures Accessories Floor Stand & Enclosure Stabilizer Kits Illustration Sheet and Catalog Number

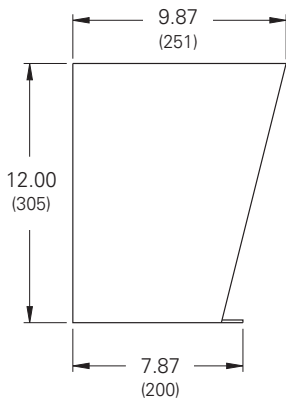
Discount Schedule: C2
Subclass: DSO



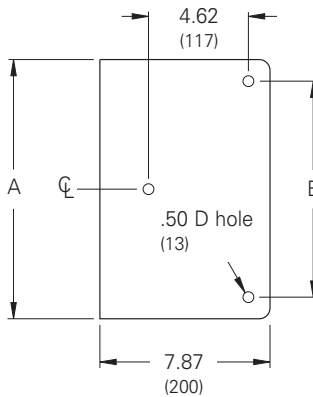
Floor Stand Kits

Catalog Number	A		B		C	
	in.	mm	in.	mm	in.	mm
MFK12XS	12.0	305	10.06	256	-	-
MFK16XS	16.0	406	14.06	357	-	-
MFK18XS	18.0	457	16.06	408	7.00	178
MFK20XS	20.0	508	18.06	459	8.00	203
MFK24XS	24.0	610	22.06	560	10.00	254

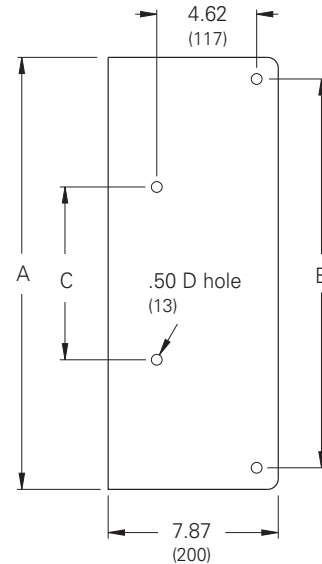
Floor Stand Kits are intended for use with Enviro Shield Type 4X, Type 4 and Type 12 Enclosures where floor support is required. Each kit consists of two (10) gauge legs and hardware for mounting. At the base of each leg is a prepunched plate (see drawing). Steel kits have a gray polyester powder paint finish. Stainless steel kits are fabricated from 304 stainless steel. Standard Floor Stand Kits are 12 inches (305 mm) high. For special heights, special material or non-standard construction consult the factory.



Floor Stand Kit



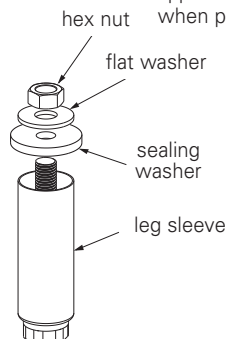
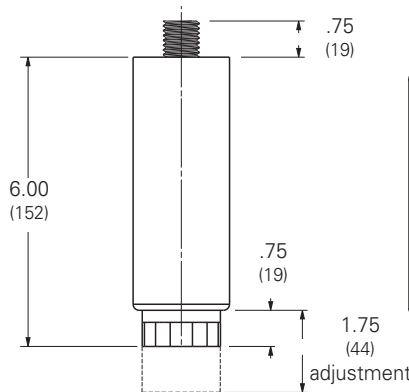
Base 12 - 16 Deep



Base 18 - 24 Deep
Sanitary Leg Kit

Catalog Number	Description
ES-SMFK6	Set of four (4) legs

Kit allows space between enclosure and floor for compliance in NSF environments 1³/₄" (44mm) adjustment provides flexibility in all applications. Four (4) legs per kit, maintains UL/cUL Type 4X rating when properly installed.



Notes: Dimensions are in inches. Millimeters shown are for reference only. Data subject to change without notice.

Type 4X Fiberglass Enclosures



JIC Enclosures Type 4X Lift-Off Screw Cover	256-257
JIC Enclosures Type 4X Hinged Screw Cover	258-259
JIC Enclosures Type 4X Hinged Quick-Release Cover	260-261
JIC Enclosures Type 4X Hinged Quick-Release Window Cover	262-263
JIC Enclosures Type 4X Premier™ Series Hinged Screw Cover	264-265
JIC Enclosures Type 4X Premier™ Series Hinged Quick-Release Cover	266-267
JIC Enclosures Type 4X Premier™ Series Hinged Quick-Release Clear Cover	268-269
JIC Enclosures Type 4X Small Junction	270-271
JIC Enclosures Type 4X Small Junction	272-273
Wall-Mount Enclosures Type 3R Continuous Hinge Cover	274-275
Wall-Mount Enclosures Type 4X Single-Door	276-277
Wall-Mount Enclosures Type 4X Double-Door	278-279
Ground-Mount Enclosures Type 4X Free-Standing Single-Door	280-281
Ground-Mount Enclosures Type 4X Free-Standing Double-Door	282-283
Pushbutton Enclosures Type 4X In-Line 30mm	284-285
Pushbutton Enclosures Type 4X In-Line 22mm	286-287
Pushbutton Enclosures Type 4X Multi-Hole 30mm	288-289
Fiberglass Back Panels	290-291
Fiberglass Accessories	292-294

Type 4X Fiberglass

Type 4X Fiberglass Enclosures

JIC Enclosures Type 4X Lift-Off Screw Cover Data Sheet



Application

- Houses electrical and electronic controls and instruments
- Intended for indoor or outdoor use
- Ideally suited for harsh environments
- Protects against corrosion, windblown dust and rain, splashing water, hose directed water, and prolonged submersion

Standards

- UL/cUL 50 Listed, Type 1, Type 3, Type 4X, Type 6P, Type 12
- Conforms to NEMA Standard for Type 1, Type 3, Type 4X, Type 6P, Type 12
- CSA 22.2, Type 1, Type 3, Type 4X, Type 6P, Type 12
- Temperature Range: -40°F to 250°F (-40°C to 120°C)
- Flammability Rating: UL94-5V
- Self Extinguishing: Non-flame propagating
- Chemical Resistance: (see chart, pages 464 - 467)

Finish

- Gray color

Accessories

- Back Panels (see page 290)
- See accessories (pages 292 - 293)

Construction

- Enclosures are an impact resistant, non-conductive, light-weight hot compression molded fiberglass reinforced polyester
- Poured polyurethane seamless gasket provides watertight, dust-tight environmental seal
- Captive screws provide smooth surfaces
- 300 series stainless steel used on all external hardware
- Molded in flange for ease of mounting
- Stainless steel beaded chain for securing cover after lift off
- Integral mounting bosses utilize threaded brass inserts accepting #10-32 screws for mounting optional panel
- Rounded edges reduce build-up of dust and debris

Discount Schedule: F2

Subclass: G00

Notes: We can provide special modifications. Consult the factory for your special requirements.

JIC Enclosures Type 4X Lift-Off Screw Cover Illustration Sheet and Catalog Number

Enclosure Catalog #	Overall Dimensions		Inside Dimensions		E		F		Hole Dia.		Panel No.				
	H x W x D		A x B x C		in.	mm	in.	mm	in.	mm					
	in.	mm	in.	mm											
644-4XFLC	7.50	5.43 x 4.75	191	138 x 121	5.84	3.85 x 4.45	148	98 x 113	6.75	171	2.00	51	0.31	8	AW64__
664-4XFLC	7.50	7.50 x 4.75	191	191 x 121	5.72	5.72 x 4.45	145	145 x 113	6.75	171	4.00	101	0.31	8	AW66__
864-4XFLC	9.62	7.50 x 4.74	244	191 x 121	7.73	5.74 x 4.45	196	146 x 113	8.88	225	4.00	101	0.31	8	AW86__
884-4XFLC	9.56	9.38 x 4.89	243	238 x 124	7.73	7.73 x 4.64	196	196 x 118	8.75	222	6.00	152	0.31	8	AW88__
1084-4XFLC	11.62	9.41 x 4.25	295	239 x 108	9.73	7.73 x 3.98	247	196 x 101	10.75	273	6.00	152	0.31	8	AW108__
* 1085-4XFLC	11.62	9.37 x 5.06	295	238 x 129	9.73	7.73 x 4.83	247	196 x 123	10.75	273	6.00	152	0.31	8	AW108__
12105-4XFLC	13.56	11.43 x 5.21	344	291 x 132	11.79	9.80 x 4.94	299	249 x 125	12.75	324	8.00	203	0.31	8	AW1210__
12126-4XFLC	13.56	13.38 x 6.36	344	340 x 161	11.70	11.70 x 6.11	297	297 x 155	12.75	324	10.00	254	0.31	8	AW1212__
1476-4XFLC	15.87	8.75 x 6.81	403	222 x 173	14.00	7.00 x 6.56	356	178 x 167	15.00	381	5.00	127	0.31	8	AW147__
14126-4XFLC	15.50	13.50 x 6.25	394	343 x 159	13.53	11.55 x 5.94	344	293 x 151	14.62	371	10.00	254	0.31	8	AW1412__
16146-4XFLC	17.53	15.46 x 6.23	445	393 x 158	15.63	13.60 x 5.94	397	345 x 151	16.75	425	12.00	305	0.31	8	AW1614__
18168-4XFLC	19.62	17.61 x 8.82	498	447 x 224	17.69	15.69 x 8.45	449	399 x 215	18.88	479	12.00	305	0.31	8	AW1816__
20168-4XFLC	22.00	17.68 x 8.83	559	449 x 224	19.72	15.72 x 8.45	501	399 x 215	21.25	540	10.00	254	0.31	8	AW2016__J

Enclosure Catalog #	Dimensions									
	J		K		L		M		N	
	in.	mm	in.	mm	in.	mm	in.	mm	in.	mm
644-4XFLC	4.00	101	4.25	108	2.25	57	0.25	6	7.39	188
664-4XFLC	4.00	101	4.25	108	4.25	108	0.25	6	7.52	191
864-4XFLC	4.00	101	6.25	159	4.25	108	0.25	6	9.50	242
884-4XFLC	4.06	103	6.25	159	6.25	159	0.25	6	9.37	238
1084-4XFLC	3.50	89	8.25	209	6.25	159	0.25	6	11.35	288
* 1085-4XFLC	4.37	111	8.25	209	6.25	159	0.25	6	11.37	289
12105-4XFLC	4.50	114	10.25	260	8.25	209	0.25	6	13.41	341
12126-4XFLC	5.53	140	10.25	260	10.25	260	0.25	6	13.38	340
1476-4XFLC	6.12	156	12.25	311	5.25	133	0.25	6	15.75	400
14126-4XFLC	5.37	137	12.25	311	10.25	260	0.25	6	15.47	393
16146-4XFLC	5.36	136	14.25	362	12.25	311	0.25	6	17.45	443
18168-4XFLC	7.99	203	16.25	413	14.25	362	0.25	6	19.61	498
20168-4XFLC	8.00	203	18.25	464	14.25	362	0.25	6	21.68	551

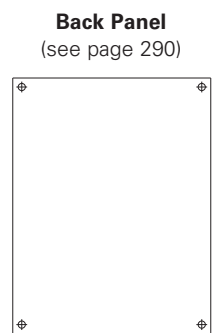
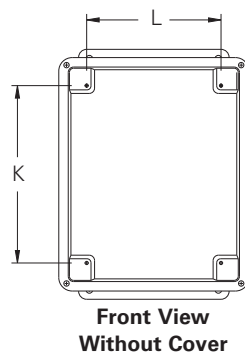
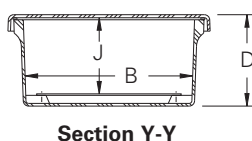
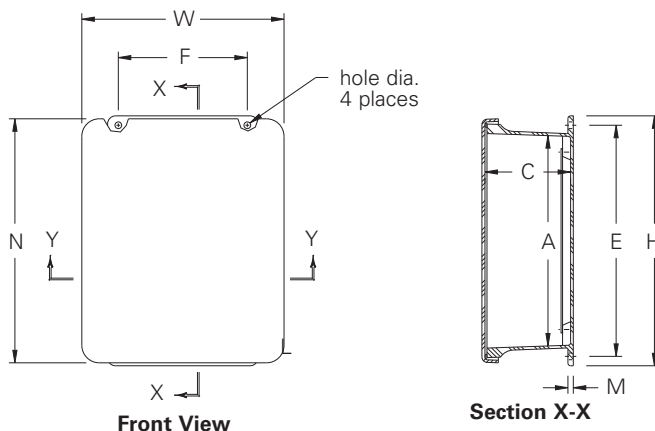
* Crowned Cover

Panel Finishes

Example: AW108__

Insert for __

P = Carbon Steel
SP = Stainless Steel
AP = Aluminum



Notes: Dimensions are in inches. Millimeters shown are for reference only. Data subject to change without notice.

Type 4X Fiberglass Enclosures

JIC Enclosures Type 4X Hinged Screw Cover Data Sheet



Application

- Houses electrical and electronic controls and instruments
- Intended for indoor or outdoor use
- Ideally suited for harsh environments
- Protects against corrosion, windblown dust and rain, splashing water, hose directed water, and prolonged submersion

Standards

- UL/cUL 50 Listed, Type 1, Type 3, Type 4X, Type 6P, Type 12
- Conforms to NEMA Standard for Type 1, Type 3, Type 4X, Type 6P, Type 12
- CSA 22.2, Type 1, Type 3, Type 4X, Type 6P, Type 12
- Temperature Range: -40°F to 250°F (-40°C to 120°C)
- Flammability Rating: UL94-5V
- Self Extinguishing: Non-flame propagating
- Chemical Resistance: (see chart, pages 464 - 467)

Finish

- Gray color

Accessories

- Back Panels (see page 290)
- See accessories (pages 292 - 293)

Construction

- Enclosures are an impact resistant, non-conductive, light-weight hot compression molded fiberglass reinforced polyester
- Poured polyurethane seamless gasket provides watertight, dust-tight environmental seal
- Captive screws provide smooth surfaces
- 300 series stainless steel used on all external hardware
- Integral flange molded in place for ease of mounting
- Integral mounting bosses utilize threaded brass inserts accepting #10-32 screws for mounting optional panel
- Rounded edges reduce build-up of dust and debris
- Full length stainless steel hinged cover

Discount Schedule: F2

Subclass: G00

Notes: We can provide special modifications. Consult the factory for your special requirements.

JIC Enclosures Type 4X Hinged Screw Cover Illustration Sheet and Catalog Number

Enclosure Catalog #	Overall Dimensions		Inside Dimensions		E		F		Hole Dia.		Panel No.
	H x W x D		A x B x C		in.	mm	in.	mm	in.	mm	
	in.	mm	in.	mm							
644-4XFCHSC	7.50 x 5.43 x 4.75	191 x 138 x 121	5.84 x 3.85 x 4.45	148 x 98 x 113	6.75	171	2.00	51	0.31	8	AW64__
664-4XFCHSC	7.50 x 7.50 x 4.75	191 x 191 x 121	5.72 x 5.72 x 4.45	145 x 145 x 113	6.75	171	4.00	101	0.31	8	AW66__
864-4XFCHSC	9.62 x 7.50 x 4.74	244 x 191 x 121	7.73 x 5.74 x 4.45	196 x 146 x 113	8.88	225	4.00	101	0.31	8	AW86__
884-4XFCHSC	9.56 x 9.38 x 4.89	243 x 238 x 124	7.73 x 7.73 x 4.64	196 x 196 x 119	8.75	222	6.00	152	0.31	8	AW88__
1084-4XFCHSC	11.62 x 9.41 x 4.25	295 x 239 x 108	9.73 x 7.73 x 3.98	247 x 196 x 101	10.75	273	6.00	152	0.31	8	AW108__
* 1085-4XFCHSC	11.62 x 9.37 x 5.06	295 x 238 x 129	9.73 x 7.73 x 4.83	247 x 196 x 123	10.75	273	6.00	152	0.31	8	AW108__
12105-4XFCHSC	13.56 x 11.43 x 5.21	344 x 291 x 132	11.79 x 9.80 x 4.94	299 x 249 x 125	12.75	324	8.00	203	0.31	8	AW1210__
12126-4XFCHSC	13.56 x 13.38 x 6.36	344 x 340 x 161	11.70 x 11.70 x 6.11	297 x 297 x 155	12.75	324	10.00	254	0.31	8	AW1212__
1476-4XFCHSC	15.87 x 8.75 x 6.81	403 x 222 x 173	14.00 x 7.00 x 6.56	356 x 178 x 167	15.00	381	5.00	127	0.31	8	AW147__
14126-4XFCHSC	15.50 x 13.50 x 6.25	394 x 343 x 159	13.53 x 11.55 x 5.94	344 x 293 x 151	14.62	371	10.00	254	0.31	8	AW1412__
16146-4XFCHSC	17.53 x 15.46 x 6.23	445 x 393 x 158	15.63 x 13.60 x 5.94	397 x 345 x 151	16.75	425	12.00	305	0.31	8	AW1614__
18168-4XFCHSC	19.62 x 17.61 x 8.82	498 x 447 x 224	17.69 x 15.69 x 8.45	449 x 399 x 215	18.88	479	12.00	305	0.31	8	AW1816__
20168-4XFCHSC	22.00 x 17.68 x 8.83	559 x 449 x 224	19.72 x 15.72 x 8.45	501 x 399 x 215	21.25	540	10.00	254	0.31	8	AW2016__

Enclosure Catalog #	Dimensions									
	J		K		L		M		N	
	in.	mm	in.	mm	in.	mm	in.	mm	in.	mm
644-4XFCHSC	4.00	101	4.25	108	2.25	57	0.25	6	7.39	188
664-4XFCHSC	4.00	101	4.25	108	4.25	108	0.25	6	7.52	191
864-4XFCHSC	4.00	101	6.25	159	4.25	108	0.25	6	9.50	242
884-4XFCHSC	4.06	103	6.25	159	6.25	159	0.25	6	9.37	238
1084-4XFCHSC	3.50	89	8.25	209	6.25	159	0.25	6	11.35	288
* 1085-4XFCHSC	4.37	111	8.25	209	6.25	159	0.25	6	11.37	289
12105-4XFCHSC	4.50	114	10.25	260	8.25	209	0.25	6	13.41	341
12126-4XFCHSC	5.53	140	10.25	260	10.25	260	0.25	6	13.38	340
1476-4XFCHSC	6.12	156	12.25	311	5.25	133	0.25	6	15.75	400
14126-4XFCHSC	5.37	137	12.25	311	10.25	260	0.25	6	15.47	393
16146-4XFCHSC	5.36	136	14.25	362	12.25	311	0.25	6	17.45	443
18168-4XFCHSC	7.99	203	16.25	413	14.25	362	0.25	6	19.61	498
20168-4XFCHSC	8.00	203	18.25	464	14.25	362	0.25	6	21.68	551

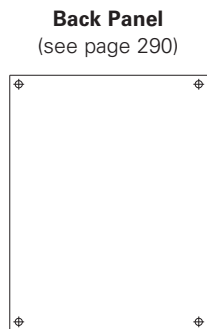
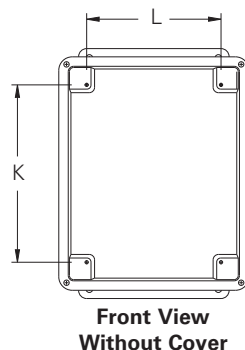
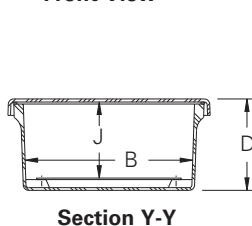
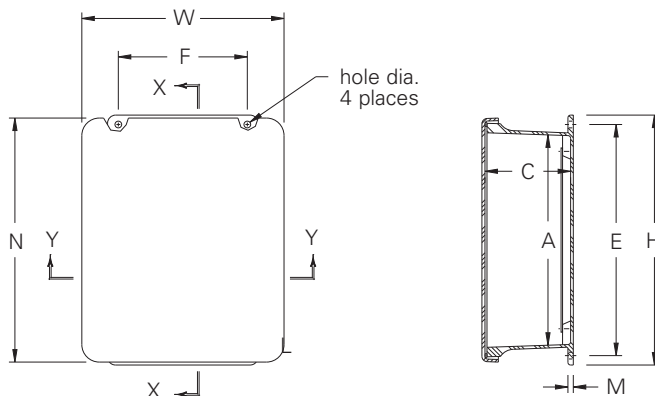
* Crowned Cover

Panel Finishes

Example: AW108__

Insert for __

P = Carbon Steel
SP = Stainless Steel
AP = Aluminum



Notes: Dimensions are in inches. Millimeters shown are for reference only. Data subject to change without notice.

Type 4X Fiberglass Enclosures

JIC Enclosures Type 4X Hinged Quick-Release Cover Data Sheet



Application

- Houses electrical and electronic controls and instruments
- Intended for indoor or outdoor use
- Ideally suited for harsh environments
- Protects against corrosion, windblown dust and rain, splashing water, hose directed water, and prolonged submersion

Standards

- UL/cUL 50 Listed, Type 1, Type 3, Type 4X, Type 6P, Type 12
- Conforms to NEMA Standard for Type 1, Type 3, Type 4X, Type 6P, Type 12
- CSA 22.2, Type 1, Type 3, Type 4X, Type 6P, Type 12
- Temperature Range: -40°F to 250°F (-40°C to 120°C)
- Flammability Rating: UL94-5V
- Self Extinguishing: Non-flame propagating
- Chemical Resistance: (see chart, pages 464 - 467)

Finish

- Gray color

Accessories

- Back Panels (see page 290)
- See accessories (pages 292 - 293)

Construction

- Enclosures are an impact resistant, non-conductive, light-weight hot compression molded fiberglass reinforced polyester
- Poured polyurethane seamless gasket provides watertight, dust-tight environmental seal
- Captive screws provide smooth surfaces
- 300 series stainless steel used on all external hardware
- Integral flange molded in place for ease of mounting
- Integral mounting bosses utilize threaded brass inserts accepting #10-32 screws for mounting optional panel
- Rounded edges reduce build-up of dust and debris
- Full length stainless steel hinged cover
- Padlocking latches provide quick access and optional closure locking (padlock not included)

Discount Schedule: F2

Subclass: G00

Notes: We can provide special modifications. Consult the factory for your special requirements.

JIC Enclosures Type 4X Hinged Quick-Release Cover Illustration Sheet and Catalog Number

Enclosure Catalog #	Overall Dimensions		Inside Dimensions		E		F		Hole Dia.		Panel No.
	H x W x D		A x B x C		in.	mm	in.	mm	in.	mm	
	in.	mm	in.	mm							
644-4XFCHQRC	7.50 x 5.43 x 4.75	191 x 138 x 121	5.84 x 3.85 x 4.45	148 x 98 x 113	6.75	171	2.00	51	0.31	8	AW64__
664-4XFCHQRC	7.50 x 7.50 x 4.75	191 x 191 x 121	5.72 x 5.72 x 4.45	145 x 145 x 113	6.75	171	4.00	101	0.31	8	AW66__
864-4XFCHQRC	9.62 x 7.50 x 4.74	244 x 191 x 121	7.73 x 5.74 x 4.45	196 x 146 x 113	8.88	225	4.00	101	0.31	8	AW86__
884-4XFCHQRC	9.56 x 9.38 x 4.87	243 x 238 x 123	7.73 x 7.73 x 4.62	196 x 196 x 117	8.75	222	6.00	152	0.31	8	AW88__
1084-4XFCHQRC	11.62 x 9.41 x 4.25	295 x 239 x 108	9.73 x 7.73 x 3.98	247 x 196 x 101	10.75	273	6.00	152	0.31	8	AW108__
* 1085-4XFCHQRC	11.62 x 9.37 x 5.06	295 x 238 x 129	9.73 x 7.73 x 4.83	247 x 196 x 123	10.75	273	6.00	152	0.31	8	AW108__
12105-4XFCHQRC	13.56 x 11.43 x 5.21	344 x 291 x 132	11.79 x 9.80 x 4.94	299 x 249 x 125	12.75	324	8.00	203	0.31	8	AW1210__
12126-4XFCHQRC	13.56 x 13.38 x 6.36	344 x 340 x 161	11.70 x 11.70 x 6.11	297 x 297 x 155	12.75	324	10.00	254	0.31	8	AW1212__
1476-4XFCHQRC	15.87 x 8.75 x 6.81	403 x 222 x 173	14.00 x 7.00 x 6.56	356 x 178 x 167	15.00	381	5.00	127	0.31	8	AW147__
14126-4XFCHQRC	15.50 x 13.50 x 6.25	394 x 343 x 159	13.53 x 11.55 x 5.94	344 x 293 x 151	14.62	371	10.00	254	0.31	8	AW1412__
16146-4XFCHQRC	17.53 x 15.46 x 6.23	445 x 393 x 158	15.63 x 13.60 x 5.94	397 x 345 x 151	16.75	425	12.00	305	0.31	8	AW1614__
18168-4XFCHQRC	19.62 x 17.61 x 8.82	498 x 447 x 224	17.69 x 15.69 x 8.45	449 x 399 x 215	18.88	479	12.00	305	0.31	8	AW1816__
20168-4XFCHQRC	22.00 x 17.68 x 8.83	559 x 449 x 224	19.72 x 15.72 x 8.45	501 x 399 x 215	21.25	540	10.00	254	0.31	8	AW2016__J

Enclosure Catalog #	Dimensions									
	J		K		L		M		N	
	in.	mm	in.	mm	in.	mm	in.	mm	in.	mm
644-4XFCHQRC	4.00	101	4.25	108	2.25	57	0.25	6	7.39	188
664-4XFCHQRC	4.00	101	4.25	108	4.25	108	0.25	6	7.52	191
864-4XFCHQRC	4.00	101	6.25	159	4.25	108	0.25	6	9.50	242
884-4XFCHQRC	3.98	101	6.25	159	6.25	159	0.25	6	9.38	238
1084-4XFCHQRC	3.50	89	8.25	209	6.25	159	0.25	6	11.35	288
* 1085-4XFCHQRC	4.37	111	8.25	209	6.25	159	0.25	6	11.37	289
12105-4XFCHQRC	4.50	114	10.25	260	8.25	209	0.25	6	13.41	341
12126-4XFCHQRC	5.53	140	10.25	260	10.25	260	0.25	6	13.38	340
1476-4XFCHQRC	6.12	156	12.25	311	5.25	133	0.25	6	15.75	400
14126-4XFCHQRC	5.37	137	12.25	311	10.25	260	0.25	6	15.47	393
16146-4XFCHQRC	5.36	136	14.25	362	12.25	311	0.25	6	17.45	443
18168-4XFCHQRC	7.99	203	16.25	413	14.25	362	0.25	6	19.61	498
20168-4XFCHQRC	8.00	203	18.25	464	14.25	362	0.25	6	21.68	551

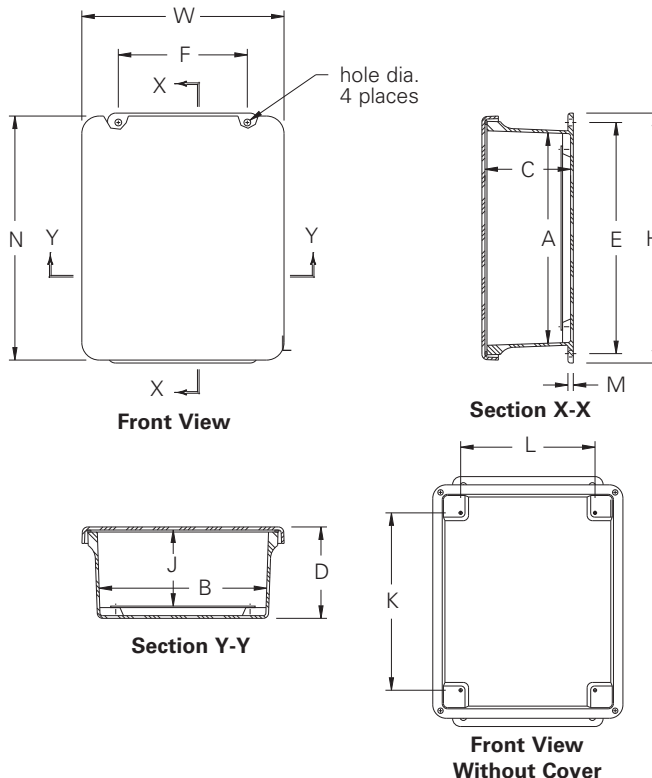
* Crowned Cover

Panel Finishes

Example: AW108__

Insert for __

P = Carbon Steel
SP = Stainless Steel
AP = Aluminum



Back Panel
(see page 290)



Notes: Dimensions are in inches. Millimeters shown are for reference only. Data subject to change without notice.

Type 4X Fiberglass Enclosures

JIC Enclosures Type 4X Hinged Quick-Release Window Cover Data Sheet



Application

- Houses electrical and electronic controls and instruments
- Intended for indoor or outdoor use
- Ideally suited for harsh environments
- Protects against corrosion, windblown dust and rain, splashing water, hose directed water, and prolonged submersion

Standards

- UL/cUL 50 Listed, Type 1, Type 3, Type 4X, Type 6P, Type 12
- Conforms to NEMA Standard for Type 1, Type 3, Type 4X, Type 6P, Type 12
- CSA 22.2, Type 1, Type 3, Type 4X, Type 6P, Type 12
- Temperature Range: -40°F to 250°F (-40°C to 120°C)
- Flammability Rating: UL94-5V
- Self Extinguishing: Non-flame propagating
- Chemical Resistance: (see chart, pages 464 - 467)

Finish

- Gray color

Accessories

- Back Panels (see page 290)
- See accessories (pages 292 - 293)

Construction

- Enclosures are an impact resistant, non-conductive, light-weight hot compression molded fiberglass reinforced polyester
- Poured polyurethane seamless gasket provides watertight, dust-tight environmental seal
- Captive screws provide smooth surfaces
- 300 series stainless steel used on all external hardware
- Integral flange molded in place for ease of mounting
- Integral mounting bosses utilize threaded brass inserts accepting #10-32 screws for mounting optional panel
- Rounded edges reduce build-up of dust and debris
- Full length stainless steel hinged cover
- Padlocking latches provide quick access and optional closure locking (padlock not included)
- Window utilizes a scratch resistant UVA acrylic material to provide internal component visibility

Discount Schedule: F2

Subclass: G00

Notes: We can provide special modifications. Consult the factory for your special requirements.

JIC Enclosures Type 4X Hinged Quick-Release Window Cover Illustration Sheet and Catalog Number

Enclosure Catalog #	Overall Dimensions		Inside Dimensions		Window Area (Maximum)		Mtg. Dimension				Panel No.						
	H x W x D		A x B x C		(Maximum)		E		F								
	in.	mm	in.	mm	in.	mm	in.	mm	in.	mm							
644-4XFCHQRCW	7.50	5.43 x 4.75	191	138 x 121	5.84	3.85 x 4.45	148	98 x 113	4.25	2.25	108	57	6.75	171	2.00	51	AW64__
664-4XFCHQRCW	7.50	7.50 x 4.75	191	191 x 121	5.72	5.72 x 4.45	145	145 x 113	4.25	4.25	108	108	6.75	171	4.00	101	AW66__
864-4XFCHQRCW	9.62	7.50 x 4.74	244	191 x 121	7.73	5.74 x 4.45	196	146 x 113	6.25	4.25	159	108	8.88	225	4.00	101	AW86__
1084-4XFCHQRCW	11.62	9.41 x 4.25	295	239 x 108	9.73	7.73 x 3.98	247	196 x 101	8.25	6.25	210	159	10.75	273	6.00	152	AW108__
* 1085-4XFCHQRCW	11.62	9.37 x 5.06	295	238 x 129	9.73	7.73 x 4.83	247	196 x 123	8.25	6.25	210	159	10.75	273	6.00	152	AW108__
12105-4XFCHQRCW	13.56	11.43 x 5.21	344	291 x 132	11.79	9.80 x 4.94	299	249 x 125	10.25	8.25	260	210	12.75	324	8.00	203	AW1210__
1476-4XFCHQRCW	15.87	8.75 x 6.81	403	222 x 173	14.00	7.00 x 6.56	356	178 x 167	12.75	5.75	324	146	15.00	381	5.00	127	AW147__
14126-4XFCHQRCW	15.50	13.50 x 6.25	394	343 x 159	13.53	11.55 x 5.94	344	293 x 151	12.25	10.25	311	260	14.62	371	10.00	254	AW1412__
16146-4XFCHQRCW	17.53	15.46 x 6.23	445	393 x 158	15.63	13.60 x 5.94	397	345 x 151	14.25	12.25	362	311	16.75	425	12.00	305	AW1614__
18168-4XFCHQRCW	19.62	17.61 x 8.82	498	447 x 224	17.69	15.69 x 8.45	449	399 x 215	16.25	14.25	413	362	18.88	479	12.00	305	AW1816__
20168-4XFCHQRCW	22.00	17.68 x 8.83	559	449 x 224	19.72	15.72 x 8.45	501	399 x 215	18.25	14.25	464	362	21.25	540	10.00	254	AW2016__

* Crowned Cover

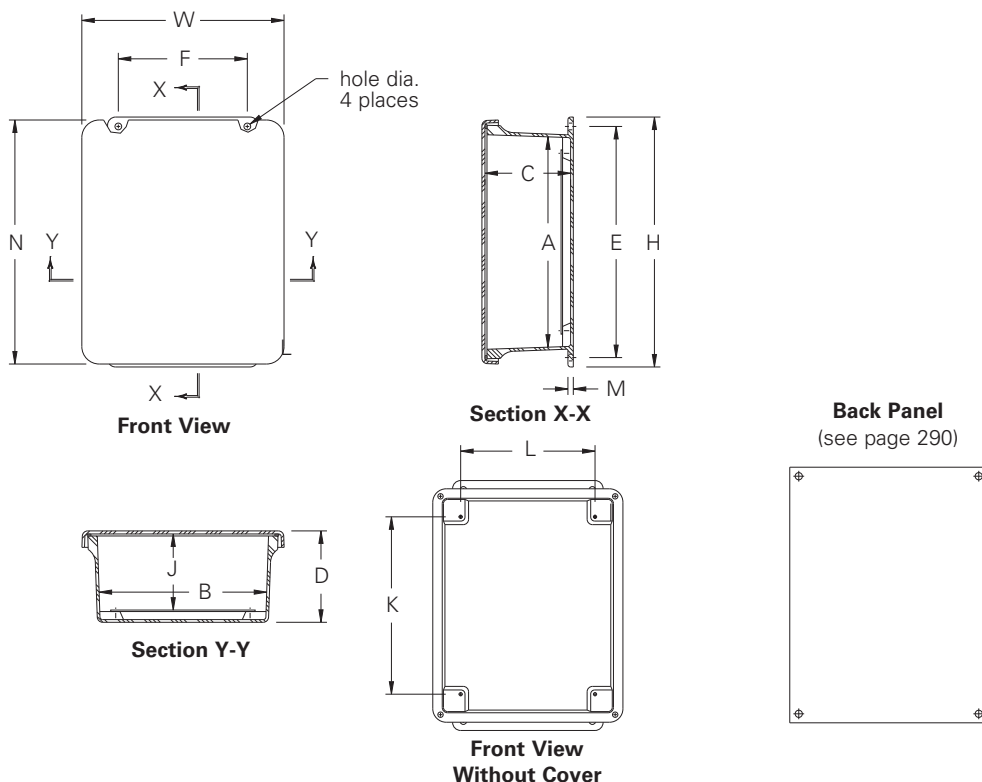
Enclosure Catalog #	Hole Dia.		Dimensions									
	in.	mm	J		K		L		M		N	
			in.	mm	in.	mm	in.	mm	in.	mm	in.	mm
644-4XFCHQRCW	0.31	8	4.00	101	4.25	108	2.25	57	0.25	6	7.39	188
664-4XFCHQRCW	0.31	8	4.00	101	4.25	108	4.25	108	0.25	6	7.52	191
864-4XFCHQRCW	0.31	8	4.00	101	6.25	159	4.25	108	0.25	6	9.50	242
1084-4XFCHQRCW	0.31	8	3.50	89	8.25	209	6.25	159	0.25	6	11.35	288
* 1085-4XFCHQRCW	0.31	8	4.37	111	8.25	209	6.25	159	0.25	6	11.37	289
12105-4XFCHQRCW	0.31	8	4.50	114	10.25	260	8.25	209	0.25	6	13.41	341
1476-4XFCHQRCW	0.31	8	6.12	156	12.25	311	5.25	133	0.25	6	15.75	400
14126-4XFCHQRCW	0.31	8	5.37	137	12.25	311	10.25	260	0.25	6	15.47	393
16146-4XFCHQRCW	0.31	8	5.36	136	14.25	362	12.25	311	0.25	6	17.45	443
18168-4XFCHQRCW	0.31	8	7.99	203	16.25	413	14.25	362	0.25	6	19.61	498
20168-4XFCHQRCW	0.31	8	8.00	203	18.25	464	14.25	362	0.25	6	21.68	551

Panel Finishes

Example: AW108__

Insert for __

P = Carbon Steel
SP = Stainless Steel
AP = Aluminum



Notes: Dimensions are in inches. Millimeters shown are for reference only. Data subject to change without notice.

Type 4X Fiberglass Enclosures

JIC Enclosures Type 4X Premier™ Series Hinged Screw Cover Data Sheet



Application

- Houses electrical and electronic controls and instruments
- Intended for indoor or outdoor use
- Ideally suited for harsh environments
- Protects against corrosion, windblown dust and rain, splashing water, and hose directed water

Standards

- UL/cUL 50 Listed, Type 1, Type 3, Type 3s, Type 4X, Type 12, Type 13
- Conforms to NEMA Standard for Type 1, Type 3, Type 3s, Type 4X, Type 12, Type 13
- CSA 22.2, Type 1, Type 3, Type 3s, Type 4X, Type 12, Type 13
- Temperature Range: -40°F to 250°F (-40°C to 120°C)
- Flammability Rating: UL94-5V
- Self Extinguishing: Non-halogenated, Non-flame propagating
- Chemical Resistance: (see chart, pages 464 - 467)
- NFPA No. 101 Flame Spread, Class A (1)

Finish

- Gray color

Accessories

- Back Panels (see page 290)
- Mounting Foot kits (see page 294)
- See accessories (pages 292 - 293)

Construction

- Enclosures are an impact resistant, non-conductive, light-weight hot compression molded fiberglass reinforced polyester
- Poured polyurethane seamless gasket provides watertight, dust-tight environmental seal
- Captive screws provide smooth surfaces
- 300 series stainless steel used on all external hardware
- Integral mounting bosses utilize threaded brass inserts accepting #10-32 screws for mounting optional panel
- Rounded edges reduce build-up of dust and debris
- Full 180° door opening

Discount Schedule: F2

Subclass: G00

Notes: We can provide special modifications. Consult the factory for your special requirements.

JIC Enclosures Type 4X Premier™ Series Hinged Screw Cover Illustration Sheet and Catalog Number

Enclosure Catalog #	Overall Dimensions		Inside Dimensions		Mtg. Dimension		Optional Feet Mtg.		Panel No.
	H x W x D		A x B x C		P x R		E x F		
	in.	mm	in.	mm	in.	mm	in.	mm	
664-SDF	7.41x7.79x4.31	188x198x109	6.77x6.77x4.06	172x172x103	5.93x4.00	150x101	8.24x4.00	209x101	AW66__
864-SDF	9.41x7.79x4.31	239x198x109	8.77x6.77x4.06	228x172x103	7.91x4.00	201x101	10.21x4.00	259x101	AW86__
884-SDF	9.39x9.76x4.31	238x248x109	8.74x8.74x4.06	222x222x103	7.91x6.00	201x152	10.21x6.00	259x152	AW88__
1086-SDF	11.42x9.79x6.31	290x248x160	10.73x8.73x6.06	272x222x154	9.89x6.00	251x152	12.19x6.00	309x152	AW108__
12106-SDF	13.45x11.83x6.31	341x300x160	12.69x10.69x6.06	322x271x154	11.88x8.00	302x203	14.18x8.00	360x203	AW1210__
14126-SDF	15.49x13.86x6.34	393x352x161	14.72x12.72x6.06	374x323x154	13.91x10.00	353x254	16.21x10.00	412x254	AW1412__
14128-SDF	15.49x13.86x8.34	393x352x212	14.66x12.66x8.06	372x321x205	13.88x10.00	352x254	16.19x10.00	411x254	AW1412__
16148-SDF	17.58x15.96x8.34	446x405x212	16.69x14.69x8.06	424x373x205	15.96x12.00	405x205	18.26x12.00	464x305	AW1614__
181610-SDF	19.77x18.15x10.34	502x461x262	18.63x16.63x10.06	473x422x255	17.94x14.00	455x355	20.24x14.00	514x355	AW1816__
201610-SDF	21.79 x 18.16 x 10.34	553 x 461 x 262	20.63 x 16.63 x 10.06	524 x 422 x 255	19.96 x 14.00	507 x 355	22.26 x 14.00	565 x 355	AW2016__J

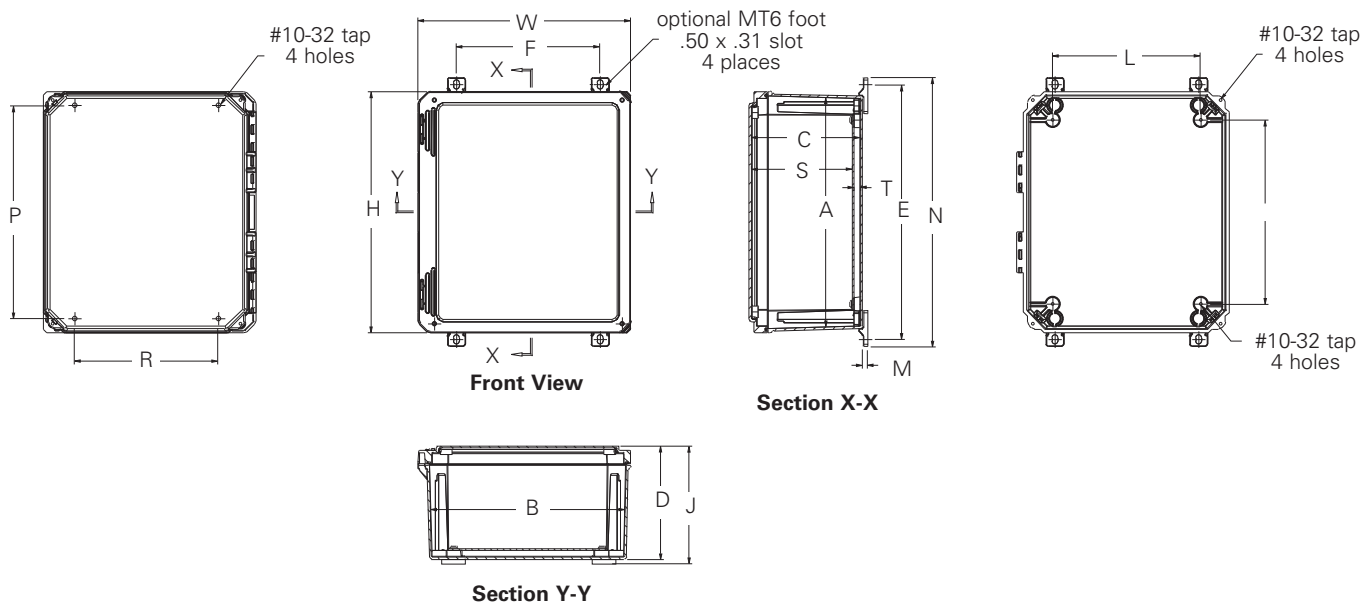
Enclosure Catalog #	Dimensions													
	K		L		S		T		N		J		M	
	in.	mm	in.	mm	in.	mm	in.	mm	in.	mm	in.	mm	in.	mm
664-SDF	4.25	108	4.25	108	3.60	91	0.38	9.6	9.02	229	4.56	116	0.25	6.35
864-SDF	6.25	159	4.25	108	3.60	91	0.38	9.6	10.98	279	4.56	116	0.25	6.35
884-SDF	6.25	159	6.25	159	3.60	91	0.38	9.6	10.98	279	4.56	116	0.25	6.35
1086-SDF	8.25	210	6.25	159	5.60	142	0.38	9.6	12.96	329	6.56	167	0.25	6.35
12106-SDF	10.25	260	8.25	210	5.60	142	0.38	9.6	14.95	380	6.56	167	0.25	6.35
14126-SDF	12.25	311	10.25	260	5.60	142	0.38	9.6	16.98	431	6.59	167	0.25	6.35
14128-SDF	12.25	311	10.25	260	7.60	193	0.38	9.6	16.96	431	8.59	218	0.25	6.35
16148-SDF	14.25	362	12.25	311	7.60	193	0.38	9.6	19.04	483	8.59	218	0.25	6.35
181610-SDF	16.25	413	14.25	362	9.60	244	0.38	9.6	21.02	534	10.59	269	0.25	6.35
201610-SDF	18.25	463	14.25	362	9.59	244	0.38	9.6	23.04	585	10.59	269	0.25	6.35

Panel Finishes

Example: AW108__

Insert for __

P = Carbon Steel
SP = Stainless Steel
AP = Aluminum



Notes: Dimensions are in inches. Millimeters shown are for reference only. Data subject to change without notice.

Type 4X Fiberglass Enclosures

JIC Enclosures Type 4X Premier™ Series Hinged Quick-Release Cover Data Sheet



Application

- Houses electrical and electronic controls and instruments
- Intended for indoor or outdoor use
- Ideally suited for harsh environments
- Protects against corrosion, windblown dust and rain, splashing water, and hose directed water

Standards

- UL/cUL 50 Listed, Type 1, Type 3, Type 3s, Type 4X, Type 12, Type 13
- Conforms to NEMA Standard for Type 1, Type 3, Type 3s, Type 4X, Type 12, Type 13
- CSA 22.2, Type 1, Type 3, Type 3s, Type 4X, Type 12, Type 13
- Temperature Range: -40°F to 250°F (-40°C to 120°C)
- Flammability Rating: UL94-5V
- Window Flammability Rating: UL94V-0
- Self Extinguishing: Non-halogenated, Non-flame propagating
- Chemical Resistance: (see chart, pages 464 - 467)
- NFPA No. 101 Flame Spread, Class A (1)

Finish

- Gray color

Accessories

- Back Panels (see page 290)
- Mounting Foot kits (see page 294)
- See accessories (pages 292 - 293)

Construction

- Enclosures are an impact resistant, non-conductive, light-weight hot compression molded fiberglass reinforced polyester
- Poured polyurethane seamless gasket provides watertight, dust-tight environmental seal
- Captive screws provide smooth surfaces
- 300 series stainless steel used on all external hardware
- Integral mounting bosses utilize threaded brass inserts accepting #10-32 screws for mounting optional panel
- Rounded edges reduce build-up of dust and debris
- Full 180° door opening
- Padlocking latches provide quick access and optional closure locking (padlock not included)
- Flush mounted scratch and abrasion resistant polycarbonate clear cover option provides internal component visibility

Discount Schedule: F2

Subclass: G00

Notes: We can provide special modifications. Consult the factory for your special requirements.

Type 4X Fiberglass Enclosures

JIC Enclosures Type 4X Premier™ Series Hinged Quick-Release Cover Illustration Sheet and Catalog Number

Enclosure Catalog #	Overall Dimensions H x W x D		Inside Dimensions A x B x C		Mtg. Dimension P x R		Optional Feet Mtg. E x F		Panel No.
	in.	mm	in.	mm	in.	mm	in.	mm	
664-SDFQR	7.41 x 7.79 x 4.31	188 x 198 x 109	6.77 x 6.77 x 4.06	172 x 172 x 103	5.93 x 4.00	150 x 101	8.24 x 4.00	209 x 101	AW66__
864-SDFQR	9.41 x 7.79 x 4.31	239 x 198 x 109	8.77 x 6.77 x 4.06	228 x 172 x 103	7.91 x 4.00	201 x 101	10.21 x 4.00	259 x 101	AW86__
884-SDFQR	9.39 x 9.76 x 4.31	238 x 248 x 109	8.74 x 8.74 x 4.06	222 x 222 x 103	7.91 x 6.00	201 x 152	10.21 x 6.00	259 x 152	AW88__
1086-SDFQR	11.42 x 9.79 x 6.31	290 x 248 x 160	10.73 x 8.73 x 6.06	272 x 222 x 154	9.89 x 6.00	251 x 152	12.19 x 6.00	309 x 152	AW108__
12106-SDFQR	13.45 x 11.83 x 6.31	341 x 300 x 160	12.69 x 10.69 x 6.06	322 x 271 x 154	11.88 x 8.00	302 x 203	14.18 x 8.00	360 x 203	AW1210__
14126-SDFQR	15.49 x 13.86 x 6.34	393 x 352 x 161	14.72 x 12.72 x 6.06	374 x 323 x 154	13.91 x 10.00	353 x 254	16.21 x 10.00	412 x 254	AW1412__
14128-SDFQR	15.49 x 13.86 x 8.34	393 x 352 x 212	14.66 x 12.66 x 8.06	372 x 321 x 205	13.88 x 10.00	352 x 254	16.19 x 10.00	411 x 254	AW1412__
16148-SDFQR	17.58 x 15.96 x 8.34	446 x 405 x 212	16.69 x 14.69 x 8.06	424 x 373 x 205	15.96 x 12.00	405 x 205	18.26 x 12.00	464 x 305	AW1614__
181610-SDFQR	19.77 x 18.15 x 10.34	502 x 461 x 262	18.63 x 16.63 x 10.06	473 x 422 x 255	17.94 x 14.00	455 x 355	20.24 x 14.00	514 x 355	AW1816__
201610-SDFQR	21.79 x 18.16 x 10.34	553 x 461 x 262	20.63 x 16.63 x 10.06	524 x 422 x 255	19.96 x 14.00	507 x 355	22.26 x 14.00	565 x 355	AW2016__J

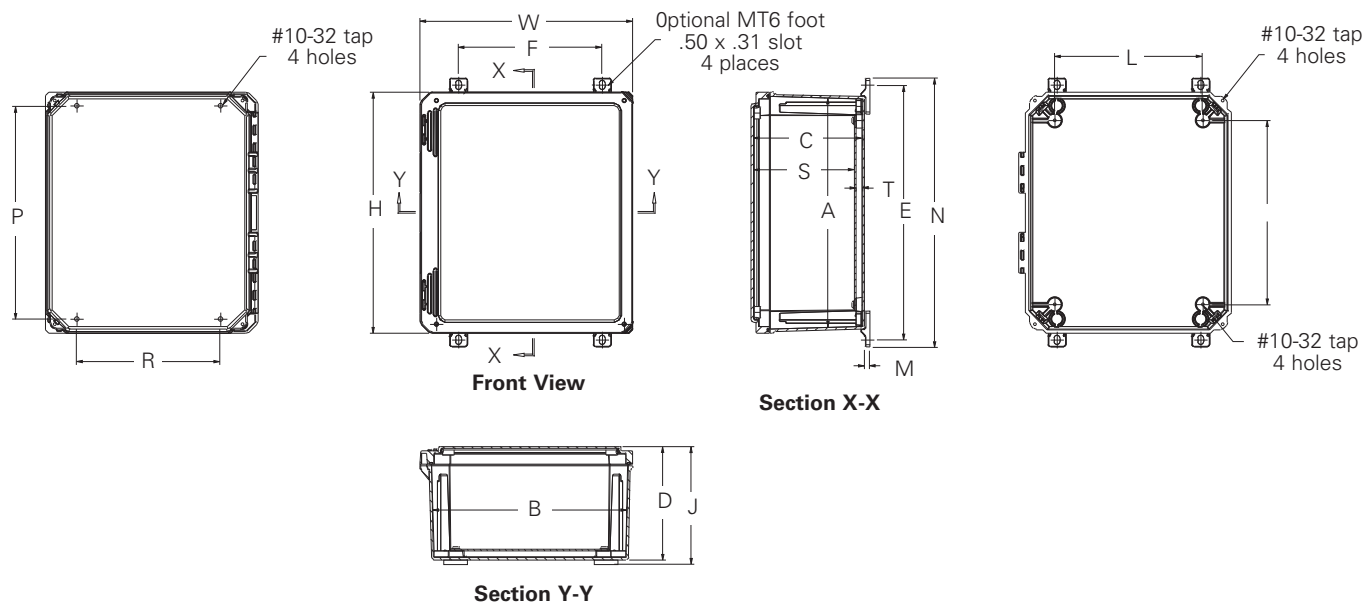
Enclosure Catalog #	Dimensions													
	K		L		S		T		N		M			
	in.	mm	in.	mm	in.	mm	in.	mm	in.	mm	in.	mm		
664-SDFQR	4.25	108	4.25	108	3.60	91	0.38	9.6	9.02	229	4.56	116	0.25	6.35
864-SDFQR	6.25	159	4.25	108	3.60	91	0.38	9.6	10.98	279	4.56	116	0.25	6.35
884-SDFQR	6.25	159	6.25	159	3.60	91	0.38	9.6	10.98	279	4.56	116	0.25	6.35
1086-SDFQR	8.25	210	6.25	159	5.60	142	0.38	9.6	12.96	329	6.56	167	0.25	6.35
12106-SDFQR	10.25	260	8.25	210	5.60	142	0.38	9.6	14.95	380	6.56	167	0.25	6.35
14126-SDFQR	12.25	311	10.25	260	5.60	142	0.38	9.6	16.98	431	6.59	167	0.25	6.35
14128-SDFQR	12.25	311	10.25	260	7.60	193	0.38	9.6	16.96	431	8.59	218	0.25	6.35
16148-SDFQR	14.25	362	12.25	311	7.60	193	0.38	9.6	19.04	483	8.59	218	0.25	6.35
181610-SDFQR	16.25	413	14.25	362	9.60	244	0.38	9.6	21.02	534	10.59	269	0.25	6.35
201610-SDFQR	18.25	463	14.25	362	9.59	244	0.38	9.6	23.04	585	10.59	269	0.25	6.35

Panel Finishes

Example: AW108__

Insert for __

P = Carbon Steel
SP = Stainless Steel
AP = Aluminum



Notes: Dimensions are in inches. Millimeters shown are for reference only. Data subject to change without notice.

Type 4X Fiberglass Enclosures

JIC Enclosures

Type 4X Premier™ Series Hinged Quick-Release Clear Cover

Data Sheet



Application

- Houses electrical and electronic controls and instruments
- Intended for indoor or outdoor use
- Ideally suited for harsh environments
- Protects against corrosion, windblown dust and rain, splashing water, and hose directed water

Standards

- UL/cUL 50 Listed, Type 1, Type 3, Type 3s, Type 4X, Type 12, Type 13
- Conforms to NEMA Standard for Type 1, Type 3, Type 3s, Type 4X, Type 12, Type 13
- CSA 22.2, Type 1, Type 3, Type 3s, Type 4X, Type 12, Type 13
- Temperature Range: -40°F to 250°F (-40°C to 120°C)
- Flammability Rating: UL94-5V
- Window Flammability Rating: UL94V-0
- Self Extinguishing: Non-halogenated, Non-flame propagating
- Chemical Resistance: (see chart, pages 464 - 467)
- NFPA No. 101 Flame Spread, Class A (1)

Finish

- Gray color

Accessories

- Back Panels (see page 290)
- Mounting Foot kits (see page 294)
- See accessories (pages 292 - 293)

Construction

- Enclosures are an impact resistant, non-conductive, light-weight hot compression molded fiberglass reinforced polyester
- Poured polyurethane seamless gasket provides watertight, dust-tight environmental seal
- Captive screws provide smooth surfaces
- 300 series stainless steel used on all external hardware
- Integral mounting bosses utilize threaded brass inserts accepting #10-32 screws for mounting optional panel
- Rounded edges reduce build-up of dust and debris
- Full 180° door opening
- Padlocking latches provide quick access and optional closure locking (padlock not included)
- Flush mounted scratch and abrasion resistant polycarbonate clear cover option provides internal component visibility

Discount Schedule: F2

Subclass: G00

Notes: We can provide special modifications. Consult the factory for your special requirements.

Type 4X Fiberglass Enclosures

JIC Enclosures Type 4X Premier™ Series Hinged Quick-Release Clear Cover Illustration Sheet and Catalog Number

Enclosure Catalog #	Overall Dimensions H x W x D		Inside Dimensions A x B x C		Mtg. Dimension P x R		Optional Feet Mtg. E x F		Panel No.
	in.	mm	in.	mm	in.	mm	in.	mm	
664-SDFQRCC	7.41 x 7.79 x 4.31	188 x 198 x 109	6.77 x 6.77 x 4.06	172 x 172 x 103	5.93 x 4.00	150 x 101	8.24 x 4.00	209 x 101	AW66__
864-SDFQRCC	9.41 x 7.79 x 4.31	239 x 198 x 109	8.77 x 6.77 x 4.06	228 x 172 x 103	7.91 x 4.00	201 x 101	10.21 x 4.00	259 x 101	AW86__
884-SDFQRCC	9.39 x 9.76 x 4.31	238 x 248 x 109	8.74 x 8.74 x 4.06	222 x 222 x 103	7.91 x 6.00	201 x 152	10.21 x 6.00	259 x 152	AW88__
1086-SDFQRCC	11.42 x 9.79 x 6.31	290 x 248 x 160	10.73 x 8.73 x 6.06	272 x 222 x 154	9.89 x 6.00	251 x 152	12.19 x 6.00	309 x 152	AW108__
12106-SDFQRCC	13.45 x 11.83 x 6.31	341 x 300 x 160	12.69 x 10.69 x 6.06	322 x 271 x 154	11.88 x 8.00	302 x 203	14.18 x 8.00	360 x 203	AW1210__
14126-SDFQRCC	15.49 x 13.86 x 6.34	393 x 352 x 161	14.72 x 12.72 x 6.06	374 x 323 x 154	13.91 x 10.00	353 x 254	16.21 x 10.00	412 x 254	AW1412__
14128-SDFQRCC	15.49 x 13.86 x 8.34	393 x 352 x 212	14.66 x 12.66 x 8.06	372 x 321 x 205	13.88 x 10.00	352 x 254	16.19 x 10.00	411 x 254	AW1412__
16148-SDFQRCC	17.58 x 15.96 x 8.34	446 x 405 x 212	16.69 x 14.69 x 8.06	424 x 373 x 205	15.96 x 12.00	405 x 205	18.26 x 12.00	464 x 305	AW1614__

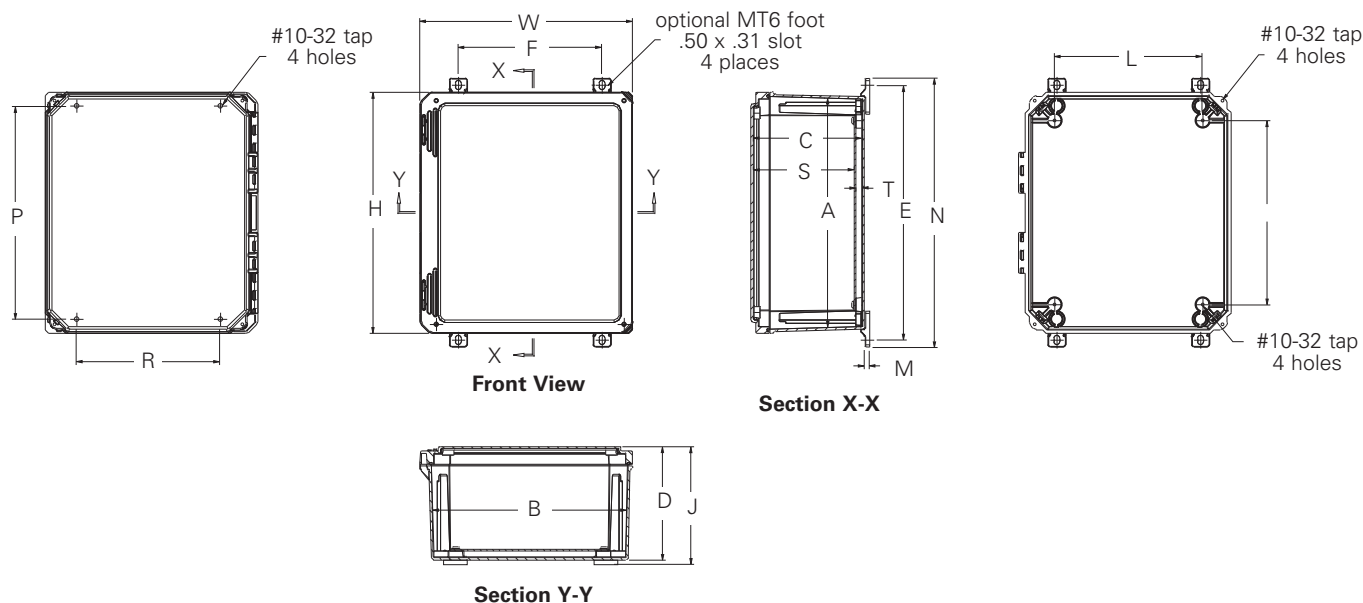
Enclosure Catalog #	Dimensions													
	K		L		S		T		N		J		M	
	in.	mm	in.	mm	in.	mm	in.	mm	in.	mm	in.	mm	in.	mm
664-SDFQRCC	4.25	108	4.25	108	3.60	91	0.38	9.6	9.02	229	4.56	116	0.25	6.35
864-SDFQRCC	6.25	159	4.25	108	3.60	91	0.38	9.6	10.98	279	4.56	116	0.25	6.35
884-SDFQRCC	6.25	159	6.25	159	3.60	91	0.38	9.6	10.98	279	4.56	116	0.25	6.35
1086-SDFQRCC	8.25	210	6.25	159	5.60	142	0.38	9.6	12.96	329	6.56	167	0.25	6.35
12106-SDFQRCC	10.25	260	8.25	210	5.60	142	0.38	9.6	14.95	380	6.56	167	0.25	6.35
14126-SDFQRCC	12.25	311	10.25	260	5.60	142	0.38	9.6	16.98	431	6.59	167	0.25	6.35
14128-SDFQRCC	12.25	311	10.25	260	7.60	193	0.38	9.6	16.96	431	8.59	218	0.25	6.35
16148-SDFQRCC	14.25	362	12.25	311	7.60	193	0.38	9.6	19.04	483	8.59	218	0.25	6.35

Panel Finishes

Example: AW108__

Insert for __

P = Carbon Steel
SP = Stainless Steel
AP = Aluminum



Notes: Dimensions are in inches. Millimeters shown are for reference only. Data subject to change without notice.

Type 4X Fiberglass Enclosures

JIC Enclosures Type 4X Small Junction Data Sheet



Application

- Houses electrical and electronic controls and instruments
- Intended for indoor or outdoor use
- Ideally suited for harsh environments
- Protects against corrosion, windblown dust and rain, splashing water, hose directed water, and prolonged submersion

Standards

- UL/cUL 50 Listed, Type 1, Type 3R, Type 4X, Type 6P, Type 12
- Conforms to NEMA Standard for Type 1, Type 3R, Type 4X, Type 6P, Type 12
- CSA 22.2, Type 1, Type 3R, Type 4X, Type 6P, Type 12
- Temperature Range: -40°F to 250°F (-40°C to 120°C)
- Flammability Rating: UL94-5V
- Self Extinguishing: Non-flame propagating
- Chemical Resistance: (see chart, pages 464 - 467)

Finish

- Gray color

Accessories

- Mounting Foot kits (see page 294)
- See accessories (pages 292 - 293)

Construction

- Enclosures are an impact resistant, non-conductive, light-weight hot compression molded fiberglass reinforced polyester
- Poured polyurethane seamless gasket provides watertight, dust-tight environmental seal
- Recessed captive screws provide smooth surfaces
- 300 series stainless steel used on all external hardware
- Rounded edges reduce build-up of dust and debris

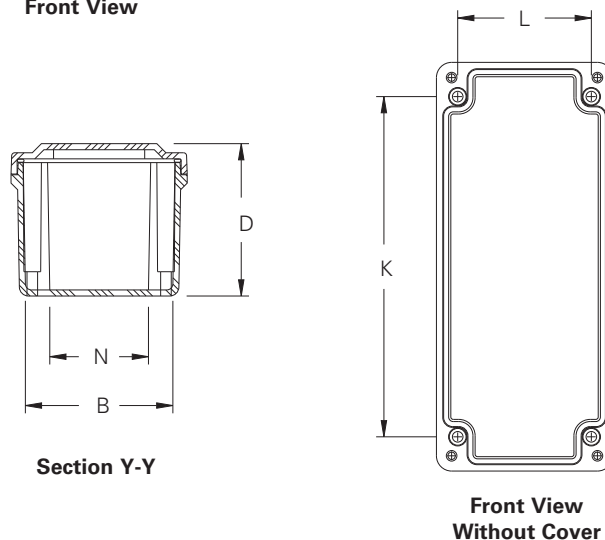
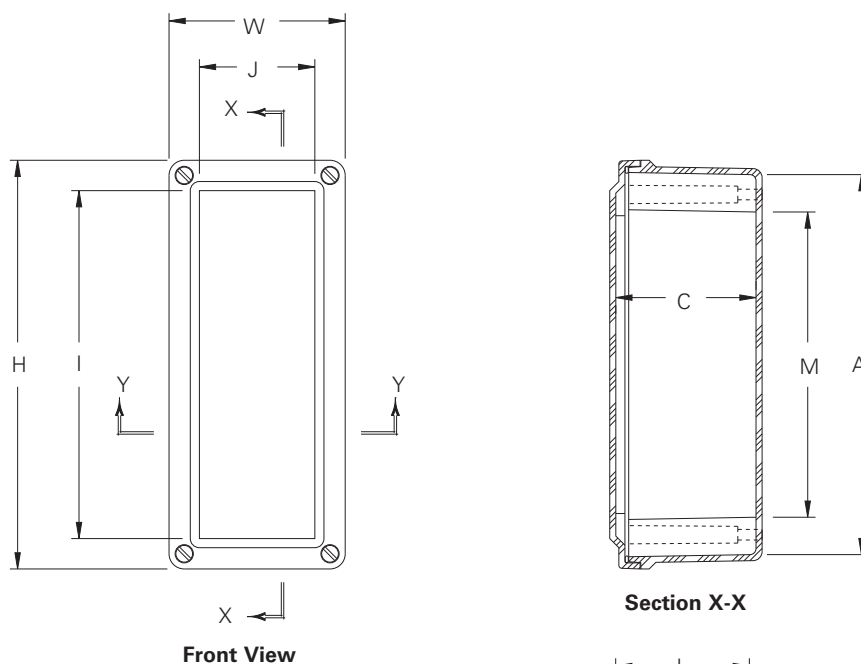
Discount Schedule: F2

Subclass: G00

Notes: We can provide special modifications. Consult the factory for your special requirements.

JIC Enclosures Type 4X Small Junction Illustration Sheet and Catalog Number

Enclosure Catalog #	Overall Dimensions		Inside Dimensions		Dimensions											
	H x W x D		A x B x C		I		J		K		L		M		N	
	in.	mm	in.	mm	in.	mm	in.	mm	in.	mm	in.	mm	in.	mm	in.	mm
332-4XFSC	3.72 x 3.63 x 2.95	95 x 92 x 75	3.13 x 3.03 x 2.70	79 x 77 x 69	3.22	82	2.12	54	2.31	59	2.75	70	1.59	40	2.03	52
532-4XFSC	5.97 x 3.63 x 3.14	152 x 92 x 80	5.38 x 3.03 x 2.87	137 x 77 x 73	5.72	120	2.38	61	4.56	116	2.75	70	3.84	98	2.03	52
644-4XFSC	6.63 x 3.81 x 3.89	168 x 97 x 99	6.00 x 3.19 x 3.63	153 x 81 x 92	5.31	135	2.50	64	4.88	124	2.94	75	4.13	105	2.19	56
832-4XFSC	8.41 x 3.63 x 3.14	214 x 92 x 80	7.82 x 3.03 x 2.87	199 x 77 x 73	7.16	182	2.38	60	7.00	178	2.75	70	6.28	160	2.03	52
844-4XFSC	8.41 x 3.63 x 3.14	225 x 97 x 99	8.26 x 3.19 x 3.63	210 x 81 x 92	7.56	192	2.50	64	7.13	181	2.94	75	6.38	162	2.19	56
932-4XFSC	9.35 x 3.63 x 3.14	237 x 92 x 80	8.75 x 3.03 x 2.87	222 x 77 x 73	8.10	206	2.38	60	7.94	202	2.75	70	7.22	183	2.03	52
1144-4XFSC	11.13 x 3.81 x 3.89	283 x 97 x 99	10.51 x 3.19 x 3.63	267 x 81 x 92	9.81	249	2.50	64	9.37	238	2.94	75	8.63	219	2.19	56
1432-4XFSC	13.78 x 3.63 x 3.14	350 x 92 x 80	13.19 x 3.03 x 2.87	335 x 77 x 73	12.53	318	2.38	60	12.37	314	2.75	70	11.66	296	2.03	52
1732-4XFSC	17.35 x 3.63 x 3.14	441 x 92 x 80	16.75 x 3.03 x 2.87	426 x 77 x 73	16.10	409	2.38	60	15.94	405	2.75	70	15.22	387	2.03	52



Notes: Dimensions are in inches. Millimeters shown are for reference only. Data subject to change without notice.

Type 4X Fiberglass Enclosures

JIC Enclosures Type 4X Small Junction Data Sheet



Application

- Houses electrical and electronic controls and instruments
- Intended for indoor or outdoor use
- Ideally suited for harsh environments
- Protects against corrosion, windblown dust and rain, splashing water, hose directed water, and prolonged submersion

Standards

- UL/cUL 50 Listed, Type 1, Type 3R, Type 4X, Type 6P, Type 12
- Conforms to NEMA Standard for Type 1, Type 3R, Type 4X, Type 6P, Type 12
- CSA 22.2, Type 1, Type 3R, Type 4X, Type 6P, Type 12
- Temperature Range: -40°F to 250°F (-40°C to 120°C)
- Flammability Rating: UL94-5V
- Self Extinguishing: Non-flame propagating
- Chemical Resistance: (see chart, pages 464 - 467)

Finish

- Gray color

Accessories

- Back Panels (see page 290)
- Mounting Foot kits (see page 294)
- See accessories (pages 292 - 293)

Construction

- Enclosures are an impact resistant, non-conductive, light-weight hot compression molded fiberglass reinforced polyester
- Poured polyurethane seamless gasket provides watertight, dust-tight environmental seal
- Captive screws provide smooth surfaces
- 300 series stainless steel used on all external hardware
- Integral mounting bosses utilize threaded brass inserts accepting #10-32 screws for mounting optional panel
- Rounded edges reduce build-up of dust and debris

Discount Schedule: F2

Subclass: G00

Notes: We can provide special modifications. Consult the factory for your special requirements.

Type 4X Fiberglass Enclosures

JIC Enclosures Type 4X Small Junction Illustration Sheet and Catalog Number

Enclosure Catalog #	Overall Dimensions		Inside Dimensions		Dimensions								Panel No.
	H x W x D		A x B x C		E		F		J		K		
	in.	mm	in.	mm	in.	mm	in.	mm	in.	mm	in.	mm	
763-4XFSC	7.63 x 6.63 x 3.19	194 x 168 x 81	6.90 x 5.90 x 2.88	175x150x73	5.37	137	5.63	143	2.48	63	5.37	137	AW76__
963-4XFSC	9.87 x 6.63 x 3.19	251 x 168 x 81	9.15 x 5.90 x 2.88	232x150x73	7.62	194	5.63	143	2.48	63	7.62	194	AW96__

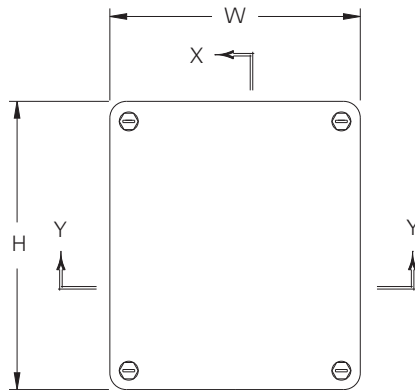
Enclosure Catalog #	Dimensions					
	L		M		N	
	in.	mm	in.	mm	in.	mm
763-4XFSC	4.25	108	4.52	115	4.90	124
963-4XFSC	4.25	108	6.77	172	4.90	124

Panel Finishes

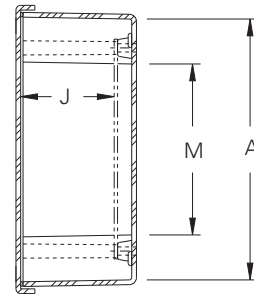
Example: AW108__

Insert for __

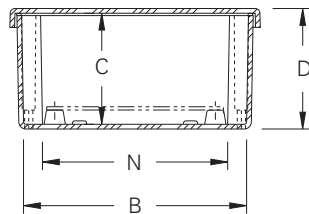
P = Carbon Steel
SP = Stainless Steel
AP = Aluminum



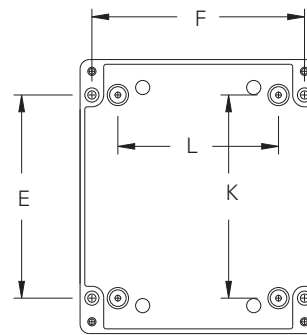
Front View



Section X-X



Section Y-Y



Front View
Without Cover

Notes: Dimensions are in inches. Millimeters shown are for reference only. Data subject to change without notice.

Type 4X Fiberglass Enclosures

Wall-Mount Enclosures Type 3R Continuous Hinge Cover Data Sheet



Application

- Houses electrical, electronic, instrument, and mechanical controls
- Intended for indoor or outdoor use
- Ideally suited for harsh environments
- Protects against corrosion, falling rain, sleet, and external ice formation

Standards

- UL/cUL 50 Listed, Type 1, Type 3, Type 3R
- Conforms to NEMA Standard for Type 1, Type 3, Type 3R
- CSA 22.2, Type 1, Type 3, Type 3R
- Temperature Range: -40°F to 250°F (-40°C to 120°C)
- Flammability Rating: UL94-5V
- Self Extinguishing: Non-flame propagating
- Chemical Resistance: (see chart, pages 464 - 467)

Finish

- Gray color

Accessories

- Back Panels (pages 290 - 291)
- See accessories (pages 292 - 293)

Construction

- Enclosures are an impact resistant, non-conductive, light-weight hot compression molded fiberglass reinforced polyester
- Poured polyurethane seamless gasket provides watertight, dust-tight environmental seal
- Rain shield to protect against incidental water ingress
- Twist lock latches provide ease of entry into enclosure
- 300 series stainless steel used on all external hardware
- Integral mounting feet molded in place for ease of mounting
- Integral mounting bosses utilize threaded brass inserts accepting #10-32 screws for mounting optional panel
- Rounded edges reduce build-up of dust and debris
- Full length stainless steel hinged cover
- Built in padlock hasp provide optional secure closure locking (padlock not included)

Discount Schedule: F2

Subclass: G00

Notes: We can provide special modifications. Consult the factory for your special requirements.

Wall-Mount Enclosures Type 3R Continuous Hinge Cover Illustration Sheet and Catalog Number

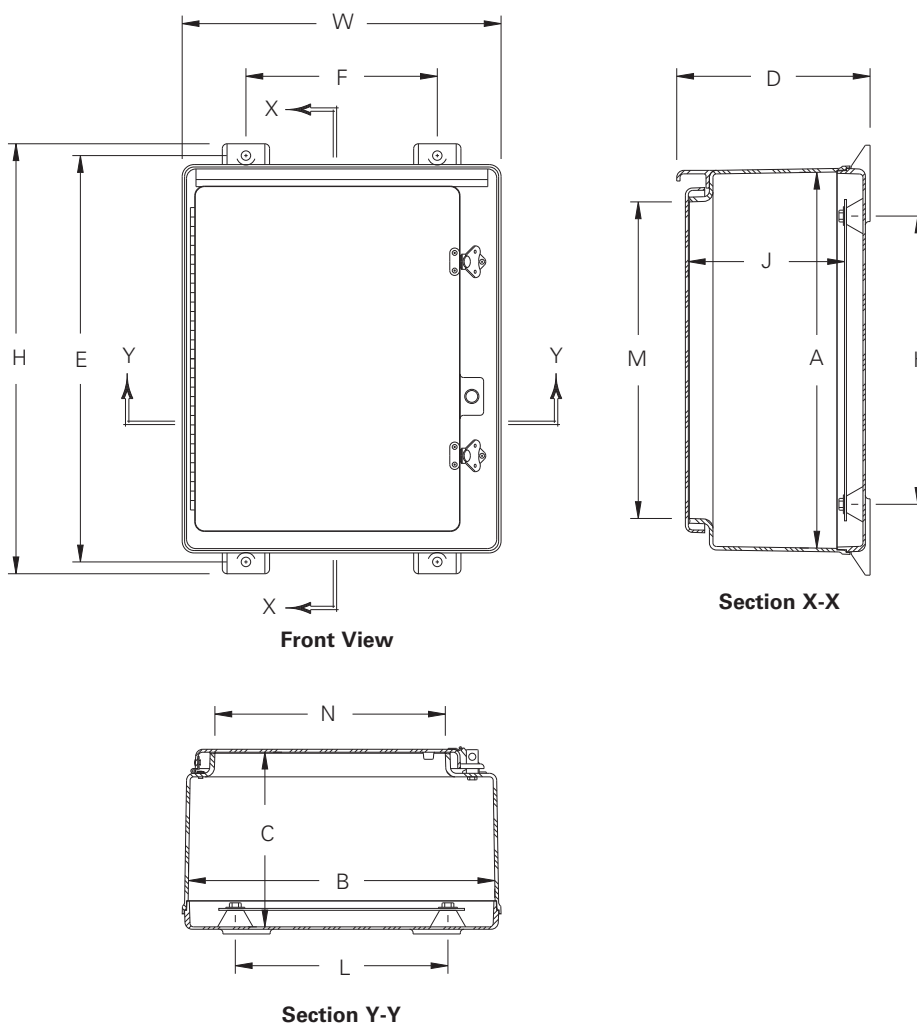
Enclosure Catalog #	Overall Dimensions		Inside Dimensions		Dimensions										Panel Number								
	H x W x D		A x B x C		E		F		J		K		L			M		N					
	in.	mm	in.	mm	in.	mm	in.	mm	in.	mm	in.	mm	in.	mm		in.	mm	in.	mm				
242410-RHCF	27.00	25.24 x 11.90	686	641 x 302	24.05	24.39 x 11.25	611	619 x 286	25.75	654	17.87	454	10.25	260	19.25	489	19.25	489	21.25	540	20.00	508	AWF2424__
30208-RHCF	32.86	20.99 x 9.89	835	533 x 251	29.90	20.14 x 9.23	760	511 x 234	31.75	806	14.25	362	8.23	209	25.25	641	15.25	387	27.00	686	16.50	419	AWF3020__
302010-RHCF	32.86	20.99 x 11.89	835	533 x 302	29.90	20.14 x 11.23	760	511 x 285	31.75	806	14.25	362	10.23	260	25.25	641	15.25	387	27.00	686	16.50	419	AWF3020__
302410-RHCF	33.41	26.32 x 11.95	849	668 x 304	30.46	25.47 x 11.27	774	647 x 286	32.25	819	18.50	470	10.27	261	25.25	641	19.25	489	27.38	695	21.25	540	AWF3024__
302412-RHCF	33.41	26.32 x 13.79	849	668 x 350	30.46	25.47 x 13.10	774	647 x 333	32.25	819	18.50	470	12.10	307	25.25	641	19.25	489	27.38	695	21.25	540	AWF3024__
36308-RHCF	39.31	32.50 x 10.05	999	826 x 255	36.31	31.69 x 9.36	922	805 x 238	38.13	968	23.88	606	8.36	212	31.25	794	25.25	641	33.25	845	27.25	692	AWF3630__
363010-RHCF	39.31	32.50 x 12.05	999	826 x 306	36.31	31.69 x 11.36	922	805 x 289	38.13	968	23.88	606	10.36	263	31.25	794	25.25	641	33.25	845	27.25	692	AWF3630__
363012-RHCF	39.31	32.50 x 14.05	999	826 x 357	36.31	31.69 x 13.36	922	805 x 339	38.13	968	23.88	606	12.36	314	31.25	794	25.25	641	33.25	845	27.25	692	AWF3630__
483612-RHCF	51.29	36.62 x 14.43	1303	930 x 367	48.33	36.22 x 13.25	1228	920 x 336	50.12	1273	29.25	743	12.25	311	43.25	1099	31.25	794	45.25	1149	32.00	813	AWF4836__
483616-RHCF	51.29	36.62 x 18.43	1303	930 x 468	48.33	36.22 x 17.25	1228	920 x 438	50.12	1273	29.25	743	16.25	413	43.25	1099	31.25	794	45.25	1149	32.00	813	AWF4836__

Panel Finishes

Example: AW108__

Insert for __

P = Carbon Steel
SP = Stainless Steel
AP = Aluminum



Notes: Dimensions are in inches. Millimeters shown are for reference only. Data subject to change without notice.

Type 4X Fiberglass Enclosures

Wall-Mount Enclosures Type 4X Single Door Data Sheet



Application

- Houses electrical, electronic, instrument, and mechanical controls
- Intended for indoor or outdoor use
- Ideally suited for harsh environments
- Protects against corrosion, windblown dust and rain, splashing water, and hose directed water

Standards

- UL/cUL 50 Listed, Type 1, Type 3, Type 3R, Type 4X, Type 12
- Conforms to NEMA Standard for Type 1, Type 3, Type 3R, Type 4X, Type 12
- CSA 22.2, Type 1, Type 3, Type 3R, Type 4X, Type 12
- Temperature Range: -40°F to 250°F (-40°C to 120°C)
- Flammability Rating: UL94-5V
- Self Extinguishing: Non-flame propagating
- Chemical Resistance: (see chart, pages 464 - 467)

Finish

- Gray color

Accessories

- Back Panels (pages 290 - 291)
- See accessories (pages 292 - 293)

Construction

- Enclosures are an impact resistant, non-conductive, light-weight hot compression molded fiberglass reinforced polyester
- Poured polyurethane seamless gasket provides watertight, dust-tight environmental seal
- Twist lock latches provide ease of entry into enclosure
- 300 series stainless steel used on all external hardware
- Integral mounting feet molded in place for ease of mounting
- Integral mounting bosses utilize threaded brass inserts accepting #10-32 screws for mounting optional panel
- Rounded edges reduce build-up of dust and debris
- Full length stainless steel hinged cover
- Built in padlock hasp provide optional secure closure locking (padlock not included)

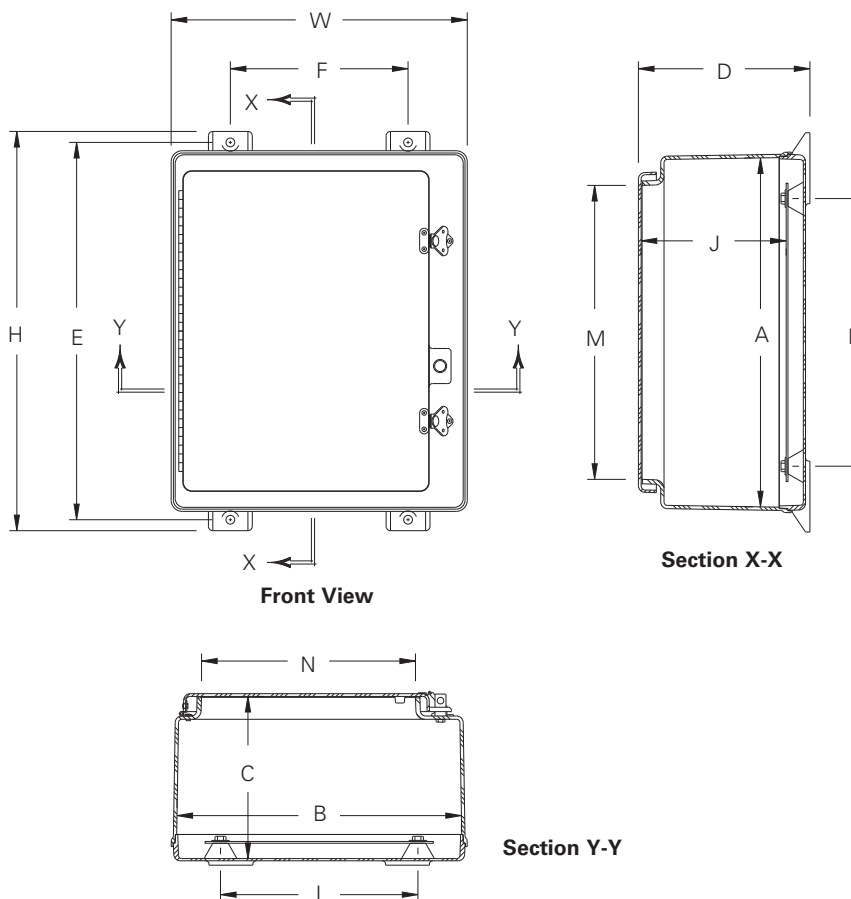
Discount Schedule: F2

Subclass: G00

Notes: We can provide special modifications. Consult the factory for your special requirements.

Wall-Mount Enclosures Type 4X Single-Door Illustration Sheet and Catalog Number

Enclosure Catalog #	Overall Dimensions		Inside Dimensions		Dimensions										Panel Number				
	H x W x D		A x B x C		E		F		J		K		L			M		N	
	in.	mm	in.	mm	in.	mm	in.	mm	in.	mm	in.	mm	in.	mm		in.	mm	in.	mm
201612-4XF	22.75 x 16.87 x 13.77	578 x 429 x 350	19.70 x 16.04 x 13.24	500 x 407 x 336	21.50	546	10.12	257	12.26	312	15.25	387	11.25	286	16.75	425	12.19	310	AWF2016__
24126-4XF	26.95 x 13.72 x 7.98	685 x 348 x 203	24.00 x 12.87 x 7.33	610 x 327 x 186	25.75	654	6.25	159	6.33	161	19.25	489	7.25	184	21.00	533	8.37	213	AWF2412__
241210-4XF	26.95 x 13.72 x 11.99	685 x 348 x 304	24.00 x 12.87 x 11.33	610 x 327 x 288	25.75	654	6.25	159	10.33	262	19.25	489	7.25	184	21.00	533	8.37	213	AWF2412__
24208-4XF	27.00 x 21.24 x 9.90	686 x 539 x 252	24.05 x 20.39 x 9.25	611 x 518 x 235	25.75	654	14.00	356	8.25	209	19.25	489	15.25	387	21.25	540	16.00	406	AWF2420__
242410-4XF	27.00 x 25.24 x 11.90	686 x 641 x 302	24.05 x 24.39 x 11.25	611 x 619 x 286	25.75	654	17.87	454	10.25	260	19.25	489	19.25	489	21.25	540	20.00	508	AWF2424__
242412-4XF	27.00 x 25.24 x 13.90	686 x 641 x 353	24.05 x 24.39 x 13.25	611 x 619 x 336	25.75	654	17.87	454	12.25	311	19.25	489	19.25	489	21.25	540	20.00	508	AWF2424__
30206-4XF	32.86 x 20.99 x 7.89	835 x 533 x 200	29.90 x 20.14 x 7.23	760 x 511 x 184	31.75	806	14.25	362	6.23	158	25.25	641	15.25	387	27.00	686	16.50	419	AWF3020__
30208-4XF	32.86 x 20.99 x 9.89	835 x 533 x 251	29.90 x 20.14 x 9.23	760 x 511 x 234	31.75	806	14.25	362	8.23	209	25.25	641	15.25	387	27.00	686	16.50	419	AWF3020__
302010-4XF	32.86 x 20.99 x 11.89	835 x 533 x 302	29.90 x 20.14 x 11.23	760 x 511 x 285	31.75	806	14.25	362	10.23	260	25.25	641	15.25	387	27.00	686	16.50	419	AWF3020__
302012-4XF	32.86 x 20.99 x 13.89	835 x 533 x 353	29.90 x 20.14 x 13.23	760 x 511 x 336	31.75	806	14.25	362	12.23	311	25.25	641	15.25	387	27.00	686	16.50	419	AWF3020__
30248-4XF	33.41 x 26.32 x 8.81	849 x 668 x 224	30.46 x 25.47 x 8.12	774 x 647 x 206	32.25	819	18.50	470	7.12	181	25.25	641	19.25	489	27.38	695	21.25	540	AWF3024__
302410-4XF	33.41 x 26.32 x 11.85	849 x 668 x 304	30.46 x 25.47 x 11.27	774 x 647 x 286	32.25	819	18.50	470	10.27	261	25.25	641	19.25	489	27.38	695	21.25	540	AWF3024__
302412-4XF	33.41 x 26.32 x 13.79	849 x 668 x 350	30.46 x 25.47 x 13.10	774 x 647 x 333	32.25	819	18.50	470	12.10	307	25.25	641	19.25	489	27.38	695	21.25	540	AWF3024__
36308-4XF	39.31 x 32.50 x 10.05	999 x 826 x 255	36.31 x 31.69 x 9.36	922 x 805 x 238	38.13	968	23.88	606	8.36	212	31.25	794	25.25	641	33.25	845	27.25	692	AWF3630__
363010-4XF	39.31 x 32.50 x 12.05	999 x 826 x 306	36.31 x 31.69 x 11.36	922 x 805 x 289	38.13	968	23.88	606	10.36	263	31.25	794	25.25	641	33.25	845	27.25	692	AWF3630__
363012-4XF	39.31 x 32.50 x 14.05	999 x 826 x 357	36.31 x 31.69 x 13.36	922 x 805 x 339	38.13	968	23.88	606	12.36	314	31.25	794	25.25	641	33.25	845	27.25	692	AWF3630__
483612-4XF	51.29 x 36.62 x 13.79	1303 x 930 x 350	48.33 x 36.22 x 13.25	1228 x 920 x 336	50.12	1273	28.50	724	12.25	311	21.63	549	31.25	794	45.25	1149	32.00	813	AWF4836__
483616-4XF	51.29 x 36.62 x 17.79	1303 x 930 x 452	48.33 x 36.22 x 17.25	1228 x 920 x 438	50.12	1273	28.50	724	16.25	413	21.63	549	31.25	794	45.25	1149	32.00	813	AWF4836__
603612-4XF	64.00 x 36.50 x 14.12	1627 x 927 x 359	60.62 x 36.13 x 13.44	1540 x 918 x 341	62.75	1594	28.75	730	12.44	316	27.63	702	31.25	794	57.25	1454	32.00	813	AWF6036__
603616-4XF	64.00 x 36.50 x 18.12	1627 x 927 x 460	60.62 x 36.13 x 17.44	1540 x 918 x 442	62.75	1594	28.75	730	16.44	418	27.63	702	31.25	794	57.25	1454	32.00	813	AWF6036__



Panel Finishes

Example: AWF108__

Insert for __

P = Carbon Steel
SP = Stainless Steel
AP = Aluminum

Notes: Dimensions are in inches. Millimeters shown are for reference only. Data subject to change without notice.

Type 4X Fiberglass Enclosures

Wall-Mount Enclosures Type 4X Double-Door Data Sheet



Application

- Houses electrical, electronic, instrument, and mechanical controls
- Intended for indoor or outdoor use
- Ideally suited for harsh environments
- Protects against corrosion, windblown dust and rain, splashing water, and hose directed water

Standards

- UL/cUL 50 Listed, Type 1, Type 3, Type 3R, Type 4X, Type 12
- Conforms to NEMA Standard for Type 1, Type 3, Type 3R, Type 4X, Type 12
- CSA 22.2, Type 1, Type 3, Type 3R, Type 4X, Type 12
- Temperature Range: -40°F to 250°F (-40°C to 120°C)
- Flammability Rating: UL94-5V
- Self Extinguishing: Non-flame propagating
- Chemical Resistance: (see chart, pages 464 - 467)

Finish

- Gray color

Accessories

- Back Panels (pages 290 - 291)
- See accessories (pages 292 - 293)

Construction

- Enclosures are an impact resistant, non-conductive, light-weight hot compression molded fiberglass reinforced polyester
- Poured polyurethane seamless gasket provides watertight, dust-tight environmental seal
- Twist lock latches provide ease of entry into enclosure
- 300 series stainless steel used on all external hardware
- Integral mounting feet molded in place for ease of mounting
- Integral mounting bosses utilize threaded brass inserts accepting #10-32 screws for mounting optional panel
- Rounded edges reduce build-up of dust and debris
- Full length stainless steel hinged cover
- Built in padlock hasp provide optional secure closure locking (padlock not included)

Discount Schedule: F2

Subclass: G00

Notes: We can provide special modifications. Consult the factory for your special requirements.

Type 4X Fiberglass Enclosures

Wall-Mount Enclosures Type 4X Double-Door Illustration Sheet and Data Sheet

Enclosure Catalog #	Overall Dimensions		Inside Dimensions		Dimensions								Panel Number										
	H x W x D		A x B x C		E		F		J		K			L		M		N					
	in.	mm	in.	mm	in.	mm	in.	mm	in.	mm	in.	mm		in.	mm	in.	mm	in.	mm				
364812-4XFD	39.50	48.50 x 13.62	1003	1232 x 346	36.12	48.12 x 13.00	917	1222 x 330	38.25	972	40.50	1029	11.94	303	14.50	368	20.00	508	32.00	813	20.75	527	*

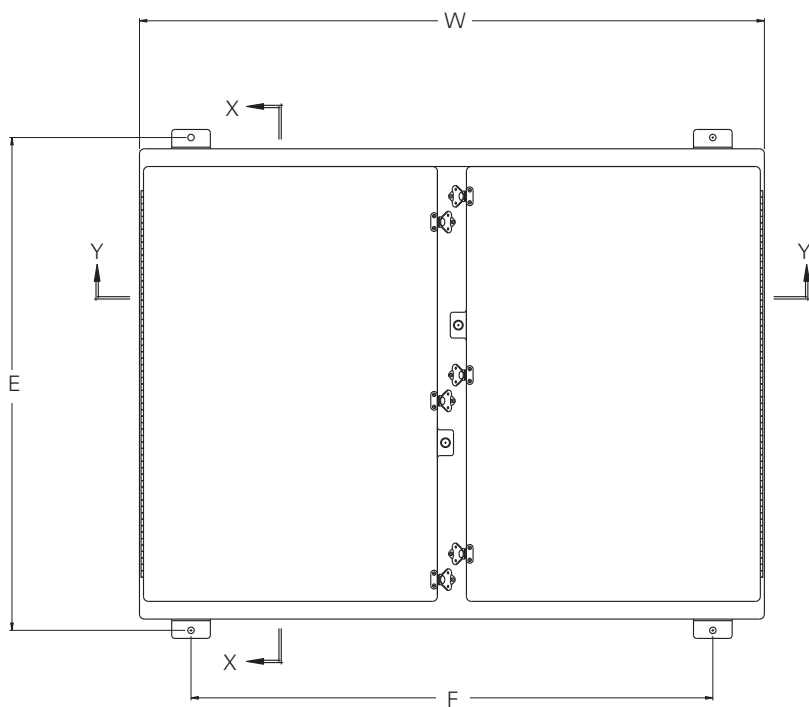
* When ordering steel, stainless steel, or aluminum panels (AWF3622__), the part number includes only one (1) panel - two (2) may be required

Panel Finishes

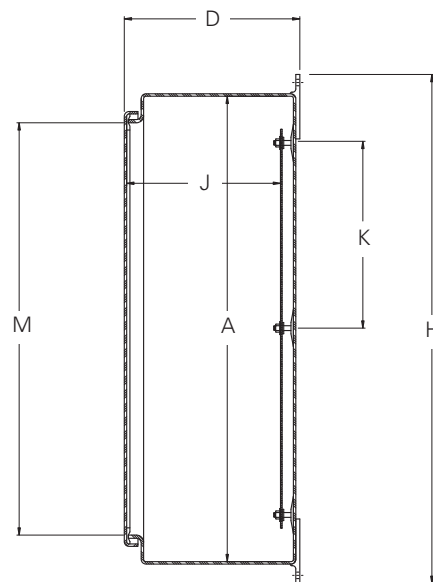
Example: AW108__

Insert for __

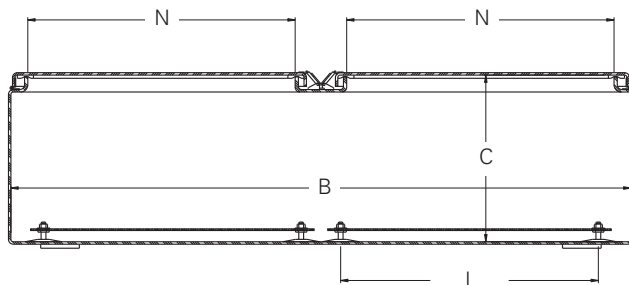
P = Carbon Steel
SP = Stainless Steel
AP = Aluminum



Front View



Section X-X



Section Y-Y

Notes: Dimensions are in inches. Millimeters shown are for reference only. Data subject to change without notice.

Type 4X Fiberglass Enclosures

Ground-Mount Enclosures Type 4X Free-Standing Single-Door Data Sheet



Application

- Houses electrical, electronic, instrument, and mechanical controls
- Intended for indoor or outdoor use
- Ideally suited for harsh environments
- Protects against corrosion, windblown dust and rain, splashing water, and hose directed water

Standards

- UL/cUL 50 Listed, Type 1, Type 3, Type 3R, Type 4X, Type 12
- Conforms to NEMA Standard for Type 1, Type 3, Type 3R, Type 4X, Type 12
- CSA 22.2, Type 1, Type 3, Type 3R, Type 4X, Type 12
- Temperature Range: -40°F to 250°F (040°C to 120°C)
- Flammability Rating: UL94-5V
- Self Extinguishing: Non-flame propagating
- Chemical Resistance: (see chart, pages 464 - 467)

Finish

- Gray color

Accessories

- Back Panels (pages 290 - 291)
- See accessories (pages 292 - 293)

Construction

- Enclosures are an impact resistant, non-conductive, light-weight hot compression molded fiberglass reinforced polyester
- Poured polyurethane seamless gasket provides watertight, dust-tight environmental seal
- Twist lock latches provide ease of entry into enclosure
- 300 series stainless steel used on all external hardware
- Integral mounting bosses utilize threaded brass inserts for mounting optional panel
- Rounded edges reduce build-up of dust and debris
- Full length stainless steel hinged cover
- Built in padlock hasp provide optional secure closure locking (padlock not included)

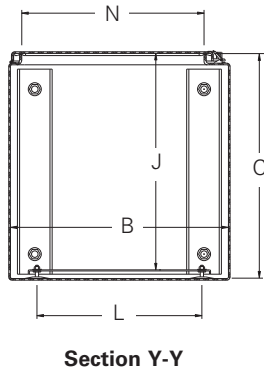
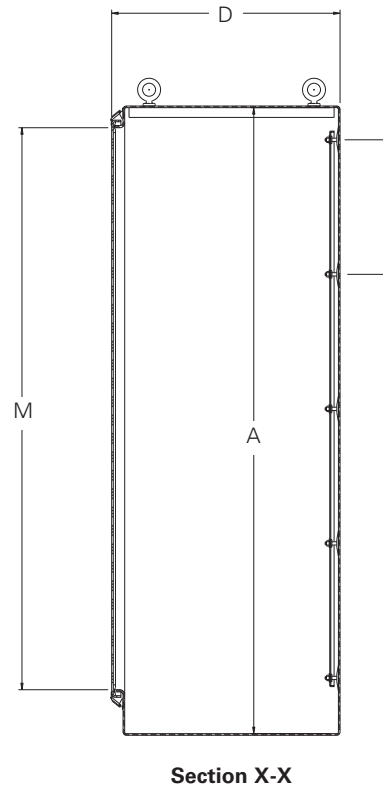
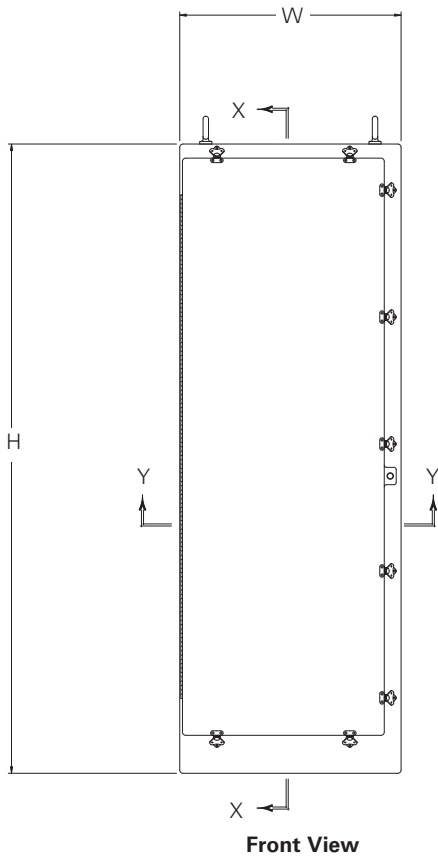
Discount Schedule: F2

Subclass: G00

Notes: We can provide special modifications. Consult the factory for your special requirements.

Ground-Mount Enclosures Type 4X Free-Standing Single-Door Illustration Sheet and Catalog Number

Enclosure Catalog #	Overall Dimensions		Inside Dimensions		Dimensions						Panel Number				
	H x W x D		A x B x C		J		K		L			Enclosure Opening			
	in.	mm	in.	mm	in.	mm	in.	mm	in.	mm		in.	mm		
723618-4XFFS	72.5 x 36.5 x 19.38	1841 x 927 x 492	72.0 x 36.0 x 18.88	1829 x 914 x 479	17.88	454	15.50	388	30.00	762	64.75	1645	32.00	813	AWF7236__
723624-4XFFS	72.5 x 36.5 x 25.38	1841 x 927 x 644	72.0 x 36.0 x 24.88	1829 x 914 x 631	23.88	606	15.50	388	30.00	762	64.75	1645	32.00	813	AWF7236__
903636-4XFFS	90.5 x 36.5 x 37.88	2299 x 927 x 949	90.0 x 36.0 x 37.38	2286 x 914 x 949	36.25	921	20.00	508	30.00	762	82.75	2102	32.00	813	AWF9036__



Panel Finishes

Example: AW108__

Insert for __

P = Carbon Steel
SP = Stainless Steel
AP = Aluminum

Notes: Dimensions are in inches. Millimeters shown are for reference only. Data subject to change without notice.

Type 4X Fiberglass Enclosures

Ground-Mount Enclosures Type 4X Free-Standing Double-Door Data Sheet



Application

- Houses electrical, electronic, instrument, and mechanical controls
- Intended for indoor or outdoor use
- Ideally suited for harsh environments
- Protects against corrosion, windblown dust and rain, splashing water, and hose directed water

Standards

- UL/cUL 50 Listed, Type 1, Type 3, Type 3R, Type 4X, Type 12
- Conforms to NEMA Standard for Type 1, Type 3, Type 3R, Type 4X, Type 12
- CSA 22.2, Type 1, Type 3, Type 3R, Type 4X, Type 12
- Temperature Range: -40°F to 250°F (040°C to 120°C)
- Flammability Rating: UL94-5V
- Self Extinguishing: Non-flame propagating
- Chemical Resistance: (see chart, pages 464 - 467)

Finish

- Gray color

Accessories

- Back Panels (pages 290 - 291)
- See accessories (pages 292 - 293)

Construction

- Enclosures are an impact resistant, non-conductive, light-weight hot compression molded fiberglass reinforced polyester
- Poured polyurethane seamless gasket provides watertight, dust-tight environmental seal
- Twist lock latches provide ease of entry into enclosure
- 300 series stainless steel used on all external hardware
- Integral mounting bosses utilize threaded brass inserts for mounting optional panel
- Rounded edges reduce build-up of dust and debris
- Full length stainless steel hinged cover
- Built in padlock hasp provide optional secure closure locking (padlock not included)

Discount Schedule: F2

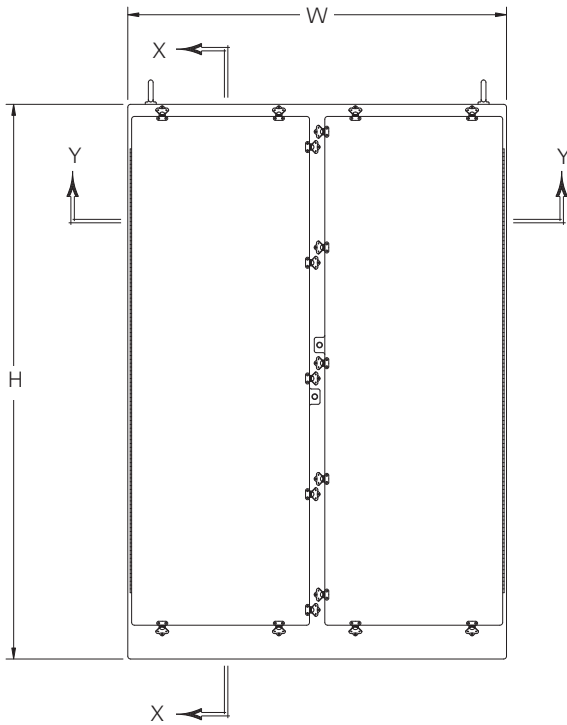
Subclass: G00

Notes: We can provide special modifications. Consult the factory for your special requirements.

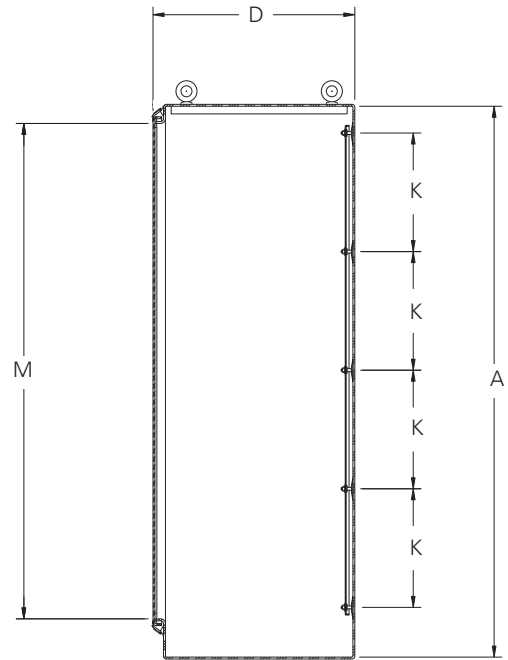
Ground-Mount Enclosures Type 4X Free-Standing Double-Door Illustration Sheet and Catalog Number

Enclosure Catalog #	Overall Dimensions		Inside Dimensions		Dimensions						Panel Number								
	H x W x D		A x B x C		J		K		L			Enclosure Opening							
	in.	mm	in.	mm	in.	mm	in.	mm	in.	mm		in.	mm						
724818-4XFFSD	72.5	58.5 x 19.38	1841	1232 x 492	72.0	48.0 x 18.88	1829	1219 x 476	17.88	454	15.50	388	19.50	495	64.75	1645	20.50	521	*AWF7221
727218-4XFFSD	72.5	72.5 x 19.38	1841	1842 x 492	72.0	72.0 x 18.88	1829	1829 x 479	17.88	454	15.50	388	31.50	800	64.75	1645	32.50	826	*AWF7233

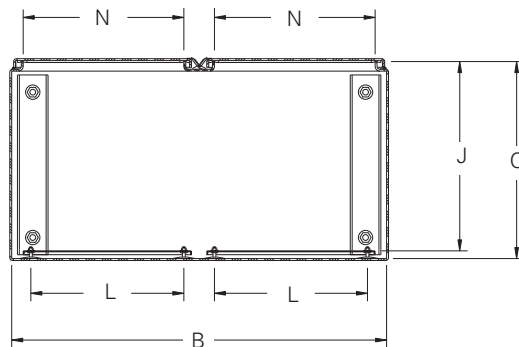
* When ordering panels, the part number includes only one (1) panel - two (2) are required



Front View



Section X-X



Section Y-Y

Panel Finishes

Example: AW108__

Insert for __

P = Carbon Steel
SP = Stainless Steel
AP = Aluminum

Notes: Dimensions are in inches. Millimeters shown are for reference only. Data subject to change without notice.

Type 4X Fiberglass Enclosures

Pushbutton Enclosures Type 4X In-Line 30 mm Data Sheet



Application

- Designed to mount standard oil-tight pushbuttons, pilot lights, and switches
- Intended for indoor or outdoor use
- Ideally suited for harsh environments
- Protects against corrosion, windblown dust and rain, splashing water, hose directed water, and prolonged submersion

Standards

- UL/cUL 50 Listed, Type 1, Type 3, Type 4X, Type 6P, Type 12
- Conforms to NEMA Standard for Type 1, Type 3, Type 4X, Type 6P, Type 12
- CSA 22.2, Type 1, Type 3, Type 4X, Type 6P, Type 12
- Temperature Range: -40°F to 250°F (-40°C to 120°C)
- Flammability Rating: UL94-5V
- Self Extinguishing: Non-flame propagating
- Chemical Resistance: (see chart, pages 464 - 467)

Finish

- Gray color

Accessories

- See accessories (pages 292 - 293)

Construction

- Enclosures are an impact resistant, non-conductive, light-weight hot compression molded fiberglass reinforced polyester
- Poured polyurethane seamless gasket provides watertight, dust-tight environmental seal
- Recessed captive screws provide smooth surfaces
- Secure mounting of pushbutton in non-rotatable notched key hole
- 300 series stainless steel used on all external hardware
- Rounded edges reduce build-up of dust and debris
- Full metal grounding strap is provided

Discount Schedule: F2

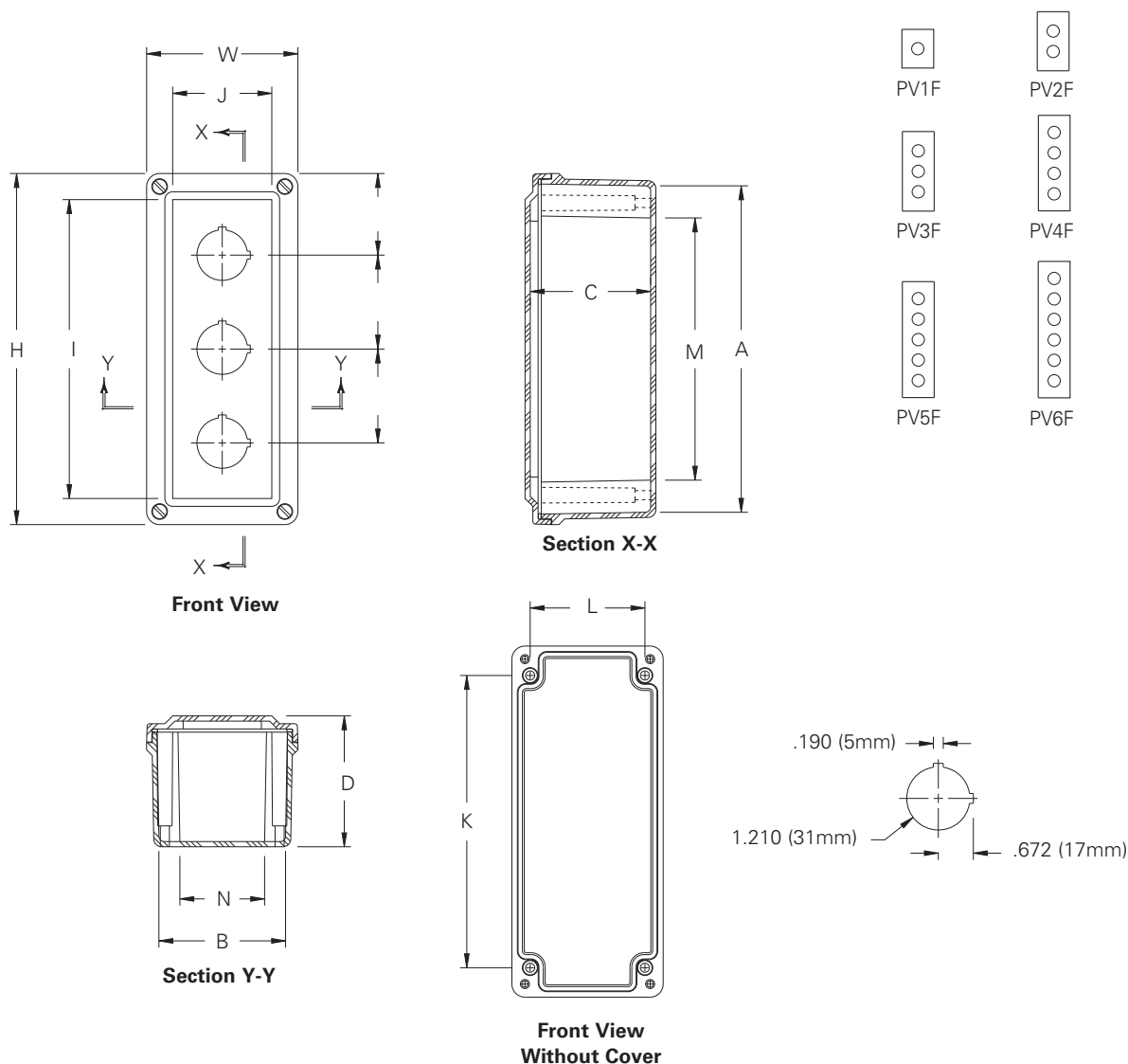
Subclass: G00

Notes: We can provide special modifications. Consult the factory for your special requirements.

Type 4X Fiberglass Enclosures

Pushbutton Enclosures Type 4X In-Line 30 mm Illustration Sheet and Catalog Number

Enclosure Catalog #	Overall Dimensions		Inside Dimensions		Dimensions													
	H x W x D		A x B x C		I		J		K		L		M		N		O	
	in.	mm	in.	mm	in.	mm	in.	mm	in.	mm	in.	mm	in.	mm	in.	mm	in.	mm
PV1F	6.63 x 3.81 x 3.89	168 x 97 x 99	6.00 x 3.19 x 3.63	153 x 81 x 92	5.31	135	2.50	64	4.88	124	2.94	75	4.13	105	2.19	56	3.31	84
PV2F	6.63 x 3.81 x 3.89	168 x 97 x 99	6.00 x 3.19 x 3.63	153 x 81 x 92	5.31	135	2.50	64	4.88	124	2.94	75	4.13	105	2.19	56	2.19	56
PV3F	8.88 x 3.81 x 3.89	225 x 97 x 99	8.26 x 3.19 x 3.63	210 x 81 x 92	7.56	192	2.50	64	7.13	181	2.94	75	6.38	162	2.19	56	2.19	56
PV4F	11.13 x 3.81 x 3.89	283 x 97 x 99	10.51 x 3.19 x 3.63	267 x 81 x 92	9.81	249	2.50	64	9.37	238	2.94	75	8.63	219	2.19	56	2.19	56
PV5F	13.78 x 3.63 x 3.14	350 x 92 x 80	13.19 x 3.03 x 2.87	335 x 77 x 73	12.53	318	2.38	60	12.37	314	2.75	70	11.66	296	2.03	52	2.39	61
PV6F	17.35 x 3.63 x 3.14	441 x 92 x 80	16.75 x 3.03 x 2.87	426 x 77 x 73	16.10	409	2.38	60	15.94	405	2.75	70	15.22	387	2.03	52	3.05	77



Notes: Dimensions are in inches. Millimeters shown are for reference only. Data subject to change without notice.

Type 4X Fiberglass Enclosures

Pushbutton Enclosures Type 4X In-Line 22 mm Data Sheet



Application

- Designed to mount standard oil-tight pushbuttons, pilot lights, and switches
- Intended for indoor or outdoor use
- Ideally suited for harsh environments
- Protects against corrosion, windblown dust and rain, splashing water, hose directed water, and prolonged submersion

Standards

- UL/cUL 50 Listed, Type 1, Type 3, Type 4X, Type 6P, Type 12
- Conforms to NEMA Standard for Type 1, Type 3, Type 4X, Type 6P, Type 12
- CSA 22.2, Type 1, Type 3, Type 4X, Type 6P, Type 12
- Temperature Range: -40°F to 250°F (-40°C to 120°C)
- Flammability Rating: UL94-5V
- Self Extinguishing: Non-flame propagating
- Chemical Resistance: (see chart, pages 464 - 467)

Finish

- Gray color

Accessories

- See accessories (page 292 - 293)

Construction

- Enclosures are an impact resistant, non-conductive, light-weight hot compression molded fiberglass reinforced polyester
- Poured polyurethane seamless gasket provides watertight, dust-tight environmental seal
- Recessed captive screws provide smooth surfaces
- Secure mounting of pushbutton in non-rotatable notched key hole
- 300 series stainless steel used on all external hardware
- Rounded edges reduce build-up of dust and debris
- Full metal grounding strap is provided

Discount Schedule: F2

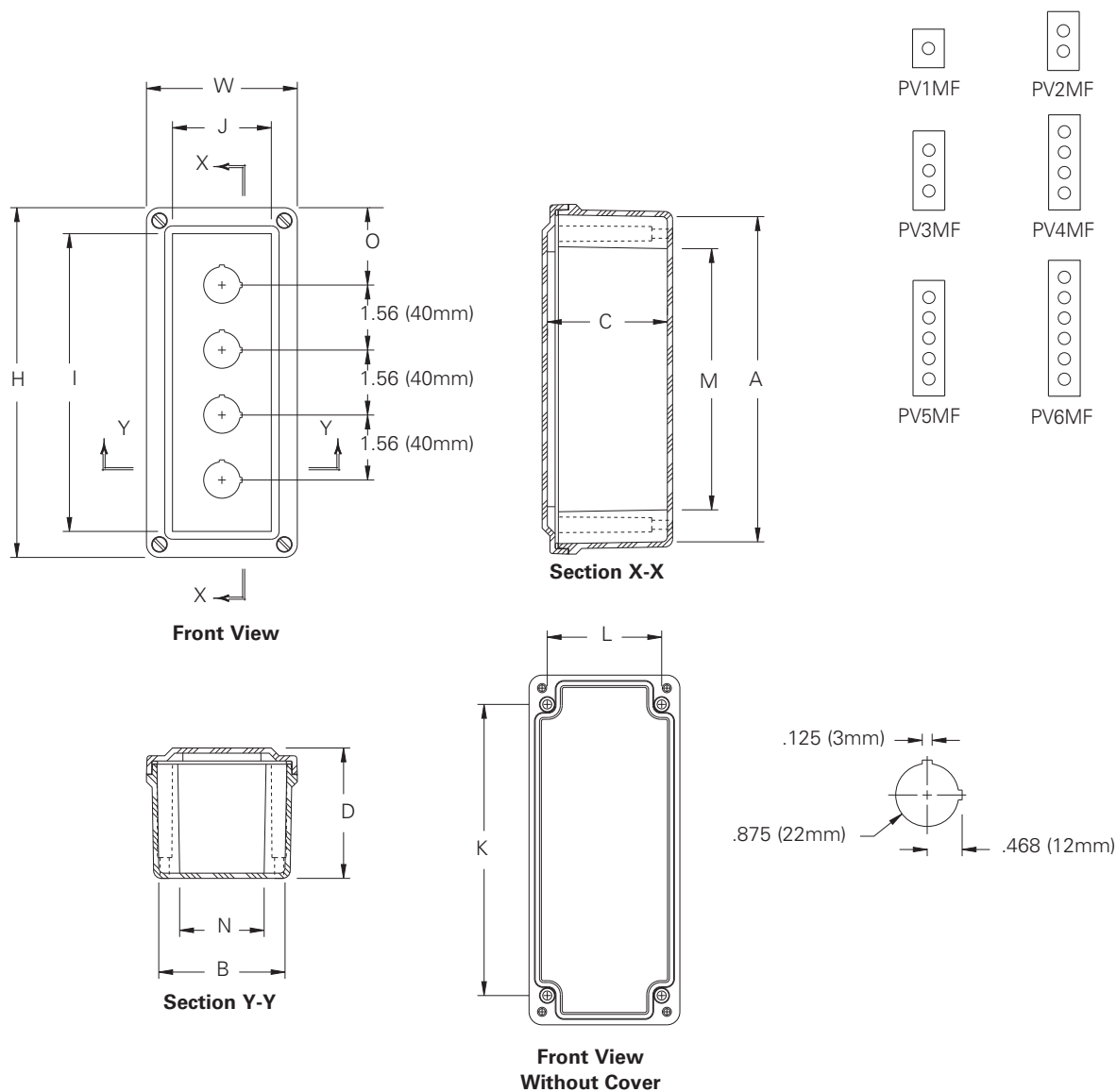
Subclass: G00

Notes: We can provide special modifications. Consult the factory for your special requirements.

Type 4X Fiberglass Enclosures

Pushbutton Enclosures Type 4X In-Line 22 mm Illustration Sheet and Catalog Number

Enclosure Catalog #	Overall Dimensions		Inside Dimensions		Dimensions													
	H x W x D		A x B x C		I		J		K		L		M		N		O	
	in.	mm	in.	mm	in.	mm	in.	mm	in.	mm	in.	mm	in.	mm	in.	mm	in.	mm
PV1MF	6.63 x 3.81 x 3.89	168 x 97 x 99	6.00 x 3.19 x 3.63	153 x 81 x 92	5.31	135	2.50	64	4.88	124	2.94	75	4.13	105	2.19	56	3.31	84
PV2MF	6.63 x 3.81 x 3.89	168 x 97 x 99	6.00 x 3.19 x 3.63	153 x 81 x 92	5.31	135	2.50	64	4.88	124	2.94	75	4.13	105	2.19	56	2.19	56
PV3MF	6.63 x 3.81 x 3.89	225 x 97 x 99	6.00 x 3.19 x 3.63	153 x 81 x 92	5.31	135	2.50	64	4.88	124	2.94	75	4.13	105	2.19	56	1.75	44
PV4MF	8.88 x 3.81 x 3.89	225 x 97 x 99	8.26 x 3.19 x 3.63	210 x 81 x 92	7.56	192	2.50	64	7.13	181	2.94	75	6.38	162	2.19	56	2.09	53
PV5MF	11.13 x 3.81 x 3.89	283 x 97 x 99	10.51 x 3.19 x 3.63	267 x 81 x 92	9.81	249	2.50	64	9.37	238	2.94	75	8.63	219	2.19	56	2.44	62
PV6MF	11.13 x 3.81 x 3.89	283 x 97 x 99	10.51 x 3.19 x 3.63	267 x 81 x 92	9.81	249	2.50	64	9.37	238	2.94	75	8.63	219	2.19	56	1.66	42



Notes: Dimensions are in inches. Millimeters shown are for reference only. Data subject to change without notice.

Type 4X Fiberglass Enclosures

Pushbutton Enclosures Type 4X Multi-Hole 30 mm Data Sheet



Application

- Designed to mount standard oil-tight pushbuttons, pilot lights, and switches
- Intended for indoor or outdoor use
- Ideally suited for harsh environments
- Protects against corrosion, windblown dust and rain, splashing water, hose directed water, and prolonged submersion

Standards

- UL/cUL 50 Listed, Type 1, Type 3, Type 4X, Type 6P, Type 12
- Conforms to NEMA Standard for Type 1, Type 3, Type 4X, Type 6P, Type 12
- CSA 22.2, Type 1, Type 3, Type 4X, Type 6P, Type 12
- Temperature Range: -40°F to 250°F (-40°C to 120°C)
- Flammability Rating: UL94-5V
- Self Extinguishing: Non-flame propagating
- Chemical Resistance: (see chart, pages 464 - 467)

Finish

- Gray color

Accessories

- Back Panels (page 290)
- See accessories (pages 292 - 293)

Construction

- Enclosures are an impact resistant, non-conductive, light-weight hot compression molded fiberglass reinforced polyester
- Poured polyurethane seamless gasket provides watertight, dust-tight environmental seal
- Captive screws provide smooth surfaces
- Secure mounting of pushbutton in non-rotatable notched key hole
- 300 series stainless steel used on all external hardware
- Integral flange molded in place for ease of mounting
- Integral mounting bosses utilize threaded brass inserts accepting #10-32 screws for mounting optional panel
- Rounded edges reduce build-up of dust and debris
- Full metal grounding strap is provided
- Stainless steel beaded chain for securing cover after lift off

Discount Schedule: F2

Subclass: G00

Notes: We can provide special modifications. Consult the factory for your special requirements.

Pushbutton Enclosures Type 4X Multi-Hole 30 mm Illustration Sheet and Catalog Number

Enclosure Catalog #	Overall Dimensions H x W x D		Inside Dimensions A x B x C		E		F		Hole Dia.		Panel No.				
	in.	mm	in.	mm	in.	mm	in.	mm	in.	mm					
PB4F	7.50	7.50 x 4.75	191	191 x 121	5.72	5.72 x 4.45	145	145 x 113	6.75	171	4.00	101	0.31	8	AW66__
PB6F	9.62	7.50 x 4.74	244	191 x 121	7.73	5.74 x 4.45	196	146 x 113	8.88	225	4.00	101	0.31	8	AW86__
PB9F	11.62	9.41 x 4.25	295	239 x 108	9.73	7.73 x 3.98	247	196 x 101	10.75	273	6.00	152	0.31	8	AW108__

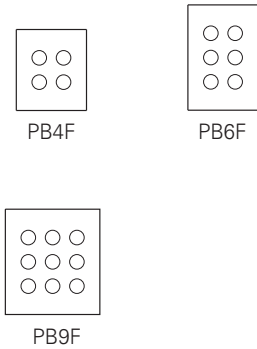
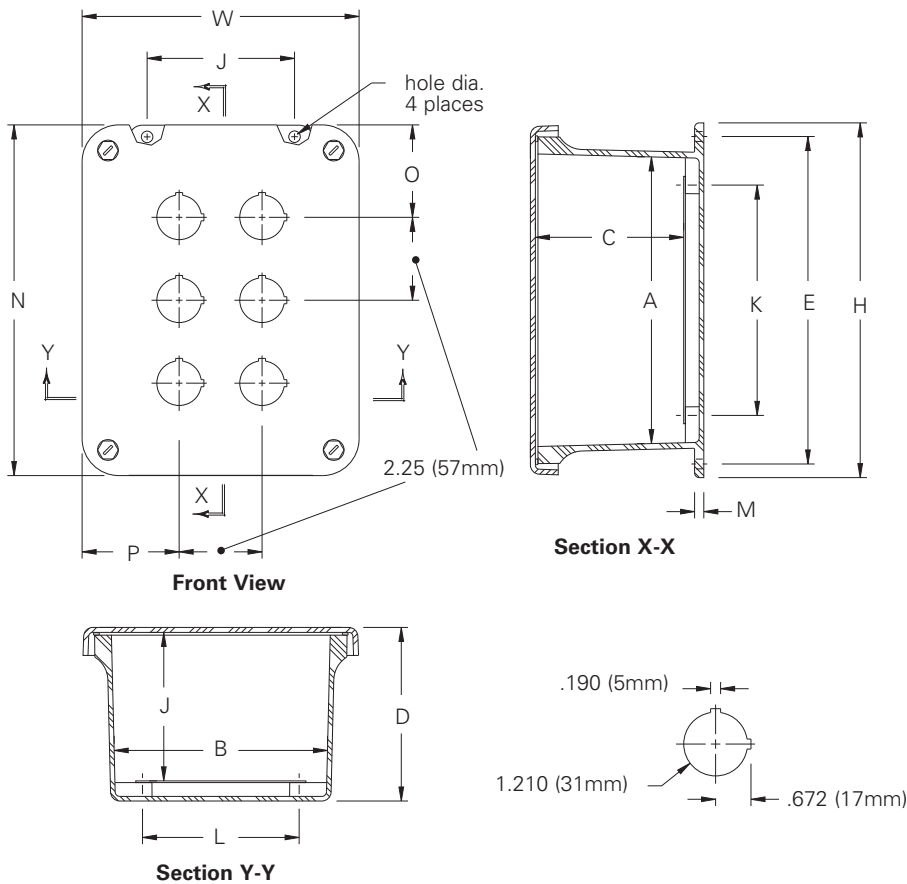
Enclosure Catalog #	Dimensions													
	J		K		L		M		N		O		P	
	in.	mm	in.	mm	in.	mm	in.	mm	in.	mm	in.	mm	in.	mm
PB4F	4.00	101	4.25	108	4.25	108	0.25	6	7.52	191	2.64	67	2.64	67
PB6F	4.00	101	6.25	159	4.25	108	0.25	6	9.50	242	2.64	67	2.51	64
PB9F	3.50	89	8.25	209	6.25	159	0.25	6	11.35	288	3.43	87	2.45	62

Panel Finishes

Example: AW108__

Insert for __

P = Carbon Steel
SP = Stainless Steel
AP = Aluminum



Notes: Dimensions are in inches. Millimeters shown are for reference only. Data subject to change without notice.

Type 4X Fiberglass Enclosures

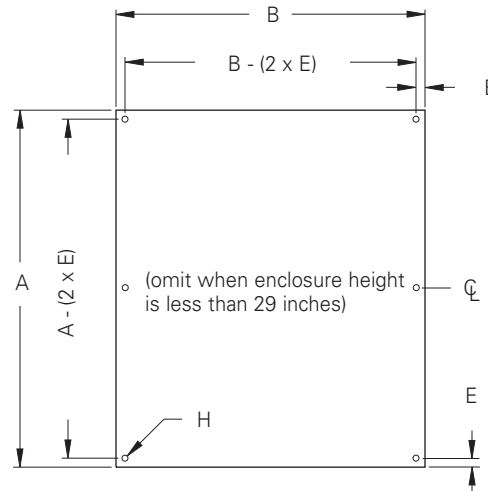
Fiberglass Accessories

Illustration Sheet and Catalog Number

Discount Schedule: F2

Subclass: DSA, DSB

Back Panels



Flat Panel for Fiberglass Enclosures			A		B		E		Hole Dia.		Gauge	Fits Enclosure (Nominal)	
Painted Steel	Stainless	Aluminum	in.	mm	in.	mm	in.	mm	in.	mm		Height x Width	in.
AW64P	AW64SP	AW64AP	4.87	124	2.87	73	0.31	8	0.25	6	14	6.00 x 4.00	152 x 102
AW66P	AW66SP	AW66AP	4.87	124	4.87	124	0.31	8	0.25	6	14	6.00 x 6.00	152 x 152
AW76P	AW76SP	AW76AP	6.00	152	4.87	124	0.31	8	0.25	6	14	7.00 x 6.00	178 x 152
AW86P	AW86SP	AW86AP	6.87	174	4.87	124	0.31	8	0.25	6	14	8.00 x 6.00	203 x 152
AW88P	AW88SP	AW88AP	6.87	174	6.87	174	0.31	8	0.25	6	14	8.00 x 8.00	203 x 203
AW96P	AW96SP	AW96AP	8.25	209	4.87	124	0.31	8	0.25	6	14	9.00 x 6.00	228 x 152
AW108P	AW108SP	AW108AP	8.87	225	6.87	174	0.31	8	0.25	6	14	10.00 x 8.00	254 x 203
AW1210P	AW1210SP	AW1210AP	10.87	276	8.87	225	0.31	8	0.25	6	14	12.00 x 10.00	305 x 254
AW1212P	AW1212SP	AW1212AP	10.87	276	10.87	276	0.31	8	0.25	6	14	12.00 x 12.00	305 x 305
AW147P	AW147SP	AW147AP	12.87	327	5.87	149	0.31	8	0.25	6	14	14.00 x 7.00	356 x 178
AW1412P	AW1412SP	AW1412AP	12.87	327	10.87	276	0.31	8	0.25	6	14	14.00 x 12.00	356 x 305
AW1614P	AW1614SP	AW1614AP	14.87	378	12.87	327	0.31	8	0.25	6	14	16.00 x 14.00	406 x 356
AW1816P	AW1816SP	AW1816AP	16.88	429	14.88	378	0.31	8	0.25	6	14	18.00 x 16.00	457 x 406
AW2016PJ	AW2016SPJ	AW2016APJ	18.88	479	14.88	378	0.31	8	0.25	6	14	20.00 x 16.00	508 x 406
AW2016P	AW2016SP	AW2016AP	17.00	432	13.00	330	0.88	22	0.56	14	12	20.00 x 16.00	508 x 406
AW2412P	AW2412SP	AW2412AP	21.00	533	9.00	229	0.88	22	0.56	14	12	24.00 x 12.00	610 x 305
AWF2420P	AWF2420SP	AWF2420AP	21.00	533	17.00	432	0.88	22	0.56	14	12	24.00 x 20.00	610 x 508
AWF2424P	AWF2424SP	AWF2424AP	21.00	533	21.00	533	0.88	22	0.56	14	12	24.00 x 24.00	610 x 610
AWF3020P	AWF3020SP	AWF3020AP	27.00	686	17.00	432	0.88	22	0.56	14	12	30.00 x 20.00	762 x 508
AWF3024P	AWF3024SP	AWF3024AP	27.00	686	21.00	533	0.88	22	0.56	14	12	30.00 x 24.00	762 x 610
AWF3622P	AWF3622SP	AWF3622AP	31.00	787	22.00	559	1.00	25	0.56	14	12	36.00 x 48.00	914 x 1219
AWF3630P	AWF3630SP	AWF3630AP	33.00	838	27.00	686	0.88	22	0.56	14	12	36.00 x 30.00	914 x 762

Notes: Dimensions are in inches. Millimeters shown are for reference only. Data subject to change without notice.

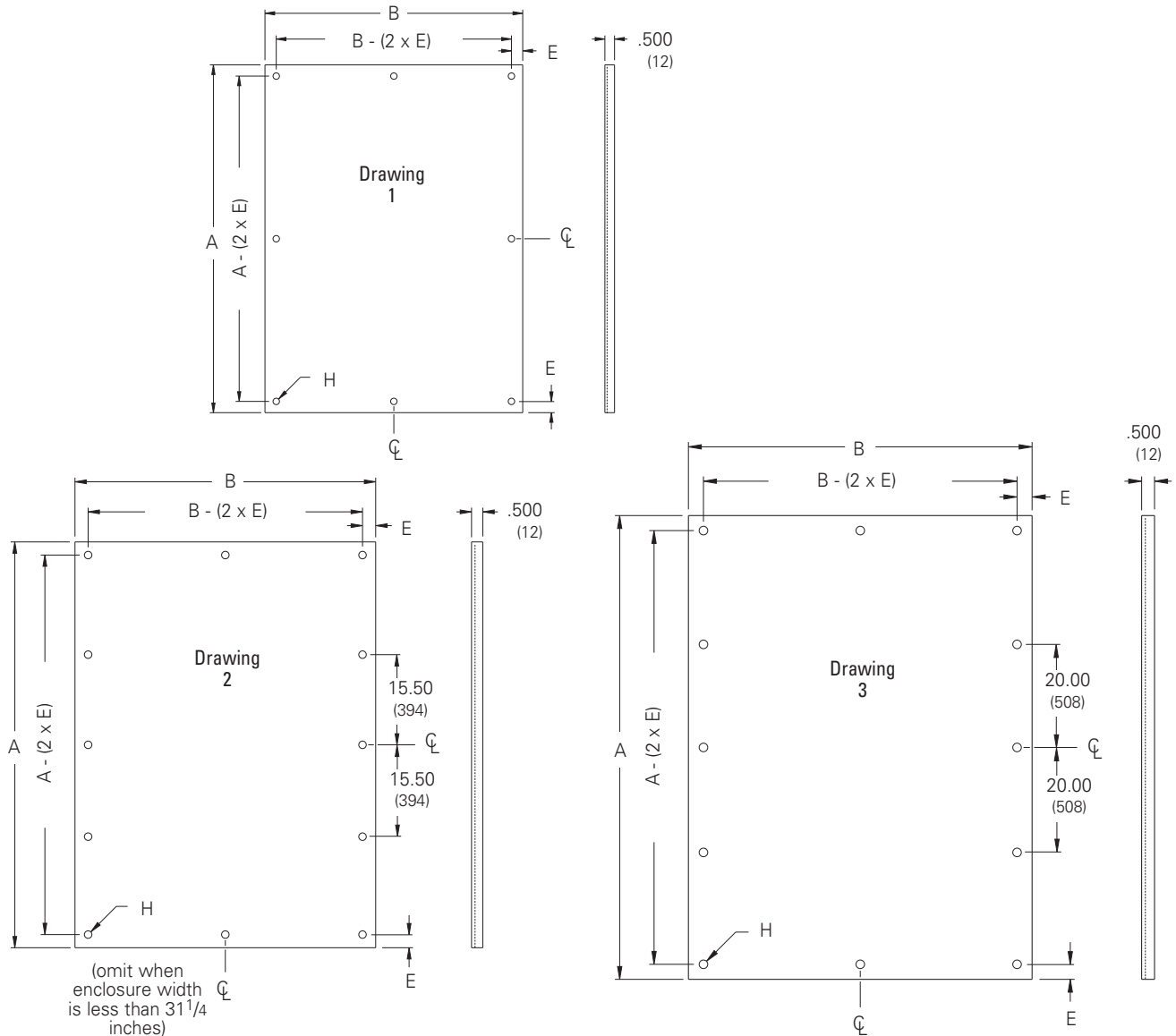
Type 4X Fiberglass Enclosures

Fiberglass Accessories Illustration Sheet and Catalog Number

Discount Schedule: F2
Subclass: DSB

Back Panels

Flanged Panel for Fiberglass Enclosures			A		B		E		Hole Dia. H		Gauge	Fits Enclosure (Nominal) Height x Width		See Drawing
Painted Steel	Stainless	Aluminum	in.	mm	in.	mm	in.	mm	in.	mm		in.	mm	
AWF4836P	AWF4836SP	AWF4836AP	45.00	1143	33.00	838	0.88	22	0.56	14	12	48.00 x 36.00	1219 x 914	1
AWF6036P	AWF6036SP	AWF6036AP	57.00	1448	33.00	838	0.88	22	0.56	14	12	60.00 x 36.00	1524 x 914	
AWF7221P	AWF7221SP	AWF7221AP	64.00	1625	21.50	546	1.00	25	0.56	14	12	72.00 x 48.00	1829 x 1219	
AWF7224P	AWF7224SP	AWF7224AP	64.00	1625	20.00	508	1.00	25	0.56	14	12	72.00 x 24.00	1829 x 609	2
AWF7233P	AWF7233SP	AWF7233AP	64.00	1625	33.50	851	1.00	25	0.56	14	12	72.00 x 72.00	1829 x 1829	
AWF7236P	AWF7236SP	AWF7236AP	64.00	1625	32.00	813	1.00	25	0.56	14	12	72.00 x 36.00	1829 x 914	
--	--	--	64.00	1625	21.50	546	1.00	25	0.56	14	12	72.00 x 48.00	1829 x 1219	
--	--	--	64.00	1625	33.50	851	1.00	25	0.56	14	12	72.00 x 72.00	1829 x 1329	
AWF9036P	AWF9036SP	AWF9036AP	82.00	2083	32.00	813	1.00	25	0.56	14	12	90.00 x 36.00	2286 x 914	3



Notes: Dimensions are in inches. Millimeters shown are for reference only. Data subject to change without notice.

Type 4X Fiberglass Enclosures

Fiberglass Accessories

Illustration Sheet and Catalog Number

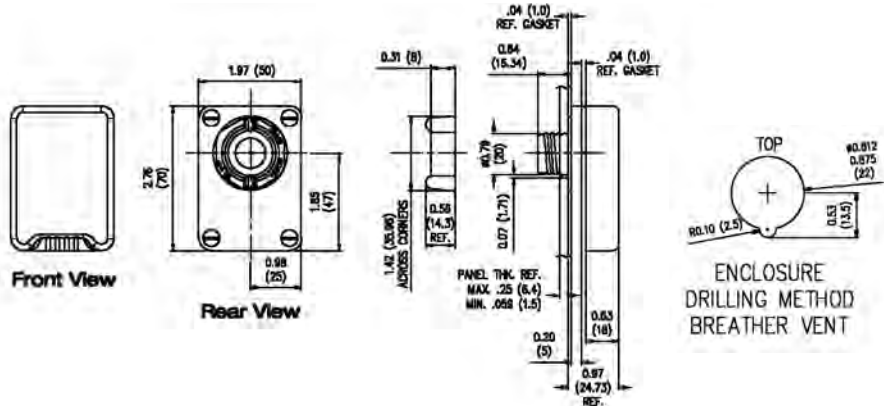
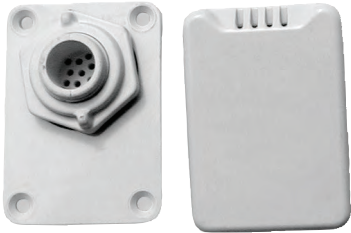
Discount Schedule: F2

Subclass: G00

Breather Vent

Enclosure Catalog #

BV4X

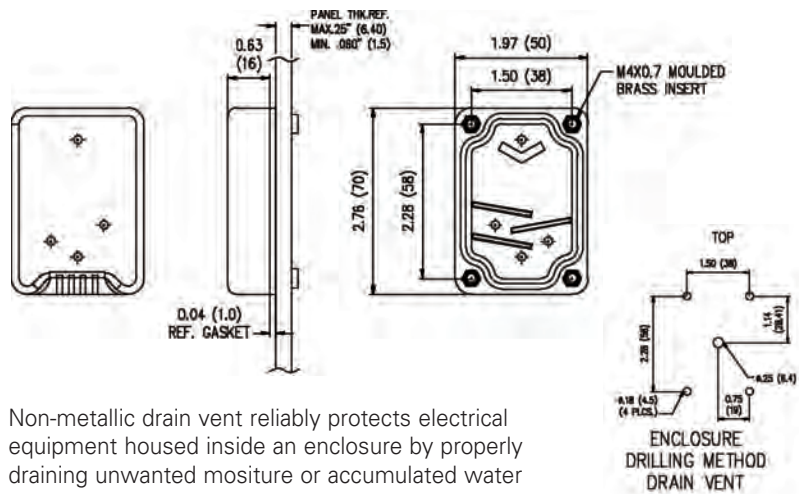
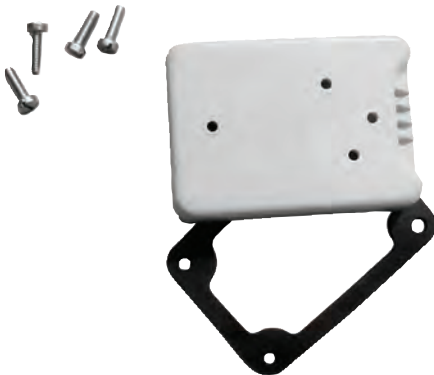


Non-metallic breather vent allows an enclosure to breathe, allowing the free passage of air while maintaining UL Type 4X enclosure integrity as a recognized component.

Drain Vent

Enclosure Catalog #

DV4X



Non-metallic drain vent reliably protects electrical equipment housed inside an enclosure by properly draining unwanted moisture or accumulated water from within, while maintaining UL Type 4X enclosure integrity as a recognized component.

Drain & Vent

Enclosure Catalog #

DV



Vapor Capsule

Enclosure Catalog #

BLVC



Vapor capsules contain a unique phase inhibitor designed to protect metallic surfaces within an enclosure against airborne corrosion. Simply place these self-contained capsules inside an enclosure, the vapors readily permeate every point, passivating all metallic surfaces. When the capsule is removed from its sealed package, it begins to emit an invisible, no-toxic vapor which is diffused throughout the surrounding atmosphere until the air is saturated. The vapor then passivates the metal surface against atmospheric corrosion by reducing the electrochemical activity of the metal surfaces.

Notes: Dimensions are in inches. Millimeters shown are for reference only. Data subject to change without notice.

Type 4X Fiberglass Enclosures

Fiberglass Accessories Illustration Sheet and Catalog Number

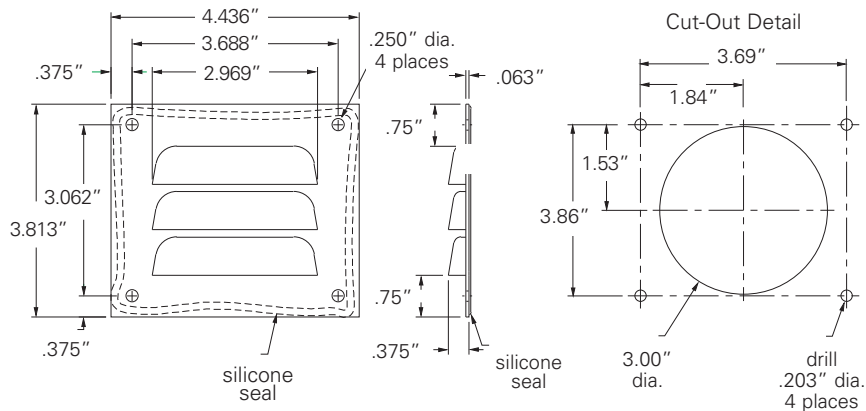
Discount Schedule: F2
Subclass: G00

Enclosure Catalog #	Application	Max. Hole		Hole Seal	
		in.	mm	in.	mm
SPBGFG	Minature oil-tight bushbutton holes	0.88	22	1.22	31
SPBFG	Standard oil-tight bushbutton holes	1.25	32	1.75	44
S050FG	1/2" conduit holes	0.88	22	1.38	35
S075FG	3/4" conduit holes	1.06	27	1.56	40
S100FG	1" conduit holes	1.38	35	1.88	48
S125FG	1 1/4" conduit holes	1.69	43	2.19	56
S150FG	1 1/2" conduit holes	2.00	51	2.50	64
S200FG	2" conduit holes	2.50	64	3.00	76
S250FG	2 1/2" conduit holes	3.00	76	3.50	89
S300FG	3" conduit holes	3.62	92	4.12	105
S350FG	3 1/2" conduit holes	4.12	105	4.62	117
S400FG	4" conduit holes	4.62	117	5.12	130



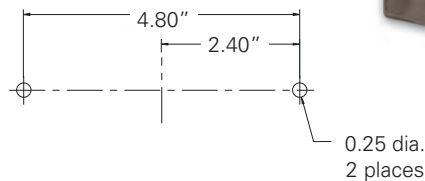
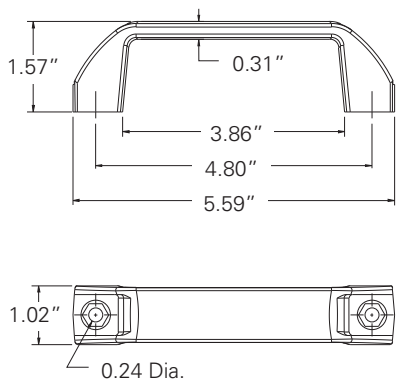
Oil-Tight Hole Seals

Helps protect knockout openings and extra pushbutton or conduit openings from dirt, oil, dust and water. Each hole seal has oil-resistant gasketing and lock nut.



Louver Plate Vent

Enclosure Catalog #
LPKF



Carrying Handle

Enclosure Catalog #
CARRY HANDLE



Notes: Dimensions are in inches. Millimeters shown are for reference only. Data subject to change without notice.

Type 4X Fiberglass Enclosures

Fiberglass Accessories

Illustration Sheet and Catalog Number

Discount Schedule: F2

Subclass: G00

Encapsulated Screws

Enclosure Catalog #

ENCAP2K

ENCAP4K



ENCAP2K



ENCAP4K

Stainless Steel Screws

Enclosure Catalog #	Description
---------------------	-------------

SS2PK	Set of 2
-------	----------

SS4PK	Set of 4
-------	----------



SS2PK



SS4PK

Mounting Feet

Enclosure Catalog #

MTGFTKITS



Notes: Dimensions are in inches. Millimeters shown are for reference only. Data subject to change without notice.



Wall-Mount Enclosures Type 12 Flange-Mount	296-298
Wall-Mount Enclosures Type 4 & 4X Premier™ Series 2-Point or 3-Point Locking	299-300
Wall-Mount Enclosures Disconnect Mechanisms	301-306
Ground-Mount Enclosures Type 12 Center & Flange-Mount Floor-Standing 3-Point Locking	307-311
Floor-Standing Enclosures Disconnect Mechanisms	312-319
Ground-Mount Enclosures Type 12 Heavy-Duty Single & Multi Door Flange-Mount Free-Standing 3-Point Locking	320-326
Ground-Mount Enclosures Type 12 Modular Free-Standing	327-331
Free-Standing Enclosures Disconnect Mechanisms	332-339

Disconnect Enclosures

Wall-Mount Enclosures Type 12 Flange-Mount Data Sheet

Disconnect Encl.



Application

- Houses electrical controls and instruments
- Protects against circulating dust, falling dirt and dripping noncorrosive liquids
- **Designed to house the following:**
 1. Allen-Bradley[†] Bulletin 1494V or 1494U disconnect switches with flange-mounted variable depth operating mechanisms and Bulletin 1494V or 1494U flange-mounted variable depth operating mechanisms for circuit breakers.
 2. Cutler-Hammer[†] Type C361 flange-mounted variable depth operating mechanisms with disconnect switches and Type C371 flange mounted variable depth operating mechanisms for circuit breakers. Also Flex Shaft™ handle mechanisms for circuit breakers.
 3. General Electric[†] Type STDA flange handles and variable depth operating mechanisms for disconnect switches and circuit breakers. Also Spectra Flex™ cable operators for circuit breakers.
 4. I-T-E Max-Flex™[†] flange-mounted variable depth operating handle for disconnect switches and circuit breakers as well as some fixed depth operators for disconnect switches.
 5. Square D[†] Class 9422 disconnect switches with flange-mounted variable depth operating mechanisms or cable mechanisms and Class 9422 flange-mounted variable depth operating mechanisms or cable mechanisms for circuit breakers.
 6. ABB Controls[†] flange-mounted variable depth operating mechanisms for disconnect switches and circuit breakers.

Standards

- UL 508A listed, Type 12 and Type 13
- CSA C22.2 No.94 certified, Type 12 and Type 13
- Conforms to NEMA standard for Type 12 and Type 13

Finish

- Wash and phosphate undercoat
- ANSI 61 gray polyester powder finish

Accessories

- Panels
- Touch-up paint
- See Accessories section

Construction

- Enclosure and door are fabricated from (14) gauge steel
- All continuous welded seams are finished smooth
- Door is secured to the body with a heavy-duty continuous hinge
- Door has an interlock bracket, collar studs and hardware to accept a door closing mechanism
- Door has a seamless poured in-place gasket
- Ground stud provided on door and body
- Print pocket provided
- Formed lip around enclosure opening diverts liquids and contaminants
- Holes are provided on body flange and door for mounting a disconnect operating mechanism, (mechanism not furnished with enclosure – see manufacturer's table, pages 301 - 306)
- Enclosures include a properly sized 2-pt latching bar (under 40 inches) or a 3-point latching bar (40 inches or higher)
- .375-16 collar studs are provided for mounting optional panel
- External mounting feet are provided for secure wall mounting

Discount Schedule: C2

Subclass: D00

Important Note

Latching bar, latching bar bracket interlock, hardware and instruction sheet to locate and install disconnects are furnished with enclosure.

Disconnect switch (or circuit breaker), operating handle, operating mechanism and door closing hardware are **not** furnished with enclosure, see disconnect ordering information pages 301-306

[†] Marks are the property of their respective owners.

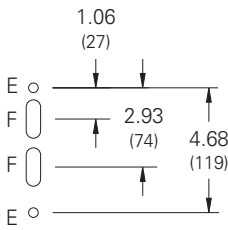
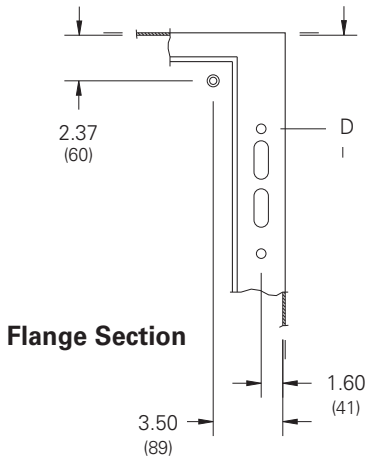
Notes: We can provide special sizes, finishes and other modifications. Consult the factory for your special requirements.

Wall-Mount Enclosures Type 12 Flange-Mount Illustration Sheet and Catalog Number

Disconnect Encl.

Enclosure Catalog Number	Enclosure Size Height x Width x Depth A x B x C		Panel Catalog Number	Panel Size Height x Width	
	in.	mm		in.	mm
	FD20218-12	20.00 x 21.37 x 8.00		508 x 543 x 203	AW2020P
FD24218-12	24.00 x 21.37 x 8.00	610 x 543 x 203	AW2420P	20.87 x 16.87	530 x 428
FD24258-12	24.00 x 25.37 x 8.00	610 x 644 x 203	AW2424P	20.87 x 20.87	530 x 530
FD30218-12	30.00 x 21.37 x 8.00	762 x 543 x 203	AW3020P	26.87 x 16.87	682 x 428
FD30258-12	30.00 x 25.37 x 8.00	762 x 644 x 203	AW3024P	26.87 x 20.87	682 x 530
FD36258-12	36.00 x 25.37 x 8.00	914 x 644 x 203	AW3624P	32.87 x 20.87	835 x 530
FD36318-12	36.00 x 31.37 x 8.00	914 x 797 x 203	AW3630P	32.87 x 26.87	835 x 682
FD42318-12	42.00 x 31.37 x 8.00	1067 x 797 x 203	AW4230P	38.87 x 26.87	987 x 682
FD42378-12	42.00 x 37.37 x 8.00	1067 x 949 x 203	AW4236P	38.87 x 32.87	987 x 835
FD48378-12	48.00 x 37.37 x 8.00	1219 x 949 x 203	AW4836P	44.87 x 32.87	1140 x 835
FD60378-12	60.00 x 37.37 x 8.00	1524 x 949 x 203	AW6036P	56.87 x 32.87	1444 x 835
FD202110-12	20.00 x 21.37 x 10.00	508 x 543 x 254	AW2020P	17.00 x 17.00	432 x 432
FD242110-12	24.00 x 21.37 x 10.00	610 x 543 x 254	AW2420P	20.87 x 16.87	530 x 428
FD242510-12	24.00 x 25.37 x 10.00	610 x 644 x 254	AW2424P	20.87 x 20.87	530 x 530
FD302110-12	30.00 x 21.37 x 10.00	762 x 543 x 254	AW3020P	26.87 x 16.87	682 x 428
FD302510-12	30.00 x 25.37 x 10.00	762 x 644 x 254	AW3024P	26.87 x 20.87	682 x 530
FD362510-12	36.00 x 25.37 x 10.00	914 x 644 x 254	AW3624P	32.87 x 20.87	835 x 530
FD363110-12	36.00 x 31.37 x 10.00	914 x 797 x 254	AW3630P	32.87 x 26.87	835 x 682
FD423110-12	42.00 x 31.37 x 10.00	1067 x 797 x 254	AW4230P	38.87 x 26.87	987 x 682
FD423710-12	42.00 x 37.37 x 10.00	1067 x 949 x 254	AW4236P	38.87 x 32.87	987 x 835
FD483710-12	48.00 x 37.37 x 10.00	1219 x 949 x 254	AW4836P	44.87 x 32.87	1140 x 835
FD603710-12	60.00 x 37.37 x 10.00	1524 x 949 x 254	AW6036P	56.87 x 32.87	1444 x 835
FD302512-12	30.00 x 25.37 x 12.00	762 x 644 x 305	AW3024P	26.87 x 20.87	682 x 530
FD363112-12	36.00 x 31.37 x 12.00	914 x 797 x 305	AW3630P	32.87 x 26.87	835 x 682
FD423112-12	42.00 x 31.37 x 12.00	1067 x 797 x 305	AW4230P	38.87 x 26.87	987 x 682
FD423712-12	42.00 x 37.37 x 12.00	1067 x 949 x 305	AW4236P	38.87 x 32.87	987 x 835
FD483712-12	48.00 x 37.37 x 12.00	1219 x 949 x 305	AW4836P	44.87 x 32.87	1140 x 835
FD603712-12	60.00 x 37.37 x 12.00	1524 x 949 x 305	AW6036P	56.87 x 32.87	1444 x 835
FD603712A-12*	60.00 x 37.37 x 12.00	1524 x 949 x 305	AW6036P	56.87 x 32.87	1444 x 835
FD363116-12	36.00 x 31.37 x 16.00	914 x 797 x 406	AW3630P	32.87 x 26.87	835 x 682
FD483716-12	48.00 x 37.37 x 16.00	1219 x 949 x 406	AW4836P	44.87 x 32.87	1140 x 835
FD603716-12	60.00 x 37.37 x 16.00	1524 x 949 x 406	AW6036P	56.87 x 32.87	1444 x 835

* The 400 amp and 600 amp Allen-Bradley† Bulletin 1494V or 1494U disconnect switches and I-T-E Siemens† 800 amp and 1200 amp circuit breakers will not fit any other enclosure except catalog number FD603712A-12. Enclosures 12 inches and 16 inches deep can be modified to accept I-T-E Siemens† 800 amp and 1200 amp circuit breakers. When enclosure "A" dimension is 30, 36, or 42 inches, verify the amount of wire bend space required for both the line and load sides.



D (When enclosure depth is:)							
8		10		12		16	
in.	mm	in.	mm	in.	mm	in.	mm
4.75	121	7.09	180	11.62	295	11.62	295

E = .28 (7) Dia. hole
F = .50 x 1.50 (13x38) slot

Flange Hole Location Table

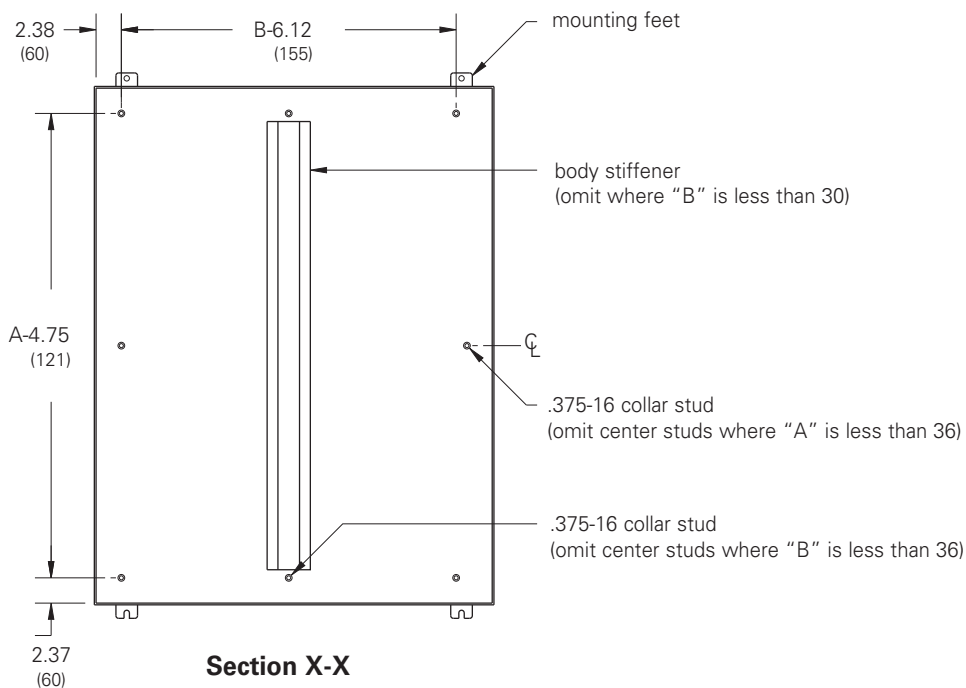
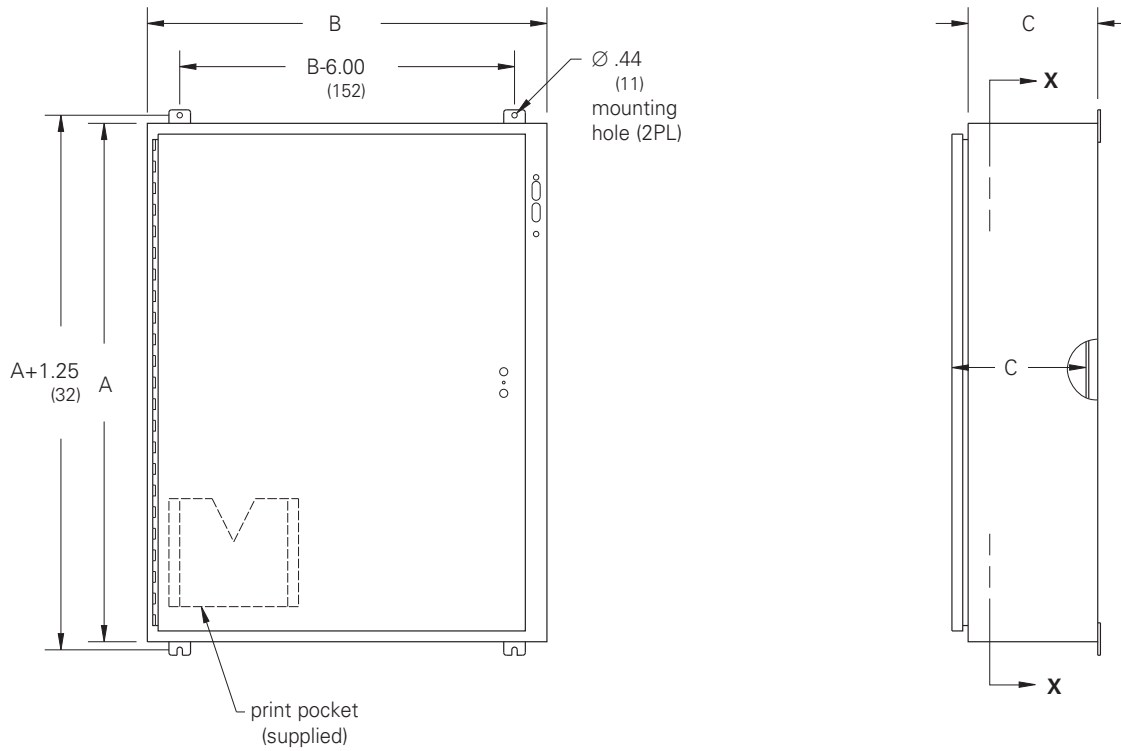
† Marks are the property of their respective owners.

Notes: Catalog number FD603712A-12 has a larger cutout in the enclosure flange to accommodate the Allen-Bradley 1494V-H2 and the I-T-E FHOHN operating handles. Dimensions are in inches. Millimeters shown are for reference only. Data subject to change without notice.

Disconnect Enclosures

Wall-Mount Enclosures Type 12 Flange-Mount Illustration Sheet

Disconnect Encl.



Notes: Dimensions are in inches. Millimeters shown are for reference only. Data subject to change without notice.

Wall-Mount Enclosures - Type 4 & 4X Premier™ Series with 2-Point or 3-Point Locking Data Sheet



Application

- Provides housing for electrical controls and instruments
- Suitable for indoor or outdoor use
- Protects against circulating and windblown dust, falling dirt, dripping non-corrosive liquids, rain, splashing water, and hose-directed water

• Designed to house the following:

1. Allen-Bradley† Bulletin 1494V or 1494U disconnect switches with flange-mounted variable depth operating mechanisms and Bulletin 1494V or 1494U flange-mounted variable depth operating mechanisms for circuit breakers.
2. Cutler-Hammer† Type C361 flange-mounted variable depth operating mechanisms with disconnect switches and Type C371 flange-mounted variable depth operating mechanisms for circuit circuit breakers. Also Flex Shaft™ handle mechanisms for circuit breakers.
3. General Electric† Type STDA flange handles and variable depth operating mechanisms for disconnect switches and circuit breakers. Also Spectra Flex™ cable operators for circuit breakers.
4. ITE Max-Flex™† flange-mounted variable depth operating handle for disconnect switches and circuit breakers, as well as some fixed depth operators for disconnect switches.
5. Square D† Class 9422 disconnect switches with flange mounted variable depth operating mechanisms and Class 9422 flange-mounted variable depth operating mechanisms or cable mechanisms for circuit breakers.
6. ABB Controls† flange-mounted variable depth operating mechanisms for disconnect switches and circuit breakers.

† Marks are the property of their respective owners.

Standards

- UL 508A listed, Type 4 or 4X, Type 12 and Type 13
- CSA C22.2 No.94 certified, Type 12 and Type 13
- Conforms to NEMA standard for Type 4 and Type 12/13

Finish

- Wash and phosphate undercoat
- ANSI 61 gray polyester powder finish
- Stainless enclosures are offered with a brushed finish in both 304 and 316L stainless steel.

Accessories

- Premier panels
- NEMA panel adapters
- Depth adjustment brackets
- Print pockets
- Mounting foot kits
- Swing-out panels

Construction

- Enclosure and door are fabricated from code gauge steel (see table)
- Hardware kit (provided) contains grounding hardware, .312-18 flanged hex nuts for panel mounting, and sealing washers for body mounting holes
- Body flange trough design, formed around body opening, diverts liquid contaminants away from door opening
- Reduced width flange design increases enclosure opening
- Ground stud provided on enclosure body with provision on door
- .312-18 collar studs are provided for mounting optional Premier panels
- Enclosure mounting holes in body provided for direct mounting or optional mounting feet
- Utility bracket provides wire management and accessory mounting
- Padlocking "tool-to-open" handle with 2-point or 3-point door closing hardware installed
- Door is secured to the body with a concealed hinge
- Door is easily removed and interchangeable
- Door has a seamless foam-in-place gasket
- Door opens 170° for easy access
- Latching system interlocks with the disconnect handle for added safety

Discount Schedule: C2

**Subclass: TCD (Type 4)
TED (Type 4X)**

Important Note

Door closing hardware, handle, latching bar, latching bar bracket interlock, hardware and instruction sheet to locate and install disconnects are furnished with enclosure.

Disconnect switch (or circuit breaker), operating handle and operating mechanism are **not** furnished with enclosure, see disconnect ordering information pages 301 - 306

Notes: We can provide special sizes, finishes and other modifications. Consult the factory for your special requirements.

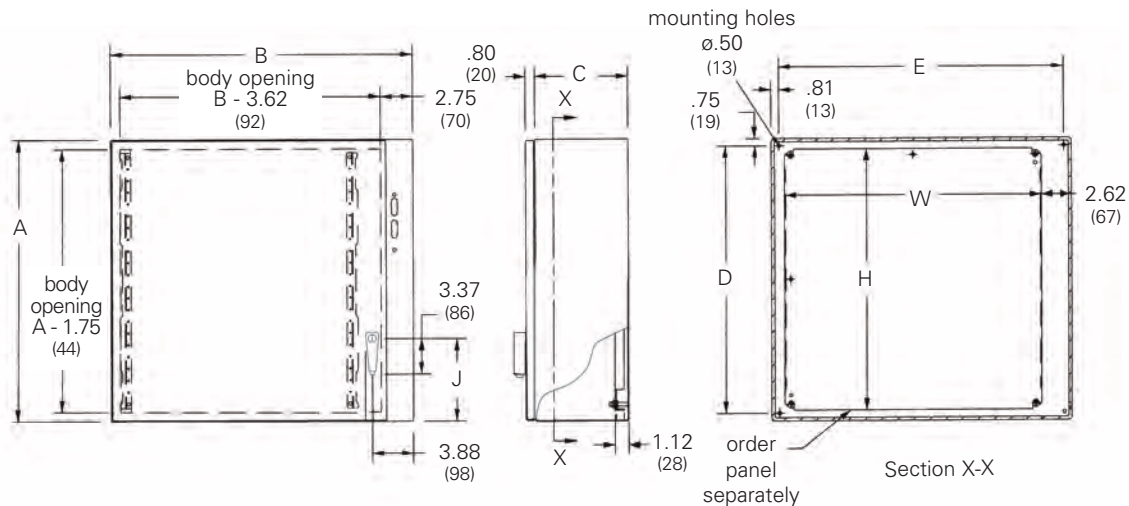
Disconnect Enclosures

Wall-Mount Enclosures - Type 4 & 4X Premier™ Series with 2-Point or 3-Point Locking Illustration Sheet and Catalog Number

Disconnect Encl.

Enclosure Catalog Number	Door Gauge in.	Body Gauge in.	Enclosure Size Height x Width x Depth A x B x C		Panel Catalog Number	Panel Size H x W		Mounting D x E		J	
			in.	mm		in.	mm	in.	mm	in.	mm
DSC20228 DSC20228SS4 DSC20228SS6	14	16	20.00 x 22.00 x 8.00	508 x 559 x 203	2020P 2020PSS4 --	18.00 x 18.00	457 x 457	18.50 x 20.37	470 x 518	5.0	127
DSC24228 DSC24228SS4 DSC24228SS6	14	16	24.00 x 22.00 x 8.00	610 x 559 x 203	2420P 2420PSS4 --	22.00 x 18.00	559 x 457	22.50 x 20.37	572 x 518	6.0	153
DSC24268 DSC24268SS4 DSC24268SS6	14	16	24.00 x 26.00 x 8.00	610 x 660 x 203	2424P 2424PSS4 --	22.00 x 22.00	559 x 559	22.50 x 24.37	572 x 619	6.0	153
DSC30268 DSC30268SS4 DSC30268SS6	14	16	30.00 x 26.00 x 8.00	762 x 660 x 203	3024P 3024PSS4 --	28.00 x 22.00	711 x 559	28.50 x 24.37	724 x 619	6.0	153
DSC36268 DSC36268SS4 DSC36268SS6	14	14	32.00 x 26.00 x 8.00	914 x 660 x 203	3624P 3624PSS4 --	34.00 x 22.00	864 x 559	34.50 x 24.37	876 x 619	6.0	153
DSC36328 DSC36328SS4 DSC36328SS6	14	14	36.00 x 32.00 x 8.00	914 x 813 x 203	3630P 3630PSS4 --	34.00 x 28.00	864 x 711	34.50 x 30.37	869 x 771	6.0	153
DSC363212 DSC363212SS4 DSC363212SS6	14	14	36.00 x 32.00 x 12.00	914 x 813 x 305	3630P 3630PSS4 --	34.00 x 28.00	864 x 711	34.50 x 30.37	869 x 771	6.0	153
DSC423212 DSC423212SS4 DSC423212SS6	14	14	42.00 x 32.00 x 12.00	1067 x 813 x 305	4230P 4230PSS4 --	40.00 x 28.00	1016 x 711	40.50 x 30.37	1029 x 771	21.0	53
DSC423812 DSC423812SS4 DSC423812SS6	14	14	42.00 x 38.00 x 12.00	1067 x 965 x 305	4236P 4236PSS4 --	40.00 x 34.00	1016 x 864	40.50 x 36.37	1029 x 924	21.0	53
DSC483812 DSC483812SS4 DSC483812SS6	14	14	48.00 x 38.00 x 12.00	1219 x 965 x 305	4836P 4836PSS4 --	46.00 x 34.00	1168 x 864	46.50 x 36.37	1181 x 924	24.0	610
DSC603812 DSC603812SS4 DSC603812SS6	14	14	60.00 x 38.00 x 12.00	1524 x 965 x 305	6036P 6036PSS4 --	58.00 x 34.00	1473 x 864	58.50 x 36.37	1486 x 924	30.0	762
DSC423816 DSC423816SS4 DSC423816SS6	14	14	42.00 x 38.00 x 16.00	1067 x 965 x 406	4236P 4236PSS4 --	40.00 x 34.00	1016 x 864	40.50 x 36.37	1029 x 924	21.0	53
DSC483816 DSC483816SS4 DSC483816SS6	14	14	48.00 x 38.00 x 16.00	1219 x 965 x 406	4836P 4836PSS4 --	46.00 x 34.00	1168 x 864	46.50 x 36.37	1181 x 924	24.0	610
DSC603816 DSC603816SS4 DSC603816SS6	14	14	60.00 x 38.00 x 16.00	1524 x 965 x 406	6036P 6036PSS4 --	58.00 x 34.00	1473 x 864	58.50 x 36.37	1486 x 924	30.0	762

Painted Steel - Part Number alone. Stainless Steel 304 - Part Number with SS4. Stainless Steel 316 - Part Number with SS6.



Notes: Dimensions are in inches. Millimeters shown are for reference only. Data subject to change without notice.

Wall-Mount Enclosures Disconnect Ordering Information Allen-Bradley †

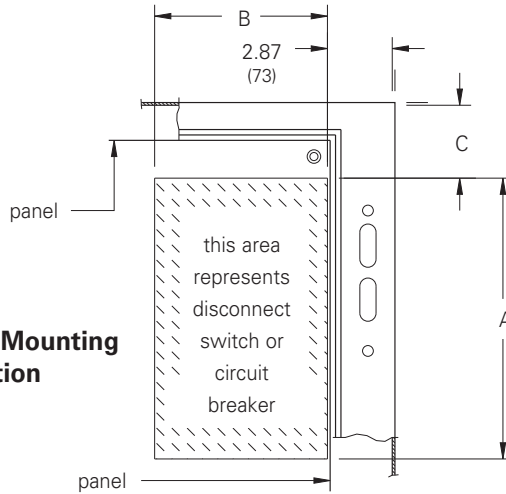
1494V or 1494U Disconnect Mechanism

Allen-Bradley † Mechanism for Switches	Amp	Fuse Clip Rating		Fuse Class	A		B		C (when enclosure depth is:)							
		Amp	Volt		in. mm		in. mm		8		10		12		16	
					in.	mm	in.	mm	in.	mm	in.	mm	in.	mm		
DS30	30A	(non)	(non)	--	5.75	146	6.37	162	2.87	73	5.25	133	9.75	248	9.75	248
DS30	30A	30A	250V	H,K,R	7.12	181	6.37	162	2.87	73	5.25	133	9.75	248	9.75	248
DS30	30A	30A	600V	H,K,R	9.87	251	6.37	162	2.87	73	5.25	133	9.75	248	9.75	248
DS30	30A	30A	600V	J	7.12	181	6.37	162	2.87	73	5.25	133	9.75	248	9.75	248
DS30	30A	60A	250V	H,K	7.87	200	6.37	162	2.87	73	5.25	133	9.75	248	9.75	248
DS30	30A	60A	600V	H,K	10.37	263	6.37	162	2.87	73	5.25	133	9.75	248	9.75	248
DS30	30A	60A	600V	J	7.25	184	6.37	162	2.87	73	5.25	133	9.75	248	9.75	248
DS60	60A	(non)	(non)	--	5.87	149	6.37	162	2.75	70	5.12	130	9.62	244	9.62	244
DS60	60A	60A	250V	H,K,R	8.00	203	6.37	162	2.75	70	5.12	130	9.62	244	9.62	244
DS60	60A	60A	600V	H,K,R	10.50	267	6.37	162	2.75	70	5.12	130	9.62	244	9.62	244
DS60	60A	60A	600V	J	7.37	187	6.37	162	2.75	70	5.12	130	9.62	244	9.62	244
DS60	60A	30A	600V	H,K,R	10.00	254	6.37	162	2.75	70	5.12	130	9.62	244	9.62	244
DS60	60A	100A	250V	H,K	10.50	267	6.37	162	2.75	70	5.12	130	9.62	244	9.62	244
DS60	60A	100A	600V	H,K	12.50	318	6.37	162	2.75	70	5.12	130	9.62	244	9.62	244
DS60	60A	100A	600V	J	9.25	235	6.37	162	2.75	70	5.12	130	9.62	244	9.62	244
DS100	100A	(non)	(non)	--	8.25	210	7.62	194	*	*	3.62	92	8.12	206	8.12	206
DS100	100A	100A	250V	H,K,R	13.87	352	7.62	194	*	*	3.62	92	8.12	206	8.12	206
DS100	100A	100A	600V	H,K,R	15.87	403	7.62	194	*	*	3.62	92	8.12	206	8.12	206
DS100	100A	100A	600V	J	12.62	321	7.62	194	*	*	3.62	92	8.12	206	8.12	206
DS100	100A	200A	600V	H,K	14.75	375	7.62	194	*	*	3.62	92	8.12	206	8.12	206
DS100	100A	200A	600V	H,K	17.25	438	7.62	194	*	*	3.62	92	8.12	206	8.12	206
DS100	100A	200A	600V	J	13.37	340	7.62	194	*	*	3.62	92	8.12	206	8.12	206

Allen-Bradley † Mechanism for Circuit Breakers	Amp	Circuit Breaker Type		A		B		C (when enclosure depth is:)							
		Manufacturer	Frame(s)	in. mm		in. mm		8		10		12		16	
				in.	mm	in.	mm	in.	mm	in.	mm	in.	mm		
M40	150A	General Electric	TED, THED, TEC	6.12	155	4.25	108	4.25	108	6.62	168	11.12	282	11.12	282
M40	150A	Westinghouse	F (series C)	5.50	140	4.25	108	4.25	108	6.62	168	11.12	282	11.12	282
M50	250A	Westinghouse	J (series C)	11.00	279	4.50	114	*	*	*	*	10.62	270	10.62	270
M60	400A	Westinghouse	K (series C)	11.00	279	5.87	149	*	*	*	*	10.50	267	10.50	267

* Do not install disconnects in this depth enclosure.

The dimensional information provided in this table is derived from information supplied by the manufacturer of the equipment to be installed. Fit and function of all equipment should be checked before and after installation to assure proper and safe operation and compliance with the applicable regulations, codes and standards.



Disconnect Mounting Location

† Marks are the property of their respective owners.

Notes: Dimensions are in inches. Millimeters shown are for reference only. Data subject to change without notice.

Disconnect Enclosures

Wall-Mount Enclosures Disconnect Ordering Information Cutler-Hammer †

Disconnect Encl.

C361 Disconnect Mechanism

Cutler-Hammer † Mechanism for Switches	Amp	Fuse Clip Rating		Fuse Class	C (when enclosure depth is:)											
		Amp	Volt		A		B		8		10		12		16	
					in.	mm	in.	mm	in.	mm	in.	mm	in.	mm	in.	mm
NC	30A	(non)	(non)	--	6.00	152	5.75	146	3.50	89	5.75	146	10.25	260	10.25	260
SC21	30A	30A	250V	H,K,R	9.00	229	5.75	146	3.50	89	5.75	146	10.25	260	10.25	260
SC61	30A	30A	600V	H,K,R	9.00	229	5.75	146	3.50	89	5.75	146	10.25	260	10.25	260
SC61	30A	30A	600V	J	9.00	229	5.75	146	3.50	89	5.75	146	10.25	260	10.25	260
SC61	30A	60A	250V	H,K,R	9.50	241	5.75	146	3.50	89	5.75	146	10.25	260	10.25	260
ND	60A	(non)	(non)	--	6.00	152	5.75	146	3.50	89	5.75	146	10.25	260	10.25	260
SD22	60A	30A	600V	J	9.00	229	5.75	146	3.50	89	5.75	146	10.25	260	10.25	260
SD22	60A	60A	250V	H,K,R	9.50	241	5.75	146	3.50	89	5.75	146	10.25	260	10.25	260
SD62	60A	60A	600V	H,K,R	9.50	241	5.75	146	3.50	89	5.75	146	10.25	260	10.25	260
SD62	60A	60A	600V	J	9.00	229	5.75	146	3.50	89	5.75	146	10.25	260	10.25	260
NE	100A	(non)	(non)	--	6.00	152	7.12	181	3.00	76	5.37	136	9.87	251	9.87	251
SE263	100A	100A	250V	H,K,R	10.62	270	7.12	181	3.00	76	5.37	136	9.87	251	9.87 ¹	251
SE263	100A	100A	600V	H,K,R	10.62	270	7.12	181	3.00	76	5.37	136	9.87	251	9.87 ¹	251
SE263	100A	100A	600V	J	9.37	238	7.12	181	3.00	76	5.37	136	9.87	251	9.87 ¹	251
NF (2)	200A	(non)	(non)	--	16.75	425	9.75	248	*	*	*	*	8.00	203	8.00 ¹	203
SF264 (2)	200A	200A	250V	H,K,R	16.75	425	9.75	248	*	*	*	*	8.00	203	8.00	203
SF264 (2)	200A	200A	600V	H,K,R	16.75	425	9.75	248	*	*	*	*	8.00	203	8.00	203
SF264 (2)	200A	200A	600V	J	16.75	425	9.75	248	*	*	*	*	8.00	203	8.00	203

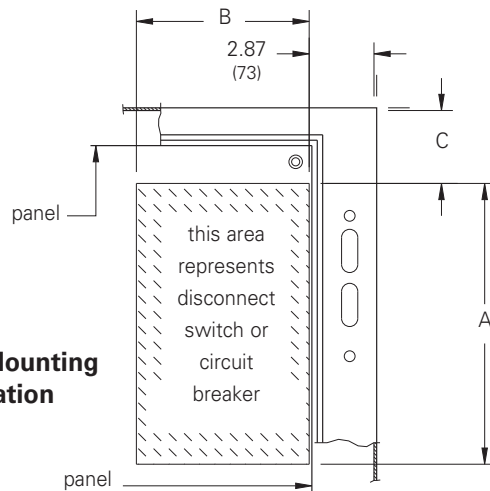
C371 Disconnect Mechanism

Cutler-Hammer † Mechanism for Circuit Breakers	Amp mm	Circuit Breaker Type		C (when enclosure depth is:)											
		Manufacturer in.	Frame(s) mm	A		B		8		10		12		16	
				in.	mm	in.	mm	in.	mm	in.	mm	in.	mm	in.	mm
C371E (1)	150A	Cutler-Hammer	HMCP,FS,FH	6.50	165	5.25	133	4.43	113	6.81	173	11.43	290	11.43 ¹	290
C371F (1)	225A	Cutler-Hammer	HMCP,JS,JH,JL	11.50	292	7.75	197	*	*	6.75	171	11.25	286	11.25 ¹	286
C371F (1)	400A	Cutler-Hammer	HMCP,KS,KH	10.50	267	7.75	197	*	*	*	*	10.75	273	10.75 ¹	273
C371G (1)	600A	Cutler-Hammer	LS,LH	9.75	248	11.62	295	*	*	*	*	9.25	235	9.25 ¹	235
C371E (1)	150A	Westinghouse	F (series C)	6.50	165	5.25	133	4.43	113	6.81	173	11.43	290	11.43 ¹	290
C371F (1)	250A	Westinghouse	J (series C)	11.50	292	7.75	197	*	*	6.75	171	11.25	286	11.25 ¹	286
C371F (1)	400A	Westinghouse	K (series C)	10.50	267	7.75	197	*	*	*	*	10.75	273	10.75 ¹	273
C371G (1)	600A	Westinghouse	LA,LC	10.87	276	11.62	295	*	*	*	*	9.25	235	9.25 ¹	235

- * Do not install disconnects in this depth enclosure.
- (1) Wire bending space "C" does not allow for the maximum size cable in some depth enclosures.
- (2) Do not install 200A switch in enclosures less than 30 inches high.

The dimensional information provided in this table is derived from information supplied by the manufacturer of the equipment to be installed. Fit and function of all equipment should be checked before and after installation to assure proper and safe operation and compliance with the applicable regulations, codes and standards.

Disconnect Mounting Location



† Marks are the property of their respective owners.

Notes: Dimensions are in inches. Millimeters shown are for reference only. Data subject to change without notice.

Wall-Mount Enclosures Disconnect Ordering Information General Electric †

TDA Disconnect Mechanism

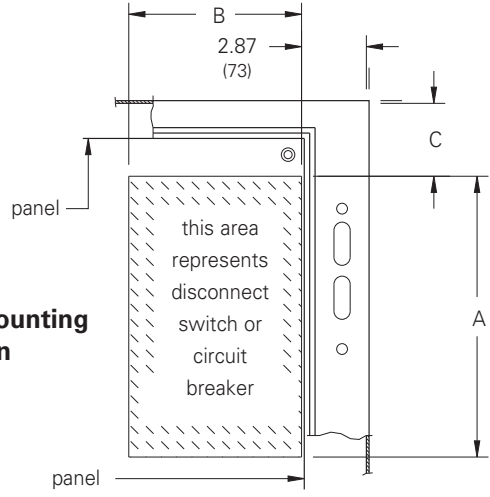
Disconnect Encl.

General Electric † Mechanism for Switches	Amp	Fuse Clip Rating		Fuse Class	A		B		C (when enclosure depth is:)							
		Amp	Volt		in. mm		in. mm		8		10		12		16	
					in.	mm	in.	mm	in.	mm	in.	mm	in.	mm	in.	mm
TDOM1A	30A	(non)	(non)	--	6.31	160	5.00	127	6.18	157	7.62	194	12.12	308	12.12	308
TDOM1A	30A	30A	250V	H,R	6.31	160	5.00	127	6.18	157	7.62	194	12.12	308	12.12	308
TDOM1B	30A	30A	600V	H,R	10.93	278	5.00	127	6.18	157	7.62	194	12.12	308	12.12	308
TDOM1B	30A	30A	250V	H,R	10.93	278	5.00	127	6.18	157	7.62	194	12.12	308	12.12	308
TDOM1B	30A	60A	600V	H,R	10.93	278	5.00	127	6.18	157	7.62	194	12.12	308	12.12	308
TDOM1A	60A	(non)	(non)	--	6.31	160	5.00	127	6.18	157	7.62	194	12.12	308	12.12	308
TDOM1B	60A	60A	250V	H,R	10.93	278	5.00	127	6.18	157	7.62	194	12.12	308	12.12	308
TDOM1B	60A	60A	600V	H,R	10.93	278	5.00	127	6.18	157	7.62	194	12.12	308	12.12	308
TDOM1B	60A	100A	250V	H,R	10.93	278	5.00	127	6.18	157	7.62	194	12.12	308	12.12	308
TDOM1B	60A	100A	600V	H,R	10.93	278	5.00	127	6.18	157	7.62	194	12.12	308	12.12	308
TDOM1A	100A	(non)	(non)	--	6.31	160	5.00	127	6.18	157	7.62	194	12.12	308	12.12	308
TDOM1B	100A	100A	250V	H,R	10.93	278	5.00	127	6.18	157	7.62	194	12.12	308	12.12	308
TDOM1B	100A	100A	600V	H,R	10.93	278	5.00	127	6.18	157	7.62	194	12.12	308	12.12	308
TDOM1B	100A	200A	250V	H,R	10.93	278	5.00	127	6.18	157	7.62	194	12.12	308	12.12	308
TDOM1B	100A	200A	600V	H,R	10.93	278	5.00	127	6.18	157	7.62	194	12.12	308	12.12	308
TDOM2	200A	(non)	(non)	--	9.12	232	8.87	225	*	*	*	*	9.50	241	9.50	241
TDOM2	200A	200A	250V	H,R	17.50	445	8.87	225	*	*	*	*	9.50	241	9.50	241
TDOM2	200A	200A	600V	H,R	17.50	445	8.87	225	*	*	*	*	9.50	241	9.50	241

General Electric † Mechanism for Circuit Breakers	Amp	Circuit Breaker Type	A		B		C (when enclosure depth is:)							
			in. mm		in. mm		8		10		12		16	
			in.	mm	in.	mm	in.	mm	in.	mm	in.	mm	in.	mm
TDOM1A	150A	TEB,TEC,TED,THED	6.43	163	5.00	127	6.06	154	7.50	191	12.06	306	12.06	306
TDOM1B	150A	TBI,TEC,TECL	11.06	281	5.00	127	6.06	154	7.50	191	12.06	306	12.06	306
TDOM1C	150A	TEL	6.43	163	5.00	127	6.06	154	7.50	191	12.06	306	12.06	306
TDOM1D	150A	THLCI	9.75	248	5.00	127	*	*	5.12	130	9.62	244	9.62	244
TDOM3	225A	TFJ,TFK,THFK,TFL	11.43	290	5.50	127	*	*	6.06	154	10.62	270	10.62	270
TDOM4	400A	TJJ,TJK4,THJK4,TJL4V	10.25	260	9.12	232	*	*	5.12	130	9.68	246	9.68	246
TDOM4	600A	TJK6,THJK6,TJ4V,TJL4V	10.25	260	9.12	232	*	*	5.12	130	9.68	246	9.68	246
TDOM5	400A	TB4,TJH6S	16.25	413	9.12	232	*	*	5.12	130	9.68	246	9.68	246
TDOM6	225A	TLB2,THLC2	14.25	362	9.12	232	*	*	*	*	9.12	232	9.12	232
TDOM6	400A	TLB4,THLC4	15.62	397	9.12	232	*	*	*	*	7.75	197	7.75	197

* Do not install disconnects in this depth enclosure.

The dimensional information provided in this table is derived from information supplied by the manufacturer of the equipment to be installed. Fit and function of all equipment should be checked before and after installation to assure proper and safe operation and compliance with the applicable regulations, codes and standards.



Disconnect Mounting Location

† Marks are the property of their respective owners.

Notes: Dimensions are in inches. Millimeters shown are for reference only. Data subject to change without notice.

Disconnect Enclosures

Wall-Mount Enclosures

Disconnect Ordering Information

I-T-E Siemens® †

MAX-FLEX Disconnect Mechanism

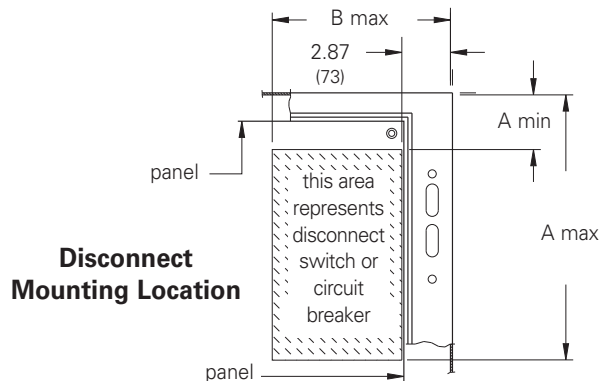
Disconnect Encl.

Encl. Depth	I-T-E † Mechanism for Circuit Breaker	Cable Length	Amp	Circuit Breaker Frame	A ⁽¹⁾								B ⁽²⁾			
					device		nominal		min		max		device		max	
					in.	mm	in.	mm	in.	mm	in.	mm	in.	mm	in.	mm
8	FHOE036	36	125A	ED,HED,ED6ETI	6.37	162	10.12	257	1.25	32	21.00	533	3.00	76	14.50	368
	FHOE036	36	125A	CED6ETI	8.50	216	13.25	337	4.50	114	24.25	616	3.00	76	14.50	368
	FHOF036	36	250A	FD,HFD,FXD,FXDETI	9.50	241	10.37	263	1.00	25	21.25	540	4.50	114	13.00	330
	FHOF036	36	250A	CFD,CFDETI	14.12	359	15.00	381	3.12	79	21.25	540	4.50	114	13.00	330
	FHOJ036	36	400A	JD,HJD,JXD2,JXD6	11.00	279	10.00	254	1.12	28	20.87	530	7.50	191	14.50	368
	FHOJ036	36	400A	SJD,SHJD,JXD6ETI	11.00	279	10.00	254	1.12	28	20.87	530	7.50	191	14.50	368
	FHOJ036	36	400A	CJD,SCJD,CJD6ETI	17.87	454	16.87	428	6.75	171	26.50	673	7.50	191	14.50	368
	FHOJ036	36	600A	LD,LXD,HLD	11.00	279	10.00	254	1.12	28	20.87	530	7.50	191	14.50	368
	FHOJ036	36	600A	SLD,SHLD,LXD6ETI	11.00	279	10.00	254	1.12	28	20.87	530	7.50	191	14.50	368
10	FHOE036	36	125A	ED,HED,ED6ETI	6.37	162	12.50	318	2.62	67	22.87	581	3.00	76	14.25	362
	FHOE036	36	125A	CED6ETI	8.50	216	16.62	422	5.87	149	26.12	663	3.00	76	14.25	362
	FHOF036	36	250A	FD,HFD,FXD,FXDETI	9.50	241	12.75	324	2.87	73	23.12	587	4.50	114	12.75	324
	FHOF036	36	250A	CFD,CFDETI	14.12	359	17.37	441	5.50	140	28.00	711	4.50	114	12.75	324
	FHOJ036	36	400A	JD,HJD,JXD2,JXD6	11.00	279	12.37	314	2.50	64	22.75	578	7.50	191	14.25	362
	FHOJ036	36	400A	SJD,SHJD,JXD6ETI	11.00	279	12.37	314	2.50	64	22.75	578	7.50	191	14.25	362
	FHOJ036	36	400A	CJD,SCJD,CJD6ETI	17.87	454	19.25	489	9.37	238	29.62	750	7.50	191	14.25	362
	FHOJ036	36	600A	LD,LXD,HLD	11.00	279	12.37	314	2.50	64	22.75	578	7.50	191	14.25	362
	FHOJ036	36	600A	SLD,SHLD,LXD6ETI	11.00	279	12.37	314	2.50	64	22.75	578	7.50	191	14.25	362
12	FHOE036	36	125A	ED,HED,ED6ETI	6.37	162	17.00	432	6.37	162	27.50	699	3.00	76	13.75	349
	FHOE036	36	125A	CED6ETI	8.50	216	19.87	505	9.62	244	30.37	771	3.00	76	13.75	349
	FHOF036	36	250A	FD,HFD,FXD,FXDETI	9.50	241	17.25	438	6.62	168	27.37	695	4.50	114	12.25	311
	FHOF036	36	250A	CFD,CFDETI	14.12	359	21.87	555	11.37	289	32.12	816	4.50	114	12.25	311
	FHOJ036	36	400A	JD,HJD,JXD2,JXD6	11.00	279	16.87	428	6.25	159	26.87	682	7.50	191	13.75	349
	FHOJ036	36	400A	SJD,SHJD,JXD6ETI	11.00	279	16.87	428	6.25	159	26.87	682	7.50	191	13.75	349
	FHOJ036	36	400A	CJD,SCJD,CJD6ETI	17.87	454	23.75	603	13.12	333	33.87	860	7.50	191	13.75	349
	FHOJ036	36	600A	LD,LXD,HLD	11.00	279	16.87	428	6.25	159	26.87	682	7.50	191	13.75	349
	FHOJ036	36	600A	SLD,SHLD,LXD6ETI	11.00	279	16.87	428	6.25	159	26.87	682	7.50	191	13.75	349
16	FHOE036	36	125A	ED,HED,ED6ETI	6.37	162	17.00	432	7.75	197	26.50	673	3.00	76	11.50	292
	FHOE036	36	125A	CED6ETI	8.50	216	19.87	505	11.12	282	29.87	759	3.00	76	11.50	292
	FHOF036	36	250A	FD,HFD,FXD,FXDETI	9.50	241	17.25	438	8.12	206	26.87	682	4.50	114	10.00	254
	FHOF036	36	250A	CFD,CFDETI	14.12	359	21.87	555	13.00	330	31.62	803	4.50	114	10.00	254
	FHOJ036	36	400A	JD,HJD,JXD2,JXD6	11.00	279	16.87	428	7.62	194	26.37	670	7.50	191	11.50	292
	FHOJ036	36	400A	SJD,SHJD,JXD6ETI	11.00	279	16.87	428	7.62	194	26.37	670	7.50	191	11.50	292
	FHOJ036	36	400A	CJD,SCJD,CJD6ETI	17.87	454	23.75	603	14.62	371	33.37	848	7.50	191	11.50	292
	FHOJ036	36	600A	LD,LXD,HLD	11.00	279	16.87	428	7.62	194	26.37	670	7.50	191	11.50	292
	FHOJ036	36	600A	SLD,SHLD,LXD6ETI	11.00	279	16.87	428	7.62	194	26.37	670	7.50	191	11.50	292

- (1) Flexible operating cable allows disconnect to be mounted within minimum and maximum of "A" dimension when "B" is min. (2.87).
 (2) Flexible operating cable allows disconnect to be mounted within minimum, (2.87) and maximum of "B" dimension when "A" is nominal.

The dimensional information provided in this table is derived from information supplied by the manufacturer of the equipment to be installed. Fit and function of all equipment should be checked before and after installation to assure proper and safe operation and compliance with the applicable regulations, codes and standards.

† Marks are the property of their respective owners.



Notes: Dimensions are in inches. Millimeters shown are for reference only. Data subject to change without notice.

Wall-Mount Enclosures Disconnect Ordering Information Square D® †

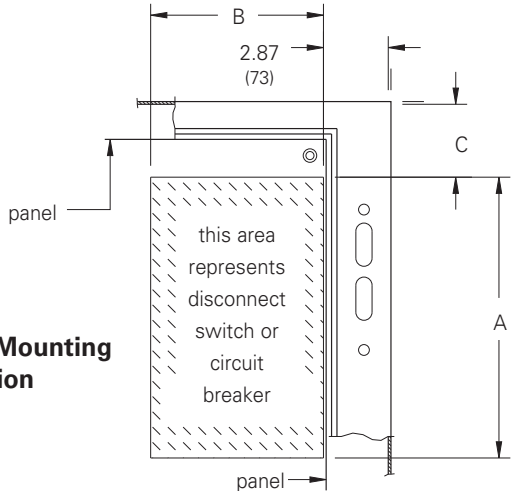
9422 Disconnect Mechanism

Square D † Mechanism for Switches	Amp	Fuse Clip Rating		Fuse Class	A		B		C (when enclosure depth is:)							
		Amp	Volt						8		10		12		16	
		in.	mm		in.	mm	in.	mm	in.	mm	in.	mm	in.	mm		
RC-1	30A	(non)	(non)	--	3.37	86	6.87	174	4.62	117	7.00	178	11.50	292	11.50	292
RC-2	30A	30A	250V	H,K,R	5.12	130	6.87	174	4.62	117	7.00	178	11.50	292	11.50	292
RC-3	30A	30A	600V	H,K,R	8.12	206	6.87	174	4.62	117	7.00	178	11.50	292	11.50	292
RC-3	30A	30A	600V	J	5.12	130	6.87	174	4.62	117	7.00	178	11.50	292	11.50	292
RC-3	30A	60A	250V	H,K,R	6.12	155	6.87	174	4.62	117	7.00	178	11.50	292	11.50	292
TC-1	30A	(non)	(non)	--	7.75	197	5.75	146	3.12	79	5.12	130	10.50	267	10.50	267
TC-2	30A	30A	250V	H,K,R	7.75	197	5.75	146	3.12	79	5.12	130	10.50	267	10.50	267
TC-3	30A	30A	600V	H,K,R	7.75	197	5.75	146	3.12	79	5.12	130	10.50	267	10.50	267
TC-3	30A	30A	600V	J	7.75	197	5.75	146	3.12	79	5.12	130	10.50	267	10.50	267
TC-3	30A	60A	250V	H,K,R	7.75	197	5.75	146	3.12	79	5.12	130	10.50	267	10.50	267
TD-1	60A	(non)	(non)	--	9.50	241	6.37	162	3.62	92	6.00	152	10.50	267	10.50	267
TD-2	60A	30A	600V	H,K,R	9.50	241	6.37	162	3.62	92	6.00	152	10.50	267	10.50	267
TD-2	60A	60A	250V	H,K,R	7.62	194	6.37	162	3.62	92	6.00	152	10.50	267	10.50	267
TD-3	60A	60A	600V	H,K,R	10.12	257	6.37	162	3.62	92	6.00	152	10.50	267	10.50	267
TD-3	60A	60A	600V	J	7.62	194	6.37	162	3.62	92	6.00	152	10.50	267	10.50	267
TE-1	100A	(non)	(non)	--	6.12	155	8.12	206	*	*	5.75	146	10.25	260	10.25	260
TE-2	100A	100A	250V	H,K,R	8.87	225	8.12	206	*	*	5.75	146	10.25	260	10.25	260
TE-2	100A	100A	600V	H,K,R	10.87	276	8.12	206	*	*	5.75	146	10.25	260	10.25	260
TE-2	100A	100A	600V	J	7.62	194	8.12	206	*	*	5.75	146	10.25	260	10.25	260
TE-3	100A	200A	600V	J	15.12	384	8.12	206	*	*	5.75	146	10.25	260	10.25	260
TF-1	200A	(non)	(non)	--	8.25	210	11.37	289	*	*	*	*	8.87	225	8.87	225
TF-2	200A	200A	250V	H,K,R	14.25	362	11.37	289	*	*	*	*	8.87	225	8.87	225
TF-2	200A	200A	600V	H,K,R	16.75	425	11.37	289	*	*	*	*	8.87	225	8.87	225
TF-2	200A	200A	600V	J	12.87	327	11.37	289	*	*	*	*	8.87	225	8.87	225
TF-3	200A	400A	600V	J	17.25	438	11.37	289	*	*	*	*	8.87	225	8.87	225

Square D † Mechanism for Circuit Breakers	Amp	Circuit Breaker Type		A		B		C (when enclosure depth is:)							
		in.	mm					mm	in.	mm	in.	mm	mm	in.	mm
		in.	mm	in.	mm	in.	mm	in.	mm	in.	mm	in.	mm		
RN-1	100A	FAL,FHL,FCL		6.12	155	4.25	108	3.75	95	6.12	155	10.62	270	10.62	270
RP-1	250A	KAL,KHL,KCL		7.37	187	4.25	108	*	*	6.87	174	11.37	289	11.37	289
RR-1	400A	LAL,LHL,Q4L		12.25	311	4.50	114	*	*	*	*	7.00	178	7.00	178
RR-2	400A	ILL		11.12	282	5.87	149	*	*	*	*	11.37	289	11.37	289

* Do not install disconnects in this depth enclosure.

The dimensional information provided in this table is derived from information supplied by the manufacturer of the equipment to be installed. Fit and function of all equipment should be checked before and after installation to assure proper and safe operation and compliance with the applicable regulations, codes and standards.



† Marks are the property of their respective owners.

Notes: Dimensions are in inches. Millimeters shown are for reference only. Data subject to change without notice.

Disconnect Enclosures

Wall-Mount Enclosures Disconnect Ordering Information

Disconnect Encl.

ALLEN-BRADLEY †

Standard enclosure designed to accept variable depth type 1494V / 1494U.

Allen-Bradley† 1494V / 1494U disconnect switch:

1. Disconnect switch and operating mechanism.
2. Operating handle.
3. Trailer fuse block kit, (if required).
4. Fuse clip kit, (if required).
5. Line and load connectors, (if necessary).
6. Door hardware: 2-pt latching mechanism or 3-pt latching mechanism.

Allen-Bradley† 1494V / 1494U circuit breaker:

1. Circuit breaker.
2. Operating mechanism.
3. Operating handle.
4. Door hardware: 2-pt latching mechanism or 3-pt latching mechanism.

CUTLER-HAMMER †

Standard enclosures designed to accept variable depth types C361 and C371.

Cutler-Hammer† C361 disconnect switch:

1. Disconnect switch and operating mechanism.
2. Operating handle.
3. Door hardware: 2-pt latching mechanism or 3-pt latching mechanism.

Cutler-Hammer† C371 circuit breaker:

1. Circuit breaker.
2. Operating mechanism.
3. Operating handle.
4. Door hardware: 2-pt latching mechanism or 3-pt latching mechanism.

GENERAL ELECTRIC †

Standard enclosures designed to accept variable depth type TDA.

General Electric† TDA disconnect switch:

1. Disconnect switch (QMR, QMW) and variable depth operating mechanism.
2. Operating handle.
3. Fuse clip kit or no fuse kit, (if required).
4. Door hardware: 2-pt latching mechanism or 3-pt latching mechanism.

General Electric† TDA circuit breaker:

1. Circuit breaker.
2. Variable depth operating mechanism.
3. Operating handle.
4. Door hardware: 2-pt latching mechanism or 3-pt latching mechanism.

I-T-E SIEMENS †

Standard enclosures designed to accept MAX-FLEX type FHO.

I-T-E Siemens† MAX-FLEX† circuit breaker:

1. Circuit Breaker.
2. Operating mechanism.
3. Operating handle FHOH.
4. Line and load connectors, (if necessary).
5. Operating cable (standard 36 inch).
6. Door hardware: 2-pt latching mechanism or 3-pt latching mechanism.

SQUARE D †

Standard enclosures designed to accept variable depth type 9422.

Square D† 9422 disconnect switch:

1. Disconnect switch and operating mechanism.
2. Operating handle.
3. Door hardware: 2-pt latching mechanism or 3-pt latching mechanism.

Square D† 9422 circuit breaker:

1. Circuit breaker.
2. Operating mechanism.
3. Operating handle.
4. Door hardware: 2-pt latching mechanism or 3-pt latching mechanism.

† Marks are the property of their respective owners.

Important Note

When ordering flange-mounted disconnect equipment be sure to include all the necessary components.

1. Latching bar, latching bar bracket interlock and hardware are furnished with the enclosure.
2. Disconnects and related components are available from the manufacturer, see pages 301 - 306.

Notes: Data subject to change without notice.

Ground-Mount Enclosures Type 12 Center & Flange-Mount Floor-Standing with 3-Point Locking Data Sheet



CD606012-12FD



FD606012-12FD

Application

- Houses electrical controls and instruments
- Protects against circulating dust, falling dirt and dripping noncorrosive liquids

Standards

- UL 508A listed, Type 12
- CSA C22.2 No.94 certified, Type 12
- Conforms to NEMA standard for Type 12

Finish

- Wash and phosphate undercoat
- ANSI 61 gray polyester powder finish

Accessories

- Panels
- Channel mounting hardware
- Blank adapter plates
- Operator adapters
- Leg stabilizer kit
- Touch-up paint
- Replacement handles: defeater handle BD-PDHB and keyed handle BD-PKHB (see pages 428 & 429).
- See Accessories section

Discount Schedule: C2

Subclass: D00

Construction

- Enclosure and door are fabricated from (12) gauge steel
- All continuous welded seams are finished smooth
- Doors are secured to the body with removable concealed hinges and a center locating 3-point key-locking and padlock handle mechanism
- Modern bevel profile on hinge side of enclosure doors
- Right-side door serves as the master door on the flange mount disconnect type with a defeater mechanism which requires a screwdriver to open
- Left-side door serves as the master door on the center post disconnect type with a defeater mechanism which requires a flat screwdriver to open
- Slave doors cannot open without activating mechanical interlock but can close in any order
- Universal opening on either the right side flange or the center post will accommodate most disconnect operators when used with operator adapters, (order separately) see page 451
- Print pocket provided
- Doors have an oil-resistant gasket
- Ground studs provided on doors and body
- Lighting mounting channel provided
- Removable center post allows for easy access and panel installation
- Heavy-gauge angle supports and .375-16 collar studs are provided for optional panel mounting
- Large lifting eyebolts are supplied
- Mounting legs are provided for floor mounting

Discount Schedule: C2

Subclass: DOC

Important Note

When ordering flange or center-mounted disconnect enclosures, be sure to include all the necessary components.

1. A flange or center-mounted enclosure
2. A panel (optional)
3. Operator adapter plates **MUST** be ordered for the specific brand and type of disconnect being used, (see page 451)

Disconnect switch (or circuit breaker), operating handle and operating mechanism are not furnished with enclosure, see disconnect ordering information, pages 312 - 319.

Notes: We can provide special sizes, finishes and other modifications. Consult the factory for your special requirements

Disconnect Enclosures

Ground-Mount Enclosures Type 12 Center & Flange-Mount Floor-Standing with 3-Point Locking Catalog Number

Disconnect Encl.

Center-Mounted

Enclosure Catalog Number	Enclosure Size Height x Width x Depth A x B x C		Panel Catalog Number	Panel Size Height x Width	
	in.	mm		in.	mm
	CD604812-12FD	60.00 x 48.12 x 12.00		1524 x 1222 x 305	AW6048P
CD606012-12FD	60.00 x 60.12 x 12.00	1524 x 1527 x 305	AW6060P	55.87 x 55.87	1419 x 1419
CD726012-12FD	72.00 x 60.12 x 12.00	1829 x 1527 x 305	AW7260P	67.87 x 55.87	1724 x 1419
CD727212-12FD	72.00 x 72.12 x 12.00	1829 x 1832 x 305	AW7272P	67.87 x 67.87	1724 x 1419
CD727218-12FD	72.00 x 72.12 x 18.00	1829 x 1832 x 305	AW7272P	67.87 x 67.87	1724 x 1724

Flange-Mounted

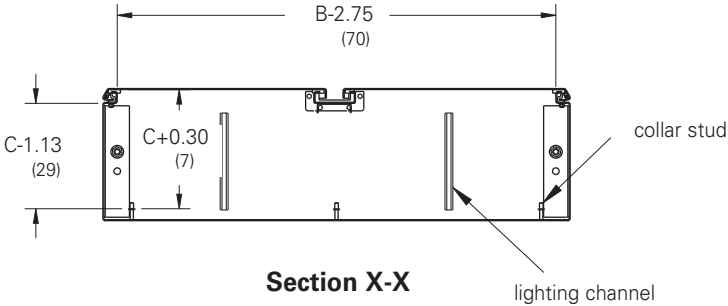
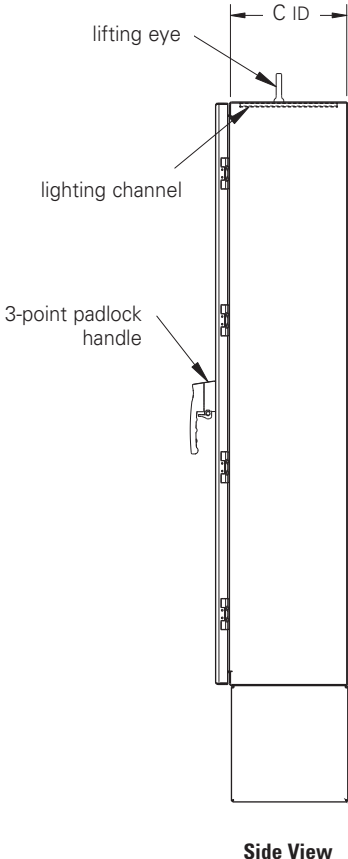
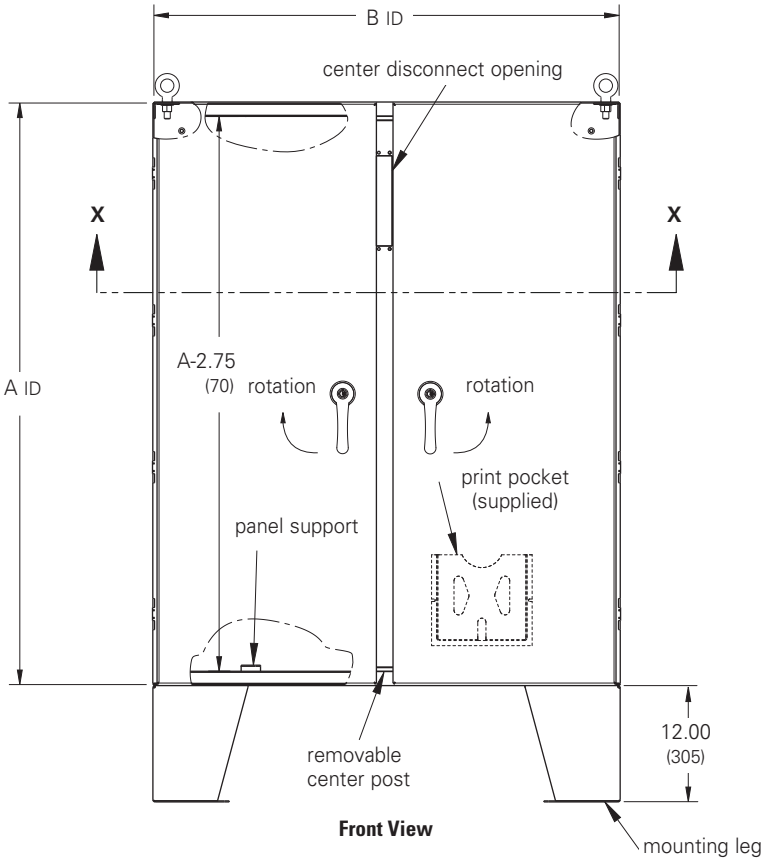
Enclosure Catalog Number	Enclosure Size Height x Width x Depth A x B x C		Panel Catalog Number	Panel Size Height x Width	
	in.	mm		in.	mm
	FD604912-12FD	60.00 x 49.00 x 12.00		1524 x 1245 x 305	AW6048P
FD606112-12FD	60.00 x 61.00 x 12.00	1524 x 1549 x 305	AW6060P	55.87 x 55.87	1419 x 1419
FD726112-12FD	72.00 x 61.00 x 12.00	1829 x 1549 x 305	AW7260P	67.87 x 55.87	1724 x 1419
FD727312-12FD	72.00 x 73.00 x 12.00	1829 x 1854 x 305	AW7272P	67.87 x 67.87	1724 x 1724
FD604918-12FD	60.00 x 49.00 x 18.00	1524 x 1245 x 457	AW6048P	55.87 x 43.87	1419 x 1114
FD606118-12FD	60.00 x 61.00 x 18.00	1524 x 1549 x 457	AW6060P	55.87 x 55.87	1419 x 1419
FD726118-12FD	72.00 x 61.00 x 18.00	1829 x 1549 x 457	AW7260P	67.87 x 55.87	1724 x 1419
FD727318-12FD	72.00 x 73.00 x 18.00	1829 x 1854 x 457	AW7272P	67.87 x 67.87	1724 x 1724
FD727324-12FD	72.00 x 73.00 x 24.00	1829 x 1854 x 610	AW7272P	67.87 x 67.87	1724 x 1724

Notes: Dimensions are in inches. Millimeters shown are for reference only. Data subject to change without notice.

Ground-Mount Enclosures Type 12 Center & Flange-Mount Floor-Standing with 3-Point Locking Illustration Sheet

Disconnect Encl.

ID = Inside Dimension



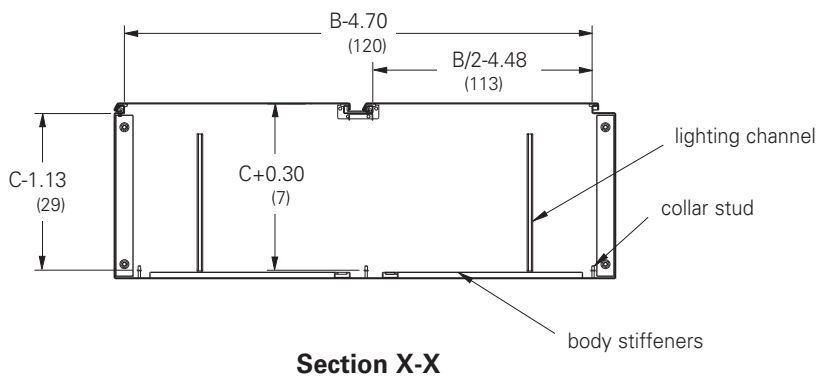
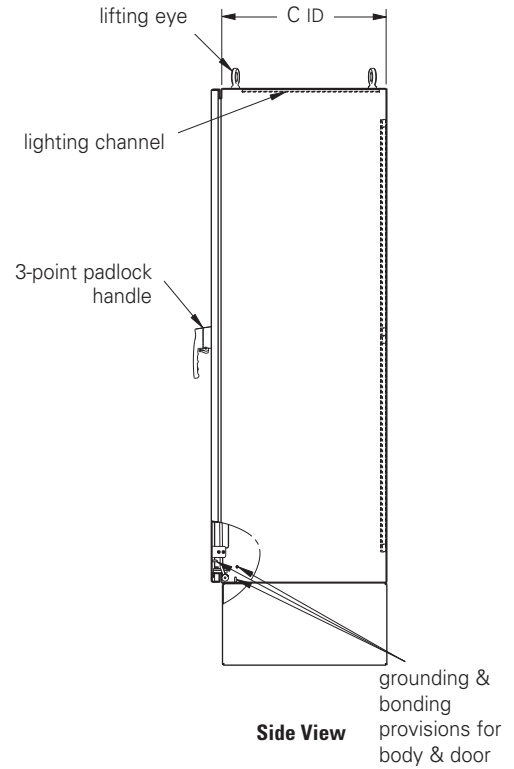
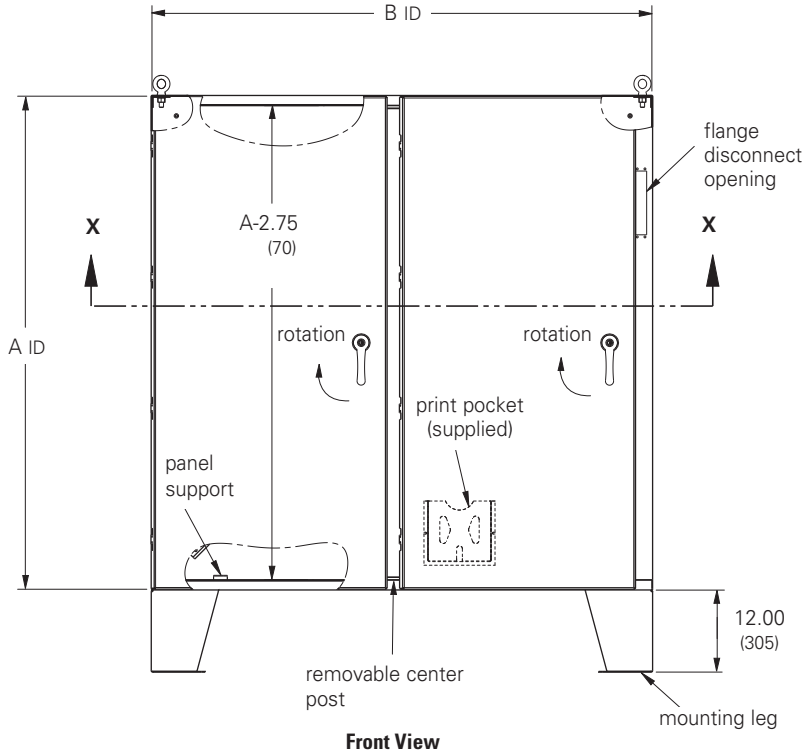
Notes: Dimensions are in inches. Millimeters shown are for reference only. Data subject to change without notice.

Disconnect Enclosures

Ground-Mount Enclosures Type 12 Center & Flange-Mount Floor-Standing with 3-Point Locking Illustration Sheet

Disconnect Encl.

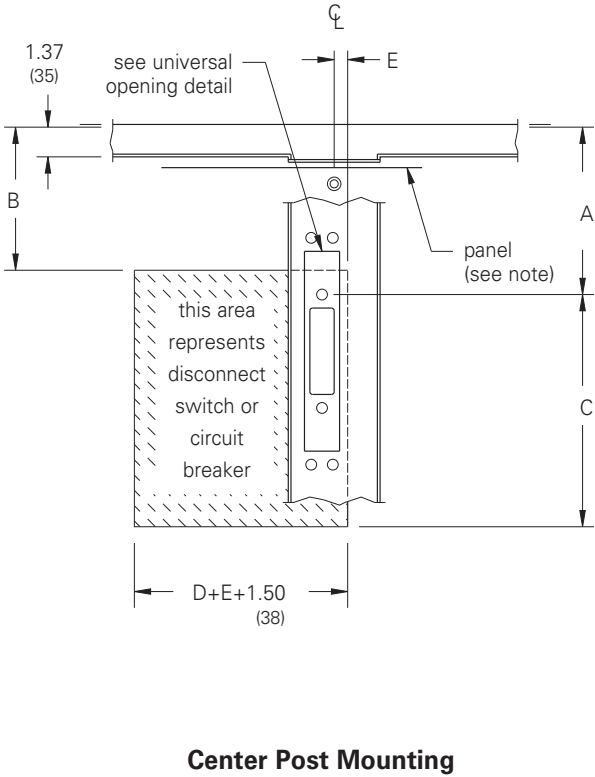
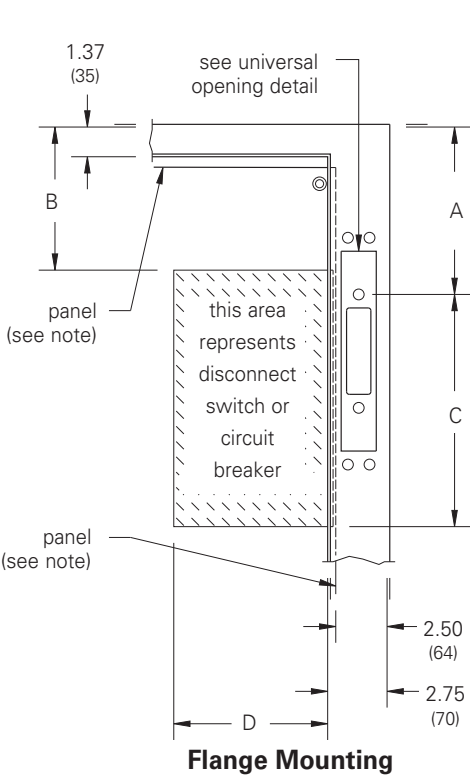
ID = Inside Dimension



Notes: Dimensions are in inches. Millimeters shown are for reference only. Data subject to change without notice.
Two lifting eyes are furnished when C dimension is 24" (610 mm) or less.

Ground-Mount Enclosures
Type 12 Center & Flange-Mount Floor-Standing with 3-Point Locking
Illustration Sheet

Disconnect Encl.



The dimensional information provided in these drawings is derived from information supplied by the manufacturer of the equipment to be installed. Fit and function of all equipment should be checked before and after installation to assure proper and safe operation and compliance with the applicable regulations, codes and standards.

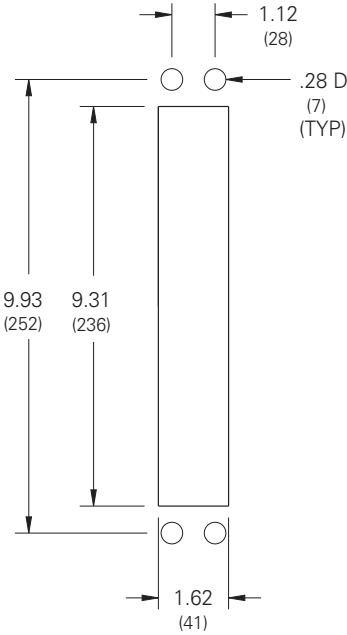
Universal opening must be filled with an operator adapter kit for the specific brand and type of disconnect being used, (see page 451).

Important Note

When ordering flange or center-mounted disconnect enclosures, be sure to include all the necessary components.

1. A flange or center-mounted enclosure
2. A panel (optional)
3. Operator adapter plates **MUST** be ordered for the specific brand and type of disconnect being used, (see page 451)

Disconnect switch (or circuit breaker), operating handle and operating mechanism are not furnished with enclosure, see disconnect ordering information, pages 312 - 319.



Notes: Refer to disconnect tables for associated dimensions. Panels are ordered separately. Refer to catalog table for size and ordering information. Dimensions are in inches. Millimeters shown are for reference only. Data subject to change without notice.

Disconnect Enclosures

Floor-Standing Enclosures

Disconnect Ordering Information

Allen-Bradley® †

Disconnect Encl.

1494V or 1494U Disconnect Mechanism

Allen-Bradley [†] Mechanism for Switches	Amp	Fuse Clip Rating		Fuse Class	Enclosure Height								C		D ⁽¹⁾		E	
		Amp	Volt		60				72				in. mm		in. mm		in. mm	
					A		B		A		B							
					in.	mm	in.	mm	in.	mm	in.	mm	in.	mm				
DS30	30A	(non)	(non)	--	7.87	200	6.00	152	13.37	340	11.50	292	4.00	102	6.75	171	.25	6
DS30	30A	30A	250V	H,K,R	7.87	200	6.00	152	13.37	340	11.50	292	5.25	133	6.75	171	.25	6
DS30	30A	30A	600V	H,K,R	7.87	200	6.00	152	13.37	340	11.50	292	8.00	203	6.75	171	.25	6
DS30	30A	30A	600V	J	7.87	200	6.00	152	13.37	340	11.50	292	5.25	133	6.75	171	.25	6
DS30	30A	60A	250V	H,K	7.87	200	6.00	152	13.37	340	11.50	292	6.00	152	6.75	171	.25	6
DS30	30A	60A	600V	H,K	7.87	200	6.00	152	13.37	340	11.50	292	8.50	216	6.75	171	.25	6
DS30	30A	60A	600V	J	7.87	200	6.00	152	13.37	340	11.50	292	5.50	140	6.75	171	.25	6
DS60	60A	(non)	(non)	--	7.87	200	5.87	149	13.37	340	11.37	289	4.00	102	6.75	171	.25	6
DS60	60A	30A	600V	H,K,R	7.87	200	5.87	149	13.37	340	11.37	289	8.00	203	6.75	171	.25	6
DS60	60A	60A	250V	H,K,R	7.87	200	5.87	149	13.37	340	11.37	289	6.00	152	6.75	171	.25	6
DS60	60A	60A	600V	H,K,R	7.87	200	5.87	149	13.37	340	11.37	289	8.50	216	6.75	171	.25	6
DS60	60A	60A	600V	J	7.87	200	5.87	149	13.37	340	11.37	289	5.50	140	6.75	171	.25	6
DS60	60A	100A	250V	H,K	7.87	200	5.87	149	13.37	340	11.37	289	8.50	216	6.75	171	.25	6
DS60	60A	100A	600V	H,K	7.87	200	5.87	149	13.37	340	11.37	289	10.50	267	6.75	171	.25	6
DS60	60A	100A	600V	J	7.87	200	5.87	149	13.37	340	11.37	289	7.25	184	6.75	171	.25	6
DS100	100A	(non)	(non)	--	7.87	200	4.37	111	13.37	340	9.87	251	4.75	121	8.00	203	.25	6
DS100	100A	100A	250V	H,K,R	7.87	200	4.37	111	13.37	340	9.87	251	10.50	267	8.00	203	.25	6
DS100	100A	100A	600V	H,K,R	7.87	200	4.37	111	13.37	340	9.87	251	12.50	318	8.00	203	.25	6
DS100	100A	100A	600V	J	7.87	200	4.37	111	13.37	340	9.87	251	9.25	235	8.00	203	.25	6
DS100	100A	200A	250V	H,K	7.87	200	4.37	111	13.37	340	9.87	251	11.25	286	8.00	203	.25	6
DS100	100A	200A	600V	H,K	7.87	200	4.37	111	13.37	340	9.87	251	13.75	349	8.00	203	.25	6
DS100	100A	200A	600V	J	7.87	200	4.37	111	13.37	340	9.87	251	10.00	254	8.00	203	.25	6
DS200	200A	(non)	(non)	--	*	*	*	*	11.93	303	7.50	191	10.00	254	11.00	279	.25	6
DS200	200A	200A	250V	H,K,R	*	*	*	*	11.93	303	7.50	191	15.00	381	11.00	279	.25	6
DS200	200A	200A	600V	H,K,R	*	*	*	*	11.93	303	7.50	191	17.25	438	11.00	279	.25	6
DS200	200A	200A	600V	J	*	*	*	*	11.93	303	7.50	191	13.50	343	11.00	279	.25	6
DS200	200A	400A	250V	H,K	*	*	*	*	11.93	303	7.50	191	15.75	400	11.00	279	.25	6
DS200	200A	400A	600V	H,K	*	*	*	*	11.93	303	7.50	191	18.75	476	11.00	279	.25	6
DS200	200A	400A	600V	J	*	*	*	*	11.93	303	7.50	191	14.25	362	11.00	279	.25	6

Allen-Bradley [†] Mechanism for Circuit Breakers	Amp	Circuit Breaker Type		Enclosure Height								C		D ⁽¹⁾		E	
		Manufacturer	Frame(s)	60				72				in. mm		in. mm		in. mm	
				A		B		A		B							
				in.	mm	in.	mm	in.	mm	in.	mm						
M40	150A	General Electric	TED,THED,TEC	7.87	200	7.25	184	13.37	340	12.75	324	5.75	146	4.75	121	.25	6
M40	150A	Westinghouse	F (series C)	7.87	200	7.25	184	13.37	340	12.75	324	5.00	127	4.75	121	.25	6
M50	250A	Westinghouse	J (series C)	7.87	200	6.87	174	13.37	340	12.37	324	9.75	248	5.00	127	.25	6
M60	400A	Westinghouse	K (series C)	*	*	*	*	13.37	340	12.37	324	9.75	248	6.25	159	.25	6

* Do not install disconnects in this height enclosure.

(1) Dimension "D" does not include space for auxiliary switches.

The dimensional information provided in this table is derived from information supplied by the manufacturer of the equipment to be installed. Fit and function of all equipment should be checked before and after installation to assure proper and safe operation and compliance with the applicable regulations, codes and standards.

† Marks are the property of their respective owners.

Notes: Dimensions are in inches. Millimeters shown are for reference only. Data subject to change without notice.

Floor-Standing Enclosures Disconnect Ordering Information Allen-Bradley® †

1494F Disconnect Mechanism

Disconnect Encl.

Allen-Bradley [†] Mechanism Switches	Amp	Fuse Clip Rating		Fuse Class	Enclosure Height				C		D ⁽¹⁾		E					
		Amp	Volt		60		72		in.	mm	in.	mm	in.	mm				
					A	B	A	B										
					in.	mm	in.	mm	in.	mm	in.	mm	in.	mm				
N30	30A	(non)	(non)	--	5.87	149	5.37	136	11.37	289	10.87	276	4.75	121	6.50	165	.75	19
NF30	30A	30A	250V	H,K,R	5.87	149	5.37	136	11.37	289	10.87	276	6.50	165	6.50	165	.75	19
NF30	30A	30A	600V	H,K,R	5.87	149	5.37	136	11.37	289	10.87	276	9.25	235	6.50	165	.75	19
NF30	30A	30A	600V	J	5.87	149	5.37	136	11.37	289	10.87	276	6.50	165	6.50	165	.75	19
NF30	30A	60A	250V	H,K,R	5.87	149	5.37	136	11.37	289	10.87	276	7.25	184	6.50	165	.75	19
NF30	30A	60A	600V	H,K,R	5.87	149	5.37	136	11.37	289	10.87	276	9.75	248	6.50	165	.75	19
NF30	30A	60A	600V	J	5.87	149	5.37	136	11.37	289	10.87	276	6.75	171	6.50	165	.75	19
N60	60A	(non)	(non)	--	5.87	149	4.62	117	11.37	289	10.12	257	4.75	121	6.50	165	.75	19
NF60	60A	30A	600V	H,K,R	5.87	149	4.62	117	11.37	289	10.12	257	10.50	267	6.50	165	.75	19
NF60	60A	60A	250V	H,K,R	5.87	149	4.62	117	11.37	289	10.12	257	8.50	216	6.50	165	.75	19
NF60	60A	60A	600V	H,K,R	5.87	149	4.62	117	11.37	289	10.12	257	11.00	279	6.50	165	.75	19
NF60	60A	60A	600V	J	5.87	149	4.62	117	11.37	289	10.12	257	7.75	197	6.50	165	.75	19
NF60	60A	100A	250V	H,K,R	5.87	149	4.62	117	11.37	289	10.12	257	11.00	279	6.50	165	.75	19
NF60	60A	100A	600V	H,K,R	5.87	149	4.62	117	11.37	289	10.12	257	13.00	330	6.50	165	.75	19
NF60	60A	100A	600V	J	5.87	149	4.62	117	11.37	289	10.12	257	9.75	248	6.50	165	.75	19
N100	100A	(non)	(non)	--	*	*	*	*	11.37	289	8.25	210	4.75	121	7.25	184	.75	19
NF100	100A	100A	250V	H,K,R	*	*	*	*	11.37	289	8.25	210	11.50	292	7.50	191	.75	19
NF100	100A	100A	600V	H,K,R	*	*	*	*	11.37	289	8.25	210	13.50	343	7.50	191	.75	19
NF100	100A	100A	600V	J	*	*	*	*	11.37	289	8.25	210	10.25	260	7.50	191	.75	19
NF100	100A	200A	250V	H,K,R	*	*	*	*	11.37	289	8.25	210	12.25	311	7.75	197	.75	19
NF100	100A	200A	600V	H,K,R	*	*	*	*	11.37	289	8.25	210	14.75	375	7.75	197	.75	19
NF100	100A	200A	600V	J	*	*	*	*	11.37	289	8.25	210	11.00	279	7.75	197	.75	19
N200	200A	(non)	(non)	--	*	*	*	*	10.06	256	6.62	210	7.25	184	10.50	267	.75	19
NF200	200A	200A	250V	H,K,R	*	*	*	*	10.06	256	6.62	168	15.00	381	10.50	267	.75	19
NF200	200A	200A	600V	H,K,R	*	*	*	*	10.06	256	6.62	168	17.50	445	10.50	267	.75	19
NF200	200A	200A	600V	J	*	*	*	*	10.06	256	6.62	168	13.75	349	10.50	267	.75	19
NF200	200A	400A	250V	H,K,R	*	*	*	*	10.06	256	6.62	168	16.50	419	11.00	279	.75	19
NF200	200A	400A	600V	H,K,R	*	*	*	*	10.06	256	6.62	168	19.50	495	11.00	279	.75	19
NF200	200A	400A	600V	J	*	*	*	*	10.06	256	6.62	168	15.00	381	11.00	279	.75	19

1494D Disconnect Mechanism

Allen-Bradley [†] Mechanism for Circuit Breakers	Amp	Circuit Breaker Type		Enclosure Height				C		D ⁽¹⁾		E					
		Manufacturer	Frame(s)	60		72		in.	mm	in.	mm	in.	mm				
				A	B	A	B										
				in.	mm	in.	mm	in.	mm	in.	mm	in.	mm				
N4/N40	150A	General Electric	TED,THED,TEC	5.87	149	5.25	133	11.37	289	10.75	273	5.87	149	4.62	117	.75	19
N5/N55	225A	General Electric	TFK,THFK,TFC	5.87	149	4.50	114	11.37	289	10.00	254	8.87	225	4.75	121	.75	19
N4/N40	150A	Westinghouse	F (series C)	5.87	149	5.25	133	11.37	289	10.75	273	5.87	149	4.62	117	.75	19
N5/N50	250A	Westinghouse	J (series C)	5.87	149	4.50	114	11.37	289	10.00	254	8.87	225	4.75	121	.75	19
N5/N60	400A	Westinghouse	K (series C)	*	*	*	*	11.37	289	10.00	254	8.87	225	5.87	149	.75	19

* Do not install disconnects in this height enclosure.
(1) Dimension "D" does not include space for auxiliary switches.

The dimensional information provided in this table is derived from information supplied by the manufacturer of the equipment to be installed. Fit and function of all equipment should be checked before and after installation to assure proper and safe operation and compliance with the applicable regulations, codes and standards.

† Marks are the property of their respective owners.

Notes: Dimensions are in inches. Millimeters shown are for reference only. Data subject to change without notice.

Disconnect Enclosures

Floor-Standing Enclosures Disconnect Ordering Information Cutler-Hammer †

Disconnect Encl.

C361 Disconnect Mechanism

Cutler-Hammer [†] Mechanism Switches	Amp	Fuse Clip Rating		Fuse Class	Enclosure Height						C		D		E			
		Amp	Volt		60		72		C		D		E					
					A	B	A	B	in.	mm	in.	mm	in.	mm				
NC	30A	(non)	(non)	--	7.87	200	6.50	165	13.37	340	12.00	305	4.75	121	6.25	1588	.25	6
SC21	30A	30A	250V	H,K,R	7.87	200	6.50	165	13.37	340	12.00	305	7.75	197	6.25	1588	.25	6
SC61	30A	30A	600V	H,K,R	7.87	200	6.50	165	13.37	340	12.00	305	7.75	197	6.25	1588	.25	6
SC61	30A	30A	600V	J	7.87	200	6.50	165	13.37	340	12.00	305	7.75	197	6.25	1588	.25	6
SC61	30A	60A	250V	H,K,R	7.87	200	6.50	165	13.37	340	12.00	305	8.25	210	6.25	1588	.25	6
ND	60A	(non)	(non)	--	7.87	200	6.50	165	13.37	340	12.00	305	4.75	121	6.25	1588	.25	6
SD22	60A	30A	600V	J	7.87	200	6.50	165	13.37	340	12.00	305	7.75	197	6.25	1588	.25	6
SD22	60A	60A	250V	H,K,R	7.87	200	6.50	165	13.37	340	12.00	305	8.25	210	6.25	1588	.25	6
SD62	60A	60A	600V	H,K,R	7.87	200	6.50	165	13.37	340	12.00	305	8.25	210	6.25	1588	.25	6
SD62	60A	60A	600V	J	7.87	200	6.50	165	13.37	340	12.00	305	8.00	203	6.25	1588	.25	6
NE	100A	(non)	(non)	--	7.87	200	6.12	155	13.37	340	11.62	295	4.25	108	7.50	191	.25	6
SE263	100A	100A	250V	H,K,R	7.87	200	6.12	155	13.37	340	11.62	295	9.00	229	7.50	191	.25	6
SE263	100A	100A	600V	H,K,R	7.87	200	6.12	155	13.37	340	11.62	295	9.00	229	7.50	191	.25	6
SE263	100A	100A	600V	J	7.87	200	6.12	155	13.37	340	11.62	295	7.75	197	7.50	191	.25	6
NF ⁽¹⁾	200A	(non)	(non)	--	7.87	200	4.12	155	13.37	340	9.62	295	13.25	337	10.25	260	.25	6
SF264 ⁽¹⁾	200A	200A	250V	H,K,R	7.87	200	4.12	155	13.37	340	9.62	295	13.25	337	10.25	260	.25	6
SF264 ⁽¹⁾	200A	200A	600V	H,K,R	7.87	200	4.12	155	13.37	340	9.62	295	13.25	337	10.25	260	.25	6
SF264 ⁽¹⁾	200A	200A	600V	J	7.87	200	4.12	155	13.37	340	9.62	295	13.25	337	10.25	260	.25	6

C371 Disconnect Mechanism

Cutler-Hammer [†] Mechanism for Circuit Breakers	Amp	Circuit Breaker Type		Enclosure Height						C		D		E			
		Manufacturer	Frame(s)	60		72		C		D		E					
				A	B	A	B	in.	mm	in.	mm	in.	mm				
C371E	150A	Cutler-Hammer	HMCP,FS,FH	7.87	200	7.62	194	13.37	340	13.12	333	6.00	152	5.75	146	.25	6
C371F ⁽¹⁾	225A	Cutler-Hammer	HMCP,JS,JH,JL	7.87	200	7.50	191	13.37	340	13.00	330	11.00	279	8.25	210	.25	6
C371F ⁽¹⁾	400A	Cutler-Hammer	HMCP,KS,KH	7.87	200	7.00	178	13.37	340	12.50	318	9.75	248	8.25	210	.25	6
C371G ⁽¹⁾	600A	Cutler-Hammer	LS,LH	*	*	*	*	13.37	340	10.87	276	8.50	216	12.00	305	.25	6
C371E	150A	Westinghouse	F (series C)	7.87	200	7.62	194	13.37	340	13.12	333	6.00	152	5.75	146	.25	6
C371F ⁽¹⁾	250A	Westinghouse	J (series C)	7.87	200	7.50	191	13.37	340	13.00	330	9.00	229	8.25	210	.25	6
C371F ⁽¹⁾	400A	Westinghouse	K (series C)	7.87	200	7.00	178	13.37	340	12.50	318	9.75	248	8.25	210	.25	6
C371G ⁽¹⁾	600A	Westinghouse	LA,LC	*	*	*	*	13.37	340	10.87	276	8.50	216	12.00	305	.25	6

* Do not install disconnects in this height enclosure.

(1) Wire bending space "B" does not allow the maximum size cable in 60H enclosures.

(2) Wire bending space "B" does not allow the maximum size cable in 72H enclosures.

The dimensional information provided in this table is derived from information supplied by the manufacturer of the equipment to be installed. Fit and function of all equipment should be checked before and after installation to assure proper and safe operation and compliance with the applicable regulations, codes and standards.

† Marks are the property of their respective owners.

Notes: Dimensions are in inches. Millimeters shown are for reference only. Data subject to change without notice.

Floor-Standing Enclosures Disconnect Ordering Information General Electric® †

TDA Disconnect Mechanism

General Electric [†] Mechanism for Switches	Amp	Fuse Clip Rating		Fuse Class	Enclosure Height								C		D		E	
		Amp	Volt		60				72									
					A	B	A	B	A	B	in.	mm	in.	mm	in.	mm		
TDOM1A	30A	(non)	(non)	--	7.87	200	8.37	213	13.37	340	13.87	340	7.00	178	5.50	140	.25	6
TDOM1A	30A	30A	250V	H,R	7.87	200	8.37	213	13.37	340	13.87	340	7.00	178	5.50	140	.25	6
TDOM1B	30A	30A	600V	H,R	7.87	200	8.37	213	13.37	340	13.87	340	11.50	292	5.50	140	.25	6
TDOM1B	30A	60A	250V	H,R	7.87	200	8.37	213	13.37	340	13.87	340	11.50	292	5.50	140	.25	6
TDOM1B	30A	60A	600V	H,R	7.87	200	8.37	213	13.37	340	13.87	340	11.50	292	5.50	140	.25	6
TDOM1A	60A	(non)	(non)	--	7.87	200	8.37	213	13.37	340	13.87	340	7.00	178	5.50	140	.25	6
TDOM1B	60A	60A	250V	H,R	7.87	200	8.37	213	13.37	340	13.87	340	11.50	292	5.50	140	.25	6
TDOM1B	60A	60A	600V	H,R	7.87	200	8.37	213	13.37	340	13.87	340	11.50	292	5.50	140	.25	6
TDOM1B	60A	100A	250V	H,R	7.87	200	8.37	213	13.37	340	13.87	340	11.50	292	5.50	140	.25	6
TDOM1B	60A	100A	600V	H,R	7.87	200	8.37	213	13.37	340	13.87	340	11.50	292	5.50	140	.25	6
TDOM1A	100A	(non)	(non)	--	7.87	200	8.37	213	13.37	340	13.87	340	7.00	178	5.50	140	.25	6
TDOM1B	100A	100A	250V	H,R	7.87	200	8.37	213	13.37	340	13.87	340	11.50	292	5.50	140	.25	6
TDOM1B	100A	100A	600V	H,R	7.87	200	8.37	213	13.37	340	13.87	340	11.50	292	5.50	140	.25	6
TDOM1B	100A	200A	250V	H,R	7.87	200	8.37	213	13.37	340	13.87	340	11.50	292	5.50	140	.25	6
TDOM1B	100A	200A	600V	H,R	7.87	200	8.37	213	13.37	340	13.87	340	11.50	292	5.50	140	.25	6
TDOM2	200A	(non)	(non)	--	7.87	200	5.75	146	13.37	340	11.25	286	7.00	178	9.25	235	.25	6
TDOM2	200A	200A	250V	H,R	7.87	200	5.75	146	13.37	340	11.25	286	15.50	394	9.25	235	.25	6
TDOM2	200A	200A	600V	H,R	7.87	200	5.75	146	13.37	340	11.25	286	15.50	394	9.25	235	.25	6

General Electric [†] Mechanism for Circuit Breakers	Amp	Circuit Breaker Type	Enclosure Height								C		D		E	
			60				72									
			A	B	A	B	A	B	in.	mm	in.	mm	in.	mm	in.	mm
TDOM1A	150A	TEB,TEC,TED,THED	7.87	200	7.25	184	13.37	340	12.75	324	7.00	178	5.50	140	.25	6
TDOM1B	150A	TB1,TEC,TECL	7.87	200	7.25	184	13.37	340	12.75	324	11.50	292	5.50	140	.25	6
TDOM1C	150A	TEL	7.87	200	7.25	184	13.37	340	12.75	324	7.00	178	5.50	140	.25	6
TDOM1D	150A	THCL1	7.87	200	5.87	149	13.37	340	11.37	289	7.00	178	5.50	140	.25	6
TDOM3	225A	TFJ,TFK,THFK,TFL	7.87	200	6.87	174	13.37	340	12.37	314	10.50	267	6.00	152	.25	6
TDOM4	400A	TJJ,TJK4,THJK4,TJL4V	*	*	*	*	13.37	340	11.50	292	8.25	210	9.50	241	.25	6
TDOM4	600A	TJK6,THJK6,TJ4V,TJL4V	*	*	*	*	13.37	340	11.50	292	8.25	210	9.50	241	.25	6
TDOM5	400A	TB4,TJH6S	*	*	*	*	13.37	340	11.50	292	14.25	362	9.50	241	.25	6
TDOM6	225A	TLB2,THLC2	*	*	*	*	13.37	340	10.87	276	11.75	298	9.50	241	.25	6
TDOM6	400A	TLB4,THLC4	*	*	*	*	13.37	340	9.50	241	11.75	298	9.50	241	.25	6

* Do not install disconnects in this height enclosure.

The dimensional information provided in this table is derived from information supplied by the manufacturer of the equipment to be installed. Fit and function of all equipment should be checked before and after installation to assure proper and safe operation and compliance with the applicable regulations, codes and standards.

† Marks are the property of their respective owners.

Notes: Dimensions are in inches. Millimeters shown are for reference only. Data subject to change without notice.

Disconnect Enclosures

Floor-Standing Enclosures

Disconnect Ordering Information

I-T-E Siemens® †

MAX-FLEX† Disconnects

Disconnect Encl.

Enclosure	Cable	I-T-E† Mechanism Circuit Breakers	Circuit Breaker Frame	Amp	Device		Enclosure Height				C ⁽¹⁾			D ⁽²⁾						
					Height		A													
							in.	mm	60	72	nom	min	max	min	max					
							in.	mm	in.	mm	in.	mm	in.	mm	in.	mm				
12	36	FHOE036	ED	125A	6.37	162	7.87	200	13.37	340	5.37	136	-5.37	-136	15.43	392	3.00	76	14.00	356
	36	FHOE036	CED	125A	9.62	244	7.87	200	13.37	340	8.50	216	-2.00	-51	18.75	476	3.00	76	14.00	356
	36	FHOF036	FD	250A	9.50	241	7.87	200	13.37	340	5.62	143	-5.00	-127	15.75	400	4.50	114	12.50	318
	36	FHOF036	CFD	250A	14.12	349	7.87	200	13.37	340	10.25	260	-.25	-6	20.50	521	4.50	114	12.50	318
	36	FHOJ036	JD,LD	400A, 600A	11.00	279	7.87	200	13.37	340	5.25	133	-5.43	-138	15.37	390	7.50	191	14.00	356
	36	FHOJ036	CJD	400A, 600A	17.87	454	7.87	200	13.37	340	12.12	308	1.50	38	22.25	565	7.50	191	14.00	356
18	36	FHOE036	ED	125A	6.37	162	7.87	200	13.37	340	5.37	136	-2.75	-70	13.50	343	3.00	76	9.75	248
	36	FHOE036	CED	125A	9.62	244	7.87	200	13.37	340	8.50	216	.62	16	16.87	428	3.00	76	9.75	248
	36	FHOF036	FD	250A	9.50	241	7.87	200	13.37	340	5.62	143	2.43	62	13.87	352	4.50	114	8.50	216
	36	FHOF036	CFD	250A	14.12	359	7.87	200	13.37	340	10.25	260	7.25	39	18.62	473	4.50	114	8.50	216
	36	FHOJ036	JD,LD	400A, 600A	11.00	279	7.87	200	13.37	340	5.25	133	-2.87	-73	13.43	341	7.50	191	10.12	257
	36	FHOJ036	CJD	400A, 600A	17.87	454	7.87	200	13.37	340	12.12	308	4.12	105	20.37	517	7.50	191	10.12	257
12	48	*	ED	125A	6.37	162	7.87	200	13.37	340	5.37	136	-16.37	-416	27.50	699	3.00	76	26.37	670
	48	*	CED	125A	9.62	244	7.87	200	13.37	340	8.50	216	-13.00	-330	30.87	784	3.00	76	26.37	670
	48	*	FD	250A	9.50	241	7.87	200	13.37	340	5.62	143	-16.00	-406	27.87	708	4.50	114	24.87	632
	48	*	CFD	250A	14.12	359	7.87	200	13.37	340	10.25	260	-11.25	-286	32.62	829	4.50	114	24.87	632
	48	*	JD,LD	400A, 600A	11.00	279	7.87	200	13.37	340	5.25	133	-16.43	-417	27.43	697	7.50	191	26.37	670
	48	*	CJD	400A, 600A	17.87	454	7.87	200	13.37	340	12.12	308	-9.50	-241	34.37	873	7.50	191	26.37	670
	48	FHON048	MD,ND	800A, 1200A	16.00	406	7.87	200	13.37	340	8.12	206	-6.62	-168	21.93	557	9.00	229	20.50	521
18	48	*	ED	125A	6.37	162	7.87	200	13.37	340	5.37	136	-15.37	-390	26.25	667	3.00	76	24.43	621
	48	*	CED	125A	9.62	244	7.87	200	13.37	340	8.50	216	-12.00	-305	29.50	749	3.00	76	24.43	621
	48	*	FD	250A	9.50	241	7.87	200	13.37	340	5.62	143	-15.00	-381	26.50	673	4.50	114	23.00	584
	48	*	CFD	250A	14.12	359	7.87	200	13.37	340	10.25	260	-10.25	-260	30.37	771	4.50	114	23.00	584
	48	*	JD,LD	400A, 600A	11.00	279	7.87	200	13.37	340	5.25	133	-15.43	-392	26.12	663	7.50	191	24.50	622
	48	*	CJD	400A, 600A	17.87	454	7.87	200	13.37	340	12.12	308	-8.50	-216	33.00	838	7.50	191	24.50	622
	48	FHON048	MD,ND	800A 1200A	16.00	406	7.87	200	13.37	340	8.12	206	-5.12	-130	21.43	544	9.00	229	20.50	521
	48	*	ED	125A	6.37	162	7.87	200	13.37	340	5.37	136	-13.37	-340	23.25	591	3.00	76	20.62	524
24	48	*	CED	125A	9.62	244	7.87	200	13.37	340	8.50	216	-10.00	-254	26.50	673	3.00	76	20.62	524
	48	*	FD	250A	9.50	241	7.87	200	13.37	340	5.62	143	-13.00	-330	23.50	597	4.50	114	19.37	492
	48	*	CFD	250A	14.12	359	7.87	200	13.37	340	10.25	260	-8.25	-210	28.37	721	4.50	114	19.37	492
	48	*	JD,LD	400A, 600A	11.00	279	7.87	200	13.37	340	5.25	133	-13.43	-341	23.12	587	7.50	191	20.93	532
	48	*	CJD	400A, 600A	17.87	454	7.87	200	13.37	340	12.12	308	-6.50	-165	30.00	762	7.50	191	20.93	532
	48	FHON048	MD,ND	800A, 1200A	16.00	406	7.87	200	13.37	340	8.12	206	-3.12	-79	19.93	506	9.00	229	20.50	521

I-T-E SIEMENS®† MAX-FLEX† Disconnect Mechanism

Disconnect Mechanism	Cable Length	Circuit Breaker Types
FHOE036	36	ED2, ED4, ED6, HED4, HED6, ED6ETI
FHOE036	36	CED6, CED6ETI
FHOF036	36	FD6, FXD6, HFD6, FXD6ETI
FHOF036	36	CFD6, CFD6ETI
FHOJ036	36	JD2, JD6, JXD6, HJD6, JXD6ETI, LD6,LXD6, HLD6, LXD6ETI, SHJD6, SLD6,SHLD6
FHOJ036	36	CJD6, CJD6ETI, CLD6, CLD6ETI,SCJD6,SCLD6
FHON048	48	MD6, HMD6, CMD6, MXD6ETI, CMD6ETI, SMD6, SHMD6, SCMD6, ND6, HND6, CND6, SND6, SCND6

* Non-standard mechanism with 48 inch operating cable must be specified.

(1) Flexible operating cable allows disconnect to be mounted within min and max of "C" dimension when "D" is minimum.

(2) Flexible operating cable allows disconnect to be mounted within min and max of "D" dimension when "C" is nominal.

The dimensional information provided in this table is derived from information supplied by the manufacturer of the equipment to be installed. Fit and function of all equipment should be checked before and after installation to assure proper and safe operation and compliance with the applicable regulations, codes and standards.

† Marks are the property of their respective owners.

Notes: Refer to detail sheet for drawing information and associated dimensions.

Flexible cable allows for variable disconnect mounting and adequate wire bending space must be maintained.

Dimensions are in inches. Millimeters shown are for reference only. Data subject to change without notice.

Floor-Standing Enclosures Disconnect Ordering Information Square D® †

9422 Disconnect Mechanism

Square D [†] Mechanism for Switches	Amp	Fuse Clip Rating		Fuse Class	Enclosure Height								C		D		E	
		Amp	Volt		60				72									
					A		B		A		B							
		in.	mm		in.	mm	in.	mm	in.	mm	in.	mm	in.	mm	in.	mm	in.	mm
RC-1	30A	(non)	(non)	--	7.87	200	7.75	197	13.37	340	13.18	335	3.25	83	7.25	184	.25	6
RC-2	30A	30A	250V	H,K,R	7.87	200	7.75	197	13.37	340	13.18	335	5.00	127	7.25	184	.25	6
RC-3	30A	30A	600V	H,K,R	7.87	200	7.75	197	13.37	340	13.18	335	8.00	203	7.25	184	.25	6
RC-3	30A	30A	600V	J	7.87	200	7.75	197	13.37	340	13.18	335	5.00	127	7.25	184	.25	6
RC-3	30A	60A	250V	H,K,R	7.87	200	7.75	197	13.37	340	13.18	335	6.00	152	7.25	184	.25	6
TC-1	30A	(non)	(non)	--	7.87	200	5.87	149	13.37	340	11.37	289	5.75	146	6.25	159	.25	6
TC-2	30A	30A	250V	H,K,R	7.87	200	5.87	149	13.37	340	11.37	289	5.75	146	6.25	159	.25	6
TC-3	30A	30A	600V	H,K,R	7.87	200	5.87	149	13.37	340	11.37	289	7.75	197	6.25	159	.25	6
TC-3	30A	30A	600V	J	7.87	200	5.87	149	13.37	340	11.37	289	5.75	146	6.25	159	.25	6
TC-3	30A	60A	250V	H,K,R	7.87	200	5.87	149	13.37	340	11.37	289	6.00	152	6.25	159	.25	6
TD-1	60A	(non)	(non)	--	7.87	200	6.75	171	13.37	340	12.25	311	6.50	165	6.75	171	.25	6
TD-2	60A	30A	600V	H,K,R	7.87	200	6.75	171	13.37	340	12.25	311	8.50	216	6.75	171	.25	6
TD-2	60A	60A	250V	H,K,R	7.87	200	6.75	171	13.37	340	12.25	311	6.50	165	6.75	171	.25	6
TD-3	60A	60A	600V	H,K,R	7.87	200	6.75	171	13.37	340	12.25	311	9.00	229	6.75	171	.25	6
TD-3	60A	60A	600V	J	7.87	200	6.75	171	13.37	340	12.25	311	6.50	165	6.75	171	.25	6
TE-1	100A	(non)	(non)	--	7.87	200	6.50	165	13.37	340	12.00	305	4.75	121	8.50	216	.25	6
TE-2	100A	100A	250V	H,K,R	7.87	200	6.50	165	13.37	340	12.00	305	7.50	191	8.50	216	.25	6
TE-2	100A	100A	600V	H,K,R	7.87	200	6.50	165	13.37	340	12.00	305	9.50	241	8.50	216	.25	6
TE-2	100A	100A	600V	J	7.87	200	6.50	165	13.37	340	12.00	305	6.25	159	8.50	216	.25	6
TE-3	100A	200A	600V	J	7.87	200	6.50	165	13.37	340	12.00	305	13.75	349	8.50	216	.25	6
TF-1	200A	(non)	(non)	--	7.87	200	5.12	130	13.37	340	10.62	270	5.50	140	11.75	298	.25	6
TF-2	200A	200A	250V	H,K,R	7.87	200	5.12	130	13.37	340	10.62	270	11.50	292	11.75	298	.25	6
TF-2	200A	200A	600V	H,K,R	7.87	200	5.12	130	13.37	340	10.62	270	14.00	356	11.75	298	.25	6
TF-2	200A	200A	600V	J	7.87	200	5.12	130	13.37	340	10.62	270	10.25	260	11.75	298	.25	6
TF-3	200A	400A	600V	J	7.87	200	5.15	131	13.37	340	10.62	270	14.50	368	11.75	298	.25	6

Square D [†] Mechanism for Circuit Breakers	Amp	Circuit Breaker Type	Enclosure Height								C		D		E	
			60				72									
			A		B		A		B							
			in.	mm	in.	mm	in.	mm	in.	mm	in.	mm	in.	mm	in.	mm
RN-1	100A	FAL,FHL,FCL	7.87	200	6.87	174	13.37	340	12.37	314	5.25	133	5.50	140	.25	6
RP-1	250A	KAL,KHL,KCL	7.87	200	6.62	168	13.37	340	13.12	333	7.25	184	5.75	146	.25	6
RR-1	400A	LAL,LHL,Q4L	*	*	*	*	13.37	340	8.75	222	7.75	197	9.00	229	.25	6
RR-2	400A	ILL	*	*	*	*	13.37	340	13.12	333	11.00	279	15.75	400	.25	6

* Do not install disconnects in this height enclosure.

The dimensional information provided in this table is derived from information supplied by the manufacturer of the equipment to be installed. Fit and function of all equipment should be checked before and after installation to assure proper and safe operation and compliance with the applicable regulations, codes and standards.

† Marks are the property of their respective owners.

Notes: Dimensions are in inches. Millimeters shown are for reference only. Data subject to change without notice.

Disconnect Enclosures

Floor-Standing Enclosures Disconnect Ordering Information

ALLEN-BRADLEY †

Standard enclosure designed to accept variable depth type 1494V / 1494U.

Allen-Bradley† 1494V / 1494U disconnect switch:

1. Disconnect switch.
2. Operating mechanism.
3. Operating handle.
4. Fuse block kit, (if required).
5. Fuse clip kit, (if required).
6. Line and load connectors, (if necessary).
7. Connecting rod.

Allen-Bradley† 1494V / 1494U circuit breaker:

1. Circuit breaker, (General Electric, Westinghouse).
2. Operating mechanism.
3. Operating handle.
4. Line and load connectors, (if necessary).
5. Connecting rod.

NOTE: Allen-Bradley support kit is recommended when 1494V devices are installed in 72 inch high center mounted enclosures.

Standard enclosures designed to accept fixed depth type 1494F or 1494D.

Allen-Bradley† 1494F disconnect switch:

1. Disconnect switch.
2. Operating mechanism.
3. Operating handle.
4. Fuse block kit, (if required).
5. Fuse clip kit, (if required).
6. Line and load connectors, (if necessary).

Allen-Bradley† 1494D circuit breaker:

1. Circuit breaker.
2. Operating mechanism.
3. Operating handle.
4. Line and load connectors, (if necessary).
5. Slide mechanism.

CUTLER-HAMMER †

Standard enclosures designed to accept variable depth type C361 or C371.

Cutler-Hammer† C361 disconnect switch:

1. Disconnect switch.
2. Operating mechanism.
3. Operating handle.
4. Fuse clip kit, (if required).
5. Line and load connectors, (if necessary).

NOTE: Items 1, 2 and 3 can be ordered as an assembly.

Cutler-Hammer† C371 circuit breaker:

1. Circuit breaker.
2. Operating mechanism.
3. Operating handle.
4. Line and load connectors, (if necessary).

NOTE: Items 2 and 3 can be ordered as an assembly.

GENERAL ELECTRIC †

Standard enclosures designed to accept variable depth type TDA.

General Electric† TDA disconnect switch:

1. Disconnect Switch, (QMR, QMW).
2. Operating mechanism.
3. Operating handle.
4. Fuse clip kit or no-fuse kit, (if required).
5. Line and load connectors, (if necessary).
6. Extended length drive rod, (if required).

NOTE: These items can be ordered as an assembly.

General Electric† TDA circuit breaker:

1. Circuit breaker.
2. Operating mechanism.
3. Operating handle.
4. Line and load connectors, (if necessary).
5. Extended length drive rod, (if required).

NOTE: When TDOM1 and TDOM3 operating mechanism is used on 72 inch high center mounted enclosures a flange stiffener kit TDSR is recommended.

I-T-E SIEMENS †

Standard enclosures designed to accept MAX-FLEX† type FHO.

I-T-E† MAX-FLEX† circuit breaker:

1. Circuit breaker.
2. Operating mechanism.
3. Operating handle.
4. Line and load connectors, (if necessary).
5. Operating cable.

NOTE: Items 2, 3 and 5 can be ordered as an assembly, standard with a 36 inch long operating cable. All 24 inch enclosures require a 48 inch long cable.

† Marks are the property of their respective owners.

Floor-Standing Enclosures

Disconnect Ordering Information

SQUARE D †

Standard enclosures designed to accept variable depth type 9422.

Square D† 9422 disconnect switch:

1. Disconnect switch.
2. Operating mechanism.
3. Operating handle.
4. Fuse Clip kit, (if required).
5. Line and load connectors, (if necessary).
6. Connecting rod.

NOTE: Square D support kit 9422-C1 is recommended when some devices are installed in 72 inch high center mounted enclosures.

Square D† 9422 circuit breaker:

1. Circuit breaker.
2. Operating mechanism.
3. Operating handle.
4. Line and load connectors, (if necessary).
5. Connecting rod.

NOTE: Square D support kit 9422-C1 is recommended when some devices are installed in 72 inch high enclosures.

Important Note

When ordering flange or center mounted disconnect equipment, be sure to include all necessary components listed below.

1. Enclosure includes the following equipment:
Enclosure door locking handle and rods
Door interlocking system
Interlocking connecting rod
Adjustable bracket, (see note 3)
2. Operator adapter plate, gasket and hardware for the type of disconnect device being used **MUST** be ordered separately (see page 451)
3. 24 inch deep enclosures include an adjustable bracket for mounting some disconnects:
Cutler-Hammer† C361 device
Cutler-Hammer† C371 E and F devices unless long connecting rod C371CS1 is specified
Cutler-Hammer† C371 G device unless long connecting rod C371CS2 is specified
General Electric† TDA device extended length rod TDSR is specified
Square D† 9422 device unless extra long connecting rod 9422-R2 is specified
Note: Some devices require two rods, consult the device manufacturer (Westinghouse AMT below handle device).
4. Panels are ordered separately.
5. Disconnects and related components are available from the manufacturer.
6. The disconnect ordering information provided is derived from information supplied by the manufacturer of the equipment to be installed. Fit and function of all equipment should be checked before and after installation to assure proper and safe operation and compliance with the applicable regulations, codes and standards.

† Marks are the property of their respective owners.

Disconnect Enclosures

Ground-Mount Enclosures Type 12 Heavy-Duty Single & Multi-Door Flange-Mount Free-Standing with 3-Point Locking Data Sheet

Disconnect Encl.



FD723318-12FS



FD8411718-12FS



FD725318-12FS

Application

- Houses electrical controls and equipment
- Protects against circulating dust, falling dirt and dripping non-corrosive liquids

Standards

- UL 508A listed, Type 12
- CSA C22.2 No.94 certified, Type 12
- Conforms to NEMA standard for Type 12

Finish

- Wash and phosphate undercoat
- ANSI 61 gray polyester powder finish
- Panels have white enamel finish

Accessories

- Channel mounting hardware
- Blank adapter plates
- Operator adapters
- Touch-up paint
- Replacement handles: defeater handle BD-PDHB and keyed handle BD-PKHB (see pages 428 & 429).
- See Accessories Section

Discount Schedule: C2

Subclass: see pages 321 - 325

Construction

- Enclosure body (10 or 12) gauge (see appropriate charts) and door (12) gauge are fabricated from steel
- All continuous welded seams are finished smooth
- Doors are secured to the body with removable concealed hinges and a center locating 3-point key-locking and padlock handle mechanism
- Modern bevel profile on hinge side of enclosure door(s)
- Right-side door serves as the master door with a defeater mechanism which requires a screwdriver to open
- Slave doors cannot open without activating mechanical interlock but can close in any order
- Universal opening on right-side flange will accommodate most disconnect operators when used with operator adapter, (order separately - see page 451)
- Doors have an oil-resistant gasket
- Ground stud provided on door(s) and body
- Print pocket provided
- Lighting mounting channel provided
- Fixed center posts are supported from the front to back for enclosure rigidity
- Removable center post allows for easy access and panel installation
- Removable panels mounted on .375-16 collar studs and panel supports
- Large lifting eyebolts are supplied

Important Note

When ordering flange-mounted disconnect enclosures, be sure to include all the necessary components.

1. A flange-mounted disconnect enclosure
2. Operator adapter plates **MUST** be ordered for the specific brand and type of disconnect being used, (see page 451)

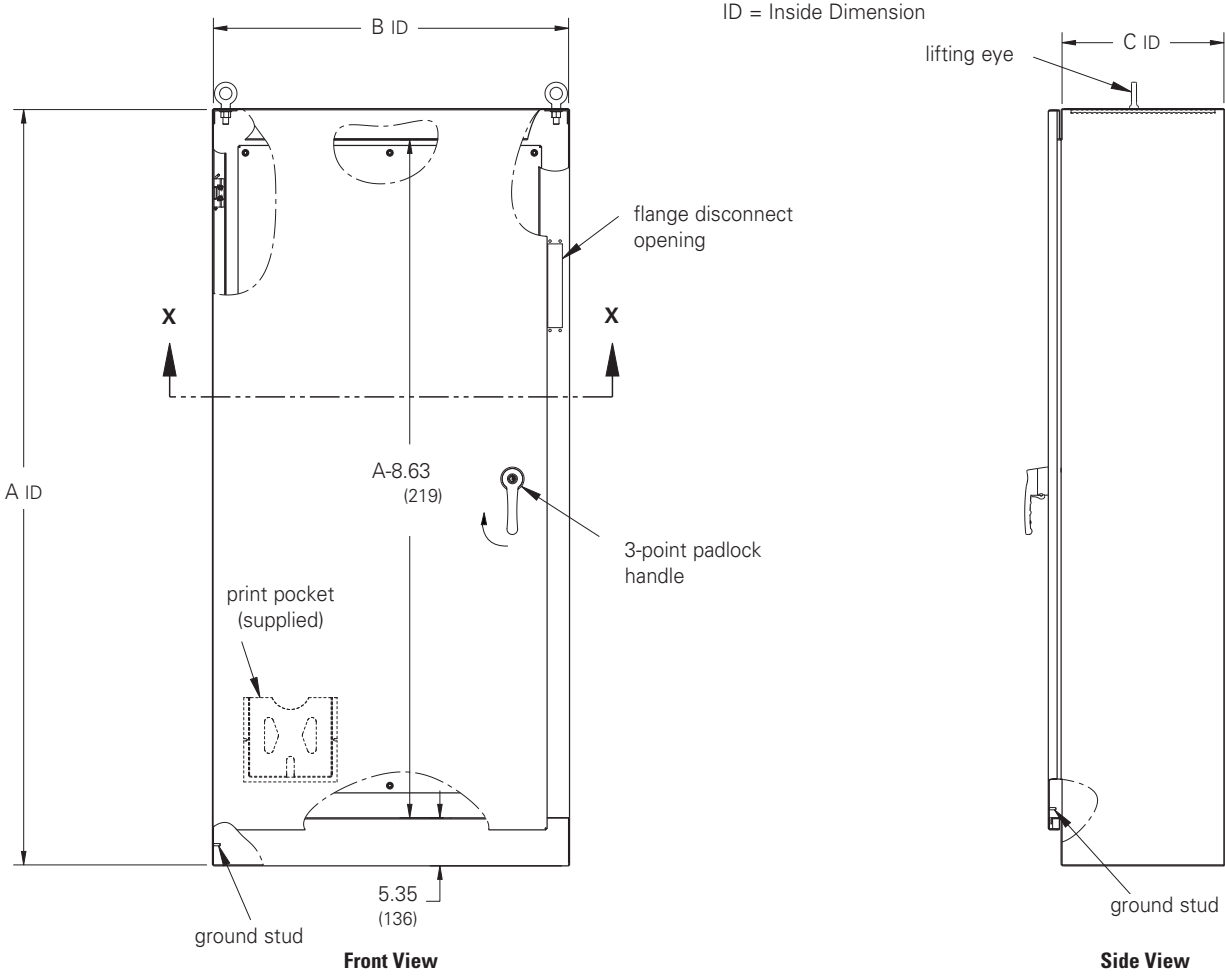
Disconnect switch (or circuit breaker), operating handle and operating mechanism are not furnished with enclosure, see disconnect ordering information, pages 326, 332 - 339.

Notes: We can provide special sizes, finishes and other modifications. Consult the factory for your special requirements.

**Ground-Mount Enclosures
Type 12 Heavy-Duty
Single-Door
Flange-Mount
Free-Standing with
3-Point Locking
Illustration Sheet and
Catalog Number
Subclass: DOE**

Enclosure Catalog Number	Enclosure Size Height x Width x Depth		Gauge	Panel Size Height x Width	
	A x B x C			in.	mm
	in.	mm			
FD722718-12FS	72.00 x 27.50 x 18.00	1829 x 699 x 457	12	60.00 x 21.75	1524 x 552
FD723318-12FS	72.00 x 33.50 x 18.00	1829 x 851 x 457	12	60.00 x 27.75	1524 x 705
FD723918-12FS	72.00 x 39.50 x 18.00	1829 x 1003 x 457	12	60.00 x 33.75	1524 x 857
FD843918-12FS	84.00 x 39.50 x 18.00	2134 x 1003 x 457	12	72.00 x 33.75	1829 x 857
FD903920-12FS	90.00 x 39.50 x 20.00	2286 x 1003 x 508	12	78.00 x 33.75	1981 x 857
FD903924-12FS	90.00 x 39.50 x 24.00	2286 x 1003 x 610	12	78.00 x 33.75	1981 x 857

Disconnect Encl.



Notes: Dimensions are in inches. Millimeters shown are for reference only. Data subject to change without notice.
Four lifting eyes are furnished when C dimension is 24" (609 mm) or more.

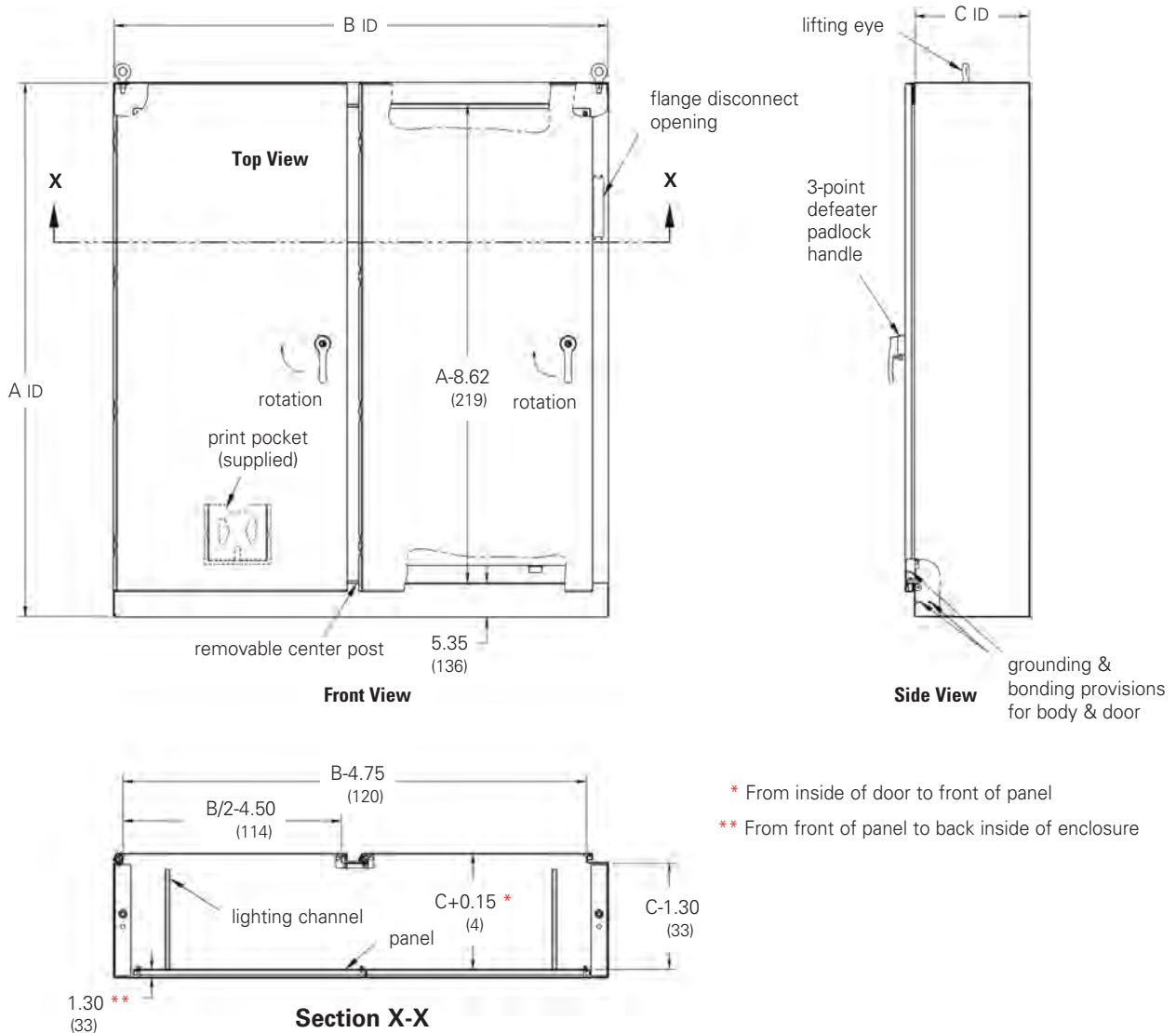
Disconnect Enclosures

Ground-Mount Enclosures Type 12 Heavy-Duty Double-Door Flange-Mount Free-Standing with 3-Point Locking Illustration Sheet and Catalog Number Subclass: DOE

Disconnect Encl.

Enclosure Catalog Number	Enclosure Size Height x Width x Depth			Gauge	Panel Size	
	A x B x C				Height	Width
	in.	mm				
FD725318-12FS	72.00 x 53.75 x 18.00	1829 x 1365 x 457		12	60.00 x 48.00	1524 x 1219
FD726518-12FS	72.00 x 65.75 x 18.00	1829 x 1670 x 457		12	60.00 x 60.00	1524 x 1524
FD727718-12FS	72.00 x 77.75 x 18.00	1829 x 1975 x 457		12	60.00 x 72.00	1524 x 1829
FD727724-12FS	72.00 x 77.75 x 24.00	1829 x 1975 x 610		12	60.00 x 72.00	1524 x 1829
FD847718-12FS	84.00 x 77.75 x 18.00	2134 x 1975 x 457		12	72.00 x 72.00	1829 x 1829
FD907720-12FS	90.00 x 77.75 x 20.00	2286 x 1975 x 508		12	78.00 x 72.00	1981 x 1829
FD907724-12FS	90.00 x 77.75 x 24.00	2286 x 1975 x 610		12	78.00 x 72.00	1981 x 1829

ID = Inside Dimension



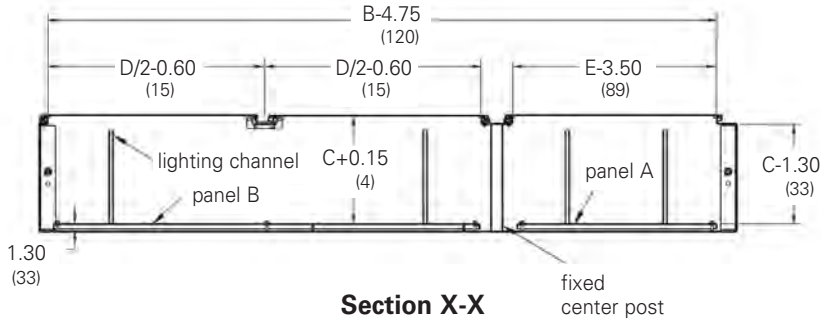
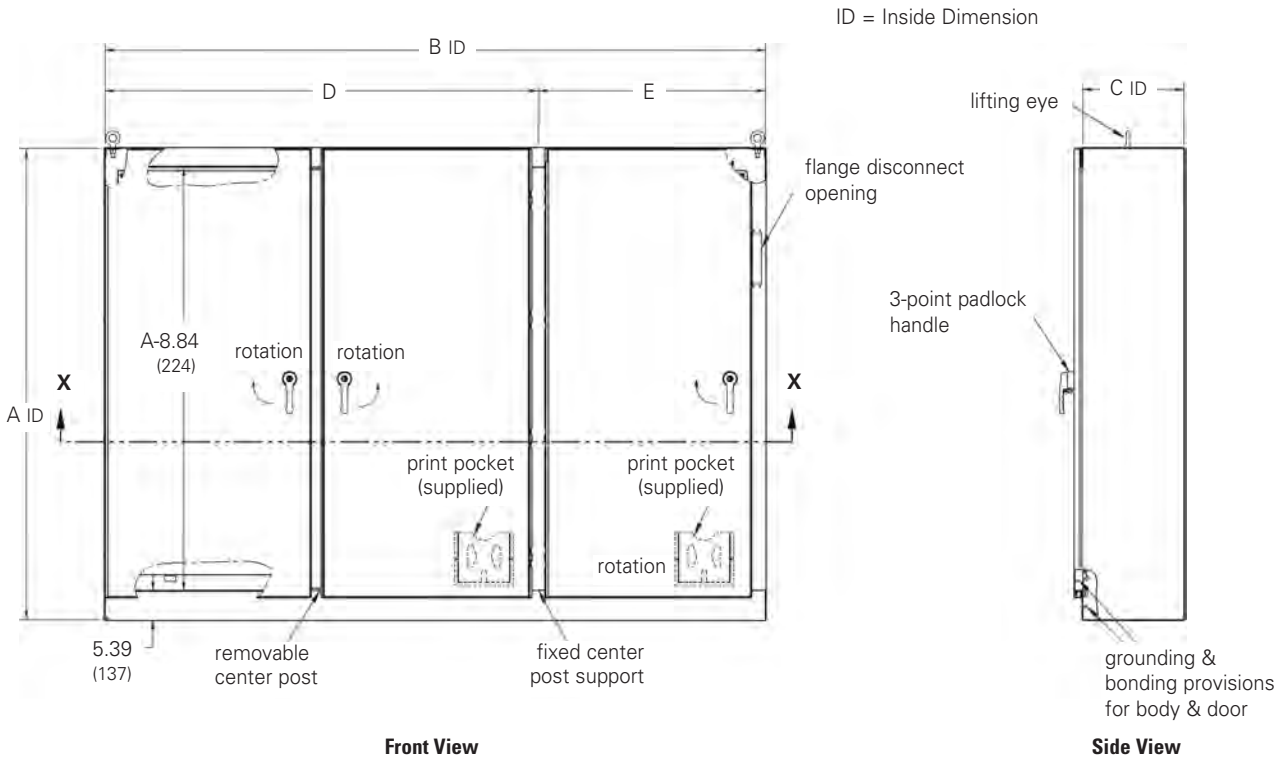
- * From inside of door to front of panel
- ** From front of panel to back inside of enclosure

Notes: Dimensions are in inches. Millimeters shown are for reference only. Data subject to change without notice.
 Four lifting eyes are furnished when C dimension is 24" (609 mm) or more.

Ground-Mount Enclosures Type 12 Heavy-Duty Three-Door Flange-Mount Free-Standing with 3-Point Locking Illustration Sheet and Catalog Number Subclass: DOF

Disconnect Encl.

Enclosure Catalog Number	Enclosure Size Height x Width x Depth A x B x C		D		E		Gauge	Panel A Size Height x Width		Panel B Size Height x Width			
	in.	mm	in.	mm	in.	mm		in.	mm	in.	mm		
FD729918-12FS	72.00	99.50 x 18.00	1829	2527 x 457	67.60	1717	31.90	810	10	60.00 x 27.75	1524 x 705	60.00 x 60.00	1524 x 1524
FD8411718-12FS	84.00	117.50 x 18.00	2134	2985 x 457	79.60	2022	37.90	962	10	72.00 x 33.75	1829 x 857	72.00 x 72.00	1829 x 1829
FD9011724-12FS	90.00	117.50 x 24.00	2286	2985 x 610	79.60	2022	37.90	962	10	78.00 x 33.75	1981 x 857	78.00 x 72.00	1981 x 1829



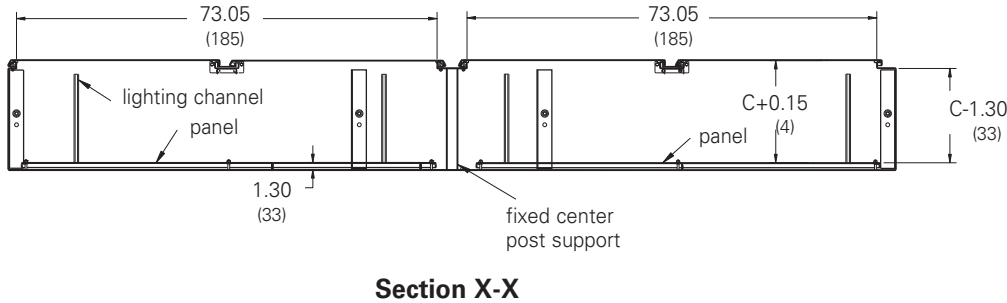
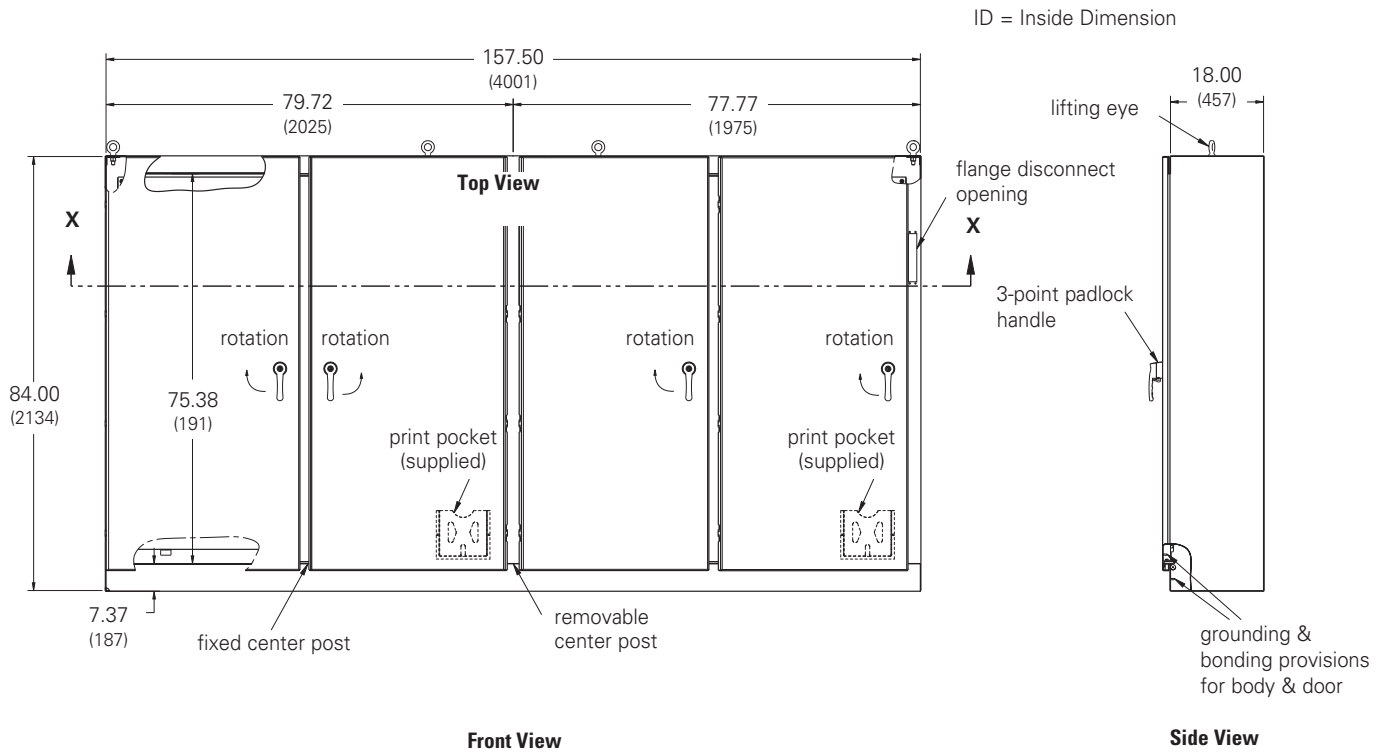
Notes: Dimensions are in inches. Millimeters shown are for reference only. Data subject to change without notice.
Four lifting eyes are furnished when C dimension is 24" (610 mm) or more.

Disconnect Enclosures

Ground-Mount Enclosures Type 12 Heavy-Duty Four-Door Flange-Mount Free-Standing with 3-Point Locking Illustration Sheet and Catalog Number Subclass: DOF

Disconnect Encl.

Enclosure Catalog Number	Enclosure Size Height x Width x Depth		Gauge	Panel Size Height x Width	
	in.	mm		in.	mm
FD8415718-12FS	84.00 x 157.50 x 18.00	2134 x 4001 x 457	10	72.00 x 72.00	1829 x 1829

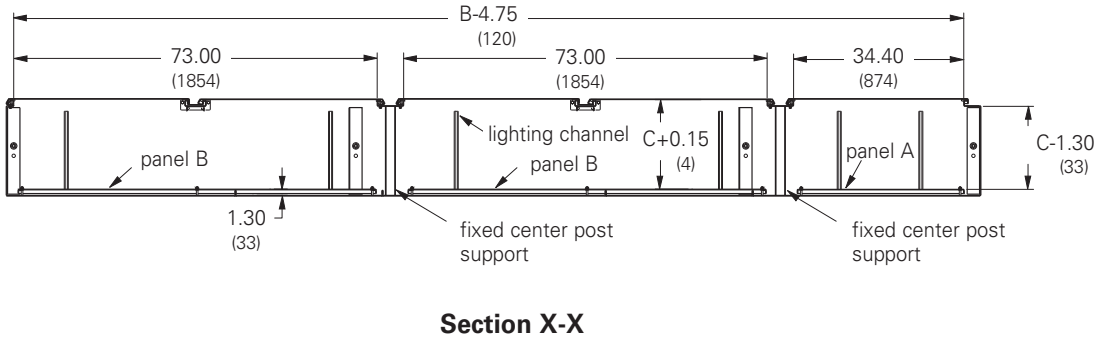
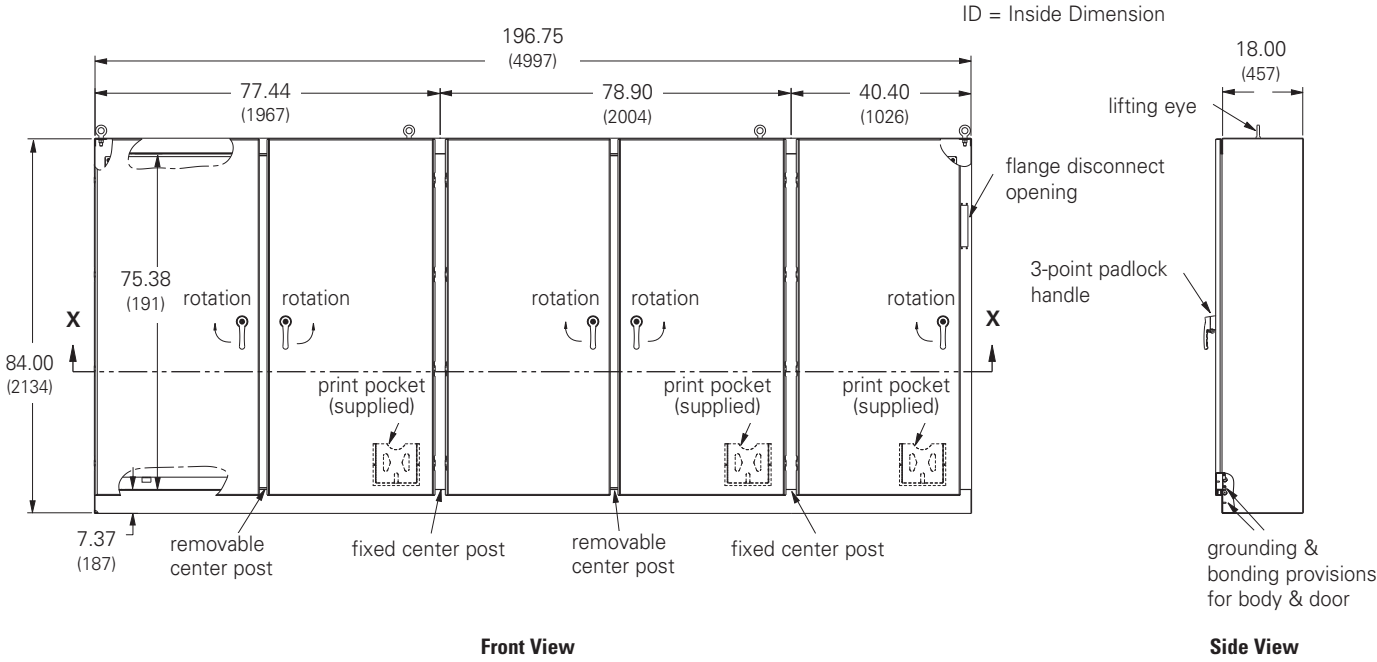


Notes: Dimensions are in inches. Millimeters shown are for reference only. Data subject to change without notice.

Ground-Mount Enclosures
Type 12 Heavy-Duty Five-Door
Flange-Mount Free-Standing with 3-Point Locking
 Illustration Sheet and Catalog Number
 Subclass: DOF

Disconnect Encl.

Enclosure Catalog Number	Enclosure Size		Gauge	Panel A Size		Panel B Size	
	Height x Width x Depth in.	mm		Height x Width in.	mm	Height x Width in.	mm
FD8419618-12FS	84.00 x 196.75 x 18.00	2134 x 4997 x 457	10	72.00 x 33.75	1829 x 857	72.00 x 72.00	1829 x 1829

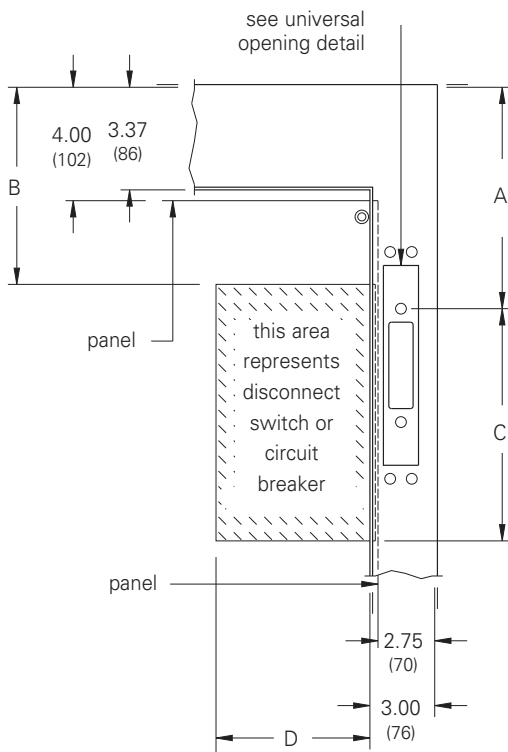


Notes: Dimensions are in inches. Millimeters shown are for reference only. Data subject to change without notice.

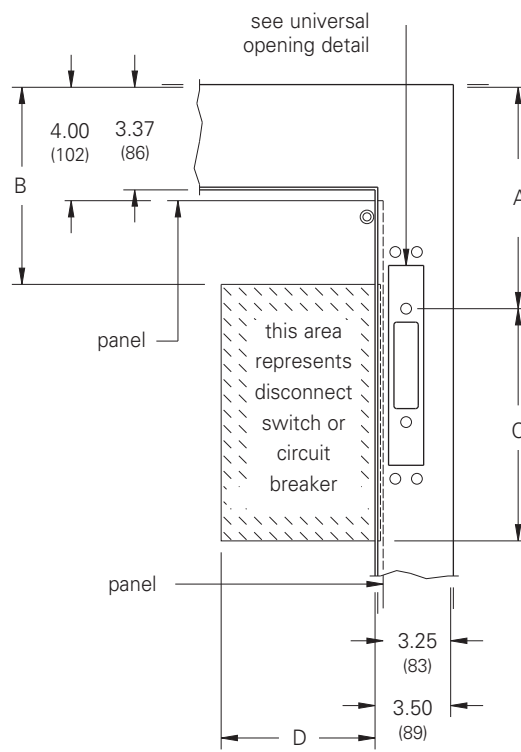
Disconnect Enclosures

Ground-Mount Enclosures Type 12 Heavy-Duty Single & Multi-Door Flange-Mount Free-Standing with 3-Point Locking Illustration Sheet

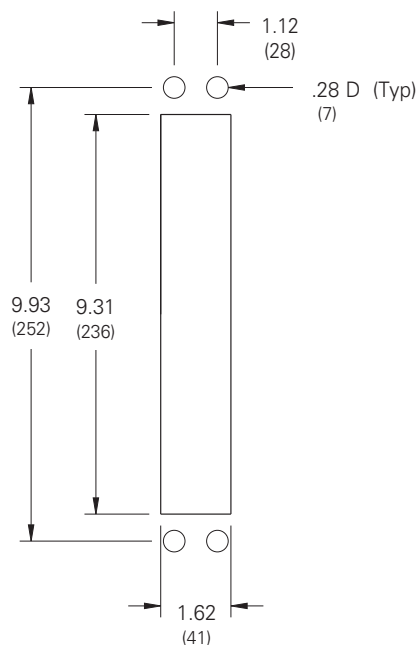
Disconnect Encl.



Flange Mounting
(1 and 2 door enclosures)



Flange Mounting
(3, 4 and 5 door enclosures)



Universal Opening Detail

The dimensional information provided in these drawings is derived from information supplied by the manufacturer of the equipment to be installed. Fit and function of all equipment should be checked before and after installation to assure proper and safe operation and compliance with the applicable regulations, codes and standards.

Universal opening must be filled with an operator adapter kit for the specific brand and type of disconnect being used, (see page 451).

Important Note

When ordering flange-mounted disconnect enclosures, be sure to include all the necessary components.

1. A flange-mounted disconnect enclosure
2. Operator adapter plates **MUST** be ordered for the specific brand and type of disconnect being used, (see page 451)

Disconnect switch (or circuit breaker), operating handle and operating mechanism are not furnished with enclosure, see disconnect ordering information, pages 326, 332 - 339.

Notes: Refer to disconnect table for associated dimensions.
Dimensions are in inches. Millimeters shown are for reference only. Data subject to change without notice.

Ground-Mount Enclosures Type 12 Modular Free-Standing Data Sheet



Application

- Houses electrical controls and instruments
- Protects against circulating dust, falling dirt and dripping non-corrosive liquids

Standards

- UL 508A listed, Type 12
- CSA C22.2 No.94 certified, Type 12
- Conforms to NEMA standard for Type 12

Finish

- Wash and phosphate undercoat
- ANSI 61 gray polyester powder finish
- Panels have a white polyester powder finish

Accessories

- Channel mounting hardware
- Blank adapter plates
- Operator adapters
- Touch-up paint
- Replacement handles: defeater handle BD-PDHB and keyed handle BD-PKHB (see pages 428 & 429).
- See Accessories section

Construction

- Enclosure and door are fabricated from (12) gauge steel
- All continuous welded seams are finished smooth
- Doors are secured to the body with removable concealed hinges and a center locating 3-point key-locking and padlock handle mechanism
- Modern bevel profile on hinge side of enclosure door(s)
- Slave doors cannot open without activation of mechanical interlock but can close in any order
- Doors have an oil-resistant gasket
- Ground stud provided on door(s) and body
- Print pocket provided
- Modular design and flanged side opening provide strength and a variety of mounting arrangements
- Heavy steel stiffeners welded across the back provide enclosure rigidity
- Removable panels mounted on .375-16 collar studs and panel supports are furnished behind each door
- Large lifting eyebolts are supplied
- Two styles of enclosure construction and specific features:
 1. Single-door disconnect enclosure - Left side open. Door hinges left serving as a master door with connecting interlocks which prevent slave doors from opening first. Defeater mechanism on door requires a screwdriver to open. Universal cut-out on right side flange for disconnect operator.
 2. Two-door disconnect enclosure - Left side open. Both doors hinge left, the right side serving as the master with connecting interlocks which prevent slave doors from opening first. Defeater mechanism on door requires a screwdriver to open. Universal cut-out on right flange for disconnect operator. Center post is removable. Lighting mounting channel provided.

Discount Schedule: C2

Subclass: DOG

Important Note

When ordering modular enclosure systems, be sure to include all the necessary components.

1. Disconnect master or slave enclosure
2. Gasket kits and/or end plates (see page 330)
3. Operator adapter plates **MUST** be ordered for the specific brand and type of disconnect being used, (see page 451)

Disconnect switch (or circuit breaker), operating handle and operating mechanism are not furnished with enclosure, see disconnect ordering information, pages 332 - 339.

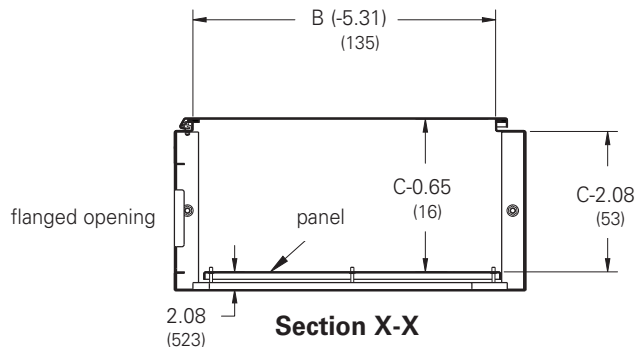
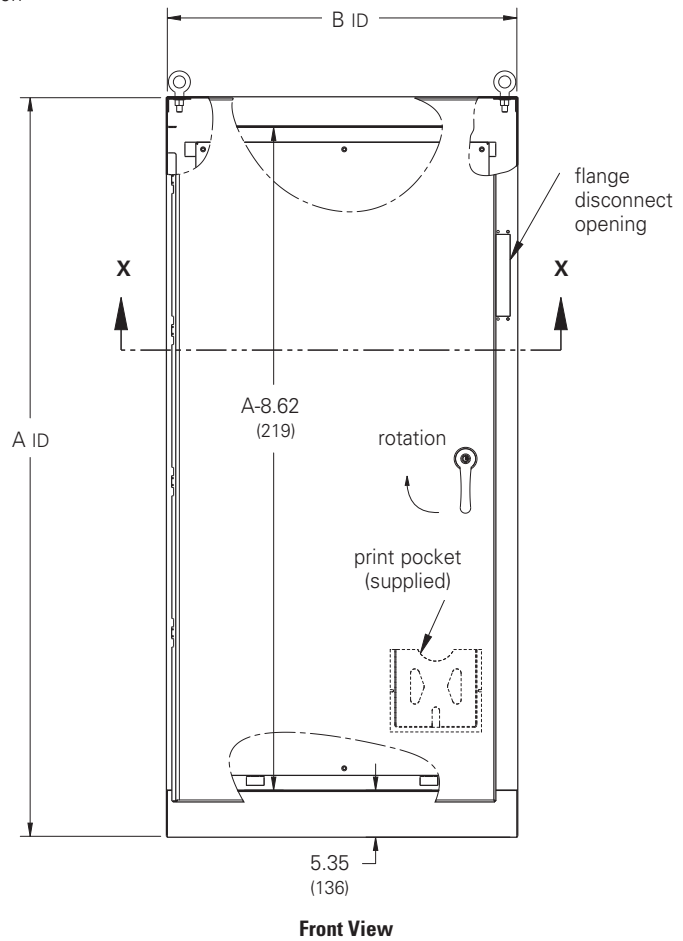
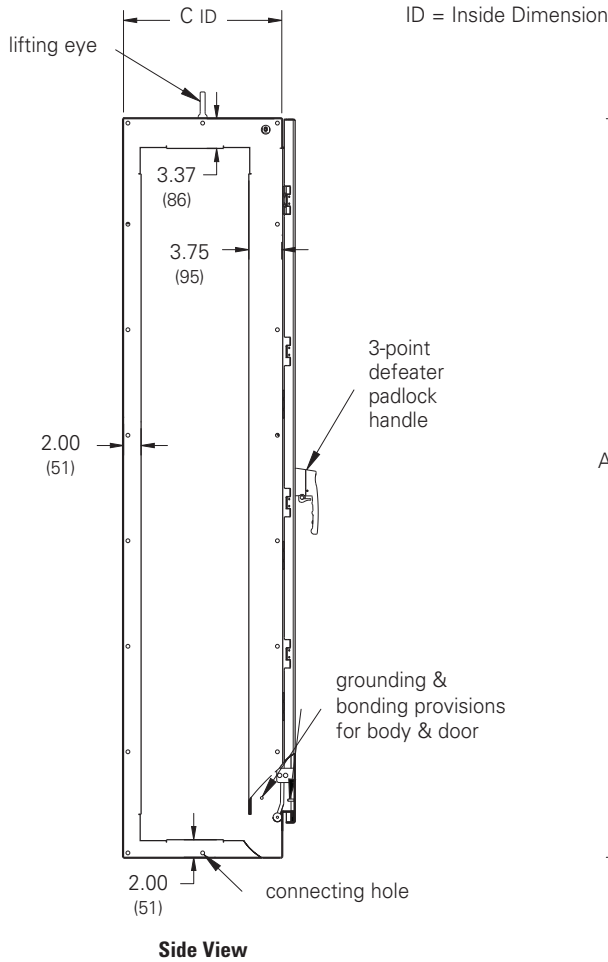
Notes: We can provide special sizes, finishes and other modifications. Consult the factory for your special requirements.

Disconnect Enclosures

Ground-Mount Enclosures Type 12 Modular Single-Door Free-Standing Illustration Sheet and Catalog Number

Disconnect Encl.

Enclosure Catalog Number	Enclosure Size Height x Width x Depth		Panel Size Height x Width	
	A x B x C			
	in.	mm	in.	mm
MFD723918-12FS	72.00 x 39.75 x 18.00	1829 x 1010 x 457	60.00 x 33.75	1524 x 857
MFD843918-12FS	84.00 x 39.75 x 18.00	2134 x 1010 x 457	72.00 x 33.75	1829 x 857
MFD843924-12FS	84.00 x 39.75 x 24.00	2134 x 1010 x 610	72.00 x 33.75	1829 x 857

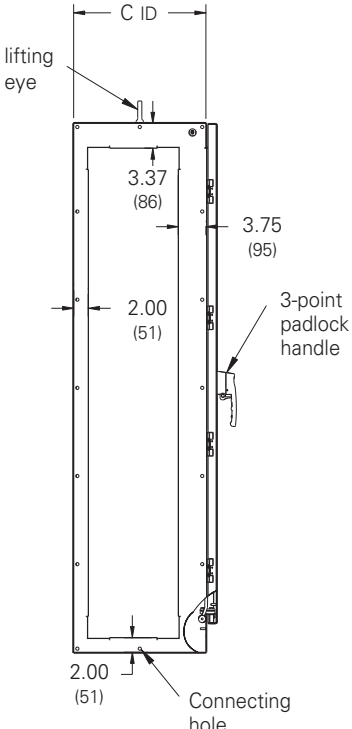


Notes: Four lifting eyes are furnished when C dimension is 24 (609 mm). Dimensions are in inches. Millimeters shown are for reference only. Data subject to change without notice.

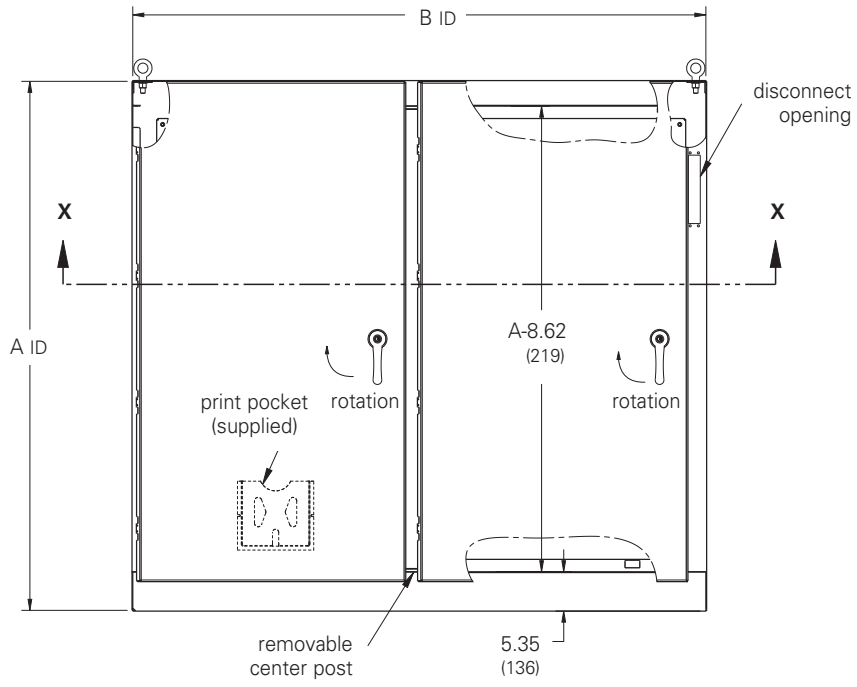
Ground-Mount Enclosures
Type 12 Modular Double-Door Free-Standing
Illustration Sheet and Catalog Number

Enclosure Catalog Number	Enclosure Size		Panel Size	
	Height x Width x Depth		Height x Width	
	in.	A x B x C mm	in.	mm
MFD727818-12FS	72.00 x 78.00 x 18.00	1829 x 1981 x 457	60.00 x 72.00	1524 x 1829
MFD847818-12FS	84.00 x 78.00 x 18.00	2134 x 1981 x 457	72.00 x 72.00	1829 x 1829
MFD847824-12FS	84.00 x 78.00 x 24.00	2134 x 1981 x 610	72.00 x 72.00	1829 x 1829

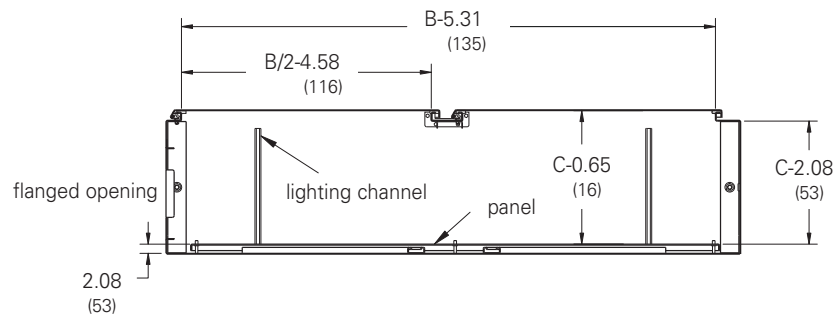
Disconnect Encl.



Side View



Front View



Section X-X

Notes: Four lifting eyes are furnished when C dimension is 24 (609 mm). Dimensions are in inches. Millimeters shown are for reference only. Data subject to change without notice.

Disconnect Enclosures

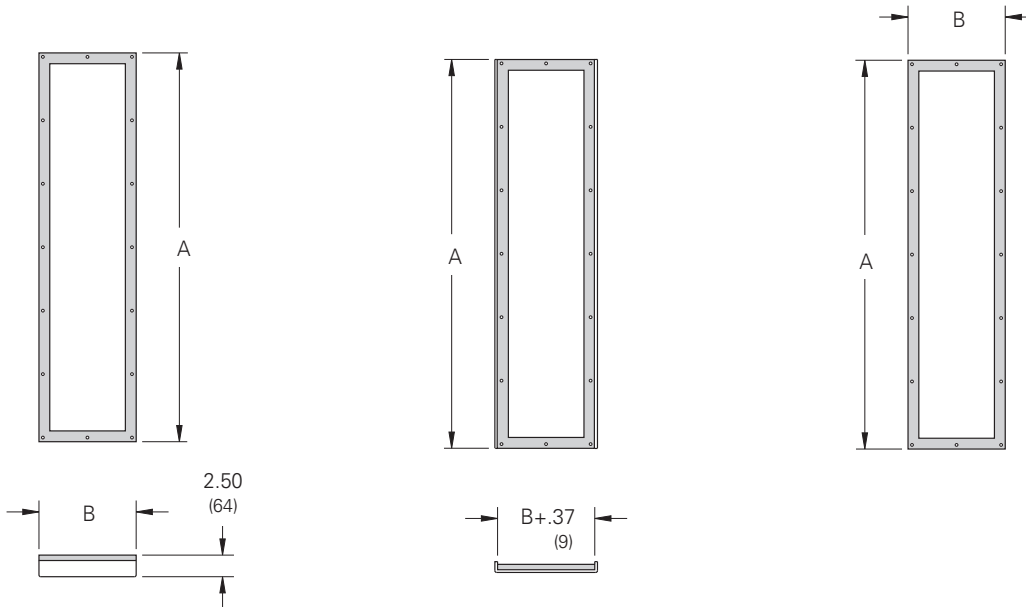
Free-Standing Accessories End Plates & Gasket Kits

Illustration Sheet and Catalog Number

Disconnect Encl.

Modular Accessories

Catalog Number	Size				Fits Enclosure			
	A		B		H x D		H x D	
	in.	mm	in.	mm	in.	mm	in.	mm
End Plate								
M7218-12FEK	72.00	1829	18.00	457	72.00	1829	18.00	457
M8418-12FEK	84.00	2134	18.00	457	84.00	2134	18.00	457
M8424-12FEK	84.00	2134	24.00	610	84.00	2134	24.00	610
Flat End Plate/Barrier								
M7218-12FBK	72.00	1829	18.25	464	72.00	1829	18.00	457
M8418-12FBK	84.00	2134	18.25	464	84.00	2134	18.00	457
M8424-12FBK	84.00	2134	24.25	464	84.00	2134	24.00	610
Gasket Kit								
M7218-12FGK	72.00	1829	18.00	457	72.00	1829	18.00	457
M8418-12FGK	84.00	2134	18.00	457	84.00	2134	18.00	457
M8424-12FGK	84.00	2134	24.00	610	84.00	2134	24.00	610



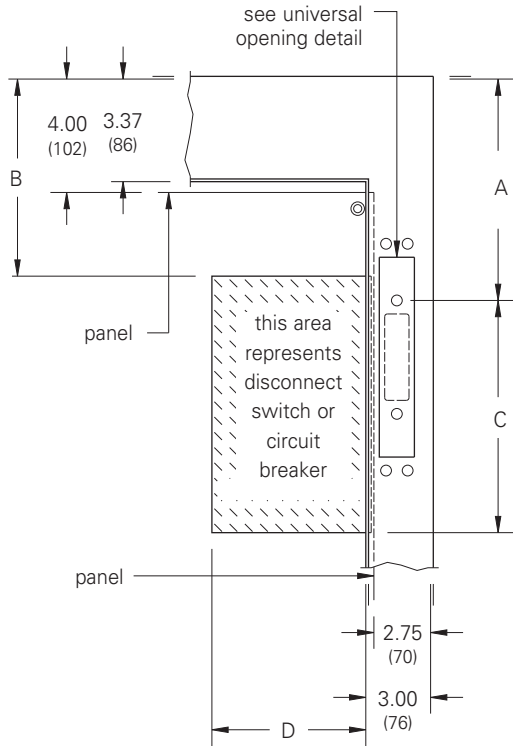
End Plate
Formed end plate and gasket used to seal open end of Modular enclosure.
Includes: End Plate, Gasket & Hardware.

Flat End Plate
Flat end plate and gasket used to seal open end of Modular enclosure. Also can serve as a barrier when additional gasket is used.
Includes: Flat End Plate, Gasket & Hardware

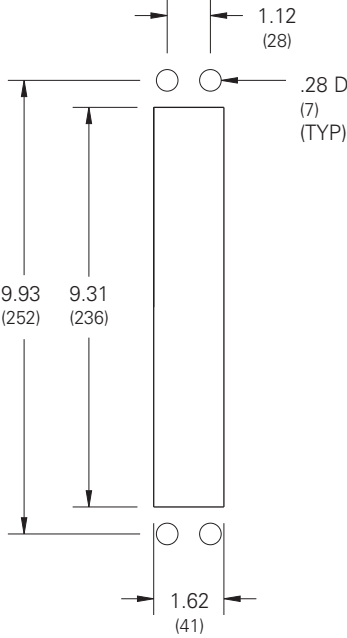
Gasket Kit
Pre-cut and pre-punched high density poron gasket is required for sealing barrier to additional modular enclosures when ganging.
Includes: Gasket & Hardware.

Notes: Dimensions are in inches. Millimeters shown are for reference only. Data subject to change without notice.

Ground-Mount Enclosures Type 12 Modular Free-Standing Illustration Sheet



Flange Mounting



Universal Opening Detail

The dimensional information provided in this drawing is derived from information supplied by the manufacturer of the equipment to be installed. Fit and function of all equipment should be checked before and after installation to assure proper and safe operation and compliance with the applicable regulations, codes and standards.

Universal opening must be filled with an operator adapter kit for the specific brand and type of disconnect being used, (see page 451).

Important Note

When ordering modular enclosure systems, be sure to include all the necessary components.

1. Disconnect master or slave enclosure
2. Gasket kits and/or end plates (see page 330)
3. Operator adapter plates **MUST** be ordered for the specific brand and type of disconnect being used, (see page 451)

Disconnect switch (or circuit breaker), operating handle and operating mechanism are not furnished with enclosure, see disconnect ordering information, pages 331 - 339.

Notes: Refer to disconnect table for associated dimensions. Dimensions are in inches. Millimeters shown are for reference only. Data subject to change without notice.

Disconnect Encl.

Disconnect Enclosures

Free-Standing Enclosures

Disconnect Ordering Information

Allen-Bradley® †

1494V / 1494U Disconnect Mechanism

Disconnect Encl.

Allen-Bradley [†] Mechanism for Switches	Amp	Fuse Clip Rating		Fuse Class	Enclosure Height								C		D ⁽¹⁾					
		Amp	Volt		72		84		90											
					A	B	A	B	A	B										
		in.	mm		in.	mm	in.	mm	in.	mm										
DS30	30A	(non)	(non)	--	11.87	301	10.00	254	17.37	441	15.50	394	20.37	517	18.50	470	4.00	102	6.75	171
DS30	30A	30A	250V	H,K,R	11.87	301	10.00	254	17.37	441	15.50	394	20.37	517	18.50	470	5.25	133	6.75	171
DS30	30A	30A	600V	H,K,R	11.87	301	10.00	254	17.37	441	15.50	394	20.37	517	18.50	470	8.00	203	6.75	171
DS30	30A	30A	600V	J	11.87	301	10.00	254	17.37	441	15.50	394	20.37	517	18.50	470	5.25	133	6.75	171
DS30	30A	60A	250V	H,K	11.87	301	10.00	254	17.37	441	15.50	394	20.37	517	18.50	470	6.00	152	6.75	171
DS30	30A	60A	600V	H,K	11.87	301	10.00	254	17.37	441	15.50	394	20.37	517	18.50	470	8.50	216	6.75	171
DS30	30A	60A	600V	J	11.87	301	10.00	254	17.37	441	15.50	394	20.37	517	18.50	470	5.50	140	6.75	171
DS60	60A	(non)	(non)	--	11.87	301	9.87	251	17.37	441	15.37	390	20.37	517	18.37	467	4.00	102	6.75	171
DS60	60A	30A	600V	H,K,R	11.87	301	9.87	251	17.37	441	15.37	390	20.37	517	18.37	467	8.00	203	6.75	171
DS60	60A	60A	250V	H,K,R	11.87	301	9.87	251	17.37	441	15.37	390	20.37	517	18.37	467	6.00	152	6.75	171
DS60	60A	60A	600V	H,K,R	11.87	301	9.87	251	17.37	441	15.37	390	20.37	517	18.37	467	8.50	216	6.75	171
DS60	60A	60A	600V	J	11.87	301	9.87	251	17.37	441	15.37	390	20.37	517	18.37	467	5.50	140	6.75	171
DS60	60A	100A	250V	H,K	11.87	301	9.87	251	17.37	441	15.37	390	20.37	517	18.37	467	8.50	216	6.75	171
DS60	60A	100A	600V	H,K	11.87	301	9.87	251	17.37	441	15.37	390	20.37	517	18.37	467	10.50	267	6.75	171
DS60	60A	100A	600V	J	11.87	301	9.87	251	17.37	441	15.37	390	20.37	517	18.37	467	7.25	184	6.75	171
DS100	100A	(non)	(non)	--	11.87	301	8.37	213	17.37	441	13.87	390	20.37	517	16.87	428	4.75	121	8.00	203
DS100	100A	100A	250V	H,K,R	11.87	301	8.37	213	17.37	441	13.87	390	20.37	517	16.87	428	10.50	267	8.00	203
DS100	100A	100A	600V	H,K,R	11.87	301	8.37	213	17.37	441	13.87	390	20.37	517	16.87	428	12.50	318	8.00	203
DS100	100A	100A	600V	J	11.87	301	8.37	213	17.37	441	13.87	390	20.37	517	16.37	416	9.25	235	8.00	203
DS100	100A	200A	250V	H,K	11.87	301	8.37	213	17.37	441	13.87	390	20.37	517	16.87	428	11.25	286	8.00	203
DS100	100A	200A	600V	H,K	11.87	301	8.37	213	17.37	441	13.87	390	20.37	517	16.87	428	13.75	349	8.00	203
DS100	100A	200A	600V	J	11.87	301	8.37	213	17.37	441	13.87	390	20.37	517	16.87	428	10.00	254	8.00	203
DS200	200A	(non)	(non)	--	10.43	265	6.00	152	15.93	405	11.50	292	18.93	481	14.50	368	10.00	254	11.00	279
DS200	200A	200A	250V	H,K,R	10.43	265	6.00	152	15.93	405	11.50	292	18.93	481	14.50	368	15.00	381	11.00	279
DS200	200A	200A	600V	H,K,R	10.43	265	6.00	152	15.93	405	11.50	292	18.93	481	14.50	368	17.25	438	11.00	279
DS200	200A	200A	600V	J	10.43	265	6.00	152	15.93	405	11.50	292	18.93	481	14.50	368	13.50	343	11.00	279
DS200	200A	400A	250V	H,K	10.43	265	6.00	152	15.93	405	11.50	292	18.93	481	14.50	368	15.75	400	11.00	279
DS200	200A	400A	600V	H,K	10.43	265	6.00	152	15.93	405	11.50	292	18.93	481	14.50	368	18.75	476	11.00	279
DS200	200A	400A	600V	J	10.43	265	6.00	152	15.93	405	11.50	292	18.93	481	14.50	368	14.25	362	11.00	279
DS400	400A	(non)	(non)	--	*	*	*	*	15.93	405	9.62	244	18.93	481	12.62	321	10.75	273	11.00	279
DS400	400A	400A	250V	H,K,R	*	*	*	*	15.93	405	9.62	244	18.93	481	12.62	321	16.25	413	11.00	279
DS400	400A	400A	600V	H,K,R	*	*	*	*	15.93	405	9.62	244	18.93	481	12.62	321	19.25	489	11.00	279
DS400	400A	400A	600V	J	*	*	*	*	15.93	405	9.62	244	18.93	481	12.62	321	14.75	375	11.00	279

Allen-Bradley [†] Mechanism for Circuit Breakers	Amp	Circuit Breaker Type		Enclosure Height								C		D ⁽¹⁾					
		Manufacturer	Frame(s)	72		84		90											
				A	B	A	B	A	B										
		in.	mm	in.	mm	in.	mm	in.	mm										
M40	150A	General Electric	TED,THED,TEC	11.87	301	11.25	286	17.37	441	16.75	425	20.37	517	19.75	502	5.75	146	4.75	121
M40	150A	Westinghouse	F (series C)	11.87	301	11.25	286	17.37	441	16.75	425	20.37	517	19.75	502	5.00	127	4.75	121
M50	250A	Westinghouse	J (series C)	11.87	301	10.87	276	17.37	441	16.37	416	20.37	517	19.37	492	9.75	248	5.00	127
M60	400A	Westinghouse	K (series C)	11.87	301	10.62	270	17.37	441	16.12	409	20.37	517	19.12	486	9.75	248	6.25	159

* Do not install disconnects in this height enclosure

(1) Dimension "D" does not include space for auxiliary switches.

The dimensional information provided in this table is derived from information supplied by the manufacturer of the equipment to be installed. Fit and function of all equipment should be checked before and after installation to assure proper and safe operation and compliance with the applicable regulations, codes and standards.

† Marks are the property of their respective owners.

Notes: Dimensions are in inches. Millimeters shown are for reference only. Data subject to change without notice.

Free-Standing Enclosures Disconnect Ordering Information Allen-Bradley †

1494F Disconnect Mechanism

Allen-Bradley [†] Mechanism for Switches	Amp	Fuse Clip Rating		Fuse Class	Enclosure Height												C		D ⁽¹⁾	
		Amp	Volt		72				84				90							
					A	B	A	B	A	B	A	B	mm	in.	mm	in.	mm	in.	mm	in.
N30	30A	(non)	(non)	--	9.87	251	9.37	238	15.37	390	14.87	378	18.37	467	17.87	454	4.75	121	6.50	165
NF30	30A	30A	250V	H,K,R	9.87	251	9.37	238	15.37	390	14.87	378	18.37	467	17.87	454	6.50	165	6.50	165
NF30	30A	30A	600V	H,K,R	9.87	251	9.37	238	15.37	390	14.87	378	17.37	441	17.87	454	9.25	235	6.50	165
NF30	30A	30A	600V	J	9.87	251	9.37	238	15.37	390	14.87	378	18.37	467	17.87	454	6.50	165	6.50	165
NF30	30A	60A	250V	H,K,R	9.87	251	9.37	238	15.37	390	14.87	378	18.37	467	17.87	454	7.25	184	6.50	165
NF30	30A	60A	600V	H,K,R	9.87	251	9.37	238	15.37	390	14.87	378	18.37	467	17.87	454	9.75	248	6.50	165
NF30	30A	60A	600V	J	9.87	251	9.37	238	15.37	390	14.87	378	18.37	467	17.87	454	6.75	171	6.50	165
N60	60A	(non)	(non)	--	9.87	251	8.62	219	15.37	390	14.12	359	18.37	467	17.12	435	4.75	121	6.50	165
NF60	60A	30A	600V	H,K,R	9.87	251	8.62	219	15.37	390	14.12	359	18.37	467	17.12	435	10.50	267	6.50	165
NF60	60A	60A	250V	H,K,R	9.87	251	8.62	219	15.37	390	14.12	359	18.37	467	17.12	435	8.50	216	6.50	165
NF60	60A	60A	600V	H,K,R	9.87	251	8.62	219	15.37	390	14.12	359	18.37	467	17.12	435	11.00	279	6.50	165
NF60	60A	60A	600V	J	9.87	251	8.62	219	15.37	390	14.12	359	18.37	467	17.12	435	57.75	1467	6.50	165
NF60	60A	100A	250V	H,K,R	9.87	251	8.62	219	15.37	390	14.12	359	18.37	467	17.12	435	11.00	279	6.50	165
NF60	60A	100A	600V	H,K,R	9.87	251	8.62	219	15.37	390	14.12	359	18.37	467	17.12	435	13.00	330	6.50	165
NF60	60A	100A	600V	J	9.87	251	8.62	219	15.37	390	14.12	359	18.37	467	17.12	435	9.75	248	6.50	165
N100	100A	(non)	(non)	--	9.87	251	6.75	171	15.37	390	12.25	311	18.37	467	15.25	387	4.75	121	7.25	184
NF100	100A	100A	250V	H,K,R	9.87	251	6.75	171	15.37	390	12.25	311	18.37	467	15.25	387	11.50	292	7.50	191
NF100	100A	100A	600V	H,K,R	9.87	251	6.75	171	15.37	390	12.25	311	18.37	467	15.25	387	13.50	343	7.50	191
NF100	100A	100A	600V	J	9.87	251	6.75	171	15.37	390	12.25	311	18.37	467	15.25	387	10.25	260	7.50	191
NF100	100A	200A	250V	H,K,R	9.87	251	6.75	171	15.37	390	12.25	311	18.37	467	15.25	387	12.25	311	7.75	197
NF100	100A	200A	600V	H,K,R	9.87	251	6.75	171	15.37	390	12.25	311	18.37	467	15.25	387	14.75	375	7.75	197
NF100	100A	200A	600V	J	9.87	251	6.75	171	15.37	390	12.25	311	18.37	467	15.25	387	11.00	279	7.75	197
N200	200A	(non)	(non)	--	8.56	217	5.12	130	14.06	357	10.62	270	17.06	433	13.62	346	7.25	184	10.50	267
NF200	200A	200A	250V	H,K,R	8.56	217	5.12	130	14.06	357	10.62	270	17.06	433	13.62	346	15.00	381	10.50	267
NF200	200A	200A	600V	H,K,R	8.56	217	5.12	130	14.06	357	10.62	270	17.06	433	13.62	346	17.50	445	10.50	267
NF200	200A	200A	600V	J	8.56	217	5.12	130	14.06	357	10.62	270	17.06	433	13.62	346	13.75	349	10.50	267
NF200	200A	400A	250V	H,K,R	8.56	217	5.12	130	14.06	357	10.62	270	17.06	433	13.62	346	16.50	419	11.00	279
NF200	200A	400A	600V	H,K,R	8.56	217	5.12	130	14.06	357	10.62	270	17.06	433	13.62	346	19.50	495	11.00	279
NF200	200A	400A	600V	J	8.56	217	5.12	130	14.06	357	10.62	270	17.06	433	13.62	346	15.00	381	11.00	279

1494D Disconnect Mechanism

Allen-Bradley [†] Mechanism for Circuit Breakers	Amp	Circuit Breaker Type		Enclosure Height												C		D ⁽¹⁾	
		Manufacturer	Frame(s)	60				72				90							
				A	B	A	B	A	B	A	B	in.	mm	in.	mm	in.	mm	in.	mm
N4/N40	150A	General Electric	TED,THED,TEC	9.87	251	9.25	235	15.37	390	14.75	375	18.37	467	17.75	451	5.87	149	4.62	117
N5/N55	225A	General Electric	TFK,THFK,TFC	9.87	251	8.50	216	15.37	390	14.00	356	18.37	467	17.00	432	8.87	225	4.75	121
N4/N40	150A	Westinghouse	F (series C)	9.87	251	9.25	235	15.37	390	14.75	375	18.37	467	17.75	451	5.87	149	4.62	117
N5/N50	250A	Westinghouse	J (series C)	9.87	251	8.50	216	15.37	390	14.00	356	18.37	467	17.00	432	8.87	225	4.75	121
N5/N60	400A	Westinghouse	K (series C)	9.87	251	8.50	216	15.37	390	14.00	356	18.37	467	17.00	432	8.87	225	5.87	149

* Do not install disconnects in this height enclosure

(1) Dimension "D" does not include space for auxiliary switches.

The dimensional information provided in this table is derived from information supplied by the manufacturer of the equipment to be installed. Fit and function of all equipment should be checked before and after installation to assure proper and safe operation and compliance with the applicable regulations, codes and standards.

† Marks are the property of their respective owners.

Notes: Dimensions are in inches. Millimeters shown are for reference only. Data subject to change without notice.

Disconnect Enclosures

Free-Standing Enclosures

Disconnect Ordering Information

Cutler-Hammer® †

Disconnect Encl.

C361 Disconnect Mechanism

Cutler-Hammer† Mechanism for Switches	Amp	Fuse Clip Rating		Fuse Class	Enclosure Height															
		Amp	Volt		72				84				90				C		D ⁽¹⁾	
					A		B		A		B		A		B					
					in.	mm	in.	mm	in.	mm	in.	mm	in.	mm	in.	mm				
NC	30A	(non)	(non)	--	11.87	301	10.50	267	17.37	441	16.00	406	20.37	517	19.00	483	4.75	121	6.25	159
SC21	30A	30A	250V	H,K,R	11.87	301	10.50	267	17.37	441	16.00	406	20.37	517	19.00	483	7.75	197	6.25	159
SC61	30A	30A	600V	H,K,R	11.87	301	10.50	267	17.37	441	16.00	406	20.37	517	19.00	483	7.75	197	6.25	159
SC61	30A	60A	250V	H,K,R	11.87	301	10.50	267	17.37	441	16.00	406	20.37	517	19.00	483	8.25	210	6.25	159
ND	60A	(non)	(non)	--	11.87	301	10.50	267	17.37	441	16.00	406	20.37	517	19.00	483	4.75	121	6.25	159
SD22	60A	30A	600V	J	11.87	301	10.50	267	17.37	441	16.00	406	20.37	517	19.00	483	7.75	197	6.25	159
SD22	60A	60A	250V	H,K,R	11.87	301	10.50	267	17.37	441	16.00	406	20.37	517	19.00	483	8.25	210	6.25	159
SD62	60A	60A	600V	H,K,R	11.87	301	10.50	267	17.37	441	16.00	406	20.37	517	19.00	483	8.25	210	6.25	159
SD62	60A	60A	600V	J	11.87	301	10.50	267	17.37	441	16.00	406	20.37	517	19.00	483	8.00	203	6.25	159
NE	100A	(non)	(non)	--	11.87	301	10.12	257	17.37	441	15.62	397	20.37	517	18.62	473	4.25	108	7.50	191
SE263	100A	100A	250V	H,K,R	11.87	301	10.12	257	17.37	441	15.62	397	20.37	517	18.62	473	9.00	229	7.50	191
SE263	100A	100A	600V	H,K,R	11.87	301	10.12	257	17.37	441	15.62	397	20.37	517	18.62	473	9.00	229	7.50	191
SE263	100A	100A	600V	J	11.87	301	10.12	257	17.37	441	15.62	397	20.37	517	18.62	473	7.75	197	7.50	191
NF	200A	(non)	(non)	--	11.87	301	8.12	257	17.37	441	13.62	397	20.37	517	16.62	422	13.25	337	10.25	260
SF264	200A	200A	250V	H,K,R	11.87	301	8.12	257	17.37	441	13.62	397	20.37	517	16.62	422	13.25	337	10.25	260
SF264	200A	200A	600V	H,K,R	11.87	301	8.12	257	17.37	441	13.62	397	20.37	517	16.62	422	13.25	337	10.25	260

C371 Disconnect Mechanism

Cutler-Hammer† Mechanism for Circuit Breakers	Amp	Circuit Breaker Type		Enclosure Height															
		Manufacturer	Frame(s)	72				84				90				C		D ⁽¹⁾	
				A		B		A		B		A		B					
				in.	mm	in.	mm	in.	mm	in.	mm	in.	mm	in.	mm				
C371E	150A	Cutler-Hammer	HMCP,FS,FH	11.87	301	11.62	295	17.37	441	17.12	435	20.37	517	20.12	511	6.00	152	5.75	146
C371F (1)	225A	Cutler-Hammer	HMCP,JS,JH,JL	11.87	301	11.50	292	17.37	441	17.00	432	20.37	517	20.00	508	11.00	279	8.25	210
C371F (1)	400A	Cutler-Hammer	HMCP,KS,KH	11.87	301	11.00	279	17.37	441	16.50	419	20.37	517	19.50	495	9.75	248	8.25	210
C371G (2)	600A	Cutler-Hammer	LS,LH	11.87	301	9.37	238	17.37	441	14.87	378	20.37	517	17.87	454	8.50	216	12.00	305
C371K (3)	800A	Cutler-Hammer	MS,MH	*	*	*	*	17.37	441	11.37	289	20.37	517	14.37	365	10.25	260	12.00	305
C371K (3)	1200A	Cutler-Hammer	NS,NH	*	*	*	*	17.37	441	11.37	289	20.37	517	14.37	365	10.25	260	12.00	305
C371E	150A	Westinghouse	F (series C)	11.87	301	11.62	295	17.37	441	17.12	435	20.37	517	20.12	511	6.00	152	5.75	146
C371F (1)	250A	Westinghouse	J (series C)	11.87	301	11.50	292	17.37	441	17.00	432	20.37	517	20.00	508	9.00	229	8.25	210
C371F (1)	400A	Westinghouse	K (series C)	11.87	301	11.00	279	17.37	441	16.50	419	20.37	517	19.50	495	9.75	248	8.25	210
C371G (2)	600A	Westinghouse	LA,LC	11.87	301	9.37	238	17.37	441	14.87	378	20.37	517	17.87	454	8.50	216	12.00	305
C371K (3)	800A	Westinghouse	MC	*	*	*	*	17.37	441	11.37	289	20.37	517	14.37	365	10.25	260	12.00	305
C371K (3)(4)(5)	1200A	Westinghouse	NC	*	*	*	*	17.37	441	11.37	289	20.37	517	14.37	365	10.25	260	12.00	305

* Do not install disconnects in this height enclosure

- (1) Wire bending space "B" does not allow the use of cable larger than 300 MCM in 72H enclosures.
- (2) Wire bending space "B" does not allow the use of cable larger than 250 MCM in 72H enclosures.
- (3) Wire bending space "B" does not allow the use of cable larger than 300 MCM in 84H enclosures.
- (4) Wire bending space "B" does not allow the use of 4 cables per terminal larger than 350 MCM in 90H enclosures.
- (5) Wire bending space "B" does not allow the use of Westinghouse terminals TA1201NB1 in 84H or 90H enclosures

The dimensional information provided in this table is derived from information supplied by the manufacturer of the equipment to be installed. Fit and function of all equipment should be checked before and after installation to assure proper and safe operation and compliance with the applicable regulations, codes and standards.

† Marks are the property of their respective owners.

Notes: Dimensions are in inches. Millimeters shown are for reference only. Data subject to change without notice.

Free-Standing Enclosures Disconnect Ordering Information General Electric †

Disconnect Encl.

TDA † Disconnects

General Electric Mechanism for Switches	Amp	Fuse Clip Rating		Fuse Class	Enclosure Height															
		Amp	Volt		72				84				90				C		D	
					A		B		A		B		A		B		in.	mm	in.	mm
					in.	mm	in.	mm	in.	mm	in.	mm	in.	mm						
NC	30A	(non)	(non)	--	11.87	301	10.50	267	17.37	441	16.00	406	20.37	517	19.00	483	4.75	121	6.25	159
TDOM1A	30A	(non)	(non)	--	11.87	301	12.37	314	17.37	441	17.87	45	20.37	517	20.87	530	7.00	178	5.50	140
TDOM1A	30A	30A	250V	H,R	11.87	301	12.37	314	17.37	441	17.87	454	20.37	517	20.87	530	7.00	178	5.50	140
TDOM1B	30A	30A	600V	H,R	11.87	301	12.37	314	17.37	441	17.87	454	20.37	517	20.87	530	11.50	292	5.50	140
TDOM1B	30A	60A	250V	H,R	11.87	301	12.37	314	17.37	441	17.87	454	20.37	517	20.87	530	11.50	292	5.50	140
TDOM1B	30A	60A	600V	H,R	11.87	301	12.37	314	17.37	441	17.87	454	20.37	517	20.87	530	11.50	292	5.50	140
TDOM1A	60A	(non)	(non)	--	11.87	301	12.37	314	17.37	441	17.87	454	20.37	517	20.87	530	7.00	178	5.50	140
TDOM1B	60A	60A	250V	H,R	11.87	301	12.37	314	17.37	441	17.87	454	20.37	517	20.87	530	11.50	292	5.50	140
TDOM1B	60A	60A	600V	H,R	11.87	301	12.37	314	17.37	441	17.87	454	20.37	517	20.87	530	11.50	292	5.50	140
TDOM1B	60A	100A	250V	H,R	11.87	301	12.37	314	17.37	441	17.87	454	20.37	517	20.87	530	11.50	292	5.50	140
TDOM1B	60A	100A	600V	H,R	11.87	301	12.37	314	17.37	441	17.87	454	20.37	517	20.87	530	11.50	292	5.50	140
TDOM1A	100A	(non)	(non)	--	11.87	301	12.37	314	17.37	441	17.87	454	20.37	517	20.87	530	7.00	178	5.50	140
TDOM1B	100A	100A	250V	H,R	11.87	301	12.37	314	17.37	441	17.87	454	20.37	517	20.87	530	11.50	292	5.50	140
TDOM1B	100A	100A	600V	H,R	11.87	301	12.37	314	17.37	441	17.87	454	20.37	517	20.87	530	11.50	292	5.50	140
TDOM1B	100A	200A	250V	H,R	11.87	301	12.37	314	17.37	441	17.87	454	20.37	517	20.87	530	11.50	292	5.50	140
TDOM1B	100A	200A	600V	H,R	11.87	301	12.37	314	17.37	441	17.87	454	20.37	517	20.87	530	11.50	292	5.50	140
TDOM2	200A	(non)	(non)	--	11.87	301	9.75	248	17.37	441	15.25	387	20.37	517	18.25	464	7.00	178	9.25	235
TDOM2	200A	200A	250V	H,R	11.87	301	9.75	248	17.37	441	15.25	387	20.37	517	18.25	464	15.50	394	9.25	235
TDOM2	200A	200A	600V	H,R	11.87	301	9.75	248	17.37	441	15.25	387	20.37	517	18.25	464	15.50	394	9.25	235

General Electric Mechanism for Circuit Breakers	Amp	Circuit Breaker Type	Enclosure Height															
			72				84				90				C		D	
			A		B		A		B		A		B		in.	mm	in.	mm
			in.	mm	in.	mm	in.	mm	in.	mm	in.	mm						
TDOM1A	150A	TEB,TEC,TEB,THED	11.87	301	11.25	286	17.37	441	16.75	425	20.37	517	19.75	502	7.00	178	5.50	140
TDOM1B	150A	TB1,TEC,TECL	11.87	301	11.25	286	17.37	441	16.75	425	20.37	517	19.75	502	11.50	292	5.50	140
TDOM1C	150A	TEL	11.87	301	11.25	286	17.37	441	16.75	425	20.37	517	19.75	502	7.00	178	5.50	140
TDOM1D	150A	THCL1	11.87	301	9.87	251	17.37	441	15.37	390	20.37	517	18.37	467	7.00	178	5.50	140
TDOM3	225A	TFJ,TFK,THFK,TFL	11.87	301	10.87	276	17.37	441	16.37	416	20.35	517	19.37	492	10.50	267	6.00	152
TDOM4	400A	TJJ,TJK4,THJK4,TJL4V	11.87	301	10.00	254	17.37	441	15.50	394	20.35	517	18.50	470	8.25	210	9.50	241
TDOM4	600A	TJK6,THJK6,TJ4V,TJL4V	11.87	301	10.00	254	17.37	441	15.50	394	20.35	517	18.50	470	8.25	210	9.50	241
TDOM5	400A	TB4,TJH6S	11.87	301	10.00	254	17.37	441	15.50	394	20.35	517	18.50	470	14.25	362	9.50	241
TDOM6	225A	TLB2,THLC2	*	*	*	*	17.37	441	14.87	378	20.37	517	17.87	454	11.75	298	9.50	241
TDOM6	400A	TLB4,THLC4	*	*	*	*	17.37	441	13.50	343	20.37	517	16.50	419	11.75	298	9.50	241
TDOM6	800A	TKMA,THKMA,TK4V	*	*	*	*	*	*	*	*	20.37	517	17.87	454	11.75	298	9.50	241
TDOM6	1200A	TK4V,THK4V	*	*	*	*	*	*	*	*	20.37	517	17.87	454	11.75	298	9.50	241
TDOM7	600A	TB6	*	*	*	*	17.37	*	11.75	298	20.37	517	14.75	375	18.25	464	9.50	241
TDOM7	800A	TB8	*	*	*	*	17.37	*	11.75	298	20.37	517	14.75	375	18.25	464	9.50	241
TDOM7	1200A	TKL12S	*	*	*	*	*	*	*	*	20.37	517	14.75	375	18.25	464	9.50	241

* Do not install disconnects in this height enclosure.

The dimensional information provided in this table is derived from information supplied by the manufacturer of the equipment to be installed. Fit and function of all equipment should be checked before and after installation to assure proper and safe operation and compliance with the applicable regulations, codes and standards.

† Marks are the property of their respective owners.

Notes: Dimensions are in inches. Millimeters shown are for reference only. Data subject to change without notice.

Disconnect Enclosures

Free-Standing Enclosures Disconnect Ordering Information I-T-E Siemens® †

MAX-FLEX † Disconnect Mechanism

Disconnect Encl.

Encl. Depth	I-T-E† Mechanism for Circuit Breakers	Cable Length	Amp	Circuit Breaker Frame in.	Device Height mm in.	Enclosure Height						C ⁽¹⁾						D ⁽²⁾	
						A						nom		min		max		min	max
						72 mm	84 mm	90 mm	nom mm	min mm	max mm	min mm	max mm	min mm	max mm				
18	FHOE036	36	125A	ED	6.37 162	11.87 301	17.37 441	20.37 517	5.37 136	-2.75 -70	13.50 343	3.00 76	9.75 248						
	FHOE036	36	125A	CED	9.62 244	11.87 301	17.37 441	20.37 517	8.50 216	.06 2	16.87 428	3.00 76	9.75 248						
	FHOF036	36	250A	FD	9.50 241	11.87 301	17.37 441	20.37 517	5.62 143	2.43 62	13.87 352	4.50 114	8.50 216						
	FHOF036	36	250A	CFD	14.12 359	11.87 301	17.37 441	20.37 517	10.25 260	7.25 184	18.62 473	4.50 114	8.50 216						
	FHOJ036	36	400A, 600A	JD, LD	11.00 279	11.87 301	17.37 441	20.37 517	5.25 133	-2.87 -73	13.43 341	7.50 191	10.12 257						
	FHOJ036	36	400A, 600A	CJD	17.87 454	11.87 301	17.37 441	20.37 517	12.12 308	4.12 105	20.37 517	7.50 191	10.12 257						
20	FHOE036	36	125A	ED	6.37 162	11.87 301	17.37 441	20.37 517	5.37 136	1.37 35	10.75 273	3.00 76	6.37 162						
	FHOE036	36	125A	CED	9.62 244	11.87 301	17.37 441	20.37 517	8.50 216	4.62 117	14.00 356	3.00 76	6.37 162						
	FHOF036	36	250A	FD	9.50 241	11.87 301	17.37 441	20.37 517	5.62 143	1.62 41	11.00 356	4.50 114	5.50 140						
	FHOF036	36	250A	CFD	14.12 359	11.87 301	17.37 441	20.37 517	10.25 260	6.43 163	15.87 403	4.50 114	5.50 140						
	FHOJ036	36	400A, 600A	JD, LD	11.00 279	11.87 301	17.37 441	20.37 517	5.25 133	0.00 0	10.62 270	7.50 191	7.25 184						
	FHOJ036	36	400A, 600A	CJD	17.87 454	11.87 301	17.37 441	20.37 517	12.12 308	6.93 176	17.50 445	7.50 191	7.25 184						
18	*	48	125A	ED	6.37 162	11.87 301	17.37 441	20.37 517	5.37 136	-15.37 -390	26.25 667	3.00 76	24.43 621						
	*	48	125A	CED	9.62 244	11.87 301	17.37 441	20.37 517	8.50 216	-12.00 -305	29.50 749	3.00 76	24.43 621						
	*	48	250A	FD	9.50 241	11.87 301	17.37 441	20.37 517	5.62 143	-15.00 -381	26.50 673	4.50 114	23.00 584						
	*	48	250A	CFD	14.12 359	11.87 301	17.37 441	20.37 517	10.25 260	-10.25 -260	30.37 771	4.50 114	23.00 584						
	*	48	400A, 600A	JD, LD	11.00 279	11.87 301	17.37 441	20.37 517	5.25 133	-15.43 -393	26.12 663	7.50 191	24.50 622						
	*	48	400A, 600A	CJD	17.87 454	11.87 301	17.37 441	20.37 517	12.12 308	-8.50 -216	33.00 838	7.50 191	24.50 622						
20	FHON048	48	800A, 1200A	MD, ND	16.00 406	11.87 301	17.37 441	20.37 517	8.12 206	-5.12 -130	21.43 544	9.00 229	20.50 521						
	*	48	125A	ED	6.37 162	11.87 301	17.37 441	20.37 517	5.37 136	-14.87 -378	25.25 641	3.00 76	23.43 595						
	*	48	125A	CED	9.62 244	11.87 301	17.37 441	20.37 517	8.50 216	-11.50 -292	28.50 724	3.00 76	23.43 595						
	*	48	250A	FD	9.50 241	11.87 301	17.37 441	20.37 517	5.62 143	-14.50 -368	25.50 648	4.50 114	22.00 559						
	*	48	250A	CFD	14.12 359	11.87 301	17.37 441	20.37 517	10.25 260	-9.75 -248	30.37 771	4.50 114	22.00 559						
	*	48	400A, 600A	JD, LD	11.00 279	11.87 301	17.37 441	20.37 517	5.25 133	-14.93 -379	25.12 638	7.50 191	23.62 600						
	*	48	400A, 600A	CJD	17.87 454	11.87 301	17.37 441	20.37 517	12.12 308	-8.00 -203	32.00 813	7.50 191	23.62 600						
24	FHON048	48	800A, 1200A	MD, ND	16.00 406	11.87 301	17.37 441	20.37 517	8.12 206	-5.12 -130	20.93 532	9.00 229	21.00 533						
	*	48	125A	ED	6.37 162	11.87 301	17.37 441	20.37 517	5.37 136	-13.37 -340	23.25 591	3.00 76	20.62 524						
	*	48	125A	CED	9.62 244	11.87 301	17.37 441	20.37 517	8.50 216	-10.00 -254	26.50 673	3.00 76	20.62 524						
	*	48	250A	FD	9.50 241	11.87 301	17.37 441	20.37 517	5.62 143	-13.00 -330	23.50 597	4.50 114	19.37 492						
	*	48	250A	CFD	14.12 359	11.87 301	17.37 441	20.37 517	10.25 260	-8.25 -210	28.37 721	4.50 114	19.37 492						
	*	48	400A, 600A	JD, LD	11.00 279	11.87 301	17.37 441	20.37 517	5.25 133	-13.43 -341	23.12 587	7.50 191	20.93 532						
FHON048	48	800A, 1200A	MD,ND	26.00 406	11.87 301	17.37 441	20.37 517	8.12 206	-3.12 -79	19.93 506	9.00 229	20.50 521							

I-T-E SIEMENS † MAX-FLEX † Disconnect Mechanism

Disconnect Mechanism	Cable Length	Circuit Breaker Types
FHOE036	36	ED2 ,ED4, ED6, HED4, HED6, ED6ETI
FHOE036	36	CED6, CED6ETI
FHOF036	36	FD6, FXD6, HFD6, FXD6ETI
FHOF036	36	CFD6, CFD6ETI
FHOJ036	36	JD2, JD6, JXD6, HJD6, JXD6ETI, LD6,LXD6, HLD6, LXD6ETI, SHJD6, SLD6, SHLD6
FHOJ036	36	CJD6, CJD6ETI, CLD6, CLD6ETI,SCJD6,SCLD6
FHON048	48	MD6, HMD6, CMD6, MXD6ETI, CMD6ETI, SMD6, SHMD6, SCMD6, ND6, HND6,CND6,SND6,SCND6

* Non-standard mechanism with 48 inch operating cable must be specified.

(1) Flexible operating cable allows disconnect to be mounted within min and max of "C" dimension when "D" is minimum.

(2) Flexible operating cable allows disconnect to be mounted within min and max of "D" dimension when "C" is nominal

The dimensional information provided in this table is derived from information supplied by the manufacturer of the equipment to be installed. Fit and function of all equipment should be checked before and after installation to assure proper and safe operation and compliance with the applicable regulations, codes and standards.

† Marks are the property of their respective owners.

Notes: Flexible cable allows for variable disconnect mounting and adequate wire bending space must be maintained. Dimensions are in inches. Millimeters shown are for reference only. Data subject to change without notice.

Free-Standing Enclosures Disconnect Ordering Information Square D® †

Disconnect Encl.

9422 Disconnect Mechanism

Square D [†] Mechanism for Switches	Amp	Fuse Clip Rating		Fuse Class	Enclosure Height												C		D	
		Amp	Volt		72				84				90							
					A		B		A		B		A		B					
					in.	mm	in.	mm	in.	mm	in.	mm	in.	mm	in.	mm				
RC-1	30A	(non)	(non)	--	11.87	301	11.75	298	17.37	441	17.18	436	20.37	517	20.18	513	3.25	83	7.25	184
RC-2	30A	30A	250V	H,K,R	11.87	301	11.75	298	17.37	441	17.18	436	20.37	517	20.18	513	5.00	127	7.25	184
RC-3	30A	30A	600V	H,K,R	11.87	301	11.75	298	17.37	441	17.18	436	20.37	517	20.18	513	8.00	203	7.25	184
RC-3	30A	30A	600V	J	11.87	301	11.75	298	17.37	441	17.18	436	20.37	517	20.18	513	5.00	127	7.25	184
RC-3	30A	60A	250V	H,K,R	11.87	301	11.75	298	17.37	441	17.18	436	20.37	517	20.18	513	6.00	152	7.25	184
TC-1	30A	(non)	(non)	--	11.87	301	9.87	251	17.37	441	15.37	390	20.37	517	18.37	467	5.75	146	6.25	159
TC-2	30A	30A	250V	H,K,R	11.87	301	9.87	251	17.37	441	15.37	390	20.37	517	18.37	467	5.75	146	6.25	159
TC-3	30A	30A	600V	H,K,R	11.87	301	9.87	251	17.37	441	15.37	390	20.37	517	18.37	467	7.75	197	6.25	159
TC-3	30A	30A	600V	J	11.87	301	9.87	251	17.37	441	15.37	390	20.37	517	18.37	467	5.75	146	6.25	159
TC-3	30A	60A	250V	H,K,R	11.87	301	9.87	251	17.37	441	15.37	390	20.37	517	18.37	467	6.00	152	6.25	159
TD-1	60A	(non)	(non)	--	11.87	301	10.75	273	17.37	441	16.25	413	20.37	517	19.25	489	6.50	165	6.75	171
TD-2	60A	30A	600V	H,K,R	11.87	301	10.75	273	17.37	441	16.25	413	20.37	517	19.25	489	8.50	216	6.75	171
TD-2	60A	60A	250V	H,K,R	11.87	301	10.75	273	17.37	441	16.25	413	20.37	517	19.25	489	6.50	165	6.75	171
TD-3	60A	60A	600V	H,K,R	11.87	301	10.75	273	17.37	441	16.25	413	20.37	517	19.25	489	9.00	229	6.75	171
TD-3	60A	60A	600V	J	11.87	301	10.75	273	17.37	441	16.25	413	20.37	517	19.25	489	6.50	165	6.75	171
TE-1	100A	(non)	(non)	--	11.87	301	10.50	273	17.37	441	16.00	406	20.37	517	19.00	483	4.75	121	8.50	216
TE-2	100A	100A	250V	H,K,R	11.87	301	10.50	273	17.37	441	16.00	406	20.37	517	19.00	483	7.50	191	8.50	216
TE-2	100A	100A	600V	H,K,R	11.87	301	10.50	273	17.37	441	16.00	406	20.37	517	19.00	483	9.50	241	8.50	216
TE-2	100A	100A	600V	J	11.87	301	10.50	273	17.37	441	16.00	406	20.37	517	19.00	483	6.25	159	8.50	216
TE-3	100A	200A	600V	J	11.87	301	10.50	273	17.37	441	16.00	406	20.37	517	19.00	483	13.75	349	8.50	216
TF-1	200A	(non)	(non)	--	11.87	301	9.12	232	17.37	441	14.62	371	20.37	517	17.62	448	5.50	140	11.75	298
TF-2	200A	200A	250V	H,K,R	11.87	301	9.12	232	17.37	441	14.62	371	20.37	517	17.62	448	11.50	292	11.75	298
TF-2	200A	200A	600V	H,K,R	11.87	301	9.12	232	17.37	441	14.62	371	20.37	517	17.62	448	14.00	356	11.75	298
TF-2	200A	200A	600V	J	11.87	301	9.12	232	17.37	441	14.62	371	20.37	517	17.62	448	10.25	260	11.75	28
TF-3	200A	400A	600V	J	11.87	301	9.12	232	17.37	441	14.62	371	20.37	517	17.62	448	14.50	368	11.75	298

Square D [†] Mechanism for Circuit Breakers	Amp	Circuit Breaker Type	Enclosure Height												C		D	
			72				84				90							
			A		B		A		B		A		B					
			in.	mm	in.	mm	in.	mm	in.	mm	in.	mm	in.	mm				
RN-1	100A	FAL,FHL,FCL	7.87	200	6.87	174	17.37	441	16.37	416	20.37	517	19.37	492	5.25	133	5.50	140
RP-1	250A	KAL,KHL,KCL	7.87	200	6.62	168	17.37	441	17.12	435	20.37	517	20.12	511	7.25	184	5.75	146
RR-1	400A	LAL,LHL,Q4L	*	*	*	*	17.37	441	12.75	324	20.37	517	15.75	400	7.75	197	9.00	229
RR-2	400A	ILL	*	*	*	*	17.37	441	17.12	435	20.37	517	20.12	511	11.00	279	15.75	400
RT-1	800A	MEL	*	*	*	*	17.37	441	12.62	321	20.37	517	15.62	397	9.25	235	12.00	305
RT-1	1000A	MAL,MHL	*	*	*	*	17.37	441	12.62	321	20.37	517	16.62	422	9.25	235	12.00	305

* Do not install disconnects in this height enclosure.

The dimensional information provided in this table is derived from information supplied by the manufacturer of the equipment to be installed. Fit and function of all equipment should be checked before and after installation to assure proper and safe operation and compliance with the applicable regulations, codes and standards.

† Marks are the property of their respective owners.

Notes: Dimensions are in inches. Millimeters shown are for reference only. Data subject to change without notice.

Disconnect Enclosures

Free-Standing Enclosures Disconnect Ordering Information

ALLEN-BRADLEY †

Standard enclosures designed to accept variable depth type 1494V / 1494U.

Allen-Bradley† 1494V / 1494U disconnect switch:

- 1.Disconnect switch.
- 2.Operating mechanism.
- 3.Operating handle.
- 4.Fuse block kit, (if required).
- 5.Fuse clip kit, (if required).
- 6.Line and Load connectors, (if necessary).
- 7.Connecting rod.

Allen-Bradley† 1494V 1494U circuit breaker:

- 1.Circuit breaker.
- 2.Operating mechanism.
- 3.Operating handle.
- 4.Line and load connectors, (if necessary).
- 5.Connecting rod.

NOTE: Standard enclosures designed to accept fixed depth type 1494F or 1494D.

Allen-Bradley† 1494F disconnect switch:

- 1.Disconnect switch.
- 2.Operating mechanism.
- 3.Operating handle.
- 4.Fuse block kit, (if required).
- 5.Fuse clip kit, (if required).
- 6.Line and load connectors, (if necessary).

Allen-Bradley† 1494D circuit breaker:

- 1.Circuit breaker.
- 2.Operating mechanism.
- 3.Operating handle.
- 4.Line and load connectors, (if necessary).
- 5.Slide mechanism

CUTLER-HAMMER †

Standard enclosures designed to accept variable depth type C361 or C371.

Cutler-Hammer† C361 disconnect switch:

- 1.Disconnect switch.
- 2.Operating mechanism.
- 3.Operating handle.
- 4.Fuse clip kit, (if required).
- 5.Line and load connectors, (if necessary) .

NOTE: Items 1, 2 and 3 can be ordered as an assembly.

Cutler-Hammer† C371 circuit breaker:

- 1.Circuit breaker.
- 2.Operating mechanism.
- 3.Operating handle.
- 4.Line and load connectors, (if necessary).

NOTE: Items 2 and 3 can be ordered as an assembly.

GENERAL ELECTRIC †

Standard enclosures designed to accept variable depth type TDA.

General Electric† TDA disconnect switch:

- 1.Disconnect switch, (QMR, QMW).
- 2.Operating mechanism.
- 3.Operating handle TDA1.
- 4.Fuse clip kit or no-fuse kit, (if required).
- 5.Line and load connectors, (if necessary).
- 6.Extended length drive rod, (if required).

NOTE:These items can be ordered as an assembly.

General Electric† TDA circuit breaker:

- 1.Circuit breaker.
- 2.Operating mechanism.
- 3.Operating handle TDA1.
- 4.Line and load connectors, (if necessary).
- 5.Extended length drive rods, (if required).

I-T-E SIEMENS †

Standard enclosures designed to accept Max-Flex† type FHO.

I-T-E† Max-Flex† circuit breaker:

- 1.Circuit breaker.
- 2.Operating mechanism.
- 3.Operating handle.
- 4.Line and load connectors, (if necessary).
- 5.Operating cable.

NOTE: Items 2, 3 and 5 can be ordered as an assembly, standard with a 36 inch long operating cable. All 24 inch deep enclosures require a 48 inch long cable.

† Marks are the property of their respective owners.

Free-Standing Enclosures Disconnect Ordering Information

SQUARE D †

Standard enclosures designed to accept variable depth type 9422.

Square D† 9422 disconnect switch:

1. Disconnect switch.
2. Operating mechanism.
3. Operating handle.
4. Fuse clip kit, (if required).
5. Line and load connectors, (if necessary).
6. Connecting rod.

Square D† 9422 circuit breaker:

1. Circuit Breaker.
2. Operating mechanism.
3. Operating handle.
4. Line and load connectors, (if necessary).
5. Connecting rod.

Important Note

When ordering flange-mounted disconnect equipment be sure to include all necessary components.

1. Enclosure includes the following equipment:
Enclosure door locking handle and rods
Door interlocking system
Interlocking connecting rod
Adjustable bracket, (see note 3)
2. Operator adapter plate, gasket and hardware for the type of disconnect device being used **MUST** be ordered separately (see page 451)
3. 24 inch deep enclosures include an adjustable bracket for mounting some disconnects:
Cutler-Hammer† C361 device
Cutler-Hammer† C371 E and F devices unless long connecting rod C371CS1 is specified
Cutler-Hammer† C371 G and K devices unless long connecting rod C371CS2 is specified
General Electric† TDA device unless extended length rod TDSR is specified.
Square D† 9422 device unless extra long connecting rod 9422-R2 is specified.
4. Disconnects and related components are available from the manufacturer.
5. The disconnect ordering information provided is derived from information supplied by the manufacturer of the equipment to be installed. Fit and function of all equipment should be checked before and after installation to assure proper and safe operation and compliance with the applicable regulations, codes and standards.

† Marks are the property of their respective owners.



Operator Enclosures

Pushbutton Enclosures Type 12 and Type 4X - 22.5 mm & 30.5 mm	342-343
Pushbutton Enclosures Type 12 and Type 4X Extra-Deep - 30.5 mm	344-345
Pushbutton Enclosures Type 12 Miniature - 22.5 mm	346-347
Pushbutton Enclosures Type 12 Hinge Cover - 30.5 mm with Panel	348-349
Pushbutton Enclosures Type 12 Angle Front - 30.5 mm	350-351
Pushbutton Enclosures Hole & Cutout Information	352
Consolet Type 12	353-355
Console Type 12 - AW-9	356-357
Console Type 12 - AW-12	358-360
Console Type 12 - AW-14	361-365
Console Accessories Type 12 - AW-14	366-367
Console Accessories	368-369

Operator Enclosures

Pushbutton Enclosures Type 12 & Type 4X - 22.5 mm & 30.5 mm Data and Illustration Sheet



PBxx Series

PVxSS Series

Application

- Designed to mount standard 30.5 mm or miniature 22.5 mm oil-tight pushbuttons, pilot lights and switches
- Protects against circulating dust, falling dirt and dripping non-corrosive liquids

Standards

- UL 508A listed, Type 12, Type 13, and Type 4X
- CSA C22.2 No.94 certified, Type 12, Type 13, and Type 4X
- Conforms to NEMA standard for Type 12, Type 13, and Type 4X

Finish

- Wash and phosphate undercoat
- ANSI 61 gray polyester powder finish
- Stainless steel enclosure cover and sides of body have a smooth brushed finish

Accessories

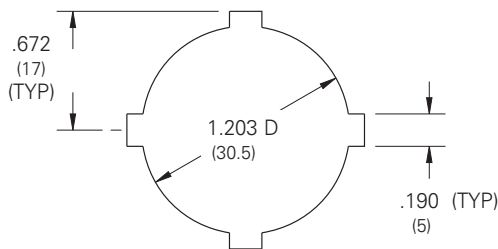
- Hole seals
- Columns and bases
- Touch-up paint
- See accessories section

Construction

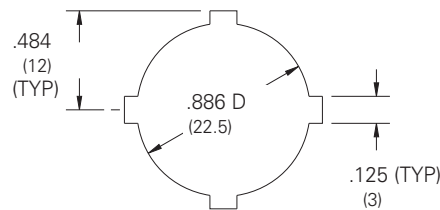
- Enclosure and cover are fabricated from (14) or (16) gauge steel, Type 304 or Type 316L stainless steel
- All continuous welded seams are finished smooth
- Cover is attached with captive screws which thread into sealed well nuts (stainless enclosures use stainless sealed well nuts)
- Cover has concealed, detachable hinges which allow for quick removal and can be hinged on either side (not offered on all sizes)
- Cover has a fixed, oil-resistant gasket
- Weldnut in body of enclosure for grounding
- Cover is pre-punched with standard 30.5 mm or miniature 22.5 mm "4-way" pushbutton holes
- External mounting feet are provided for secure wall mounting

Discount Schedule: C2

Subclass: DPO



Standard 4-Way



Miniature 4-Way

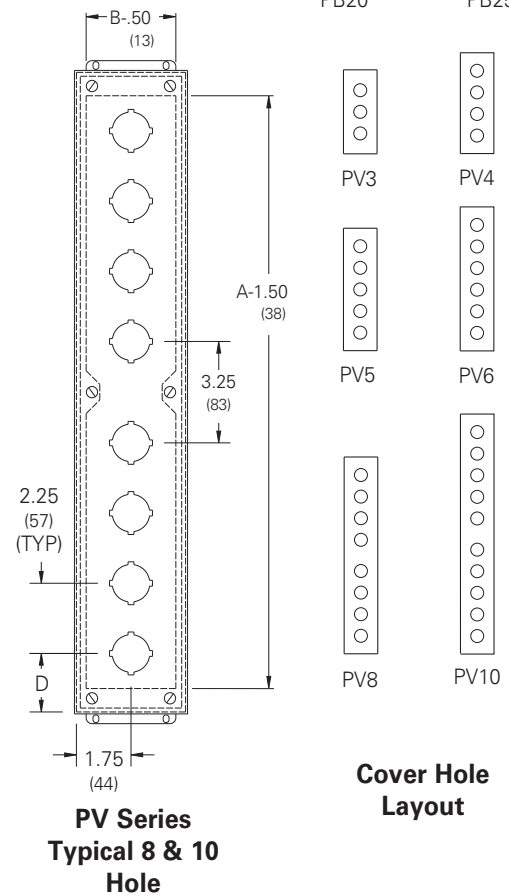
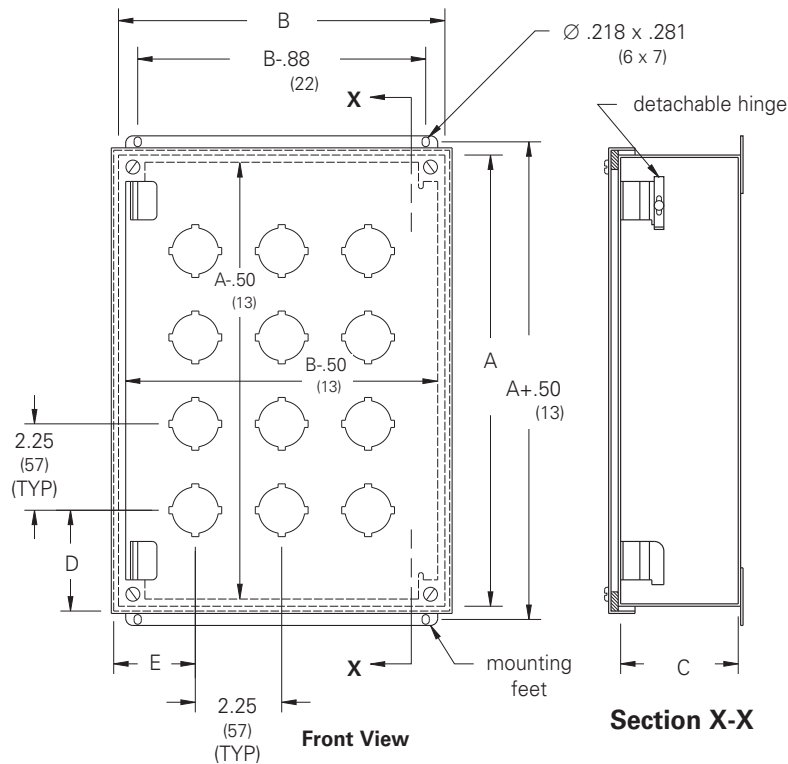
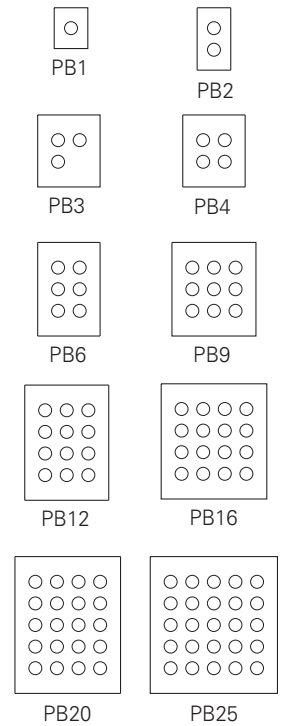
Notes: We can provide special sizes, finishes and other holes and cutouts, see page 352. Consult the factory for your special requirements.

Pushbutton Enclosures Type 12 & Type 4X - 22.5 mm & 30.5 mm Illustration Sheet and Catalog Number

Enclosure Catalog Number					Holes	Enclosure Size		D		E	
(30.5 mm Hole)			(22.5 mm Hole)			Height x Width x Depth		in. mm		in. mm	
Steel	Type 304 Stainless	Type 316L Stainless	Steel	Type 304 Stainless		A x B x C					
						in.	mm				
PB1*†	PB1SS*†	PB1SS6*†	PB1M*†	PB1MSS*†	1	4.00 x 3.25 x 3.00	102 x 83 x 76	2.12	54	1.75	44
PB2*†	PB2SS*†	PB2SS6*†	PB2M*†	PB2MSS*†	2	5.75 x 3.25 x 3.00	146 x 83 x 76	2.12	54	1.75	44
PB3	-	-	-	-	3	7.25 x 6.25 x 3.00	184 x 159 x 76	2.62	67	2.12	54
PB4	-	-	-	-	4	7.25 x 6.25 x 3.00	184 x 159 x 76	2.62	67	2.12	54
PB6	PB6SS*	PB6SS6*	-	-	6	9.50 x 6.25 x 3.00	241 x 159 x 76	2.62	67	2.12	54
PB9	PB9SS*	PB9SS6*	-	-	9	9.50 x 8.50 x 3.00	241 x 216 x 76	2.62	67	2.12	54
PB12	PB12SS*	PB12SS6*	-	-	12	11.75 x 8.50 x 3.00	298 x 216 x 76	2.62	67	2.12	54
PB16	-	-	-	-	16	11.75 x 10.75 x 3.00	298 x 273 x 76	2.62	67	2.12	54
PB20	-	-	-	-	20	14.00 x 10.75 x 3.00	356 x 273 x 76	2.62	67	2.12	54
PB25	-	-	-	-	25	14.00 x 13.00 x 3.00	356 x 330 x 76	2.62	67	2.12	54
PV3*	PV3SS*	PV3SS6*	PV3M*	PV3MSS*	3	8.00 x 3.25 x 2.75	203 x 83 x 70	2.12	54	1.75	44
PV4*	PV4SS*	PV4SS6*	PV4M*	PV4MSS*	4	10.25 x 3.25 x 2.75	260 x 83 x 70	1.87	47	1.75	44
PV5*	-	-	-	-	5	12.50 x 3.25 x 2.75	318 x 83 x 70	1.87	47	1.75	44
PV6*	-	-	-	-	6	14.75 x 3.25 x 2.75	375 x 83 x 70	1.87	47	1.75	44
PV8*	-	-	-	-	8	20.25 x 3.25 x 2.75	514 x 83 x 70	1.87	47	1.75	44
PV10*	-	-	-	-	10	24.75 x 3.25 x 2.75	629 x 83 x 70	1.87	47	1.75	44

* Enclosures are not hinged.

† PB1 and PB2 enclosures are fabricated from (16) gauge steel or stainless steel



Notes: Dimensions are in inches. Millimeters shown are for reference only. Data subject to change without notice.

Operator Enclosures

Pushbutton Enclosures Type 12 & Type 4X Extra-Deep - 30.5 mm Data and Illustration Sheet



Application

- Designed to mount standard 30.5 mm oil-tight pushbuttons, pilot lights and switches
- Protects against circulating dust, falling dirt and dripping non-corrosive liquids

Standards

- UL 508A listed, Type 12, Type 13, and Type 4X
- CSA C22.2 No.94 certified, Type 12, Type 13, and Type 4X
- Conforms to NEMA standard for Type 12, Type 13, and Type 4X

Finish

- Wash and phosphate undercoat
- ANSI 61 gray polyester powder finish
- Stainless steel enclosure cover and sides of body have a smooth brushed finish

Accessories

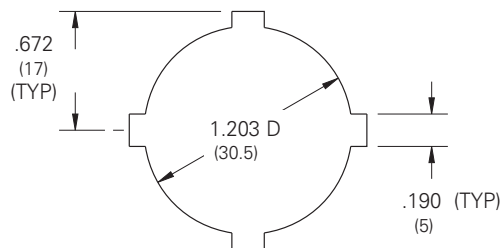
- Hole seals
- Columns and bases
- Touch-up paint
- See accessories section

Construction

- Enclosure and cover are fabricated from (14) or (16) gauge steel or Type 304 stainless steel
- Enclosure has extra depth for those components that require more room
- All continuous welded seams are finished smooth
- Cover is attached with captive screws which thread into sealed well nuts (stainless enclosures use stainless sealed well nuts)
- Cover has concealed, detachable hinges which allow for quick removal and can be hinged on either side (PBX Series only)
- Cover has a fixed, oil-resistant gasket
- Weldnut in body of enclosure for grounding
- Cover is prepunched with standard 30.5 mm "4-way" pushbutton holes
- External mounting feet are provided for secure wall mounting

Discount Schedule: C2

Subclass: DPO



Standard 4-Way

Notes: We can provide special sizes, finishes and other holes and cutouts, see page 352. Consult the factory for your special requirements.

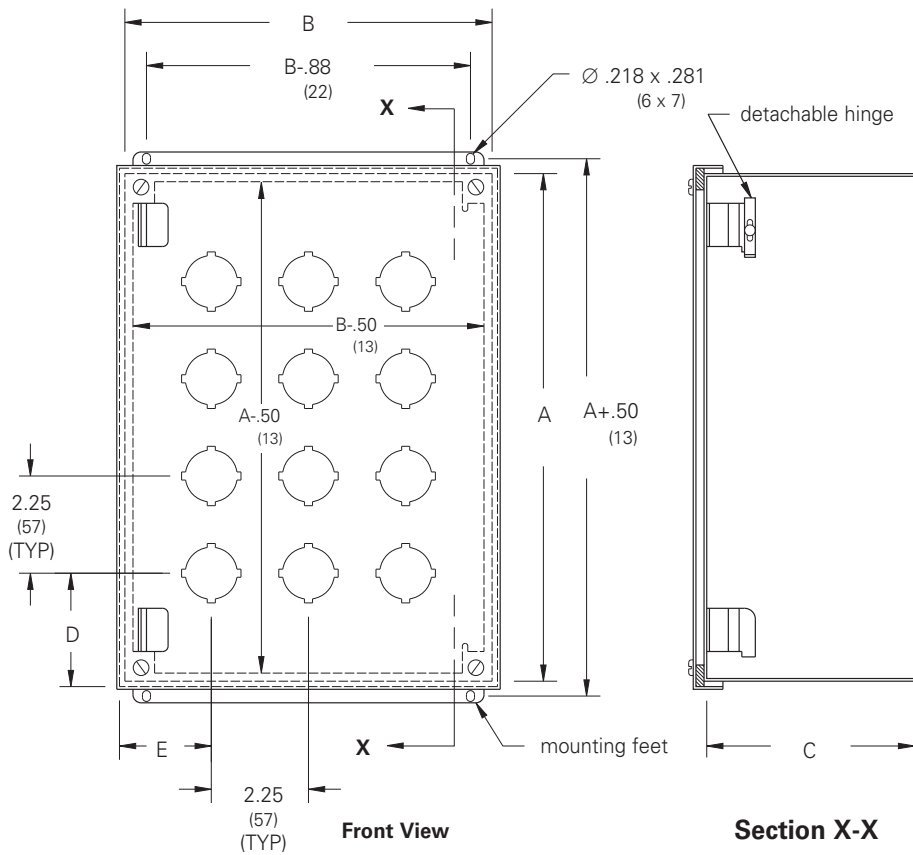
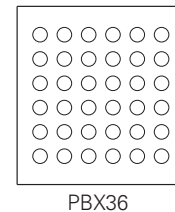
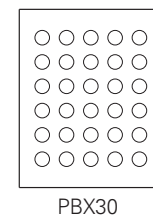
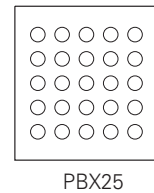
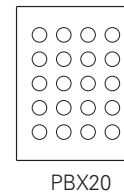
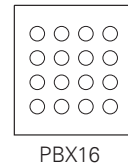
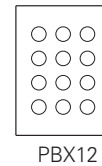
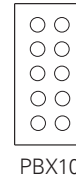
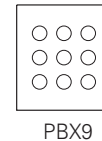
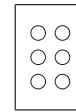
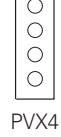
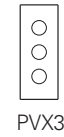
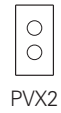
Pushbutton Enclosures Type 12 & Type 4X Extra-Deep - 30.5 mm Illustration Sheet and Catalog Number

Enclosure		Holes	Enclosure Size		D		E	
Catalog Number	Type 304 Stainless		Height x Width x Depth		in.		mm	
Steel			A x B x C	in.	mm	in.	mm	in.
PVX1††	PVX1SS††	1	4.00 x 4.00 x 4.75	102 x 102 x 121	2.12	54	1.75	44
PVX2††	PVX2SS††	2	6.00 x 4.00 x 4.75	152 x 102 x 121	2.12	54	1.75	44
PVX3*	PVX3SS*	3	8.00 x 4.00 x 4.75	203 x 102 x 121	2.12	54	1.75	44
PVX4*	PVX4SS*	4	10.00 x 4.00 x 4.75	254 x 102 x 121	1.87	47	1.75	44
PBX4	-	4	7.25 x 6.25 x 4.75	184 x 159 x 121	2.62	67	2.12	54
PBX6	-	6	9.50 x 6.25 x 4.75	241 x 159 x 121	2.62	67	2.12	54
PBX9	-	9	9.50 x 8.50 x 4.75	241 x 216 x 121	2.62	67	2.12	54
PBX10	-	10	14.00 x 6.25 x 4.75	356 x 159 x 121	2.62	67	2.12	54
PBX12	-	12	11.75 x 8.50 x 4.75	298 x 216 x 121	2.62	67	2.12	54
PBX16	-	16	11.75 x 10.75 x 4.75	298 x 273 x 121	2.62	67	2.12	54
PBX20	-	20	14.00 x 10.75 x 4.75	356 x 273 x 121	2.62	67	2.12	54
PBX25	-	25	14.00 x 13.00 x 4.75	356 x 330 x 121	2.62	67	2.12	54
PBX30	-	30	16.25 x 13.00 x 4.75	413 x 330 x 121	2.62	67	2.12	54
PBX36	-	36	16.25 x 15.25 x 4.75	413 x 387 x 121	2.62	67	2.12	54

* Enclosures are not hinged.

† PVX1 and PVX2 enclosures are fabricated from (16) gauge steel or stainless steel.

Operator Enclosures



Cover Hole Layout

Notes: Dimensions are in inches. Millimeters shown are for reference only. Data subject to change without notice.

Operator Enclosures

Pushbutton Enclosures Type 12 Miniature - 22.5 mm Data and Illustration Sheet



Application

- Designed to mount miniature 22.5 mm oil-tight pushbuttons, pilot lights and switches
- Protects against circulating dust, falling dirt and dripping non-corrosive liquids

Standards

- UL 508A listed, Type 12 and Type 13
- CSA C22.2 No.94 certified, Type 12 and Type 13
- Conforms to NEMA standard for Type 12 and Type 13

Finish

- Wash and phosphate undercoat
- ANSI 61 gray polyester powder finish

Accessories

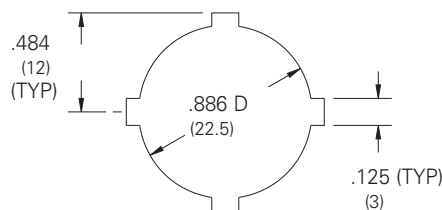
- Hole seals
- Columns and bases
- Touch-up paint
- See accessories section

Construction

- Enclosure and cover are fabricated from (14) or (16) gauge steel
- All continuous welded seams are finished smooth
- Cover is attached with captive screws which thread into sealed well nuts
- Covers more than 2.75 inches wide have concealed, detachable hinges which allow for quick removal and can be hinged on either side
- Cover has a fixed oil-resistant gasket
- Weldnut in body of enclosure for grounding
- Cover is pre-punched with miniature 22.5 mm "4-way" pushbutton holes
- External mounting feet are provided for secure wall mounting

Discount Schedule: C2

Subclass: DP0



Miniature 4-Way

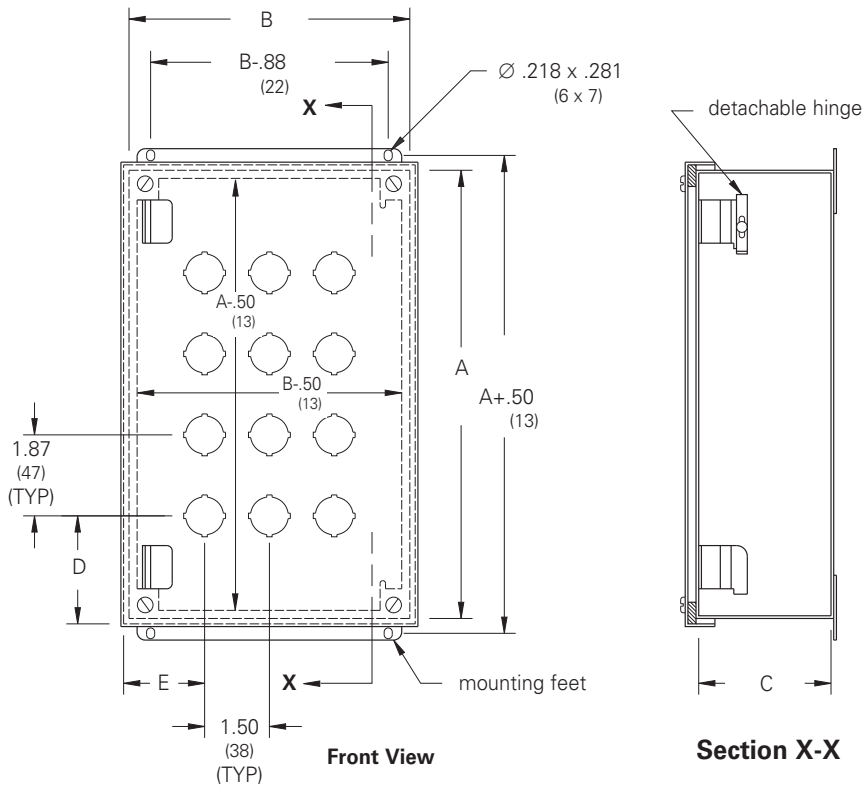
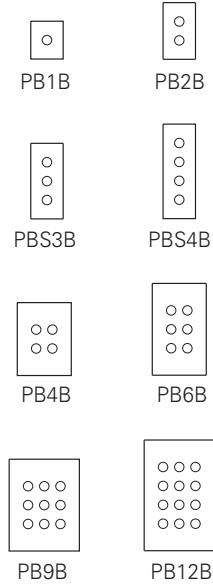
Notes: We can provide special sizes, finishes and other holes and cutouts, see page 352. Consult the factory for your special requirements.

Pushbutton Enclosures Type 12 Miniature - 22.5 mm Illustration Sheet and Catalog Number

Enclosure Catalog Number	Holes	Enclosure Size		D		E	
		Height x Width x Depth					
		A	B x C	in.	mm	in.	mm
PB1B*†	1	3.25 x 2.75 x 3.50	83 x 70 x 89	1.75	44	1.50	38
PB2B*†	2	5.12 x 2.75 x 3.50	130 x 70 x 89	1.75	44	1.50	38
PBS3B*	3	7.00 x 2.75 x 3.50	178 x 70 x 89	1.75	44	1.50	38
PBS4B*	4	8.87 x 2.75 x 3.50	225 x 70 x 89	1.75	44	1.50	38
PB4B	4	6.62 x 5.00 x 3.50	168 x 127 x 89	2.50	64	1.87	47
PB6B	6	8.50 x 5.00 x 4.25	216 x 127 x 108	2.50	64	1.87	47
PB9B	9	8.50 x 6.50 x 4.25	216 x 165 x 108	2.50	64	1.87	47
PB12B	12	10.37 x 6.50 x 4.25	263 x 165 x 108	2.50	64	1.87	47
PB16B	16	10.37 x 8.00 x 4.25	263 x 203 x 108	2.50	64	1.87	47
PB20B	20	12.25 x 8.00 x 4.25	311 x 203 x 108	2.50	64	1.87	47
PB25B	25	12.25 x 9.50 x 4.25	311 x 241 x 108	2.50	64	1.87	47
PB30B	30	14.12 x 9.50 x 4.25	359 x 241 x 108	2.50	64	1.87	47

* Enclosures are not hinged.

† PB1B and PB2B enclosures are fabricated from (16) gauge steel



**Cover Hole
Layout**

Notes: Dimensions are in inches. Millimeters shown are for reference only. Data subject to change without notice.

Operator Enclosures

Pushbutton Enclosures Type 12 Hinge Cover - 30.5 mm With Panel Data and Illustration Sheet



Application

- Designed to mount standard 30.5 mm oil-tight pushbuttons, pilot lights and switches
- Protects against circulating dust, falling dirt and dripping non-corrosive liquid

Standards

- UL 508A listed, Type 12 and Type 13
- CSA C22.2 No.94 certified, Type 12 and Type 13
- Conforms to NEMA standard for Type 12 and Type 13

Finish

- Wash and phosphate undercoat
- ANSI 61 gray polyester powder finish
- Panels have white enamel finish

Accessories

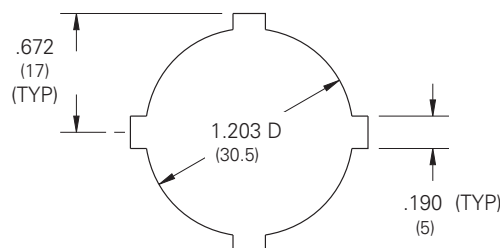
- Hole seals
- Columns and bases
- Touch-up paint
- See accessories section

Construction

- Enclosure and cover are fabricated from (14) gauge steel
- All continuous welded seams are finished smooth
- Cover is secured to the body with a continuous hinge on one side and captive screws which thread into sealed well nuts on the opposite side
- Cover has a fixed oil-resistant gasket
- Weldnut in body of enclosure for grounding
- Cover is pre-punched with standard 30.5 mm "4-way" pushbutton holes
- Heavy gauge panel mounted to weldnuts is provided with enclosure
- External mounting feet are provided for secure wall mounting

Discount Schedule: C2

Subclass: DP0

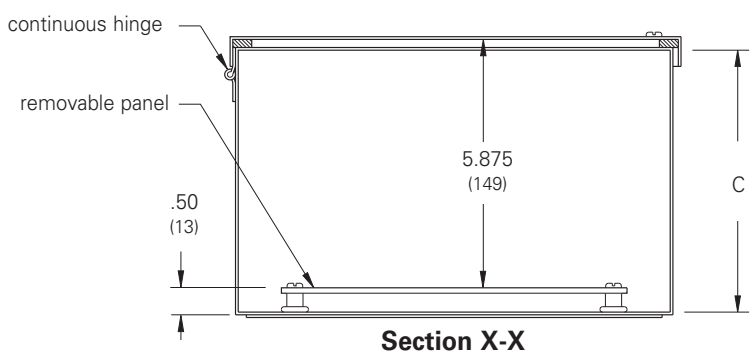
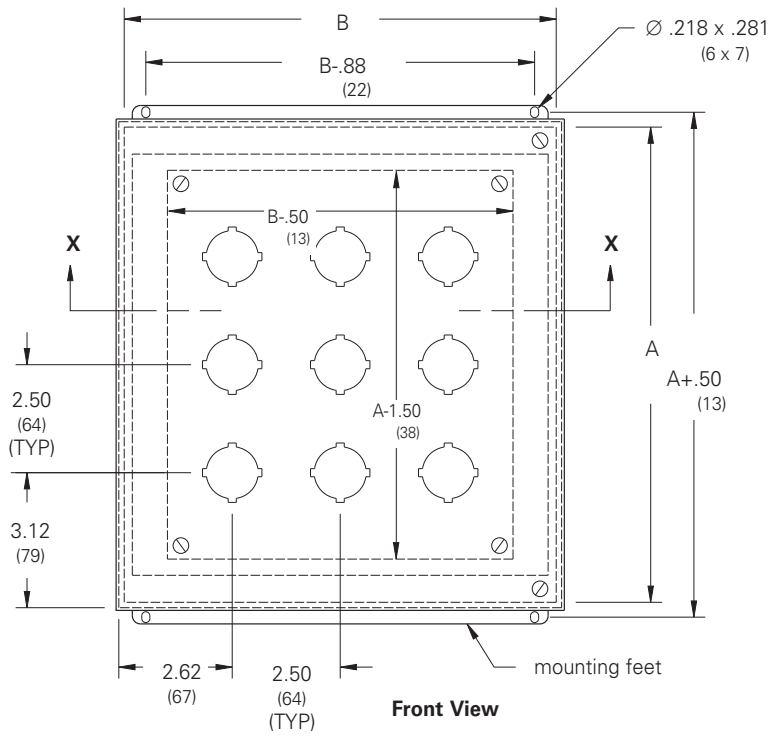
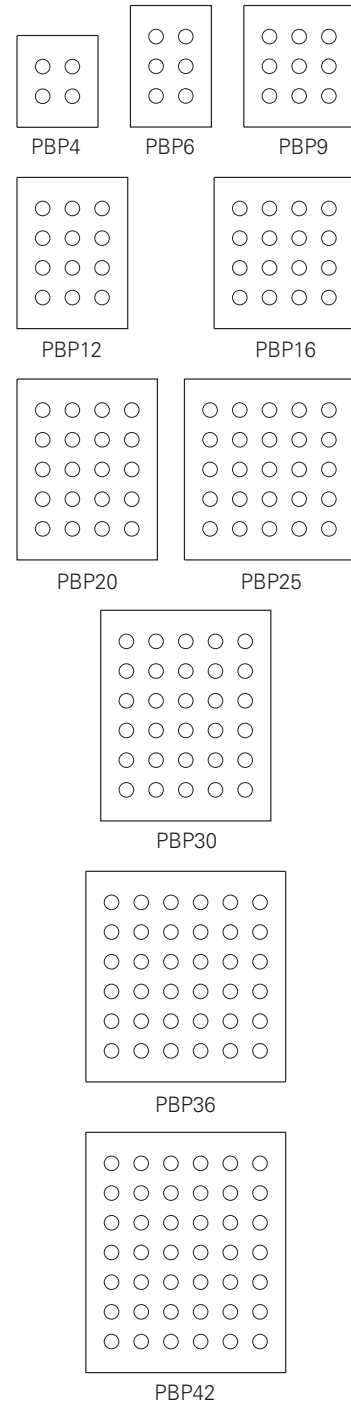


Standard 4-Way

Notes: We can provide special sizes, finishes and other holes and cutouts, see page 352. Consult the factory for your special requirements.

Pushbutton Enclosures Type 12 Hinge Cover - 30.5 mm With Panel Illustration Sheet and Catalog Number

Enclosure Catalog Number	Holes	Enclosure Size		Panel Size			
		Height x Width x Depth A x B x C		Height x Width			
		in.	mm	in.	mm	in.	mm
PBP4	4	8.50 x 7.50 x 6.00	216 x 191 x 152	6.50	35	5.50	140
PBP6	6	11.00 x 7.50 x 6.00	279 x 191 x 152	9.00	229	5.50	140
PBP9	9	11.00 x 10.00 x 6.00	279 x 254 x 152	9.00	229	8.00	203
PBP12	12	13.50 x 10.00 x 6.00	343 x 254 x 152	11.50	292	8.00	203
PBP16	16	13.50 x 12.50 x 6.00	343 x 318 x 152	11.50	292	10.50	267
PBP20	20	16.00 x 12.50 x 6.00	406 x 318 x 152	14.00	356	10.50	267
PBP25	25	16.00 x 15.00 x 6.00	406 x 381 x 152	14.00	356	13.00	330
PBP30	30	18.50 x 15.00 x 6.00	470 x 381 x 152	16.50	419	13.00	330
PBP36	36	18.50 x 17.50 x 6.00	470 x 445 x 152	16.50	419	15.50	394
PBP42	42	21.00 x 17.50 x 6.00	533 x 445 x 152	19.00	483	15.50	394



Cover Hole Layout

Notes: Dimensions are in inches. Millimeters shown are for reference only. Data subject to change without notice.

Operator Enclosures

Pushbutton Enclosures Type 12 Angle Front - 30.5 mm Data and Illustration Sheet



Application

- Designed to mount standard 30.5 mm oil-tight pushbuttons, pilot lights and switches
- Designed with angle front for mounting in either 30° or 60° positions
- Protects against circulating dust, falling dirt and dripping non-corrosive liquid

Standards

- UL 508A listed, Type 12 and Type 13
- CSA C22.2 No.94 certified, Type 12 and Type 13
- Conforms to NEMA standard for Type 12 and Type 13

Finish

- Wash and phosphate undercoat
- ANSI 61 gray polyester powder finish

Accessories

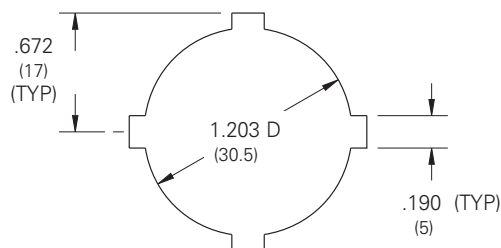
- Hole seals
- Columns and bases
- Touch-up paint
- See accessories section

Construction

- Enclosure and cover are fabricated from (14) or (16) gauge steel
- All continuous welded seams are finished smooth
- Cover is attached with captive screws which thread into sealed well nuts
- Covers more than 3.25 inches high have concealed, detachable hinges which allow for quick removal and can be hinged on either side
- Cover has a fixed oil-resistant gasket
- Weld nut in body of enclosure for grounding
- Cover is pre-punched with standard 30.5 mm "4-way" pushbutton holes
- External mounting feet are provided for secure wall mounting

Discount Schedule: C2

Subclass: DP0



Standard 4-Way

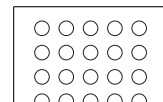
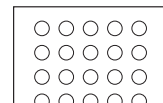
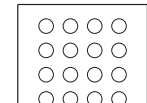
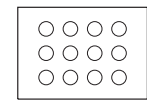
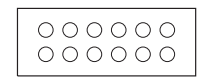
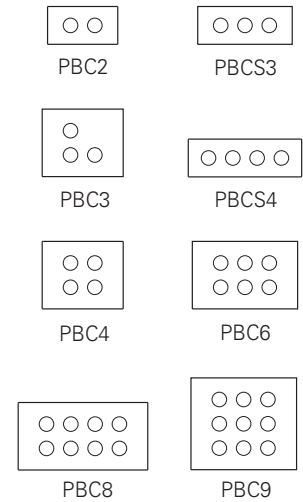
Notes: We can provide special sizes, finishes and other holes and cutouts, see page 352. Consult the factory for your special requirements.

Pushbutton Enclosures Type 12 Angle Front - 30.5 mm Illustration Sheet and Catalog Number

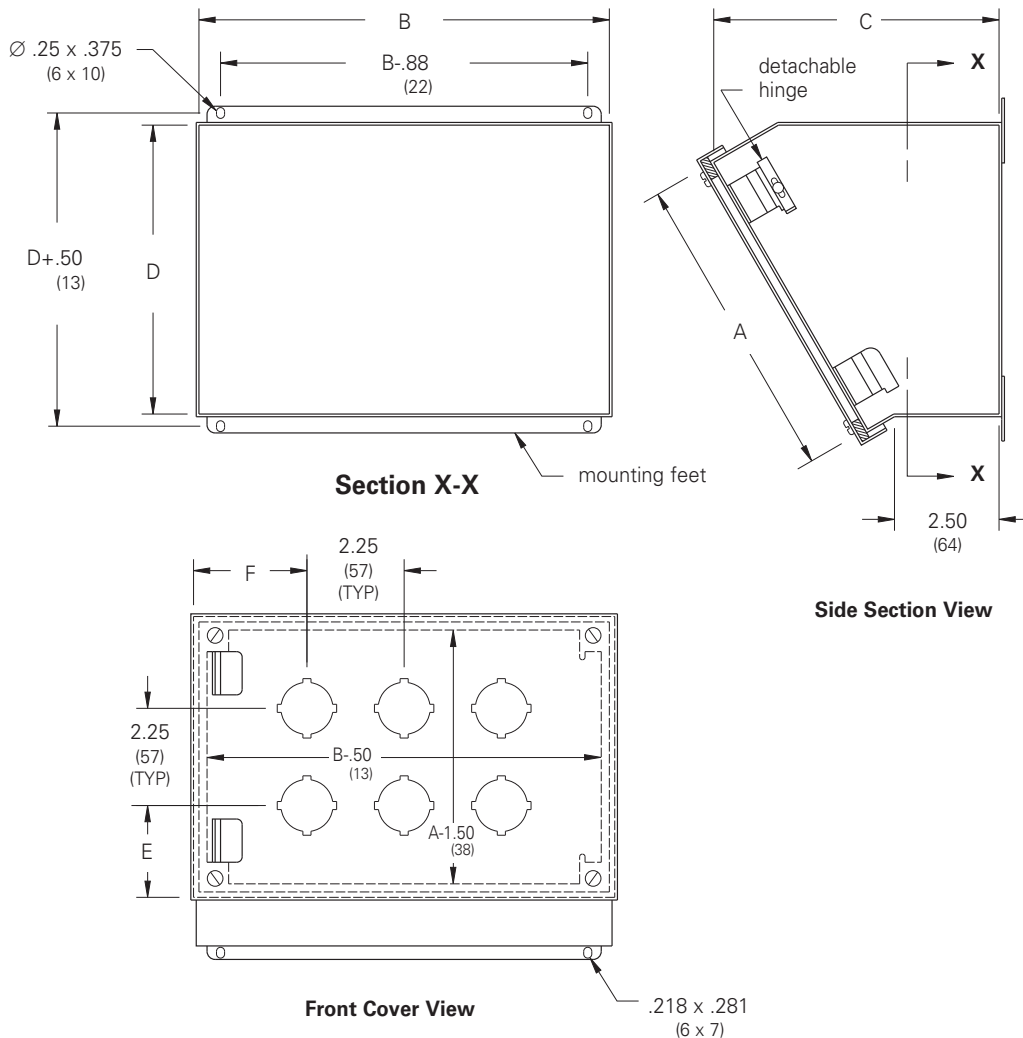
Enclosure Catalog Number	Holes	Enclosure Size Height x Width x Depth A x B x C		D		E		F	
		in.	mm	in.	mm	in.	mm	in.	mm
		PBC2*†	2	3.25 x 6.25 x 4.81	83 x 159 x 122	3.31	84	1.75	44
PBCS3*	3	3.25 x 8.50 x 4.81	83 x 216 x 122	3.31	84	1.75	44	2.12	54
PBC3	3	6.25 x 7.25 x 6.37	159 x 184 x 162	5.90	150	2.12	54	2.62	67
PBCS4*	4	3.25 x 10.25 x 4.81	83 x 260 x 122	3.31	84	1.75	44	1.87	47
PBC4	4	6.25 x 7.25 x 6.37	159 x 184 x 162	5.90	150	2.12	54	2.62	67
PBC6	6	6.25 x 9.50 x 6.37	159 x 241 x 162	5.90	150	2.12	54	2.62	67
PBC8	8	6.25 x 11.75 x 6.37	159 x 298 x 162	5.90	150	2.12	54	2.62	67
PBC9	9	9.50 x 8.50 x 7.88	241 x 216 x 200	8.84	225	2.12	54	2.62	67
PBCS12*	12	6.25 x 16.25 x 6.37	159 x 413 x 162	5.90	150	2.12	54	2.62	67
PBC12	12	8.50 x 11.75 x 7.50	216 x 298 x 191	7.84	199	2.12	54	2.62	67
PBC16	16	10.75 x 11.75 x 8.62	273 x 298 x 219	9.78	248	2.12	54	2.62	67
PBC20	20	10.75 x 14.00 x 8.62	273 x 356 x 219	9.78	248	2.12	54	2.62	67
PBC25	25	13.00 x 14.00 x 9.75	330 x 356 x 248	11.75	298	2.12	54	2.62	67

* Enclosures are not hinged.

† PBC2 enclosures are fabricated from (16) gauge steel

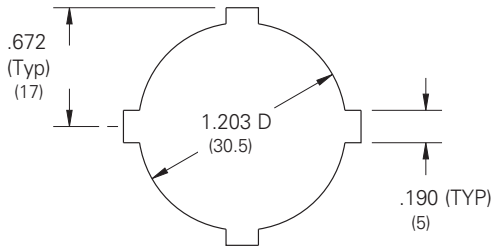


**Cover Hole
Layout**



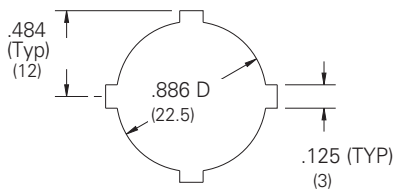
Notes: Dimensions are in inches. Millimeters shown are for reference only. Data subject to change without notice.

Pushbutton Enclosures Hole and Cutout Information Illustration Sheet



Standard 4-Way (Type S4-WAY)

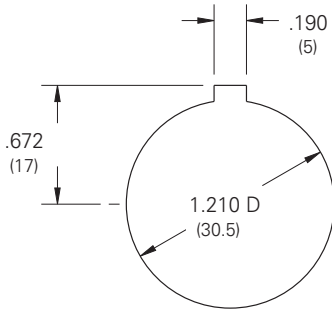
Our standard 4-way pushbutton hole will accommodate all standard size pushbutton, pilot lights and selector switches. The hole is designed to orient the device and legend plate in one of four different positions. Furnished on "PB", "PBX", "PBP", "PBC", "PBCS", "PV", "PVX", "PVS" and "P" style enclosures.



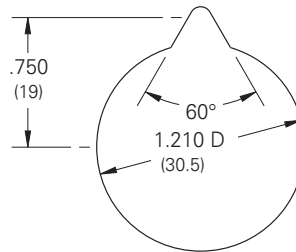
Miniature 4-Way (Type: M4-WAY)

Our miniature 4-way pushbutton hole will accommodate miniature size pushbuttons, pilot lights and selector switches. The hole is designed to orient the device and legend plate in one of four different positions. Furnished on "PB-M" and "PB-B" style enclosures.

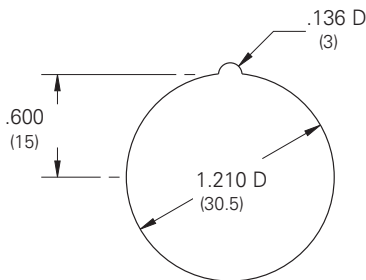
Custom Holes and Cutouts



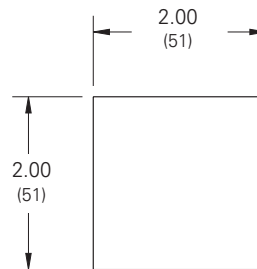
Type: C-101



Type C-102



Type: C-103



Type C-201

Notes: When specifying hole types "C-101", "C-102" and "C-103" indicate orientation of "key". Dimensions are in inches. Millimeters shown are for reference only. Data subject to change without notice.

Consolet Type 12 Data Sheet



Application

- Houses electrical controls and instruments
- Designed with angle front for mounting in either 30° or 60° position
- Protects against circulating dust, falling dirt and dripping non-corrosive liquids

Standards

- UL 508A listed, Type 12 and Type 13
- CSA C22.2 No.94 certified, Type 12 and Type 13
- Conforms to NEMA standard for Type 12 and Type 13

Finish

- Wash and phosphate undercoat
- ANSI 61 gray polyester powder finish
- Stainless steel enclosure cover and sides of body have a smooth brushed finish

Accessories

- Columns and bases
- Touch-up paint
- See Accessories section

Construction

- Enclosure and cover are fabricated from (14) gauge steel or Type 304 stainless steel
- All continuous welded seams are finished smooth
- Cover is secured to the body with a continuous hinge on one side and captive screws which thread into sealed well nuts on the opposite side
- Cover has a fixed oil-resistant gasket
- Ground stud provided on cover and body

Discount Schedule: C2

Subclass: DQ0

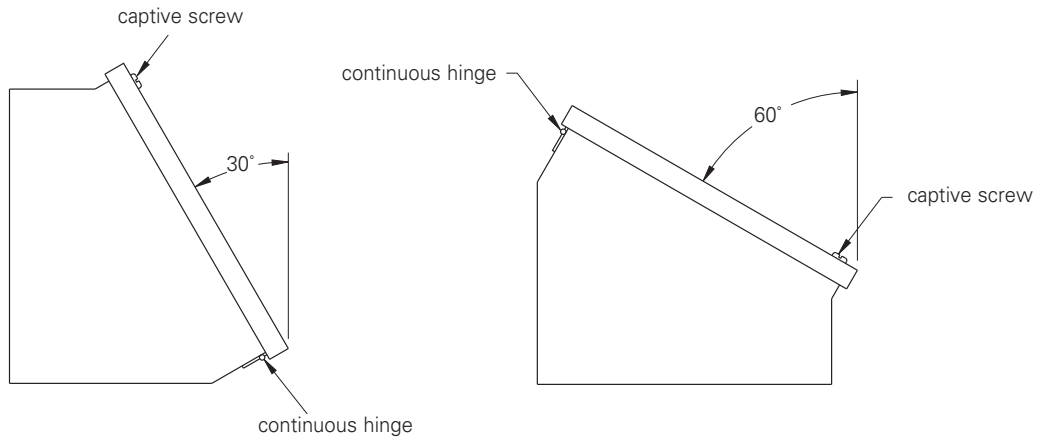
Notes: Dimensions are in inches. Millimeters shown are for reference only. Data subject to change without notice.

Operator Enclosures

Consolet Type 12

Illustration Sheet and Catalog Number

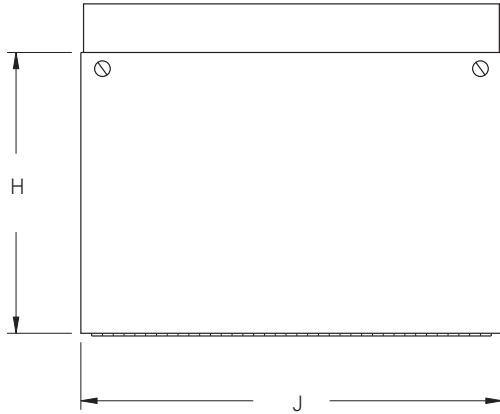
Enclosure Catalog Number		Enclosure Size Height x Width x Depth		D		E		F		G		H		J	
Type 304		A x B x C													
Steel	Stainless	in.	mm	in.	mm	in.	mm	in.	mm	in.	mm	in.	mm	in.	mm
AC-8C8	AC-8C8SS	8.00 x 8.00 x 7.12	203 x 203 x 181	5.62	143	7.50	191	6.62	168	7.37	187	8.25	210	8.25	210
AC-8C12	AC-8C12SS	8.00 x 12.00 x 7.12	203 x 305 x 181	5.62	143	7.50	191	6.62	168	11.37	289	8.25	210	12.25	311
AC-8C16	AC-8C16SS	8.00 x 16.00 x 7.12	203 x 406 x 181	5.62	143	7.50	191	6.62	168	15.37	390	8.25	210	16.25	413
AC-8C20	AC-8C20SS	8.00 x 20.00 x 7.12	203 x 508 x 181	5.62	143	7.50	191	6.62	168	19.37	492	8.25	210	20.25	514
AC-12C12	AC-12C12SS	12.00 x 12.00 x 9.12	305 x 305 x 232	7.62	194	11.00	279	10.62	270	11.37	289	12.25	311	12.25	311
AC-12C16	AC-12C16SS	12.00 x 16.00 x 9.12	305 x 406 x 232	7.62	194	11.00	279	10.62	270	15.37	390	12.25	311	16.25	413
AC-12C20	AC-12C20SS	12.00 x 20.00 x 9.12	305 x 508 x 232	7.62	194	11.00	279	10.62	270	19.37	492	12.25	311	20.25	514
AC-12C24	AC-12C24SS	12.00 x 24.00 x 9.12	305 x 610 x 232	7.62	194	11.00	279	10.62	270	23.37	594	12.25	311	24.25	616
AC-16C16	AC-16C16SS	16.00 x 16.00 x 11.12	406 x 406 x 282	9.62	244	14.50	368	14.62	371	15.37	390	16.25	413	16.25	413
AC-16C20	AC-16C20SS	16.00 x 20.00 x 11.12	406 x 508 x 282	9.62	244	14.50	368	14.62	371	19.37	492	16.25	413	20.25	514
AC-16C24	AC-16C24SS	16.00 x 24.00 x 11.12	406 x 610 x 282	9.62	244	14.50	368	14.62	371	23.37	594	16.25	413	24.25	616
AC-16C30	AC-16C30SS	16.00 x 30.00 x 11.12	406 x 762 x 282	9.62	244	14.50	368	14.62	371	29.37	746	16.25	413	30.25	768
AC-16C36	AC-16C36SS	16.00 x 36.00 x 11.12	406 x 914 x 282	9.62	244	14.50	368	14.62	371	35.37	898	16.25	413	36.25	921
AC-20C20	AC-20C20SS	20.00 x 20.00 x 13.12	508 x 508 x 333	11.62	295	18.00	457	18.62	473	18.62	473	20.25	514	20.25	514
AC-20C24	AC-20C24SS	20.00 x 24.00 x 13.12	508 x 610 x 333	11.62	295	18.00	457	18.62	473	22.62	574	20.25	514	24.25	616
AC-20C30	AC-20C30SS	20.00 x 30.00 x 13.12	508 x 762 x 333	11.62	295	18.00	457	18.62	473	28.62	727	20.25	514	30.25	768



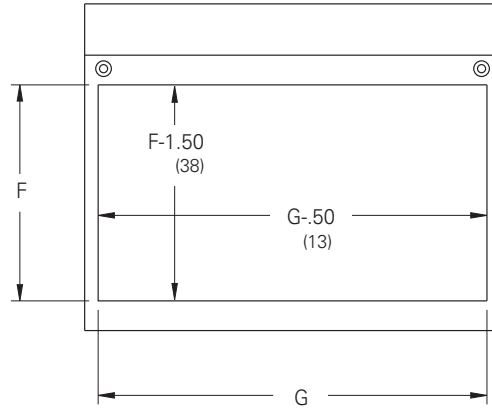
Typical Mounting Configurations
Side Views

Notes: We can provide special sizes, finishes and other holes and cutouts, see page 352. Consult the factory for your special requirements.

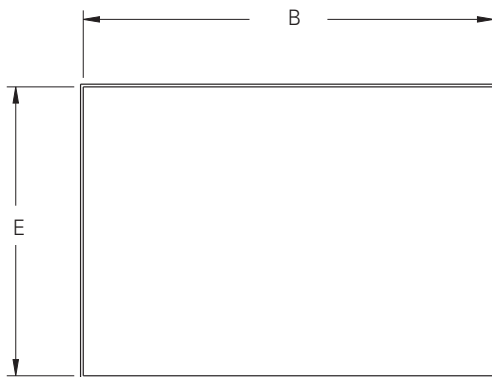
Consolet Type 12 Illustration Sheet



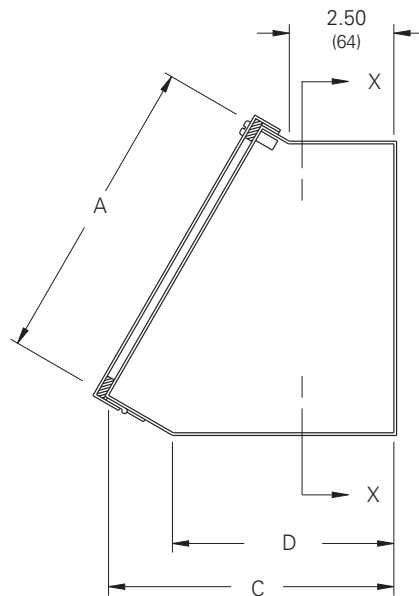
Front Cover View



Enclosure Opening View
(cover and hinge removed)



Section X-X



Side Section View

Notes: Dimensions are in inches. Millimeters shown are for reference only. Data subject to change without notice.

Operator Enclosures

Console Type 12 - AW-9

Data Sheet and Catalog Number

Operator Enclosures



Application

- Houses electrical controls and instruments
- Designed with 45° angle top surface for pushbuttons, pilot lights, switches, or other monitoring devices
- Protects against circulating dust, falling dirt and dripping non-corrosive liquids

Standards

- UL 508A listed, Type 12
- CSA C22.2 No.94 certified, Type 12
- Conforms to NEMA standard for Type 12

Construction

- Console, panel cover and door are fabricated from (14) gauge steel
- All continuous welded seams are finished smooth
- Panel cover is secured to the body with a continuous hinge along the front side and captive screws which thread into sealed well nuts on the other three sides
- Cover stops allow the panel cover to be held in the open position
- Front access door is secured to the body with a heavy-duty continuous hinge on one side and a 3-point locking handle which latches to the opposite side
- Print pocket provided
- Panel cover and front door have a fixed oil-resistant gasket
- .375-16 collar studs are provided on back and both side walls for mounting optional panel

Finish

- Wash and phosphate undercoat
- ANSI 61 gray polyester powder finish

Accessories

- Panels
- NEMA terminal strap kit
- Terminal blocks
- Caster kit
- Touch-up paint
- Replacement handle, 25228C, see page 426
- See Accessories section

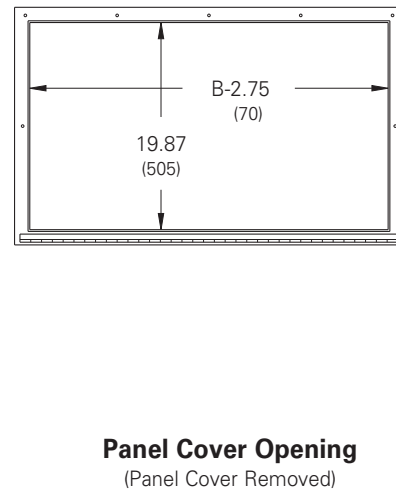
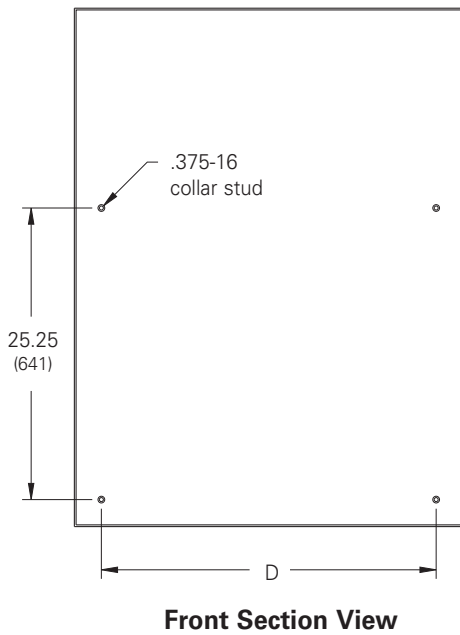
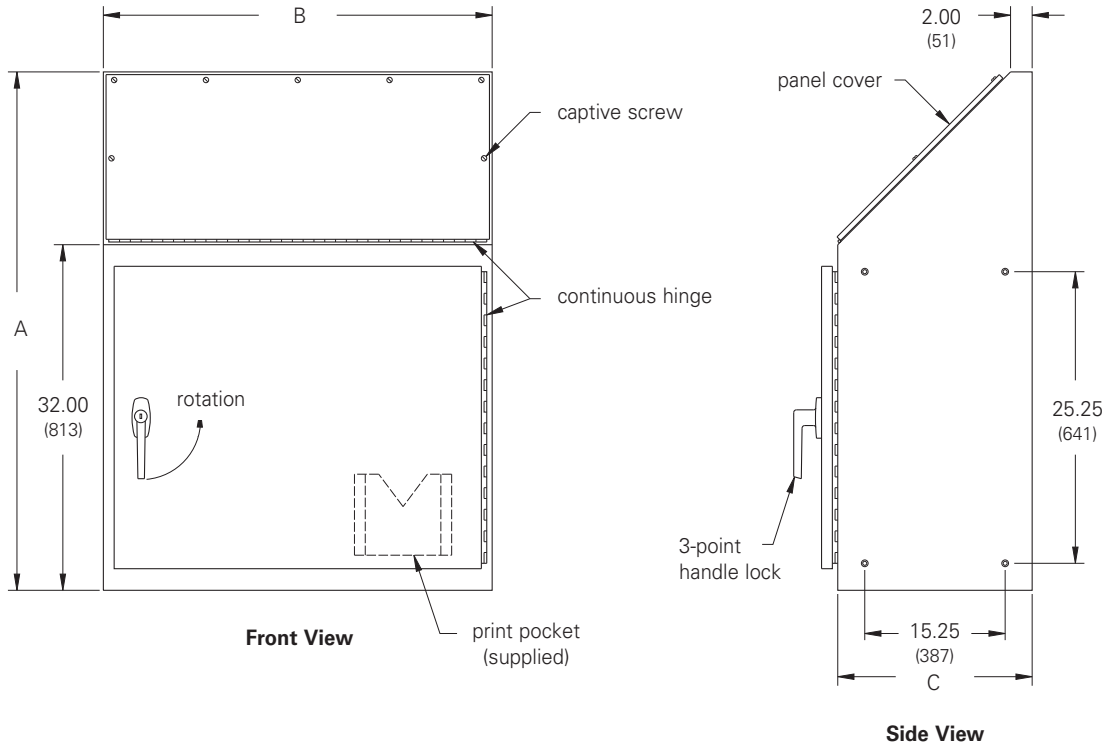
Discount Schedule: C2

Subclass: DR0

Consoles Catalog Number	Console Size Height x Width x Depth A x B x C		D		Back Panel Catalog Number	Panel Size Height x Width A x B		Side Panel Catalog Number	Panel Size Height x Width A x B	
	in.	mm	in.	mm		in.	mm		in.	mm
AC-924B	48.00 x 24.00 x 18.00	1219 x 610 x 457	15.25	387	AW3020P	26.87 x 16.87	682 x 428	AW3020P	26.87 x 16.87	682 x 428
AC-936B	48.00 x 36.00 x 18.00	1219 x 914 x 457	25.25	641	AW3030P	26.87 x 26.87	682 x 682	AW3020P	26.87 x 16.87	682 x 428

Notes: We can provide special sizes, finishes and other modifications. Consult the factory for your special requirements.

Console Type 12 - AW-9 Illustration Sheet



Notes: Dimensions are in inches. Millimeters shown are for reference only. Data subject to change without notice.

Operator Enclosures

Console

Type 12 - AW-12

Data Sheet and Catalog Number

Operator Enclosures



Application

- Houses electrical controls and instruments
- Designed with an angled top and front surface for pushbuttons, pilot lights, switches or other monitoring devices
- Protects against circulating dust, falling dirt and dripping non-corrosive liquids

Standards

- UL 508A listed, Type 12
- CSA C22.2 No.94 certified, Type 12
- Conforms to NEMA standard for Type 12

Finish

- Wash and phosphate undercoat
- ANSI 61 gray polyester powder finish
- Optional top assembly and writing desk have an ANSI 61 gray polyester powder finish
- Panels have a white enamel finish

Accessories

- Terminal blocks
- Caster kit
- Touch-up paint
- See Accessories section
- Replacement handle, 25228C, see page 426

Construction

- Console body, panel cover and door, top assembly and writing desk are fabricated from (14) gauge steel
- All continuous welded seams are finished smooth
- Panel cover is secured to the body with a continuous hinge along the front side and captive screws which thread into sealed well nuts on the other three sides
- Cover stops allow the panel cover to be held in the open position
- Consoles 36 inches wide or less have a single front access door with a heavy-duty continuous hinge on one side and 3-pt locking handle on the opposite side
- Consoles wider than 36 inches have double front access doors with heavy-duty continuous hinge and center locating 3-point locking handle which closes right side door over left
- Print pocket provided
- Panel cover, front door and top assembly covers have a fixed oil-resistant gasket
- Removable panel mounted on .375-16 collar studs is located behind the console body door
- Optional top assembly has a front-mounted instrument panel cover and rear-mounted access panel cover
- Optional writing desk is available for convenient front mounting

Discount Schedule: G2

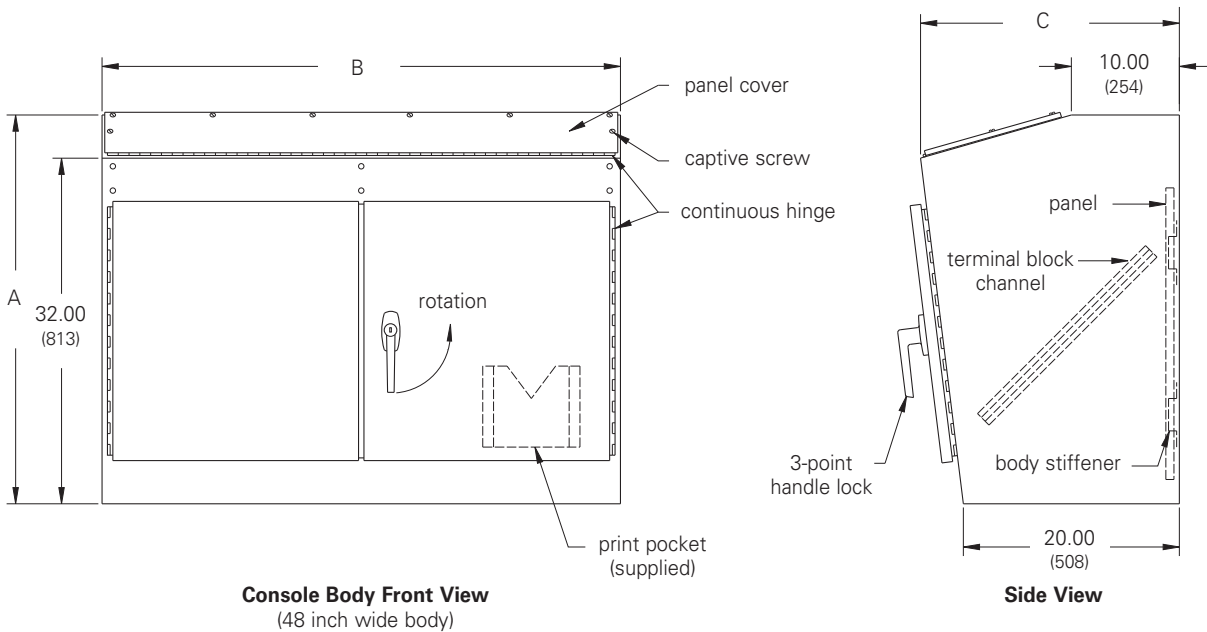
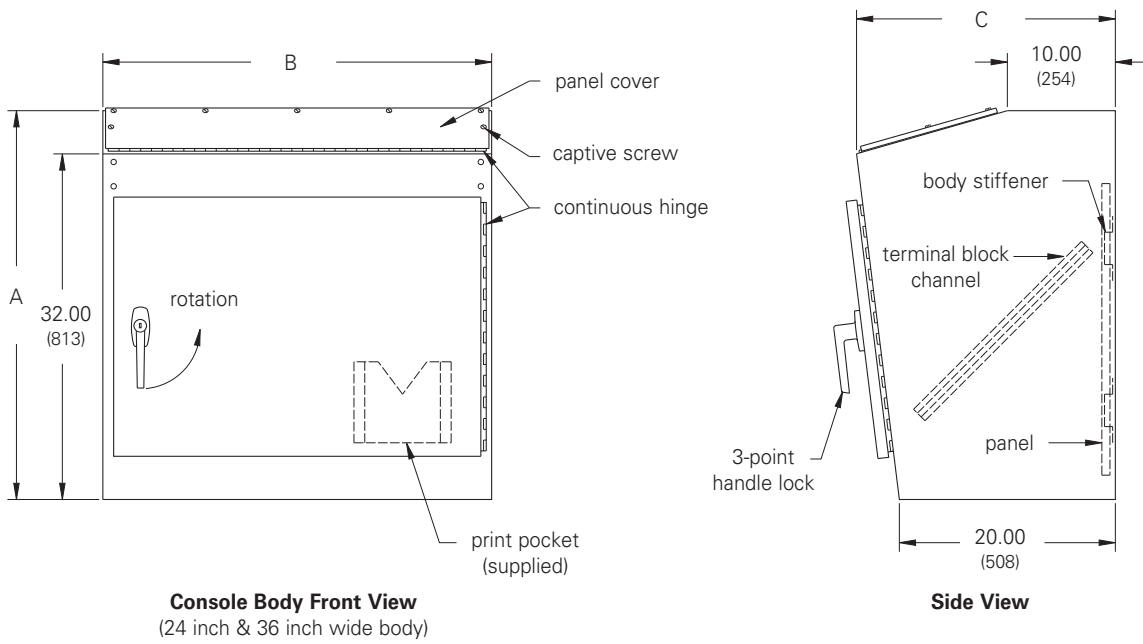
Subclass: DR0

Console Body Catalog Number	Console Body Size Height x Width x Depth A x B x C		Panel Size Optional Height x Width		Top Assembly Optional Catalog Number	Writing Desk Catalog Number
	in.	mm	in.	mm		
AC-1224B	36.00 x 24.00 x 24.00	914 x 610 x 610	26.87 x 16.87	682 x 428	AC-1224T	AC-1224W*
AC-1236B	36.00 x 36.00 x 24.00	914 x 914 x 610	26.87 x 26.87	682 x 682	AC-1236T	AC-1236W*
AC-1248B	36.00 x 48.00 x 24.00	914 x 1219 x 610	26.87 x 38.87	682 x 987	AC-1248T	AC-1248W*

* Not UL or CSA listed

Notes: We can provide special sizes, finishes and other modifications. Consult the factory for your special requirements.

Console Type 12 - AW-12 Illustration Sheet

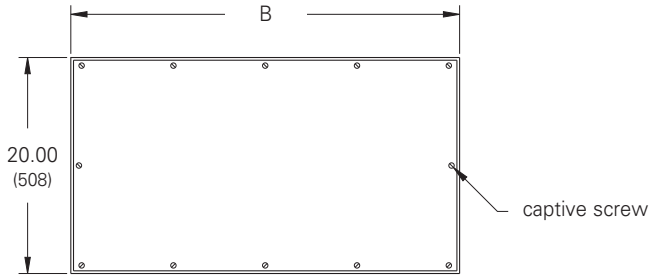


Notes: Dimensions are in inches. Millimeters shown are for reference only. Data subject to change without notice.

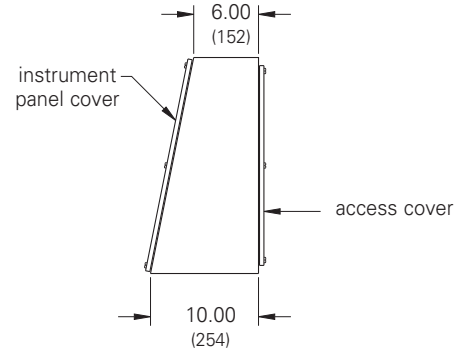
Operator Enclosures

Console Type 12 - AW-12 Illustration Sheet

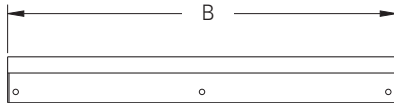
Operator Enclosures



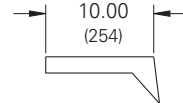
**Top Assembly
Front View**



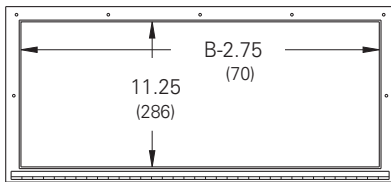
Side View



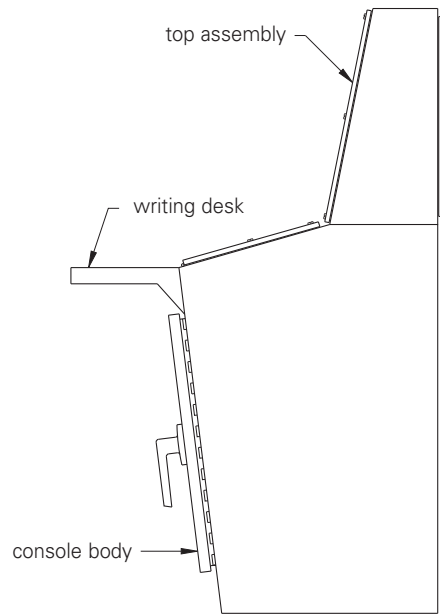
**Writing Desk
Front View**
(*not UL or CSA listed)



Side View



Panel Cover Opening
(panel cover removed)



Typical Assembly

Notes: Dimensions are in inches. Millimeters shown are for reference only. Data subject to change without notice.

Console Type 12 - AW-14 Data Sheet



Application

- Houses electrical controls and instruments
- Designed with a 60° angle top surface for pushbuttons, pilot lights, switches or other monitoring devices
- Protects against circulating dust, falling dirt and dripping non-corrosive liquids

Standards

- UL 508A listed, Type 12
- CSA C22.2 No.94 certified, Type 12
- Conforms to NEMA standard for Type 12

Construction

- Console body, panel cover and door, top assembly and writing desk are fabricated from (14) gauge steel
- All continuous welded seams are finished smooth
- Panel cover is secured to the body with a continuous hinge along the front side and captive screws which thread into sealed well nuts on the other three sides
- Cover stops allow the panel cover to be held in the open position
- Consoles 36 inches wide or less have a single front and rear access door with a heavy-duty continuous hinge on one side and a 3-point locking handle on the opposite side
- Consoles wider than 36 inches have double front and rear access doors with a heavy-duty continuous hinge and a center locating 3-point locking handle which closes right side door over left
- Mounting channels are welded inside for locating optional panel along console depth
- Front door has a print pocket
- Panel cover, front door and top assembly covers have fixed oil-resistant gaskets
- Optional top assembly has front mounted instrument panel cover(s) and rear mounted access panel cover(s)
- An optional writing desk is available with convenient front mounting

Finish

- Wash and phosphate undercoat
- ANSI 61 gray polyester powder finish
- Optional top assembly and writing desk have an ANSI 61 gray polyester powder finish

Accessories

- NEMA terminal strap kit
- Terminal blocks
- Swing panels
- Full and half panels
- Channel mounting hardware
- Caster kit
- Touch-up paint
- Replacement handle, 25228C, see page 426
- See Accessories section

Discount Schedule: C2

Subclass: DR0

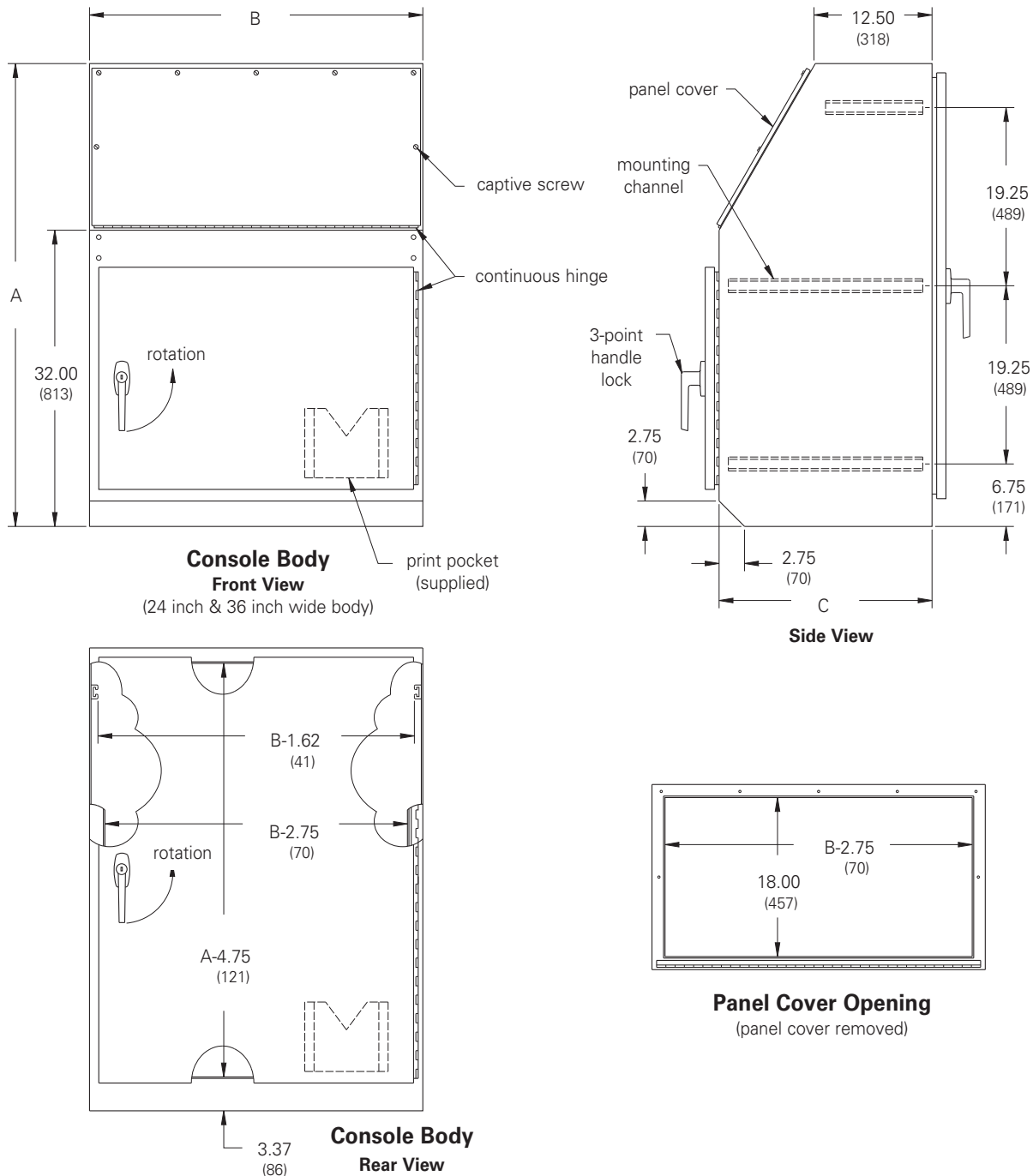
Notes: We can provide special sizes, finishes and other modifications. Consult the factory for your special requirements

Operator Enclosures

Console Type 12 - AW-14 Illustration Sheet and Catalog Number

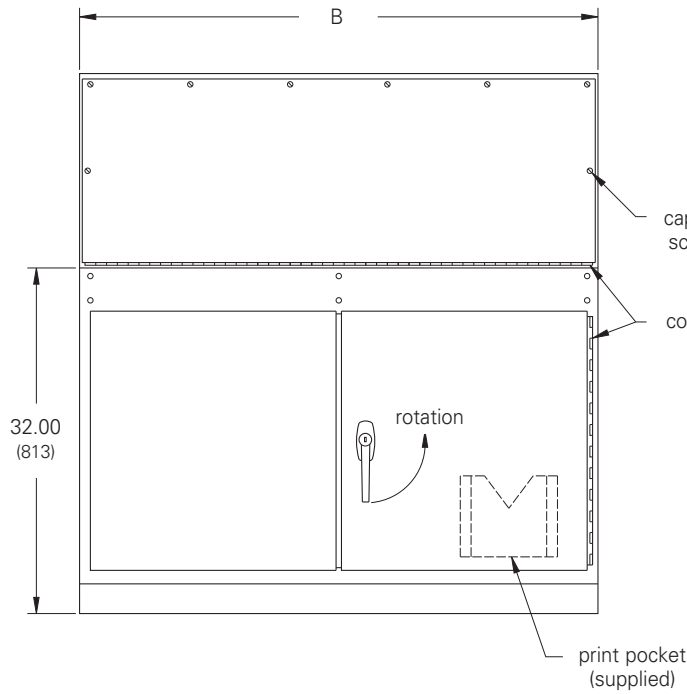
Console Body	Console Body Size Height x Width x Depth A x B x C		Top Assembly Optional	Writing Desk Optional
Catalog Number	in.	mm	Catalog Number	Catalog Number
AC-1424B	50.00 x 24.00 x 23.00	1270 x 610 x 584	AC-1424T	AC-1424W*
AC-1436B	50.00 x 36.00 x 23.00	1270 x 914 x 584	AC-1436T	AC-1436W*
AC-1448B	50.00 x 48.00 x 23.00	1270 x 1219 x 584	AC-1448T	AC-1448W*
AC-1460B	50.00 x 60.00 x 23.00	1270 x 1524 x 584	AC-1460T	AC-1460W*
AC-1472B	50.00 x 72.00 x 23.00	1270 x 1829 x 584	AC-1472T	AC-1472W*

* Not UL or CSA listed

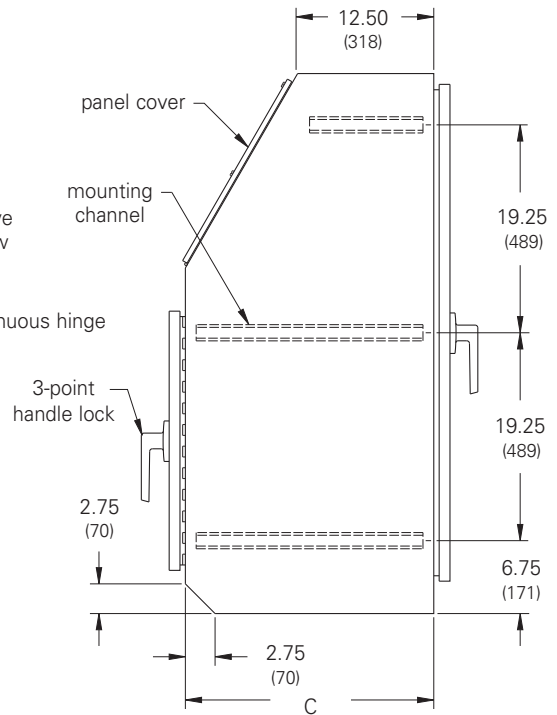


Notes: Dimensions are in inches. Millimeters shown are for reference only. Data subject to change without notice.

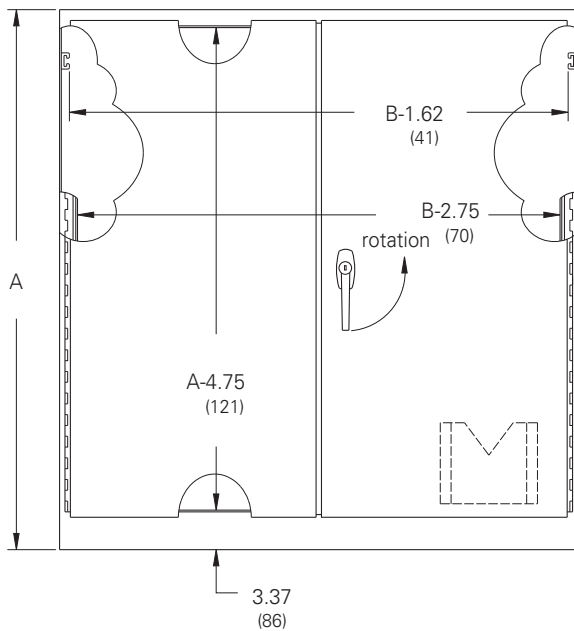
Console Type 12 - AW-14 Illustration Sheet



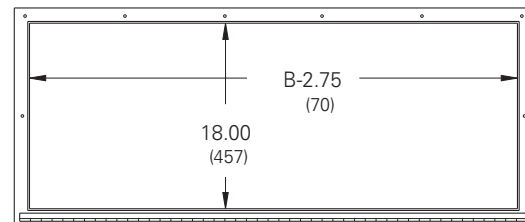
Console Body
Front View
(48 inch wide body)



Side View



Console Body
Rear View



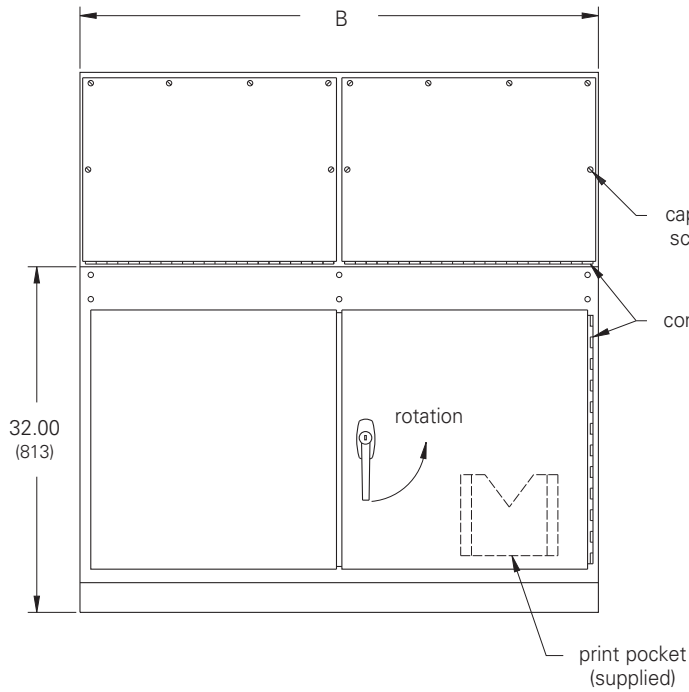
Panel Cover Opening
(panel cover removed)

Notes: Dimensions are in inches. Millimeters shown are for reference only. Data subject to change without notice.

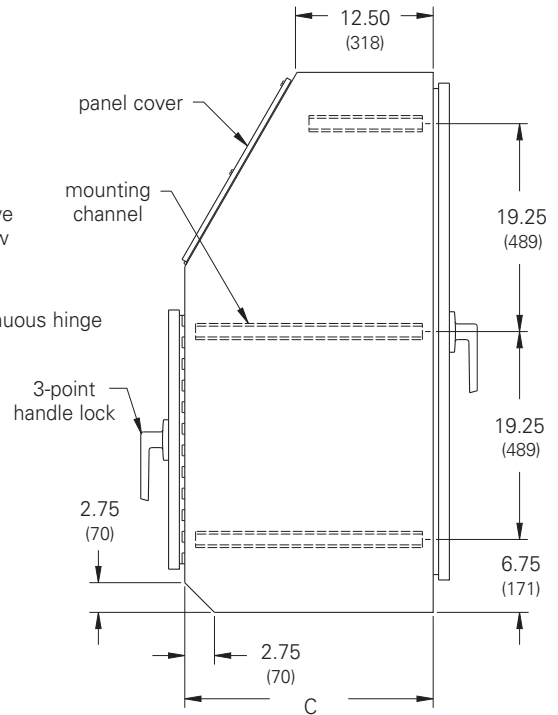
Operator Enclosures

Console Type 12 - AW-14 Illustration Sheet

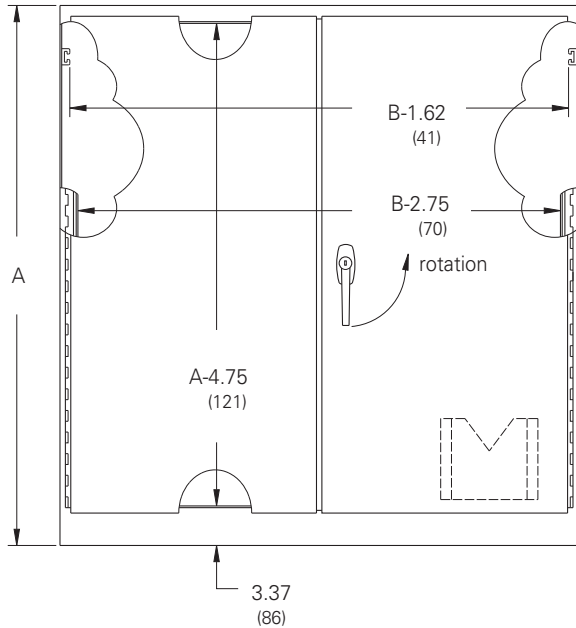
Operator Enclosures



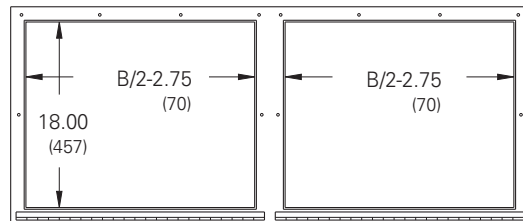
Console Body Front View
(60 inch & 70 inch wide body)



Side View



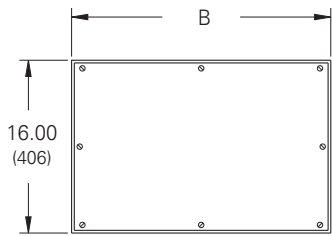
Console Body Rear View



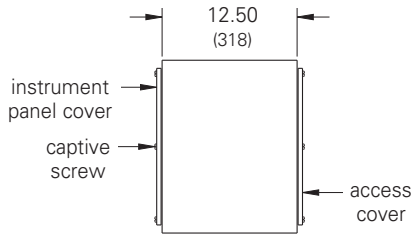
Panel Cover Opening
(panel cover removed)

Notes: Dimensions are in inches. Millimeters shown are for reference only. Data subject to change without notice.

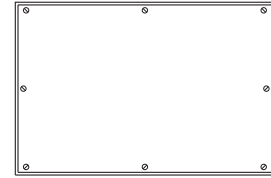
Console Type 12 - AW-14 Illustration Sheet



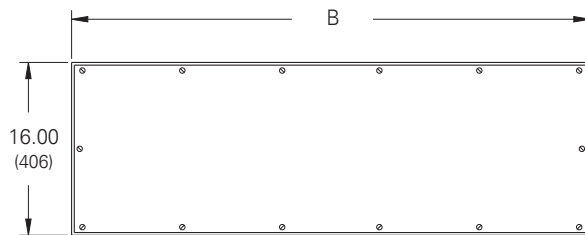
Top Assy Front View
(24 inch (610 mm) & 36 inch (914 mm) wide body)



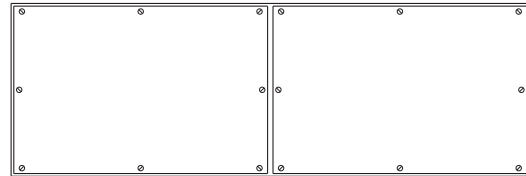
Side View
(typical all top assy)



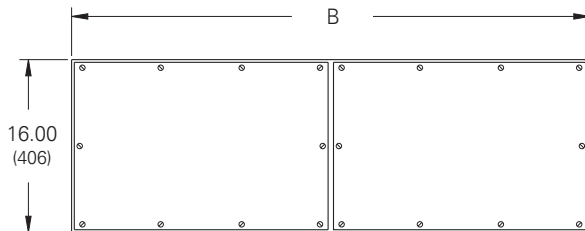
Top Assy Rear View
(24 inch (610 mm) & 36 inch (914 mm) wide body)



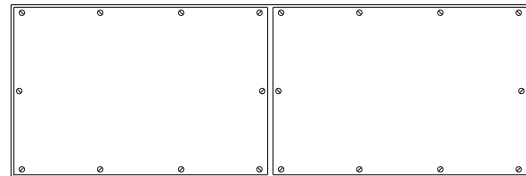
Top Assy Front View
(48 inch (1219 mm) wide body)



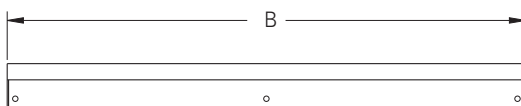
Top Assy Rear View
(48 inch (1219 mm) wide body)



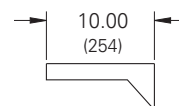
Top Assy Front View
(60 inch (1524 mm) & 72 inch (1829 mm) wide body)



Top Assy Rear View
(60 inch (1524 mm) & 72 inch (1829 mm) wide body)



Writing Desk Front View
(* not UL or CSA listed)



Side View

Notes: Dimensions are in inches. Millimeters shown are for reference only. Data subject to change without notice.

Operator Enclosures

Console Accessories

Type 12 - AW-14

Full and Half Panel

Illustration Sheet and Catalog Number

Discount Schedule: C2

Subclass: DRO

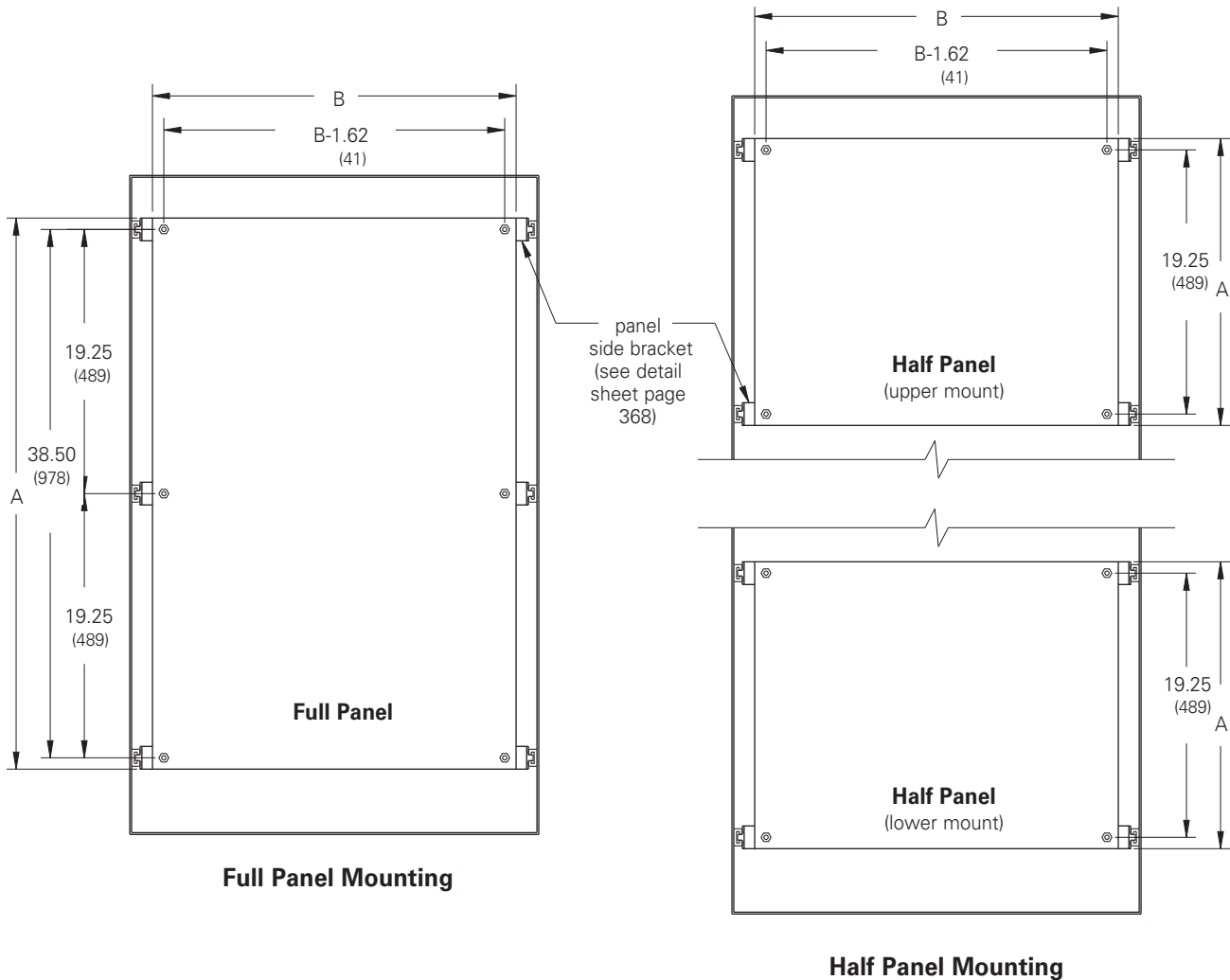
Full Panel

Panel	Panel Size		Fits Console Body
	Height x Width A x B		
Catalog Number	in.	mm	Catalog Number
AC-1424P	40.12 x 19.87	1019 x 505	AC-1424B
AC-1436P	40.12 x 31.87	1019 x 809	AC-1436B
AC-1448P	40.12 x 43.87	1019 x 1114	AC-1448B
AC-1460P	40.12 x 55.87	1019 x 1419	AC-1460B
AC-1472P	40.12 x 67.87	1019 x 1724	AC-1472B

Half Panel

Panel	Panel Size		Fits Console Body
	Height x Width A x B		
Catalog Number	in.	mm	Catalog Number
AC-1424HP	20.87 x 19.87	530 x 505	AC-1424B
AC-1436HP	20.87 x 31.87	530 x 809	AC-1436B
AC-1448HP	20.87 x 43.87	530 x 1114	AC-1448B
AC-1460HP	20.87 x 55.87	530 x 1419	AC-1460B

Operator Enclosures



Full panel and half panel for consoles are (12) gauge steel and furnished with panel brackets and all hardware necessary for channel and panel mounting. Half panels can be mounted in either the upper or lower portion of the console. Console body design permits the panel to adjust along the depth of the enclosure. Full panel and half panel can be mounted back-to-back.

Notes: Dimensions are in inches. Millimeters shown are for reference only. Data subject to change without notice.

Console Accessories Type 12 - AW-14 Swing Panel and Terminal Strap Kit Illustration Sheet and Catalog Number

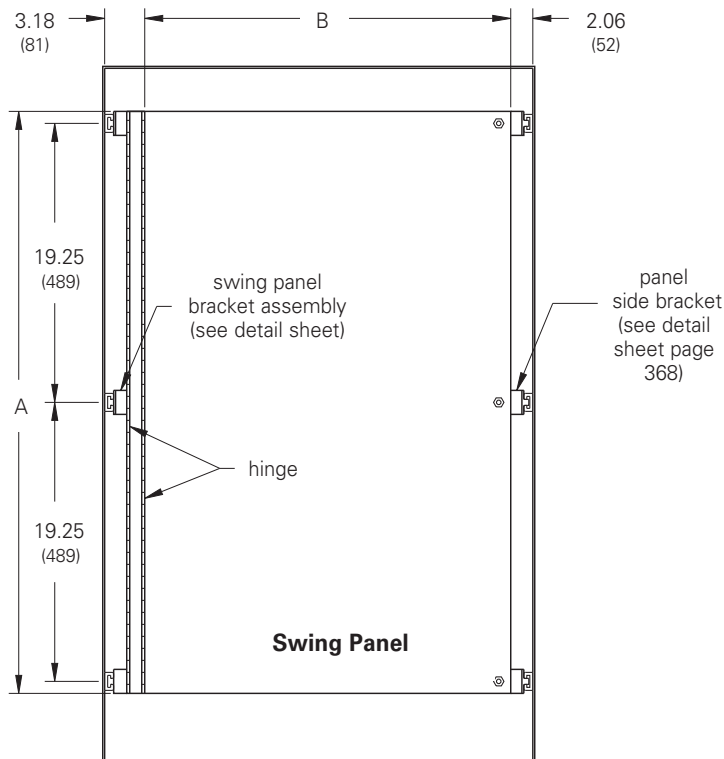
Discount Schedule: C2
Subclass: DR0

Swing Panel

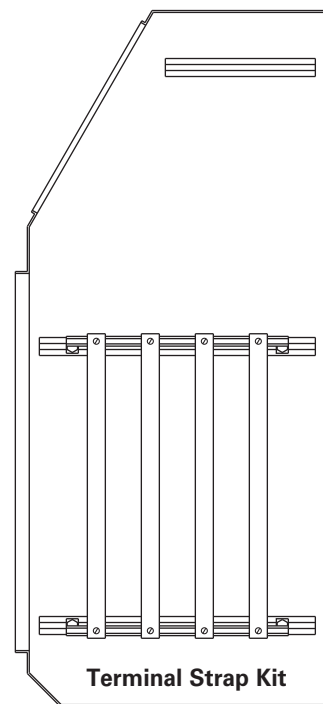
Panel	Panel Size Height x Width A x B		Fits Console Body
Catalog Number	in.	mm	Catalog Number
AC-1424SWP	40.12 x 18.75	1019 x 476	AC-1424B
AC-1436SWP	40.12 x 30.75	1019 x 781	AC-1436B

Terminal Strap Kit

Panel	Quantity	Fits Console Body
Catalog Number	of Straps	Catalog Number
24TS20	4	All AW-14 Series
24TS24	5	All AW-14 Series



Swing Panel Mounting



Terminal Strap Mounting

Swing Panel Mounting

Swing Panel for Consoles are (12) gauge steel, have a dual hinge swing panel bracket and are furnished with panel brackets and all hardware necessary for channel and panel mounting. Panels can be installed such that they hinge either on the left side or right side. Console body design permits the panel to adjust along the depth of the enclosure. The dual hinge allows the inner panel to swing completely out of the rear opening when within 5.50 inches. Panel and swing panel can be mounted back-to-back.

Terminal Strap Mounting

Terminal Strap Kits assemble conveniently to the channel on either side of the console body. Channel mounting hardware should be purchased separately for installation. Full length straps are furnished with adequate space for the users' terminal blocks or terminal blocks and extra straps can be purchased separately (see detail sheet and the Accessories section).

Notes: Dimensions are in inches. Millimeters shown are for reference only. Data subject to change without notice.

Operator Enclosures

Console Accessories Type 12 - AW-14

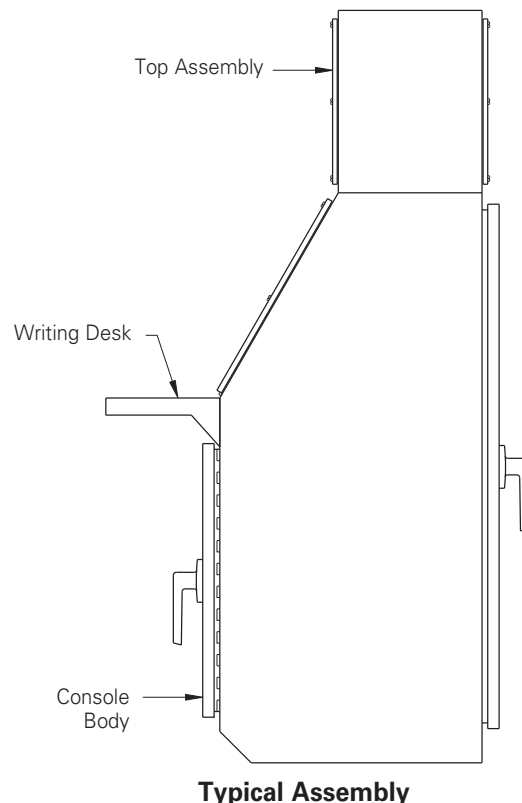
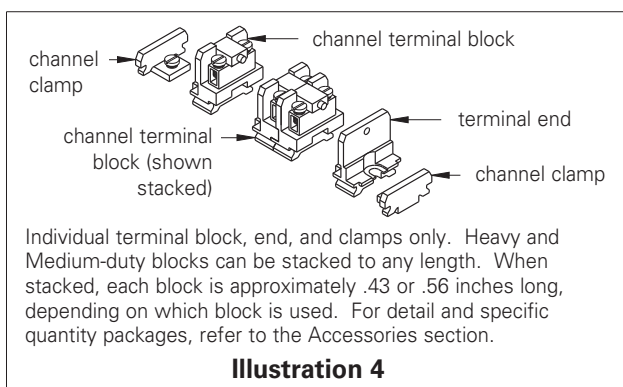
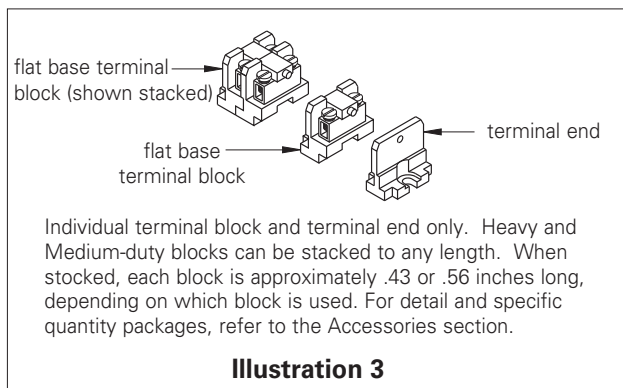
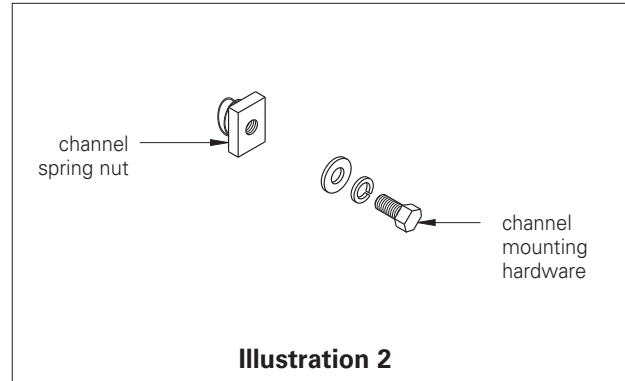
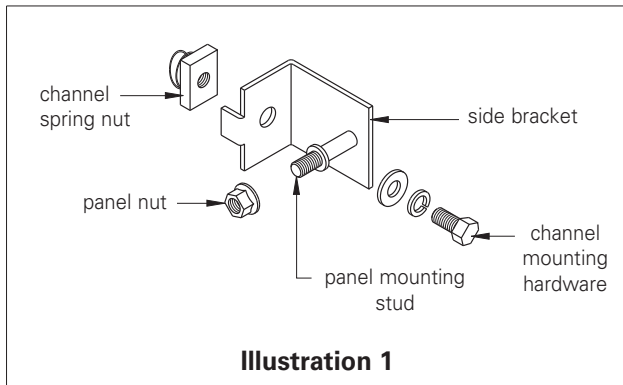
Illustration Sheet and Catalog Number

Discount Schedule: C2

Subclass: DRO

Catalog Number	Description	Fits Console Body	Illustration	Quantity
AFSBRKT1	Panel mounting bracket	AW-14 Series	1	1
AFCMH3	Channel mounting hardware	AW-14 Series	2	3
FTB3005	#18-#8 medium-duty flat base terminal block	AW-14 Series	3	1
FTE3001	Medium-duty flat base terminal block end	AW-14 Series	3	1
CTB3005	#18-#8 medium-duty channel terminal block	AW-12 Series	4	1
CTE3001	Medium-duty channel terminal block end	AW-12 Series	4	1
FT6005	#18-#4 heavy-duty flat base terminal block	AW-14 Series	3	1
FE6001	Heavy-duty flat base terminal block end	AW-14 Series	3	1
CT6005	#18-#4 heavy-duty channel terminal block	AW-12 Series	4	1
CE6001	Heavy-duty channel terminal block end	AW-12 Series	4	1
CTC2	Channel clamp	AW-12 Series	4	1
25012A	Channel Strip (72 inch)	AW-12 Series	-	1

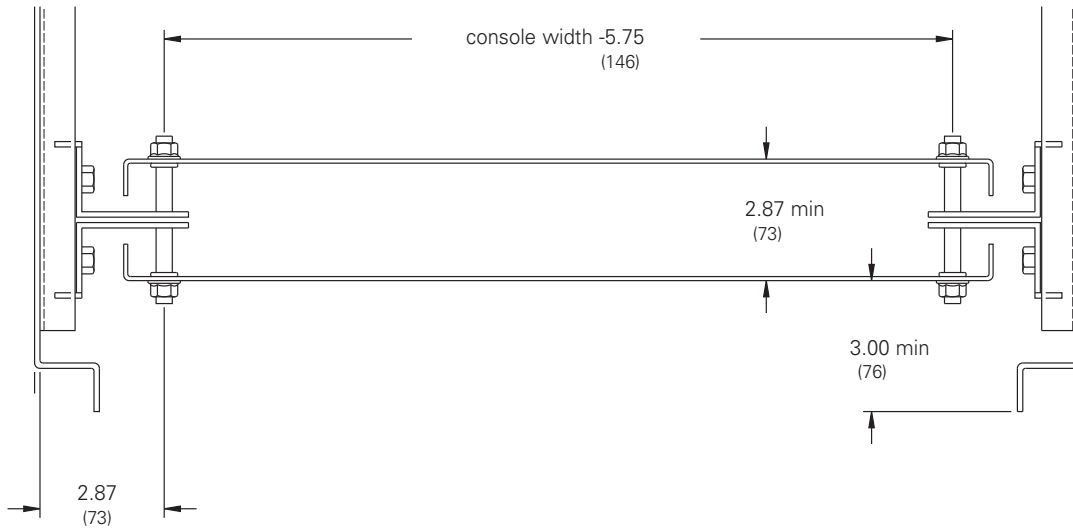
Operator Enclosures



Notes: Dimensions are in inches. Millimeters shown are for reference only. Data subject to change without notice.

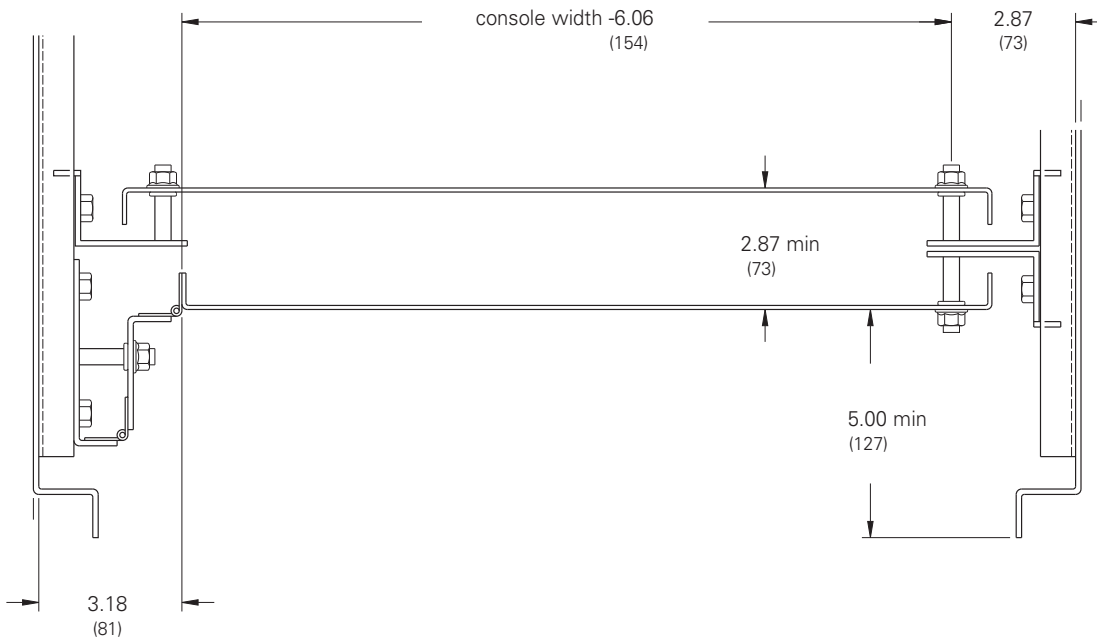
Console Details Type 12 - AW-14 Panel and Console Detail Sheet

Discount Schedule: C2
Subclass: DR0



Console Rear Access Door

(section view showing full and half panel mounted back-to-back)



Console Rear Access Door

(section view showing swing panel and half panel mounted back-to-back)

Notes: Dimensions are in inches. Millimeters shown are for reference only. Data subject to change without notice.

Operator Enclosures



Air Conditioner - General Specifications, Sizing, Selection, & Options	372-374
Air Conditioners NEMA 4 or 4X Guardian (DP15, DP21, DP33, DP47, DP50)	375-379
Air Conditioners 480 Volt NEMA 4 or 4X Guardian (DP24)	380
Air Conditioners 480 Volt NEMA 4 or 4X Guardian (DP38, DP52)	381-382
Air Conditioners NEMA 4 or 4X Slimcool Series (SP28, SP36, SP43)	383-385
Air Conditioners Top Mounted NEMA 12 Compact Series Horizontal	386
Air Conditioners Top Mounted NEMA 12 Compact Plus Series Horizontal	387
Filter Fans - NEMA 1 Box Fan	388
Filter Fans NEMA 3R Advantage Sentry Series	389
Filter Fans Filter-Grille Assemblies Advantage Sentry Series	390
Filter Fans NEMA 4 or 4X Guardian Series	391-392
Filter Fans Filter-Hood Assemblies Guardian Series	393
Filter Fans NEMA 12 Filter Fan, Grills, Replacement Filters	394-398
Heater Calculation Sheet	399
PTC Fan Heaters	400
PTC Heaters	401
Fan Heaters	402
Small Thermostats	403
Electronic Humidity and Temperature Controls	403

Climate Control Products

Enclosure Climate Control

Heat producing components currently widely used in electronic and industrial equipment enclosures present the problem of dissipating the heat generated before damage can occur to heat-sensitive parts. In many cases, the problem can be solved by ventilation, using simple air moving devices. However, in more and more applications the available ambient air is too warm or too contaminated to be used for the safe dissipation of the unwanted heat. Under those conditions, the life expectancy and performance of sensitive components may be adversely affected, often causing equipment malfunctions, slowdowns or failures.

In forced convection cooling of enclosures, cooler ambient air is drawn or forced through the components in an enclosure and discharged. When electronic/electrical enclosures are sealed to keep out moisture, dust, dirt and other contaminants, the heat generated by the components is trapped and closed-loop cooling (air conditioner or heat exchanger) is needed to maintain the optimum environment for the components.

*Our product offerings include an extensive array of units for virtually every type of application which customers can select from to address their enclosure ventilation or cooling requirement.

COOLING PRODUCT SELECTION

Our philosophy is to specify the smallest, least complex cooling device that will satisfy the requirements of the application.

Forced Ventilation Air Cooling

In clean, non-hazardous environments with acceptable ambient temperatures, a simple forced-air cooling system utilizing ambient air is usually adequate. Combined with a low-cost air filter, such devices generally meet the heat removal needs of typical electronic and electrical equipment.

Closed-Loop Cooling

In harsh environments involving high temperatures, heavy particulates, oil, or chemicals capable of damaging components, ambient air must be kept out of the enclosure. Sealed enclosures are generally used, with closed-loop cooling consisting of two separate circulation systems in a single unit. One system, sealed against the ambient air, cools and recirculates the clean cool air throughout the enclosure. The second system uses ambient air or water to remove and discharge the heat.

General Specifications for all Air Conditioners

CLOSED-LOOP COOLING: The enclosure interior airflow system is isolated from the ambient airflow system. No ambient air can invade the cool, dehumidified, sensitive component compartment.

BALL-BEARING MOTORS: All blower motors are UL/CSA Recognized and include automatic-reset thermal overload protection and double-sealed or double-shielded precision ball bearings. Special permanent lubricants perform over a broad temperature range: -20°F (-29°C) to 250°F (121°C). Tube axial fans are rated to perform at 14°F (-10°C) to 158°F (70°C) and are designed to meet UL, CSA and VDE.

BLOWERS: All centrifugal blowers are designed and built to provide optimum airflow and pressure for each air conditioner design.

RUGGED CONSTRUCTION: Precision-engineered heavy gauge steel construction of all shells and blowers ensures air conditioners will stand up under tough applications.*

BAKED POWDER FINISH: Durable, baked-on powder finish is standard. Other finishes are available.*

POWER: Units are available in 115 VAC, 230 VAC or 480 Volt.

REFRIGERANTS: CFC-free R134a Refrigerant is used in all air conditioners for which compatible compressors are available. All others contain Zero Ozone Depleting Potential (ODP) R410a Refrigerant. The model number reflects the refrigerant. A 4 between the A and C signifies R134a; a 6 signifies R410a.

FILTERS: Multi-layer grid of sturdy, corrugated aluminum in an aluminum frame. May be reused after washing off accumulations and spraying with A-16 Recoating Adhesive. Filters must be kept free of accumulations to prevent reduction or loss of performance and/or damage to equipment. Filters are not required on water-cooled models.

CONDENSATE DISPOSAL: Condensate drain fitting and hose are included. Built-in Condensate Evaporators are standard in many models. (See Series sections)

POWER CORD: All models have 3-wire power cords. 480 Volt models are supplied with an external junction box for permanent wiring as a Standard Feature. Single phase UL listed units are supplied with a plug.

INSULATION: All cold components, lines and the evaporator compartment are insulated with high-performance insulation for maximum efficiency.

GASKETING: All units are fully gasketed for tight, leakproof installation in compliance with the NEMA 12, 3R or 4/4X Enclosure Ratings.

QUALITY ASSURANCE: Refrigeration system components are kept sealed until charged with refrigerant; all brazed joints are thoroughly leak-tested; each unit is functionally tested before shipment.

INSTALLATION: Installation instructions, including mounting plan drawings, are included with each unit.

* See Guardian, Guardian 480 Volt for different specifications applicable.

Guardian Series, SlimKool Series, Compact Series, Compact Plus Series, and Advantage Series are brand names of KOOLTRONIC, Inc., Pennington, NJ

Air Conditioner Sizing and Selection

Climate Control

Cooling Electronic Control Cabinets

Most electronic control systems generate a substantial amount of heat during operation. This heat factor is intensified as electronic controls are made more compact, perform more functions and are placed in confined areas. Additional problems are encountered when the electronic process control system is located on-line in an industrial setting, rather than in a clean computer room. The factory environment can be hostile to the point that performance and effective life of the electronic components are materially reduced or the control system fails completely. Ambient temperature might be excessively high, as that found in a steel mill. Moisture-laden air and airborne particulate matter might be present to adversely affect the electronic components, as in the paper manufacturing industry. Air conditioners are designed to perform reliably under many of these harsh conditions and to provide the cooling and environmental protection required by sensitive electronic production control systems.

Factors Affecting Model Selection

This section is presented as a basic outline or checklist of the various application conditions to be considered when choosing a cooling unit. These are the factors which must be considered when selecting a cooling unit:

Internal Heat Load

This is the heat dissipated by the electronic controls. It is expressed in watts. One WATT equals 3.413 BTU/HR. Thus, to obtain the approximate cooling capacity required to remove a specific heat load, the following formula can be used: Watts x 3.413 = BTU/HR. For example, a heat load of 800 watts, require an air conditioner capable of removing at least 2,730 BTU/HR.

Resistance to Airflow in the Enclosure

Airflow is measured in cubic feet per minute (CFM). To create an air flow of any desired velocity requires that pressure be produced by the blower. Resistance to this blower-produced air flow is created by obstructions within the cabinet in the air flow path. The resistance itself is called static pressure (SP) and is measured in inches of water column. The effect of significant restrictions in the cabinet air flow path are as follows:

- the obstructions cause static pressure.
- static pressure results in a pressure drop, or differential, from the air velocity produced by the blower.
- this reduction in cool air flow will decrease the effective capacity of the cooling unit. Allowance must be made for static pressure.

Heat Load from the Surroundings

Ambient conditions can cause a heat gain in the enclosure. The rated capacity of the cooling unit must be sufficient to handle this heat gain. When evaluating the additional heat load gained from the surroundings there are two possible conditions:

- the cabinet is insulated and well sealed
- the cabinet is not insulated.

Cabinet Insulated - Normally, well-insulated cabinets do not gain sufficient heat from the surroundings to affect the air conditioner operation. BTU/HR ratings for Kooltronic air conditioners have been established at the maximum ambient operating temperature of 125°F. A substantial improvement in heat removal occurs when operating in ambient temperatures below 125°F.

Cabinet Not Insulated - Obviously, this design places more of a burden on the cooling unit. Heat is conducted to the cool side. Thus, high ambient heat will be readily transmitted into the cooler enclosure. To determine the additional capacity required of an air conditioner installed in an uninsulated cabinet, the surface area of the enclosure must be calculated to obtain the total effective heat transfer area. For this calculation, use the surface area of the sides, plus the area of the top and omit the bottom area of the cabinet.

Air movement outside the uninsulated cabinet will increase the heat conducted from the ambient into the enclosure. When there is little or no air circulation outside the cabinet, the layer of air immediately adjacent to the exterior cabinet walls acts as an insulating film. Exterior air movement dissipates this insulating layer of air in proportion to the velocity of the air flow. Substantial ambient air circulation will increase the transmitted heat load imposed on the cooling unit. If the cabinet being cooled is not air tight, high ambient relative humidity will adversely affect the cooling effectiveness of the air conditioner. When humid air infiltrates a poorly sealed enclosure, the air conditioner is required to use up valuable capacity just to condense the moisture from the internal air. Conversely, if the cabinet is well sealed, high ambient relative humidity has very little effect on the rated capacity of the air conditioner.

Climate Control Products

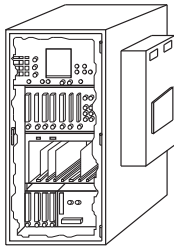
Air Conditioners Sizing & Selection Climate Control

The proper selection of an air conditioner is determined by the following criteria:

- 1) Required cooling capacity BTU/HR.
- 2) Mounting requirements (top, side or internal mounting)
- 3) Dimensions of air conditioner & enclosure

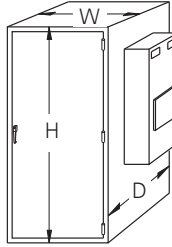
To determine air conditioner capacity required:

First



1 Watt = 3.413 BTU/HR
Determine the internal Watts of heat to be dissipated.

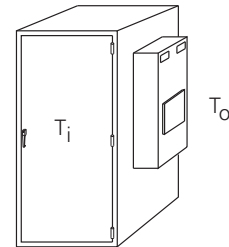
Second



1 M² = 10.76 ft²
Calculate the area of the enclosure which is exposed to the ambient air:

$$\frac{2H''(W'' + D'') + (D'' \times W'')}{144} = \text{Area (ft}^2\text{)}$$

Third



1°C Δ T = 1.8°F Δ T
Determine the temperature differential Δ T (° F) by subtracting the maximum allowable internal cabinet temperature (T_i) from the maximum ambient temperature outside of the enclosure (T_o): T_o - T_i = Δ T

Fourth: (Watts x 3.413) + [1.25 x Area ft.² x Δ T (°F)] = BTU/HR.

Air Conditioner Accessories and Options Climate Control

Factory Installed Options

Accessories & Options

- Adapter Plates
- Compressor Heater
- Condensate Evaporator Kit
- Deep Drain Pan Kit
- Enclosure Heater
- Filter Recoating Adhesive
- Internal Corrosion Protection
- Lifting Eyes
- Low Airflow Detector
- Low Ambient Kit
- Mounting Hinge
- Programmable Thermostat
- Replacement Filters
- Short Cycle Protector
- Special Motors, Line Cords, or Connectors
- Special Materials or Finishes
- Stainless or Aluminum Cabinet
- Temperature Alarm
- Weather Protection Kit

Some options may not be available on selected models.
Some options are available as standard features on selected models.

Notes: Data subject to change without notice. Consult factory for special requirements.

Guardian DP15 NEMA 4 or 4X Air Conditioners

Model	NEMA Rating	BTU/H Capacity	95/95 Rating BTU/H	Ambient Temp.				Volts	* Hz	** Running Amps	Weight	
				°F		°C					lbs	kg
				Max.	Min.	Max.	Min.					
KNA4C1DP15L	4	1160	950	131	-20	55	-29	115/100	60/50	4.3	26	12
KNA4C1DP15LV	4X	1160	950	131	-20	55	-29	115/100	60/50	4.3	26	12

* 115V 60 Hz models perform at reduced capacity when operated at 100V 50 Hz.

** Rating shown for operation at maximum ambient temperature.



Transitioning to ANSI 61 Gray finish

Standard Features

- Baked Powder Finish
- Built-in Condensate Evaporator
- CFC-Free Refrigerant
- Closed-Loop Cooling
- Compressor Short Cycle Protector
- Epoxy-Coated Condenser Coils
- Filter
- Heavy-duty Steel Shell
- Internal Corrosion Protection (NEMA 4X Models)
- Low Temperature Control Thermostat*
- NEMA 12, 3R and 4 Ratings Maintained (UL50)
- Six-Foot [1.8m] (Minimum) 3-Wire Power Cord
- Stainless Steel Shell (NEMA 4X Models)
- UL/CUL Listed

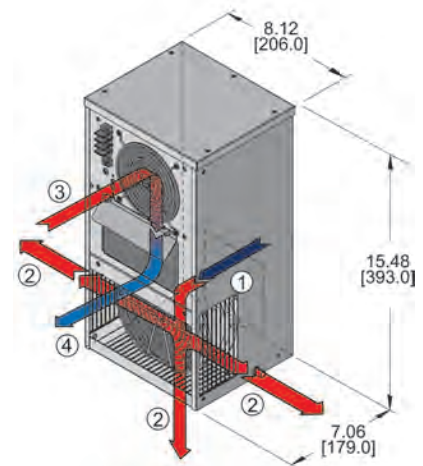
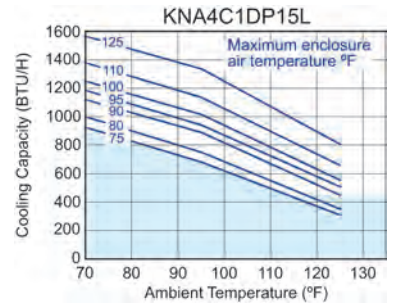
Accessories & Options

- Enclosure Heater
- Filter Recoating Adhesive
- Lead-Lag Controller
- Remote Thermostat Relay
- Replacement Filters (P/N: 525F)
- Special Motors, Line Cords or Connectors
- Special Paint Finishes
- Stainless or Aluminum Shell

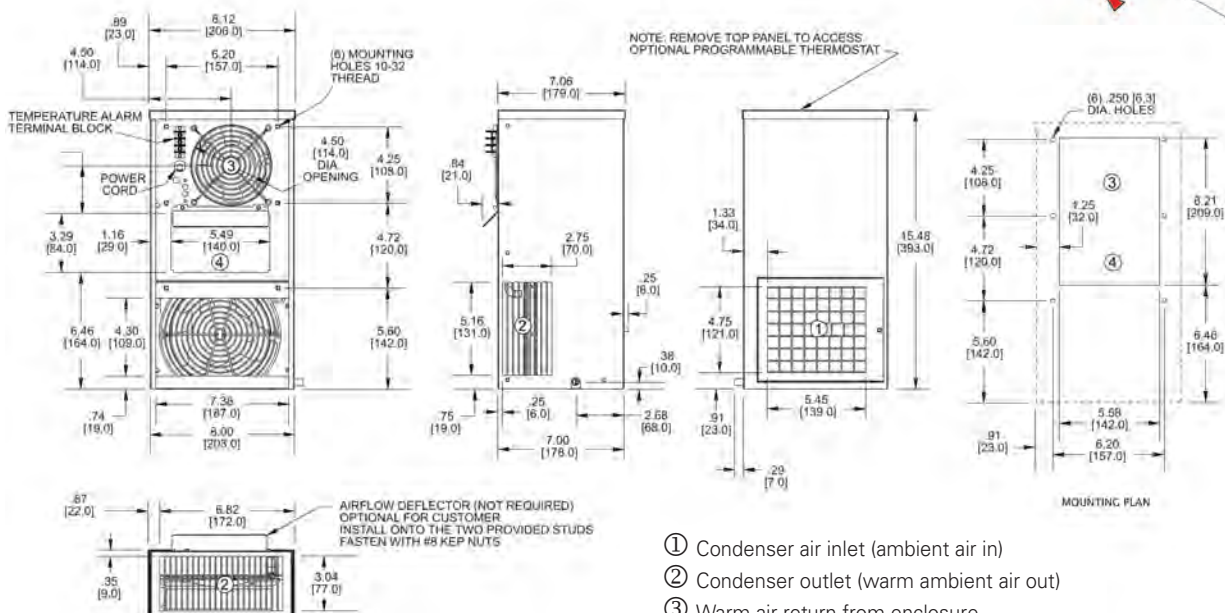


NEMA
TYPE 4 OR 4X
MAINTAINED

Performance



Drawings



- ① Condenser air inlet (ambient air in)
- ② Condenser outlet (warm ambient air out)
- ③ Warm air return from enclosure
- ④ Cool air outlet to enclosure

Notes: Data subject to change without notice.

Consult factory for special requirements. Dimensions are in inches. Millimeters shown in [] are for reference only.

Climate Control Products

Guardian DP21 NEMA 4 or 4X Air Conditioners

Model	NEMA Rating	BTU/H Capacity	95/95 Rating BTU/H	Ambient Temp.		Volts	* Hz	** Running Amps	Weight			
				°F Max.	°F Min.				°C Max.	°C Min.	lbs	kg
KNA4C3DP21L	4	3000	2470	131	-20	55	-29	115/100	60/50	6.0/5.0	54	25
KNA4C3DP21LV	4X	3000	2470	131	-20	55	-29	115/100	60/50	6.0/5.0	54	25

* 115V 60 Hz models perform at reduced capacity when operated at 100V 50 Hz.

** Rating shown for operation at maximum ambient temperature.



Transitioning to ANSI 61 Gray finish



NEMA TYPE 4 OR 4X MAINTAINED

Standard Features

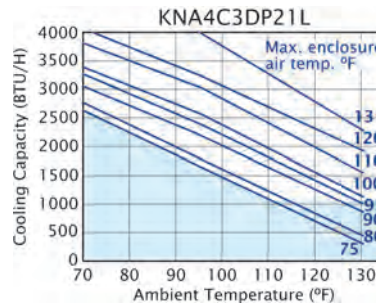
- Baked Powder Finish
- Built-in Condensate Evaporator
- CFC-Free Refrigerant
- Closed-Loop Cooling
- Compressor Short Cycle Protector
- Condenser Blower Controller
- Epoxy-Coated Condenser Coils
- Filter
- Heavy-duty Steel Shell
- Internal Corrosion Protection (NEMA 4X Models)
- Low Temperature Control Thermostat*
- NEMA 4 or 4X Rating Maintained (UL50)
- Six-Foot [1.8m] (Minimum) 3-Wire Power Cord
- Stainless Steel Shell (NEMA 4X Models)
- UL/CUL Listed

Accessories & Options

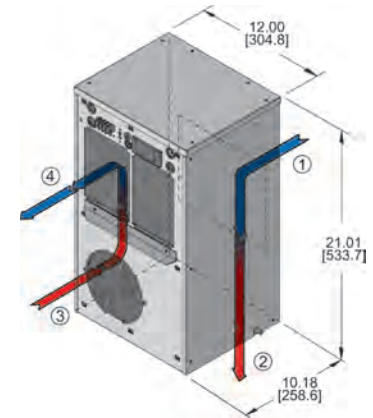
- Enclosure Heater
- Filter Recoating Adhesive
- Lead-Lag Controller
- Remote Thermostat Relay
- Replacement Filters (P/N: 8388F)
- Special Motors, Line Cords or Connectors
- Special Paint Finishes
- Stainless or Aluminum Shell

* Transitioning to programmable controls

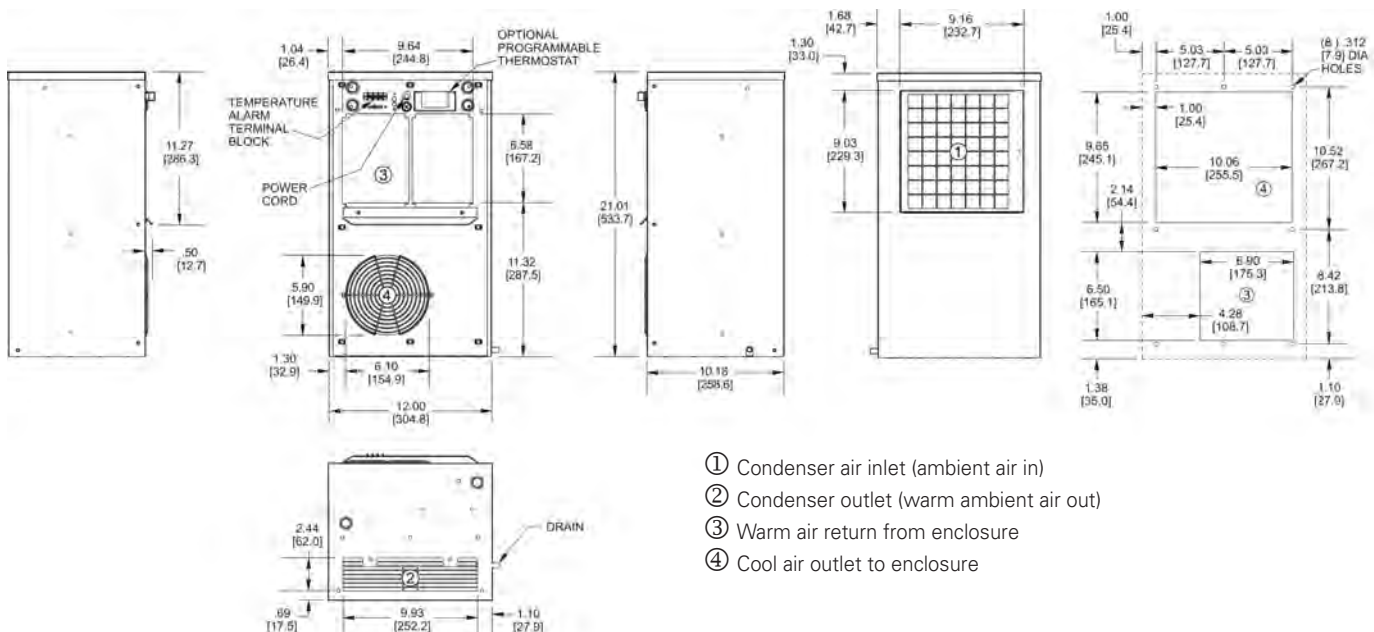
Performance



Operation within shaded area not recommended.



Drawings



- ① Condenser air inlet (ambient air in)
- ② Condenser outlet (warm ambient air out)
- ③ Warm air return from enclosure
- ④ Cool air outlet to enclosure

Notes: Data subject to change without notice.

Consult factory for special requirements. Dimensions are in inches. Millimeters shown in [] are for reference only.

Guardian DP33 NEMA 4 or 4X Air Conditioners

Model	NEMA Rating	BTU/H Capacity	95/95 Rating BTU/H	Ambient Temp.				Volts	* Hz	** Running Amps	Weight	
				Max. °F	Min. °F	Max. °C	Min. °C				lbs	kg
KNA4C5DP33L	4	5000	4000	131	-20	55	-29	115/100	60/50	10.6/10.2	95	43
KNA4C5DP33LV	4X	5000	4000	131	-20	55	-29	115/100	60/50	10.6/10.2	95	43

* 115V 60 Hz models perform at reduced capacity when operated at 100V 50 Hz.

** Rating shown for operation at maximum ambient temperature.



Transitioning to ANSI 61 Gray finish



NEMA
TYPE 4 OR 4X
MAINTAINED

Standard Features

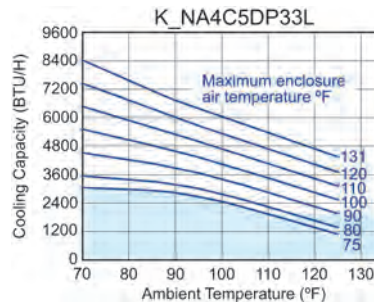
- Baked Powder Finish
- Built-in Condensate Evaporator
- CFC-Free Refrigerant
- Condenser Impeller Speed Controller
- Epoxy-Coated Condenser Coils
- Filter
- Heavy-duty Steel Shell
- Internal Corrosion Protection (NEMA 4X Models)
- Low Temperature Control Thermostat*
- NEMA 4 or 4X Rating Maintained (UL50)
- Six-Foot [1.8m] (Minimum) 3-Wire Power Cord
- Stainless Steel Shell (NEMA 4X Models)
- UL/CUL Listed

Accessories & Options

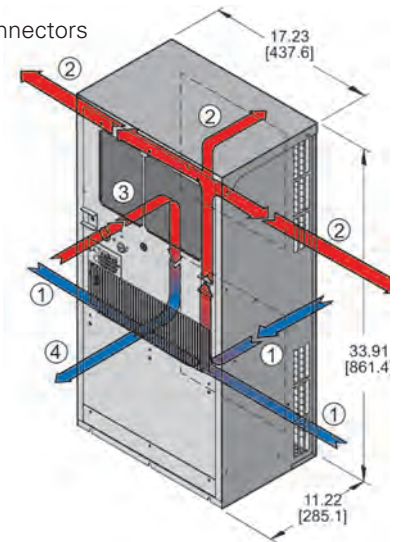
- Compressor Short Cycle Protector
- Enclosure Heater
- Filter Recoating Adhesive
- Lead-Lag Controller
- Other Voltages and Frequencies
- Remote Thermostat Relay
- Replacement Filters (P/N: 9501F)
- Special Motors, Line Cords or Connectors
- Special Materials and Finishes
- Temperature Alarm
- Available in 230V Models

* Transitioning to programmable controls

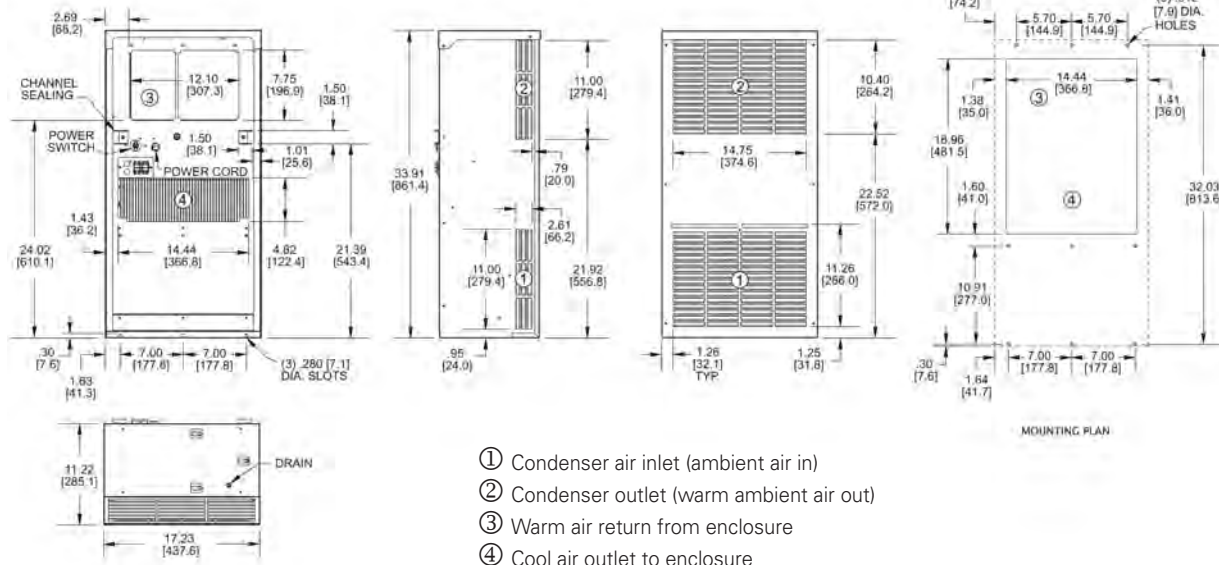
Performance



Operation within shaded area not recommended.



Drawings



Notes: Data subject to change without notice.

Consult factory for special requirements. Dimensions are in inches. Millimeters shown in [] are for reference only.

Climate Control Products

Guardian DP47 NEMA 4 or 4X Air Conditioners



Transitioning to ANSI 61 Gray finish

Model	NEMA Rating	BTU/H Capacity	95/95 Rating BTU/H	Ambient Temp.				Volts	* Hz	** Running Amps	Weight	
				°F		°C					lbs	kg
KNA4C9DP47L	4	9000	7400	131	-20	55	-29	115/100	60/50	19.2	135	61
KNA4C9DP47LV	4X	9000	7400	131	-20	55	-29	115/100	60/50	19.2	135	61

* 115V 60 Hz models perform at reduced capacity when operated at 100V 50 Hz.

** Rating shown for operation at maximum ambient temperature.

Standard Features

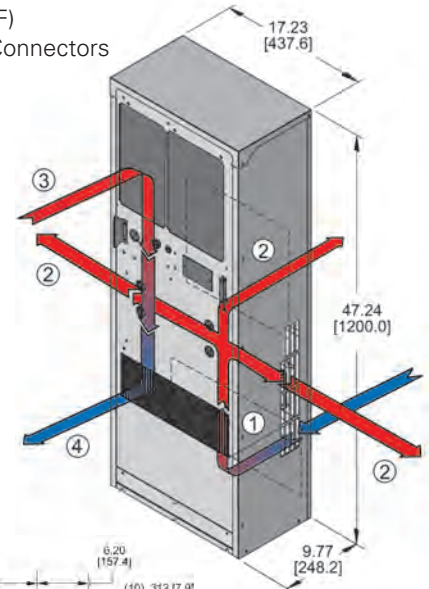
- Baked Powder Finish
- Built-in Condensate Evaporator
- CFC-Free Refrigerant
- Condenser Impeller Speed Controller
- Epoxy-Coated Condenser Coils
- Filter
- Heavy-duty Steel Shell
- Internal Corrosion Protection (NEMA 4X Models)
- Low Temperature Control Thermostat*
- NEMA 4 or 4X Rating Maintained (UL50)
- Six-Foot [1.8m] (Minimum) 3-Wire Power Cord
- Stainless Steel Shell (NEMA 4X Models)
- UL/CUL Listed

Accessories & Options

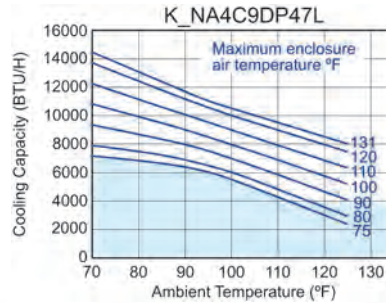
- Compressor Short Cycle Protector
- Enclosure Heater
- Filter Recoating Adhesive
- Lead-Lag Controller
- Other Voltages and Frequencies
- Remote Thermostat Relay
- Replacement Filters (P/N: 8001F)
- Special Motors, Line Cords or Connectors
- Special Materials and Finishes
- Temperature Alarm
- Available in 230V Models



NEMA TYPE 4 OR 4X MAINTAINED

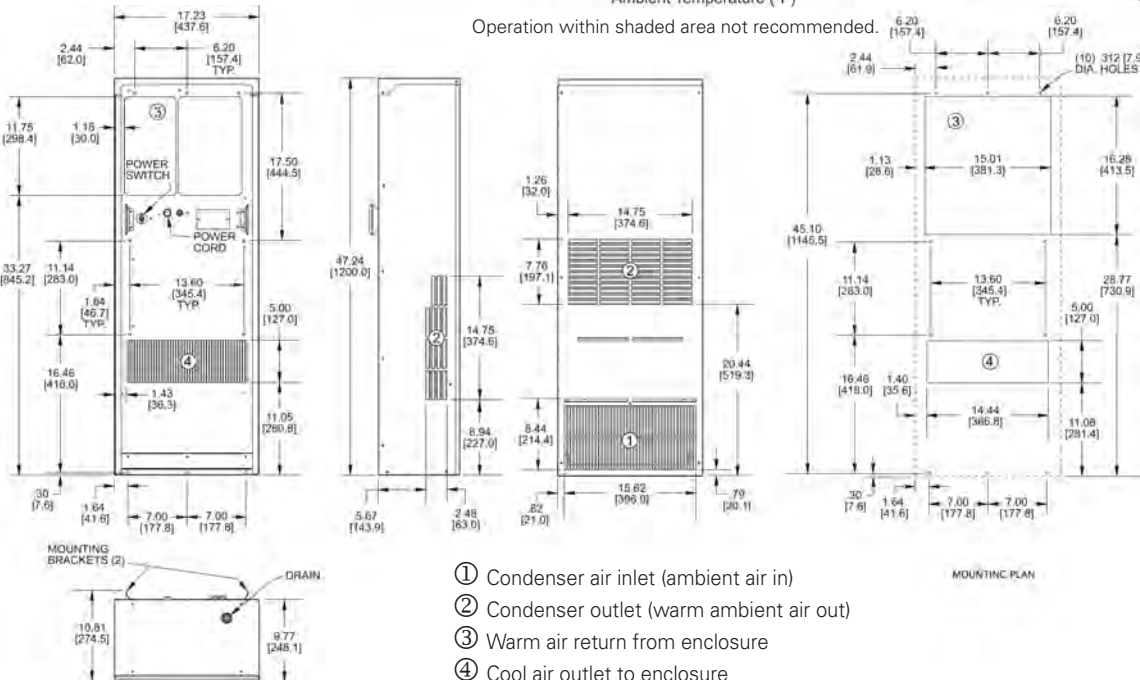


Performance



Operation within shaded area not recommended.

Drawings



Notes: Data subject to change without notice.

Consult factory for special requirements. Dimensions are in inches. Millimeters shown in [] are for reference only.

Guardian DP50 NEMA 4 or 4X Air Conditioners

Model	NEMA Rating	BTU/H Capacity	95/95 Rating BTU/H	Ambient Temp.				Volts	* Hz	** Running Amps	Weight	
				Max.	Min.	Max.	Min.				lbs	kg
K2NA6C14DP50L	4	14000	13000	131	-20	55	-29	230	60	13.5	207	94
K2NA6C14DP50LV	4X	14000	13000	131	-20	55	-29	230	60	13.5	207	94

* 115V 60 Hz models perform at reduced capacity when operated at 100V 50 Hz.

** Rating shown for operation at maximum ambient temperature.



Transitioning to ANSI 61 Gray finish



Standard Features

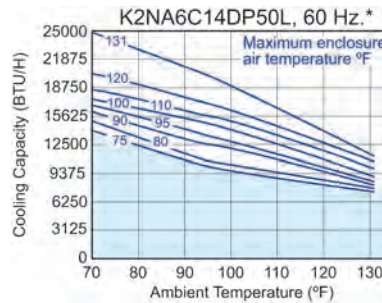
- Baked Powder Finish
- Built-In Condensate Evaporator
- Closed-Loop Cooling
- Condenser Blower Controller
- Epoxy-Coated Condenser Coils
- Filters (2)
- Heavy-duty Steel Shell
- Internal Corrosion Protection (NEMA 4X Models)
- Low Temperature Control Thermostat*
- NEMA 4 or 4X Rating Maintained (UL50)
- Six-Foot [1.8m] (Minimum) 3-Wire Power Cord
- Stainless Steel Shell (NEMA 4X Models)
- UL/CUL Listed
- Zero ODP Refrigerant

* Transitioning to programmable controls

Accessories & Options

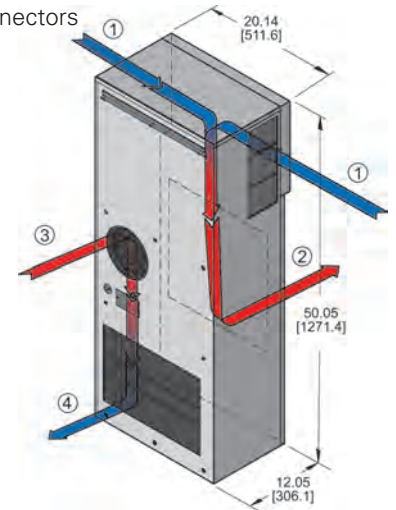
- Compressor Short Cycle Protector
- Enclosure Heater
- Filter Recoating Adhesive
- Lead-Lag Controller
- Other Voltages and Frequencies
- Remote Thermostat Relay
- Replacement Filters (P/N: 13658F)
- Special Motors, Line Cords or Connectors
- Special Materials and Finishes
- Temperature Alarm

Performance



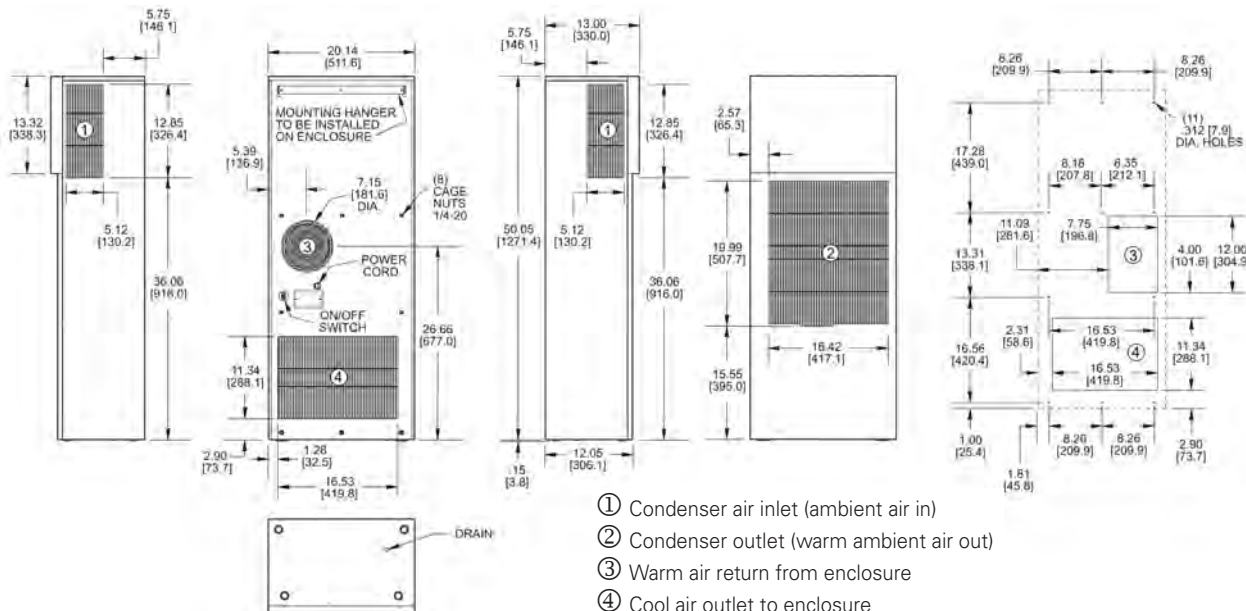
Operation within shaded area not recommended.

* Operation at 50Hz will be 10% less.



Climate Control

Drawings



Notes: Data subject to change without notice.

Consult factory for special requirements. Dimensions are in inches. Millimeters shown in [] are for reference only.

Climate Control Products

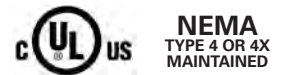
Guardian Series DP24 480 Volt 1-Phase NEMA 4 or 4X Air Conditioners

Model	NEMA Rating	BTU/H Capacity	95/95 Rating BTU/H	Ambient Temp.				Volts	Hz	* Running Amps	Weight	
				Max. °F	Min. °F	Max. °C	Min. °C				lbs	kg
K3NA4C3DP24L	4	3000	2500	125	-20	52	-29	480/1	60	1.4	61	27
K3NA4C3DP24LV	4X	3000	2500	125	-20	52	-29	480/1	60	1.4	61	27

* Rating shown for operation at maximum ambient temperature.



Transitioning to ANSI 61 Gray finish



Standard Features

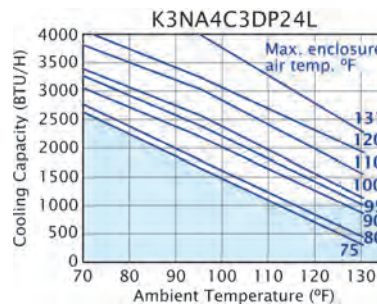
- Baked Powder Finish
- 480 Volt 1-Phase
- Built-In Condensate Evaporator
- CFC - Free Refrigerant
- Closed-Loop Cooling
- Compressor Short Cycle Protector
- Condenser Blower Controller
- Epoxy-Coated Condenser Coils
- Filter
- Heavy-duty Steel Shell
- Internal Corrosion Protection (NEMA 4X Models)
- Low Temperature Control Thermostat*
- NEMA 4 or 4X Rating Maintained (UL50)
- Stainless Steel Shell (NEMA 4X Models)
- UL/CUL Listed

* Transitioning to programmable controls

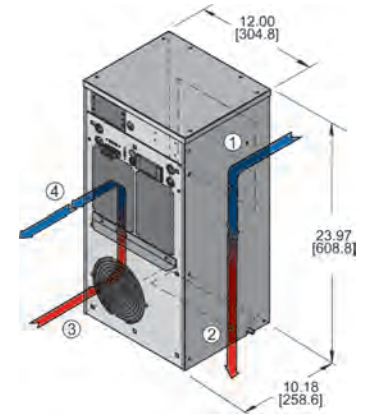
Accessories & Options

- Enclosure Heater
- Filter Recoating Adhesive
- Lead-Lag Controller
- Remote Thermostat Relay
- Replacement Filters (P/N: 8388F)
- Special Materials and Finishes
- Stainless or Aluminum Shell

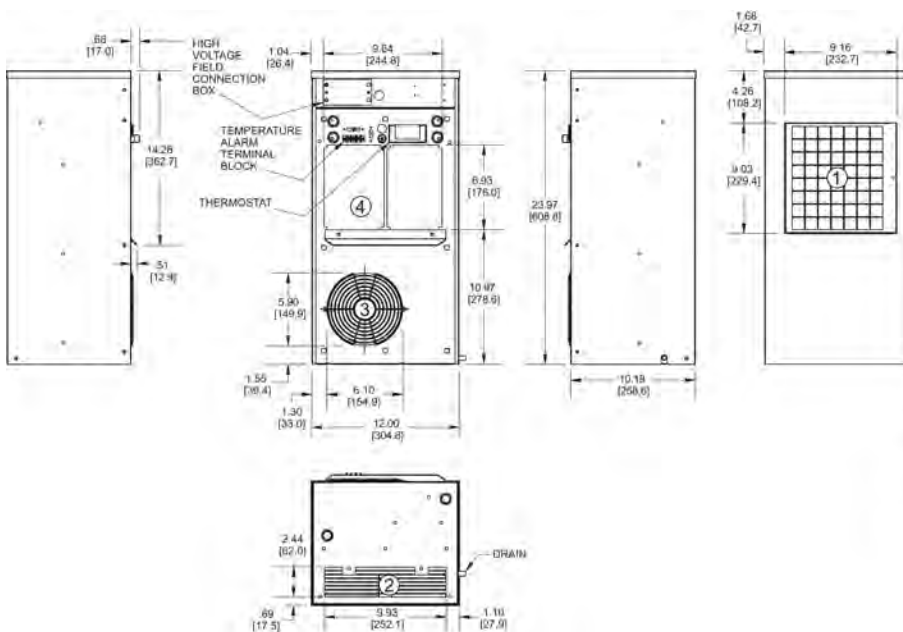
Performance



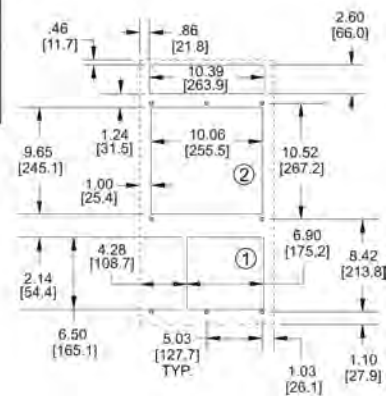
Operation within shaded area not recommended.



Drawings



- ① Condenser air inlet (ambient air in)
- ② Condenser outlet (warm ambient air out)
- ③ Warm air return from enclosure
- ④ Cool air outlet to enclosure



Notes: Data subject to change without notice.

Consult factory for special requirements. Dimensions are in inches. Millimeters shown in [] are for reference only.

Guardian Series DP38 480 Volt 3-Phase NEMA 4 or 4X Air Conditioners

Model	NEMA Rating	BTU/H Capacity	95/95 Rating BTU/H	Ambient Temp.		Volts	Hz	* Running Amps	Weight lbs	kg		
				°F Max.	°F Min.						°C Max.	°C Min.
K3NA4C5DP38L	4	5000	4800	131	0	55	-18	480	60	2.0	115	52
K3NA4C5DP38LV	4X	5000	4800	131	0	55	-18	480	60	2.0	115	52

* Rating shown for operation at maximum ambient temperature.



Transitioning to ANSI 61 Gray finish

Standard Features

- Baked Powder Finish
- Built-In Condensate Evaporator
- CFC - Free Refrigerant
- Closed-Loop Cooling
- Condenser Impeller Speed Controller
- Epoxy-Coated Condenser Coils
- External Junction Box for Permanent Wiring Connections
- Filter
- Heavy-duty Steel Shell
- Internal Corrosion Protection (NEMA 4X Models)
- Low Temperature Control Thermostat*
- NEMA 4 or 4X Rating Maintained (UL50)
- Phase Sequence/Phase Loss Detector/Under Voltage Monitor
- Stainless Steel Shell (NEMA 4X Models)
- UL/CUL Listed

* Transitioning to programmable controls

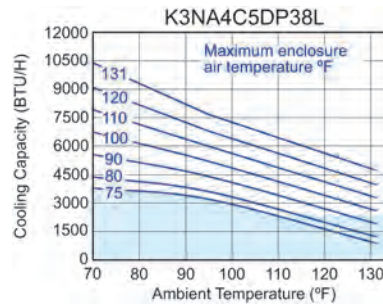
Accessories & Options

- Compressor Short Cycle Protector
- Enclosure Heater
- Filter Recoating Adhesive
- Lead-Lag Controller
- Remote Thermostat Relay
- Replacement Filters (P/N: 9501F)
- Special Paint Finishes
- Temperature Alarm

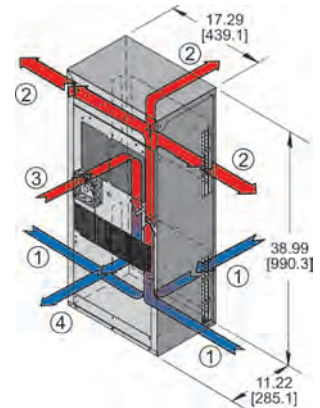


NEMA TYPE 4 OR 4X MAINTAINED

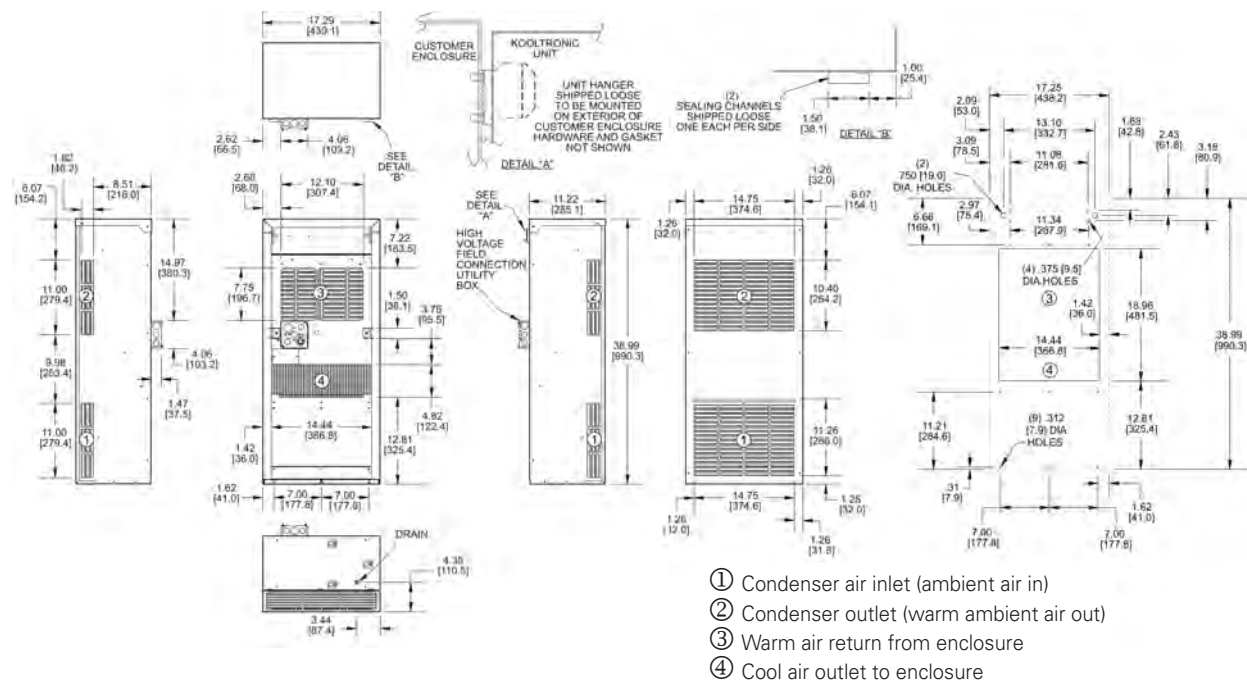
Performance



Operation within shaded area not recommended.



Drawings



Notes: Data subject to change without notice.

Consult factory for special requirements. Dimensions are in inches. Millimeters shown in [] are for reference only.

Climate Control Products

Guardian Series DP52 480-Volt 3-Phase NEMA 4 or 4X Air Conditioners

Model	NEMA Rating	BTU/H Capacity	95/95 Rating BTU/H	Ambient Temp.				Volts	Hz	* Running Amps	Weight	
				°F		°C						
				Max.	Min.	Max.	Min.					
K3NA4C7DP52L	4	7000	6300	131	0	55	-18	480	60	3.0	160	72
K3NA4C7DP52LV	4X	7000	6300	131	0	55	-18	480	60	3.0	160	72
K3NA4C9DP52L	4	9000	8100	131	0	55	-18	480	60	4.0	164	75
K3NA4C9DP52LV	4X	9000	8100	131	0	55	-18	480	60	4.0	164	75

* Rating shown for operation at maximum ambient temperature.

Standard Features

- Baked Powder Finish
- Built-In Condensate Evaporator
- CFC - Free Refrigerant
- Closed-Loop Cooling
- Condenser Impeller Speed Controller
- Epoxy-Coated Condenser Coils
- External Junction Box for Permanent Wiring Connections
- Filter
- Heavy-duty Steel Shell
- Internal Corrosion Protection (NEMA 4X Models)
- Low Temperature Control Thermostat*
- NEMA 4 or 4X Rating Maintained (UL50)
- Phase Sequence/Phase Loss Detector/Under Voltage Monitor
- Stainless Steel Shell (NEMA 4X Models)
- UL/CUL Listed

Accessories & Options

- Compressor Short Cycle Protector
- Enclosure Heater
- Filter Recoating Adhesive
- Lead-Lag Controller
- Remote Thermostat Relay
- Replacement Filters (P/N: 8001F)
- Special Paint Finishes
- Temperature Alarm

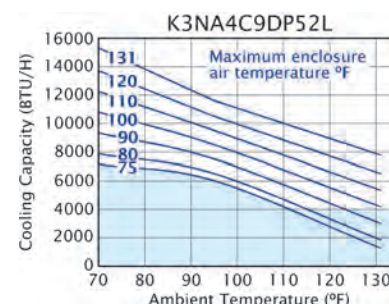
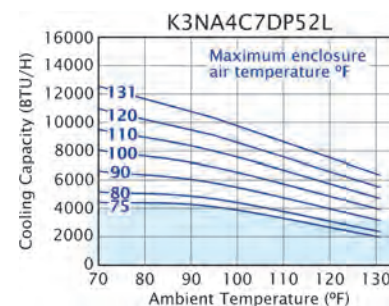


Transitioning to ANSI 61 Gray finish

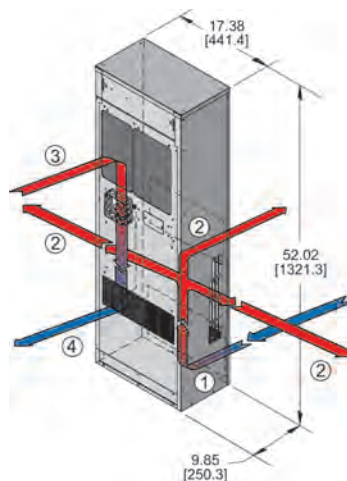


NEMA
TYPE 4 OR 4X
MAINTAINED

Performance

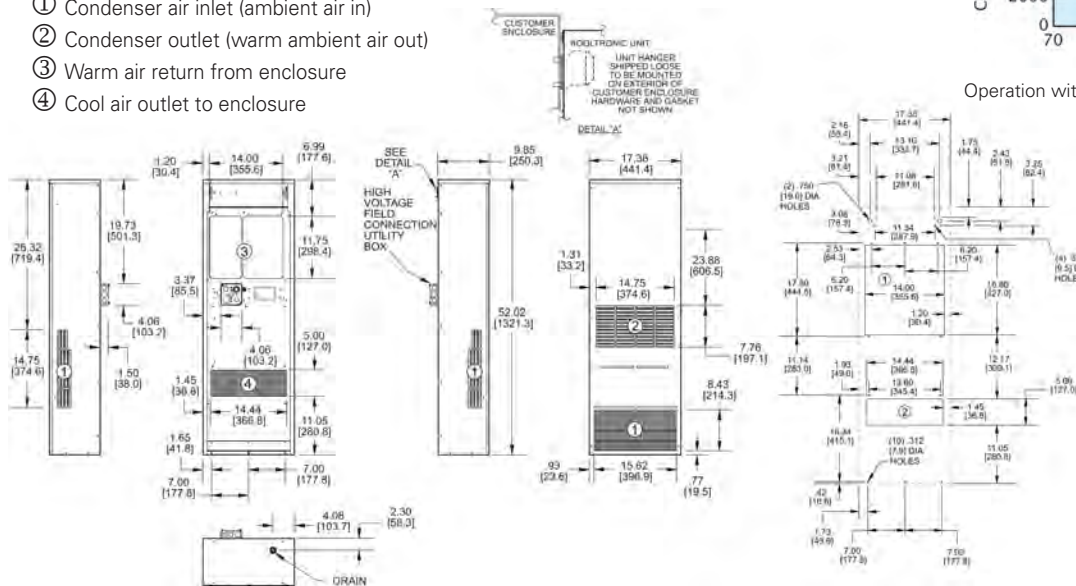


Operation within shaded area not recommended.



Drawings

- ① Condenser air inlet (ambient air in)
- ② Condenser outlet (warm ambient air out)
- ③ Warm air return from enclosure
- ④ Cool air outlet to enclosure



Notes: Data subject to change without notice.

Consult factory for special requirements. Dimensions are in inches. Millimeters shown in [] are for reference only.

SlimKool Series (narrow width) SP28 NEMA 4 or 4X Air Conditioners

Model	NEMA Rating	BTU/H Capacity	95/95 Rating BTU/H	Ambient Temp.				Volts	Hz	* Running Amps	Weight	
				Max. °F	Min. °F	Max. °C	Min. °C				lbs	kg
KNA4C4SP28L	4	4000	3700	131	-20	55	-29	115/100	60/50	8.3	85	38.5
KNA4C4SP28LV	4X	4000	3700	131	-20	55	-29	115/100	60/50	8.3	85	38.5

* Rating shown for operation at maximum ambient temperature.



NEMA
TYPE 12, 3R, & 4
MAINTAINED
(4X OPTIONAL)

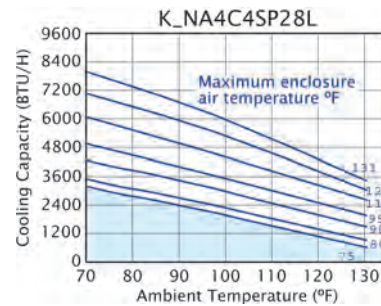
Standard Features

- Built-In Condensate Evaporator
- CFC - Free Refrigerant
- Closed-Loop Cooling
- Compact Design/Slim Mounting Footprints
- Compressor Short Cycle Protector
- Condenser Impeller Cycling Controller
- Epoxy-Coated Evaporator & Condenser Coils
- Filter
- Heavy-duty Steel Shell with ANSI Gray Polyester Powder Coating
- Internal Corrosion Protection
- NEMA 12, 3R, and 4 Ratings Maintained (UL50) (4X Optional)
- Programmable Temperature Alarm
- Programmable Thermostat
- Stainless Steel Shell (NEMA 4X Models)
- UL/CUL Listed

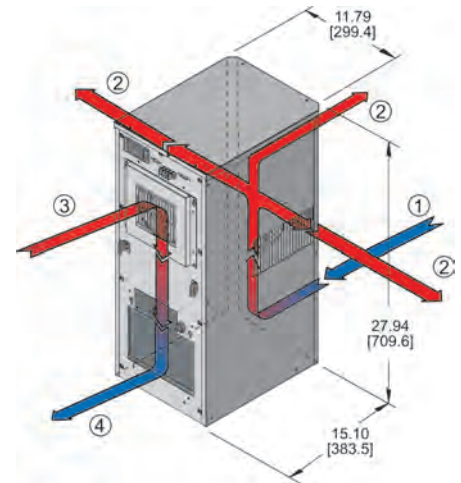
Accessories & Options

- Enclosure Heater
- Filter Recoating Adhesive
- Lead-Lag Controller
- Mounting Adapter Plates
- Remote Monitoring
- Remote Thermostat Relay
- Replacement Filters (P/N: 9501F)
- Available in 230V and 480V Models

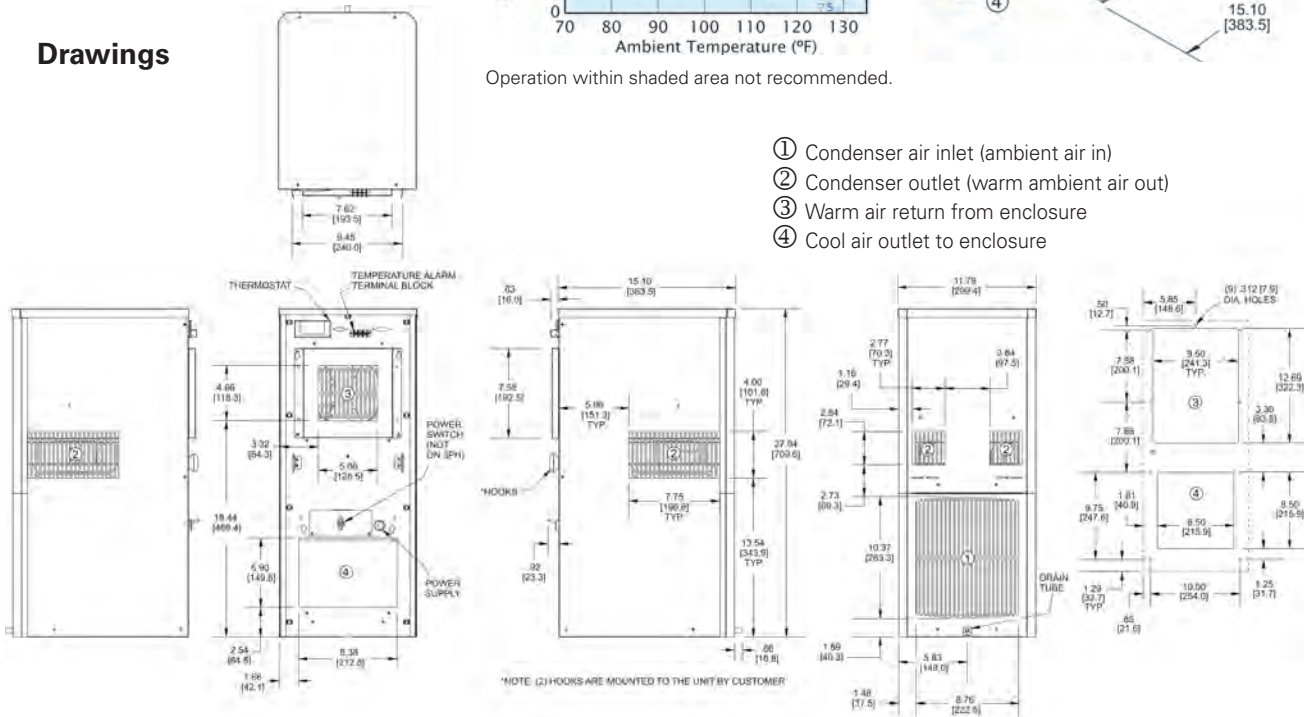
Performance



Operation within shaded area not recommended.



Drawings



Notes: Data subject to change without notice.

Consult factory for special requirements. Dimensions are in inches. Millimeters shown in [] are for reference only.

Climate Control Products

SlimKool Series (narrow width) SP36 NEMA 4 or 4X Air Conditioners



Model	NEMA Rating	BTU/H Capacity	95/95 Rating BTU/H	Ambient Temp.				Volts	Hz	* Running Amps	Weight	
				Max. °F	Min. °F	Max. °C	Min. °C				lbs	kg
KNA4C6SP36L	4	6000	5600	131	-20	55	-29	115/100	60/50	9.6	100	45.3
KNA4C6SP36LV	4X	6000	5600	131	-20	55	-29	115/100	60/50	9.6	100	45.3
KNA4C8SP36L	4	8000	7500	131	-20	55	-29	115/100	60/50	14.4	100	45.3
KNA4C8SP36LV	4X	8000	7500	131	-20	55	-29	115/100	60/50	14.4	100	45.3

* Rating shown for operation at maximum ambient temperature.

Standard Features

- Built-In Condensate Evaporator
- CFC - Free Refrigerant
- Closed-Loop Cooling
- Compact Design/Slim Mounting Footprints
- Compressor Short Cycle Protector
- Condenser Impeller Cycling Controller
- Epoxy-Coated Evaporator & Condenser Coils
- Filter
- Heavy-duty Steel Shell with ANSI Gray Polyester Powder Coating
- Internal Corrosion Protection
- NEMA 12, 3R, and 4 Ratings Maintained (UL50) (4X Optional)
- Programmable Temperature Alarm
- Programmable Thermostat
- Stainless Steel Shell (NEMA 4X Models)
- UL/CUL Listed

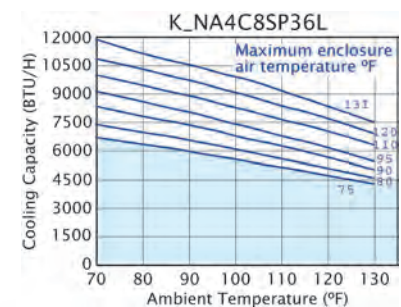
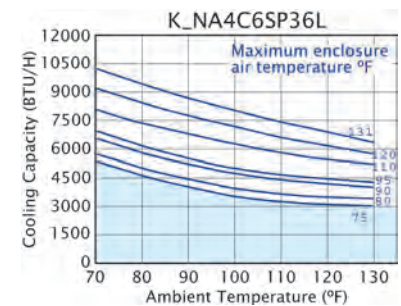
Accessories & Options

- Enclosure Heater
- Filter Recoating Adhesive
- Lead-Lag Controller
- Mounting Adapter Plates
- Remote Monitoring
- Remote Thermostat Relay
- Replacement Filters (P/N: 9502F)
- Available in 230V Models

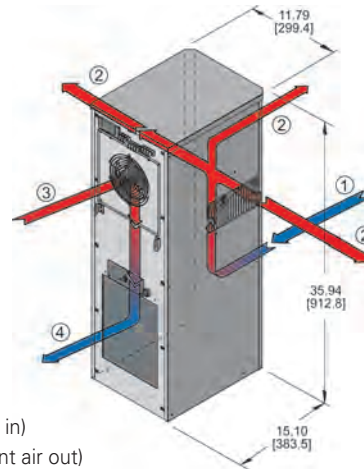


NEMA
TYPE 12, 3R, & 4
MAINTAINED
(4X OPTIONAL)

Performance



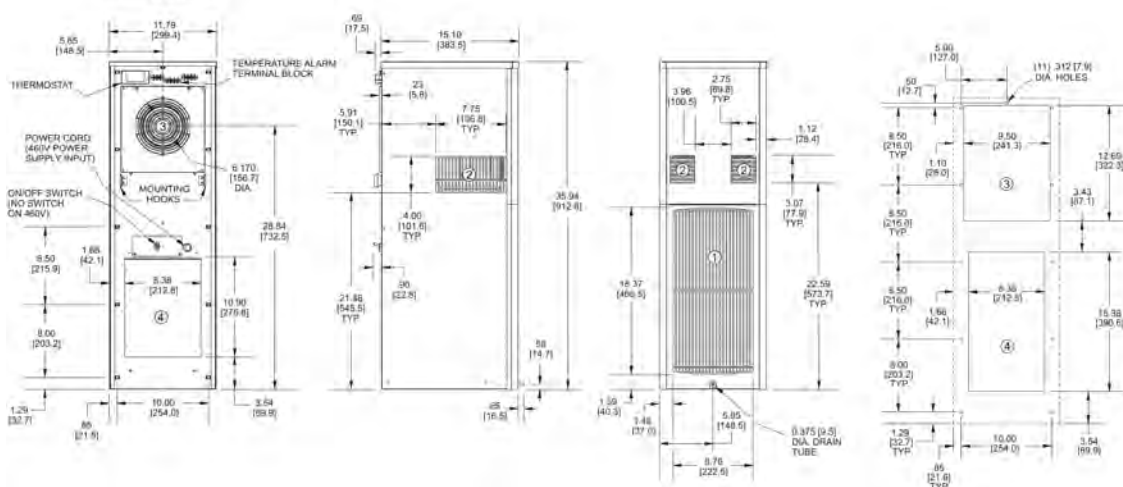
Operation within shaded area not recommended.



Drawings



- ① Condenser air inlet (ambient air in)
- ② Condenser outlet (warm ambient air out)
- ③ Warm air return from enclosure
- ④ Cool air outlet to enclosure



Notes: Data subject to change without notice.

Consult factory for special requirements. Dimensions are in inches. Millimeters shown in [] are for reference only.

SlimKool Series (narrow width) SP43 NEMA 4 or 4X Air Conditioners

Model	NEMA Rating	BTU/H Capacity	95/95 Rating BTU/H	Ambient Temp.		Max.	Min.	Volts	Hz	* Running Amps	Weight lbs	kg
				°F	°C							
KNA4C11SP43L	4	11000	9300	131	-20	55	-29	115/100	60/50	20.0/19.5	115	52
KNA4C11SP43LV	4X	11000	9300	131	-20	55	-29	115/100	60/50	20.0/19.5	115	52

* Rating shown for operation at maximum ambient temperature.



Standard Features

- Built-In Condensate Evaporator
- CFC - Free Refrigerant
- Closed-Loop Cooling
- Compact Design/Slim Mounting Footprints
- Compressor Short Cycle Protector
- Condenser Impeller Cycling Controller
- Epoxy-Coated Evaporator & Condenser Coils
- Filter
- Heavy-duty Steel Shell with ANSI Gray Polyester Powder Coating
- Internal Corrosion Protection
- NEMA 12, 3R, and 4 Ratings Maintained (UL50) (4X Optional)
- Programmable Temperature Alarm
- Programmable Thermostat
- Stainless Steel Shell (NEMA 4X Models)
- UL/CUL Listed

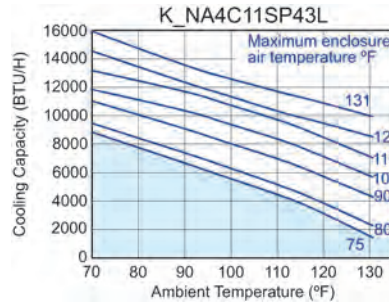
Accessories & Options

- Enclosure Heater
- Filter Recoating Adhesive
- Lead-Lag Controller
- Mounting Adapter Plates
- Remote Monitoring
- Remote Thermostat Relay
- Replacement Filters (P/N: 9503F)
- Available in 230V and 480V Models

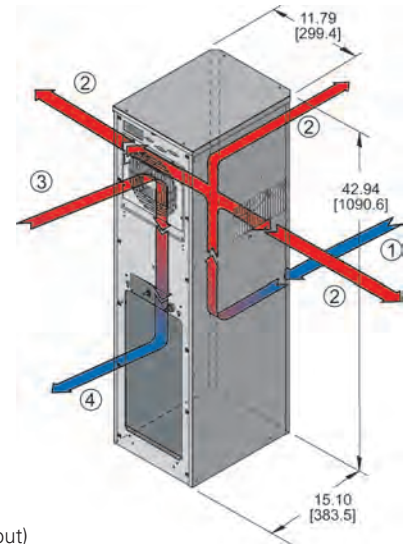


NEMA
TYPE 12, 3R, & 4
MAINTAINED
(4X OPTIONAL)

Performance

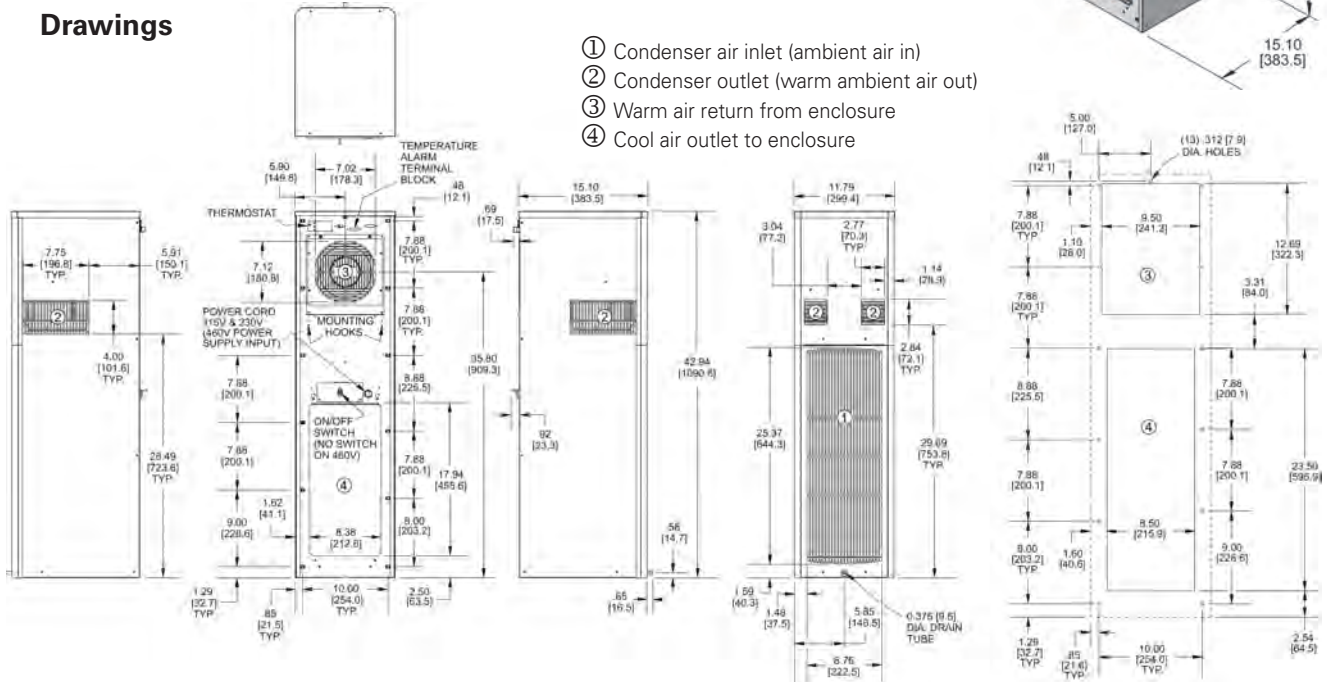


Operation within shaded area not recommended.



Climate Control

Drawings



Notes: Data subject to change without notice.

Consult factory for special requirements. Dimensions are in inches. Millimeters shown in [] are for reference only.

Climate Control Products

Compact Series Horizontal Top-Mounted Air Conditioners

Model	BTU/H Capacity	95/95 Rating BTU/H	Ambient Temp.				Volts	Hz	* Running Amps	Weight	
			°F		°C					lbs	kg
KA4C4HTL	4000	2250	125	50	52	10	115/100	60/50	13.1	85	38

* Rating shown for operation at maximum ambient temperature.



Standard Features

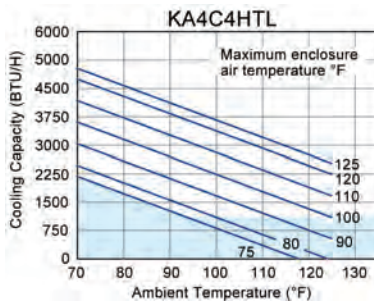
- Built-In Condensate Evaporator
- CFC - Free Refrigerant
- Filter
- Low Temperature Control Thermostat
- UL/CUL Listed

Accessories & Options

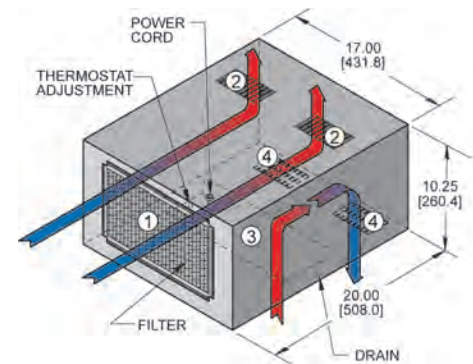
- Compressor Short Cycle Protector
- Enclosure Heater
- Filter Recoating Adhesive
- Internal Corrosion Protection
- Lead-Lag Controller
- Lifting Eyes
- Low Airflow Detector
- Low Ambient Kit
- Remote Thermostat Relay
- Replacement Filters (P/N: 240F)
- Special Controls or Indicators
- Special Materials or Finishes
- Special Motors, Line Cords, or Connectors
- Stainless or Aluminum Shell
- Temperature Alarm
- Available in 230V Models



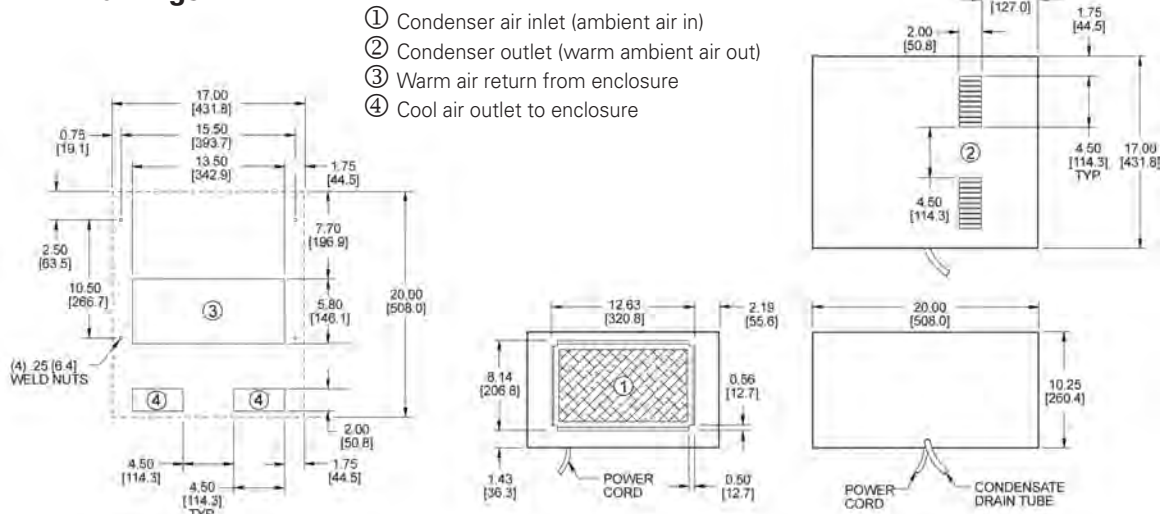
Performance



Operation within shaded area not recommended.



Drawings



Notes: Data subject to change without notice.

Consult factory for special requirements. Dimensions are in inches. Millimeters shown in [] are for reference only.

Compact Plus Series Horizontal Top-Mounted Air Conditioners

Model	BTU/H Capacity	95/95 Rating BTU/H	Ambient Temp.				Volts	Hz	* Running Amps	Weight	
			°F		°C					lbs	kg
KA4C5.0H5R	5000	3500	125	50	52	10	115/100	60/50	16.5	95	43

* Rating shown for operation at maximum ambient temperature.



Standard Features

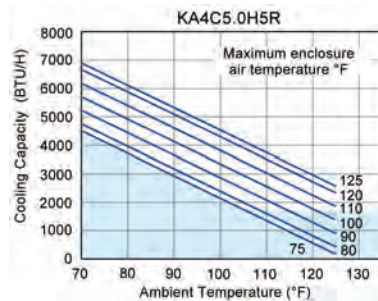
- CFC - Free Refrigerant
- Filter
- Low Temperature Control Thermostat
- Reversible Condenser Outlet Blower
- UL Recognized

Accessories & Options

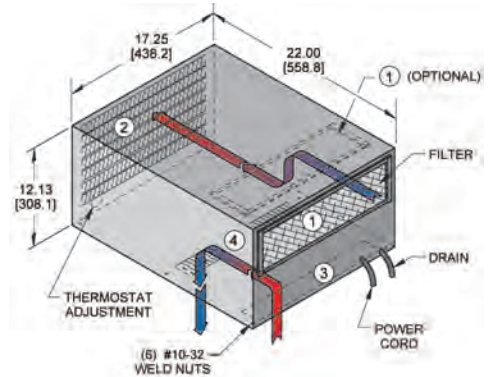
- Compressor Short Cycle Protector
- Brackets for Rack Mounting
- Enclosure Heater
- Filter Recoating Adhesive
- Internal Corrosion Protection
- Lead-Lag Controller
- Lifting Eyes
- Low Airflow Detector
- Low Ambient Kit
- Remote Thermostat Relay
- Replacement Filters (P/N: 4811F)
- Special Controls or Indicators
- Special Materials or Finishes
- Special Motors, Line Cords, or Connectors
- Stainless or Aluminum Shell
- Temperature Alarm
- Available in 230V Models



Performance

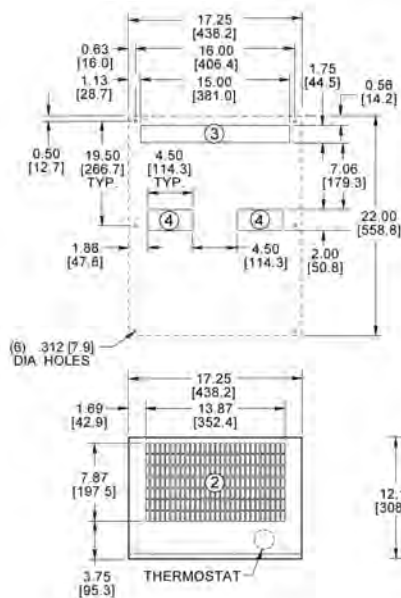


Operation within shaded area not recommended.



Climate Control

Drawings



- ① Condenser air inlet (ambient air in)
- ② Condenser outlet (warm ambient air out)
- ③ Warm air return from enclosure
- ④ Cool air outlet to enclosure

Notes: Data subject to change without notice.

Consult factory for special requirements. Dimensions are in inches. Millimeters shown in [] are for reference only.

Climate Control Products

Filter Fans NEMA 1 Box Fan

Description

High airflow with low noise operations makes these versatile packaged fans very popular in a wide range of applications. Reversible mounting brackets allow user to push or pull air through the enclosure. In addition, these fans can be installed internally or externally, vertically or horizontally, with or without a filter. Utilizing the special motor-mount isolation system, these fans operate virtually vibration-free. Front and rear grilles can be adjusted to accommodate or omit filter. Filter slides in and out easily for cleaning and replacement.



Accessories

All Packaged Fans

- Filter Recoating Adhesive
- Replacement Filters (531F for KP40, 681F for KP60, 1081F for KP100)
- Special Materials or External finishes
- Special Motors, Line Cords or Connectors
- Variable Speed Control
- Adapters
- Grille Assemblies (KFG40, KFG60, KFG100) Includes Filter

Features

- Exceptionally Quiet
- Versatile Mounting and Adaptability
- Heavy-Gauge Steel Construction
- UL/CSA Ball-Bearing Motors
- Attractive Stainless Steel Grilles
- All models Can Pressurize or Exhaust
- Accessories and Options

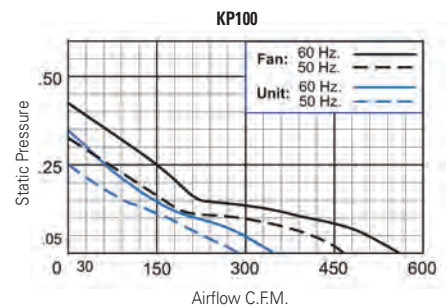
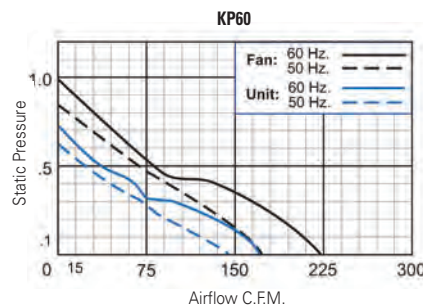
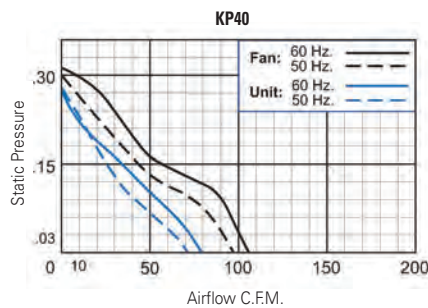
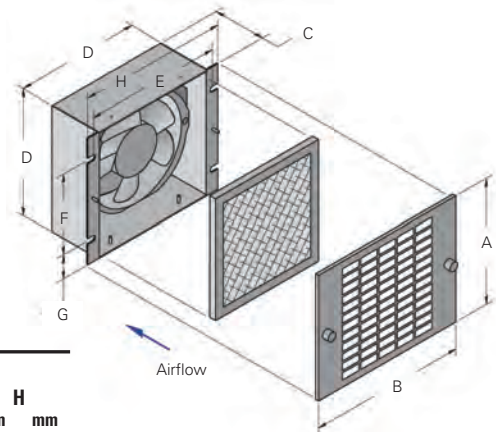
Technical Data

Catalog Number	CFM@ 0-inches	RPM nominal	Running Amps		Watts	Volts	Weight	
			Run.	L.P.			Lbs	kg
KP40	105	3000	0.18	0.33	15	115†	3.0	1.36
KP60	220	3300	0.29	0.35	33	115†	4.0	1.81
KP100	550	1600	0.49	1.30	60	115†	10.0	4.53

Dimensions Inches (mm)

Catalog Number	A		B		C		D		E		F		G		H	
	in	mm	in	mm	in	mm	in	mm	in	mm	in	mm	in	mm	in	mm
KP40	6.13	156	7.38	187	2.37	60	5.62	143	6.37	162	4.12	04	.75	19	7.00	178
KP60	7.63	194	8.87	225	3.00	76	7.12	181	7.87	200	4.50	114	1.31	33	8.50	216
KP100	11.63	295	13.00	330	4.56	116	11.12	282	11.87	310	6.87	174	2.12	54	12.50	317

† For 230 volt models add a "2" after the "K" in the catalog number.



Additional Specifications

Permanent Filter: Furnished with each packaged fan.

Grille/Guard: KP40, KP60 and KP100 each include a rear guard and an attractive stainless steel grille and knurled captive fasteners for easy removal. Grilles and guards comply with OSHA and UL safety standards.

Notes: Data subject to change without notice.

Consult factory for special requirements. Dimensions are in inches. Millimeters shown in [] are for reference only.

Advantage Sentry Series NEMA 3R Filter Fans KNP100F

Model	Voltage	Frequency Hz	Input mA	Input Watts	Fan Airflow CFM*	Fan w/Grille Airflow CFM**	Noise db(A)	Operating Temp.				Approx. Weight	
								°F		°C		lbs	kg
BLKNP100F	115 VAC	50/60	.35/.38	36/38	338/405	141/172	55/58	-40	158	-40	70	12.5	5.6

* Fan airflow without filter or grille.

** NEMA Rated if installed with provided filter.



Transitioning to
ANSI 61 Gray finish

Standard Features

- Baked Powder Finish
- Integrated Fan Guards
- Integrated Sealing Gasket
- Most Assemblies are UL/cUL Listed
- NEMA 3R Rating Maintained (if used with provided filter)
- Secure Mounting
- UL/CSA Shielded Ball Bearing Motor
- Washable, Reuseable Filter

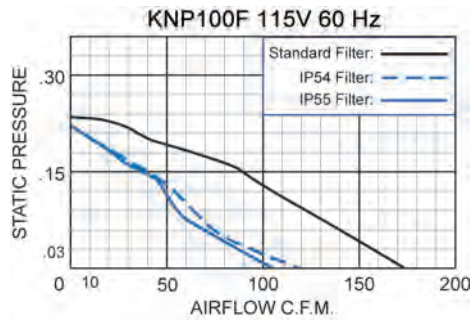
Accessories & Options

- Grille Assembly (P/N: KNPA100F)
- IP54 & IP55 Filter Protection Available
- Other Voltages, Both AC & DC
- Replacement Filters (P/N: 1081F)
- Available with Reversed Airflow Direction

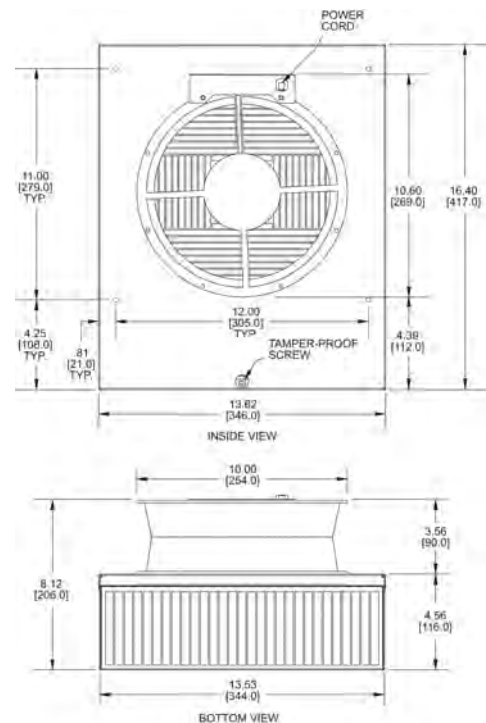
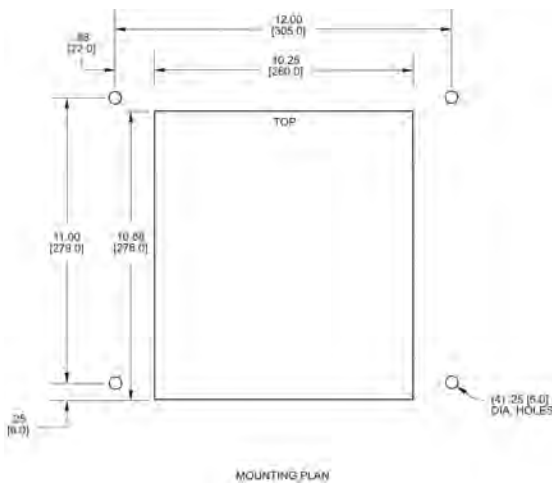


NEMA
TYPE 3R
MAINTAINED

Performance



Drawings



Notes: Data subject to change without notice.

Consult factory for special requirements. Dimensions are in inches. Millimeters shown in [] are for reference only.

Climate Control Products

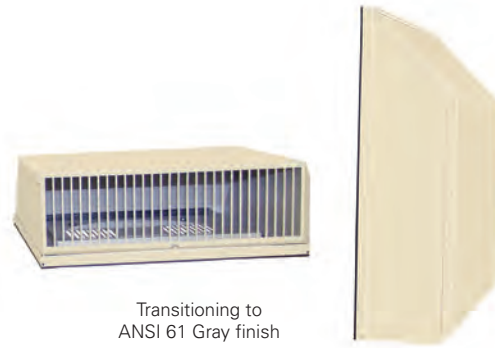
Advantage Sentry Series Filter Fans Filter-Grille Assemblies

Model

BLKNPA100F

Description

These Filter-Grille Assemblies can be used in conjunction with the Advantage Sentry Series Filter Fans for enclosure cooling. In a typical mounting orientation the motorized Filter Fan pulls air into an enclosure while the Filter-Grille Assembly functions as an outlet. Alternatively, if the reverse airflow option is chosen for the filter fan, the fan exhausts the enclosure and the Filter-Grille Assembly functions as an intake. These Filter-Grille Assemblies feature filters that are easily removed for cleaning or replacement.



Transitioning to ANSI 61 Gray finish



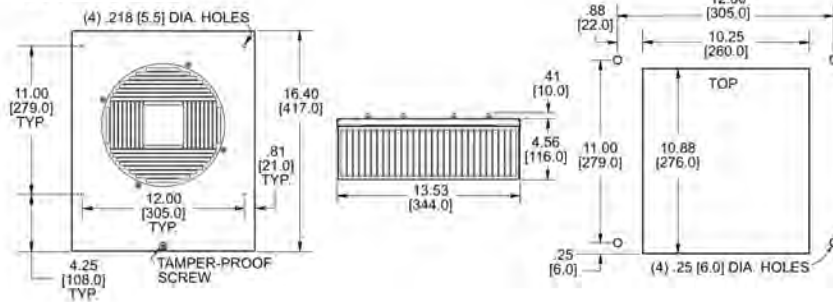
Standard Features

- Integrated Sealing Gasket
- Surface Mounting
- Baked Powder Finish
- Washable, Reuseable Filter

Accessories & Options

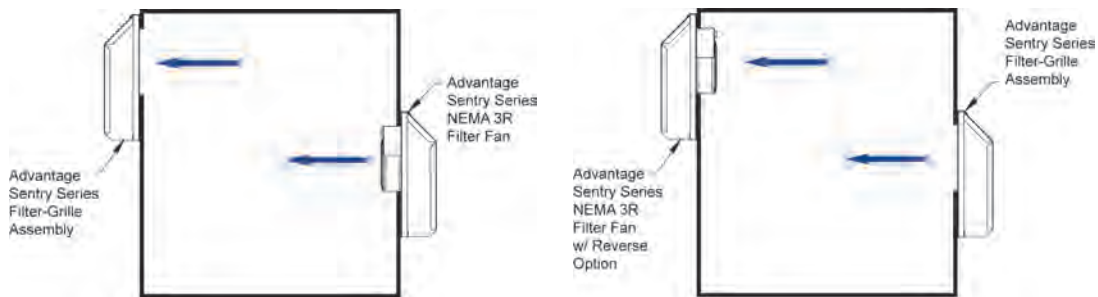
- Replacement Filter (P/N: 1081F)

Drawings



Typical Mounting Orientations

Blue arrows show direction of airflow. Boxes represent side view of electronics/electrical enclosure.



(Left) Filter Fan pressurizes cabinet. Filter-Grille Assembly exhausts cabinet.

(Right) Filter Fan with reverse option chosen.

Notes: Data subject to change without notice.

Consult factory for special requirements. Dimensions are in inches. Millimeters shown in [] are for reference only.

Guardian Series NEMA 4 or 4X Filter Fans

Model	NEMA Rating	Voltage	Frequency Hz	Input mA	Input Watts	Fan Airflow CFM*	Fan w/Grille Airflow CFM**	Noise db(A)	Operating Temp.				Approx. Weight lbs kg	
									°F		°C			
BLKNP40FL	4	115 VAC	50/60	.22/.19	14/13	90/106	40/45	52/55	-40	158	-40	70	10	4.5
BLKNP40FLV	4X	115 VAC	50/60	.22/.19	14/13	90/106	40/45	52/55	-40	158	-40	70	10	4.5

* Fan airflow without filter or grille.

** NEMA Rated if installed with provided filter.

For general ventilating use only. Do not use these fans to exhaust hazardous or explosive material or vapors.

NOT ALL SYSTEMS ARE SUITABLE FOR UTILIZING OUTSIDE AIR. To protect sensitive components against condensation an enclosure heater or closed-loop cooling is recommended. To protect sensitive components against corrosive elements closed-loop cooling is recommended.



Transitioning to ANSI 61 Gray finish

Standard Features

- Baked Powder Finish
- Integrated Fan Guards
- Integrated Sealing Gasket
- IP55 Filter Protection
- Most Assemblies are UL/cUL Approved
- NEMA 4 or 4X Rating Maintained (if used with provided filter)
- Secure Mounting
- Stainless Steel Shell (NEMA 4X Models)
- UL/CSA Shielded Ball Bearing Motors
- Washable, Reuseable Filter

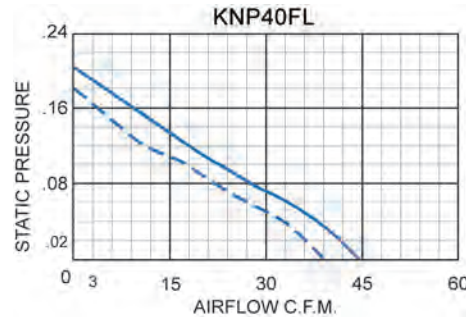
Accessories & Options

- Filter-Hood Assembly (Recommended) (P/N: BLKNPA60FL, BLKNPA60FLV)
- Other Voltages, Both AC & DC
- Replacement Filters (P/N: 0429-01-01)
- Available with Reversed Airflow Direction

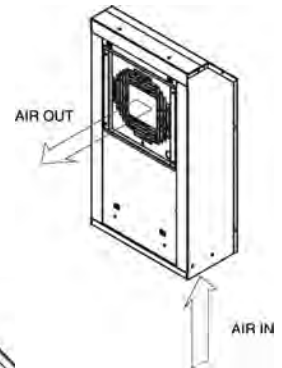


NEMA
TYPE 4 or 4X
MAINTAINED

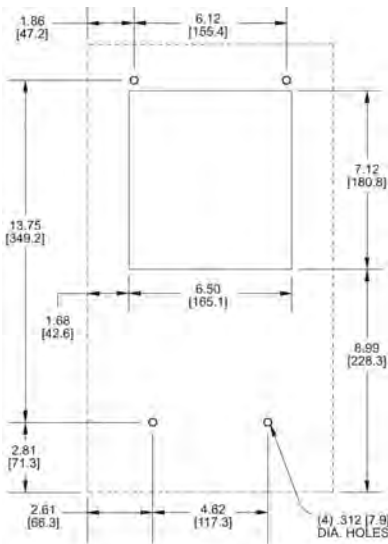
Performance



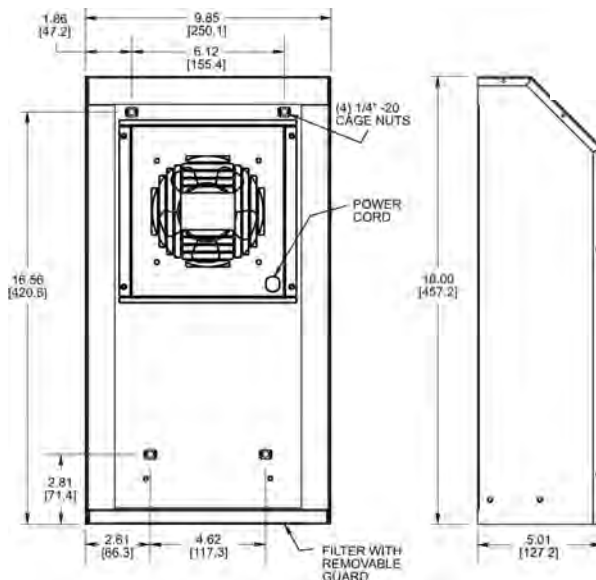
Airflow vs. static pressure curves are shown for 60 HZ and 50 HZ (broken line) inputs.



Drawings



Mounting Plan



Notes: Data subject to change without notice.

Consult factory for special requirements. Dimensions are in inches. Millimeters shown in [] are for reference only.

Climate Control Products

Guardian Series NEMA 4 or 4X Filter Fans

Model	NEMA Rating	Voltage	Frequency Hz	Input mA	Input Watts	Fan Airflow CFM*	Fan w/Grille Airflow CFM**	Noise db(A)	Operating Temp.				Approx. Weight	
									°F		°C		lbs	kg
BLKNP60FL	4	115 VAC	50/60	.42/.34	43/37	270/290	84/92	59/61	-40	158	-40	70	11.3	5.1
BLKNP60FLV	4X	115 VAC	50/60	.42/.34	43/37	270/390	84/92	59/61	-40	158	-40	70	11.3	5.1

* Fan airflow without filter or grille.

** NEMA Rated if installed with provided filter.

For general ventilating use only. Do not use these fans to exhaust hazardous or explosive material or vapors.
NOT ALL SYSTEMS ARE SUITABLE FOR UTILIZING OUTSIDE AIR. To protect sensitive components against condensation an enclosure heater or closed-loop cooling is recommended. To protect sensitive components against corrosive elements closed-loop cooling is recommended.



Transitioning to ANSI 61 Gray finish

Standard Features

- Baked Powder Finish
- Integrated Fan Guards
- Integrated Sealing Gasket
- IP55 Filter Protection
- Most Assemblies are UL/cUL Approved
- NEMA 4 or 4X Rating Maintained (if used with provided filter)
- Secure Mounting
- Stainless Steel Shell (NEMA 4X Models)
- UL/CSA Shielded Ball Bearing Motors
- Washable, Reuseable Filter

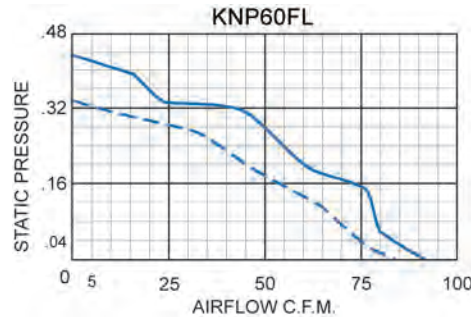
Accessories & Options

- Filter-Hood Assembly (Recommended) (P/N: BLKNPA60FL, BLKNPA60FLV)
- Other Voltages, both AC & DC
- Replacement Filters (P/N: 0429-01-01)
- Available with Reversed Airflow Direction

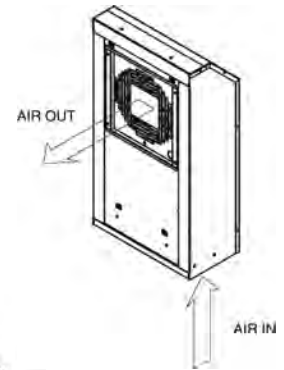


NEMA
TYPE 4 or 4X
MAINTAINED

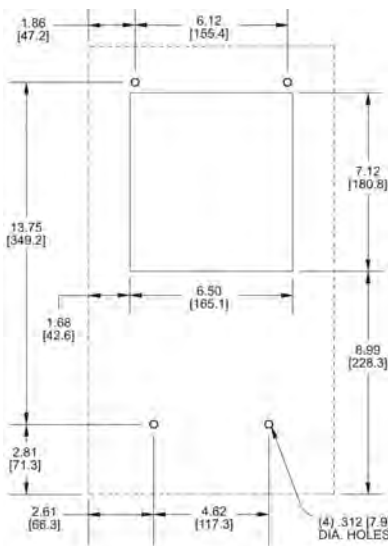
Performance



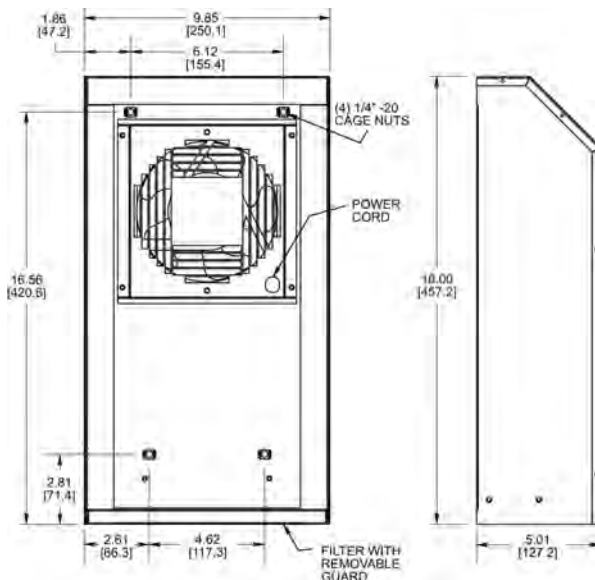
Airflow vs. static pressure curves are shown for 60 HZ and 50 HZ (broken line) inputs.



Drawings



Mounting Plan



Notes: Data subject to change without notice.

Consult factory for special requirements. Dimensions are in inches. Millimeters shown in [] are for reference only.

Guardian Series Filter Fans Filter-Hood Assemblies

Model	NEMA Rating
BLKNPA60FL	4
BLKNPA60FLV	4X

Description

These Filter-Hood Assemblies can be used in conjunction with the Guardian Series Filter Fans for enclosure cooling. In a typical mounting orientation the motorized Filter Fan pulls air into an enclosure while the Filter-Hood Assembly functions as an outlet. Alternatively, if the reverse airflow option is chosen for the filter fan, the fan exhausts the enclosure and the Filter-Hood Assembly functions as an intake. These Filter-Hood Assemblies feature filters that are easily removed for cleaning or replacement.



Transitioning to
ANSI 61 Gray finish



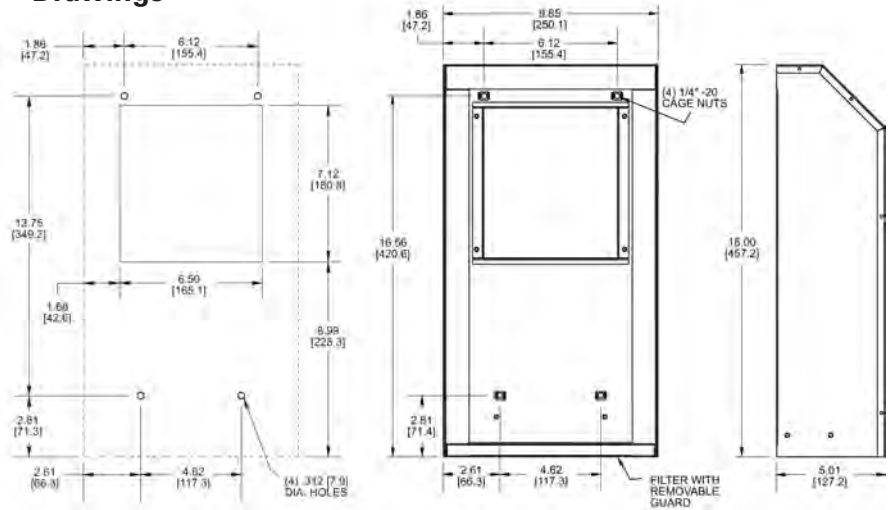
Standard Features

- Filter
- Integrated Sealing Gasket
- IP55 Filter Protection
- NEMA 4 or 4X Rating Maintained (if used with provided filter)
- Secure Mounting
- Stainless Steel Shell (NEMA 4X Models)
- Baked Powder Finish
- Washable, Reuseable Filter

Accessories & Options

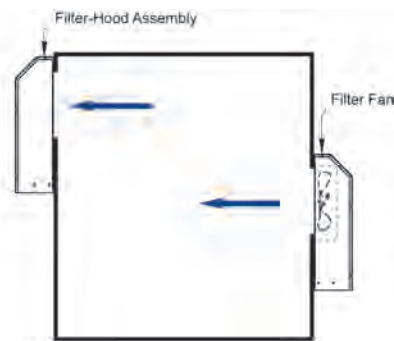
- Replacement Filters (P/N: 0429-01-01)

Drawings

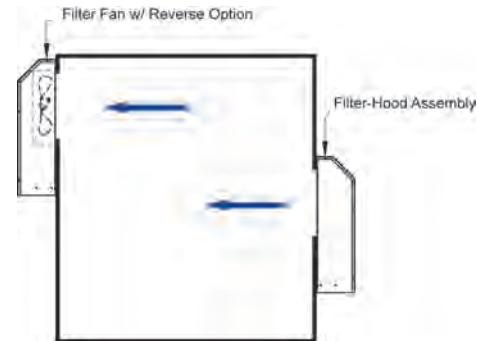


Typical Mounting Orientations

Blue arrows show direction of airflow. Boxes represent side view of electronics/electrical enclosure.



(Left) Filter Fan pressurizes cabinet.
Filter-Hood Assembly exhausts cabinet.



(Right) Filter Fan with reverse option chosen.

Notes: Data subject to change without notice.

Consult factory for special requirements. Dimensions are in inches. Millimeters shown in [] are for reference only.

Climate Control Products

NEMA 12 Filter Fans

Applications

- Industrial and Process Automation
- Packaging and Logistical Systems
- Energy (Solar, Wind, Water and Petrochemical)
- Telecommunications
- Defense Systems

Standards

- UL Recognized
- CSA Listed
- IP54 Rated
- IP55 Capable with Optional Filter
- Type 12

Product Options

- 5 Different Size Footprints for Flexibility
- CFM Range of 21 CFM - 585 CFM
- Voltage : 115VAC *
- Operating Temperature: 14°F (-10°C) to 140°F (60°C)
- All Models UV Resistant ABS blend; RAL 7035
- MTBF of 40,000 Hours
- All Units Functionally Tested Before Shipment
- New thinner profile increases equipment space
- All Units are reversible from a push to pull setup

* 230VAC, 460VAC, 12VDC, 24VDC, 48VDC are also available in most model numbers



Construction

- Snap in mounting that does not require hardware
- Simple adjustment of airflow reversal; push/pull
- Retention clips designed to accept wide range of enclosures
- Hinged cover design for easy filter replacement
- Spring loaded terminal blocks for reliable electrical connection
- Gasketing and user manuals provided

Accessories

- Grills
- Replacement filters

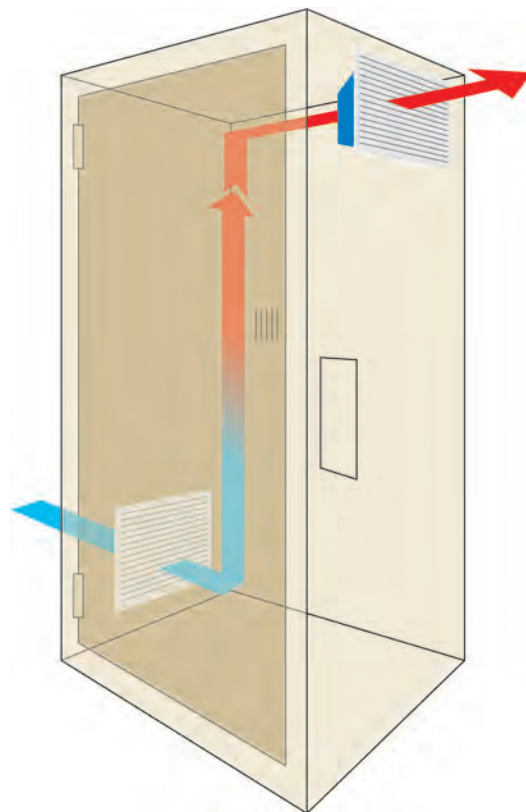
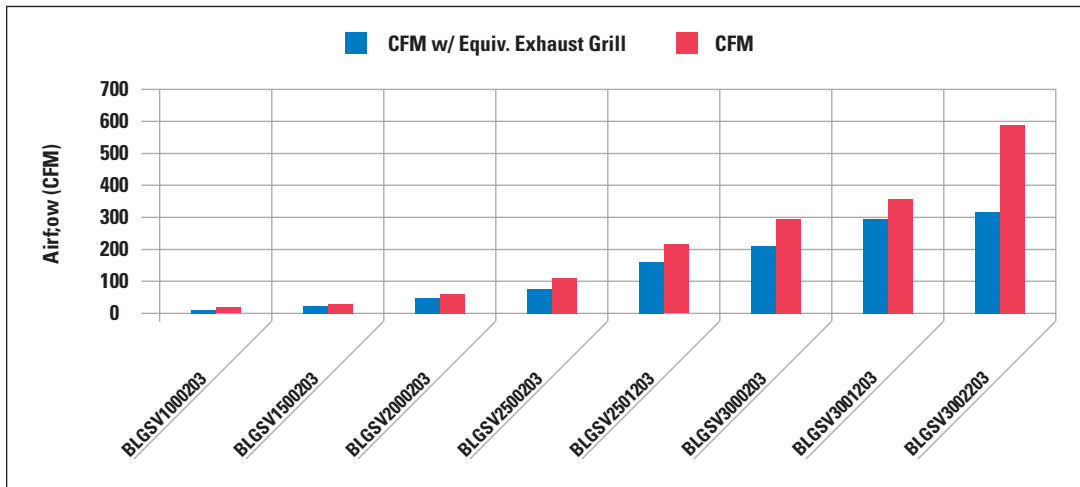


Illustration shows reverse/pull set-up.
Standard ambient set-up will push cooler
outside air into the enclosure.

Notes: Data subject to change without notice.
Consult factory for special requirements. Dimensions are in inches. Millimeters shown in () are for reference only.

NEMA 12 Filter Fans

Model	CFM w/ Equiv. Exhaust Grill	CFM	Rating	Description
BLGSV1000203	14	21	NEMA 12	4 1/2" Filter Fan 115VAC
BLGSV1500203	29	39	NEMA 12	6" Filter Fan 115VAC
BLGSV2000203	44	64	NEMA 12	8" Filter Fan 115VAC
BLGSV2500203	77	112	NEMA 12	10" Filter Fan 115VAC
BLGSV2501203	124	159	NEMA 12	10" Filter Fan 115VAC
BLGSV3000203	224	295	NEMA 12	12 1/2" Filter Fan 115VAC
BLGSV3001203	353	412	NEMA 12	12 1/2" Filter Fan 115VAC Ambient
BLGSV3002203	353	500	NEMA 12	12 1/2" Filter Fan 115VAC Ambient



NEMA 12 Grills

Model	Rating	Description
BLGSF10	NEMA 12	4 1/2" Filter Grill
BLGSF15	NEMA 12	6" Filter Grill
BLGSF20	NEMA 12	8" Filter Grill
BLGSF25	NEMA 12	10" Filter Grill
BLGSF30	NEMA 12	12 1/2" Filter Grill

NEMA 12 Replacement Filters

Model	Rating	Description
BLAVAFAGS10	NEMA 12	4 1/2" Replacement Filter (packed 10)
BLAVAFAGS15	NEMA 12	6" Replacement Filter (packed 10)
BLAVAFAGS20	NEMA 12	8" Replacement Filter (packed 10)
BLAVAFAGS25	NEMA 12	10" Replacement Filter (packed 10)
BLAVAFAGS30	NEMA 12	12 1/2" Replacement Filter (packed 10)

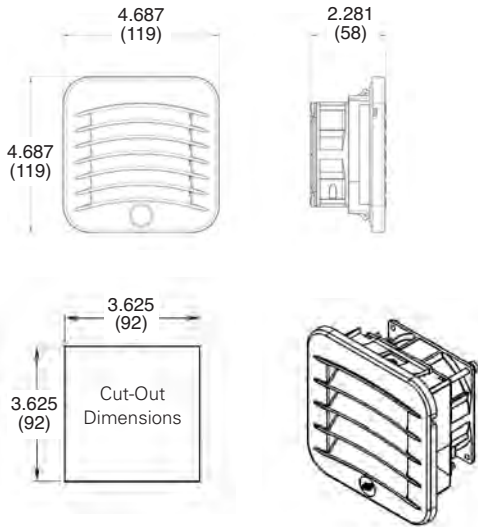
Notes: Data subject to change without notice.

Consult factory for special requirements. Dimensions are in inches. Millimeters shown in () are for reference only.

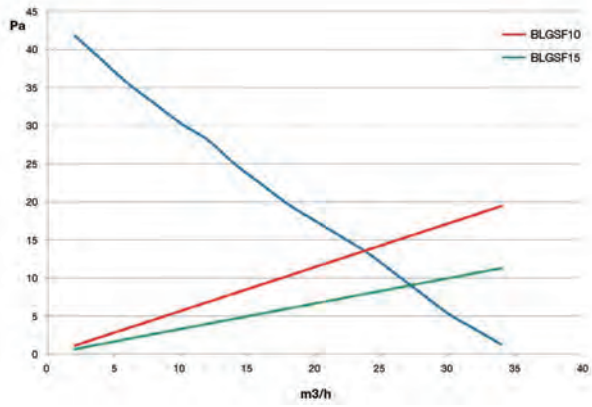
Climate Control Products

NEMA 12 Filter Fans

Model	Description
BLGSV1000203	4 1/2" Filter Fan 115VAC

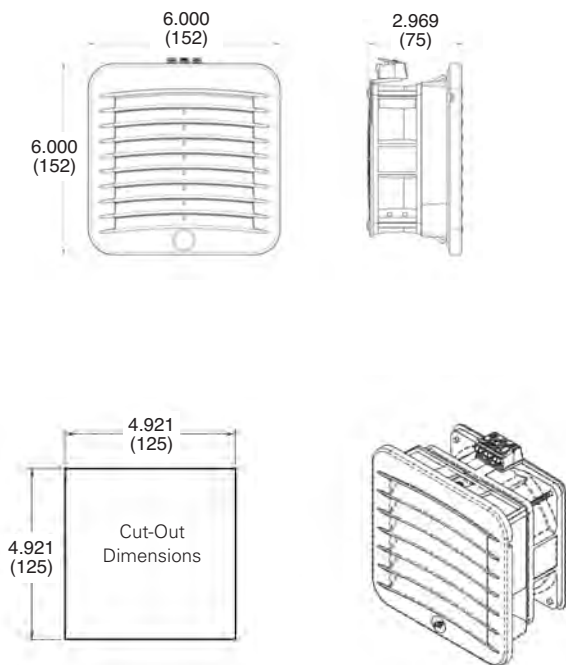


BLGSV1000203 - Performance Chart

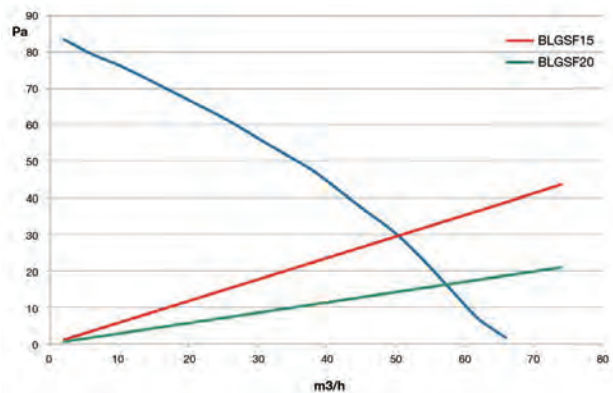


Climate Control

Model	Description
BLGSV1500203	6" Filter Fan 115VAC



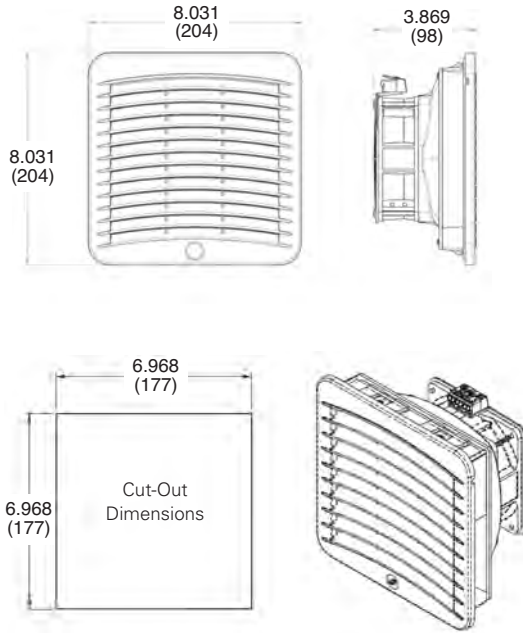
BLGSV1500203 - Performance Chart



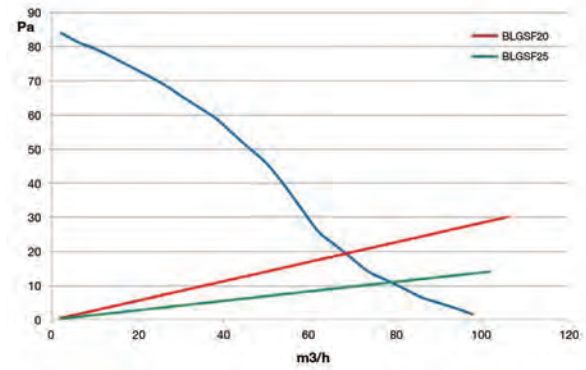
Notes: Data subject to change without notice.
Consult factory for special requirements. Dimensions are in inches. Millimeters shown in () are for reference only.

NEMA 12 Filter Fans

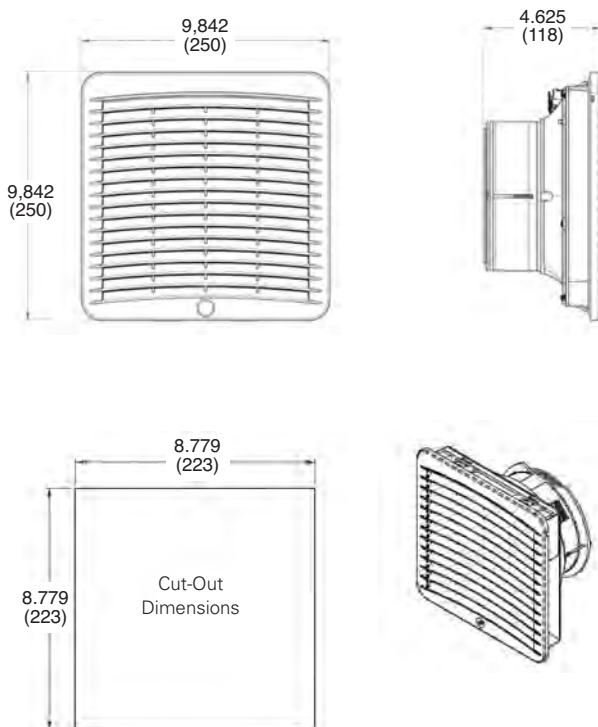
Model	Description
BLGSV2000203	8" Filter Fan 115VAC



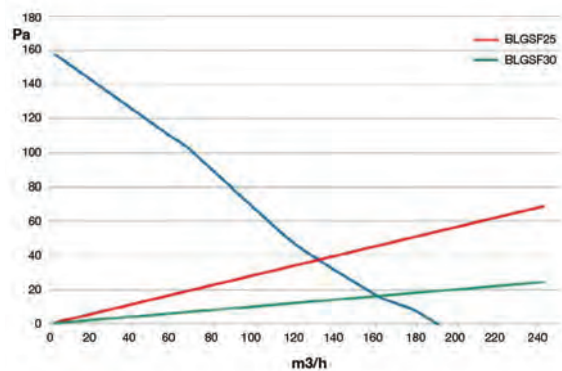
BLGSV2000203 - Performance Chart



Model	Description
BLGSV2500203	10" Filter Fan 115VAC



BLGSV2500203 - Performance Chart

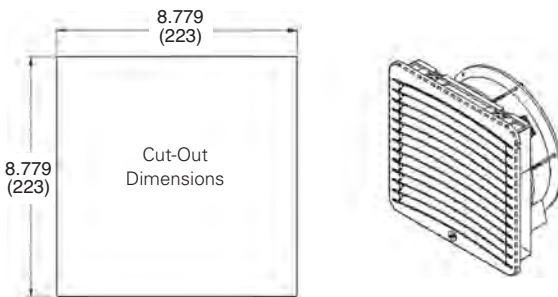
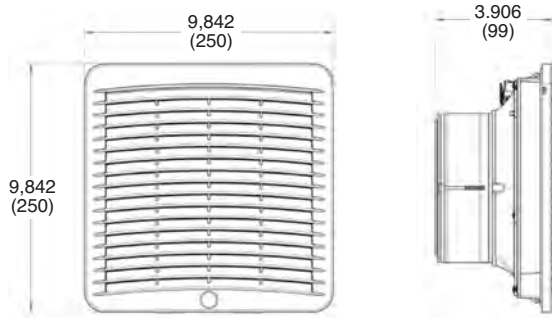


Notes: Data subject to change without notice.
Consult factory for special requirements. Dimensions are in inches. Millimeters shown in () are for reference only.

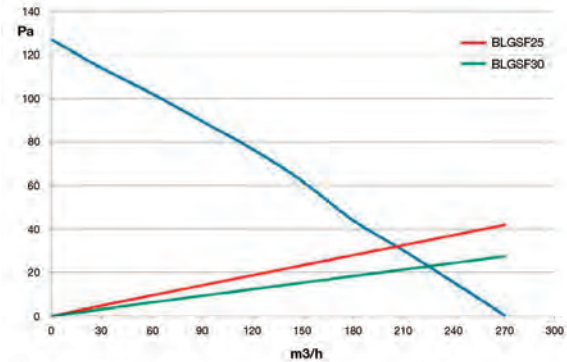
Climate Control Products

NEMA 12 Filter Fans

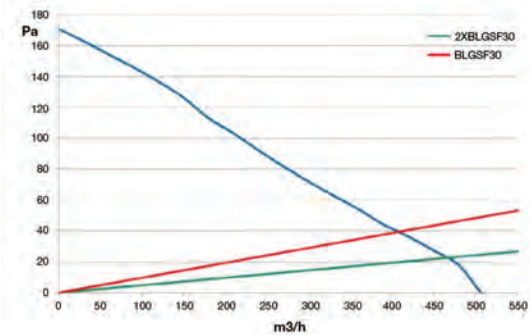
Model	Description
BLGSV2501203	10" Filter Fan 115VAC



BLGSV2501203 - Performance Chart

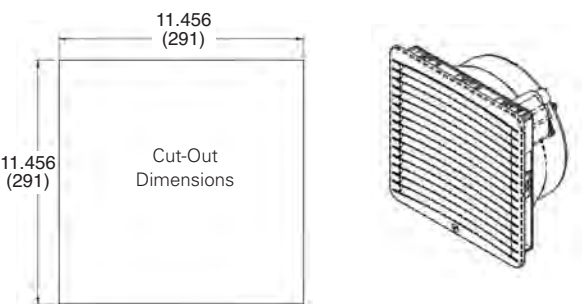
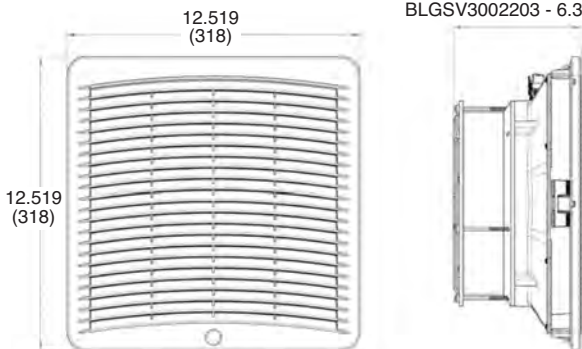


BLGSV3000203 - Performance Chart

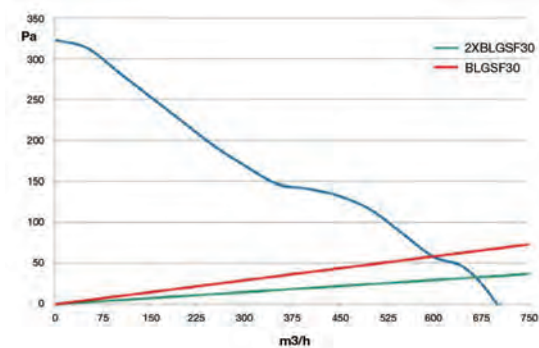


Model	Description
BLGSV3000203	12.5" Filter Fan 115VAC
BLGSV3001203	12.5" Filter Fan 115VAC Ambient
BLGSV3002203	12.5" Filter Fan 115VAC Ambient

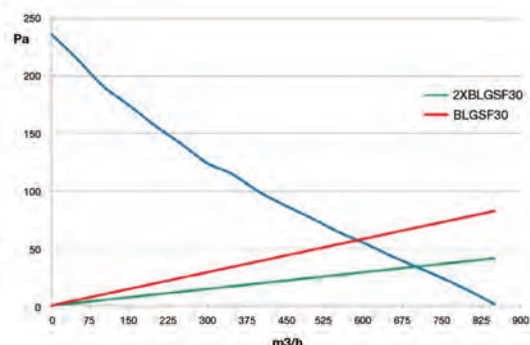
BLGSV3000203 - 5.469 (139)
 BLGSV3001203 - 5.312 (135)
 BLGSV3002203 - 6.312 (161)



BLGSV3001203 - Performance Chart



BLGSV3002203 - Performance Chart



Notes: Data subject to change without notice.
 Consult factory for special requirements. Dimensions are in inches. Millimeters shown in () are for reference only.

Heater Calculation Sheet

Climate Control

Enclosure Heaters are used to maintain minimum operating temperatures and to help prevent failure of electronic components caused by condensation and corrosion.

Follow steps 1-5 to determine the heating requirement of an enclosure (US units - left column, metric - right column)

STEP 1: Determine Surface Area (A) exposed to open air

Enclosure Dimensions: height = _____ feet _____ meters
 width = _____ feet _____ meters
 depth = _____ feet _____ meters

Assuming a free-standing enclosure $\Rightarrow A = 2 (\text{Height} \times \text{Width}) + 2 (\text{Height} \times \text{Depth}) + 2 (\text{Width} \times \text{Depth})$

$A = \text{_____ ft}^2$ or _____ m^2

STEP 2: Choose the Heat Transmission Coefficient (k) for your enclosure

painted steel = 0.511 W/(ft² • K) 5.5 W/(m² • K)
 stainless steel = 0.344 W/(ft² • K) 3.7 W/(m² • K)
 aluminum = 1.115 W/(ft² • K) 12 W/(m² • K)
 plastic (or insulated stainless) = 0.325 W/(ft² • K) 3.5 W/(m² • K)

$k = \text{_____ W/(ft}^2 \cdot \text{K)}$ or $\text{_____ W/(m}^2 \cdot \text{K)}$

STEP 3: Determine the Temperature Differential (ΔT)

Desired interior temperature = _____ °F _____ °C
 Lowest ambient temperature = _____ °F _____ °C
 Temperature differential = _____ °F _____ °C = K

↓

Calculation requires ΔT to be in Kelvin (K)

Divide ΔT (°F) by 1.8 for $\Delta T = \text{_____ K}$ or _____ K

STEP 4: Determine Heating Power (P_V), if any

P_V = components in the enclosure which generates heat (i.e. transformers, power supplies, etc.)

$P_V = \text{_____ W}$ or _____ W

STEP 5: Calculating the Required Heating Power (P_H)

If enclosure is located inside: $P_H = (A \times k \times \Delta T) - P_V = \text{_____ W}$

If enclosure is located outside: $P_H = 2 \times (A \times k \times \Delta T) - P_V = \text{_____ W}$

Notes: Data subject to change without notice.
 Consult factory for special requirements. Dimensions are in inches. Millimeters shown in () are for reference only.

Climate Control Products

Heaters PTC Fan Heaters Climate Control



Description

PTC fan heaters are designed to help prevent failure of electronic components caused by condensation, corrosion and low temperatures. Integrated thermostat stabilizes enclosure temperature, improves performance and extends the life of critical components. EFHT series fan heaters are designed for larger applications with high power requirements.

Features

- Compact fan heater in PTC technology
- PTC (Positive Temperature Coefficient) heating element
- Maintains minimum operating temperatures in enclosures
- Helps prevent failure of electronic components caused by condensation and corrosion
- Heating power adjusts to ambient temperature
- Integrated adjustable thermostat and control light
- 35 mm DIN rail mountable
- UL, VDE, and CE

Discount Schedule: C2

Subclass: TGO

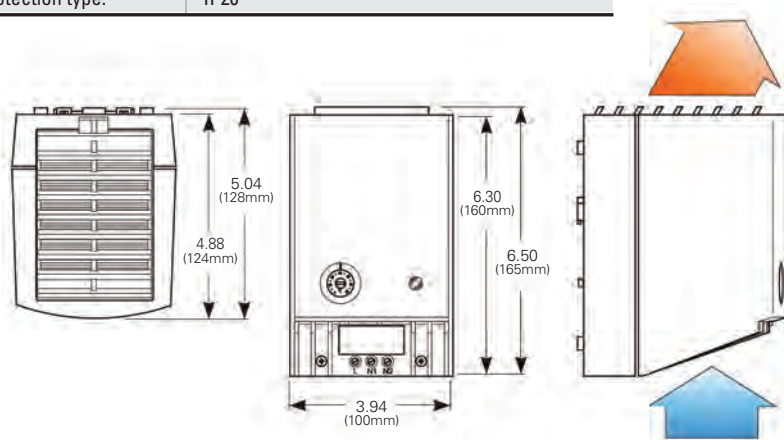
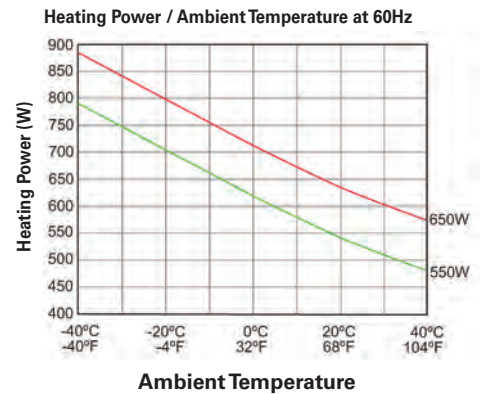


Catalog Number	Voltage	Power	Max. current (inrush)	Axial Fan (ball bearing)	Thermostat range	Weight	
						lbs	kg
EFHT550F-120	110-120 VAC	550 W (60 Hz)	14 A	20 cfm (35 m ³ /h)	32-140°F	2	0.9
EFHT650F-120	110-120 VAC	650 W (60 Hz)	15 A	26 cfm (45 m ³ /h)	32-140°F	2.4	1.1

Technical Data

Heating element:	PTC-Semiconductor/resistor. Self regulating with changing ambient temperature (see graph below)
Overheat protection:	Temperature limiter in case of fan failure
Function control light:	LED
Housing:	Plastic, rated UL94V-0
Dimensions (HxWxD):	6.5x3.94x5" (165x100x128 mm)
Connection:	2 pole terminal, AWG 14, max. (2.5 mm ²)
Mounting:	Clip for 35 mm DIN rail, EN 50022
Protection class:	II (double insulated)
Protection type:	IP20

For spacing, add 2" clearance to heat sensitive parts.



Notes: Data subject to change without notice.

Consult factory for special requirements. Dimensions are in inches. Millimeters shown in () are for reference only.

Heaters PTC Heater Climate Control



Description

PTC heaters are designed to help prevent failure of electronic components caused by condensation, corrosion and low temperatures. EH15 series feature PTC technology and are designed for smaller enclosure applications with lower wattage requirements.

Features

- Compact heater in PTC technology
- PTC (Positive Temperature Coefficient) heating element
- Maintains minimum operating temperatures in enclosures
- Helps to prevent failure of electronic components caused by condensation and corrosion
- Push connectors for quick and easy wiring
- 35 mm DIN rail mountable
- UL, VDE, and CE

Discount Schedule: C2

Subclass: TG0



Catalog Number	Power ⁽¹⁾	Max. Current ⁽²⁾	L		Weight	
			in.	mm	lbs	kg
EH15	15W	0.5A	2.6	65	0.66	0.3
EH30	30W	1.0A	2.6	65	0.66	0.3
EH45	45W	1.0A	2.6	65	0.66	0.3
EH60	60W	1.5A	5.5	140	1.10	0.5
EH75	75W	1.8A	5.5	140	1.10	0.5
EH100	100W	2.4A	5.5	140	1.10	0.5
EH150	150W	4.5A	8.7	220	1.76	0.8

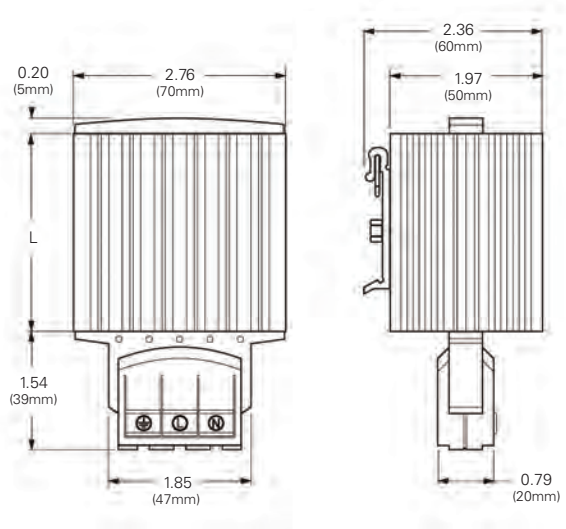
⁽¹⁾ At 68°F (20°C) ambient temperature. ⁽²⁾ Inrush current

Climate Control

Technical Data	
Operating voltage:	AC/DC 110-250V
Heating element:	PTC resistor, self regulating
Heating body:	Anodized extruded aluminum
Protection class:	I, test voltage 1600V
Protection type:	IP20
Connection:	Push type terminals for stranded and rigid wire 3 x AWG 20-AWG 16 (0.5-2.5 mm ²)
Mounting:	Clip for 35 mm DIN rail, EN 50022
Agency approvals:	UL, VDE



Easy wiring by using push-type terminals



Notes: Data subject to change without notice.
Consult factory for special requirements. Dimensions are in inches. Millimeters shown in () are for reference only.

Climate Control Products

Heaters Fan Heaters Climate Control



Shown: EFH100

Description

Fan heaters are designed to help prevent failure of electronic components caused by condensation, corrosion and low temperature. EFH100-120 series feature a wide wattage range for maximum versatility in a small compact design.

Features

- Small compact size fan heater
- Maintains minimum operating temperatures in enclosures
- Helps prevent failure of electronic components caused by condensation and corrosion
- Built-in overheat protection
- 35 mm DIN rail mountable

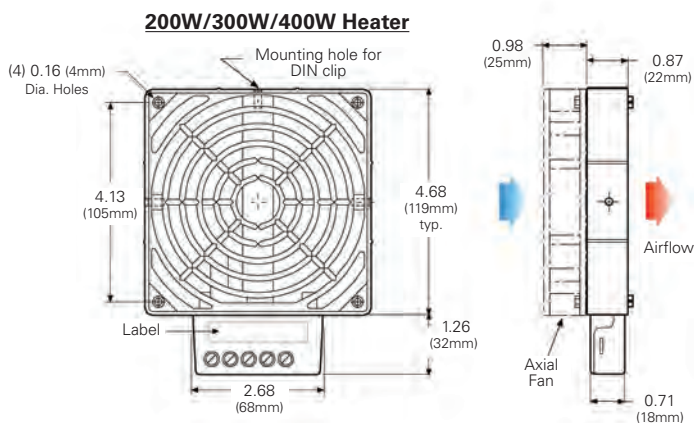
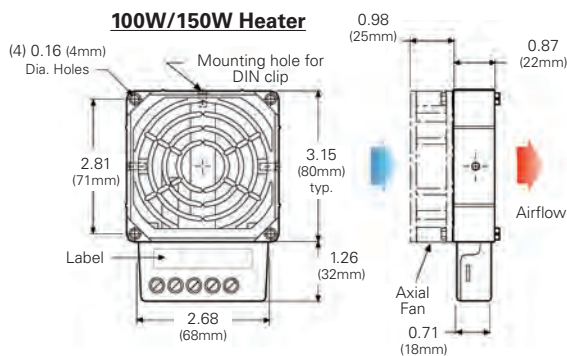
Discount Schedule: C2

Subclass: TGO

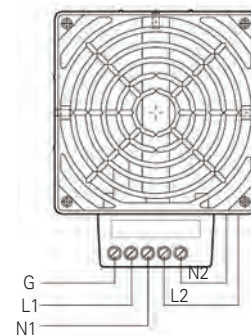


Catalog Number	Power	Voltage	Air Flow	
			cfm min.	m ³ /h min.
EFH100-120	100W	110-120 VAC	20	35
EFH150-120	150W	110-120 VAC	20	35
EFH200-120	200W	110-120 VAC	63	108
EFH300-120	300W	110-120 VAC	63	108
EFH400-120	400W	110-120 VAC	63	108

Climate Control



Technical Data	
Heating element:	Resistance type heater
Heat sink:	Die-cast aluminum, glass bead finish
Overheat protection:	Built-in temperature limiter
Air exit temperature:	Approx. 113°F (45°C) 2" (50 mm) above heater
Wiring compartment:	Plastic UL94V-0
Wiring of axial fan:	2 pole terminal (L2/N2), AWG14 max. (2.5 mm ²)
Mounting:	Clip for 35 mm DIN rail, EN 50022
Protection type/class:	IP44/I (grounded)
Weight:	100/150W: 0.6 lbs. (240 kg) without fan 200/300/400W: 1.1 lbs. (490 kg) without fan
Agency approvals:	UL



Caution: Heater may only be operated with fan.

Notes: Data subject to change without notice.

Consult factory for special requirements. Dimensions are in inches. Millimeters shown in () are for reference only.

Temperature & Humidity Controls Small Thermostat Climate Control



Description

Small thermostats are easy to install and designed to regulate the air temperature inside enclosures. Thermostats increase operating life of fans, heaters and heat exchangers. ESTNC-F (normally closed) thermostat opens at temperature rise and is used to control heaters and low temperature alarms. ESTNO-F (normally open) thermostat closes at temperature rise and is used to control cooling fans, air conditioners and high temperature alarms.

Features

- Compact design
- Wide adjustment range
- Color coded temperature dials
- 35 mm DIN rail mountable
- Tolerance $\pm 7.2^{\circ}\text{F}$ (4K)
- 2-pole terminal for AWG 14 max.
- Protection type: IP30
- Plastic housing UL94V-0

Discount Schedule: C2
Subclass: TGO



Catalog Number	Contact Type	Switching Capacity @ 120 VAC	Switching Capacity @ 250 VAC	Housing Scale	Dimensions	
					in	mm
ESTNC-F	Normally closed	15A resistive/1A inductive	10A resistive/1A inductive	30-140°F	2.4x1.3x1.4	60x33x35
ESTNO-F	Normally opened	15A resistive/1A inductive	10A resistive/1A inductive	30-140°F	2.4x1.3x1.4	60x33x35

Electronic Humidity and Temperature Control



Description

Electronic humidity and temperature control regulates the air temperature and relative humidity inside enclosures. Depending on which contact combination is chosen, the control turns on or off a connected device if either the temperature is below, or the humidity is above the set point.

Features

- Controls both temperature and humidity
- High switching capacity
- Optical function display
- 35 mm DIN rail mountable
- Tolerance $\pm 3.6^{\circ}\text{F}$ (2k)
- 5-pole terminal for AWG 14 max.
- Protection type: IP20
- Plastic housing UL94V-0

Discount Schedule: C2
Subclass: TGO



Catalog Number	Temperature Range	Humidity Range	Voltage	Hz	Switching Capacity @ 120 VAC	Switching Capacity @ 240 VAC	Dimensions	
							in.	mm
EHTC120-F	32-140°F adjustable	50-90% RH adjustable	120 VAC	50/60	8A Resistive 7 FLA/45 LRA	8A Resistive 5 FLA/30 LRA	2.6x2.0x1.5	67x50x39

Contacts	close at...	open at...	use for
3 and 5	humidity rise or temperature drop	humidity drop or temperature rise	heaters de-humidifiers low-temp alarms
4 and 5	humidity drop or temperature rise	humidity rise or temperature drop	cooling humidifiers high-temp alarms

Notes: Data subject to change without notice.
Consult factory for special requirements. Dimensions are in inches. Millimeters shown in () are for reference only.

Climate Control Products



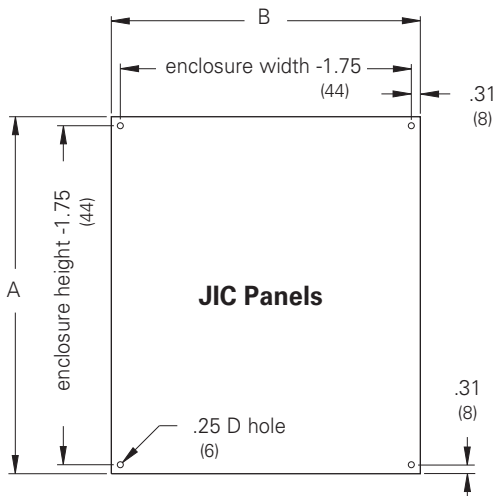
Panels	
JIC & Small Panels, RHC Panels, Type 1 Medium Panels, NEMA Panels, JIC Perforated Panels, Medium Perforated Panels, Flanged Panels, Wood Back Panels,	406-413
Panel Accessories - JIC & NEMA Swing Panel Kits, Panel Supports, Lifting Hooks	414-416
Window Kits - Fixed & Hinged	417-418
Door Accessories - Door Stops & Print Pockets	418
Locks, Latches, Inserts, Handles, Clamps	
Locks, Latches, Inserts, & Handles	419-429
Clamp Kits, Padlock Kit	430-432
Bolt-On Accessories	
Folding Shelf Kit & Gland Plates, Floor Stand Kit & Stabilizer	433-434
Louver Plate Kits, Filters, & Filter Adhesive	435-436
Baffle Plates & Hole Seals, Drip Shields & Casters, Barriers, Component Mounting Device	437-440
Electrical Accessories	
JIC & NEMA Terminal Strap & Block Strip Kits	441-443
Terminal Blocks - Channel Mounted & Flat Base, Terminal Strap Support	444-446
Enclosure Lights & Interlocks	446-448
Door Switch & Receptacles	449-450
Disconnect Adapter Kits & Blank Adapter Plates	451
Columns & Bases	452-453
Hardware	
Hardware Packages, Ground Lug & Devices, Sealing Devices, Clamping Nuts, Touch-Up Paint	454-456

Panels & Panel Accessories JIC & Small Panels Illustration Sheet and Catalog Number

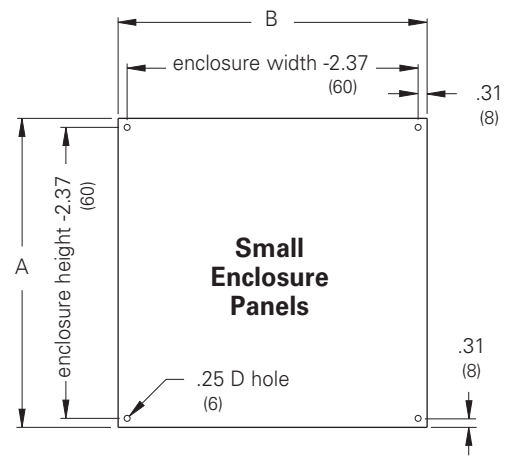
Discount Schedule: C2; A2
Subclass: DSA - JIC
DSE - Small Enclosure

JIC Flat Panel Catalog Number				A		B		Gauge	Fits Enclosure	
Painted Steel	Galvanized Steel	Stainless	Aluminum	in.	mm	in.	mm		Height	Width
AW64P	AW64GP	AW64SP	AW64AP	4.87	124	2.87	73	14	6.00x4.00	152x102
AW66P	AW66GP	AW66SP	AW66AP	4.87	124	4.87	124	14	6.00x6.00	152x152
AW86P	AW86GP	AW86SP	AW86AP	6.87	174	4.87	124	14	8.00x6.00	203x152
AW88P	AW88GP	AW88SP	AW88AP	6.87	174	6.87	174	14	8.00x8.00	203x203
AW108P	AW108GP	AW108SP	AW108AP	8.87	225	6.87	174	14	10.00x8.00	254x203
AW1010P	AW1010GP	AW1010SP	AW1010AP	8.87	225	8.87	225	14	10.00x10.00	254x254
AW126P	-	-	-	10.87	276	4.87	124	14	12.00x6.00	305x152
AW1210P	AW1210GP	AW1210SP	AW1210AP	10.87	276	8.87	225	14	12.00x10.00	305x254
AW1212P	AW1212GP	AW1212SP	AW1212AP	10.87	276	10.87	276	14	12.00x12.00	305x305
AW148P	-	-	-	12.87	327	6.87	174	14	14.00x8.00	356x203
AW1412P	AW1412GP	AW1412SP	AW1412AP	12.87	327	10.87	276	14	14.00x12.00	356x305
AW1610P	-	-	-	14.87	378	8.87	225	14	16.00x10.00	406x254
AW1614P	AW1614GP	AW1614SP	AW1614AP	14.87	378	12.87	327	14	16.00x14.00	406x356

Small Enclosure Flat Panel Catalog Number	A		B		Gauge	Fits Enclosure Height x Width	
	in.	mm	in.	mm		in.	mm
N66P	4.25	108	4.25	108	14	6.00x6.00	152x152
N86P	6.25	159	4.25	108	14	8.00x6.00	203x152
N88P	6.25	159	6.25	159	14	8.00x8.00	203x203
N108P	8.25	210	6.25	159	14	10.00x8.00	254x203
N1010P	8.25	210	8.25	210	14	10.00x10.00	254x254
N1210P	10.25	260	8.25	210	14	12.00x10.00	305x254
N1212P	10.25	260	10.25	260	14	12.00x12.00	305x305
N1412P	12.25	360	10.25	260	14	14.00x12.00	356x305
N2012P	18.25	463	10.25	260	14	20.00x12.00	508x305



JIC panels can be installed in all types of JIC Enclosures. Some sizes will fit the NEMA 12 Lay-In Wireway Junction Box. Panels are available in steel, galvanized steel, stainless and aluminum. Painted steel panels have a white powder finish. Stainless steel and aluminum panels have a smooth brushed finish on one side and protected with PVC film.



Small Enclosure panels can be installed in Small Type 3R RHC and Small Type 1 Enclosures. Panels are only available in steel, and have a white powder finish.

Notes: Dimensions are in inches. Millimeters shown are for reference only. Data subject to change without notice.

Panels & Panel Accessories

RHC Panels

Illustration Sheet and Catalog Number



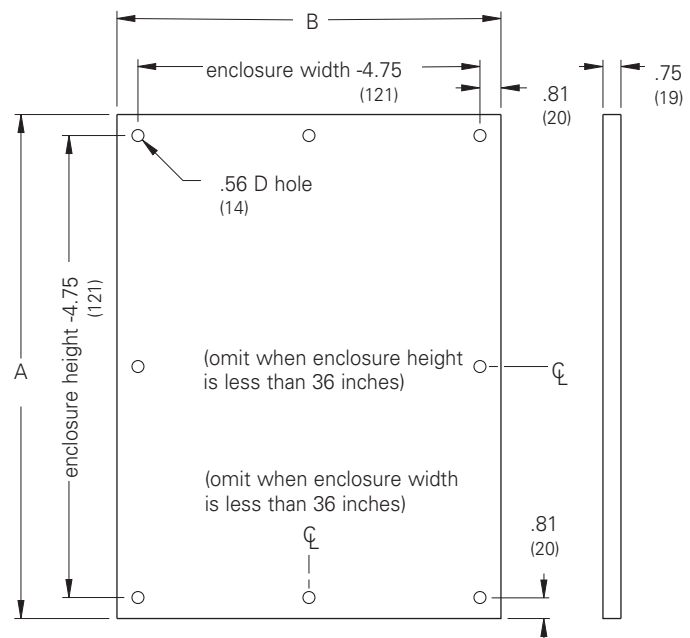
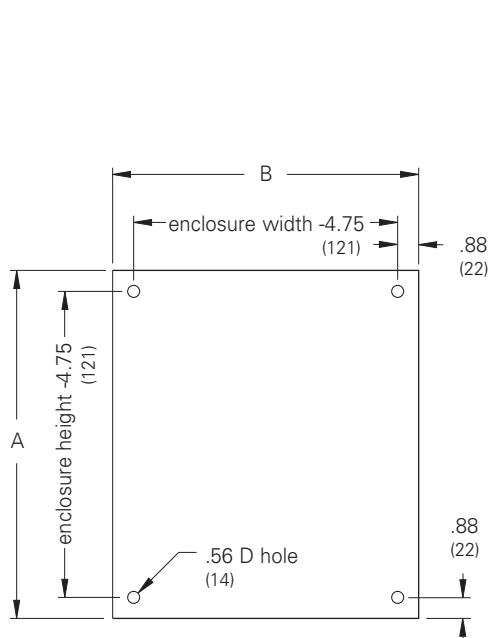
Discount Schedule: C2

Subclass: DSE

Flat Panel Catalog Number	A		B		Gauge	Fits Enclosure	
	in.	mm	in.	mm		Height in.	Width mm
N1612P	13.00	330	9.00	229	12	16.00x12.00	406x305
N1616P	13.00	330	13.00	330	12	16.00x16.00	406x406
N1818P	15.00	381	15.00	381	12	18.00x18.00	457x457
N2016P	17.00	432	13.00	330	12	20.00x16.00	508x406
N2020P	17.00	432	17.00	432	12	20.00x20.00	508x508

Flanged Panel Catalog Number	A		B		Gauge	Fits Enclosure	
	in.	mm	in.	mm		Height in.	Width mm
N2420P	20.87	530	16.87	428	12	24.00x20.00	610x508
N2424P	20.87	530	20.87	530	12	24.00x24.00	610x610
N3024P	26.87	682	20.87	530	12	30.00x24.00	762x610
N3624P	32.87	835	20.87	530	12	36.00x24.00	914x610
N3030P	26.87	682	26.87	682	12	30.00x30.00	762x762
N3630P	32.87	835	26.87	682	12	36.00*x30.00*	914x762
N4230P	38.87	987	26.87	682	12	42.00*x30.00*	1067x762
N4830P	44.87	1140	26.87	682	12	48.00*x30.00*	1219x762
N3636P	32.87	835	32.87	835	12	36.00x36.00	914x914
N4236P	38.87	987	32.87	835	12	42.00*x36.00*	1067x914
N4836P	44.87	1140	32.87	835	12	48.00*x36.00*	1219x914
N6036P	56.87	1444	32.87	835	12	60.00x36.00	1524x914

* Panel also fits these enclosures when height and width dimensions are reversed.



RHC Flat Panels can be installed in Large Type 3R RHC Enclosures. Panels are only available in steel and have a white powder paint finish.

RHC Flat Panels

RHC Flanged Panels can be installed in Large Type 3R RHC Enclosures. Panels are only available in steel and have a white powder paint finish.

RHC Flanged Panels

Notes: Dimensions are in inches. Millimeters shown are for reference only. Data subject to change without notice.

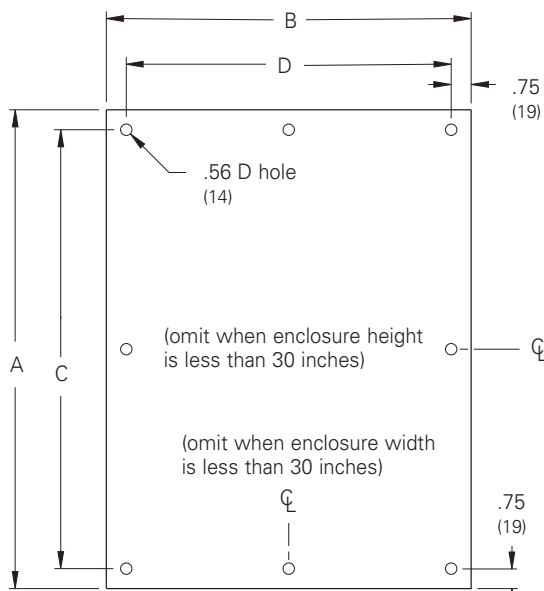
Panels & Panel Accessories Type 1 Medium Enclosure & NEMA Flat Panels Illustration Sheet and Catalog Number

Discount Schedule: C2
Subclass: DSF - Type 1 Medium
DSB - NEMA

Type 1 Medium Enclosure Flat Panel Catalog Number	A		B		C		D		Gauge	Fits Enclosure Height x Width	
	in.	mm	in.	mm	in.	mm	in.	mm		in.	mm
AW1612-1P	13.00	330	10.50	267	11.50	292	9.00	228	14	16.00x12.00	406X305
AW1616-1P	13.00	330	14.50	368	11.50	292	13.00	330	14	16.00x16.00	406X406
AW1620-1P	13.00	330	18.50	470	11.50	292	17.00	432	14	16.00x20.00	406X508
AW2016-1P	17.00	432	14.50	368	15.50	394	13.00	330	14	20.00x16.00	508X406
AW2020-1P	17.00	432	18.50	470	15.50	394	17.00	432	14	20.00x20.00	508X508
AW2024-1P	17.00	432	22.50	572	15.50	394	21.00	533	14	20.00x24.00	508X610
AW2416-1P	21.00	533	14.50	368	19.50	495	13.00	330	14	24.00x16.00	610X406
AW2420-1P	21.00	533	18.50	470	19.50	495	17.00	432	14	24.00x20.00	610X508
AW2424-1P	21.00	533	22.50	572	19.50	495	21.00	533	14	24.00x24.00	610X610
AW3020-1P	26.00	660	18.50	470	24.50	622	17.00	432	14	30.00x20.00	762X508
AW3024-1P	26.00	660	22.50	572	24.50	622	21.00	533	14	30.00x24.00	762X610
AW3030-1P	26.00	660	28.50	724	24.50	622	27.00	686	14	30.00x30.00	762X762
AW3624-1P	32.00	813	22.50	572	30.50	775	21.00	533	14	36.00x24.00	914X610
AW3630-1P	32.00	813	28.50	724	30.50	775	27.00	686	14	36.00x30.00	914X762
AW4224-1P	38.00	965	22.50	572	36.50	927	21.00	533	14	42.00x24.00	1067X610

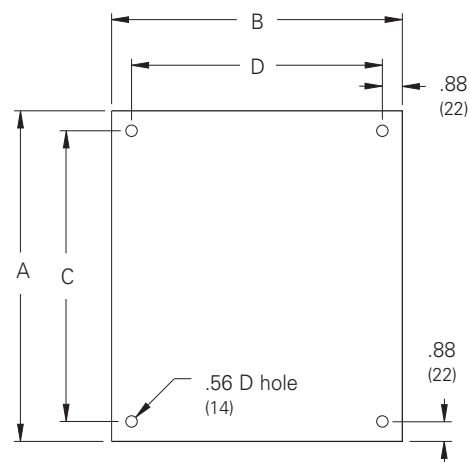
NEMA Flat Panel Catalog Number				A		B		C		D		Gauge	Fits Enclosure Height x Width	
Painted Steel	Galvanized Steel	Stainless	Aluminum	in.	mm	in.	mm	in.	mm	in.	mm		in.	mm
AW1612P	AW1612GP	AW1612SP	AW1612AP	13.00	330	9.00	229	11.25	286	7.25	184	12	16.00x12.00	406x305
AW1616P	AW1616GP	AW1616SP	AW1616AP	13.00	330	13.00	330	11.25	286	11.25	286	12	16.00x16.00	406x406
AW2012P	-	-	-	17.00	432	9.00	229	15.25	387	7.25	184	12	20.00x12.00	508x305
AW2016P	AW2016GP	AW2016SP	AW2016AP	17.00	432	13.00	330	15.25	387	11.25	286	12	20.00*x16.00*	508x406
AW2020P	AW2020GP	AW2020SP	AW2020AP	17.00	432	17.00	432	15.25	387	15.25	387	12	20.00x20.00	508x508
AW2412P	-	AW2412SP	-	21.00	533	9.00	229	19.25	489	7.25	184	12	24.00*x12.00*	610x305
AW2416P	AW2416GP	AW2416SP	AW2416AP	21.00	533	13.00	330	19.25	489	11.25	286	12	24.00x16.00	610x406

* Panel also fits these enclosures when height and width dimensions are reversed.



Type 1 medium enclosure panels can be installed in Type 1 medium panel enclosures. Panels are only available in steel and have a white powder paint finish.

Type 1 Medium Enclosure Panels



NEMA flat panels can be installed in Type 4X, Type 4 and Type 12 NEMA Enclosures. Panels are available in steel, galvanized steel, stainless steel, and aluminum. Painted steel panels have a white powder paint finish. Stainless steel and aluminum panels have a smooth brushed finish on one side and protected with PVC film.

NEMA Flat Panels

Notes: Dimensions are in inches. Millimeters shown are for reference only. Data subject to change without notice.

Panels & Panel Accessories JIC & Small Enclosure Perforated Panels Illustration Sheet and Catalog Number

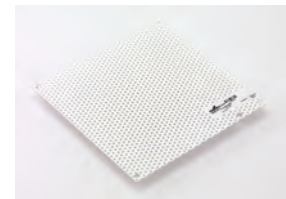
Discount Schedule: C2; A2
Subclass: DSG

Catalog Number	A		B		Gauge	Fits Enclosure Height x Width	
	in.	mm	in.	mm		in.	mm
AW64PP	4.87	124	2.87	73	16	6.00x4.00	152x102
AW66PP	4.87	124	4.87	124	16	6.00x6.00	152x152
AW86PP	6.87	174	4.87	124	16	8.00x6.00	203x152
AW88PP	6.87	174	6.87	174	16	8.00x8.00	203x203
AW108PP	8.87	225	6.87	174	16	10.00x8.00	254x203
AW1010PP	8.87	225	8.87	225	16	10.00x10.00	254x254
AW126PP	10.87	276	4.87	124	16	12.00x6.00	305x152
AW1210PP	10.87	276	8.87	225	16	12.00x10.00	305x254
AW1212PP	10.87	276	10.87	276	16	12.00x12.00	305x305
AW148PP	12.87	327	6.87	174	16	14.00x8.00	356x203
AW1412PP	12.87	327	10.87	276	16	14.00x12.00	356x305
AW1610PP	14.87	378	8.87	225	16	16.00x10.00	406x254
AW1614PP	14.87	378	12.87	327	16	16.00x14.00	406x356

Panels are available in steel and have a white powder paint finish.

Catalog Number	A		B		Gauge	Fits Enclosure Height x Width	
	in.	mm	in.	mm		in.	mm
N66PP	4.25	108	4.25	108	16	6.00x6.00	152x152
N86PP	6.25	159	4.25	108	16	8.00x6.00	203x152
N88PP	6.25	159	6.25	159	16	8.00x8.00	203x203
N108PP	8.25	210	6.25	159	16	10.00x8.00	254x203
N1010PP	8.25	210	8.25	210	16	10.00x10.00	254x254
N1210PP	10.25	260	8.25	210	16	12.00x10.00	305x254
N1212PP	10.25	260	10.25	260	16	12.00x12.00	305x305
N1412PP	12.25	360	10.25	260	16	14.00x12.00	356x305
N2012PP	18.25	463	10.25	260	16	20.00x12.00	508x305

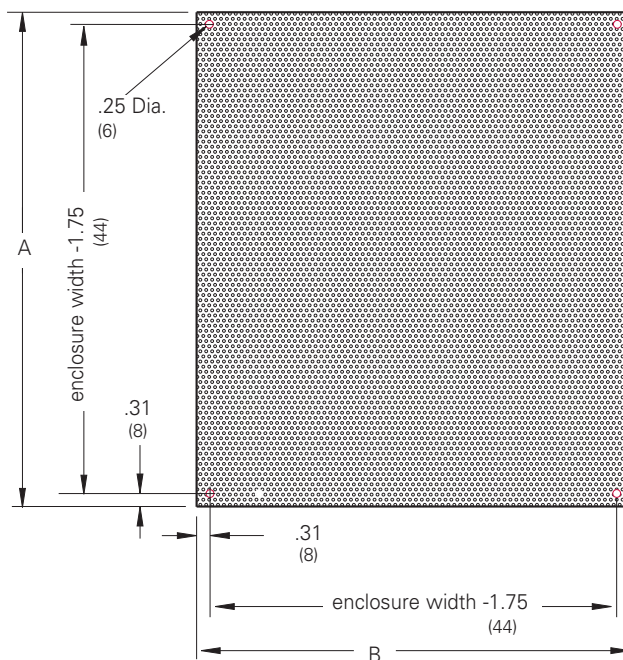
Panels are available in steel and have a white powder paint finish.



Hardware Packages

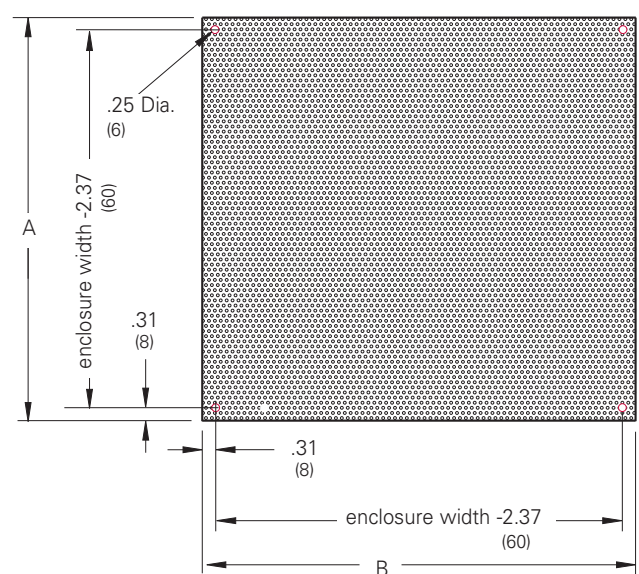
Catalog Number	Description	Typical Use	Quantity
10168	#8-32 x .375 inch self tap steel screw	NEMA 1 & JIC perforated panels	20

JIC Enclosure Perforated Panels



JIC perforated panels can be installed in all types of JIC Enclosures, and are intended for mounting lightweight components without drilling and tapping.

Small Enclosure Perforated Panels



Small enclosure perforated panels can be installed in small Type 3R RHC, and small Type 1 Enclosures, and are intended for mounting lightweight components without drilling and tapping.

.125
(3)

60°

Notes: Dimensions are in inches. Millimeters shown are for reference only. Data subject to change without notice.

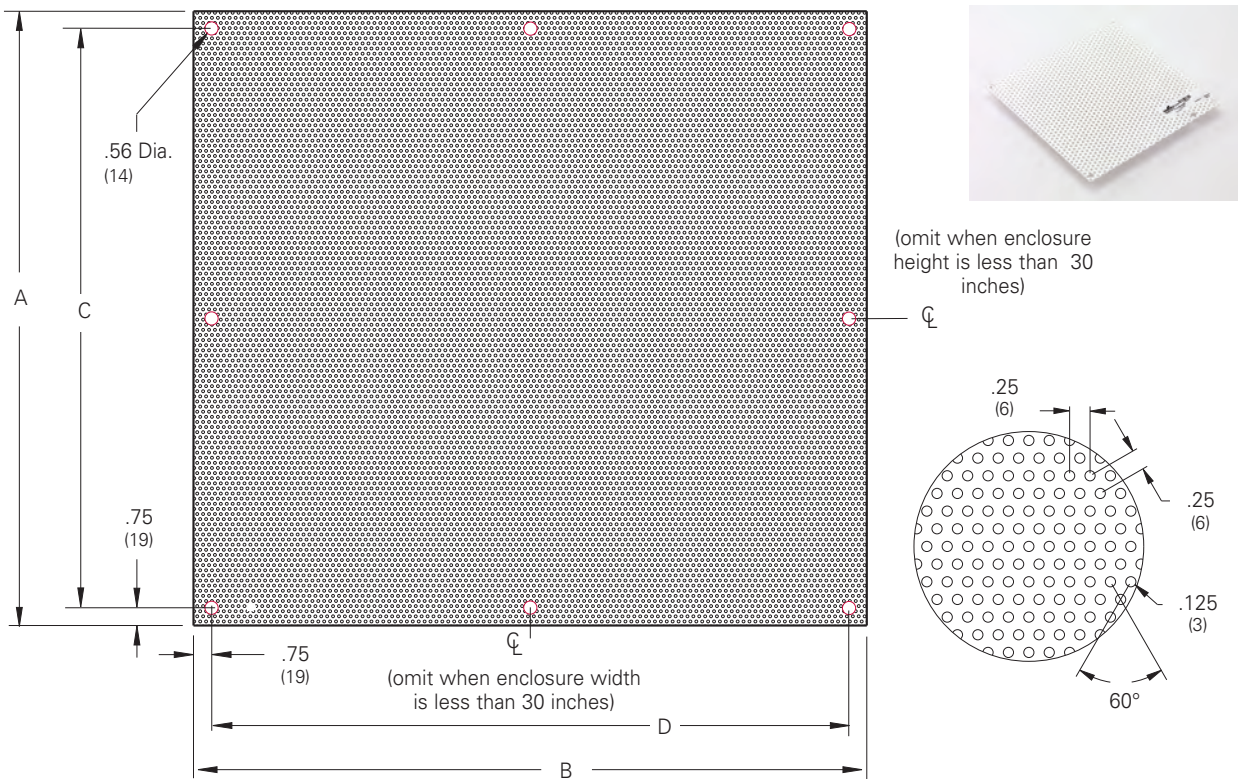
Panels & Panel Accessories Medium Perforated Panels Illustration Sheet and Catalog Number

Discount Schedule: C2
Subclass: DSG

Type 1 Medium Enclosure Flat Perforated Panel Catalog Number	A		B		C		D		Gauge	Fits Enclosure Height x Width	
	in.	mm	in.	mm	in.	mm	in.	mm		in.	mm
AW1612-1PP	13.00	330	10.50	267	11.50	292	9.00	228	16	16.00x12.00	406X305
AW1616-1PP	13.00	330	14.50	368	11.50	292	13.00	330	16	16.00x16.00	406X406
AW1620-1PP	13.00	330	18.50	470	11.50	292	17.00	432	16	16.00x20.00	406X508
AW2016-1PP	17.00	432	14.50	368	15.50	394	13.00	330	16	20.00x16.00	508X406
AW2020-1PP	17.00	432	18.50	470	15.50	394	17.00	432	16	20.00x20.00	508X508
AW2024-1PP	17.00	432	22.50	572	15.50	394	21.00	533	16	20.00x24.00	508X610
AW2416-1PP	21.00	533	14.50	368	19.50	495	13.00	330	16	24.00x16.00	610X406
AW2420-1PP	21.00	533	18.50	470	19.50	495	17.00	432	16	24.00x20.00	610X508
AW2424-1PP	21.00	533	22.50	572	19.50	495	21.00	533	16	24.00x24.00	610X610
AW3020-1PP	26.00	660	18.50	470	24.50	622	17.00	432	16	30.00x20.00	762X508
AW3024-1PP	26.00	660	22.50	572	24.50	622	21.00	533	16	30.00x24.00	762X610
AW3030-1PP	26.00	660	28.50	724	24.50	622	27.00	686	16	30.00x30.00	762X762
AW3624-1PP	32.00	813	22.50	572	30.50	775	21.00	533	16	36.00x24.00	914X610
AW3630-1PP	32.00	813	28.50	724	30.50	775	27.00	686	16	36.00x30.00	914X762
AW4224-1PP	38.00	965	22.50	572	36.50	927	21.00	533	16	42.00x24.00	1067X610

Hardware Packages

Catalog Number	Description	Typical Use	Quantity
10168	#8-32 x .375 inch self tap steel screw	NEMA 1 & JIC perforated panels	20



Type 1 medium enclosure perforated panels can be installed in Type 1 Medium Panel Enclosures. Panels are available in steel and have a white powder paint finish.

Type 1 Medium Enclosure Perforated Panels

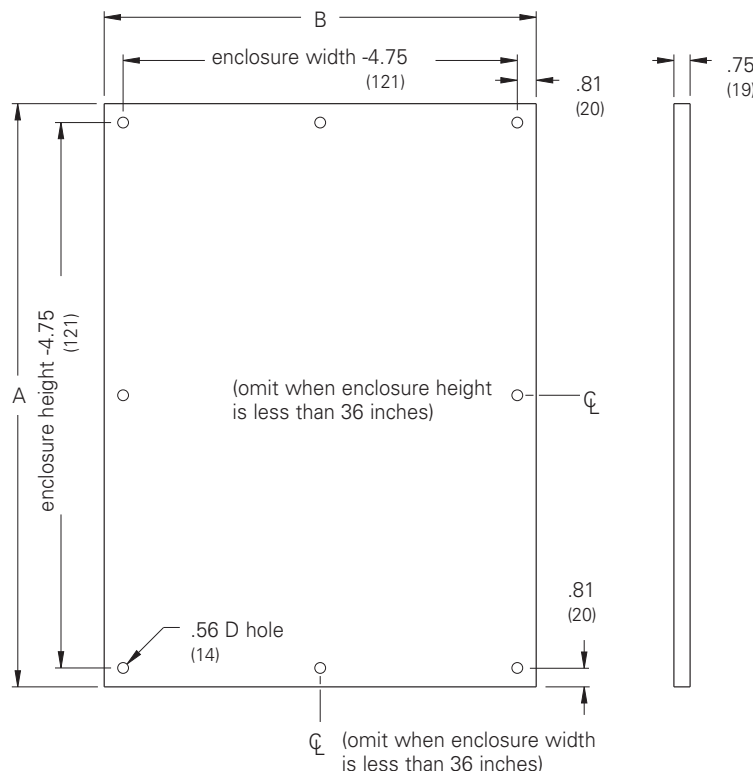
Notes: Dimensions are in inches. Millimeters shown are for reference only. Data subject to change without notice.

Panels & Panel Accessories
NEMA Flanged Panels
 Illustration Sheet and Catalog Number

Discount Schedule: C2
Subclass: DSB

NEMA Flanged Panel Catalog Number				A		B		Gauge	Fits Enclosure Height x Width	
Painted Steel	Galvanized Steel	Stainless	Aluminum	in.	mm	in.	mm		in.	mm
AW2420P	AW2420GP	AW2420SP	AW2420AP	20.87	530	16.87	428	12	24.00*x20.00*	610x508
AW2424P	AW2424GP	AW2424SP	AW2424AP	20.87	530	20.87	530	12	24.00x24.00	610x610
AW3016P	AW3016GP	AW3016SP	AW3016AP	26.87	682	12.87	327	12	30.00x16.00	762x406
AW3020P	AW3020GP	AW3020SP	AW3020AP	26.87	682	16.87	428	12	30.00x20.00	762x508
AW3024P	AW3024GP	AW3024SP	AW3024AP	26.87	682	20.87	530	12	30.00*x24.00*	762x610
AW3030P	AW3030GP	AW3030SP	AW3030AP	26.87	682	26.87	682	12	30.00x30.00	762x762
AW3624P	AW3624GP	AW3624SP	AW3624AP	32.87	835	20.87	530	12	36.00x24.00	914x610
AW3630P	AW3630GP	AW3630SP	AW3630AP	32.87	835	26.87	682	12	36.00*x30.00*	914x762
AW3636P	-	AW3636SP	-	32.87	835	32.87	835	12	36.00x36.00	914x914
AW4224P	-	-	-	38.87	987	20.87	530	12	42.00*x24.00*	1067x610
AW4230P	AW4230GP	AW4230SP	AW4230AP	38.87	987	26.87	682	12	42.00*x30.00*	1067x762
AW4236P	AW4236GP	AW4236SP	AW4236AP	38.87	987	32.87	835	12	42.00x36.00	1067x914
AW4242P	-	-	-	38.87	987	38.87	987	12	42.00x42.00	1067x1067
AW4824P	-	-	-	44.87	1140	20.87	530	12	48.00*x24.00*	1219x610
AW4830P	AW4830GP	AW4830SP	-	44.87	1140	26.87	682	12	48.00*x30.00*	1219x762
AW4836P	AW4836GP	AW4836SP	AW4836AP	44.87	1140	32.87	835	12	48.00*x36.00*	1219x914
AW4842P	AW4842GP	AW4842SP	AW4842AP	44.87	1140	38.87	987	12	48.00*x42.00*	1219x1067
AW4848P	-	-	-	44.87	1140	44.87	1140	12	48.00x48.00	1219x1219
AW6030P	-	-	-	56.87	1444	26.87	682	12	60.00*x30.00*	1524x762
AW6036P	AW6036GP	AW6036SP	AW6036AP	56.87	1444	32.87	835	12	60.00*x36.00*	1524x914
AW7230P	-	-	-	68.87	1749	26.87	682	12	72.00x30.00	1829x762
AW7236P	-	-	-	68.87	1749	32.87	835	12	72.00x36.00	1829x914

* Panel also fits these enclosures when height and width dimensions are reversed.



NEMA Flanged Panels can be installed in consoles, Type 4X, Type 4, and Type 12 NEMA Enclosures. Panels are available in steel, galvanized steel, stainless steel and aluminum. Painted steel panels have a white powder paint finish. Stainless steel and aluminum panels have a smooth brushed finish on one side and protected with PVC film.

Notes: Dimensions are in inches. Millimeters shown are for reference only. Data subject to change without notice.

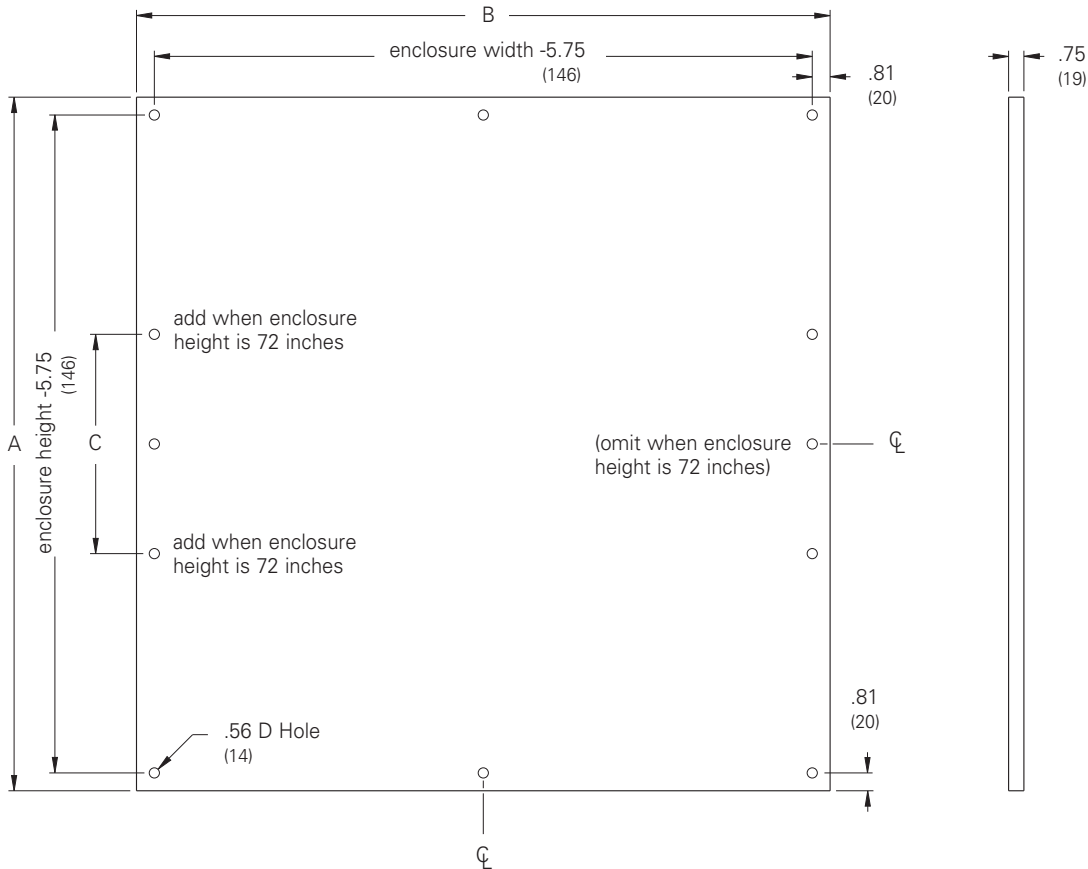
Accessories

Panels & Panel Accessories Large NEMA Flanged Panels Illustration Sheet and Catalog Number

Discount Schedule: C2
Subclass: DSC

Panel Catalog Number			A		B		C		Gauge	Fits Enclosure*	
Steel	Stainless	Aluminum	in.	mm	in.	mm	in.	mm		Height in.	Width mm
AW5442P	-	-	49.87	1267	37.87	962	-	-	10	54.00x42.00	1372X1067
AW6042P	-	-	-	-	56.87	1444	38.87	987	12	60.00*x42.00*	1524x1067
AW6048P	AW6048SP	AW6048AP	55.87	1419	43.87	1114	-	-	10	60.00x48.00	1524X1219
AW6060P	AW6060SP	AW6060AP	55.87	1419	55.87	1419	-	-	10	60.00x60.00	1524X1524
AW7260P	AW7260SP	AW7260AP	67.87	1724	55.87	1419	22.06	560	10	72.00x60.00	1829X1524
AW7272P	AW7272SP	AW7272AP	67.87	1724	67.87	1724	22.06	560	10	72.00x72.00	1829X1829

*Panel also fits Type 4X and Type 4 where the height is 2.00 inches more than shown in the table



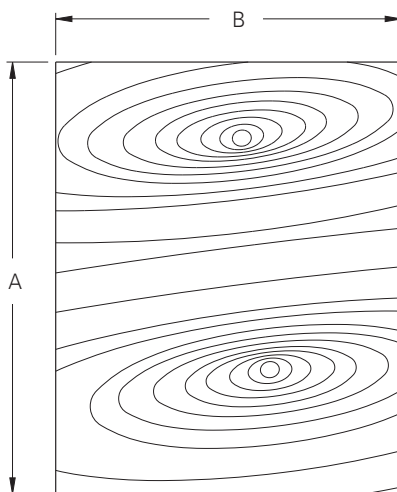
Large Flanged Panels can be installed in Floor Standing Type 4X, Type 4 and Type 12 Enclosures. Handle Kits are furnished with each panel. Steel panels have a white powder paint finish. Stainless steel and aluminum panels have a smooth brushed finish on one side and protected with PVC film.

Notes: Dimensions are in inches. Millimeters shown are for reference only. Data subject to change without notice.

Panels & Panel Accessories
Wood Back Panels
 Illustration Sheet and Catalog Number

Discount Schedule: A2
Subclass: A00

Wood Back Board Catalog Number	A		B		Fits Enclosure Height x Width	
	in.	mm	in.	mm	in.	mm
88 WB	5.00	127	5.00	127	8.00x8.00	203x203
1010 WB	7.00	178	7.00	178	10.00x10.00	254x254
128 WB	9.00	229	5.00	127	12.00x8.00	350x203
1210 WB	9.00	229	7.00	178	12.00x10.00	305x254
1212 WB	9.00	229	9.00	229	12.00x12.00	305x305
1612 WB	13.00	330	9.00	229	16.00x12.00	406x305
1812 WB	15.00	381	9.00	229	18.00x12.00	457x305
1815 WB	15.00	381	12.00	305	18.00x15.00	457x381
1818 WB	15.00	381	15.00	381	18.00x18.00	457x457
2412 WB	21.00	533	9.00	229	24.00x12.00	610x305
2418 WB	21.00	533	15.00	381	24.00x18.00	610x457
2424 WB	21.00	533	21.00	533	24.00x24.00	610x610
3015 WB	27.00	686	12.00	305	30.00x15.00	762x381
3018 WB	27.00	686	15.00	381	30.00x18.00	762x457
3024 WB	27.00	686	21.00	533	30.00x24.00	762x610
3030 WB	27.00	686	27.00	686	30.00x30.00	762x762
3624 WB	33.00	838	21.00	533	36.00x24.00	914x610
3630 WB	33.00	838	27.00	686	36.00x30.00	914x762
3636 WB	33.00	838	33.00	838	36.00x36.00	914x914
4824 WB	45.00	1143	21.00	533	48.00x24.00	1219x610
4836 WB	45.00	1143	33.00	838	48.00x36.00	1219x914
4848 WB	45.00	1143	45.00	1143	48.00x48.00	1219x1219



.75
(19)



Wood back boards are intended for Type 1 and Type 3R Telephone Termination Cabinets. However, they may be installed in any enclosure that will accommodate the board size. Standard boards are cut from shop grade type CDX plywood with one side finished smooth. Boards normally are not treated or painted. Consult the factory for special cuts, holes, finishes or wood treating.

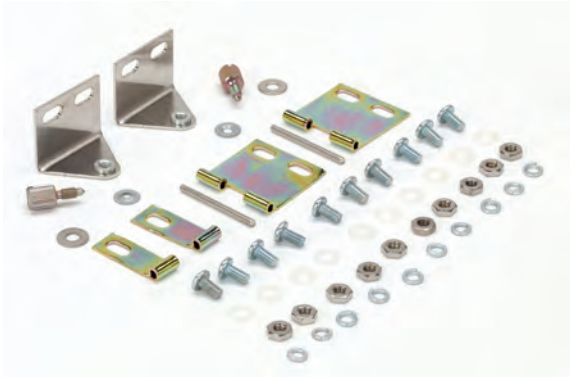
Notes: Dimensions are in inches. Millimeters shown are for reference only. Data subject to change without notice.

Accessories

Panels & Panel Accessories

JIC Swing Panels

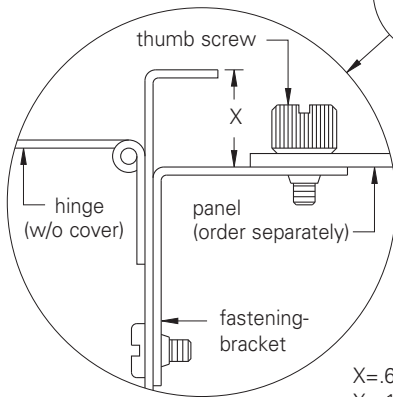
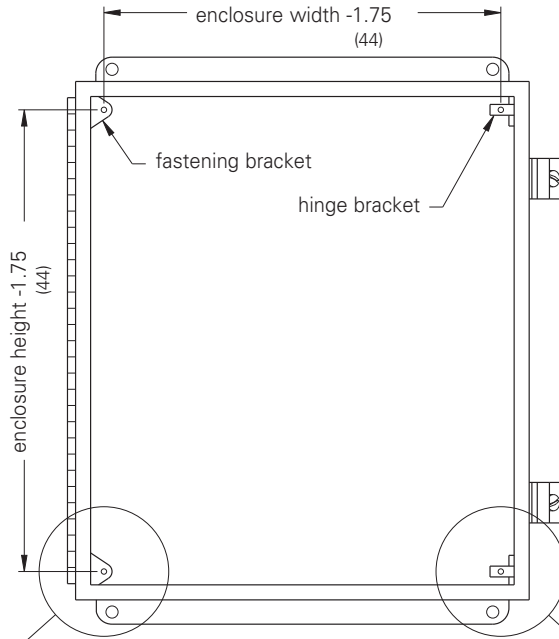
Illustration Sheet and Catalog Number



Catalog Number	Description
JICSPK	For use with JIC Enclosures that are 8.00 (203 mm) x 6.00 (152 mm) inches or larger. The distributed weight of panel and equipment should not exceed 25 pounds.

This kit offers a means for mounting user's components and equipment near the front of an enclosure opening for easy access. The JIC Swing Panel Kit includes two hinge brackets, two fastening brackets, knurled thumb screws, retaining hardware and instructions for installing standard panels. Panels must be ordered separately.

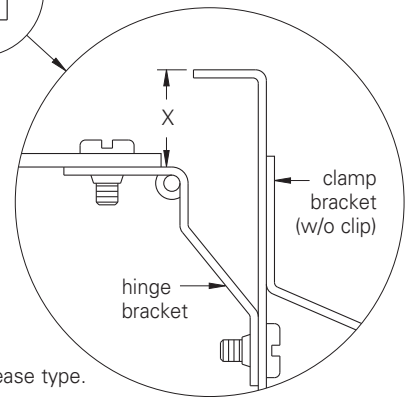
Discount Schedule: C2
Subclass: DSO



Panel Fastening Detail

Front View
(without cover)

X = .62 (16) Min. for all JIC Enclosures Except Quick Release type.
X = 1.37 (35) min. for JIC Quick-Release type.



Panel Hinge Detail

Notes: Dimensions are in inches. Millimeters shown are for reference only. Data subject to change without notice.

Panels & Panel Accessories

NEMA Swing Panels

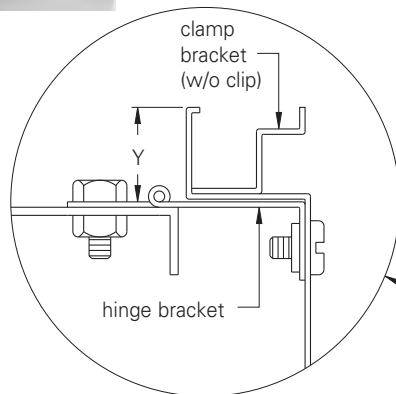
Illustration Sheet and Catalog Number



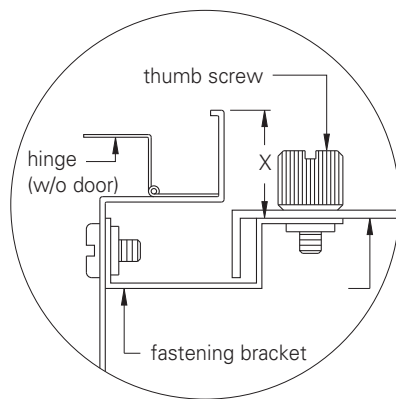
Catalog Number	Description
NSPK	For use with Type 4, Type 4X, and Type 12 Single Door Enclosures 16.00 (406 mm) x 12.00 (305 mm) and larger, provided the distributed weight of panel and equipment does not exceed 100 pounds. Also used on the Larger Type 12 CHSC and Larger Type 3R RHC Enclosure.

This kit offers a means for mounting user components and equipment near the front of an enclosure opening for easy access. The NEMA Swing Panel Kit includes two hinge brackets, two fastening brackets, knurled thumb screws, retaining hardware, bracket mounting hardware and instructions for installing standard panels. Panels must be ordered separately.

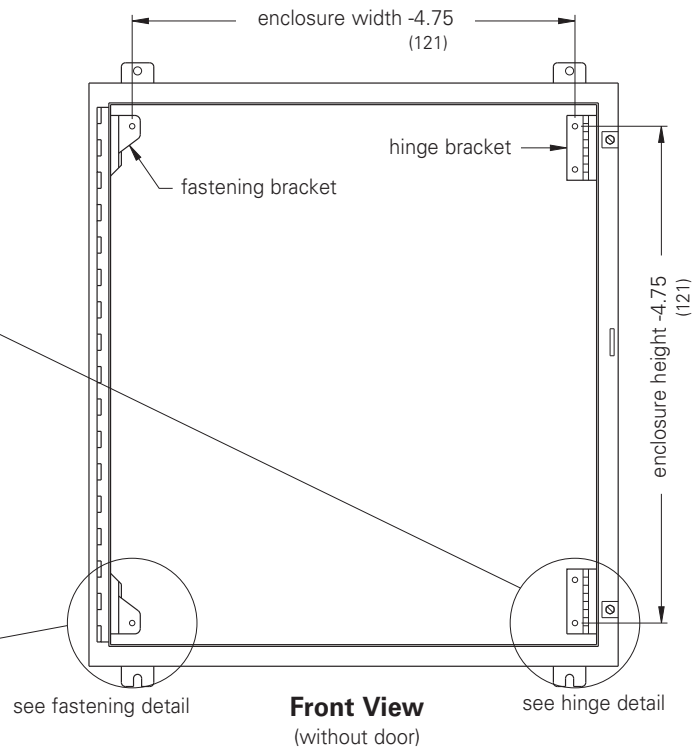
Discount Schedule: C2
Subclass: DS0



Panel Hinge Detail



Panel Fastening Detail



Front View
(without door)

- X= 1.37 (35) min. Type 4, Type 4X, & Type 12 Single door, and Large Type 3R RHC Enclosures
- Y= 1.25 (32) min. Type 4, Type 4X, & Type 12 Single door, and Large Type 3R RHC Enclosures
- X= 1.00 (25) min. Large Type 12 CHSC Enclosures
- Y= .87 (22) min. Large Type 12 CHSC Enclosures

Notes: Large Type 12 CHSC Enclosures have back panels installed. Dimensions are in inches. Millimeters shown are for reference only. Data subject to change without notice.

Accessories

Panels & Panel Accessories Illustration Sheet and Catalog Number

Discount Schedule: C2
Subclass: DS0

Panel Supports



Panel Support Kits

Catalog Number	Description
PS3	For use on Single Door and Double-Door Floor-Standing Enclosure Panels
PS9	For use on Free-Standing and Multi-Door Free-Standing Enclosure Panels

Designed to provide additional support to panels which are burdened with heavy equipment. Supports fit over the bottom corner collar Studs. Each support bracket can be adjusted so that the load can be shared between the support and the stud. A "jam" nut maintains the adjustment. At the base of the support bracket is a nylon shoe to prevent damage to the interior finish. Two support brackets assemblies are furnished with each kit.

Lifting Hooks



Panel Lifting Hooks

Catalog Number	Description
PLH	Panel lifting hooks

Two (2) Panel lifting hooks are used for picking up and moving large panels. The hooks are designed to be used on back panels while laying flat.

Notes: Dimensions are in inches. Millimeters shown are for reference only. Data subject to change without notice.

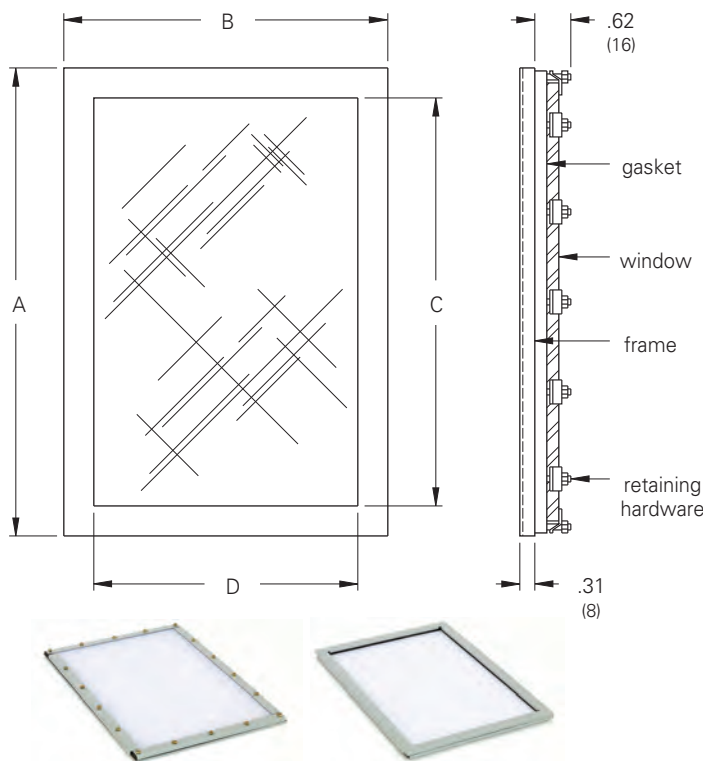
Window Kits

Fixed Window

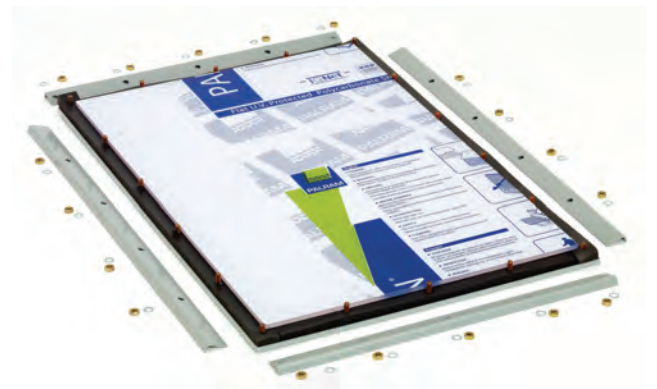
Illustration Sheet and Catalog Number

Discount Schedule: C2
Subclass: DSO

Framed Window Kits		Frame Detail				Window Detail				Enclosure	
Catalog Number		A		B		C		D		Cut-Out	
Steel	Stainless	in.	mm	in.	mm	in.	mm	in.	mm	in.	mm
PWK53	PWK53SS	7.50	191	5.50	140	5.00	127	3.00	76	6.62x4.62	168x117
PWK95	PWK95SS	11.50	292	8.00	203	9.00	229	5.50	140	10.62x7.12	270x181
PWK133	PWK133SS	15.50	394	5.50	140	13.00	330	3.00	76	14.62x4.62	371x117
PWK138	PWK138SS	15.50	394	10.50	267	13.00	330	8.00	203	14.62x9.62	371x244
PWK175	PWK175SS	19.50	495	8.00	203	17.00	432	5.50	140	18.62x7.12	473x181
PWK1711	PWK1711SS	19.50	495	13.50	343	17.00	432	11.00	279	18.62x12.62	473x321
PWK2315	PWK2315SS	25.50	648	17.50	445	23.00	584	15.00	381	24.62x16.62	625x422
PWK2919	PWK2919SS	31.50	800	21.50	546	29.00	737	19.00	483	30.62x20.62	778x524
PWK3523	PWK3523SS	37.50	953	25.50	648	35.00	889	23.00	584	36.62x24.62	930x625



Steel Framed Window Kits are designed for use with Type 4 and Type 12 Enclosures. Stainless Steel Framed Window Kits are for use with Type 4X Enclosures, however, they can also be used on Type 4 and Type 12, if additional corrosion protection is needed. Steel kits are constructed from heavy gauge and have an ANSI 61 gray polyester powder finish. Stainless steel kits are constructed from Type 304 stainless and have a brushed finish. Each kit includes a .25 inch (6 mm) thick polycarbonate window and gasket to ensure a tight, oil and water-resistant seal around the enclosure cut-out. Hardware and instructions for field installation are also furnished. UL Listed.



Frameless Window Kits

Catalog Number	Window Size		Enclosure cut-out (max)	
	in.	mm	in.	mm
FLWK52	6.00 x 3.00	152 x 76	5.00 x 2.00	127 x 51
FLWK96	10.00 x 7.00	254 x 178	9.00 x 6.00	229 x 152
FLWK133	14.00 x 4.00	356 x 102	13.00 x 3.00	330 x 76

Frameless Window Kits are intended for use with Type 1 and Type 12 Enclosures. Each kit includes a roll of .50 inch (13 mm) wide double-sided adhesive tape and a .12 inch (3 mm) thick polycarbonate window. Instructions for mounting and hardware are also furnished. UL listed.

Notes: Dimensions are in inches. Millimeters shown are for reference only. Data subject to change without notice.

Accessories

Window & Door Kit Accessories

Illustration Sheet and Catalog Number

Discount Schedule: C2

Subclass: DSO

Hinged Windows



Front Side



Back Side

Catalog Number	Frame Detail				Window Detail				Enclosure	
	Height		Width		Height		Width		Cut-Out	
	in.	mm	in.	mm	in.	mm	in.	mm	in.	mm
HWK1212	12.50	318	12.50	318	10.12	257	10.12	257	11.87x11.87	301x301
HWK1612	16.50	419	12.50	318	14.12	359	10.12	257	15.87x11.87	403x301
HWK2016	20.50	521	16.50	419	18.12	460	14.12	359	19.87x15.87	505x403
HWK2020	20.50	521	20.50	521	18.12	460	18.12	460	19.87x19.87	505x505
HWK2420	24.50	622	20.50	521	22.12	562	18.12	460	23.87x19.87	606x505
HWK3024	30.50	775	24.50	622	28.12	714	22.12	562	29.87x23.87	759x606

Provides a clear view to components mounted inside an enclosure. The window is made of .21-inch thick polycarbonate. All mounting hardware is provided for easy installation. Gasketing along all edges maintains the Type 12 rating. Finished in ANSI 61 gray polyester powder. UL Listed.

Door Stops

Door Stop Kit

Catalog Number	Description
DSTOPK	Door stop kit

Door Stop Kits are intended for most Type 4, Type 4X, and Type 12 Single Door Wall-Mount Enclosures that have a minimum width of 16 inches. The kit is designed to mount at the top or bottom of the door opening. When properly installed the door can be held open approximately 135°. Tools are not necessary to affix or release the stop. When not in use the assembly folds and locks neatly away. Each kit contains detailed mounting instructions and all the necessary hardware for field assembly.



Accessories

Print Pockets



Print Pockets

Catalog Number	Length x Width	
	in.	mm
32170	6" x 6"	152x152
32171	10" x 10"	254x254
32172	9" x 12"	229x305

Print pockets provide a convenient place to store operation manuals, diagrams, or other documents inside the enclosure. Thermoplastic pockets are gray and have cut away areas for viewing contents. Pockets have adhesive backing for mounting inside on enclosure door.

Notes: Dimensions are in inches. Millimeters shown are for reference only. Data subject to change without notice.

Locks, Latches, Inserts, & Handles

Flush Locks

Illustration Sheet and Catalog Number

Discount Schedule: C2

Subclass: D50

Type 1 Panel Enclosure Flush Lock

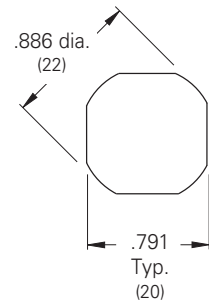


Type 1 Enclosure Flush Lock

Catalog Number	Description
T1EFL	New Flush lock

Flush Locks are used as a keyed locking mechanism for Type 1 small, medium and large Panel Enclosures. Mechanisms are steel with a plated finish.

Hole Pattern Detail



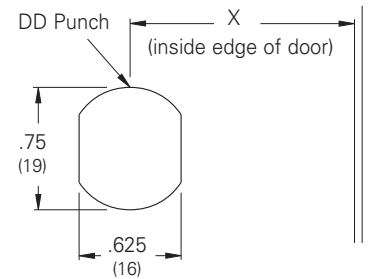
Type 4 & Type 12 JIC Enclosure Flush Lock



JIC 4 & 12 Flush Lock

Catalog Number	Description
25352 A	JIC 4 & 12 flush lock

Flush Locks are intended for 1-pt field modifications to most Type 4 and 12 JIC Enclosures as well as the Large Type 12 CHSC Enclosures. Included is detail instructions for the door hole size and location (see detail at right). The lock is steel with a bright plated finish.



Hole Pattern Detail

X = 1.18 (30) JIC Enclosure
X = 1.68 (43) Large Type 12 CHSC Enclosure

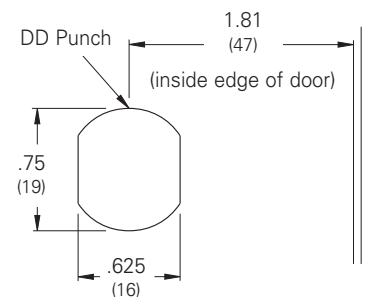
Type 4 & 12 NEMA Enclosure Flush Locks



NEMA 4 & 12 Flush Lock

Catalog Number	Description
25351 A	NEMA 4 & 12 flush lock

Flush lock is intended for 1-pt field modification to most Type 4 and Type 12 Single Door Wall-Mount Enclosures. Included is detail instructions for the door hole size and location (see detail at right). The lock is steel with a bright plated finish.



Hole Pattern Detail

Notes: Dimensions are in inches. Millimeters shown are for reference only. Data subject to change without notice.

Locks, Latches, Inserts, & Handles Inserts

Discount Schedule: C2

Illustration Sheet and Catalog Number

Type 1 Panel Enclosure Security Inserts



7MT1TLK

7MT1SLK



3MT1DBLK

Type 1 Enclosure Security Latch Inserts

Catalog Number	Description
7MT1TLK	7mm triangular latch insert
7MT1SLK	7mm square latch insert
3MT1DBLK	3mm double bit latch insert

Security latch inserts interchange with slotted quarter-turn flush latch and provide security and control access to interior of enclosure. Inserts include matching key.

Type 4 Premier Enclosure Security Inserts



7MTLK



7MSLK



3MDBLK

Type 4 Premier Enclosure Security Latch Inserts

Catalog Number	Description
7MTLK	7mm triangular latch insert
7MSLK	7mm square latch insert
3MDBLK	3mm double bit latch insert

Security latch inserts interchange with slotted quarter-turn flush latch and provide security and control access to interior of enclosure. Inserts include matching key.

Notes: Dimensions are in inches. Millimeters shown are for reference only. Data subject to change without notice.

Locks, Latches, Inserts, & Handles

Latches & Locks

Illustration Sheet and Catalog Number

Discount Schedule: C2

Subclass: DS0, 0A0 *

Type 4 & Type 12 Security Latch Kits



25270A



25278 A



25277A



25289A



25288A

Latch Kits for Type 4 & 12 Enclosures

Catalog Number	Description
25270 A	Slotted flush latch
25278 A	Triangle flush latch key
25277 A *	Triangle flush latch
25289 A *	Square flush latch key
25288 A	Square flush latch

A = Chrome Plate

Intended to be used on Type 4 and Type 12/13 enclosures which utilize external screw clamps. Latches require a hole punched or drilled in the door for installation. Once installed, an internal O-ring and external gasket maintain a dust-tight and water-tight seal. The tamper resistant latches require specific keys to gain access.

Type 1 Single-Door Telephone Cabinet Tumbler Locks



25092A



25092B

Type 1 Tel Cab Mechanism

Catalog Number	Description
25092 A	For right hand hinged single door cabinet
25092 B	For left hand hinged single door cabinet

Tumbler Locks are used as replacement mechanisms for Type 1 Single-Door Telephone Termination Cabinets. The low profile mechanism is excellent for surface and flush cabinet cover mounting.

Notes: Dimensions are in inches. Millimeters shown are for reference only. Data subject to change without notice.

Locks, Latches, Inserts, & Handles

Locks & Latches

Illustration Sheet and Catalog Number

Discount Schedule: C2

Subclass: DSO

Type 1 & Type 12 Quarter-Turn Enclosure Locks



T1KLBM & T12KLB

Type 1 & Type 12

Catalog Number	Description	Used With
T1KLBM	Type 1 - Small Locking - Black/Stainless Steel	JIC
T12KLB	Type 12 - Large Locking - Black/Stainless Steel	Ground Mount

Type 4 Quarter-Turn Enclosure Locks & Latches for JIC & Ground Mount



T4DLBM & T4DLB

Type 4

Catalog Number	Description	Used With
T4DLBM	Type 4 - Small Slotted Latch - Black Finish	JIC
T4DLB	Type 4 - Large Slotted Latch - Black Finish	Ground Mount



T4WNBM & T4WNB

Type 4

Catalog Number	Description	Used With
T4WNBM	Type 4 - Small Wing Knob - Black Finish	JIC
T4WNB	Type 4 - Large Wing Knob - Black Finish	Ground Mount



T4KLWNBM

Type 4

Catalog Number	Description	Used With
T4KLWNBM	Type 4 - Small Keylocking Wing Knob - Black Finish	JIC



T4KLWNB

Type 4

Catalog Number	Description	Used With
T4KLWNB	Type 4 - Large Keylocking Wing Knob - Black Finish	Ground Mount



T4PLWNB

Type 4

Catalog Number	Description	Used With
T4PLWNB	Type 4 - Large Padlockable Wing Knob - Black Finish	Ground Mount

Notes: Dimensions are in inches. Millimeters shown are for reference only. Data subject to change without notice.

Locks, Latches, Inserts, & Handles
Locks, Latches, & Inserts
 Illustration Sheet and Catalog Number

Discount Schedule: C2
Subclass: DSO

Type 4 Quarter-Turn Enclosure Locks, Latches, & Inserts



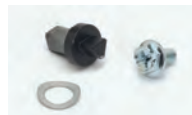
T4THB

Type 4		
Catalog Number	Description	Used With
T4THB	Type 4 - Large T-Handle Non-Locking - Black Finish	Ground Mount



T4KLTHB

Type 4		
Catalog Number	Description	Used With
T4KLTHB	Type 4 - Large T-Handle Key-Locking - Black Finish	Ground Mount



7MT4TLKB & 6.5MT4TLKBM

Type 4		
Catalog Number	Description	Used With
7MT4TLKB	Type 4 - Large Security Insert (7mm Triangle) - Black Finish	Ground Mount
6.5MT4TLKBM	Type 4 - Small Security Insert (6.5mm Triangle) - Black Finish	JIC



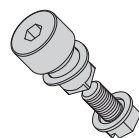
7MT4SLKB & 6MT4SLKBM

Type 4		
Catalog Number	Description	Used With
7MT4SLKB	Type 4 - Large Security Insert (7mm Square) - Black Finish	Ground Mount
6MT4SLKBM	Type 4 - Small Security Insert (6mm Square) - Black Finish	JIC



3MT4DBLKB

Type 4		
Catalog Number	Description	Used With
3MT4DBLKB	Type 4 - Large Security Insert 3mm Double Bit) - Black Finish	Ground Mount



4MT4HXLKBM

Type 4		
Catalog Number	Description	Used With
4MT4HXLKBM	Type 4 - Small Security Insert (4mm Socket Hex) - Black Finish	JIC

Accessories

Type 4X Quarter-Turn Enclosure Latch



T4XDLSSM & T4XDLSS

Type 4X		
Catalog Number	Description	Used With
T4XDLSSM	Type 4X - Small Slotted Latch - Stainless Steel	JIC
T4XDLSS	Type 4X - Large Slotted Latch - Stainless Steel	Ground Mount

Notes: Dimensions are in inches. Millimeters shown are for reference only. Data subject to change without notice.

Accessories

Locks, Latches, Inserts, & Handles T-Handles

Illustration Sheet and Catalog Number

Type 3R Double-Door Enclosure Padlock Handle



Type 3R Padlock Handle

Catalog Number	Description
25350 A	Type 3R padlock handle

Type 3R Padlock Handle is intended to be used as a replacement mechanism for Type 3R Double-Door Enclosures. It is designed to fit existing 3-pt locking rod and cam assembly. The handle is steel with a bright plated finish.

Discount Schedule: C2

Subclass: DS0

Type 1 & 3R Double-Door Telephone Cabinet T-Handle Lock



Type 1 & 3R T-Handle Lock

Catalog Number	Description
25421 A	T-handle lock

T-Handle Lock is intended to be used as a replacement mechanism for Type 1 Double Door Telephone Termination Cabinets, Type 3R Telephone Termination Cabinets. The handle is designed to fit doors that hinge on either the left or right side. Cam and adjustable hardware can be rotated accordingly. The lock is steel with a bright plated finish.

Discount Schedule: C2

Subclass: AS0

Notes: Dimensions are in inches. Millimeters shown are for reference only. Data subject to change without notice.

Locks, Latches, Inserts, & Handles

Inserts

Illustration Sheet and Catalog Number

Type 4 & 12 Premier Enclosure Handle Inserts

Wall-Mount Handles

Padlocking, key-locking or non-locking handles are interchangeable with standard slotted quarter-turn flush latch on Premier series enclosures. Available keyed alike or keyed different, please specify when ordering.

Discount Schedule: C2

Subclass: TD0

Catalog Number	Description
WMHNL	Wall-mount handle, non-locking
WMHK-01	Wall-mount handle, key-locking - keyed 01
WMHK-02	Wall-mount handle, key-locking - keyed 02
WMHK-03	Wall-mount handle, key-locking - keyed 03
WMHK-04	Wall-mount handle, key-locking - keyed 04
WMHPTO	Wall-mount handle, padlockable



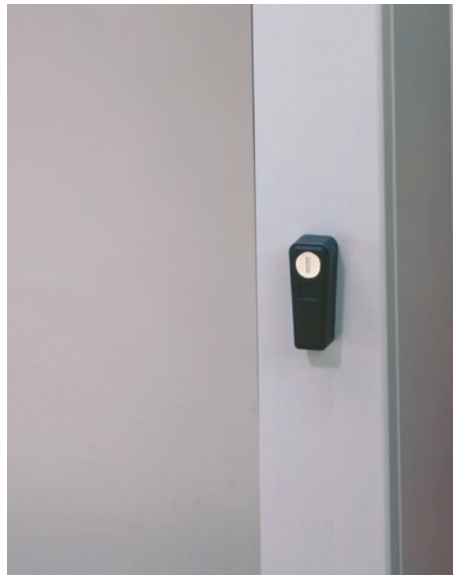
WMHNL
non-locking



WMHK-01 thru WMHK-04
key-lockable



WMHPTO
padlockable



Notes: Dimensions are in inches. Millimeters shown are for reference only. Data subject to change without notice.

Accessories

Locks, Latches, Inserts, & Handles Handles

Illustration Sheet and Catalog Number

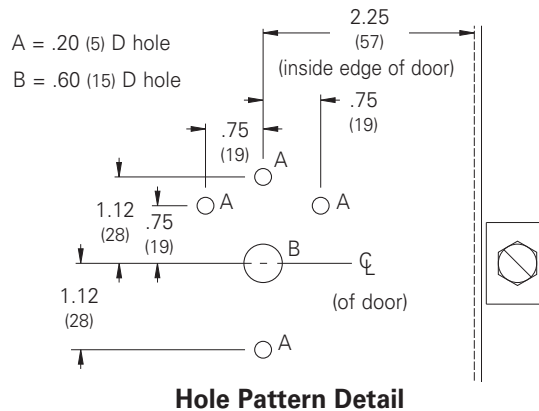
Type 12 NEMA Single-Door Enclosure Padlock Handle Kits



Catalog Number	Description
25345 A	NEMA 12 - 1 pt padlocking

See hole pattern detail for field mounting the handle assembly. The handle is steel with a bright plated finish.

Discount Schedule: C2 Subclass: DS0



Type 12 NEMA Single-Door Enclosure Padlock Handle Kits

Accessories



Catalog Number	Description
25345 A**	NEMA 12 - 3 pt padlocking

** Specify enclosure height after the catalog number, (20, 24, 30, 36, 42, 48, 60, 72). Example: 25345 A48 for 48 inch height.

NEMA 12 Padlock Handle Kits are intended for 3-pt field modification to most Type 12 Single Door Wall-Mount Enclosures with a standard height from 20 inches (508 mm) to 72 inches (1829 mm). The handle is heavy-duty and will rotate in both the counter-clockwise and clockwise directions. Below handle center is a padlock provision with holes large enough to accommodate up to a .43 inch (11 mm) shaft. Kits include a handle, cam, rods, spacer, rollers, adjustable rod guides and all the hardware necessary for assembly. Adjustable rod guides have multiple settings for desired gasket compression. Detailed instructions are also furnished which include a door hole pattern for field mounting the handle assembly (see detail 2 on this page). The handle is steel with a bright plated finish.

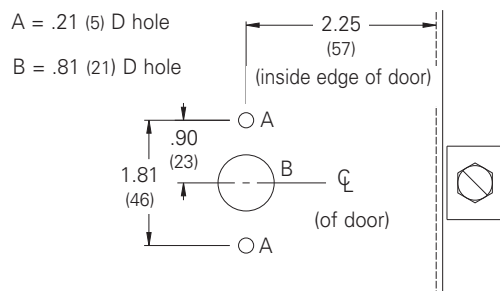
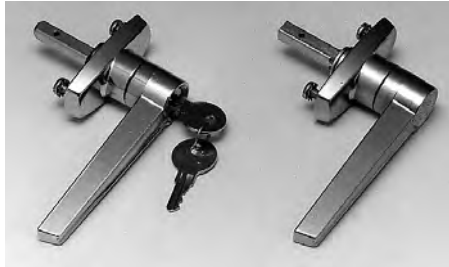
Discount Schedule: C2 Subclass: DS0

Notes: Dimensions are in inches. Millimeters shown are for reference only. Data subject to change without notice.

Locks, Latches, Inserts, & Handles Handles

Illustration Sheet and Catalog Number

Type 12 Console Handle Kits



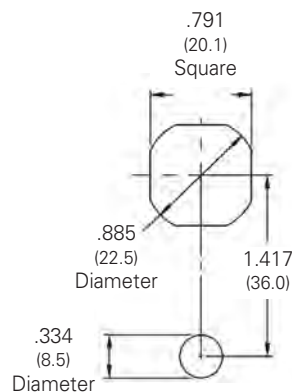
Hole Pattern Detail

Catalog Number	Description
25228 A	Type 12 handle CCW lock
25228 B	Type 12 handle CCW latch
25228 C	Type 12 handle CW lock
25228 D	Type 12 handle CW latch

Type 12 Door Handles can be used as a replacement lock or latch for Type 12 Consoles. These enclosures use a clockwise (CW) handle rotation, counter-clockwise (CCW) lock and latch are available. Handles are steel with a bright plated finish. See hole pattern detail for field mounting the handle assembly. Handles are steel with a bright plated finish.

Discount Schedule: C2 Subclass: DS0

Padlocking Defeater Handle Kit



Hole Pattern Detail

Catalog Number	Description
BD-PDHB	Type 4 - 1 pt padlocking defeater

These door handles can be used as replacement locks for Type 12 ground mounted disconnect enclosures featuring a beveled door. Handles are a zinc die-cast construction with a textured powder coat finish to provide durability and corrosion resistance. An optional built in spring loaded defeater provides a two handed operation requirement and a standard padlockable handle trigger provides secondary security. Handles are supplied with nut and gasketing materials.

Discount Schedule: C2 Subclass: DS0

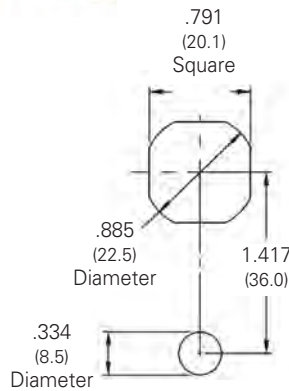
Notes: Dimensions are in inches. Millimeters shown are for reference only. Data subject to change without notice.

Accessories

Locks, Latches, Inserts, & Handles Handles

Illustration Sheet and Catalog Number

Padlocking Keylocking Handle Kit



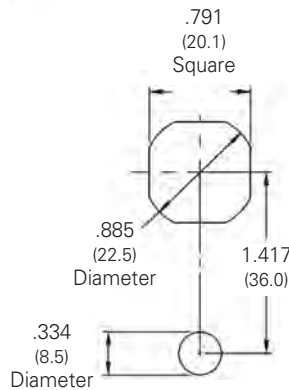
Hole Pattern Detail

Catalog Number	Description
BD-PKHB	Type 4X - 1 pt padlocking keylocking

These door handles can be used as replacement locks for Type 12, Type 4 and Type 4X ground mounted enclosures featuring a beveled door. Handles are a zinc die-cast construction with a textured powder coat finish to provide durability and corrosion resistance. A key-lock and padlockable handle trigger provides secondary security. Handles are supplied with nut and gasketing materials and keys.

Discount Schedule: C2
Subclass: DSO

Padlocking Keylocking Handle Kit



Hole Pattern Detail

Catalog Number	Description
BD-PKHSS	Type 4X - 1 pt padlocking keylocking

These door handles can be used as replacement locks for Type 4X ground mounted 316SS enclosures featuring a beveled door. Handles are a die-cast stainless steel construction to provide durability and corrosion resistance. A key-lock and padlockable handle trigger provides secondary security. Handles are supplied with nut and gasketing materials and keys.

Discount Schedule: C2
Subclass: DSO

Notes: Dimensions are in inches. Millimeters shown are for reference only. Data subject to change without notice.

Clamp & Padlock Kits Padlock Kit

Illustration Sheet and Catalog Number

JIC Padlock Kit



JIC Padlock Kit

Catalog Number	Description
PLKJICSS6	Padlock Kit Type 316 Stainless Steel

The JIC Padlock Kit is designed to field install on all JIC type and Larger Type 12 CHSC Enclosures. Mounting hardware and instruction are provided.

Discount Schedule: C2

Subclass: D10



Notes: Dimensions are in inches. Millimeters shown are for reference only. Data subject to change without notice.

Accessories

Clamp & Padlock Kits Clamps

Illustration Sheet and Catalog Number

Discount Schedule: C2
Subclass: DSO

Type 12 JIC Cover Clamp Kit



JIC 12 Cover Clamp Kit

Catalog Number	Description	Quantity
J12CK2	Cover clamp kit	1 Kit

This kit is intended as replacement clamp parts on all JIC Type 12 hinge cover and clamp cover devices. Clamps will also fit NEMA 12 Feed-Through Wireway and NEMA 12 Wiring Trough. Each kit contains two each - plated steel cover clamps and plated screws. 1/4" hardware.

Type 4X/4 JIC Cover Clamp Kit



JIC 4 & 4X Cover Clamp Kit

Catalog Number	Description	Quantity
J4XCK2	Cover clamp kit	1 Kit

This kit is intended as replacement clamp parts on all JIC Type 4X and JIC Type 4 Wall-Mount and Floor-Standing Enclosures. Each kit contains two each - stainless steel cover clamps stainless steel screws. 1/4" hardware.

Type 4X/4/12 JIC Fast-Access Clamp Kit



JIC Fast-Access Clamp Kit

Catalog Number	Description	Quantity
L23	Fast-clamp, steel	1
L23SS	Fast-clamp, stainless	1

This kit is intended to be used in place of standard JIC cover clamps to provide quick access into an enclosure. Clamps will fit JIC Type 4X, 4 and 12 hinge and clamp cover enclosures. They will also replace the clamps used on NEMA 12 and 4X Feed-Through Wireway and NEMA 12 and 4X Wiring Trough. These clamps will **not** fit the JIC screw or quick-release cover designs. Each kit includes washers for fitting between the enclosure bracket and the fast-access clamp to control gasket compression. Kits are available in plated steel (Type 12 Enclosures) and stainless steel (Type 4X & 4 Enclosures). UL Listed.

Notes: Dimensions are in inches. Millimeters shown are for reference only. Data subject to change without notice.

Clamp & Padlock Kits Clamps

Illustration Sheet and Catalog Number

Discount Schedule: C2

Subclass: DSO

Type 12 NEMA Cover Clamp Kit



Type 12 Door Clamp Kit

Catalog Number	Description	Quantity
N12CK2	Door clamp kit	1 Kit

This kit is intended as replacement clamp parts on Type 12 Single Door Wall-Mount Enclosures. Each kit contains two each - door clamps, screws, springs and washers. The clamps, screws and washers are plated steel, the springs are stainless steel.
1/4" hardware.

Type 4X/4 NEMA Cover Clamp Kit



Type 4 & 4X Door Clamp Kit

Catalog Number	Description	Quantity
N4XCK2	Door clamp kit	1 Kit

This kit is intended as replacement clamp parts on Type 4X and Type 4 Wall-Mount and Floor Standing Enclosures. Each kit contains two each - door clamps, screws, springs and washers. All clamp parts and hardware are stainless steel.
1/4" hardware.

Type 4X/4/12 NEMA Fast-Access Clamp Kit



NEMA Fast-Access Clamp Kit

Catalog Number	Description	Quantity
FC412SS	Fast-clamp, stainless steel	1 Kit

This kit is intended to be used in place of standard NEMA door clamps to provide quick access into an enclosure. Clamps will fit Type 4X, 4 and 12 Single Door Wall-Mount Enclosures. They will also replace the clamps used on Type 4X and Type 4 Floor Standing Enclosures. Each kit contains two each - door clamps, fast access screw fasteners, springs and washers. Gasket compression is controlled by turning the handle in or out of the bracket. UL Listed.

Notes: Dimensions are in inches. Millimeters shown are for reference only. Data subject to change without notice.

Accessories

Bolt-On Accessories

Illustration Sheet and Catalog Number

Discount Schedule: C2

Subclass: DSO

Folding Shelf Kit



Folding Shelf Kit

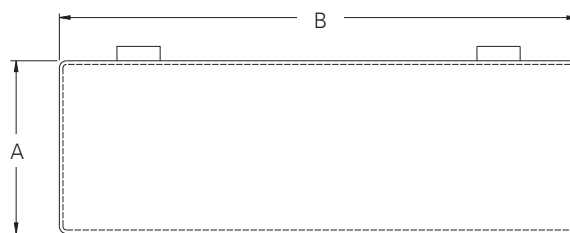
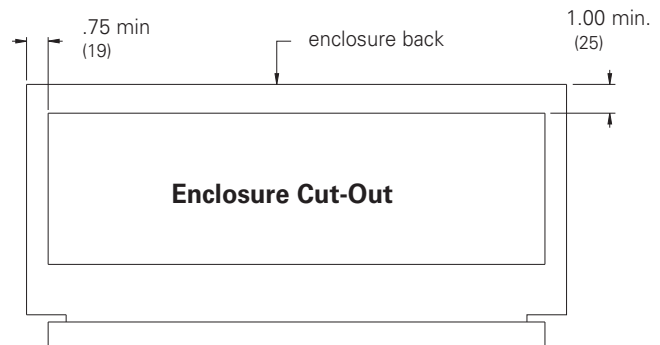
Catalog Number	Description
FSHELF12	12 x 12 Flat mounting surface
FSHELF18	18 x 18 Flat mounting surface

The folding shelf is intended to mount inside or outside of enclosure to support components, sensitive instruments and other equipment which may be integral to the enclosure. When properly installed the shelf will fold open into a locked position perpendicular to the mounting surface. When not in use, the shelf folds down into a locked position. The Folding Shelf is constructed from heavy gauge steel and has a white polyester powder paint finish.

Gland Plates



Catalog Number	Gland Plate Detail				Enclosure Cut-Out	
	A		B		in.	mm
	in.	mm	in.	mm		
GP610	6.00	152	10.00	254	5.00x9.00	127x229
GP618	6.00	152	18.00	457	5.00x17.00	127x432



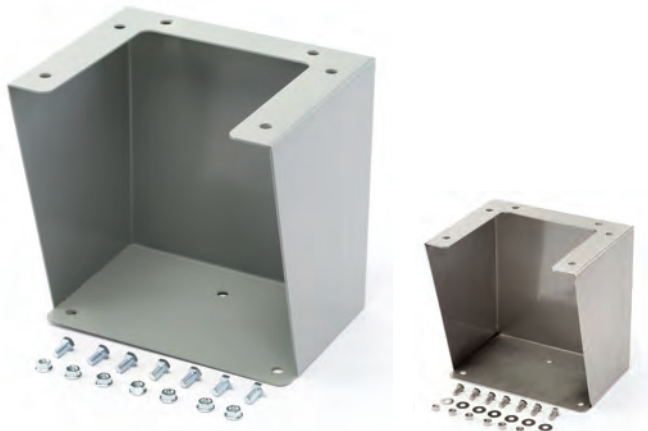
Intended for use with Type 12 Enclosures and is an excellent means of providing a removable access plate to an enclosure and still maintain its listing. The Gland Plate is constructed from (16) gauge steel and has ANSI 61 gray polyester powder finish. Fastening is done from the inside of the enclosure to prevent tampering. Hardware and instructions are included with the kit. UL Listed.

Notes: Dimensions are in inches. Millimeters shown are for reference only. Data subject to change without notice.

Bolt-On Accessories
Illustration Sheet and Catalog Number

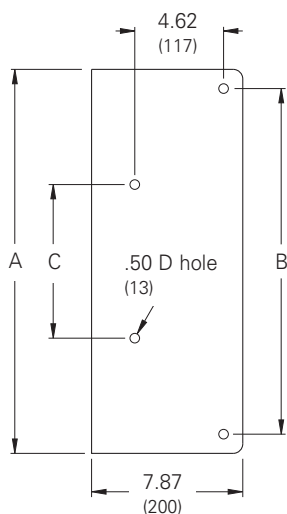
Discount Schedule: C2
Subclass: DSO

Floor Stand Kit

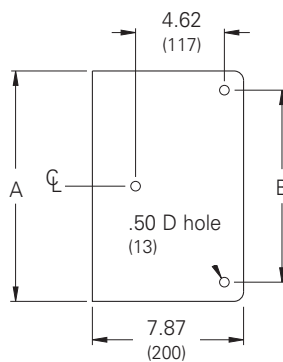


Steel

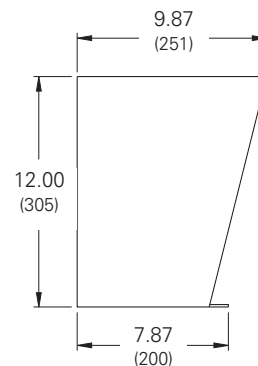
Stainless



Base 20 - 24 Deep



Base 8 - 16 Deep



Floor Stand Kit

Catalog Number		A		B		C	
Steel	Stainless	in.	mm	in.	mm	in.	mm
MFK8	MFK8XS	8.0	203	6.06	154	-	-
MFK10	MFK10XS	10.0	254	8.06	205	-	-
MFK12	MFK12XS	12.0	305	10.06	256	-	-
MFK16	MFK16XS	16.0	406	14.06	357	-	-
MFK18	MFK18XS	18.0	457	16.06	408	7.00	178
MFK20	MFK20XS	20.0	508	18.06	459	8.00	203
MFK24	MFK24XS	24.0	610	22.06	560	10.00	254

Floor Stand Kits are intended for use with Type 4X, Type 4 and Type 12 Wall-Mount Enclosures where floor support is required. They are easily installed on most enclosures where the width is 20 inches (508 mm) or more. The enclosure mounting feet need not be removed in order to install Floor Stand Kits. Each kit consists of two (10) gauge legs and hardware for mounting. At the base of each leg is a pre-punched plate (see drawing). Steel kits have a gray polyester powder paint finish. Stainless steel kits are fabricated from 304 alloy. Standard Floor Stand Kits are 12 inches (305 mm) high. For special heights or non-standard construction consult the factory.

Enclosure Stabilizer



Enclosure Stabilizer

Catalog Number	Quantity
ES2	2

Enclosure Stabilizers are heavy gauge with a wide base for use with NEMA Floor Stand Kits which add stability to large enclosures or top heavy enclosures. Two thumb screws thread into the offset piece and secure the stabilizer to the base of the leg. Two stabilizers are furnished. They are finished with a bright caution orange enamel paint.

Notes: Dimensions are in inches. Millimeters shown are for reference only. Data subject to change without notice.

Accessories

Bolt-On Accessories

Illustration Sheet and Catalog Number

Louver Plate Kits



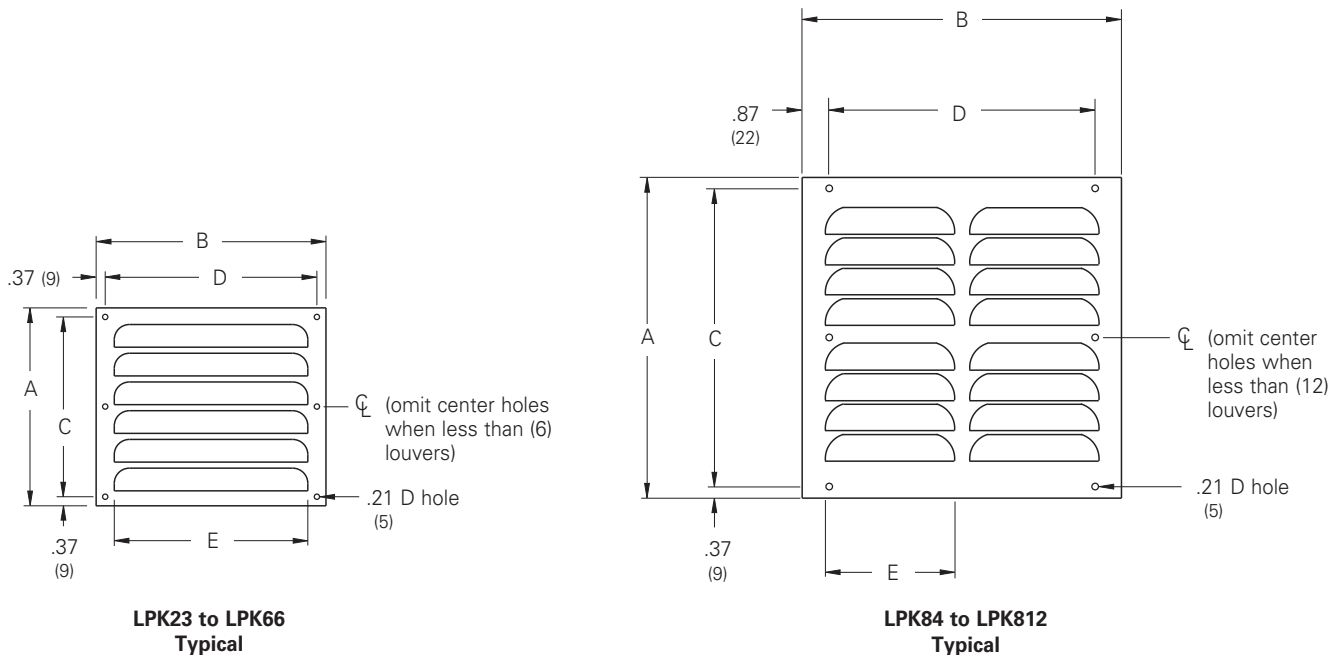
Excellent for providing ventilation in enclosures where external conditions or internal components may cause excessive amount of heat or moisture. Designed to be used with B-Line series Filter Kits using the same cut-out and mounting hole configurations. Louver Plate Kits include all of the necessary hardware and instructions for field installation. Plates are constructed from 16 gauge steel and have an ANSI 61 gray polyester powder finish.

Discount Schedule: C2

Subclass: DSO

Louver Plate Kit Catalog Number	Louver Plate Size				Louver Plate Detail								Enclosure Cut-Out				Area Opening (sq.in.)	
	A		B		C		D		E		Depth		Quantity	Height		Width		
	in.	mm	in.	mm	in.	mm	in.	mm	in.	mm	in.	mm		in.	mm	in.	mm	
LPK23	3.25	83	3.25	83	2.50	64	2.50	64	2.00	51	.25	6	3	2.12	54	2.12	54	1.10
LPK33	3.87	98	4.50	114	3.12	79	3.75	95	3.00	76	.25	6	3	2.50	64	3.12	79	1.68
LPK34	4.75	121	4.50	114	4.00	102	3.75	95	3.00	76	.25	6	4	3.37	86	3.12	79	2.20
LPK43	4.50	114	5.50	140	3.75	95	4.75	121	4.25	121	.25	6	3	3.00	76	4.12	105	2.30
LPK44	5.62	143	5.50	140	4.87	124	4.75	121	4.25	121	.25	6	4	4.00	102	4.12	105	3.10
LPK64	5.62	143	7.50	191	4.87	124	6.75	171	5.50	140	.25	6	4	4.25	121	6.12	155	4.10
LPK66	7.87	200	7.50	191	7.12	181	6.75	171	5.50	140	.25	6	6	6.50	165	6.12	155	6.10
LPK84	5.81	148	10.50	267	5.06	129	8.75	222	4.25	108	.25	6	8	4.25	121	8.12	206	6.30
LPK86	8.19	208	10.50	267	7.44	189	8.75	222	4.25	108	.25	6	12	6.50	165	8.12	206	9.50
LPK88	10.56	268	10.50	267	9.81	249	8.75	222	4.25	108	.25	6	16	8.75	222	8.12	206	12.70
LPK812	15.31	389	10.50	267	14.56	370	8.75	222	4.25	108	.25	6	24	13.25	337	8.12	206	19.00

Accessories

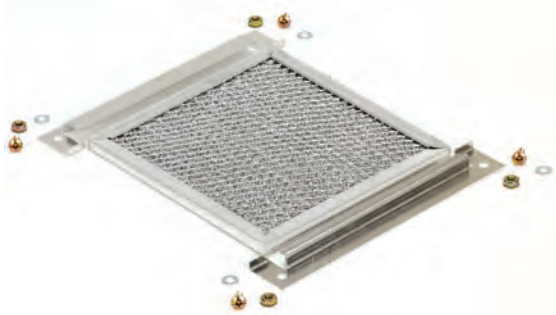


Notes: Dimensions are in inches. Millimeters shown are for reference only. Data subject to change without notice.

Bolt-On Accessories
Illustration Sheet and Catalog Number

Discount Schedule: C2
Subclass: DSO

Filters & Filter Adhesive



Designed for use with Louver Plate Kits. The Filter mounts securely inside of the enclosure using the brackets and hardware furnished with the kit. The Filter is comprised of finely woven aluminum strips which offers protection against airborne dust and dirt. Periodic washing with warm water is needed to keep the Filter clean. For best results, coating with Air Filter Adhesive (shown below) is recommended.

Filters

Filter	Used with Louver Plate
Catalog Number	Catalog Number
FLT33	LPK33
FLT34	LPK34
FLT43	LPK43
FLT44	LPK44
FLT64	LPK64
FLT66	LPK66
FLT84	LPK84
FLT86	LPK86
FLT88	LPK88
FLT812	LPK812

Filter Adhesive



Filter Adhesive

Catalog Number	Description
FAS-412	14 oz. Aerosol Spray

Use the filter adhesive to help increase efficiency of air filters. The adhesive spray helps trap small particles that normally pass through the filter and helps protect the elements within.

Notes: Dimensions are in inches. Millimeters shown are for reference only. Data subject to change without notice.

Accessories

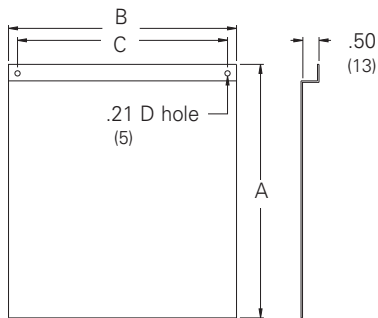
Bolt-On Accessories

Illustration Sheet and Catalog Number

Discount Schedule: C2

Subclass: DSO

Baffle Plates



Baffle Plates

Baffle Plate Catalog Number	A		B		C		Used with Louver Plate Catalog Number
	in.	mm	in.	mm	in.	mm	
BP23	3.25	83	3.25	83	2.50	64	LKP23
BP33	3.87	98	4.50	114	3.75	95	LKP33
BP34	4.75	121	4.50	114	3.75	95	LKP34
BP43	4.50	114	5.50	140	4.75	121	LKP43
BP44	5.62	143	5.50	140	4.75	121	LKP44
BP64	5.12	130	7.50	191	6.75	171	LKP64
BP66	7.37	187	7.50	191	6.75	171	LKP66
BP84	5.31	135	9.50	241	8.75	222	LKP84
BP86	7.68	195	9.50	241	8.75	222	LKP86
BP88	10.06	256	9.50	241	8.75	222	LKP88
BP812	14.81	376	9.50	241	8.75	222	LKP812

Baffle Plates are intended to be used with Louver Plates when it is necessary to prevent direct access into the enclosure through the louver opening. The plate is designed to mount to the inside of the enclosure using the same cut-out and mounting holes required to mount the Louver Plate Kit. Plates are (16) gauge steel and have an ANSI 61 gray polyester powder finish. UL Listed.

Hole Seals



Painted Steel - U.L. listed as Type 3R, 12, 13, & 4



Stainless Steel - U.L. listed as Type 4X

Oil-Tight Hole Seals

Catalog Number		Application	Max. Hole Diameter		Hole Seal Diameter	
Steel	Stainless		in.	mm	in.	mm
SPBG	SPBGSS	Miniature oil-tight pushbutton holes	0.88	22	1.22	31
SPB	SPBSS	Standard oil-tight pushbutton holes	1.25	32	1.75	44
S050	S050SS	1/2-inch conduit holes	.88	22	1.38	35
S075	S075SS	3/4-inch conduit holes	1.06	27	1.56	40
S100	S100SS	1-inch conduit holes	1.38	35	1.88	48
S125	S125SS	1 1/4-inch conduit holes	1.69	43	2.19	56
S150	S150SS	1 1/2-inch conduit holes	2.00	51	2.50	64
S200	S200SS	2-inch conduit holes	2.50	64	3.00	76
S250	S250SS	2 1/2-inch conduit holes	3.00	76	3.50	89
S300	S300SS	3-inch conduit holes	3.62	92	4.12	105
S350	S350SS	3 1/2-inch conduit hole	4.12	105	4.62	117
S400	S400SS	4-inch conduit holes	4.62	117	5.12	130

Protects knockout openings and extra pushbutton or conduit openings from dirt, oil, dust and water. Each hole seal has oil-resistant gasketing and plated stud and wing nut. Available in steel finished with ANSI 61 polyester powder or unpainted stainless steel.

Notes: Dimensions are in inches. Millimeters shown are for reference only. Data subject to change without notice.

Bolt-On Accessories

Illustration Sheet and Catalog Number

Discount Schedule: C2

Subclass: DSO

Drip Shields



NEMA 12 Drip Shield Kits

Catalog Number	Fits Enclosure
DK12A	12.00 inch wide
DK16A	16.00 inch wide
DK20A	20.00 inch wide
DK24A	24.00 inch wide
DK30A	30.00 inch wide
DK36A	36.00 inch wide

The NEMA 12 Drip Shield Kit is intended for use with Type 12 Single Door Wall-Mount Enclosures. It offers protection to the door and hardware from dripping water and falling dust. The drip shield is constructed from (14) gauge steel and has an ANSI 61 gray polyester powder finish. It attaches to the enclosure front, above the door. The kit includes a drip shield, stainless steel clamps, hardware and sealing compound. UL Listed



NEMA 4X Drip Shield Kits

Catalog Number	Fits Enclosure
DK12SS	12.00 inch wide
DK16SS	16.00 inch wide
DK20SS	20.00 inch wide
DK24SS	24.00 inch wide
DK30SS	30.00 inch wide
DK36SS	36.00 inch wide

The NEMA 4X Drip Shield Kit is intended for use with Type 4X and Type 4 Single Door Wall-Mount Enclosures. It offers protection to the door and hardware from dripping water and falling dust. The drip shield is constructed from (14) gauge steel and has a fine brushed finish. The shield attaches to the enclosure top front. The kit includes a drip shield, stainless steel hardware, and sealing compound. UL Listed.

Accessories

Casters



Casters for Series AW-9 and AW-14 Consoles

Catalog Number	Description	Mounting plate size (front to back)
4700-CC	Set of 4 casters, 2 mounting plates and hardware	16"
4700-CC2	Set of 4 casters, 2 mounting plates and hardware	19"

Each set contains 2 swivel casters and two stationary casters. Composition rubber wheel is self-lubricating and has a soft rubber tread with a hard rubber core. Each swivel wheel has a side brake. Each caster has a 200 pound load capacity.

Notes: Dimensions are in inches. Millimeters shown are for reference only. Data subject to change without notice.

Accessories

Bolt-On Accessories

Illustration Sheet and Catalog Number

Barrier



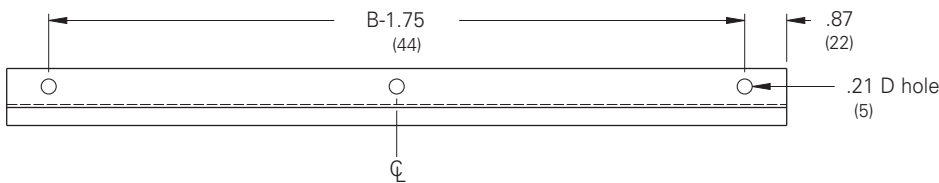
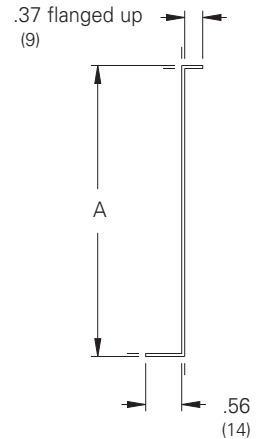
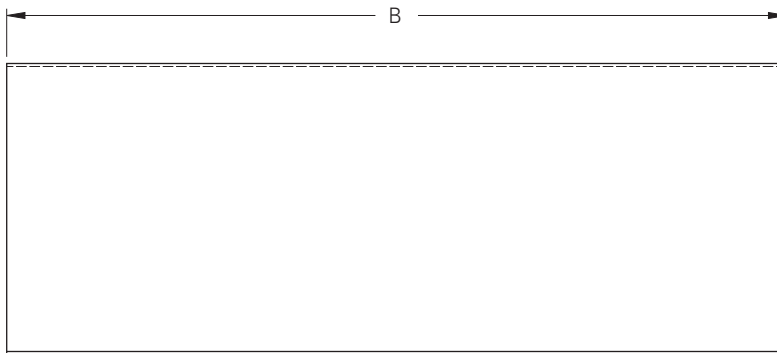
Barrier/Shelf Kits are intended for use with Type 1 and Type 3R Telephone Termination Cabinets. Barrier/Shelf kits can also be used with other types of enclosure designs provided the enclosure dimensions are large enough to fit the Barrier/Shelf (see table). The flanged lip design creates a ridged barrier construction or a shelf for containing and storing spare fuses and other components. Each kit includes all the necessary hardware for field installation. The Barrier/Shelf is constructed from (16) gauge steel and has an ANSI 61 gray polyester powder finish.

Barrier/Shelf Kit Catalog Number	A		B		Fits Enclosure (and larger) Length x Depth	
	in.	mm	in.	mm	in.	mm
BK412	3.87	98	11.75	298	12.00x4.00	305x102
BK415	3.87	98	14.75	375	15.00x4.00	381x102
BK418	3.87	98	17.75	450	18.00x4.00	457x102
BK424	3.87	98	23.75	603	24.00x4.00	610x102
BK430	3.87	98	29.75	756	30.00x4.00	762x102
BK436	3.87	98	35.75	908	36.00x4.00	914x102
BK448	3.87	98	47.75	1213	48.00x4.00	1219x102
BK612	5.87	149	11.75	298	12.00x6.00	305x152
BK615	5.87	149	14.75	375	15.00x6.00	381x152
BK618	5.87	149	17.75	450	18.00x6.00	457x152
BK624	5.87	149	23.75	603	24.00x6.00	610x152
BK630	5.87	149	29.75	756	30.00x6.00	762x152
BK636	5.87	149	35.75	908	36.00x6.00	914x152
BK648	5.87	149	47.75	1213	48.00x6.00	1219x152

Discount Schedule: C2

Subclass: A00

Accessories



(omit center hole where "B" is less than 23.75)

Notes: Dimensions are in inches. Millimeters shown are for reference only. Data subject to change without notice.

Bolt-On Accessories

Illustration Sheet and Catalog Number

Component Mounting Device



Component Mounting Device

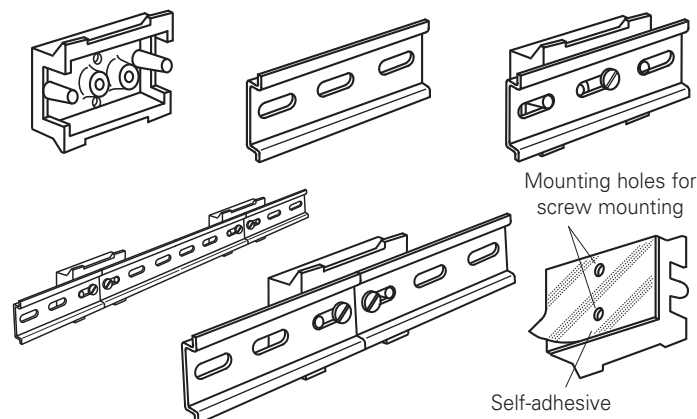
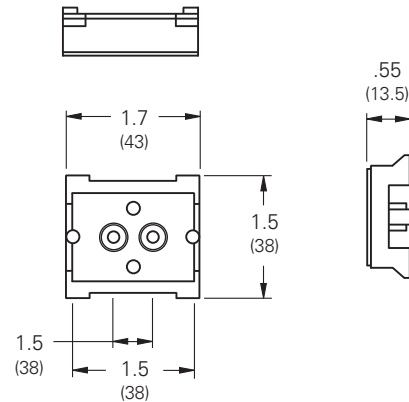
Catalog Number	Description
ECMD1	Small mounting aid

The Component Mounting Device is a small mounting aid especially designed to make mounting of small 35 mm DIN rail mountable components easier. It can be used whenever the installation of a 35 mm DIN rail is impractical, or when there is not enough space left in an enclosure. Because of its industrial grade self-adhesive it can be installed much easier and quicker than a conventional DIN rail, without hole drilling and screw mounting. B-Line's component mounting device can hold components up to 1.1 lbs in weight. The initial adhesive power is 40%. After 24 hours, it has its full holding power of 1.1 lbs. ECMD1 can also be screw mounted if a more secure mounting is desired or if the surface is rough. All that is necessary to install our ECMD1 is a smooth and clean surface. Sold in packages of five (5).

Discount Schedule: C2
Subclass: TH0

Technical Data

Application:	Direct attachment of small components and 35 mm DIN rails, EN 50022
Capacity:	0.44 lb. (200 g) initially 1.1 lb (500 g) after 24 hour waiting period
Mounting Surface:	All smooth surfaces, (e.g. metals, laquered surfaces, plastics other than polyethylene, polypropylene and rubber). Mounting surface must be dry and free from dust, oil, separating agents and other contamination.
Dimensions:	1.7x1.5x0.55" (43x38x14 mm)
Hole pattern:	0.5" distance, Δ 0.14" (12.8 mm; Δ 3.6 mm)
Material:	polyamide (rated UL 94V-0) with non-deteriorating high-performance adhesive
Temperature range:	-22° to +131°F (-30° to +55°C)
Included:	mounting screw for perforated 35 mm DIN rail, EN 50022



Notes: Dimensions are in inches. Millimeters shown are for reference only. Data subject to change without notice.

Accessories

Electrical Accessories Terminal Block Kits

Illustration Sheet and Catalog Number

JIC Terminal Strap Kit

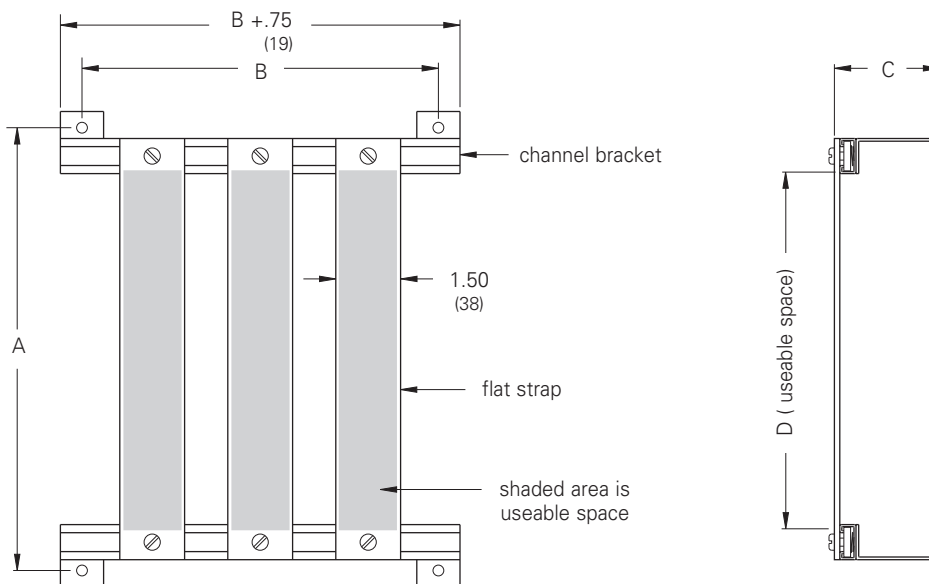


JIC Terminal Strap Kits fit all styles and types of JIC enclosures. The kits are furnished with flat straps for mounting Flat Based Terminal Blocks, (see Flat Based Terminal Blocks, page 445). There is adequate space on each terminal strap should the user wish to provide another style of block. Terminal straps are made from (10) gauge steel with an electrogalvanized finish. They are fastened to channel clamping nuts which allows them to adjust along the width of the channel bracket assembly. Extra Strap Kits can be ordered separately and come furnished with all hardware necessary for channel mounting.

Discount Schedule: C2
Subclass: DS0



Terminal Strap Kit	A		B		C		D		Quantity Of Straps	Fits Enclosure Height x Width		Extra Strap Kit
Catalog Number	in.	mm	in.	mm	in.	mm	in.	mm		in.	mm	Catalog Number
86TS	6.25	159	4.25	108	1.12	28	4.50	114	2	8.00x6.00	203x152	8TS
108TS	8.25	210	6.25	159	1.12	28	6.50	165	2	10.00x8.00	254x203	10TS
1210TS	10.25	260	8.25	210	2.43	62	8.50	216	3	12.00x10.00	305x254	12TS
1212TS	10.25	260	10.25	260	2.43	62	10.50	267	3	12.00x12.00	305x305	12TS
1412TS	12.25	311	10.25	260	2.43	62	10.50	267	3	14.00x12.00	356x305	14TS
1614TS	14.25	362	12.25	311	2.43	62	12.50	318	4	16.00x14.00	406x356	16TS

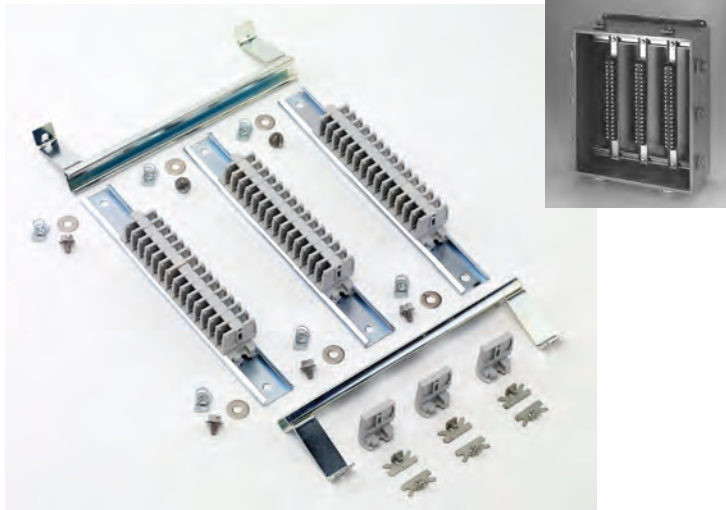


Notes: Dimensions are in inches. Millimeters shown are for reference only. Data subject to change without notice.

Electrical Accessories Terminal Block Kits

Illustration Sheet and Catalog Number

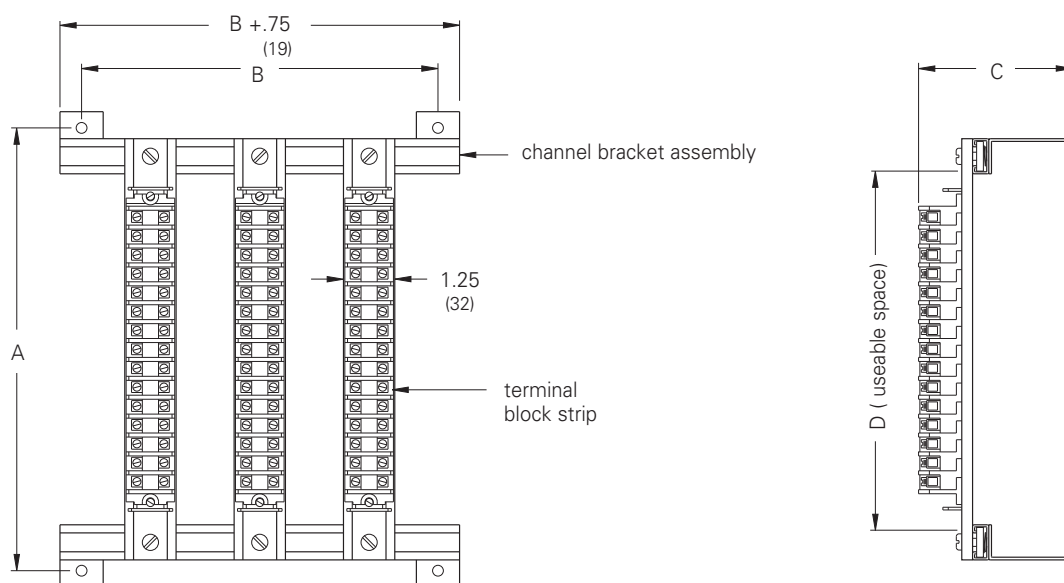
JIC Terminal Block Strip Kit



JIC Terminal Block Strip Kits fit all styles and types of JIC Enclosures. Kits are furnished with Terminal Strips and contain Medium-Duty Channel Mount Terminal Blocks, Terminal End and Clamps. Terminals have tubular screw type lugs which accept wire sizes from #18 through #8. Terminal Strips are fastened to channel nuts which allow them to adjust along the entire width of the channel bracket assembly. Extra Strip Kits can be ordered separately. They come furnished with all the hardware necessary for channel mounting but do not include the terminal blocks. Terminal blocks, ends, and clamps can be ordered separately as well, (see Channel Mount Terminal Blocks, page 444).

Discount Schedule: C2
Subclass: DS0

Terminal Strap Kit Catalog Number	A		B		C		D		Quantity Of Straps	Fits Enclosure Height x Width		Extra Strap Kit Catalog Number
	in.	mm	in.	mm	in.	mm	in.	mm		in.	mm	
86TB	6.25	159	4.25	108	2.15	55	4.50	114	2	8.00x6.00	203x152	8TB
108TB	8.25	210	6.25	159	2.15	55	6.50	165	2	10.00x8.00	254x203	10TB
1210TB	10.25	260	8.25	210	3.56	90	8.50	216	3	12.00x10.00	305x254	12TB
1412TB	12.25	311	10.25	260	3.56	90	10.50	267	3	14.00x12.00	356x305	14TB
1614TB	14.25	362	12.25	311	3.56	90	12.50	318	4	16.00x14.00	406x356	16TB



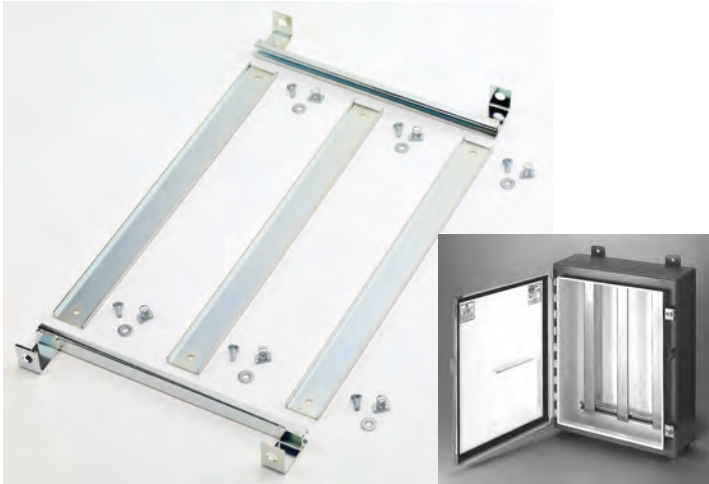
Notes: Dimensions are in inches. Millimeters shown are for reference only. Data subject to change without notice.

Accessories

Electrical Accessories Terminal Block Kits

Illustration Sheet and Catalog Number

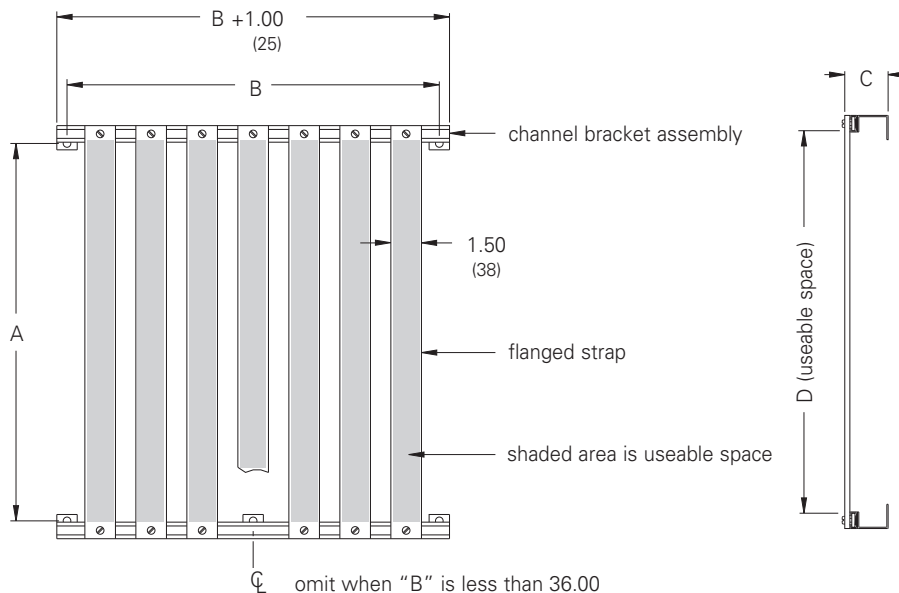
NEMA Terminal Strap Kits



NEMA Terminal Strap Kits fit Type 4, Type 4X and Type 12 Enclosures. Kits are furnished with flanged straps for mounting Flat Base Terminal Blocks, (See Flat Base Terminal Blocks, page 445). There is adequate space on each terminal strap should the user wish to provide another style block. Terminal straps are (14) gauge steel with an electrogalvanized finish. They are fastened to channel nuts which allow them to adjust along the width of the channel bracket assembly. Three channel brackets are supplied with kits that fit enclosures that are 36 inches wide. Extra Strap Kits can be ordered separately and come furnished with all hardware necessary for channel mounting.

Discount Schedule: C2
Subclass: DSO

Terminal Strap Kit Catalog Number	A		B		C		D		Quantity of Straps	Fits Enclosure Height x Width		Extra Strap Kit Catalog Number
	in.	mm	in.	mm	in.	mm	in.	mm		in.	mm	
16TS12	11.25	286	7.25	184	2.18	55	11.75	298	2	16.00x12.00	406x305	16S
20TS16	15.25	387	11.25	286	2.18	55	15.75	400	3	20.00x16.00	508x406	20S
20TS20	15.25	387	15.25	387	2.18	55	15.75	400	4	20.00x20.00	508x508	20S
24TS20	19.25	489	15.25	387	2.18	55	19.75	502	4	24.00x20.00	610x508	24S
24TS24	19.25	489	19.25	489	2.18	55	19.75	502	5	24.00x24.00	610x610	24S
30TS20	25.25	641	15.25	387	2.18	55	25.75	654	4	30.00x20.00	762x508	30S
30TS24	25.25	641	19.25	489	2.18	55	25.75	654	5	30.00x24.00	762x610	30S
36TS24	31.25	794	19.25	489	2.18	55	31.75	806	5	36.00x24.00	914x610	36S
36TS30	31.25	794	25.25	641	2.18	55	31.75	806	6	36.00x30.00	914x762	36S
42TS30	37.25	946	25.25	641	2.18	55	37.75	959	6	42.00x30.00	1067x762	42S
48TS36	43.25	1099	31.25	794	2.18	55	43.75	1111	7	48.00x36.00	1219x914	48S
60TS36	55.25	1403	31.25	794	2.18	55	55.75	1416	7	60.00x36.00	1524x914	60S



Notes: Dimensions are in inches. Millimeters shown are for reference only. Data subject to change without notice.

Electrical Accessories Terminal Block Kits

Illustration Sheet and Catalog Number

Discount Schedule: C2

Subclass: D50

Channel Mounted Terminal Blocks

Medium-Duty Channel Mount terminal blocks are rated at 600 VAC, 50 Amps. Terminal lugs are plated copper and have tubular screw contacts. Terminal wire range is from #22 through #8 AWG. Each terminal block top has a painted marking area intended for circuit designation. These blocks are designed to dovetail into channel and can be stacked in combination with both Medium-Duty and/or Heavy-Duty Channel Mount type terminals. One Channel Mount Terminal End and two Channel Clamps are required to terminate a stack of blocks (order separately).



CTB3005



CTE3001

Heavy-Duty Channel Mount terminal blocks are rated at 600 VAC, 90 Amps. Terminal lugs are plated copper and have tubular screw contacts. Terminal wire range is from #18 through #4 AWG. Each terminal block top has a painted marking area intended for circuit designation. These blocks are designed to dovetail into channel and can be stacked in combination with both Heavy-Duty and/or Medium-Duty Channel Mount type terminals. One Channel Mount Terminal End and two Channel Clamps are required to terminate a stack of blocks (order separately).



CT6005



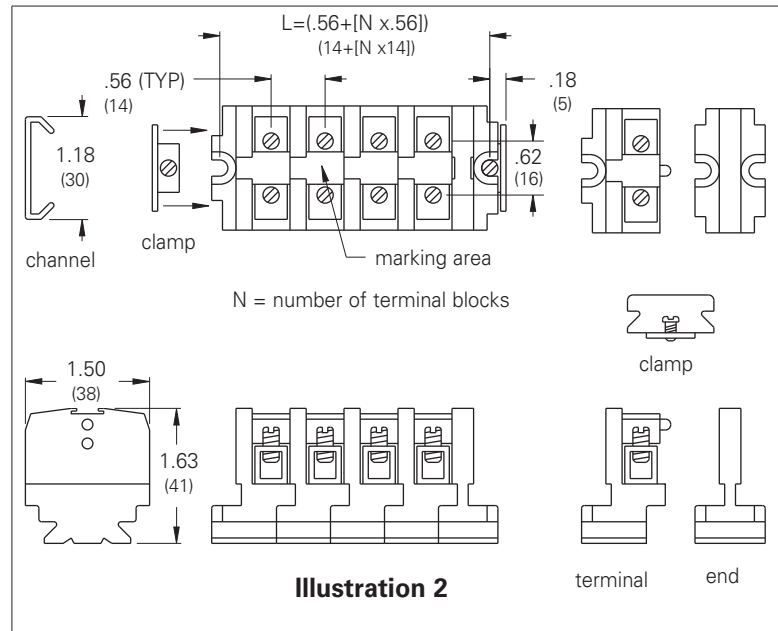
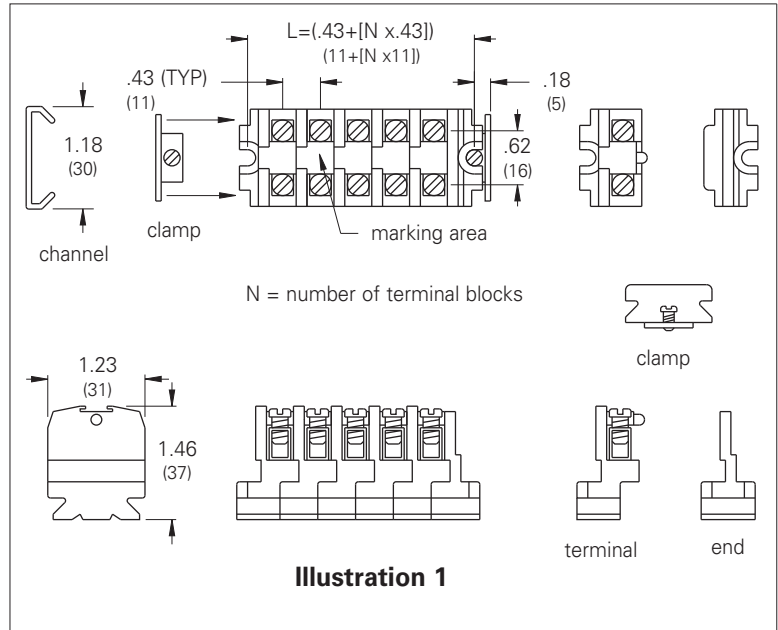
CE6001



CTC2



25012A



Catalog Number	Description	Illustration	Quantity
CTB3005	Medium-duty channel mount terminal	1	5
CTE3001	Medium-duty channel mount end	1	1
CT6005	Heavy-duty channel mount terminal	2	5
CE6001	Heavy-duty channel mount end	2	1
CTC2	Channel mount terminal clamp	1 & 2	2
25012A	Channel Strip (72 inch)	1 & 2	1

Notes: Dimensions are in inches. Millimeters shown are for reference only. Data subject to change without notice.

Accessories

Electrical Accessories Terminal Block Kits

Illustration Sheet and Catalog Number

Discount Schedule: C2
Subclass: DSO

Flat Base Terminal Blocks

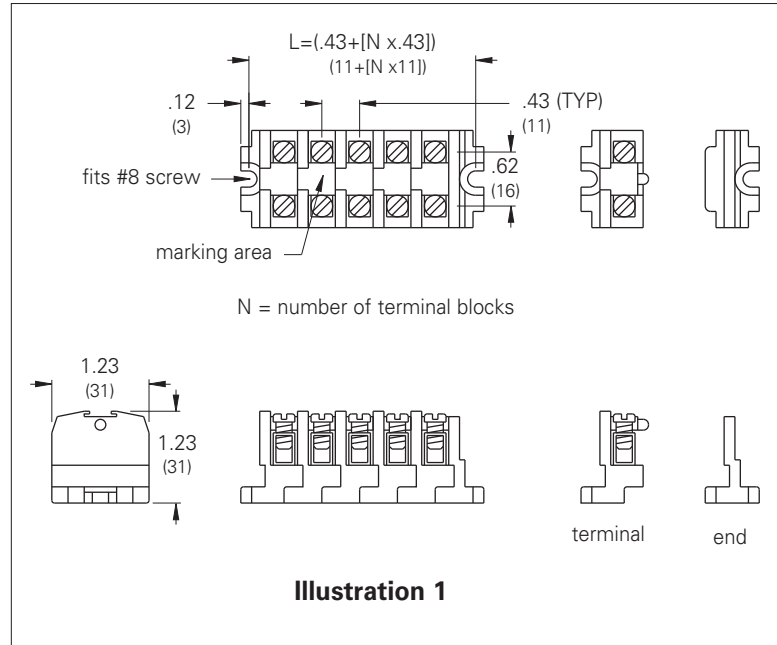
Medium-Duty Flat Base type terminal blocks are rated at 600 VAC, 50 Amps. Terminal lugs are plated copper and have tubular screw contacts. Terminal wire range is from #22 through #8 AWG. Each terminal block top has a painted marking area intended for circuit designation. These blocks are designed to stack in combination with both Medium-Duty and/or Heavy-Duty Channel Mount type terminals. One Flat Based Terminal End and hardware is required to terminate a stack of blocks (order separately).



FTB3005



FTE3001



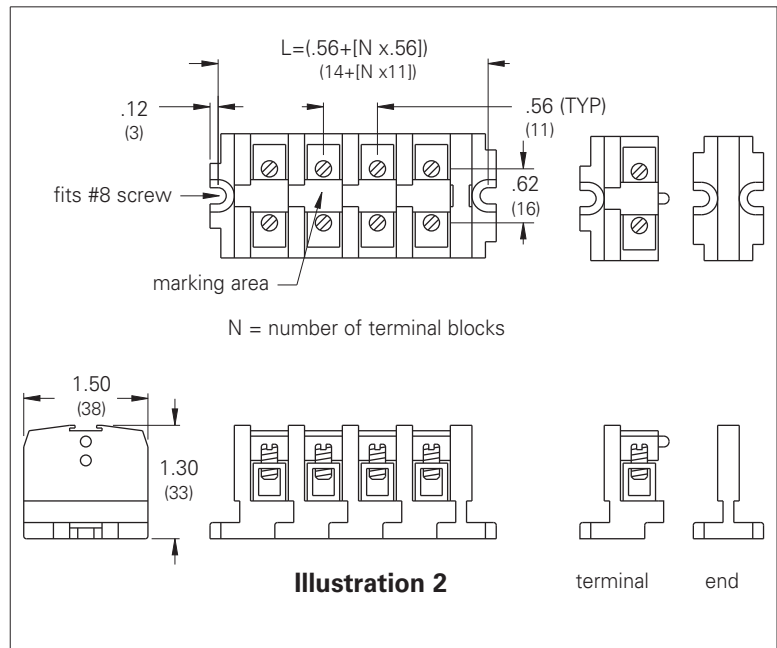
Heavy-Duty Flat Base terminal blocks are rated at 600 VAC, 90 Amps. Terminal lugs are plated copper and have tubular screw contacts. Terminal wire range is from #18 through #4 AWG. Each terminal block top has a painted marking area intended for circuit designation. These blocks are designed to stack in combination with both Heavy-Duty and/or Medium-Duty Flat Base type terminals. One Flat Base Terminal End and hardware is required to terminate a stack of blocks (order separately).



FT6005



FE6001



Catalog Number	Description	Illustration	Quantity
FTB3005	Medium-duty flat base terminal	1	5
FTE3001	Medium-duty flat end, (includes #8 screws)	1	1
FT6005	Heavy-duty flat base terminal	2	5
FE6001	Heavy-duty flat end, (includes #8 screws)	2	1

Notes: Dimensions are in inches. Millimeters shown are for reference only. Data subject to change without notice.

Electrical Accessories Terminal Strap Support & Lights Illustration Sheet and Catalog Number

Terminal Strap Support



Terminal Strap Support Kit

Catalog Number	Description
TSK	Two support brackets

This kit is intended for supporting the Terminal Straps and Strips off the back of panels or enclosure walls. The “Z” shaped brackets are made from (12) gauge steel and have a white enamel paint finish. Two brackets and hardware are furnished with each kit. Terminal Straps and Strips must be purchased separately.

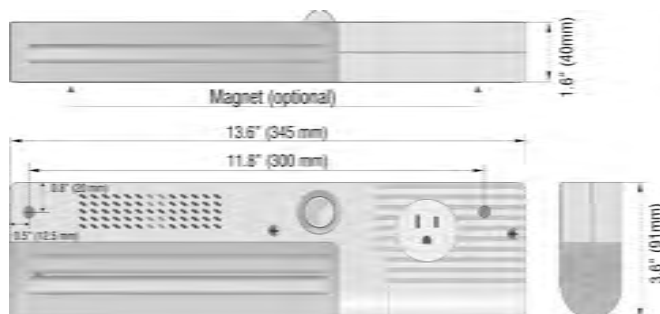
Discount Schedule: C2
Subclass: DS0

Electrical Accessories Enclosure Lights Illustration Sheet and Catalog Number



ELS25-120

ELMS25-120



Discount Schedule: C2
Subclass: DS0

Enclosure Lights

Catalog Number	Description
ELS25-120	Enclosure Light with on/off switch
ELMS25-120	Enclosure Light with motion sensor

The ELS25 light was designed to fit in tight spaces in enclosures. It features an optional integrated receptacle so that electrical devices (e.g. power tools) can be easily plugged in when needed. The standard light can be screw mounted in a variety of positions. The motion sensor version was designed to eliminate the need for a door switch.

- Also available in magnet mount models.

Technical Data

Operating voltage:	110-120V/50-60 Hz
Lamp type:	Compact fluorescent light bulb
Power consumption:	11 W (~75W incand.), Base: 2G7, electronic ballast
Light intensity:	900 Lm
Lamp life:	5,000 hours
Switch:	On/off switch (for light only)
Motion sensor:	PIR = Passive Infrared (see note)
Receptacle:	US/Canada, 120 VAC, 15A max.
Connection:	3 pole screw terminal for AWG 14 max. (2.5 mm ²) (includes cable strain relief)
Mounting:	M5 screws (not included), 11.8" (300mm) hole distance
Dimensions:	Length 13.6" (345mm) x Width 3.6" (91mm) x Depth 1.6" (40mm)
Housing:	Plastic UL94V-0
Weight:	0.9 lbs. (0.4 kg) - 1.3 lbs. (0.6 kg) with magnet
Protection Type:	IP 20
Agency Approvals:	VDE, UL



Note: A passive infrared (PIR) motion sensor detects the motion of the enclosure door being opened and automatically turns on the light. The sensor is factory pre-set to turn the light off 5 minutes after all motion ceases. The motion sensor does not detect movement through glass or fiberglass, thus allowing installation in enclosure with glass doors.

Notes: Dimensions are in inches. Millimeters shown are for reference only. Data subject to change without notice.

Accessories

Electrical Accessories LED 025 Enclosure Lights Illustration Sheet and Catalog Number

Discount Schedule: C2
Subclass: DS0



LED 025 light with on/off switch and screw mount

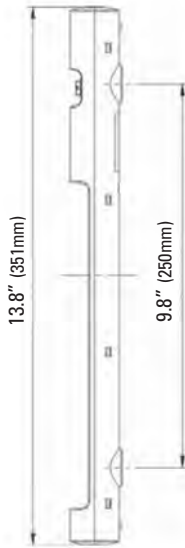


Enclosure Lights with Input Connector Included

Part No. screw mount	Operating voltage	Description
BL02540.0-01-0003	AC 100-240 V, 50/60 Hz (min. AC 90 V, max. AC 265 V)	starter on/off switch with power input connector
BL02540.0-01	AC 100-240 V, 50/60 Hz (min. AC 90 V, max. AC 265 V)	add-on on/off switch for daisy chaining
BL02541.0-01-0003	AC 100-240 V, 50/60 Hz (min. AC 90 V, max. AC 265 V)	starter PIR motion sensor ¹ with power input connector
BL02541.0-01	AC 100-240 V, 50/60 Hz (min. AC 90 V, max. AC 265 V)	add-on PIR motion sensor ¹ for daisy chaining

¹ Passive Infrared (PIR) motion sensor is factory pre-set to turn the light off 6 minutes after all motion ceases

On/off switch light



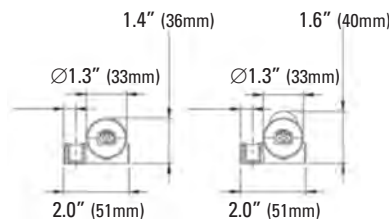
Other options:

- Available in magnet and clip mount models
- Available in DC models

Technical Data

Power consumption	max. 5 W (~ 75 W incandescent bulb)
Luminosity	400 Lm at 120° (1200 Lm at 360° or equivalent 95W light bulb)
Lamp type	LED, 120° angle of radiation light color - daylight, color temperature - 6,500 K
Service life	60,000 hrs. at 68 °F (20 °C)
Connection	2-pole plug with snap lock; AC: max. 2.5 A / AC 240 V, white connector; DC: max. 2.5 A / DC 60 V, blue connector
Housing	plastic, transparent
Mounting	magnet, M5 screws (not included), or clip (M6 screws) torque 2 Nm max.
Operating temperature	-22°F to +140 °F (-30°C to +60 °C)
Storage temperature	-40°F to +185 °F (-40°C to +85 °C)
Dimensions	see drawings
Protection type/Protection class	IP20 / II (double insulated)
Accessories	input connector (P/N: BL264057) and output connector (P/N: BL264058) cable for supply)P/N: BL244357) or cable for daisy chain (P/N: BL244359)
Approvals	UL File No. E234324, VDE, GOST-R

Screw mount end view



Notes: Dimensions are in inches. Millimeters shown are for reference only. Data subject to change without notice.

Electrical Accessories Interlocks

Illustration Sheet and Catalog Number

Discount Schedule: C2

Subclass: DSO



Electrical Interlocks

Catalog Number	Description	Volts/Hz
BAEK115NDH	Electrical Interlock	120/60

The BAEK115NDH is designed to be used with standard B-Line series enclosures that have no handles. This interlock requires drilling several holes in the cover and the body for mounting.



Electrical Interlocks

Catalog Number	Description	Volts/Hz
BAEK115	Electrical Interlock	120/60

The BAEK115 is designed to be used with standard B-Line series door latching mechanisms. When turned on, this interlock will prevent the door handle from being turned to open the door. This interlock is designed to fit handles in the following enclosures:

- (A) All two door NEMA 12 enclosures
- (B) Free standing NEMA 12 enclosures
- (C) All consoles
- (D) All single door NEMA 12 enclosures which have 3 pt. handle mechanisms.
- (E) Two door NEMA 12 enclosures for flange-mounted disconnects
- (F) Modular NEMA 12 enclosures
- (G) Multi-door NEMA 12 enclosures



Electrical Interlock Defeater

Catalog Number	Description
BAEKDF	Defeater

This defeater is key operated and enables personnel to enter an enclosure while the enclosures internal components are energized. Turning the key disengages the circuit to the electrical interlock.

Notes: Dimensions are in inches. Millimeters shown are for reference only. Data subject to change without notice.

Door Switch Illustration Sheet and Catalog Number

Discount Schedule: C2
Subclass: DSO

Part Number	Switch Type	Suitable Wire
BL01350.0-00	Change Over (CO)	Round cable, stranded wire AWG 18 to 17 (with wire end ferrule)
BL01351.0-00	Normally Closed (NC)	Round cable, stranded wire AWG 18 to 16 (with wire end ferrule)
BL01352.0-00	Normally Open (NO)	Round cable, stranded wire AWG 18 to 16 (with wire end ferrule)

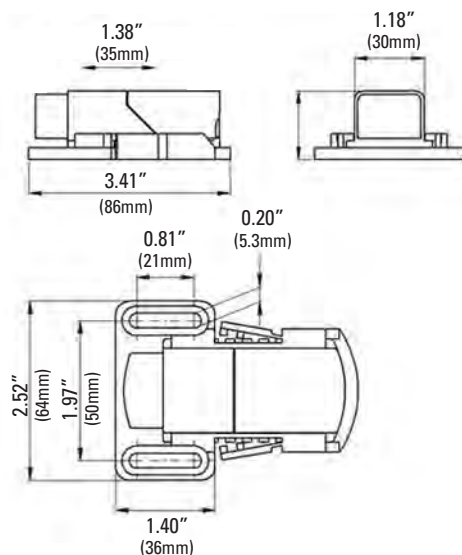
The door switch monitors the position of cabinet doors and is available in three versions. For example, it can be used for switching a light when opening a door (NC), or to activate a fan when closing a door (NO). The version with change over contact (CO) can be used as a normally closed and/or normally open contact. The wide mechanical adjustment range of the door switch offers versatile mounting; the housing is adjustable within a 1³/₈" (35mm) range, while the screw flange with a slotted hole offers an additional 1³/₁₆" (21mm). The travel of the switch is another 5/₁₆" (8mm).



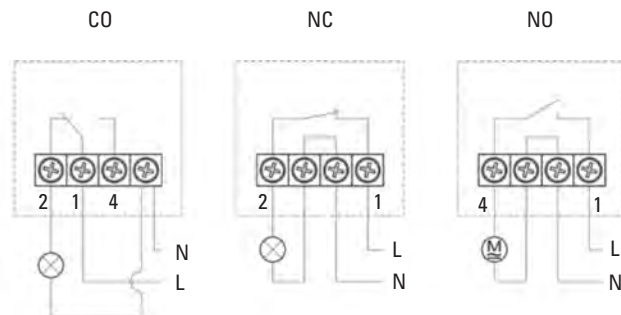
Technical Data

Maximum Switching Capacity	10A resistive / 1.5A inductive @ AC 250V
Service Life	VDE: > 10,000 cycles UL: > 6,000 cycles
Connection	4-pole clamp with strain relief, clamping torque 0.5 Nm maximum
Housing	plastic according to UL 94V-0, gray/black
Mounting	MS screws (not included)
Mounting Position	variable
Operating / Storage temperature	-4°F to +185°F (-20°C to +85°C)
Operating / Storage humidity	maximum 90% RH (non-condensing)
Dimensions	3.4" x 2.5" x 1.2" (87mm x 64mm x 30mm)
Weight	approximately 1.8 oz. (50g)
Protection Type	IP20
Approvals	UL & VDE intended

Dimensional Drawings



Wiring Diagrams



Notes: Dimensions are in inches. Millimeters shown are for reference only. Data subject to change without notice.

Electrical Accessories Receptacles

Illustration Sheet and Catalog Number



Discount Schedule: C2
Subclass: TH0

Receptacles for Enclosures

Catalog Number	Description
ER1	USA/Canada
ER2	Germany
ER3	France/Benelux
ER4	Switzerland
ER5	Great Britain/Ireland

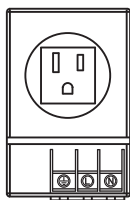
Provide a safe and convenient method for adding a receptacle/outlet inside electrical enclosures.

Technical Data

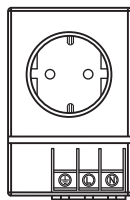
Maximum ratings:	15 amps @125 VAC
Mounting:	Clip for 35 mm DIN rail, EN 50022
Connection:	3xAWG14 max. (2.5 mm)
Dimensions:	3.6x2.4x1.9" (92x62x48 mm)



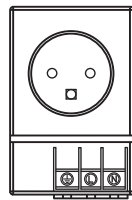
USA/Canada



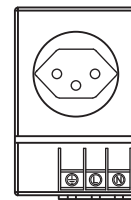
Germany



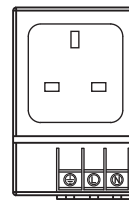
France



Switzerland



GB



CE

Notes: Dimensions are in inches. Millimeters shown are for reference only. Data subject to change without notice.

Columns & Bases

Illustration Sheet and Catalog Number



AC-44COL
shown

AC-44ACOL
shown

Construction

- Columns are fabricated from (14) gauge steel and provide rigid support of mounted equipment
- Flanges are (10) gauge steel
- All continuous welded seams are finished smooth
- External and internal edges are rounded to prevent injury or damage to cables
- Column has a gasketed access plate
- Kit consisting of a box connector, gasket and hardware is furnished
- Top flange of angle column type is at a 60° angle to the floor
- Bases have hole pattern suitable for any size or type column
- Floor mounting holes and leveling screws provided with each base

Finish

- Wash and phosphate undercoat
- ANSI 61 gray polyester powder finish

Standards

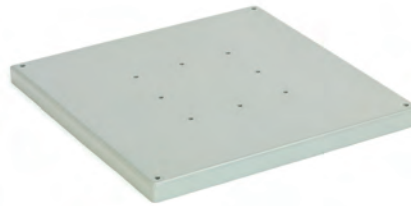
- Conforms to NEMA standard for Type 13 and Type 12

Application

- Enable floor mounting of various types of enclosures.
- Designed to support enclosures at a 60° angle to the floor

Discount Schedule: C2

Subclass: DR0



AC-1818BASE
shown

Columns

Catalog Number	Type	Column Size A x B		Access Opening	
		Width x Depth		Height x Width	
		in.	mm	in.	mm
AC-44COL	Straight	4.00x4.00	102x102	6.00x2.75	152x70
AC-44ACOL	Angled	4.00x4.00	102x102	6.00x2.75	152x70
AC-66COL	Straight	6.00x6.00	152x152	6.75x4.75	171x121
AC-66ACOL	Angled	6.00x6.00	152x152	6.75x4.75	171x121

Bases

Catalog Number	Base Size A x B		C	D
	Width	Depth		
	in.	mm		
AC-1818BASE	18.00x18.00	457x457	17.00x17.00	432x432
AC-2424BASE	24.00x24.00	610x610	23.00x23.00	584x584

Notes: Dimensions are in inches. Millimeters shown are for reference only. Data subject to change without notice.

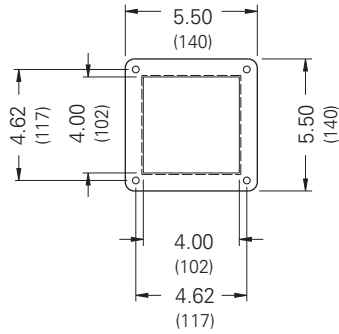
Columns & Bases

Illustration Sheet and Catalog Number

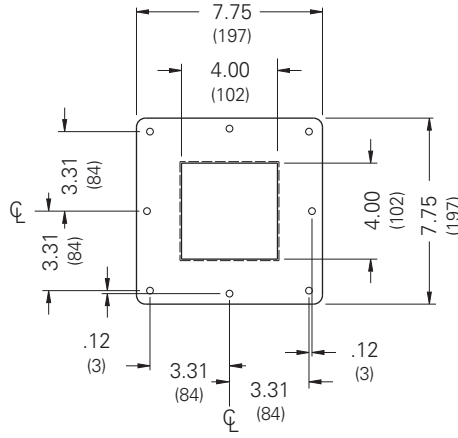
Flange Detail

4.00 x 4.00

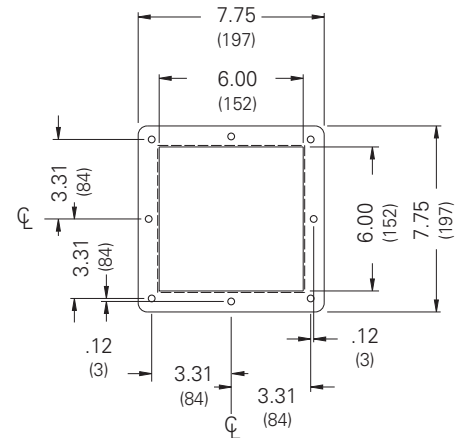
6.00 x 6.00



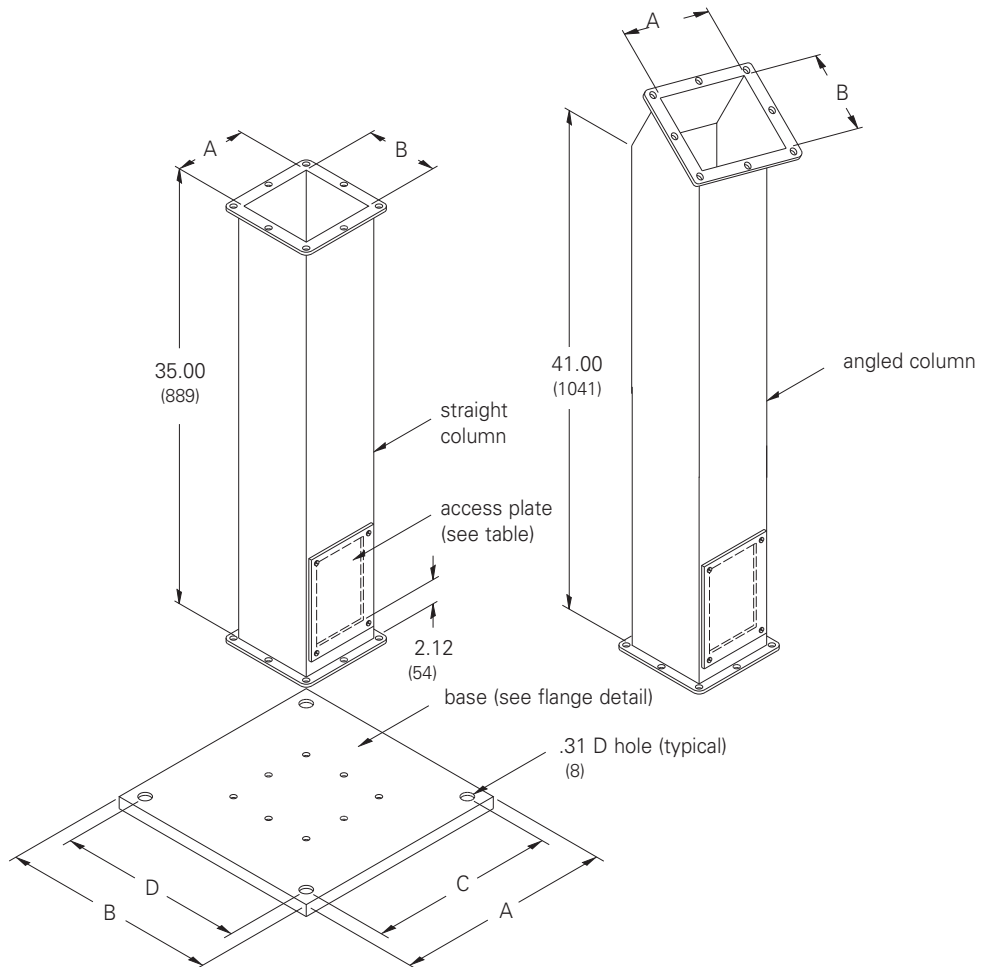
Top Flange



Bottom Flange



Top & Bottom Flange



Notes: Flange holes are .28 D. Flange radii are .37 R.
Dimensions are in inches. Millimeters shown are for reference only. Data subject to change without notice.



Accessories

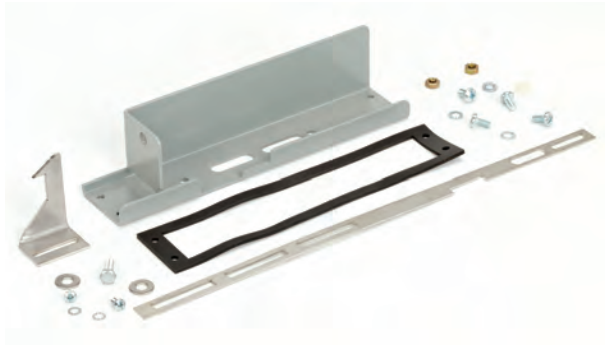
Disconnect Accessories

Illustration Sheet and Catalog Number

Discount Schedule: C2

Subclass: DSO

Operator Adapter Kits



AP-CH shown

Operator Adapter Kits

Catalog Number	Brand and Type of Operator
AP-ABFD	Allen-Bradley† 1494F and 1494D
AP-ABV	Allen-Bradley† 1494V or 1494U
AP-CH	Cutler-Hammer† C361, C371/ABB Controls
AP-GE	General Electric† STDA
AP-ITE	I-T-E Max-Flex†
AP-SD	Square D† Class 9422, (variable depth only)
AP-WSM	Westinghouse† SM
AP-WAMT	Westinghouse† AMT (below handle) and Flex Shaft™

† Marks are the property of their respective owners.

Intended for use on all B-Line series disconnect enclosures with universal cutouts. Adapter kits are required to install a disconnect in B-Line series enclosures with universal mounts. Each kit contains an adapter plate and all parts used to interlock the disconnect operating mechanism with the master door. Installation instructions are included in each kit.

Blank Adapter Plates



Blank Adapter Plates

Catalog Number	Description
7.5 BAP	Wall-mounted Enclosures
10.5 BAP	Floor and Free-Standing Enclosures

Blank Adapter Plates are designed to cover the cut-outs in either the flange or center post on Disconnect Enclosures when the disconnect switch is not installed. Plates are constructed from 12 gauge steel. Each kit contains two plates, gasket, and hardware. The kit is designed to sandwich the gasket between the enclosure opening and exterior plate. The exterior plate has an ANSI 61 gray enamel paint finish, the interior plate has a white enamel paint finish.

Notes: Dimensions are in inches. Millimeters shown are for reference only. Data subject to change without notice.

Hardware

Illustration Sheet and Catalog Number

Hardware Packages

Hardware Packages

Catalog Number	Description	Typical Use	Quantity
10168	#8-32 x .375 inch self tapping steel screw	Perforated panels	20
10169	#10-32 screw	JIC 12 & 14, small 3R & 1 panel mtg	4
10240 A	#10-32 stainless screw	JIC 4X panel mtg	4
10242 A	.375-16 stainless flange nut	NEMA 4X panel mtg	4
10242 B	.375-16 stainless flange nut	NEMA 4X panel mtg	6
10242 C	.375-16 stainless flange nut	NEMA 4X panel mtg	8
10242 D	.375-16 stainless flange nut	NEMA 4X panel mtg	10
10243 A	.375-16 flange nut	NEMA 12 & 4, large 3R panel mtg	4
10243 B	.375-16 flange nut	NEMA 12 & 4, large 3R panel mtg	6
10243 C	.375-16 flange nut	NEMA 12 & 4, large 3R panel mtg	8
10243 D	.375-16 flange nut	NEMA 12 & 4, large 3R panel mtg	10
10108 A	Formed hinge and screw	RTHC cover mtg	2
10118 A	#10-32 gasketed screw	WPSC cover mtg	10
10129 A	Oval head screw, cupped washer	Type 1 telephone cabinet cover mtg	10
10119 A	#10-32 retaining screw & washer	JIC-SC, consolet, console, pushbutton cover mtg	10
10166 A	#10-32 x .50 inch steel screw	Miscellaneous cover mtg	20
10167 A	#10-32 x .50 inch stainless screw	Miscellaneous cover mtg	20
29645	#10-32 ground screw	Type 1 Junction Boxes	1
29646	#10-32 square flat screw	Screw Covers	2

A variety of Hardware Packages intended to be used as replacement hardware parts for the different styles and types of B-Line series enclosures. For more information or for availability of other replacement parts consult the factory.

Discount Schedule: C2
Subclass: DS0

Accessories

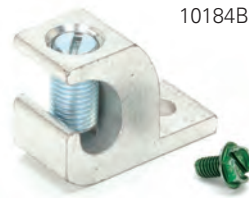
Hardware

Illustration Sheet and Catalog Number

Ground Lug Kits



10184A



10184B



10184C

Ground Lug Kits

Catalog Number	Wire Range	Fastener
10184 A	#6-#14 AWG CU/AL	#10-32
10184 B	1/0-#14 AWG CU/AL	#10-32
10184 C	250MCM-1/0 CU/AL	.25-.20

Ground Lug Kits are intended to provide a means for equipment grounding for most enclosures. Lug sizes 1/0 and above have a "J" shaped design to lay-in wire and cable. The fastener is colored green to meet NEC standards for grounding devices.

Grounding Devices



GLK2



GS88



GS816

Catalog Number	Description	Approximate Wire Size	Length Between Ring Terminals		Ring Terminal For Stud Diameter	
			in.	mm	in.	mm
GLK2	Grounding Kit	-	-	-	-	-
GS88	Grounding Strap	#8	8.00	203	.250	6
GS816	Grounding Strap	#8	16.00	406	.250	6
GS48	Grounding Strap	#4	8.00	203	.375	10
GS416	Grounding Strap	#4	16.00	406	.375	10

C.S.A. Grounding Kit is intended for use on Industrial Control Enclosures with panels where product must comply with Canadian Standards Association (C.S.A.) requirements. The kit includes hardware, labels and instructions for application. The grounding strap is used to provide electrical continuity between metal parts which must be electrically connected. The strap is stranded copper with a ring terminal at each end. The strap is insulated in green wrap.

Discount Schedule: C2
Subclass: DSO



GS48

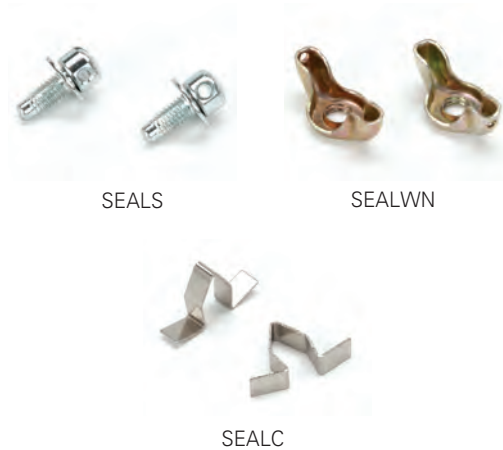


GS416

Notes: Dimensions are in inches. Millimeters shown are for reference only. Data subject to change without notice.

Hardware Illustration Sheet and Catalog Number

Sealing Device Packages



Sealing Device Packages		
Catalog Number	Description	Quantity
SEALS	Wire seal screw	10
SEALWN	Wire seal wing nut	10
SEALC	Wire seal clip	10

Sealing hardware devices are used as replacement pieces for various enclosures and wireway. All hardware is plated.

Discount Schedule: C2
Subclass: DS0

Channel Nuts



Channel Nut Package		
Catalog Number	Description	Quantity
TN228-20	Large, .375-16 thread	20
N624-20	Small, .25-20 thread	20
N627-20	Small, 10-32 thread	20

Channel Nuts are intended to be used on channel strut typically found in Consoles, Free-Standing, Terminal, and Disconnect Enclosures. There are two sizes of clamp nuts available. One size fits the 1.62 inch wide (large) channel; the other fits the .81 inch wide (small) channel. The small channel nuts come in two thread sizes (see table).

Discount Schedule: C2
Subclass: DS0

Touch-Up Paint

Touch-Up Paint	
Catalog Number	Description
84033	White enamel
84034	ANSI 61 gray
84035	RAL 7035 light gray

Touch-Up Paint can be used to repair the finish of panels and enclosures. Paint is available in ANSI 61, RAL 7035, and White Enamel in 12oz. spray cans.



Notes: Dimensions are in inches. Millimeters shown are for reference only. Data subject to change without notice.



Industry Standards	458-459
Enclosure Comparison Charts	460-461
Materials & Finishes	462
Corrosion Charts	463-467
Wireway Selection Charts	468-470
Decimal & Metric Equivalents	471
Metric Conversion Charts	472

Industry Standards

Enclosure Ratings

Third party certifiers, such as UL & CSA, have adopted most of the enclosure ratings from the ANSI /NEMA 250 standard for electrical enclosures. Such ratings identify the environmental capabilities of enclosures based on specified performance criteria. Thus, the type of enclosure can be selected as deemed appropriate for the application.

These enclosures are intended to house electrical equipment rated at no more than 1000 volts for use in nonhazardous locations. Such enclosures do not protect devices against conditions such as condensation, icing, corrosion or contamination which may occur within the enclosure or may enter via the conduit or unsealed openings, and are not intended to prevent entry or operation by unauthorized personnel.

Sources of Standards



NATIONAL ELECTRICAL MANUFACTURERS ASSOCIATION

1300 North 17th Street

Suite 1847

Rosslyn, VA 22209

- NEMA Standards Publication No. 250, Enclosures for Electrical Equipment (1000 Volts Maximum)
- NEMA Standards Publication No. ICS6, Enclosures for Industrial Controls and Systems



ELECTRICAL/ELECTRONIC MANUFACTURERS ASSOCIATION OF CANADA

10 Carlson Court, Suite 500

Rexdale (Toronto), Ontario

Canada, M9W 6L2



UNDERWRITERS LABORATORIES INC.

333 Pfingsten Road

Northbrook, IL 60062

- UL 50, Enclosures for Electrical Equipment
- UL 50E, Enclosures for Electrical Equipment Environmental Considerations
- UL 508A, Industrial Control Panels
- UL 870, Wireway, Auxiliary Gutters and Associated Fittings
- UL 414, Meter Sockets



CANADIAN STANDARDS ASSOCIATION

178 Rexdale Boulevard

Rexdale (Toronto), Ontario

Canada, M9W 1R3

- CSA Standard C22.2 No. 94, Special Purpose Enclosures, Industrial Control Equipment for use in Ordinary (Nonhazardous) locations.
- CSA Standard C22.2 No. 40 M1989, Cutout, Junction & Pull Boxes
- CSA Standard C22.2 No. 26 1952, Wireways, Auxiliary Gutters & Associated Fittings
- CSA Standard C22.1, 1990, Canadian Electrical Code

NFPA

NATIONAL FIRE PROTECTION ASSOCIATION

Batterymarch Park




Quincy, MA 02269

- NFPA 70 National Electrical Code

Industry Standards

An enclosure is a surrounding case constructed to provide a degree of protection to personnel against incidental contact with the enclosed equipment and to provide a degree of protection to the enclosed equipment against specified environmental conditions.

A brief description of the more common types of enclosures used by the electrical industry relating to their environmental capabilities follows:

 NEMA	 UL (UL 50)	 CSA 22.2 No. 94-M91
Type 1 Enclosures are intended for indoor use primarily to provide a degree of protection against limited amounts of falling dirt.	Type 1 Indoor use primarily to provide a degree of protection against limited amounts of falling dirt.	Type 1 General purpose enclosure. Protects against accidental contact with live parts.
Type 3 Enclosures are intended for outdoor use primarily to provide a degree of protection against rain, sleet, wind blown dust and damage from external ice formation.	Type 3 Outdoor use primarily to provide a degree of protection against rain, sleet, windblown dust and damage from external ice formation.	Type 3 An enclosure for either indoor or outdoor use, constructed so as to provide a degree of protection against rain, snow, and windblown dust; undamaged by the external formation of ice on the enclosure.
Type 3R Enclosures are intended for outdoor use primarily to provide a degree of protection against rain, sleet and damage from external ice formation.	Type 3R Outdoor use primarily to provide a degree of protection against rain, sleet, and damage from external ice formation.	Type 3R An enclosure for either indoor or outdoor use, constructed so as to provide a degree of protection against rain, and snow, undamaged by the external formation of ice on the enclosure.
Type 4 Enclosures are intended for indoor or outdoor use primarily to provide a degree of protection against windblown dust and rain, splashing water, hose-directed water and damage from external ice formation.	Type 4 Indoor or outdoor use primarily to provide a degree of protection against windblown dust and rain, splashing water, hose-directed water and damage from external ice formation.	Type 4 An enclosure for either indoor or outdoor use, constructed so as to provide a degree of protection against rain, snow, windblown dust, splashing and hose-directed water; undamaged by the external formation of ice on the enclosure.
Type 4X Enclosures are intended for indoor or outdoor use primarily to provide a degree of protection against corrosion, windblown dust and rain, splashing water, hose-directed water and damage from external ice formation.	Type 4X Indoor or outdoor use primarily to provide a degree of protection against corrosion, windblown dust and rain, splashing water, hose-directed water and damage from external ice formation.	Type 4X An enclosure for either indoor or outdoor use, constructed so as to provide a degree of protection against rain, snow, windblown dust, splashing and hose-directed water; undamaged by the external formation of ice on the enclosure; resists corrosion.
Type 12 Enclosures are intended for indoor use primarily to provide a degree of protection against circulating dust, falling dirt and dripping noncorrosive liquids.	Type 12/12K Indoor use primarily to provide a degree of protection against circulating dust, falling dirt and dripping noncorrosive liquids.	Type 12 An enclosure for indoor use, constructed so as to provide a degree of protection against circulating dust, lint, fibres, and flyings; dripping and light splashing of noncorrosive liquids; not provided with knockouts.
Type 12K Enclosures with knockouts are intended for indoor use primarily to provide a degree of protection against circulating dust, falling dirt and dripping noncorrosive liquids.		Type 12K An enclosure for indoor use, constructed so as to provide a degree of protection against circulating dust, lint, fibres, and flyings; dripping and light splashing of noncorrosive liquids; and provided with knockouts.
Type 13 Enclosures are intended for indoor use primarily to provide a degree of protection against dust, spraying of water, oil and noncorrosive coolant.	Type 13 Indoor use primarily to provide a degree of protection against dust, spraying of water, oil and noncorrosive coolant.	Type 13 An enclosure for indoor use, constructed so as to provide a degree of protection against circulating dust, lint, fibres, and flyings; seepage and spraying of noncorrosive liquids including oils and coolants.

This material reprinted by permission of the National Electrical Manufacturers Association from NEMA Standards Publication 250, copyright 2005 by NEMA.

Engineering Data

Comparison of Specific Applications of Enclosures for Indoor Nonhazardous Locations

Provides a degree of protection against the following environmental conditions	Enclosure Type					
	1*	4	4X	12	12K	13
Incidental contact with the enclosed equipment	X	X	X	X	X	X
Falling Dirt	X	X	X	X	X	X
Falling liquids and light splashing		X	X	X	X	X
Circulating dust, lint, fibers and flyings**		X	X	X	X	X
Settling airborne dust, lint, fibers and flyings**		X	X	X	X	X
Hosedown and splashing water		X	X			
Oil and coolant seepage				X	X	X
Oil or coolant spraying and splashing						X
Corrosive agents			X			
Occasional temporary submersion						
Occasional prolonged submersion						

* These enclosures may be ventilated.

** These fibers and flying are nonhazardous materials and are not considered the Class III type ignitable fibers or combustible flyings. For Class III type ignitable fibers or combustible flyings see the National Electrical Code, Article 500.

Comparison of Specific Applications of Enclosures for Outdoor Nonhazardous Locations

Provides a degree of protection against the following environmental conditions:	Enclosure Type			
	3	3R***	4	4X
Incidental contact with the enclosed equipment	X	X	X	X
Rain, snow and sleet*	X	X	X	X
Sleet**				
Windblown dust	X		X	X
Hosedown			X	X
Corrosive agents				X
Occasional temporary submersion				
Occasional prolonged submersion				

* External operating mechanisms are not required to be operable when the enclosure is ice covered.

** External operating mechanisms are operable when the enclosure is ice covered.

*** These enclosures may be ventilated.

"This material is reproduced by permission of the National Electrical Manufacturers Association from NEMA Standards Publication 250, copyright 1996 by NEMA."

Comparison Between NEMA Enclosure Type Numbers and IEC Enclosure Classification Designations

IEC Publication 529 *Classification of Degrees of Protection Provided by Enclosures* provides a system for specifying the enclosures of electrical equipment on the basis of degree of protection provided by the enclosure. IEC 529 does not specify degrees of protection against mechanical damage of equipment, risk of explosions, or conditions such as moisture (produced for example by condensation), corrosive vapors, fungus or vermin. NEMA Standards Publication 250 does test for environmental conditions such as corrosion, rust, icing, oil and coolants. For this reason, and because the tests and evaluations for other characteristics are not identical, the IEC Enclosure Classification Designations cannot be exactly equated with NEMA Enclosure Type Numbers.

The IEC designation consists of the letters IP followed by two numerals. The first characteristic numeral indicates the degree of protection provided by the enclosure with respect to persons and solid foreign objects entering the enclosure. The second characteristic numeral indicates the degree of protection provided by the enclosure with respect to the harmful ingress of water.

Table A-1 provides an equivalent conversion from NEMA Enclosure Type Numbers to IEC Enclosure Classification Designations. The NEMA Types meet or exceed the test requirements for the associated IEC Classifications; for this reason Table A-1 cannot be used to convert from IEC Classifications to NEMA Types.

Table A-1 Conversion of NEMA Type Numbers to IEC Classification Designations
(Cannot be used to convert IEC Classification Designations to NEMA Type Numbers)

NEMA Enclosure Type Number	IEC Enclosure Classification Designation
1	IP20
2	IP22
3	IP55
3R	IP24
3S	IP55
4 and 4X	IP66
5	IP53
6 and 6P	IP67
12 and 12K	IP54
13	IP54

Note: This comparison is based on tests specified in IEC Publication 529.

Components Suitable for Closing Openings in Enclosures

Enclosure Type	Openings shall be closed by equipment rated for enclosure types
3	3, 3S, 4, 4X
3R	3, 3R, 3S, 4, 4X
4	4, 4X
4X	4X
12,12K	12, 12K, 13, 4, 4X
13	13

Materials and Finishes

Caution: Environmental capabilities of enclosures, including materials and finishes, are limited to the degree of protection provided by the “type” rating of the selected enclosure. See industry standards for more information.

METALS

Characteristics of Various Metals

Hot Rolled Pickled and Oiled Steel Sheets (ASTM A1011)

A low-carbon, hot-finished steel that has had the normal mill oxide removed by means of an acid bath. After de-scaling, an oil film is applied to protect the surface. Removal of the mill oxide improves the surface appearance, uniformity, and finishing quality.

Cold Rolled Steel (ASTM A1008)

A low-carbon, cold-finished steel having commercial quality, close thickness tolerance and better surface than hot rolled pickled and oiled.

Galvanized/Galvanneal Steel (ASTM A653)

Steel with a zinc coating applied by the hot dip galvanizing process. The zinc coating provides a degree of corrosion protection, and also provides some protection at the sheared edges.

Stainless Steel Type 304, 316, or 316L

An excellent corrosion resistant material with excellent mechanical properties. It has many of the same chemical resistance attributes of fiberglass materials.

5052-H32 Aluminum

An excellent alloy for enclosure manufacturing. It exhibits good resistance to corrosion in a marine atmosphere.

Gasket Material

Peel and stick - high density polyurethane gasket with excellent compression set and oil resistance.

Temperature range for consistent use: -40°F to +194°F

Foam In Place (FIP) - two-component polyurethane foam gasket with good adhesion, strong shape re-setting, and seamless flexible size shape geometry.

Temperature range for consistent use: -40°F to +212°F

Closed cell neoprene - broad temperature range and strong resistance to aging, UV, oxidation, and ozone.

Temperature range for consistent use: -40°F to +200°F

Finishes

Polyester Urethane - Powder: A durable and smooth coating with good adhesion and corrosion resistance suitable for outdoor use. Provides good impact protection against heat or chemicals.

Electrocoat (E-Coat) - Liquid: A rugged cathodic acrylic coating that results in a unique combination of durability and corrosion resistance.

Epoxy - Powder: A tough, durable finish which is corrosion resistant and resistant to many solvent oils. Gloss may be affected by prolonged exposure to UV light.



Corrosion Resistance

We manufacture enclosures from a wide range of materials, offering varying degrees of resistance against chemical corrosion. All materials are affected by corrosion in some manner. Depending on the physical properties of the material and the environment to which it is exposed, chemical or electromechanical corrosion may occur. In order to select the appropriate material for your application, refer to the corrosion resistance table on the following pages.

Atmospheric Corrosion

Atmospheric corrosion occurs when a material is exposed to airborne liquids, solids, or gases. Some sources of atmospheric corrosion are moisture, salt, dirt, and sulfuric acid. This form of corrosion is typically worse outdoors, and especially near marine environments.

To combat the effects of atmospheric corrosion, the National Electrical Manufacturers Association (NEMA) has developed the NEMA 4X rating. An enclosure carrying the NEMA 4X rating meets certain minimum conditions of corrosion resistance. Specifically, the materials from which NEMA 4X rated enclosures are formed must withstand two hundred hours of salt spray with no more evidence of corrosive pitting than is exhibited by a concurrently tested sample of Type 304 stainless steel.

We offer metallic NEMA 4X rated enclosures in aluminum, and stainless steel Type 304 and Type 316L as well as a full line of NEMA 4X rated non-metallic enclosures.

Chemical Corrosion

Chemical corrosion takes place when a material comes into direct contact with a corrosive agent. The severity of chemical corrosion is affected by chemical concentration level, frequency of washing, and operating temperature. Refer to the chart below for a general overview of how different enclosures might perform when in contact with chemicals of varying pH. The chart is provided as a quick guide to how different materials might perform in your environment. We recommend consulting the detailed corrosion resistance table provided on the following pages to be sure that the appropriate material is selected.

Storage Corrosion

Wet storage stain (White rust) is caused by the entrapment of moisture between the surfaces of closely packed and poorly ventilated material for an extended period. Wet storage stain is usually superficial, having little effect on the properties of the material.

Proper handling and storage will help to assure stain free material. If a product arrives wet, it should be unpacked and allowed to dry before storage. Dry material should be stored in a well-ventilated, low-moisture environment to avoid the formation of condensation. Outdoor storage is undesirable and should be avoided whenever possible.

Galvanic Corrosion

Galvanic corrosion occurs when two or more dissimilar metals are in contact in the presence of seawater or another electrolyte. In this situation, an electrolytic cell is created and the metals become either an anode or a cathode. The anodic material will corrode and the cathodic material will be protected.

Whether a material is anodic depends on the relative positions of the interacting materials in the Galvanic Series Table (shown at left). For example: If zinc and steel are in contact, the zinc acts as the anode and will corrode while protecting the steel. If steel and copper are in contact, the steel is now the anode and will corrode while protecting the copper.

The rate at which galvanic corrosion occurs depends on several factors:

1. The amount and concentration of electrolyte present. An indoor, dry environment will support little or no galvanic corrosion relative to a wet atmosphere.
2. The relative amount of the materials. A small amount of anodic material in contact with a large amount of cathodic material will result in accelerated corrosion of the anodic material. Inversely, a large amount of anodic material in contact with a small amount of cathodic material will decrease the rate of corrosion.
3. The relative position of the materials in the Galvanic Series. The further apart the interacting materials are in the Galvanic Series, the greater the potential for corrosion of the anodic material.

	Solvent	Caustic	Acid
Preferred	Stainless Steel Type 316 Stainless Steel Type 304 Non-Metallic Aluminum Steel, Epoxy Powder Coated	Non-Metallic Stainless Steel Type 316 Stainless Steel Type 304	Non-Metallic Stainless Steel Type 316 Stainless Steel Type 304
Satisfactory	Non-Metallic	Non-Metallic	Non-Metallic Steel, Epoxy Powder Coated
Limited		Steel, Epoxy Powder Coated Aluminum	Aluminum

Note: The corrosion data given in the table on the following pages is for general comparison only. (Reference Corrosion Resistance Tables, Second Edition)
The presence of contaminants in chemical environments can greatly affect the corrosion rate of any material. B-Line strongly suggests that field service tests or simulated laboratory tests using actual environmental conditions be conducted in order to determine the proper materials and finishes to be selected. We offer no guarantee or warranty as to the suitability of a particular material for use in any specific environment which is beyond our control.

Engineering Data

Corrosion Resistance Table

Chemical	Unpainted Metal Enclosures									Painted Steel Enclosures					
	Aluminum			Stainless Steel Type 304			Stainless Steel Type 316			Acrylic Electrocoat, ANSI 61 Gray			Polyester Powdercoat, ANSI 61 Gray		
	Cold	Warm	Hot	Cold	Warm	Hot	Cold	Warm	Hot	Cold	Warm	Hot	Cold	Warm	Hot
Acetic Acid, 50%	R	L	U	R	R	L	R	R	R	U	U	U	R	R	U
Acetic Acid, 10%	R	L	U	R	R	R	R	R	R	U	U	U	R	R	R
Acetone	R	R	R	R	R	R	R	R	R	U	U	U	U	U	U
Aluminum Chloride	U	U	U	R	R	R	R	R	R	R	--	--	R	R	R
Aluminum Sulfate ,Saturated	R	R	R	R	R	R	R	R	R	R	--	--	R	R	R
Ammonia Gas	--	--	--	R	--	--	R	--	--	R	--	--	R	R	L
Ammonium Hydroxide, 10%	L	L	L	R	R	R	R	R	R	R	--	--	L	L	L
Amyl Acetate	R	R	R	R	R	R	R	R	R	U	U	U	L	U	U
Amyl Alcohol	R	R	R	R	--	--	R	R	R	R	--	--	R	R	R
Aniline	R	R	R	R	R	R	R	R	R	U	U	U	U	U	U
Aqua Regia	U	U	U	U	U	U	U	U	U	--	--	--	U	U	U
Benzene, Benzol	R	R	R	R	R	R	R	R	R	U	U	U	U	U	U
Benzoic Acid	L	L	U	R	R	R	R	R	R	U	U	U	R	R	--
Boric Acid	R	R	L	R	R	R	R	R	R	R	--	--	R	R	--
Bromine Water	U	U	U	U	U	U	U	U	U	U	U	U	U	U	U
Butyl Acetate	R	R	R	R	--	--	R	R	R	U	U	U	L	U	U
Butyl Alcohol, Tertiary	R	R	R	R	R	R	R	R	R	R	--	--	R	--	--
Butyric Acid	L	L	L	R	R	R	R	R	R	U	U	U	R	R	--
Calcium Chloride	L	L	U	R	R	R	R	R	R	R	--	--	R	R	R
Calcium Hydroxide	U	--	--	R	R	R	R	R	R	R	--	-	R	R	--
Calcium Nitrate	R	R	--	R	--	--	R	R	R	--	--	--	R	R	R
Carbon Dioxide, Wet	R	R	--	R	R	L	R	R	L	R	--	--	R	R	R
Carbon Disulfide (Bisulfide)	R	R	R	R	R	L	R	R	R	R	--	--	U	U	U
Carbon Monoxide	R	R	R	R	R	R	R	R	R	--	--	--	R	R	R
Carbon Tetrachloride	L	L	U	L	L	L	R	R	R	U	U	U	U	U	U
Chlorine, Liquid	--	--	--	R	L	--	--	--	--	--	--	--	--	--	--
Chlorine Water, Saturated	R	--	--	U	U	U	U	U	U	R	--	--	R	R	R
Chlorobenzene (Phenylchloride)	R	R	--	R	R	L	R	R	R	U	U	U	U	U	U
Chloroform	R	L	U	R	L	L	R	R	R	U	U	U	U	U	U
Chlorox Bleach Solution, 5.5% Chlorine	U	U	U	--	--	--	R	--	--	--	--	--	--	--	--
Chromic Acid, 10%	R	R	--	R	R	L	R	R	R	U	U	U	U	U	U
Citric Acid, 5%	L	L	L	R	U	U	R	R	R	R	--	--	R	R	R
Copper Chloride	U	U	U	U	U	U	U	U	U	R	--	--	R	R	R
Copper Sulfate	U	U	U	R	R	R	R	R	R	U	U	U	R	R	R
Cresol	R	L	--	R	R	--	R	L	--	U	U	U	U	U	U
Crude Oil	R	R	--	R	R	R	R	R	R	--	--	--	R	R	R
Diesel Fuels	R	--	--	R	--	--	R	--	--	--	--	--	R	R	--
Dimethyl Formamide	R	--	--	--	--	--	R	R	R	U	U	U	U	U	U
Dioxane	R	R	R	R	R	R	R	R	R	--	--	--	U	U	U
Ethyl Acetate	R	R	R	R	R	L	R	R	R	U	U	U	U	U	U
Ethyl Alcohol	R	R	R	R	R	R	R	R	R	U	U	U	R	--	--
Ethyl Chloride	R	R	R	R	R	R	R	R	R	U	U	U	--	--	--
Ethyl Ether	R	--	--	R	R	R	R	R	R	U	U	U	U	U	U
Ethylene Glycol	R	R	L	R	R	--	R	R	R	R	--	--	R	R	R
Ethylene Oxide	R	R	R	R	R	L	R	R	R	--	--	--	U	U	U
Ferric Chloride	U	U	U	U	U	U	U	U	U	R	--	--	R	R	--
Formaldehyde, 37% Solution	R	R	R	R	R	R	R	R	R	R	--	--	R	R	--
Formic Acid, 10%	R	R	--	R	R	U	R	R	R	U	U	U	--	--	--
Freon, F-22	R	--	--	R	--	--	R	R	R	--	--	--	--	--	--
Gasoline, Unleaded	R	R	R	R	--	--	R	--	--	R	U	U	R	R	R
Heptane	R	L	--	R	R	R	R	R	R	--	--	--	R	R	R
Hexane	R	--	--	R	R	R	R	R	R	R	--	--	R	--	--
Hydrobromic Acid, Dilute	U	U	U	U	U	U	U	U	U	--	--	--	R	R	--

The corrosion data given in this table is for general comparison only. (Reference Corrosion Resistance Tables, Second Edition)

The presence of contaminants in chemical environments can greatly affect the corrosion rate of any material.

R = Recommended L = Limited Use U = Unsatisfactory -- = Information not available Cold = 50-80°F Warm = 130-170°F Hot = 200-212°F

Corrosion Resistance Table

Non-Metallic Enclosures			Door Gasket Materials				
Polyamide	Polycarbonate	Polyester	Foam-in-Place Polyurethane Sponge	Polyurethane Sponge	Neoprene Rubber Sponge	Silicone Rubber Sponge	Viton, Rubber Sponge
L	L	R	--	--	L	R	R
R	R	R	L	L	L	R	R
R	U	U	U	U	L	U	U
L	R	R	R	R	R	R	R
L	R	R	R	R	R	R	R
U	U	L	R	R	R	--	U
U	U	U	R	R	R	R	R
--	U	L	U	U	U	U	U
--	L	L	U	U	R	U	R
U	U	U	U	U	U	R	R
--	L	U	U	U	--	--	R
R	U	L	U	U	R	U	R
L	U	L	R	U	R	R	R
L	R	R	R	L	U	R	R
--	U	U	--	U	U	U	R
--	U	L	R	U	U	R	R
R	R	R	--	--	U	R	R
L	U	L	--	--	U	U	R
R	R	R	R	R	R	R	R
U	--	U	--	L	R	R	R
L	R	R	--	L	R	R	R
L	--	R	R	R	R	R	R
R	U	L	--	--	U	--	R
L	--	R	--	R	R	R	R
R	U	L	U	U	U	U	R
L	L	L	--	--	U	U	R
R	R	R	--	U	U	U	R
R	U	U	L	U	U	U	R
R	U	U	L	U	U	U	R
--	L	R	--	--	U	U	U
U	R	L	U	U	U	L	R
R	R	R	R	--	R	R	R
L	R	--	--	R	R	R	R
L	R	R	--	R	R	--	R
U	U	U	--	U	U	--	R
L	--	L	--	L	U	U	R
--	R	R	R	--	R	U	R
U	U	L	U	--	U	L	L
--	U	L	--	--	U	L	L
R	U	L	L	U	U	R	U
R	L	R	R	U	U	R	U
R	U	L	--	--	L	U	R
R	U	U	--	U	U	U	U
L	R	R	R	R	R	R	R
--	R	R	--	U	U	U	U
L	R	R	--	R	R	R	R
L	R	R	--	U	R	--	L
R	R	L	U	U	R	R	R
--	U	R	--	U	R	U	R
R	L	R	--	R	R	U	R
R	R	R	R	U	R	U	R
--	L	R	R	R	R	U	R
L	--	L	--	--	U	U	R

The corrosion data given in this table is for general comparison only. (Reference Corrosion Resistance Tables, Second Edition)

The presence of contaminants in chemical environments can greatly affect the corrosion rate of any material.

R = Recommended L = Limited Use U = Unsatisfactory -- = Information not available Cold = 50-80°F Warm = 130-170°F Hot = 200-212°F

Engineering Data

Corrosion Resistance Table cont.

Chemical	Unpainted Metal Enclosures									Painted Steel Enclosures					
	Aluminum			Stainless Steel Type 304			Stainless Steel Type 316			Acrylic Electrocoat, ANSI 61 Gray			Polyester Powdercoat, ANSI 61 Gray		
	Cold	Warm	Hot	Cold	Warm	Hot	Cold	Warm	Hot	Cold	Warm	Hot	Cold	Warm	Hot
Hydrochloric Acid, 20%	U	U	U	U	U	U	U	U	U	R	--	--	R	R	--
Hydrofluoric Acid, 10%	U	U	U	U	U	U	U	U	U	--	--	--	R	--	--
Hydrogen Peroxide, 30%	R	R	R	R	R	R	R	R	R	--	--	--	R	--	--
Hydrogen Sulfide, Wet	R	--	--	U	U	U	R	R	R	R	R	--	R	R	--
Isopropyl Alcohol	R	--	--	R	R	--	R	R	R	--	--	--	U	U	U
Jet Fuels	R	R	--	R	--	--	R	R	R	R	--	--	R	R	--
Kerosine	R	R	--	R	R	R	R	R	R	R	--	--	R	R	--
Lactic Acid, 10%	R	--	--	R	R	L	R	R	R	U	U	U	R	R	R
Magnesium Chloride	U	U	U	L	L	L	R	R	R	R	--	--	R	R	R
Methyl Alcohol	R	L	--	R	R	L	R	R	R	--	--	--	R	R	--
Methyl Ethyl Ketone	R	L	--	R	L	--	R	R	R	U	U	U	U	U	U
Methylene Chloride	R	R	R	R	R	L	R	R	R	U	U	U	U	U	U
Mineral Oils	R	R	--	R	--	--	R	R	R	R	--	--	R	--	--
Naptha	R	--	--	R	R	--	R	--	--	R	U	U	R	R	R
Nitric Acid, 10%	U	U	U	R	R	R	R	R	R	R	--	--	R	R	U
Nitrobenzene	R	--	--	R	R	L	R	R	R	U	U	U	U	U	U
Oleic Acid	R	--	--	R	R	L	R	R	R	R	R	--	R	R	R
Oleum	R	--	--	R	--	--	R	--	--	U	U	U	U	U	U
Oxalic Acid, 10%	R	L	--	U	U	U	U	U	U	R	--	--	R	R	--
Oxygen	R	R	--	R	--	--	R	R	R	--	--	--	--	--	--
Ozone	R	R	--	R	R	--	R	R	R	--	--	--	--	--	--
Perchloroethylene	R	R	R	R	R	R	R	R	R	--	--	--	R	U	U
Phenol	R	R	R	R	R	R	R	R	R	R	--	--	U	U	U
Phosphoric Acid, 25%	U	U	U	R	R	L	R	L	U	R	--	--	R	R	R
Phthalic Acid	R	R	R	R	R	R	R	R	R	--	--	--	R	--	--
Potassium Chloride, 30%	U	U	U	R	R	R	R	R	R	R	--	--	R	R	R
Potassium Dichromate, 30%	R	R	L	R	R	R	R	R	R	R	--	--	R	R	R
Potassium Hydroxide, 10%	U	U	U	R	R	L	R	R	R	R	R	U	U	U	U
Potassium Nitrate, 50%	R	R	R	R	R	L	R	R	R	R	--	--	R	R	R
Potassium Permanganate, 10%	R	R	R	R	L	L	R	R	L	U	U	U	R	R	--
Pyradine	R	R	R	R	R	R	R	R	R	--	--	--	U	U	U
Sodium Bicarbonate, 20%	R	--	--	R	R	R	R	R	R	R	--	--	R	R	--
Sodium Bisulfite, 10%	U	U	U	R	R	L	R	R	R	R	--	--	R	R	--
Sodium Carbonate, 10%	U	U	U	R	R	L	R	R	R	U	U	U	R	R	U
Sodium Chlorate, 10%	R	R	R	R	R	R	R	R	R	R	--	--	R	R	--
Sodium Chloride, 10%	R	U	U	R	R	L	R	R	R	R	--	--	R	R	R
Sodium Hydroxide, 10%	U	U	U	R	R	R	R	R	R	R	--	--	R	U	U
Sodium Hypochlorite, 10%	R	L	L	R	L	U	R	--	--	R	R	--	U	U	U
Sodium Nitrate	R	R	R	R	R	U	R	R	R	R	--	--	R	R	R
Sodium Sulfate	R	R	L	R	R	U	R	R	R	R	--	--	R	R	U
Sulfur Dioxide	R	R	R	R	R	R	R	R	R	R	R	--	R	R	R
Sulfuric Acid, 5%	U	U	U	L	U	U	R	--	--	R	--	--	R	R	R
Tartaric Acid	L	U	U	R	R	R	R	R	R	--	--	--	R	R	R
Tetrahydrofuran	U	U	U	R	--	--	L	L	L	--	--	--	U	U	U
Toluene	R	R	R	R	R	R	R	R	R	U	U	U	R	U	U
Trichloroacetic Acid	U	U	U	U	U	U	U	U	U	--	--	--	R	R	U
Trichloroethylene	R	R	L	R	L	L	R	R	L	U	U	U	U	U	U
Trisodium Phosphate	U	U	U	R	R	--	R	R	--	--	--	--	R	R	U
Turpentine	L	--	--	R	R	--	R	R	L	R	--	--	R	R	--
Water	R	R	L	R	R	R	R	R	R	R	--	--	R	R	R
Xylene	R	R	R	R	R	R	R	R	R	--	--	--	R	--	--
Zinc Chloride	U	U	U	U	U	U	L	L	L	R	--	--	R	R	R
Zinc Sulfate	U	U	U	R	R	R	R	R	R	R	--	--	R	R	R

The corrosion data given in this table is for general comparison only. (Reference Corrosion Resistance Tables, Second Edition)

The presence of contaminants in chemical environments can greatly affect the corrosion rate of any material.

R = Recommended

L = Limited Use

U = Unsatisfactory

-- = Information not available

Cold = 50-80°F

Warm = 130-170°F

Hot = 200-212°F

Corrosion Resistance Table

Non-Metallic Enclosures			Door Gasket Materials				
Polyamide	Polycarbonate	Polyester	Foam-in-Place Polyurethane Sponge	polyurethane Sponge	Neoprene Rubber Sponge	Silicone Rubber Sponge	Viton, Rubber Sponge
L	L	L	R	R	R	R	R
L	R	L	--	--	R	U	R
--	R	R	--	--	U	R	R
L	R	R	--	--	R	L	U
R	R	R	--	U	U	U	U
R	L	R	--	U	U	U	R
R	R	R	--	U	R	U	R
L	R	R	--	--	R	R	R
L	R	R	R	R	R	R	R
R	L	L	U	U	R	U	U
R	U	L	U	U	U	U	U
R	U	U	U	U	--	--	R
L	R	R	R	R	R	R	R
--	R	R	--	R	U	U	R
L	R	L	U	U	U	U	R
L	U	L	--	U	U	U	R
L	R	R	R	R	L	U	R
U	--	U	--	U	L	U	R
L	R	R	--	--	U	R	R
L	R	R	--	--	U	R	R
--	U	L	R	--	L	R	R
R	--	U	U	U	U	U	R
L	U	U	--	U	R	U	R
L	L	L	--	--	R	--	--
L	--	R	--	--	R	R	R
--	R	R	R	R	R	R	R
U	--	L	--	R	R	R	R
L	U	U	--	R	R	L	R
L	R	R	--	--	R	R	R
U	R	L	--	--	R	--	R
L	U	--	--	--	L	R	R
U	R	R	--	--	R	R	R
--	R	R	--	--	R	R	R
U	R	R	--	--	R	R	R
--	R	R	--	--	R	L	R
L	R	R	R	R	R	R	R
R	U	L	--	--	R	R	R
U	R	L	--	--	L	R	R
L	U	R	--	--	R	U	R
L	R	R	--	R	R	R	R
L	L	R	--	--	R	R	R
L	L	L	U	U	U	U	R
L	R	R	--	R	R	R	R
--	U	U	U	--	U	U	U
L	U	L	L	U	--	R	R
--	R	U	--	--	U	U	L
L	--	L	L	U	U	U	R
U	L	--	--	R	R	R	R
--	L	R	R	U	U	U	R
R	R	R	R	R	U	--	R
--	U	L	L	U	U	U	R
L	R	R	--	--	R	R	R
L	R	R	--	--	R	R	R

The corrosion data given in this table is for general comparison only. (Reference Corrosion Resistance Tables, Second Edition)
 The presence of contaminants in chemical environments can greatly affect the corrosion rate of any material.

R = Recommended L = Limited Use U = Unsatisfactory -- = Information not available Cold = 50-80°F Warm = 130-170°F Hot = 200-212°F

Wireway Selection (Reference NFPA 70, National Electrical Code)

Definition

Wireways are troughs with hinged or removable covers for housing and protecting electric wires and cable. Conductors are laid into the wireway after the wireway has been installed as a complete system.

Uses

The use of wireways are permitted as follows:

1. For exposed work in dry locations. For outdoor or wet locations, use Type 3R wireway.
2. If installed in inaccessible spaces, the use of wireway is permitted only for use with audio signal conductors (per NEC^{®†} 376.10).
3. In hazardous locations as permitted by NEC^{®†} sections 501, 502 and 504.
4. For extensions through walls, if the length passing through the wall is unbroken and access to conductors can be maintained from both sides.

The use of wireways is not permitted where a risk of severe physical damage or corrosive vapor is present.

Size of Conductors

Table I shows maximum allowable cable sizes for varying wireway sizes. (Based on UL 870 Table 7.1)

Table I

Wireway Size	Maximum Cable Size
2.5x2.5	2
3x3	1
4x4	4/0
4x6	4/0
6x6	500
12x6	500
8x8	900
10x10	1250
12x12	2000

Conductors entering the wireway only at the ends of runs are limited in size only by the 20 percent fill requirement of the NEC[®]. However, it is recommended that wire sizes not exceed those in Table I above.

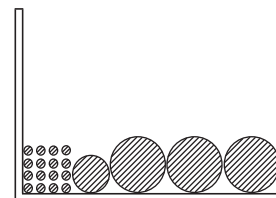
Number of Conductors

Wireways which contain no more than 30 current-carrying conductors at any cross section, and for which the sum of the cross-sectional areas of all contained conductors at any cross section does not exceed 20% of the interior cross-sectional area of the wireway, require no derating of cables. (Refer to Table II below)

Table II

Wireway Size	Allowable Cable Area
2.5x2.5	1.2
3x3	1.8
4x4	3.2
4x6	4.8
6x6	7.2
8x8	12.8
12x6	14.4
10x10	20.0
12x12	28.8

Cross sectional area of conductors
 \leq 20% of cross sectional
 area of wireway.



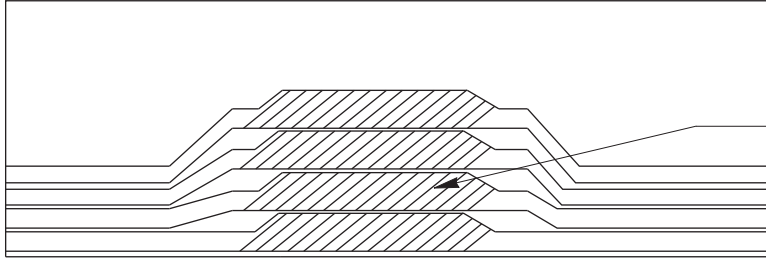
For exceptions allowing more conductors, see NEC[®] 362-5.

[†] Marks are the property of their respective owners.

Wireway Selection

Splices and Taps

Splices and taps are permitted within a wireway, provided they are accessible. The conductors, including splices and taps, shall not fill the wireway to more than 75 percent of its area at the point of a splice or tap.



Cross sectional area of splices and taps is less than 75% of wireway's cross sectional area

Cross Sectional Area of Conductors

Single Conductor Cable 600V

SIZE	Cross Sectional Area of Conductors (sq. in.)							
	XXHW, XXHW-2, XHH		THHN, THWN THWN-2		THW, THW-2, THHW		RHH*, RHW* RHW-2*	
	Diameter in.	Area in. ²	Diameter in.	Area in. ²	Diameter in.	Area in. ²	Diameter in.	Area in. ²
14	0.1330	1.0139	0.1110	0.0097	0.1630	0.0209	0.1930	0.0293
12	0.1520	1.0181	0.1300	0.0133	0.1820	0.0260	0.2120	0.0353
10	0.1760	0.0243	0.1640	0.0211	0.2060	0.0333	0.2360	0.0437
8	0.2360	0.0437	0.2160	0.0366	0.2660	0.0556	0.3260	0.0835
6	0.2740	0.0590	0.2540	0.0507	0.3040	0.0726	0.3640	0.1041
4	0.3220	0.0814	0.3240	0.0824	0.3520	0.0973	0.4120	0.1333
3	0.3500	0.0962	0.3520	0.0973	0.3800	0.1134	0.4400	0.1521
2	0.3820	0.1146	0.3840	0.1158	0.4120	0.1333	0.4720	0.1750
1	0.4420	0.1534	0.4460	0.1562	0.4920	0.1901	0.5850	0.2688
1/0	0.4820	0.1825	0.4860	0.1855	0.5320	0.2223	0.6220	0.3039
2/0	0.5280	0.2190	0.5320	0.2223	0.5780	0.2624	0.6680	0.3505
3/0	0.5800	0.2642	0.5840	0.2679	0.6300	0.3117	0.7200	0.4072
4/0	0.6380	0.3197	0.6420	0.3237	0.6880	0.3718	0.7780	0.4754
250	0.7050	0.3904	0.7110	0.3970	0.7650	0.4596	0.8950	0.6291
300	0.7600	0.4536	0.7660	0.4608	0.8200	0.5281	0.9500	0.7088
350	0.8110	0.5166	0.8170	0.5242	0.8710	0.5958	1.0010	0.7870
400	0.8580	0.5782	0.8640	0.5863	0.9180	0.6619	1.0480	0.8626
500	0.9430	0.6984	0.9490	0.7073	1.0030	0.7901	1.1330	1.0082
600	1.0530	0.8790	1.0510	0.8676	1.1130	0.9729	1.2430	1.2135
700	1.1240	0.9923	1.1220	0.9887	1.1840	1.1010	1.3140	1.3561
750	1.1580	1.0532	1.1560	1.0496	1.2180	1.1652	1.3480	1.4272
800	1.1900	1.1122	1.1880	1.1085	1.2500	1.2272	1.3800	1.4957
900	1.2540	1.2351	1.2520	1.2311	1.3140	1.3561	1.4440	1.6377
1000	1.3120	1.3519	1.3100	1.3478	1.3720	1.4784	1.5020	1.7719
1250	1.4790	1.7180	-	-	1.5390	1.8602	1.7290	2.3479
1500	1.6020	2.0156	-	-	1.6620	2.1695	1.8520	2.6938
1750	1.7160	2.3127	-	-	1.7760	2.4773	1.9660	3.0357
2000	1.8220	2.6073	-	-	1.8820	2.7818	2.0720	3.3719

* RHH, RHW and RHW-2 without covering have the same dimension as THW.

Wireway Selection

Sample Calculation

A. Wireway dimensions are obtained as follows:

1. List cables by size and types.
2. List cable cross sectional areas.
3. List the number of each size of cable.
4. Multiply cable cross sectional areas by number of each cable.
5. Sum the total cross sectional areas of each cable type to obtain the total cross sectional areas for the conductors.

List Cable Sizes and Types	List Cable Cross Sectional Areas (A) sq. in.	List Number of Cables (N)	Multiply (A) x (N) = Total Cross Sectional Area for Each Size sq. in.
2 AWG-XXHW	0.1182	x 4	= 0.4728
2/0-TW	0.2290	x 2	= 0.4580
750 kcmil-RHH	1.1300	x 2	= 2.2600
Sum of the total cross sectional areas =			3.1908

6. The wireway must first meet the dimensional requirements for the largest conductor. In the example above, the largest conductor is 750 kcmil. The minimum wireway cross section based on the largest conductor size requirements is 8" x 8", as shown in Table I on page 466.
7. The wireway dimensions must meet 20% fill requirements. Based on the sum of the total conductor cross sectional areas (3.19 sq. in.), the minimum wireway cross section, based on the 20% fill requirements is 4" x 4" as shown in Table II on page 466.
8. In this example, the wireway dimensions must be the larger of the two cross sections obtained in steps 6 and 7. In this case, 8" x 8" wireway is required.

Decimal and Metric Equivalents

4ths	8ths	16ths	32nds	64ths	To 3 places	To 2 places	Millimeters
				1/64	.016	.02	0
			1/32	3/64	.031	.03	1
		1/16		5/64	.062	.05	1
				7/64	.078	.06	2
			3/32	9/64	.094	.08	2
				11/64	.109	.09	2
	1/8			13/64	.125	.11	3
				15/64	.141	.12	3
			5/32	17/64	.156	.14	4
				19/64	.172	.16	4
		3/16		21/64	.188	.17	4
				23/64	.203	.19	5
			7/32	25/64	.219	.20	5
				27/64	.234	.22	6
1/4				29/64	.250	.23	6
				31/64	.266	.25	6
			9/32	33/64	.281	.27	7
				35/64	.297	.28	7
		5/16		37/64	.312	.30	8
				39/64	.328	.31	8
			11/32	41/64	.344	.33	8
				43/64	.359	.34	9
		3/8		45/64	.375	.36	9
				47/64	.391	.38	10
			13/32	49/64	.406	.39	10
				51/64	.422	.41	10
		7/16		53/64	.438	.42	11
				55/64	.453	.44	11
			15/32	57/64	.469	.45	12
				59/64	.484	.47	12
1/2				61/64	.500	.48	12
				63/64	.516	.50	13
			17/32	65/64	.531	.52	13
				67/64	.547	.53	13
		9/16		69/64	.562	.55	14
				71/64	.578	.56	14
			19/32	73/64	.594	.58	15
				75/64	.609	.59	15
		5/8		77/64	.625	.61	15
				79/64	.641	.62	16
			21/32	81/64	.656	.64	16
				83/64	.672	.66	17
		11/16		85/64	.688	.67	17
				87/64	.703	.69	17
			23/32	89/64	.719	.70	18
				91/64	.734	.72	18
3/4				93/64	.750	.73	19
				95/64	.766	.75	19
			49/64	97/64	.781	.77	19
				99/64	.797	.78	20
		13/16		101/64	.812	.80	20
				103/64	.828	.81	21
			27/32	105/64	.844	.83	21
				107/64	.859	.84	21
		7/8		109/64	.875	.86	22
				111/64	.891	.88	22
			57/64	113/64	.906	.89	23
				115/64	.922	.91	23
		15/16		117/64	.938	.92	23
				119/64	.953	.94	24
			31/32	121/64	.969	.95	24
				123/64	.984	.97	25
1				125/64	1.000	.98	25
						1.00	25

Metric Conversion Tables

LENGTH

U.S. to Metric

1 inch	=	25.40 millimeters
1 inch	=	2.540 centimeters
1 foot	=	30.480 centimeters
1 foot	=	0.3048 meter
1 yard	=	91.440 centimeters
1 yard	=	0.9144 meter
1 mile	=	1.609 kilometers

Metric to U.S.

1 millimeter	=	0.03937 inch
1 centimeter	=	0.3937 inch
1 meter	=	39.37 inches
1 meter	=	3.2808 feet
1 meter	=	1.0936 yards
1 kilometer	=	0.62137 mile

AREA

U.S. to Metric

1 sq. inch	=	645.16 sq. millimeters
1 sq. inch	=	6.4516 sq. centimeters
1 sq. foot	=	929.03 sq. centimeters
1 sq. foot	=	0.0929 sq. meter
1 sq. yard	=	0.836 sq. meter

Metric to U.S.

1 sq. millimeter	=	0.00155 sq. inch
1 sq. centimeter	=	0.1550 sq. inch
1 sq. meter	=	10.7640 sq. feet
1 sq. meter	=	1.196 sq. yards

Catalog Number	Page Number	Catalog Number	Page Number
10106-12CHC	93	10243 A	454
10106-12CHSC	97	10243 B	454
10106-12SC	95	10243 C	454
10106-4QT	141	10243 D	454
101060 G	10	1064 SC NK	51
101060 G NK	10	1064 SCGV NK	51
101060 GGV NK	10	108P (GP)	154, 212
101060 GRT NK	43	108PSS4	154, 212
101060 GRTGV NK	43	108 SCF	53
101060 HS	16	108TB	442
101060 HS NK	16	108TS	441
101072 G	10	1084-FTC	103
101072 G NK	10	1084 HC	54
101072 GGV NK	10	1084 HC NK	54
101072 GRT NK	43	1084 RTSC	57
101072 GRTGV NK	43	1084 RTSC NK	57

Product Number Index 474-508

Index

Catalog Number	Page Number	Catalog Number	Page Number	Catalog Number	Page Number
00011184 A	427	1010 TCS	80	10104 RTSCGV NK	57
10TB	441	1010 TGV	14	10104 SC	51
10TS	440	1010 WB	413	10104 SC NK	51
10URMA	157, 215	1010 X	14	10104 SCG	61
10.5 BAP	452	1010 XGV	14	10104 SCGV	51
1010 C	11	1010-12BK	12, 18	10104 SCGV NK	51
1010 E	11	101012 G	10	10104 TCF	80
1010 E NK	11	101012 G NK	10	10104 TCS	80
1010 EGV	11	101012 GGV NK	10	10104 WPSC	63
1010 EGV NK	11	101012 HS	16	10104-1	65
1010 FH	12, 18	101012 HS NK	16	10104-12CHSC	97
1010 FL IN	13	1010120 G	10	10104-12SC	95
1010 FL OUT	13	1010120 G NK	10	101045 HSL COMBO	19
1010 FL SIDE	13	1010120 GGV NK	10	101045 HSL SIDE	19
1010 FTF	11, 17	1010120 GRT NK	43	101045 L COMBO	14
1010 FTFGV	11	1010120 GRTGV NK	43	101045 L COMBOGV	14
1010 GF	11	1010120 HS	16	101045 L SIDE	14
1010 GFGV	11	1010120 HS NK	16	101048 G	10
1010 HSC	17	10101212 FR	12, 17	101048 G NK	10
1010 HSCA	17	101024 G	10	101048 GGV NK	10
1010 HSCU	17	101024 G NK	10	101048 GRT NK	43
1010 HSE	17	101024 GGV NK	10	101048 GRTGV NK	43
1010 HSE NK	17	101024 GRT NK	43	101048 GTGV NK	41
1010 HSF	18	101024 GRTGV NK	43	101048 HS	16
1010 HSL IN	19	101024 HS	16	101048 HS NK	16
1010 HSL OUT	19	101024 HS NK	16	10106 HC	54
1010 HSL SIDE	19	101036 G	10	10106 HC NK	54
1010 HST	20	101036 G NK	10	10106 RTSC	57
1010 HSX	20	101036 GGV NK	10	10106 RTSC NK	57
1010 L COMBO	13	101036 GRT NK	43	10106 RTSCGV	57
1010 L COMBOGV	13	101036 GRTGV NK	43	10106 RTSCGV NK	57
1010 L SIDE	13	101036 HS	16	10106 SC	52
1010 L SWEEP	13	101036 HS NK	16	10106 SC NK	52
1010 L SWEEPGV	13	10104 HC	54	10106 SCG	61
1010 LTX	12	10104 HC NK	54	10106 SCGV	52
1010 LTXGV	12	10104 RTHC	58	10106 SCGV NK	52
1010 SCF	53	10104 RTHC NK	58	10106 TCF	80
1010 SCS	53	10104 RTSC	57	10106 TCS	80
1010 T	14	10104 RTSC NK	57	10106 WPSC	63
1010 TCF	80	10104 RTSCGV	57	10106-1	65

Catalog Number	Page Number	Catalog Number	Page Number	Catalog Number	Page Number
10106-12CHC	93	10243 A	453	1084-4XFCHSC	259
10106-12CHSC	97	10243 B	453	1084-4XFLC	257
10106-12SC	95	10243 C	453	1084-4XSCHC	199
10106-4QT	141	10243 D	453	1084-4XSLC	195
101060 G	10	1064 SC NK	51	1084-4XSQT	203
101060 G NK	10	1064 SCGV NK	51	1084-4XSS6CHC	199
101060 GGV NK	10	108P (GP)	154, 212	1084-4XSS6LC	195
101060 GRT NK	43	108PSS4	154, 212	1085-4XFCHQRC	261
101060 GRTGV NK	43	108 SCF	53	1085-4XFCHQRCW	263
101060 HS	16	108TB	441	1085-4XFCHSC	259
101060 HS NK	16	108TS	440	1085-4XFLC	257
101072 G	10	1084-FTC	103	1086 HC	54
101072 G NK	10	1084 HC	54	1086 HC NK	54
101072 GGV NK	10	1084 HC NK	54	1086 RHC	72
101072 GRT NK	43	1084 RTSC	57	1086 RTSC	57
101072 GRTGV NK	43	1084 RTSC NK	57	1086 RTSC NK	57
10108 A	453	1084 SC	51	1086 SC	52
10108 RTSC	57	1084 SC NK	51	1086 SC NK	52
10108 RTSC NK	57	1084 SCG	61	1086 SCGV	52
10108 RTSCGV NK	57	1084 SCGV	51	1086 SCGV NK	52
10108 SC NK	52	1084 SCGV NK	51	1086-SD	146
10108 SCGV NK	52	1084-SD	146	1086-SDF	265
10108-12CHC	93	1084-SDLG	146	1086-SDFQR	267
101096 GRT NK	43	1084-SDSS4	209	1086-SDFQRCC	269
101096 GRTGV NK	43	1084-SDSS6	210	1086-SDLG	146
10118 A	453	1084 WPSC	63	1086-SDSS4	209
10119 A	453	1084-1	65	1086-SDSS6	210
10129 A	453	1084-12CHC	93	1086-1	65
10166 A	453	1084-12CHCS	93	1086-12CHC	93
10167 A	453	1084-12CHQRC	99	1086-12CHSC	97
10168	409, 410, 453	1084-12CHSC	97	1086-12SC	95
10169	453	1084-12LC	91	1086-4CHC	139
10184 A	454	1084-12SC	95	1086-4QT	141
10184 B	454	1084-4CHC	139	1086-4XSQT	203
10184 C	454	1084-4LC	137	1144-4XFSC	271
10240 A	453	1084-4QT	141	12DR1P	156, 214
10242 A	453	1084-4XACHC	201	12DR3P	155, 214
10242 B	453	1084-4XALC	197	12DRCP	155, 214
10242 C	453	1084-4XFCHQRC	261	12GS1	156, 214
10242 D	453	1084-4XFCHQRCW	263	12MC	156, 213

Index

Catalog Number	Page Number	Catalog Number	Page Number	Catalog Number	Page Number
12PMK	159, 217	12106 HC	54	1212 FL SIDE	13
12TB	441	12106 HC NK	54	1212 FTF	11, 17
12TS	440	12106 RHC	72	1212 FTFGV	11
12URMA	157, 215	12106 RTHC	58	1212 GF	11
1210P (GP)	154, 212	12106 RTHC NK	58	1212 GFGV	11
1210PSS4	154, 212	12106 RTSC	57	1212 HSC	17
1210TB	441	12106 RTSC NK	57	1212 HSCA	17
1210 TCF	80	12106 SC	52	1212 HSCU	17
1210 TCS	80	12106 SC NK	52	1212 HSE	17
1210TS	440	12106 SCG	61	1212 HSE NK	17
1210 WB	413	12106 SCGV	52	1212 HSF	18
12104 HC	54	12106 SCGV NK	52	1212 HSL IN	19
12104 HC NK	54	12106-SD	146	1212 HSL OUT	19
12104 RTSC	57	12106-SDF	265	1212 HSL SIDE	19
12104 RTSC NK	57	12106-SDFQR	267	1212 HST	20
12104 SC	51	12106-SDFQRCC	269	1212 HSX	20
12104 SC NK	51	12106-SDLG	146	1212 L COMBO	13
12104 SCGV	51	12106-SDSS4	209	1212 L COMBOGV	13
12104 SCGV NK	51	12106-SDSS6	210	1212 L SIDE	13
12104 TCF	80	12106 TCF	80	1212 L SWEEP	13
12104 TCS	80	12106 TCS	80	1212 L SWEEP GV	13
12104-1	65	12106-1	65	1212 LTX	12
12104-12CHSC	97	12106-12CHC	93	1212 LTXGV	12
12105-12CHC	93	12106-12CHSC	97	1212P (GP)	154, 212
12105-12CHCS	93	12106-4QT	141	1212PSS4	154, 212
12105-12CHQRC	99	12106-4XACHC	201	1212 SCF	53
12105-12LC	91	12106-4XSCHC	199	1212 SCS	53
12105-12SC	95	12106-4XSS6CHC	199	1212SP	155, 213
12105-4CHC	139	12108-12CHC	93	1212 T	14
12105-4LC	137	12108-4QT	141	1212 TCF	80
12105-4QT	141	12108-4XSQT	203	1212 TCS	80
12105-4XALC	197	1212 C	11	1212 TGV	14
12105-4XFCHQRC	261	1212DF	155, 213	1212TS	440
12105-4XFCHQRCW	263	1212 E	11	1212 WB	413
12105-4XFCHSC	259	1212 E NK	11	1212 X	14
12105-4XFLC	257	1212 EGV	11	1212 XGV	14
12105-4XSLC	195	1212 EGV NK	11	1212-12BK	12, 18
12105-4XSQT	203	1212 FH	12, 18	121210 RHC	72
12105-4XSS6LC	195	1212 FL IN	13	121210 RTSC	57
12105-FTC	103	1212 FL OUT	13	121210 RTSC NK	57

Catalog Number	Page Number	Catalog Number	Page Number	Catalog Number	Page Number
121210 SC NK	53	12124 RTSCGV NK	57	12126-SDLG	148
121210 SCGV NK	53	12124 SC	51	12126-SDSS4	209
121212 G	10	12124 SC NK	51	12126-SDSS6	210
121212 G NK	10	12124 SCG	61	12126-SDW	148
121212 GGV NK	10	12124 SCGV	51	12126-SDWLG	148
121212 HS	16	12124 SCGV NK	51	12126-SDWSS4	209
121212 HS NK	16	12124 TCF	80	12126 TCF	80
121212 SC NK	53	12124 TCS	80	12126 TCS	80
121212 SCGV NK	53	12124 WPSC	63	12126 WPSC	63
1212120 G	10	12124-1	65	12126-1	65
1212120 G NK	10	121245 HSL COMBO	19	12126-1PP	70
1212120 GGV NK	10	121245 HSL SIDE	19	12126-12CHC	93
1212120 GRT NK	43	121245 L COMBO	14	12126-12CHSC	97
1212120 GRTGV NK	43	121245 L COMBOGV	14	12126-12SC	95
1212120 HS	16	121245 L SIDE	14	12126-4CHC	139
1212120 HS NK	16	121248 G	10	12126-4QT	141
121224 G	10	121248 G NK	10	12126-4XACHC	201
121224 G NK	10	121248 GGV NK	10	12126-4XFCHQRC	261
121224 GGV NK	10	121248 GRT NK	43	12126-4XFCHSC	259
121224 GRT NK	43	121248 GRTGV NK	43	12126-4XFLC	257
121224 GRTGV NK	43	121248 GTGV NK	41	12126-4XSCHC	199
121224 GTGV NK	41	121248 HS	16	12126-4XSQT	203
121224 HS	16	121248 HS NK	16	12126-4XSS6CHC	199
121224 HS NK	16	12126-FM	151	121260 G	10
121236 G	10	12126 HC	54	121260 G NK	10
121236 G NK	10	12126 HC NK	54	121260 GGV NK	10
121236 GGV NK	10	12126 RHC	72	121260 GRT NK	43
121236 GRT NK	43	12126 RTC	81	121260 GRTGV NK	43
121236 GRTGV NK	43	12126 RTHC	58	121260 HS	16
121236 GTGV NK	41	12126 RTHC NK	58	121260 HS NK	16
121236 HS	16	12126 RTSC	57	121272 G	10
121236 HS NK	16	12126 RTSC NK	57	121272 G NK	10
12124 HC	54	12126 RTSCGV	57	121272 GGV NK	10
12124 HC NK	54	12126 RTSCGV NK	57	121272 GRT NK	43
12124 RTC	81	12126 SC	52	121272 GRTGV NK	43
12124 RTHC	58	12126 SC NK	52	12128 RTC	81
12124 RTHC NK	58	12126 SCG	61	12128 RTHC	58
12124 RTSC	57	12126 SCGV	52	12128 RTHC NK	58
12124 RTSC NK	57	12126 SCGV NK	52	12128 RTSC	57
12124 RTSCGV	57	12126-SD	148	12128 RTSC NK	57

Index

Catalog Number	Page Number	Catalog Number	Page Number	Catalog Number	Page Number
12128 RTSCGV NK	57	1264 SC NK	51	14126-1	65
12128 SC	52	1264 SCGV NK	51	14126-12CHC	93
12128 SC NK	52	1264-12CHC	93	14126-12CHCS	93
12128 SCG	61	1264-4QT	141	14126-12CHQRC	99
12128 SCGV NK	52	12644-12LR	30	14126-12CHSC	97
12128 WPSC	63	12648-12LW	27	14126-12LC	91
12128-1	65	1266 SC NK	52	14126-12SC	95
121296 GRT NK	43	12660-12LW	27	14126-4CHC	139
121296 GRTGV NK	43	12666-12LR	30	14126-4LC	137
12246-12	106	128 SCF	53	14126-4QT	141
12248-12	106	128 TCF	80	14126-4XACHC	201
122AMK	159, 217	128 TCS	80	14126-4XALC	197
124AMK	159, 217	128 WB	413	14126-4XFCHQRC	261
126-12LAHM	30	1284 HC	54	14126-4XFCHQRCW	263
126-12LAHW	30	1284 HC NK	54	14126-4XFCHSC	259
126-12 LASD	30	1284 RTSC	57	14126-4XFLC	257
126-12LBC	31	1284 RTSC NK	57	14126-4XSCHC	199
126-12LC	30	1284 SC	51	14126-4XSLC	195
126-12LCF	27	1284 SC NK	51	14126-4XSQT	203
126-12LCP	31	1284 SCGV	51	14126-4XSS6CHC	199
126-12LE15A	29	1284 SCGV NK	51	14126-4XSS6LC	195
126-12LE45A	29	1284 TCF	80	14128-SDF	265
126-12LE45B	29	1284 TCS	80	14128-SDFQR	267
126-12LE45C	29	1286 RTHC	58	14128-SDFQRCC	269
126-12LE9A	28	1286 RTHC NK	58	14128-1	65
126-12LE9B	28	1286 RTSC	57	14128-12CHC	93
126-12LE9C	28	1286 SC NK	52	14128-4QT	141
126-12LN1	28	1286 SCGV NK	52	14128-4XSQT	203
126-12LN2	28	1286 TCF	80	1414120 GRT NK	43
126-12LN3	28	1286 TCS	80	1414120 GRT GV NK	43
126-12LSP	31	1286 WPSC	63	141448 GRT NK	43
126-12LTA	29	14TB	441	141448 GRTGV NK	43
126-12LTF	27	14TS	440	141472 GRT NK	43
12604-12LW	27	1412TB	441	141472 GRT GV NK	43
12606-12LW	27	1412TS	440	141496 GRT NK	43
12612-12LW	27	14124-1	65	141496 GRT GV NK	43
126120-12LW	27	14126-FTC	103	1432-4XFSC	271
12624-12LW	27	14126-SDF	265	1476-4XFCHQRC	261
12636-12LW	27	14126-SDFQR	267	1476-4XFCHQRCW	263
1264 SC	51	14126-SDFQRCC	269	1476-4XFCHSC	259

Catalog Number	Page Number	Catalog Number	Page Number	Catalog Number	Page Number
1476-4XFLC	257	16126-1PP	70	16128-SDW	146
1486-12CHC	93	16126-FM	151	16128-1	67
1486-4QT	141	16126 HC	54	16128-12	106
15124 RTSC	57	16126 HC NK	54	16128-4	144
15154 SC NK	51	16126RHC	74	16128-4XA	206
15154 SCGV	51	16126 RTSC	57	16128-4XS	205
15156 SC NK	52	16126 RTSC NK	57	16128-4XSS6	205
15156 SCGV NK	52	16126 SC	52	1614TB	441
16DR1P	156, 214	16126 SC NK	52	1614TS	440
16DR3P	156, 214	16126 SCG	61	161410-12CHC	93
16DRCP	156, 214	16126 SCGV	52	161410-4QT	141
16GS1	156, 214	16126 SCGV NK	52	161410-4XSQT	203
16MC	155, 213	16126-SD	146	16146-FTC	103
16PMK	159, 217	16126-SDLG	146	16146-12CHC	93
16S	442	16126-SDSS4	209	16146-12CHCS	93
16TB	441	16126-SDSS6	210	16146-12CHQRC	99
16TS	440	16126-SDW	146	16146-12LC	91
16TS12	442	16126-SDWLG	146	16146-12SC	95
16URMA	157, 215	16126-SDWSS4	209	16146-4CHC	139
16106-12CHC	93	16126 TCF	80	16146-4LC	137
16106-4QT	143	16126 TCS	80	16146-4QT	141
1612DF	155, 213	16126 WPSC	63	16146-4XACHC	201
1612P (GP)	154, 212	16126-1	67	16146-4XALC	197
1612PSS4	154, 212	16126-12	106	16146-4XFCHQRC	261
1612SP	155, 213	16126-12TE	109	16146-4XFCHQRCW	263
1612 TCF	80	16126-4	144	16146-4XFCHSC	259
1612 TCS	80	16126-4XA	206	16146-4XFLC	257
1612 WB	413	16126-4XS	205	16146-4XSCHC	199
161210-12	107	16126-4XSS6	205	16146-4XSLC	195
161210-SD	146	16126-SDLG	146	16146-4XSQT	203
161210-SDLG	146	16126-SDWLG	146	16146-4XSS6CHC	199
161210-SDW	146	16128 SC	52	16146-4XSS6LC	195
16124 RTSC	57	16128 SC NK	52	16148-SDF	265
16124 RTSC NK	57	16128 SCGV NK	52	16148-SDFQR	267
16124 SC	51	16128-SD	146	16148-SDFQRCC	269
16124 SC NK	51	16128-SDLG	146	16148-12CHC	93
16124 SCGV	51	16128-SDW	146	16148-4QT	141
16124 SCGV NK	51	16128-SDWLG	146	1616P (GP)	154, 212
16124 TCF	80	16128-SDSS4	209	1616PSS4	154, 212
16124 TCS	80	16128-SDSS6	210	1616 SCF	53

Index

Catalog Number	Page Number	Catalog Number	Page Number	Catalog Number	Page Number
1616SP	155, 213	16206-4XSS6	205	18126 WPSC	63
161610-SD	146	16206-SD	146	18128 RTSC	57
161610-SDLG	146	16206-SDLG	146	18128 RTSC NK	57
16164 RTSC	57	16208-12	106	18128 SC	52
16164 RTSC NK	57	16208-SD	146	18128 SC NK	52
16164 SC	51	16208-SDLG	146	18128 SCGV NK	52
16164 SC NK	51	16208-SDSS4	209	1815 TCF	80
16164 SCGV	51	16208-SDSS6	210	1815 TCS	80
16166 HC	54	1732-4XFSC	271	1815 WB	413
16166 HC NK	54	1812 SCF	53	18154 SC NK	51
16166RHC	74	1812 TCF	80	18154 SCGV	51
16166 RTSC	57	1812 TCS	80	18154 TCF	80
16166 RTSC NK	57	1812 WB	413	18154 TCS	80
16166 SC	52	181210 RTSC	57	18156 SC NK	52
16166 SC NK	52	181210 SC	53	18156 SCGV NK	52
16166 SCG	61	181210 SC NK	53	18156 TCF	80
16166 SCGV	52	181210 SCGV NK	53	18156 TCS	80
16166 SCGV NK	52	18124 HC	54	181610-SDF	265
16166-SD	146	18124 HC NK	54	181610-SDFQR	267
16166-SDLG	146	18124 RTSC	57	18168-4XFCHQRC	261
16166-SDSS4	209	18124 SC	51	18168-4XFCHQRCW	263
16166-SDSS6	210	18124 SC NK	51	18168-4XFCHSC	259
16166-1	67	18124 SCGV	51	18168-4XFLC	257
16166-12	106	18124 SCGV NK	51	1818 SCF	53
16166-4	144	18124 TCF	80	1818 SCS	53
16166-4XA	206	18124 TCS	80	1818 TCF	80
16166-4XS	205	18126 HC	54	1818 TCS	80
16166-4XSS6	205	18126 HC NK	54	1818 WB	413
16168-SD	146	18126 RTC	81	181810 RHC	74
16168-SDLG	146	18126 RTHC	58	181810 RTSC	57
16168-SDSS4	209	18126 RTHC NK	58	181810 RTSC NK	57
16168-SDSS6	210	18126 RTSC	57	181810 SC	53
16168-12	106	18126 RTSCGV NK	57	181810 SC NK	53
1620SP	155, 213	18126 RTSC NK	57	181810 SCGV NK	53
162010-SD	146	18126 SC	52	181810 RHC	74
162010-SDLG	146	18126 SC NK	52	181812 SC	53
16206-1	67	18126 SCGV	52	181812 SC NK	53
16206-12	106	18126 SCGV NK	52	181812 SCGV NK	53
16206-4	144	18126 TCF	80	18184 RTSC	57
16206-4XS	205	18126 TCS	80	18184 RTSC NK	57

Catalog Number	Page Number	Catalog Number	Page Number	Catalog Number	Page Number
18184 SC	51	20PMK	159, 217	20166-4	144
18184 SC NK	51	20S	442	20166-4XA	206
18184 SCGV	51	20TS16	442	20166-4XS	205
18184 SCGV NK	51	20TS20	442	20166-4XSS6	205
18184 TCF	80	20126-1	65	20167-12CHSC	101
18184 TCS	80	20126-12	106	20168-SD	146
18184 WPSC	63	20128-12	106	20168-SDLG	146
18186 HC	54	2016DF	155, 213	20168-SDSS4	209
18186 HC NK	54	2016P (GP)	154, 212	20168-SDSS6	210
18186 RHC	74	2016PSS4	154, 212	20168-SDW	146
18186 RTC	81	2016SP	155, 213	20168-SDWLG	146
18186 RTSC	57	201610-12	107	20168-SDWSS4	209
18186 RTSC NK	57	201610-4	144	20168-1	67
18186 RTSCGV	57	201610-4XA	207	20168-12	106
18186 RTSCGV NK	57	201610-4XS	205	20168-4	144
18186 SC	52	201610-4XSS6	205	20168-4XA	206
18186 SC NK	52	201610-SD	146	20168-4XFCHQRC	261
18186 SCG	61	201610-SDF	265	20168-4XFCHQRCW	263
18186 SCGV	52	201610-SDFQR	267	20168-4XFCHSC	259
18186 SCGV NK	52	201610-SDLG	146	20168-4XFLC	257
18186 TCF	80	201610-SDSS4	209	20168-4XS	205
18186 TCS	80	201610-SDSS6	210	20168-4XSS6	205
18186 WPSC	63	201610-SDW	146	2020DF	155, 213
18188 RTC	81	201610-SDWLG	146	2020P (GP)	154, 212
18188 RTHC	58	201612-12	107	2020PSS4	154, 212
18188 RTHC NK	58	201612-4XF	277	2020SP	155, 213
18188 RTSC	57	20166-FM	151	202010-12	107
18188 RTSC NK	57	20166RHC	74	202010-SD	146
18188 RTSCGV NK	57	20166 SCG	61	202010-SDLG	146
18188 SC	52	20166-SD	146	202010-SDW	146
18188 SC NK	52	20166-SDLG	146	202010-SDWLG	146
18188 SCGV NK	52	20166-SDSS4	209	202012-SD	146
18188 WPSC	63	20166-SDSS6	210	202012-SDLG	146
18249 RTCT	84	20166-SDW	146	202012-SDSS4	209
19URMA	157, 215	20166-SDWLG	146	202012-SDSS6	210
20DR1P	156, 214	20166-SDWSS4	209	202012-SDW	146
20DR3P	156, 214	20166-1	67	202012-SDWLG	146
20DRCP	156, 214	20166-1PP	70	202012-SDWSS4	209
20GS1	156, 214	20166-12	106	20206-FM	151
20MC	155, 213	20166-12TE	109	20206-SD	146

Index

Catalog Number	Page Number	Catalog Number	Page Number	Catalog Number	Page Number
20206-SDLG	146	22 C	11	22-12LCP	31
20206-SDSS4	209	22 E	11	22-12LDH	31
20206-SDSS6	210	22 E NK	11	22-12LE15A	29
20206-SDW	146	22 EGV	11	22-12LE45A	29
20206-SDWLG	146	22 EGV NK	11	22-12LE45B	29
20206-SDWSS4	209	22 FH	12, 18	22-12LE45C	29
20206-1	67	22 FTF	11, 17	22-12LE9A	28
20206-12	106	22 FTFGV	11	22-12LE9AC	28
20206-12TE	109	22 GF	11	22-12LE9B	28
20206-4	144	22 GFGV	11	22-12LE9C	28
20206-4XA	206	22 HSC	17	22-12LE9TC	28
20206-4XS	205	22 HSCA	17	22-12LE9TCC	28
20206-4XSS6	205	22 HSCU	17	22-12LJB	30
20207-12CHSC	101	22 HSE	17	22-12LN1	28
20208RHC	74	22 HSE NK	17	22-12LN2	28
20208 SCG	61	22 HSF	18	22-12LN3	28
20208-SD	146	22 HSL IN	19	22-12LSP	31
20208-SDLG	146	22 HSL OUT	19	22-12LTA	29
20208-SDSS4	209	22 HSL SIDE	19	22-12LTC	29
20208-SDSS6	210	22 HST	20	22-12LTF	27
20208-SDW	146	22 HSX	20	22-12LTSC	27
20208-SDWLG	146	22 L COMBO	13	22-12LTSCC	27
20208-SDWSS4	209	22 L COMBOGV	13	2204-12LW	27
20208-1	67	22 L SIDE	13	2206-12LW	27
20208-12	106	22 L SWEEP	13	2212 G	9
20208-4	144	22 L SWEEPGV	13	2212 G NK	9
20208-4XS	205	22 LTX	12	2212 GGV NK	9
20208-4XSS6	205	22 LTXGV	12	2212 HS	16
2024SP	155, 213	22 T	14	2212 HS NK	16
202410-SD	146	22 TGV	14	2212-12LW	27
202410-SDLG	146	22 X	14	22120 G	9
20246-12	106	22 XGV	14	22120 G NK	9
20248-1	67	22-12BK	12, 18, 31	22120 GGV	9
20248-12	106	22-12LAHM	30	22120 GGV NK	9
20248-4	144	22-12LAHW	30	22120 HS	16
20248-4XS	205	22-12LASD	30	22120 HS NK	16
20248-4XSS6	205	22-12LBC	31	22120-12LW	27
20248-SD	146	22-12LBH	31	2224 G	9
20248-SDLG	146	22-12LC	30	2224 G NK	9
203611 HRTCT	87	22-12LCF	27	2224 GGV	9

Catalog Number	Page Number	Catalog Number	Page Number	Catalog Number	Page Number
2224 GGV NK	9	24TS24	367, 442	24166-4XS	205
2224 HS	16	2412 TCF	80	24166-4XSS6	205
2224 HS NK	16	2412 TCS	80	24166-SD	146
2224-12LW	27	2412 WB	413	24166-SDLG	146
2233 FR	12, 17	241210 SC NK	53	24168 RTSC	57
2236 G	9	241210 SCGV NK	53	24168 RTSC NK	57
2236 G NK	9	241210-12	107	24168-SD	146
2236 GGV	9	241210-4XF	277	24168-SDLG	146
2236 GGV NK	9	241212 SC	53	24168-SDSS4	209
2236 HS	16	241212 SC NK	53	24168-SDSS6	210
2236 HS NK	16	241212 SCGV NK	53	24168-12	106
2236-12LW	27	24124 SC	51	24168-4XA	206
2245 HSL COMBO	19	24124 SC NK	51	24168-4XS	205
2245 HSL SIDE	19	24124 SCGV	51	24168-4XSS6	205
2245 L COMBO	14	24124 TCF	80	2418 SCF	53
2245 L COMBOGV	14	24124 TCS	80	2418 TCF	80
2245 L SIDE	14	24126 RTC	81	2418 TCS	80
2248 G	9	24126 RTSC	57	2418 WB	413
2248 G NK	9	24126 RTSC NK	57	241810 RTSC	57
2248 GGV NK	9	24126 SC NK	52	241810 RTSC NK	57
2248 HS	16	24126 SCGV NK	52	241810 SC	53
2248 HS NK	16	24126 TCF	80	241810 SC NK	53
2248-12LW	27	24126 TCS	80	241810 SCGV NK	53
2260 G	9	24126-12	106	241812 SC	53
2260 G NK	9	24126-4	144	241812 SC NK	53
2260 GGV	9	24126-4XF	277	241812 SCGV NK	53
2260 GGV NK	9	24126-4XS	205	24184 SC NK	51
2260 HS	16	24126-4XSS6	205	24184 SCGV	51
2260 HS NK	16	24128 SC	52	24184 TCF	80
2260-12LW	27	24128 SC NK	52	24184 TCS	80
2272 HS	16	24128 SCGV NK	52	24186 HC	54
2272 HS NK	16	24128-12	106	24186 HC NK	54
24DR1P	156, 214	2416P (GP)	154, 212	24186 RTC	81
24DR3P	156, 214	2416PSS4	154, 212	24186 RTSC	57
24DRCP	156, 214	2416SP	155, 213	24186 RTSC NK	57
24GS1	156, 214	241610-SD	146	24186 SC	52
24MC	155, 213	241610-SDLG	146	24186 SC NK	52
24PMK	159, 217	24166-1	67	24186 SCGV	52
24S	442	24166-12	106	24186 SCGV NK	52
24TS20	367, 442	24166-4	144	24186 TCF	80

Index

Catalog Number	Page Number	Catalog Number	Page Number	Catalog Number	Page Number
24186 TCS	80	24206-SDW	146	2424SF	157, 215
24186 WPSC	63	24206-1	67	2424SP	155, 213
24188 RTHC	58	24206-1PP	70	2424 TCF	80
24188 RTHC NK	58	24206-12	106	2424 TCS	80
24188 RTSC	57	24206-12TE	109	2424 WB	413
24188 RTSC NK	57	24206-4	144	242410 RHC	74
24188 SC	52	24206-4XA	206	242410 RTHC	58
24188 SC NK	52	24206-4XS	205	242410 RTHC NK	58
24188 SCGV NK	52	24206-4XS3PT	218	242410 RTSC	57
2420DF	155, 213	24206-4XSS6	205	242410 RTSC NK	57
2420P (GP)	154, 212	24206-4XSS63PT	218	242410 RTSCGV NK	57
2420PSS4	154, 212	24206-43PT	160	242410 SC	53
2420SP	155, 213	24207-12CHSC	101	242410 SC NK	53
242010-1	67	24208-FM	151	242410 SCGV NK	53
242010-12	107	24208RHC	74	242410-SD	146
242010-4	144	24208 SC NK	52	242410-SDLG	146
242010-4XA	207	24208 SCG	61	242410-SDW	146
242010-4XS	205	24208 SCGV NK	52	242410-SDWLG	146
242010-4XS3PT	218	24208-SD	146	242410-12	107
242010-4XSS6	205	24208-SDLG	146	242410-4D3PT	162
242010-4XSS63PT	218	24208-SDSS4	209	242410-4XF	277
242010-43PT	160	24208-SDSS6	210	242410-RHCF	275
242010-SD	146	24208-SDW	146	242411 RTCT	84
242010-SDLG	146	24208-SDWSS4	209	242412 RTSC	57
242010-SDW	146	24208-1	67	242412 RTSC NK	57
242010-SDWLG	146	24208-12	106	242412 RTSCGV NK	57
242012-1	67	24208-4	144	242412 SC	53
242012-12	107	24208-4XA	206	242412 SC NK	53
242012-SD	146	24208-4XF	277	242412 SCG	61
242012-SDLG	146	24208-4XS	205	242412 SCGV NK	53
242012-SDSS4	209	24208-4XS3PT	218	242412-1	67
242012-SDSS6	210	24208-4XSS6	205	242412-12	107
242012-SDW	146	24208-4XSS63PT	218	242412-4XA	207
242012-SDWLG	146	24208-43PT	160	242412-4XF	277
242016-12	107	24209-12CHSC	101	242412-4XS	205
242016-SD	148	2424DF	155, 213	242412-4XSS6	205
24206 SC NK	52	2424P (GP)	154, 212	242412-SCG	61
24206 SCGV NK	52	2424PSS4	154, 212	242412-SD	146
24206-SD	146	2424 SCF	53	242412-SDLG	146
24206-SDLG	146	2424 SCS	53	242412-SDSS4	209

Catalog Number	Page Number	Catalog Number	Page Number	Catalog Number	Page Number
242412-SDSS6	210	24246 TCF	80	243011 HRTCT	87
242412-SDW	146	24246 TCS	80	243011 RTCT	84
242412-SDWLG	146	24246 WPSC	63	24308-12	106
242412-4XS3PT	219	24246-1	67	24308-4	144
242412-4XSS63PT	219	24246-12	106	24308-4XA	206
242412-43PT	163	24246-12TE	109	24308-4XS	205
242416-12	107	24246-4	144	24308-4XSS6	205
242416-SD	148	24246-4XS	205	24308-SD	146
242416-SDLG	148	24246-4XSS6	205	24308-SDLG	146
242416-SDW	148	24248-FM	151	24329 RTCT	84
242416-SDWLG	148	24248RHC	74	243611 RTCT	84
242416-SDSS4	209	24248 RTC	81	244210-4D3PT	162
242416-SDSS6	210	24248 RTHC	58	24428-12D	110
242420-SD	148	24248 RTHC NK	58	24428-4XSD3PT	220
242420-SDLG	148	24248 RTSC	57	24428-TD	155
242420-SDW	148	24248 RTSC NK	57	2442P (GP)	154, 212
242420-SDWLG	148	24248 RTSCGV NK	57	2442PSS4	154, 212
24244 RTSC	57	24248 SC	52	244811 HRTCT	87
24244 RTSC NK	57	24248 SC NK	52	244811 RTCT	84
24244 SC	51	24248 SCG	61	24488-12D	110
24244 SC NK	51	24248 SCGV NK	52	24488-4XSD3PT	220
24244 SCGV	51	24248-SD	146	25012A	368, 443
24244 SCGV NK	51	24248-SDLG	146	25092 A (B)	421
24244 TCF	80	24248-SDSS4	209	25228 A (B, C, D)	427
24244 TCS	80	24248-SDSS6	210	25270 A	421
24246 HC	54	24248-SDW	146	25277 A	421
24246 HC NK	54	24248-SDWLG	146	25278 A	421
24246 RTC	81	24248-SDWSS4	209	25288 A	421
24246 RTSC	57	24248 WPSC	63	25289 A	421
24246 RTSC NK	57	24248-1	67	25345 A	426
24246 RTSCGV NK	57	24248-12	106	25350 A	424
24246 SC	52	24248-4	144	25351 A	419
24246 SC NK	52	24248-4XA	206	25352 A	419
24246 SCG	61	24248-4XS	205	25421 A	424
24246 SCGV	52	24248-4XS3PT	218	26URMA	157, 215
24246 SCGV NK	52	24248-4XSS6	205	29645	453
24246-SD	146	24248-4XSS63PT	218	20646	453
24246-SDLG	146	24248-43PT	160	3MDBLK	158, 216, 420
24246-SDW	146	243010-SD	146	3MT1DBLK	420
24246-SDWLG	146	243010-SDLG	146	3MT4DBLK	423

Index

Catalog Number	Page Number	Catalog Number	Page Number	Catalog Number	Page Number
30GS1	157, 214	30206-4	144	302412 RTSC	57
30MC	155, 213	30206-4XF	277	302412 RTSC NK	57
30PMK	159, 217	30207-12CHSC	101	302412 SC	53
30S	442	30208-RHCF	275	302412 SC NK	53
30TS20	442	30208-SD	146	302412 SCGV NK	53
30TS24	442	30208-SDLG	146	302412-SD	148
3015 TCF	80	30208-1	67	302412-SDLG	148
3015 TCS	80	30208-12	106	302412-SDSS4	209
3015 WB	413	30208-4	144	302412-SDSS6	210
30154 TCF	80	30208-4XA	206	302412-SDW	148
30154 TCS	80	30208-4XF	277	302412-SDWLG	148
30156 TCF	80	30208-4XS	205	302412-SDWSS4	209
30156 TCS	80	30208-4XSS6	205	302412-1	67
30166-12	106	30209-12CHSC	101	302412-12	107
3018 TCF	80	3024DF	155, 213	302412-4	144
3018 TCS	80	3024P (GP)	154, 212	302412-4XA	207
3018 WB	413	3024PSS4	154,212	302412-4XF	277
30184 SC NK	51	3024SF	157, 215	302412-4XS	205
30184 SCGV	51	3024SP	155, 213	302412-4XS3PT	219
30184 SCGV NK	51	3024 TCF	80	302412-4XSS6	205
30184 TCF	80	3024 TCS	80	302412-4XSS63PT	219
30184 TCS	80	3024 WB	413	302412-43PT	161
30186 SC NK	52	302410 RHC	74	302416-SD	148
30186 SCGV NK	52	302410-RHCF	275	302416-SDSS4	209
30186 TCF	80	302410 RTSC	57	302416-SDSS6	210
30186 TCS	80	302410 RTSC NK	57	302416-12	107
3020P (GP)	154, 212	302410 SC NK	53	302416-4XS	205
3020PSS4	154, 212	302410 SCGV NK	53	302416-4XSS6	205
3020SP	155, 213	302410-SD	146	302420-SD	148
302010-RHCF	275	302410-SDLG	146	302420-SDLG	148
302010-SD	146	302410-SDW	146	302420-SDW	148
302010-SDLG	146	302410-SDWLG	146	302420-SDWLG	148
302010-SDSS4	209	302410 WPSC	63	302420-12	107
302010-SDSS6	210	302410-1	67	302424-12	107
302010-12	107	302410-12	107	30244 SC	51
302010-4XF	277	302410-4	144	30244 SC NK	51
302012-4XF	277	302410-4XF	277	30244 SCGV	51
30206-1	67	302410-4XS	205	30244 SCGV NK	51
30206-12	106	302410-4XSS6	205	30244 TCF	80
30206-12TE	109	302412-RHCF	275	30244 TCS	80

Catalog Number	Page Number	Catalog Number	Page Number	Catalog Number	Page Number
30246 HC	54	3030P (GP)	154, 212	30308-12	106
30246 HC NK	54	3030PSS4	154, 212	30308-4	144
30246 RTC	81	3030SP	155, 213	30308-4XA	206
30246 SC	52	3030 TCF	80	30308-4XS	205
30246 SC NK	52	3030 TCS	80	30308-4XS3PT	218
30246 SCGV	52	3030 WB	413	30308-4XSS6	205
30246 SCGV NK	52	303010 RTSC NK	57	30308-4XSS63PT	218
30246 TCF	80	303010 SC NK	53	30308-43PT	160
30246 TCS	80	303010 SCGV NK	53	303611 HRTCT	87
30246-1	67	303010-SD	146	303611 RTCT	84
30246-12	106	303010-SDLG	146	303614 RTCT	84
30246-12TE	109	303011 RTCT	84	303616DRHC	76
30246-4	144	303012RHC	74	30368-12	106
30246-4XS	205	303012 RTSC NK	57	304210-12D	110
30246-4XSS6	205	303012 SC NK	53	304210-4D3PT	162
30247-12CHSC	101	303012 SCG	61	304210-4XSD3PT	220
30248-FM	151	303012 SCGV NK	53	304212DRHC	76
30248RHC	74	303012-SD	148	3048P (GP)	154, 212
30248 SC	52	303012-SDLG	148	3048PSS4	154, 212
30248 SC NK	52	303012-SDSS4	209	304810-12D	110
30248 SCGV	52	303012-SDSS6	210	304810-4D3PT	162
30248 SCGV NK	52	303012-12	107	304810-4XSD3PT	220
30248-SD	146	303016 RHC	74	304811 HRTCT	87
30248-SDLG	146	303016 SC NK	53	30488-TD	153
30248-SDSS4	209	30304 SC NK	51	3060P (GP)	154, 212
30248-SDSS6	210	30304 SCGV NK	51	3060PSS4	154, 212
30248-SDW	146	30304 TCF NK	80	306010-12D	110
30248-SDWLG	146	30304 TCS NK	80	306010-4D3PT	162
30248-SDWSS4	209	30306 SC NK	52	306010-4XSD3PT	220
30248-1	67	30306 SCGV NK	52	306012-TD	153
30248-12	106	30306 TCF NK	80	32170	158, 216, 418
30248-4	144	30306 TCS NK	80	32171	158, 216, 418
30248-4XA	206	30308 RHC	74	32172	418
30248-4XF	277	30308 SC NK	52	33 C	11
30248-4XS	205	30308 SCGV NK	52	33 E	11
30248-4XS3PT	218	30308-SD	146	33 E NK	11
30248-4XSS6	205	30308-SDLG	146	33 FH	12
30248-4XSS63PT	218	30308-SDSS4	209	33 FL IN	13
30248-43PT	160	30308-SDSS6	210	33 FL OUT	13
30249-12CHSC	101	30308-1	67	33 FL SIDE	13

Index

Catalog Number	Page Number	Catalog Number	Page Number	Catalog Number	Page Number
33 FTF	11, 17	362410-4XS	205	36248-SDSS4	209
33 GF	11	362410-4XSS6	205	36248-SDSS6	210
33 L COMBO	13	362412RHC	74	36248-1	67
33 L SIDE	13	362412 RTSC	57	36248-12	106
33 L SWEEP	13	362412 RTSC NK	57	36248-4	144
33 LTX	12	362412 SC	53	36248-4XA	206
33 T	14	362412 SC NK	53	36248-4XS	205
33 X	14	362412 SCGV NK	53	36248-4XS3PT	218
33-12BK	12, 18	362412-SD	148	36248-4XSS6	205
332-4XFSC	271	362412-SDLG	148	36248-4XSS63PT	218
3312 G NK	9	362412-SDSS4	209	36248-43PT	160
33120 G NK	9	362412-SDSS6	210	36249-12CHSC	101
3324 G NK	9	362412-12	107	3630P (GP)	154, 212
3336 G NK	9	362416-SD	148	3630PSS4	154, 212
3344 FR	12, 17	362416-4XA	207	3630SP	155, 213
3345 L COMBO	14	36244 TCF	80	3630 TCF	80
3345 L SIDE	14	36244 TCS	80	3630 TCS	80
3348 G NK	9	36246 HC	54	3630 WB	413
3360 G NK	9	36246 HC NK	54	363010-RHCF	275
3372 G NK	9	36246 RTC	81	363010-SD	146
36GS3	156, 214	36246 SC	52	363010-SDLG	146
36MC	155, 213	36246 SC NK	52	363010-12	107
36S	442	36246 SCGV NK	52	363010-4	144
36TS24	442	36246 TCF	80	363010-4XA	207
36TS30	442	36246 TCS	80	363010-4XF	277
3624P (GP)	154, 212	36246-1	67	363010-4XS	205
3624PSS4	154, 212	36246-1PP	70	363010-4XS3PT	218
3624SF	157, 215	36246-12	106	363010-4XSS6	205
3624SP	155, 213	36246-12TE	109	363010-4XSS63PT	218
3624 TCF	80	36246-4	144	363010-43PT	160
3624 TCS	80	36246-4XS	205	363012RHC	74
3624 WB	413	36246-4XSS6	205	363012-RHCF	275
362410 RTHC	58	36247-12CHSC	101	363012 RTHC NK	58
362410 RTHC NK	58	36248 HC	54	363012 RTSC NK	57
362410 SC NK	53	36248 HC NK	54	363012-SD	148
362410 SCGV NK	53	36248 SC	52	363012-SDLG	148
362410-SD	146	36248 SC NK	52	363012-SDSS4	209
362410-SDLG	146	36248 SCGV NK	52	363012-SDSS6	210
362410-12	107	36248-SD	146	363012-1	67
362410-4XA	207	36248-SDLG	146	363012-12	107

Catalog Number	Page Number	Catalog Number	Page Number	Catalog Number	Page Number
363012-4	144	36308-4XS	205	36366 SCGV NK	52
363012-4XA	207	36308-4XS3PT	218	36366 TCF NK	80
363012-4XF	277	36308-4XSS6	205	36366 TCS NK	80
363012-4XS	205	36308-4XSS63PT	218	36368 RTSC NK	57
363012-4XS3PT	219	36308-43PT	160	36368 SC NK	52
363012-4XSS6	205	3636P (GP)	154, 212	36368 SCGV NK	52
363012-4XSS63PT	219	3636PSS4	154, 212	36368-SD	146
363012-43PT	161	3636SP	155, 213	36368-SDLG	146
363016-SD	148	3636 TCF	80	36368 SDSS4	209
363016-SDLG	148	3636 TCS	80	36368 SDSS6	210
363016-12	107	3636 WB	413	36368-12	106
363016-4	144	363610 RHC	74	364211 RTCT	84
363016-4XA	207	363610 SC NK	53	364212-12D	110
363016-4XS	205	363610 SCGV NK	53	364212-4XSD3PT	220
363016-4XSS6	205	363610-SD	146	364216DRHC	76
363020-SD	148	363610-SDLG	146	364811 HRTCT	87
363020-SDLG	148	363611 HRTCT	87	364811 RTCT	84
363020-12	107	363611 RTCT	84	364812DRHC	76
36304 TCF NK	80	363612RHC	74	364812-TD	153
36304 TCS NK	80	363612 RTSC NK	57	364812-12D	110
36306 SC NK	52	363612 RTSCGV NK	57	364812-4D3PT	162
36306 SCGV NK	52	363612 SC NK	53	364812-4XFD	279
36306 TCF NK	80	363612 SCG	61	364812-4XSD3PT	220
36306 TCS NK	80	363612 SCGV NK	53	364814 RTCT	84
36306-1	67	363612-SD	148	366012-12D	110
36306-1PP	70	363612-SDLG	148	366012-TD	153
36306-12	106	363612-SDSS4	209	366012-4D3PT	162
36308-RHCF	275	363612-SDSS6	210	366012-4XSD3PT	220
36308 SC NK	52	363612-12	107	4MT4HXLKBM	423
36308 SCGV NK	52	363612-4XS	205	42GS3	156, 214
36308-SD	146	363612-4XS3PT	219	42MC	155, 213
36308-SDLG	146	363612-4XSS6	205	42S	442
36308-SDSS4	209	363612-4XSS63PT	219	42TS30	442
36308-SDSS6	210	363612-43PT	161	42248-1	67
36308-1	67	363616 SC NK	53	42248-12	106
36308-12	106	363616 SCGV NK	53	4230P (GP)	154, 212
36308-12TE	109	36364 TCF NK	80	4230PSS4	154, 212
36308-4	144	36364 TCS NK	80	423010-SD	146
36308-4XA	206	36366 RTSC NK	57	423010-SDSS4	209
36308-4XF	277	36366 SC NK	52	423010-SDSS6	210

Index

Catalog Number	Page Number	Catalog Number	Page Number	Catalog Number	Page Number
423010-12	107	42369-1	69	44 T	14
423010-4XA	207	424211 RTCT	84	44 TGV	14
423010-4XS	205	424212-12D	110	44 X	14
423010-4XS3PT	218	424212-4XSD3PT	220	44 XGV	14
423010-4XSS6	205	424812-12D	110	44-12BH	35
423010-4XSS63PT	218	424812-4XSD3PT	220	44-12BK	12, 18, 24, 31, 34, 38
423012-12	107	426012-12D	110	44-12DH	35
423012RHC	74	426012-4XSD3PT	220	44-12FBC	34
423012-SD	148	44 C	11	44-12FC	35
423012-SDLG	148	44 E	11	44-12FCF	34
423013-1	69	44 E NK	11	44-12FCP	34
42308-12	106	44 EGV	11	44-12FE45	35
42308-12TE	109	44 EGV NK	11	44-12FE9	35
42308-4	144	44 FH	12, 18	44-12FFF	35
42308-4XS	205	44 FL IN	13	44-12FGK	34
42308-4XSS6	205	44 FL OUT	13	44-12FN1	34
42309-1	69	44 FL SIDE	13	44-12FN2	34
4236P (GP)	154, 212	44 FTF	11, 17	44-12FN3	34
4236PSS4	154, 212	44 FTFGV	11	44-12FN6	34
423610-SD	146	44 GF	11	44-12FT	35
423610-SDLG	146	44 GFGV	11	44-12FTF	33
423610-12	107	44 HSC	17	44-12LAFW	30
423612RHC	74	44 HSCA	17	44-12LAHM	30
423612-SD	148	44 HSCU	17	44-12LAHW	30
423612-SDLG	148	44 HSE	17	44-12LASD	30
423612-SDSS4	209	44 HSE NK	17	44-12LBC	31
423612-SDSS6	210	44 HSF	18	44-12LBH	31
423612-12	107	44 HSL IN	19	44-12LC	30
423612-4XS3PT	219	44 HSL OUT	19	44-12LCF	27
423612-4XSS63PT	219	44 HSL SIDE	19	44-12LCP	31
423613-1	69	44 HST	20	44-12LDH	31
423616-SD	148	44 HSX	20	44-12LE15A	29
423616-SDSS4	209	44 L COMBO	13	44-12LE45A	29
423616-SDSS6	210	44 L COMBOGV	13	44-12LE45B	29
423616-12	107	44 L SIDE	13	44-12LE45C	29
42368-12	106	44 L SWEEP	13	44-12LE9A	28
42368-4	144	44 L SWEEPGV	13	44-12LE9AC	28
42368-4XA	206	44 LTX	12	44-12LE9B	28
42368-4XS	205	44 LTXGV	12	44-12LE9C	28
42368-4XSS6	205	44 SCF	53	44-12LE9TC	28

Catalog Number	Page Number	Catalog Number	Page Number	Catalog Number	Page Number
44-12LE9TCC	28	4404-12LW	27	4424 G	9
44-12LJB	30	4406-12LW	27	4424 G NK	9
44-12LN1	28	4412 G	9	4424 GGV	9
44-12LN2	28	4412 G NK	9	4424 GGV NK	9
44-12LN3	28	4412 GGV	9	4424 GRT	43
44-12LSP	31	4412 GGV NK	9	4424 GRT NK	43
44-12LTA	29	4412 GRT	43	4424 GRTGV NK	43
44-12LTC	29	4412 GRT NK	43	4424 GTGV NK	41
44-12LTF	27	4412 GRTGV NK	43	4424 HS	16
44-12LTSC	27	4412 GTGV NK	41	4424 HS NK	16
44-12LTSCC	27	4412 HS	16	4424-12FW	33
44-3RAHSC	22	4412 HS NK	16	4424-12LW	27
44-3RAHSE NK	23	4412-12FW	33	4424-12WT	45
44-3RAHSF	23	4412-12LW	27	4424-4XSFW	37
44-3RAHSL SIDE	23	4412-12WT	45	4424-4XSWT	47
44-3RAHST	23	4412-3RHS NK	22	443 SC	51
44-3RASCX	23	4412-3RAHS NK	22	443 SC NK	51
44-3RBKA	24	4412-4XSFW	37	443 SCGV	51
44-3RHSC	22	4412-4XSWT	47	443 SCGV NK	51
44-3RHSE NK	23	44120 G	9	443-12CHC	93
44-3RHSE	23	44120 G NK	9	443-12LC	91
44-3RHSL SIDE	23	44120 GGV	9	443-12SC	95
44-3RHST	23	44120 GGV NK	9	443-4CHC	139
44-3RSCX	24	44120 GRT NK	43	443-4LC	137
44-4XSBH	39	44120 GRTGV NK	43	443-4QT	141
44-4XSDH	39	44120 HS	16	443-4XALC	197
44-4XSFC	38	44120 HS NK	16	443-4XSLC	195
44-4XSFC	39	44120-3RHS NK	22	443-4XSS6LC	195
44-4XSFCF	38	44120-3RAHS NK	22	4430-12WT	45
44-4XSFCP	38	44120-12FW	33	4430-4XSWT	47
44-4XSFE45	39	44120-12LW	27	4436 G	9
44-4XSFE9	39	44120-4XSFW	37	4436 G NK	9
44-4XSFFF	39	4418 G	9	4436 GGV	9
44-4XSFGK	38	4418 G NK	9	4436 GGV NK	9
44-4XSFN1	38	4418 GGV NK	9	4436 GRT	43
44-4XSFN2	38	4418 GRT	43	4436 GRT NK	43
44-4XSFN3	38	4418 GRT NK	43	4436 GRTGV NK	43
44-4XSFN6	38	4418-12WT	45	4436 GTGV NK	41
44-4XSFT	39	4418-4XSWT	47	4436 HS	16
44-4XSFTF	37	4422-12LR	30	4436 HS NK	16

Index

Catalog Number	Page Number	Catalog Number	Page Number	Catalog Number	Page Number
4436-12FW	33	4460 GGV	9	4824PSS4	154, 212
4436-12LW	27	4460 GGV NK	9	4824 TCF	80
4436-12WT	45	4460 GRT	43	4824 TCS	80
4436-4XSF	37	4460 GRT NK	43	4824 WB	413
4436-4XSWT	47	4460 GRTGV NK	43	482410-SD	146
444 RTSC	57	4460 GTGV NK	41	482410-SDLG	146
444 RTSC NK	57	4460 HS	16	482412-SD	148
444 RTSCGV	57	4460 HS NK	16	482412-SDLG	148
444 SC	51	4460-3RHS NK	22	48244 TCF	80
444 SC NK	51	4460-3RAHS NK	22	48244 TCS	80
444 SCG	61	4460-12FW	33	48246 TCF	80
444 SCGV	51	4460-12LW	27	48246 TCS	80
444 SCGV NK	51	4460-12WT	45	48248-12	106
444 WPSC	63	4460-4XSF	37	483010-SD	146
444-12CHC	93	4460-4XSWT	47	483010-12	107
444-12LC	91	4466 FR	12, 17	483010-4	144
444-12SC	95	4466-3RASCR	24	483010-4XS	205
444-4QT	141	4466-3RSCR	24	483010-4XSS6	205
4445 HSL COMBO	19	4472 G	9	48308-12	106
4445 HSL SIDE	19	4472 G NK	9	4836P (GP)	154, 212
4445 L COMBO	14	4472 GGV	9	4836PSS4	154, 212
4445 L COMBOGV	14	4472 GGV NK	9	4836 TCF	80
4445 L SIDE	14	4472 GRT	43	4836 TCS	80
4448 G	9	4472 GRT NK	43	4836 WB	413
4448 G NK	9	4472 GRTGV NK	43	483610-SD	146
4448 GGV	9	4472 GTGV NK	41	483610-12	107
4448 GGV NK	9	4472 HS	16	483610-4	144
4448 GRT	43	4472 HS NK	16	483610-4XS	205
4448 GRT NK	43	4472-12WT	45	483610-4XS3PT	218
4448 GRTGV NK	43	4472-4XSWT	47	483610-4XSS6	205
4448 GTGV NK	41	4488-3RASCR	24	483610-4XSS63PT	218
4448 HS	16	4488-3RSCR	24	483610-43PT	160
4448 HS NK	16	4496 GRT NK	43	483611-1	69
4448-12FW	33	4700-CC	437	483612RHC	74
4448-12LW	27	4700-CC2	437	483612-RHCF	275
4448-12WT	45	48GS3	156, 214	483612-SD	148
4448-4XSF	37	48MC	155, 213	483612-SDLG	148
4448-4XSWT	47	48S	442	483612-SDSS4	209
4460 G	9	48TS36	442	483612-SDSS6	210
4460 G NK	9	4824P (GP)	154, 212	483612-12	107

Catalog Number	Page Number	Catalog Number	Page Number	Catalog Number	Page Number
483612-4	144	48368-4XSS63PT	218	603612-SDSS4	209
483612-4XA	207	48368-43PT	160	603612-SDSS6	210
483612-4XF	277	48369-1	69	603612-12	107
483612-4XS	205	4848 TCF	80	603612-4XA	207
483612-4XS3PT	219	4848 TCS	80	603612-4XF	277
483612-4XSS6	205	4848 WB	413	603612-4XS	205
483612-4XSS63PT	219	484811 RTCT	84	603612-4XS3PT	219
483612-43PT	161	484812-12D	110	603612-4XSS6	205
483613-1	69	484812-4XSD3PT	220	603612-4XSS63PT	219
483616 RHC	74	484812 SC NK	53	603612-43PT	161
483616-RHCF	275	484812 SCGV NK	53	603616-SD	148
483616-SD	148	484816 SC NK	53	603616-SDSS4	209
483616-SDLG	148	484816 SCGV NK	53	603616-SDSS6	210
483616-SDSS4	209	48484 TCF NK	80	603616-12	107
483616-SDSS6	210	48484 TCS NK	80	603616-4	144
483616-12	107	48486 SC NK	52	603616-4XF	277
483616-4	144	48486 SCGV NK	52	603616-4XS	205
483616-4XA	207	48486 TCF NK	80	603616-4XS3PT	219
483616-4XF	277	48486 TCS NK	80	603616-4XSS6	205
483616-4XS	205	532-4XFSC	271	603616-4XSS63PT	219
483616-4XS3PT	219	54428-12FD	112	603616-43PT	161
483616-4XSS6	205	6MT4SLKBM	423	603620-SD	148
483616-4XSS63PT	219	6.5MT4TLKBM	423	603620-12	107
483616-43PT	161	60GS3	156, 214	603624-4FS3PT	174
483617-1	69	60MC	155, 213	603624-4XSFS3PT	232
483620-SD	148	60S	442	60368-12	106
483620-12	107	60TS36	442	60368-12TE	109
48364 TCF NK	80	602418-4FS3PT	174	60368-4	144
48364 TCS NK	80	602418-4XSFS3PT	232	604810-12FD	112
48366 SC NK	52	6036P (GP)	154, 212	604812-12FD	112
48366 SCGV NK	52	6036PSS4	154, 212	604812-4FDQT	166
48366 TCF NK	80	603610-SD	146	604812-4XSFDQT	224
48366 TCS NK	80	603610-SDLG	146	604816-12FD	112
48368-12	106	603610-12	107	604818-12FSD	115
48368-12TE	109	603610-4	144	604818-4XSFDQT	224
48368-4	144	603610-4XS	205	604818-4XSFS3PT	236
48368-4XA	206	603610-4XSS6	205	604820-12FD	112
48368-4XS	205	603612RHC	74	604824-12FD	112
48368-4XS3PT	218	603612-SD	148	60488-12FD	112
48368-4XSS6	205	603612-SDLG	148	606010-12FD	112

Index

Catalog Number	Page Number	Catalog Number	Page Number	Catalog Number	Page Number
606012-12FD	112	643-12CHQRC	99	66 C	11
606012-4FDQT	166	643-12LC	91	66 E	11
606012-4XSFQDT	224	643-12SC	95	66 E NK	11
606016-12FD	112	643-4CHC	139	66 EGV	11
606018-4XSFQDT	224	643-4LC	137	66 EGV NK	11
606024-12FD	112	643-4QT	141	66 FH	12, 18
624810-4FD	164	643-4XALC	197	66 FL IN	13
624810-4XAFD	222	643-4XSLC	195	66 FL OUT	13
624810-4XSFD	222	643-4XSS6LC	195	66 FL SIDE	13
624810-4XSS6FD	222	6436 G NK	9	66 FTF	11, 17
624812-4FD3PT	168	644 RHC	72	66 FTFGV	11
624812-4XSFD	222	644-FTC	103	66 GF	11
624812-4XSFD3PT	226	644 RTHC	58	66 GFGV	11
624812-4XSS6FD	222	644 RTHC NK	58	66 HSC	17
624812-4XSS6FD3PT	226	644 RTSC	57	66 HSCA	17
624818-4XSFD3PT	226	644 RTSC NK	57	66 HSCU	17
624818-4XSS6FD3PT	226	644 SC	51	66 HSE	17
626012-4FD	164	644 SC NK	51	66 HSE NK	17
626012-4FD3PT	168	644 SCGV	51	66 HSF	18
626012-4XSFD	222	644 SCGV NK	51	66 HSL IN	19
626012-4XSFD3PT	226	644 WPSC	63	66 HSL OUT	19
626012-4XSS6FD	222	644-12CHC	93	66 HSL SIDE	19
626012-4XSS6FD3PT	226	644-12LC	91	66 HST	20
64AMK	159, 217	644-12SC	95	66 HSX	20
64 C	11	644-4CHC	139	66 L COMBO	13
64 E	11	644-4QT	141	66 L COMBOGV	13
64 E NK	11	644-4XACHC	201	66 L SIDE	13
64 FTF	11	644-4XFCHQRC	261	66 L SWEEP	13
64 GF	11	644-4XFCHQRCW	263	66 L SWEEP GV	13
64 L COMBO	13	644-4XFCHSC	259	66 LTX	12
64 L SIDE	13	644-4XFLC	257	66 LTXGV	12
64 L SWEEP	13	644-4XFSC	271	66 SCF	53
64 LTX	12	644-4XSCHC	199	66 SCS	53
64 T	14	644-4XSQT	203	66 T	14
64 X	14	644-4XSS6CHC	199	66 TGV	14
6412 G NK	9	6445 L COMBO	14	66 X	14
64120 G NK	9	6445 L SIDE	14	66 XGV	14
6418 G NK	9	6448 G NK	9	66-3RAHSC	22
6424 G NK	9	6460 G NK	9	66-3RAHSE NK	23
643-12CHC	93	6472 G NK	9	66-3RAHSF	23

Catalog Number	Page Number	Catalog Number	Page Number	Catalog Number	Page Number
66-3RAHSL-SIDE	23	66-12LE45C	29	6612 GRT NK	43
66-3RAHST	23	66-12LE9A	28	6612 GRTGV NK	43
66-3RASCX	24	66-12LE9AC	28	6612 GTGV NK	41
66-3RBKA	24	66-12LE9B	28	6612 HS	16
66-3RHSC	22	66-12LE9C	28	6612 HS NK	16
66-3RHSE NK	23	66-12LE9TC	28	6612-3RHS NK	22
66-3RHSF	23	66-12LE9TCC	28	6612-3RAHS NK	22
66-3RHSL-SIDE	23	66-12LJB	30	6612-12FW	33
66-3RHST	23	66-12LN1	28	6612-12LW	27
66-3RSCX	24	66-12LN2	28	6612-12WT	45
66-12BH	35	66-12LN3	28	6612-4XSFV	37
66-12BK	12, 18, 24, 31, 34, 38	66-12LSP	31	6612-4XSWT	47
66-12DH	35	66-12LTA	29	66120 G	9
66-12FBC	34	66-12LTC	29	66120 G NK	9
66-12FC	35	66-12LTF	27	66120 GGV	9
66-12FCF	34	66-12LTSC	27	66120 GGV NK	9
66-12FCP	34	66-12LTSCC	27	66120 GRT NK	43
66-12FE45	35	66-4XSBH	39	66120 GRTGV NK	43
66-12FE9	35	66-4XSDH	39	66120 HS	16
66-12FFF	35	66-4XSFC	38	66120 HS NK	16
66-12FGK	34	66-4XSFCF	38	66120-12FW	33
66-12FN1	34	66-4XSFCP	38	66120-12LW	27
66-12FN2	34	66-4XSFE45	39	66120-3RHS NK	22
66-12FN3	34	66-4XSFE9	39	66120-3RAHS NK	22
66-12FN6	34	66-4XSFE9	39	66120-4XSFV	37
66-12FT	35	66-4XSFFF	39	6618 G	9
66-12FTF	33	66-4XSFGK	38	6618 G NK	9
66-12LAFW	30	66-4XSFN1	38	6618 GGV NK	9
66-12LAHM	30	66-4XSFN2	38	6618 GRT	43
66-12LAHW	30	66-4XSFN3	38	6618 GRT NK	43
66-12LASD	30	66-4XSFN6	38	6618 GRTGV NK	43
66-12LBC	31	66-4XSFT	39	6618-12WT	45
66-12LBH	31	66-4XSFTF	37	6618-4XSWT	47
66-12LC	30	6604-12LW	27	6624 G	9
66-12LCF	27	6606-12LW	27	6624 G NK	9
66-12LCP	31	6612 G	9	6624 GGV	9
66-12LDH	31	6612 G NK	9	6624 GGV NK	9
66-12LE15A	29	6612 GGV	9	6624 GRT	43
66-12LE45A	29	6612 GGV NK	9	6624 GRT NK	43
66-12LE45B	29	6612 GRT	43	6624 GRTGV NK	43

Index

Catalog Number	Page Number	Catalog Number	Page Number	Catalog Number	Page Number
6624 GTGV NK	41	664 SCGV	51	6648 GGV NK	9
6624 HS	16	664 SCGV NK	51	6648 GRT	43
6624 HS NK	16	664-SDF	265	6648 GRT NK	43
6624-12FW	33	664-SDFQR	267	6648 GRTGV NK	43
6624-12LW	27	664-SDFQRCC	269	6648 GTGV NK	41
6624-12WT	45	664 WPSC	63	6648 HS	16
6624-4XSFV	37	664-1	65	6648 HS NK	16
6624-4XSWT	47	664-12CHC	93	6648-12FW	33
663 SC	51	664-12CHQRC	99	6648-12LW	27
663 SC NK	51	664-12CHSC	97	6648-12WT	45
663 SCGV	51	664-12LC	91	6648-4XSFV	37
663 SCGV NK	51	664-12SC	95	6648-4XSWT	47
6636 G	9	664-4CHC	139	666 HC	54
6636 G NK	9	664-4LC	137	666 HC NK	54
6636 GGV	9	664-4QT	141	666 RTSC	57
6636 GGV NK	9	664-4XACHC	201	666 RTSC NK	57
6636 GRT	43	664-4XALC	197	666 RTSCGV	57
6636 GRT NK	43	664-4XFCHQRC	261	666 RTSCGV NK	57
6636 GRTGV NK	43	664-4XFCHQRCW	263	666 SC	52
6636 GTGV NK	41	664-4XFCHSC	259	666 SC NK	52
6636 HS	16	664-4XFLC	257	666 SCG	61
6636 HS NK	16	664-4XSCHC	199	666 SCGV	52
6636-12FW	33	664-4XSLC	195	666 SCGV NK	52
6636-12LW	27	664-4XSQT	203	666 WPSC	63
6636-12WT	45	664-4XSS6CHC	199	6660 G	9
6636-4XSFV	37	664-4XSS6LC	195	6660 G NK	9
6636-4XSWT	47	664-FTC	103	6660 GGV	9
664 HC	54	6644-12FRC	34	6660 GGV NK	9
664 HC NK	54	6644-12FRE	34	6660 GRT	43
664 RHC	72	6644-12LR	30	6660 GRT NK	43
664 RTC	81	6644-4XSFRC	38	6660 GRTGV NK	43
664 RTHC	58	6644-4XSFRE	38	6660 GTGV NK	41
664 RTHC NK	58	6645 HSL COMBO	19	6660 HS	16
664 RTSC	57	6645 HSL SIDE	19	6660 HS NK	16
664 RTSC NK	57	6645 L COMBO	14	6660-3RHS NK	22
664 RTSCGV	57	6645 L COMBOGV	14	6660-3RAHS NK	22
664 RTSCGV NK	57	6645 L SIDE	14	6660-12FW	33
664 SC	51	6648 G	9	6660-12LW	27
664 SC NK	51	6648 G NK	9	6660-12WT	45
664 SCG	61	6648 GGV	9	6660-4XSFV	37

Catalog Number	Page Number	Catalog Number	Page Number	Catalog Number	Page Number
6660-4XSWT	47	722524-4XSS6FS	228	724818-12FSD	115
6672 G	9	723016-12	107	724818-4XFFSD	283
6672 G NK	9	723018-4FS3PT	174	724818-4XSFSD3PT	236
6672 GGV	9	723018-4XSFS3PT	232	724824-12FSD	115
6672 GGV NK	9	723020-12	107	724824-12FSDDA	116
6672 GRT	43	723024-12	107	724824-4XSFSD3PT	236
6672 GRT NK	43	723024-4FS3PT	174	724824-4XSFSDDA3PT	239
6672 GRTGV NK	43	723024-4FSDA3PT	177	726010-12FD	112
6672 GTGV NK	41	723024-4FSQT	172	726012-12FD	112
6672 HS	16	723024-4XSFS3PT	232	726012-4FDQT	166
6672 HS NK	16	723024-4XSFSDA3PT	235	726012-4XSFDQT	224
6672-12WT	45	723024-4XSFSQT	230	726016-12FD	112
6672-4XSWT	47	723118-4FS	170	726018-12FSD	115
6688 FR	12, 17	723118-4XSFS	228	726018-4XSFDQT	224
6688-3RSCR	24	723118-4XSS6FS	228	726018-4XSFSD3PT	236
6688-3RASCR	24	723124-4FS	170	726020-12FD	112
6696 GRT NK	43	723124-4XSFS	228	726024-12FD	112
7MSLK	158, 216, 420	723124-4XSS6FS	228	726024-12FSD	115
7MTLK	158, 216, 420	723612-12	107	726024-12FSDDA	116
7MT1SLK	420	723618-4FS3PT	174	726024-4XSFS3PT	236
7MT1TLK	420	723618-4XFFS	281	726024-4XSFSDDA3PT	239
7MT4SLKB	423	723618-4XSFS3PT	232	726036-12FSD	115
7MT4TLKB	423	723624-4FS3PT	174	726036-12FSDDA	116
7.5 BAP	452	723624-4FSDA3PT	177	726036-4XSFSD3PT	236
722418-4FS3PT	174	723624-4FSQT	172	726036-4XSFSDDA3PT	239
722418-4FSQT	172	723624-4XFFS	281	727210-12FD	112
722418-4XS3PT	230	723624-4XSFS3PT	232	727212-12FD	112
722418-4XSFS3PT	233	723624-4XSFSDA3PT	235	727212-4FDQT	166
722424-4FS3PT	174	723624-4XSFSQT	230	727212-4XSFDQT	224
722424-4FSDA3PT	177	723630-4FS3PT	174	727216-12FD	112
722424-4XSFS3PT	232	723630-4XSFS3PT	232	727218-12FSD	115
722424-4XSFDA3PT	235	723636-4FS3PT	174	727218-4XFFSD	283
722430-4FS3PT	174	723636-4XSFS3PT	232	727218-4XSFDQT	224
722430-4XSFDA3PT	235	723636-4XSFSDA3PT	235	727218-4XSFSD3PT	236
722436-4XSFDA3PT	235	723718-4FS	170	727220-12FD	112
722518-4FS	170	723718-4XSFS	228	727224-12FD	112
722518-4XSFS	228	723718-4XSS6FS	228	727224-12FSD	115
722518-4XSS6FS	228	723724-4FS	170	727224-12FSDDA	116
722524-4FS	170	723724-4XSFS	228	727224-4FDQT	166
722524-4XSFS	228	723724-4XSS6FS	228	727224-4XSFDQT	224

Index

Catalog Number	Page Number	Catalog Number	Page Number	Catalog Number	Page Number
727224-4XSFS3PT	236	863.5-12CHC	93	866 RTSC NK	57
727224-4XSFSDDA3PT	239	863.5-12CHQRC	99	866 SC	52
746012-4FD	164	863.5-12LC	91	866 SC NK	52
746012-4FD3PT	168	863.5-12SC	95	866 SCGV	52
746012-4XSFD	222	863.5-4CHC	139	866 SCGV NK	52
746012-4XSFD3PT	226	863.5-4LC	137	866-1	65
746012-4XSS6FD	222	863.5-4QT	141	866-12CHC	93
746012-4XSS6FD3PT	226	863.5-4XSQT	203	866-12CHSC	97
747212-4FD	164	864-FTC	103	866-12SC	95
747212-4FD3PT	168	864 HC	54	866-4QT	141
747212-4XSFD	222	864 HC NK	54	866-4XSQT	203
747212-4XSFD3PT	226	864 RHC	72	88 C	11
747212-4XSS6FD	222	864 RTHC	58	88 E	11
747212-4XSS6FD3PT	226	864 RTHC NK	58	88 E NK	11
747224-4FD	164	864 RTSC	57	88 EGV	11
747224-4FD3PT	168	864 RTSC NK	57	88 EGV NK	11
747224-4XSFD	222	864 SC	51	88 FH	12, 18
747224-4XSFD3PT	226	864 SC NK	51	88 FL IN	13
747224-4XSS6FD	222	864 SCG	61	88 FL OUT	13
747224-4XSS6FD3PT	226	864 SCGV	51	88 FL SIDE	13
763-4XFSC	273	864 SCGV NK	51	88 FTF	11, 17
8TB	441	864-SDF	265	88 FTFGV	11
8TS	440	864-SDFQR	267	88 GF	11
82AMK	159, 217	864-SDFQRCC	269	88 GFGV	11
832-4XFSC	271	864 WPSC	63	88 HSC	17
84AMK	159, 217	864-1	65	88 HSCA	17
84033	455	864-12CHSC	97	88 HSCU	17
84034	455	864-4QT	141	88 HSE	17
84035	455	864-4XACHC	201	88 HSE NK	17
844-4XFSC	271	864-4XALC	197	88 HSF	18
86 SCF	53	864-4XFCHQRC	261	88 HSL IN	19
86TB	441	864-4XFCHQRCW	263	88 HSL OUT	19
86TS	440	864-4XFCHSC	259	88 HSL SIDE	19
8611214-12FS	131	864-4XFLC	257	88 HST	20
8615014-12FS	132	864-4XSCHC	199	88 HSX	20
8618714-12FS	133	864-4XSLC	195	88 L COMBO	13
863 SC	51	864-4XSQT	203	88 L COMBOGV	13
863 SC NK	51	864-4XSS6CHC	199	88 L SIDE	13
863 SCGV	51	864-4XSS6LC	195	88 L SWEEP	13
863 SCGV NK	51	866 RTSC	57	88 L SWEEPGV	13

Catalog Number	Page Number	Catalog Number	Page Number	Catalog Number	Page Number
88 LTX	12	88-12FTF	33	8812 GRTGV NK	43
88 LTXGV	12	88-12LAFW	30	8812 HS	16
88 SCF	53	88-12LAHM	30	8812 HS NK	16
88 SCS	53	88-12LAHW	30	8812-12FW	33
88 T	14	88-12LASD	30	8812-12LW	27
88 TCF	80	88-12LBC	31	8812-12WT	45
88 TCS	80	88-12LBH	31	8812-3RHS NK	22
88 TGV	14	88-12LC	30	8812-3RAHS NK	22
88 WB	413	88-12LCF	27	88120 G	9
88 X	14	88-12LCP	31	88120 G NK	9
88 XGV	14	88-12LDH	31	88120 GGV	9
88-3RAHSC	22	88-12LE15A	29	88120 GGV NK	9
88-3RAHSE NK	23	88-12LE45A	29	88120 GRT NK	43
88-3RAHSF	23	88-12LE45B	29	88120 GRTGV NK	43
88-3RAHSL SIDE	23	88-12LE45C	29	88120 HS	16
88-3RAHST	23	88-12LE9A	28	88120 HS NK	16
88-3RBKA	24	88-12LE9AC	28	88120-12FW	33
88-3RASCX	24	88-12LE9B	28	88120-12LW	27
88-3RHSC	22	88-12LE9C	28	88120-3RHS NK	22
88-3RHSE NK	23	88-12LE9TC	28	88120-3RAHS NK	22
88-3RHSF	23	88-12LE9TCC	28	8818 G	9
88-3RHSL SIDE	23	88-12LJB	30	8818 G NK	9
88-3RHST	23	88-12LN1	28	8818 GGV NK	9
88-3RSCX	24	88-12LN2	28	8818 GRT	43
88-12BH	35	88-12LN3	28	8818 GRT NK	43
88-12BK	12, 18, 24, 31, 34	88-12LSP	31	8824 G	9
88-12DH	35	88-12LTA	29	8824 G NK	9
88-12FBC	34	88-12LTC	29	8824 GGV	9
88-12FC	35	88-12LTF	27	8824 GGV NK	9
88-12FCF	34	88-12LTSC	27	8824 GRT	43
88-12FCP	34	88-12LTSCC	27	8824 GRT NK	43
88-12FE45	35	8804-12LW	27	8824 GRTGV NK	43
88-12FE9	35	8806-12LW	27	8824 GTGV NK	41
88-12FFF	35	881010 FR	12, 17	8824 HS	16
88-12FGK	34	8812 G	9	8824 HS NK	16
88-12FN1	34	8812 G NK	9	8824-12FW	33
88-12FN2	34	8812 GGV	9	8824-12LW	27
88-12FN3	34	8812 GGV NK	9	8824-12WT	45
88-12FN6	34	8812 GRT	43	8836 G	9
88-12FT	35	8812 GRT NK	43	8836 G NK	9

Index

Catalog Number	Page Number	Catalog Number	Page Number	Catalog Number	Page Number
8836 GGV	9	884-4XFCHSC	259	886-4QT	141
8836 GGV NK	9	884-4XFLC	257	8860 G	9
8836 GRT	43	884-4XSCHC	199	8860 G NK	9
8836 GRT NK	43	884-4XSLC	195	8860 GGV	9
8836 GRTGV NK	43	884-4XSS6CHC	199	8860 GGV NK	9
8836 GTGV NK	41	884-4XSS6LC	195	8860 GRT	43
8836 HS	16	8845 HSL COMBO	19	8860 GRT NK	43
8836 HS NK	16	8845 HSL SIDE	19	8860 GRTGV NK	43
8836-12FW	33	8845 L COMBO	14	8860 GTGV NK	41
8836-12LW	27	8845 L COMBOGV	14	8860 HS	16
8836-12WT	45	8845 L SIDE	14	8860 HS NK	16
884 HC	54	8848 G	9	8860-12FW	33
884 HC NK	54	8848 G NK	9	8860-12LW	27
884 RHC	72	8848 GGV	9	8860-12WT	45
884 RTC	81	8848 GGV NK	9	8860-3RHS NK	22
884 RTHC	58	8848 GRT	43	8860-3RAHS NK	22
884 RTHC NK	58	8848 GRT NK	43	8866-12FRC	34
884 RTSC	57	8848 GRTGV NK	43	8866-12FRE	34
884 RTSC NK	57	8848 GTGV NK	41	8866-12LR	30
884 RTSCGV	57	8848 HS	16	8872 G	9
884 RTSCGV NK	57	8848 HS NK	16	8872 G NK	9
884 SC	51	8848-12FW	33	8872 GGV	9
884 SC NK	51	8848-12LW	27	8872 GGV NK	9
884 SCG	61	8848-12WT	45	8872 GRT	43
884 SCGV	51	886 HC	54	8872 GRT NK	43
884 SCGV NK	51	886 HC NK	54	8872 GRTGV NK	43
884-SDF	265	886 RHC	72	8872 GTGV NK	41
884-SDFQR	267	886 RTSC	57	8872 HS	16
884-SDFQRCC	269	886 RTSC NK	57	8872 HS NK	16
884 TCF	80	886 RTSCGV	57	8872-12WT	45
884 TCS	80	886 RTSCGV NK	57	888 SC	52
884 WPSC	63	886 SC	52	888 SC NK	52
884-1	65	886 SC NK	52	888 SCGV	52
884-12CHC	93	886 SCG	61	888 SCGV NK	52
884-12CHSC	97	886 SCGV	52	8896 GRT NK	43
884-12LC	91	886 SCGV NK	52	8896 GRTGV NK	43
884-12SC	95	886 WPSC	63	902420-4FS3PT	174
884-4QT	141	886-1	65	902420-4XSFS3PT	232
884-4XALC	197	886-12CHC	93	903620-4FS3PT	174
884-4XFCHQRC	261	886-12CHSC	97	903620-4XSFS3PT	232

Catalog Number	Page Number	Catalog Number	Page Number	Catalog Number	Page Number
903624-4FS3PT	174	AC-1424P	366	AC-20C30SS	354
903624-4FSDA3PT	177	AC-1424SWP	367	AC-2424BASE	450
903624-4XSFS3PT	232	AC-1424T	362	AC-44ACOL	450
903624-4XSFSDA3PT	235	AC-1424W	362	AC-44COL	450
903636-4FS3PT	174	AC-1436B	362, 366, 367	AC-66ACOL	450
903636-4FSDA3PT	177	AC-1436HP	366	AC-66COL	450
903636-4XFFS	281	AC-1436P	366	AC-8C12	354
903636-4XSFS3PT	232	AC-1436SWP	367	AC-8C12SS	354
903636-4XSFSDA3PT	235	AC-1436T	362	AC-8C16	354
904820-12FSD	115	AC-1436W	362	AC-8C16SS	354
904820-4XSFS3PT	236	AC-1448B	362, 366	AC-8C20	354
907220-12FSD	115	AC-1448HP	366	AC-8C20SS	354
907220-4XSFS3PT	236	AC-1448P	366	AC-8C8	354
907224-12FSD	115	AC-1448T	362	AC-8C8SS	354
907224-12FSDDA	116	AC-1448W	362	AC-924B	356
907224-4XSFS3PT	236	AC-1460B	362, 366	AC-936B	356
907224-4XSFSDDA3PT	239	AC-1460HP	366	AF6018SP	120, 183, 245
907236-12FSD	115	AC-1460P	366	AF6024HP	117, 180, 242
907236-4XSFS3PT	236	AC-1460T	362	AF6024HSWP	121,122,184,185,246,247
932-4XFSC	271	AC-1460W	362	AF6024P	117, 180, 242
963-4XFSC	273	AC-1472B	362, 366	AF6024SWP	121,122,184,185,246,247
AC-1224B	358	AC-1472P	366	AF6036HP	117, 180, 242
AC-1224T	358	AC-1472T	362	AF6036HSWP	121, 184, 246
AC-1224W	358	AC-1472W	362	AF6036P	117, 180, 242
AC-1236B	358	AC-16C16	354	AF6036SWP	121, 184, 246
AC-1236T	358	AC-16C16SS	354	AF6048HP	119, 182, 244
AC-1236W	358	AC-16C20	354	AF6048P	118, 181, 243
AC-1248B	358	AC-16C20SS	354	AF6060P	118, 181, 243
AC-1248T	358	AC-16C24	354	AF60CPS	120, 183, 245
AC-1248W	358	AC-16C24SS	354	AF7218SP	120, 183, 245
AC-12C12	354	AC-16C30	354	AF7224HP	117, 180, 242
AC-12C12SS	354	AC-16C30SS	354	AF7224HSWP	121,122,184,185,246,247
AC-12C16	354	AC-16C36	354	AF7224P	117, 180, 242
AC-12C16SS	354	AC-16C36SS	354	AF7224SP	120, 183, 245
AC-12C20	354	AC-1818BASE	450	AF7224SWP	121,122,184,185,246,247
AC-12C20SS	354	AC-20C20	354	AF7230HP	117, 180, 242
AC-12C24	354	AC-20C20SS	354	AF7230HSWP	121,122,184,185,246,247
AC-12C24SS	354	AC-20C24	354	AF7230P	117, 180, 242
AC-1424B	362, 366, 367	AC-20C24SS	354	AF7230SWP	121,122,184,185,246,247
AC-1424HP	366	AC-20C30	354	AF7236HP	117, 180, 242

Index

Catalog Number	Page Number	Catalog Number	Page Number	Catalog Number	Page Number
AF7236HSWP	121,122,184,185,246,247	AW108PP	409	AW2420-1P	408
AF7236P	117, 180, 242	AW1210P (AP, GP, SP)	290, 406	AW2420-1PP	410
AF7236SWP	121,122,184,185,246,247	AW1210PP	409	AW2424P (AP, GP, SP)	411
AF7248HP	119, 182, 244	AW1212P (AP, GP, SP)	290, 406	AW2424-1P	408
AF7248P	118, 181, 243	AW1212PP	409	AW2424-1PP	410
AF7260HP	119, 182, 244	AW126P	406	AW3016P (AP, GP, SP)	411
AF7260P	118, 181, 243	AW126PP	409	AW3020P (AP, GP, SP)	411
AF7272HP	119, 182, 244	AW1412P (AP, GP, SP)	290, 406	AW3020-1P	408
AF7272P	118, 181, 243	AW1412PP	409	AW3020-1PP	410
AF72CPS	120, 183, 245	AW147P (AP, GP, SP)	290	AW3024P (AP, GP, SP)	411
AF9018SP	120, 245	AW148P	406	AW3024-1P	408
AF9024HP	117, 242	AW148PP	409	AW3024-1PP	410
AF9024HSWP	121, 122, 246, 247	AW1610P	406	AW3030P (AP, GP, SP)	411
AF9024P	117, 242	AW1610PP	409	AW3030-1P	408
AF9024SP	120, 245	AW1612P (AP, GP, SP)	408	AW3030-1PP	410
AF9024SWP	121, 122, 246, 247	AW1612-1P	408	AW3624P (AP, GP, SP)	411
AF9036HP	117, 242	AW1612-1PP	410	AW3624-1P	408
AF9036HSWP	121, 122, 246, 247	AW1614P (AP, GP, SP)	290, 406	AW3624-1PP	410
AF9036P	117, 242	AW1614PP	409	AW3630P (AP, GP, SP)	411
AF9036SWP	121, 122, 246, 247	AW1616P (AP, GP, SP)	408	AW3630-1P	408
AF9048HP	119, 244	AW1616-1P	408	AW3630-1PP	410
AF9048P	118, 243	AW1616-1PP	410	AW3636P (SP)	411
AF9072HP	119, 244	AW1620-1P	406	AW4224-1P	408
AF9072P	118, 243	AW1620-1PP	408	AW4224-1PP	410
AF90CPS	120, 245	AW1816P (AP, GP, SP)	290	AW4224P	411
AFCBRKT3	123, 186, 248	AW2012P	408	AW4230P (AP, GP, SP)	411
AFCMH3	123, 186, 248, 368	AW2016P (AP, GP, SP)	290, 408	AW4236P (AP, GP, SP)	411
AFPSUP2	123, 186, 248	AW2016PJ (AP, SP)	290	AW4242P	411
AFSBRKT1	123, 186, 248, 368	AW2016-1P	408	AW4824P	411
AP-ABFD	452	AW2016-1PP	410	AW4830P (GP, SP)	411
AP-ABV	452	AW2020P (AP, GP, SP)	408	AW4836P (AP, GP, SP)	411
AP-CH	452	AW2020-1P	408	AW4842P (AP, GP, SP)	411
AP-GE	452	AW2020-1PP	410	AW4848P	411
AP-ITE	452	AW2024-1P	408	AW5442P	412
AP-SD	452	AW2024-1PP	410	AW6030P	411
AP-WAMT	452	AW2412P (AP, GP, SP)	290, 408	AW6036P (AP, GP, SP)	411
AP-WSM	452	AW2416P (AP, GP, SP)	408	AW6042P	411
AW1010P (AP, GP, SP)	406	AW2416-1P	408	AW6048P (AP, SP)	412
AW1010PP	409	AW2416-1PP	410	AW6060P (AP, SP)	412
AW108P (AP, GP, SP)	290, 406	AW2420P (AP, GP, SP)	411	AW64P (AP, GP, SP)	290, 406

Catalog Number	Page Number	Catalog Number	Page Number	Catalog Number	Page Number
AW64PP	409	BK615	438	BP84	436
AW66P (AP, GP, SP)	290, 406	BK618	438	BP86	436
AW66PP	409	BK624	438	BP88	436
AW7230P	411	BK630	438	BV4X	292
AW7236P	411	BK636	438	CARRY HANDLE	293
AW7260P (AP, SP)	412	BK648	438	CD604812-12FD	308
AW7272P (AP, SP)	412	BL02540.0-01-0003	446	CD606012-12FD	308
AW76P (AP, GP, SP)	290	BL02540.0-01	446	CD726012-12FD	308
AW86P (AP, GP, SP)	290, 406	BL02541.0-01-0003	446	CD727212-12FD	308
AW86PP	409	BL02541.0-01	446	CD727218-12FD	308
AW88P (AP, GP, SP)	290, 406	BL01350.0-00	448	CE6001	368, 443
AW88PP	409	BL01351.0-00	448	CT6005	368, 443
AW96P (AP, GP, SP)	290	BL01352.0-00	448	CTB3005	368, 443
AWF2420P (AP, SP)	290	BLGHV1000203	396	CTC2	368, 443
AWF2424P (AP, SP)	290	BLGHV1500203	396	CTE3001	368, 443
AWF3020P (AP, SP)	290	BLGHV2000203	397	DSC20228	300
AWF3024P (AP, SP)	290	BLGHV2500203	397	DSC20228SS4	300
AWF3622P (AP, SP)	290	BLGHV2501203	398	DSC20228SS6	300
AWF3630P (AP, SP)	290	BLGHV30A1203	398	DSC24228	300
AWF4836P (AP, SP)	291	BLGHV30A2203	398	DSC24228SS4	300
AWF6036P (AP, SP)	291	BLGHV30P1203	398	DSC24228SS6	300
AWF7221P (AP, SP)	291	BLGHV30P2203	398	DSC24268	300
AWF7224P (AP, SP)	291	BLGHV3000203	398	DSC24268SS4	300
AWF7233P (AP, SP)	291	BLKNP100F	389	DSC24268SS6	300
AWF7236P (AP, SP)	291	BLKNPA100F	390	DSC30268	300
AWF9036P (AP, SP)	291	BLKNP40FL	391	DSC30268SS4	300
BAEK115	447	BLKNP40FLV	391	DSC30268SS6	300
BAEK115NDH	447	BLKNP60FL	392	DSC36268	300
BAEKDF	447	BLKNP60FLV	392	DSC36268SS4	300
BD-PDHB	427	BLKNPA60FL	393	DSC36268SS6	300
BD-PKHB	428	BLKNPA60FLV	393	DSC363212	300
BD-PKHSS	428	BLVC	292	DSC363212SS4	300
BK412	438	BP23	436	DSC363212SS6	300
BK415	438	BP33	436	DSC36328	300
BK418	438	BP34	436	DSC36328SS4	300
BK424	438	BP43	436	DSC36328SS6	300
BK430	438	BP44	436	DSC423212	300
BK436	438	BP64	436	DSC423212SS4	300
BK448	438	BP66	436	DSC423212SS6	300
BK612	438	BP812	436	DSC423812	300

Index

Catalog Number	Page Number	Catalog Number	Page Number	Catalog Number	Page Number
DSC423812SS4	300	EFH150-120	402	ES-604824-4XS	241
DSC423812SS6	300	EFH200-120	402	ES-604824-4XSS6	241
DSC423816	300	EFH300-120	402	ES-606012-4	179
DSC423816SS4	300	EFH400-120	402	ES-606012-4XS	241
DSC423816SS6	300	EFHT550F-120	400	ES-606012-4XSS6	241
DSC483812	300	EFHT650F-120	400	ES-606016-4	179
DSC483812SS4	300	EH100	401	ES-606016-4XS	241
DSC483812SS6	300	EH15	401	ES-606016-4XSS6	241
DSC483816	300	EH150	401	ES-606020-4	179
DSC483816SS4	300	EH30	401	ES-606020-4XS	241
DSC483816SS6	300	EH45	401	ES-606020-4XSS6	241
DSC603812	300	EH60	401	ES-606024-4	179
DSC603812SS4	300	EH75	401	ES-606024-4XS	241
DSC603812SS6	300	EHTC120-F	403	ES-606024-4XSS6	241
DSC603816	300	ELMS25-120	445	ES-72RMA-L	189, 251
DSC603816SS4	300	ELS25-120	445	ES-72RMA-U	189, 251
DSC603816SS6	300	ENCAP2K	294	ES-72SORMF	190, 252
DK12A	437	ENCAP4K	294	ES-726012-4	179
DK12SS	437	ER1	449	ES-726012-4XS	241
DK16A	437	ER2	449	ES-726012-4XSS6	241
DK16SS	437	ER3	449	ES-726016-4	179
DK20A	437	ER4	449	ES-726016-4XS	241
DK20SS	437	ER5	449	ES-726016-4XSS6	241
DK24A	437	ES2	433	ES-726020-4	179
DK24SS	437	ES-48RMA-L	189, 251	ES-726020-4XS	241
DK30A	437	ES-48RMA-U	189, 251	ES-726020-4XSS6	241
DK30SS	437	ES-48SORMF	190, 252	ES-726024-4	179
DK36A	437	ES-60RMA-L	189, 251	ES-726024-4XS	241
DK36SS	437	ES-60RMA-U	189, 251	ES-726024-4XSS6	241
DSTOPK	418	ES-60SORMF	190, 252	ES-727212-4	179
DV	292	ES-604812-4	179	ES-727212-4XS	241
DV4X	292	ES-604812-4XS	241	ES-727212-4XSS6	241
E2-MA-1032-PHMS-100	159, 190, 217, 252	ES-604812-4XSS6	241	ES-727216-4	179
E2-MA-1224-PHMS-100	159, 190, 217, 252	ES-604816-4	179	ES-727216-4XS	241
E2-MA-CN-1032-100	159, 190, 217, 252	ES-604816-4XS	241	ES-727216-4XSS6	241
E2-MA-CN-1224-100	159, 190, 217, 252	ES-604816-4XSS6	241	ES-727220-4	179
E2-MA-CN-M6-100	159, 190, 217, 252	ES-604820-4	179	ES-727220-4XS	241
E2-MA-M6-PHMS-100	159, 190, 217, 252	ES-604820-4XS	241	ES-727220-4XSS6	241
ECMD1	439	ES-604820-4XSS6	241	ES-727224-4	179
EFH100-120	402	ES-604824-4	179	ES-727224-4XS	241

Catalog Number	Page Number	Catalog Number	Page Number	Catalog Number	Page Number
ES-727224-4XSS6	241	FD60378-12	297	FLWK52	417
ES-90RMA-L	189, 251	FD604912-12FD	308	FLWK96	417
ES-90RMA-U	189, 251	FD604918-12FD	308	FSHELF12	432
ES-90SORMF	190, 252	FD606112-12FD	308	FSHELF18	432
ES-SMFK6	253	FD606118-12FD	308	FT6005	368, 443
ESTNC-F	403	FD722718-12FS	321	FTB3005	368, 443
ESTNO-F	403	FD723318-12FS	321	FTE3001	368, 443
FAS-412	435	FD723918-12FS	321	GLK2	454
FC412SS	431	FD725318-12FS	322	GP610	432
FD202110-12	297	FD726112-12FD	308	GP618	432
FD20218-12	297	FD726118-12FD	308	GS416	454
FD242110-12	297	FD726518-12FS	322	GS48	454
FD24218-12	297	FD727312-12FD	308	GS816	454
FD242510-12	297	FD727318-12FD	308	GS88	454
FD24258-12	297	FD727324-12FD	308	HWK1212	418
FD302110-12	297	FD727718-12FS	322	HWK1612	418
FD30218-12	297	FD727724-12FS	322	HWK2016	418
FD302510-12	297	FD729918-12FS	323	HWK2020	418
FD302512-12	297	FD8411718-12FS	323	HWK2420	418
FD30258-12	297	FD8415718-12FS	324	HWK3024	418
FD362510-12	297	FD8419618-12FS	325	J12CK2	430
FD36258-12	297	FD843918-12FS	321	J4XCK2	430
FD363110-12	297	FD847718-12FS	322	JICSPK	414
FD363112-12	297	FD9011724-12FS	323	KNA4C1DP15L	375
FD363116-12	297	FD903920-12FS	321	KNA4C1DP15LV	375
FD36318-12	297	FD903924-12FS	321	KNA4C11SP43L	385
FD423110-12	297	FD907720-12FS	322	KNA4C11SP43LV	385
FD423112-12	297	FD907724-12FS	322	KNA4C3DP21L	376
FD42318-12	297	FE6001	368, 444	KNA4C3DP21LV	376
FD423710-12	297	FLT33	435	KA4C4HTL	386
FD423712-12	297	FLT34	435	KA4C4.0H5R	387
FD42378-12	297	FLT43	435	KNA4C4SP28L	383
FD483710-12	297	FLT44	435	KNA4C4SP28LV	383
FD483712-12	297	FLT64	435	KNA4C5DP33L	377
FD483716-12	297	FLT66	435	KNA4C5DP33LV	377
FD48378-12	297	FLT812	435	KNA4C6SP36L	384
FD603710-12	297	FLT84	435	KNA4C6SP36LV	384
FD603712-12	297	FLT86	435	KNA4C8SP36L	384
FD603712A-12	297	FLT88	435	KNA4C8SP36LV	384
FD603716-12	297	FLWK133	417	KNA4C9DP47L	378

Index

Catalog Number	Page Number	Catalog Number	Page Number	Catalog Number	Page Number
KNA4C9DP47LV	378	M843824-12FS	127	N2016P	407
KP40	388	M847718-12FS	128	N2020P	407
KP60	388	M847724-12FS	128	N2420P	407
KP100	388	MFD723918-12FS	328	N2424P	407
K2NA6C14DP50L	379	MFD727818-12FS	329	N3024P	407
K2NA6C14DP50LV	379	MFD843918-12FS	328	N3030P	407
K3NA4C3DP24L	380	MFD843924-12FS	328	N3624P	407
K3NA4C3DP24LV	380	MFD847818-12FS	329	N3630P	407
K3NA4C5DP38L	381	MFD847824-12FS	329	N3636P	407
K3NA4C5DP38LV	381	MFK10	433	N4230P	407
K3NA4C7DP52L	382	MFK10XS	433	N4236P	407
K3NA4C7DP52LV	382	MFK12	191, 433	N4830P	407
K3NA4C9DP52L	382	MFK12XS	253, 433	N4836P	407
K3NA4C9DP52LV	382	MFK16	191, 433	N4XCK2	431
L23	430	MFK16XS	253, 433	N6036P	407
L23SS	430	MFK18	191, 253, 433	N624-20	455
LPKF	293	MFK18XS	433	N627-20	455
LPK23	434	MFK20	191, 433	N66P	406
LPK33	434	MFK20XS	253, 433	N66PP	409
LPK34	434	MFK24	191, 433	N86P	406
LPK43	434	MFK24XS	253, 433	N86PP	409
LPK44	434	MFK8	434	N88P	406
LPK64	434	MFK8XS	434	N88PP	409
LPK66	434	MTGFTKITS	294	NSPK	415
LPK812	434	N1010P	406	PB1 (SS, SS6)	343
LPK84	434	N1010PP	409	PB12 (SS, SS6)	343
LPK86	434	N108P	406	PB12B	347
LPK88	434	N108PP	409	PB16	343
M7218-12FBK	129, 330	N1210P	406	PB16B	347
M7218-12FEK	129, 330	N1210PP	409	PB1B	347
M7218-12FGK	129, 330	N1212P	406	PB1M (SS)	343
M723818-12FS	127	N1212PP	409	PB2 (SS, SS6)	343
M727718-12FS	128	N12CK2	431	PB2B	347
M8418-12FBK	129, 330	N1412P	406	PB2M (SS)	343
M8418-12FEK	129, 330	N1412PP	409	PB20	343
M8418-12FGK	129, 330	N1612P	407	PB20B	347
M8424-12FBK	129, 330	N1616P	407	PB25	343
M8424-12FEK	129, 330	N1818P	407	PB25B	347
M8424-12FGK	129, 330	N2012P	406	PB3	343
M843818-12FS	127	N2012PP	409	PB30B	347

Catalog Number	Page Number	Catalog Number	Page Number	Catalog Number	Page Number
PB4	343	PBX36	345	PWK53 (SS)	417
PB4B	347	PBX4	345	PWK95 (SS)	417
PB4F	289	PBX6	345	S050 (SS)	436
PB6 (SS, SS6)	343	PBX9	345	S050FG	293
PB6B	347	PCK4	154, 212	S075 (SS)	436
PB6F	289	PLH	416	S075FG	293
PB9 (SS, SS6)	343	PLKJICSS6	429	S100 (SS)	436
PB9B	347	PS3	416	S100FG	293
PB9F	289	PS9	416	S125 (SS)	436
PBC12	351	PV1F	285	S125FG	293
PBC16	351	PV1MF	287	S150 (SS)	436
PBC2	351	PV10	343	S150FG	293
PBC20	351	PV2F	285	S200 (SS)	436
PBC25	351	PV2MF	287	S200FG	293
PBC3	351	PV3 (SS, SS6)	343	S250 (SS)	436
PBC4	351	PV3F	285	S250FG	293
PBC6	351	PV3MF	287	S300 (SS)	436
PBC8	351	PV3M (SS)	343	S300FG	293
PBC9	351	PV4 (SS, SS6)	343	S350 (SS)	436
PBCS12	351	PV4F	285	S350FG	293
PBCS3	351	PV4MF	287	S400 (SS)	436
PBCS4	351	PV4M (SS)	343	S400FG	293
PBP12	349	PV5	343	SEALC	455
PBP16	349	PV5F	285	SEALS	455
PBP20	349	PV5MF	287	SEALWN	455
PBP25	349	PV6	343	SPB (SS)	436
PBP30	349	PV6F	285	SPBFG	293
PBP36	349	PV6MF	287	SPBG (SS)	436
PBP4	349	PV8	343	SPBGFG	293
PBP42	349	PVX1 (SS)	345	SS2PK	294
PBP6	349	PVX2 (SS)	345	SS4PK	294
PBP9	349	PVX3 (SS)	345	T1EFL	419
PBS3B	347	PVX4 (SS)	345	T1KLBM	422
PBS4B	347	PWK133 (SS)	417	T12KLB	422
PBX10	345	PWK138 (SS)	417	T4DLBM	422
PBX12	345	PWK1711 (SS)	417	T4KLTHB	423
PBX16	345	PWK175 (SS)	417	T4KLWNB	422
PBX20	345	PWK2315 (SS)	417	T4KLWNB	422
PBX25	345	PWK2919 (SS)	417	T4LDLB	422
PBX30	345	PWK3523 (SS)	417	T4PKHB	427

Index

Index

Catalog Number	Page Number	Catalog Number	Page Number	Catalog Number	Page Number
T4PLWNB	422				
T4THB	423				
T4WNB	422				
T4WNBM	422				
T4XDLSSM	423				
T4XDLSS	423				
T4XPHSS	428				
TN228-20	455				
TSK	445				
WMHK-01	158, 216, 425				
WMHK-02	158, 216, 425				
WMHK-03	158, 216, 425				
WMHK-04	158, 216, 425				
WMHNL	158, 216, 425				
WMHPTO	158, 216, 425				
WMK	154				
WMKSS6	212				

NOTICE

Eaton reserves the right to change the specifications, materials, equipment, prices or the availability of products at any time without prior notice. While every effort has been made to assure the accuracy of information contained in this catalog at the time of publication, we are not responsible for inaccuracies resulting from undetected errors or omissions.

U.S. Customer Service Center is staffed Monday through Friday from 7 a.m. to 5:00 p.m. Central Standard Time.

For more information, visit www.cooperbline.com/enclosures.

**Eaton's B-Line Business
United States**
509 West Monroe Street
Highland, IL 62249
United States
Phone: (800) 851-7415
www.cooperbline.com/contactus

**Eaton's B-Line Business
Canada**
5925 McLaughlin Road
Mississauga, ON L5R 1B8
Canada
Phone: (800) 569-3660
www.cooperbline.com/contactca

Eaton
1000 Eaton Boulevard
Cleveland, OH 44122
United States
Eaton.com

B-Line Division
509 West Monroe Street
Highland, IL 62249
Phone: 800-851-7415
Fax: 618-654-1917
www.eaton.com/b-lineseries

© 2017 Eaton
All Rights Reserved
Printed in USA
Publication No. CA304001EN
May 2017 15M (ENC-17)

Eaton is a registered trademark
All other trademarks are property
of their respective owners.

