

## B501 - Light Weight U-Bolt with 2 Hex Nuts

**Size Range:** 1/2" (15mm) thru 8" (200mm) pipe

**Material:** Carbon Steel

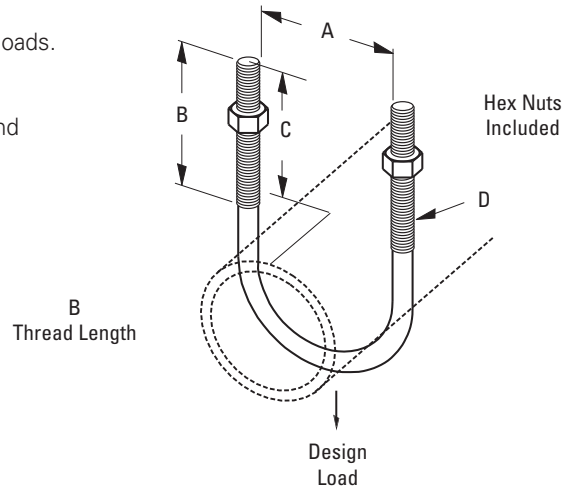
**Function:** Recommended for supporting or anchoring light pipe loads.

**Maximum Temperature:** 650°F (343°C)

**Finish:** Plain. Contact customer service for alternative finishes and materials.

**Order By:** Part number and finish.

**Note:** When furnished in Hot-Dip Galvanized finish, oversize tapped hex nuts must be used.



Part No.	A		B		C		D	Design Load		Approx. Wt./100	
	in.	(mm)	in.	(mm)	in.	(mm)		Lbs.	(kN)	Lbs.	(kg)
B501-1/2	15/16"	(23.8)	13/4"	(44.4)	11/2"	(38.1)	5/16"-18	600	(2.67)	12	(5.4)
B501-3/4	1 1/8"	(28.6)	13/4"	(44.4)	1 5/8"	(41.3)	5/16"-18	600	(2.67)	13	(5.9)
B501-1	1 3/8"	(29.9)	1 7/8"	(47.6)	1 5/8"	(41.3)	5/16"-18	900	(4.00)	14	(6.3)
B501-1 1/4	1 23/32"	(43.6)	1 3/4"	(44.4)	1 15/32"	(37.3)	5/16"-18	900	(4.00)	15	(6.8)
B501-1 1/2	2"	(50.8)	1 3/4"	(44.4)	1 7/16"	(36.5)	5/16"-18	900	(4.00)	16	(7.2)
B501-2	2 7/16"	(61.9)	2 1/16"	(52.4)	1 7/8"	(47.6)	3/8"-16	1200	(5.34)	27	(12.2)
B501-2 1/2	2 15/16"	(74.6)	2 1/16"	(52.4)	1 13/16"	(46.0)	3/8"-16	1200	(5.34)	32	(14.5)
B501-3	3 9/16"	(90.5)	2"	(50.8)	1 3/4"	(44.4)	3/8"-16	1800	(8.00)	36	(16.3)
B501-3 1/2	4 3/32"	(94.6)	2"	(50.8)	1 23/32"	(43.6)	3/8"-16	1800	(8.00)	38	(17.2)
B501-4	4 19/32"	(116.7)	2 1/4"	(57.1)	1 21/32"	(50.0)	3/8"-16	1800	(8.00)	42	(19.0)
B501-5	5 21/32"	(143.6)	2 1/4"	(57.1)	2"	(50.8)	1/2"-13	2400	(10.70)	92	(41.7)
B501-6	6 3/4"	(171.4)	2 5/8"	(66.7)	2 3/8"	(60.3)	5/8"-11	2400	(10.70)	176	(79.8)
B501-8	8 3/4"	(222.2)	2 5/8"	(66.7)	2 3/8"	(60.3)	5/8"-11	2400	(10.70)	191	(86.6)

All dimensions in charts and on drawings are in inches. Dimensions shown in parentheses are in millimeters unless otherwise specified.

# Threaded Accessories

## B3188 - Standard U-Bolt with 4 Hex Nuts

## B3188C - Standard Plastic Coated U-Bolt

**Size Range:** 1/2" (15mm) thru 30" (900mm) pipe

**Material:** Steel

**Function:** Recommended for support, anchor or guide of pipe.

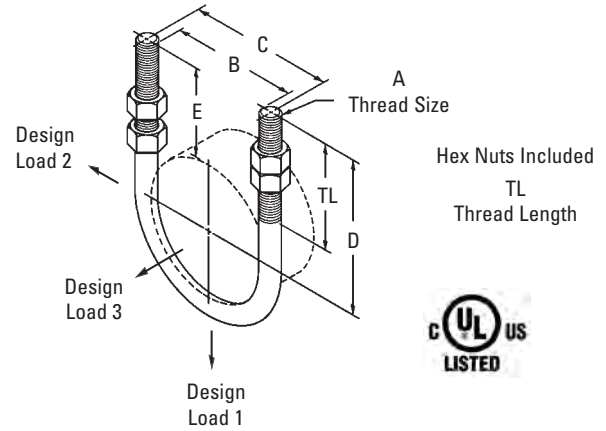
**Approvals:** Underwriters Laboratories Listed 3/4" (20mm) thru 12" (300mm).  
Conforms to Federal Specification WW-H-171E & A-A-1192A, Type 24  
and Manufacturers Standardization Society ANSI/MSS SP-69 & SP-58,  
Type 24.

**Maximum Temperature:** 750°F (399°C)

**Finish:** Plain. Contact customer service for alternative finishes and materials.

**Order By:** Part number and finish. U-bolt can be furnished with longer tangents "D" or with longer threads "TL". Consult factory.

**Note:** When furnished in Hot-Dip Galvanized finish, oversize tapped hex nuts must be used.  
B3188NS - Non-standard (NS) U-bolts are available upon request. Specify dimensions other than standard. B3188DI - For ductile iron pipe.



B3188



B3188C  
Plastic Coated

Part No.	Pipe Size		Thread Size	Thread Length TL		B	
	in.	(mm)		in.	(mm)	in.	(mm)
B3188-1/2	1/2"	(15)	1/4"-20	2 1/8"	(54.0)	15/16"	(23.8)
B3188-3/4	3/4"	(20)	1/4"-20	2 1/8"	(54.0)	1 1/8"	(28.6)
B3188-1	1"	(25)	1/4"-20	2 1/8"	(54.0)	1 3/8"	(34.9)
B3188-1 1/4	1 1/4"	(32)	3/8"-16	2 1/8"	(54.0)	1 11/16"	(42.9)
B3188-1 1/2	1 1/2"	(40)	3/8"-16	2 1/2"	(63.5)	2"	(50.8)
B3188-2	2"	(50)	3/8"-16	2 1/2"	(63.5)	2 7/16"	(61.9)
B3188-2 1/2	2 1/2"	(65)	1/2"-13	3"	(76.2)	2 15/16"	(74.6)
B3188-3	3"	(80)	1/2"-13	3"	(76.2)	3 9/16"	(90.5)
B3188-3 1/2	3 1/2"	(90)	1/2"-13	3"	(76.2)	4 1/16"	(103.2)
B3188-4	4"	(100)	1/2"-13	3"	(76.2)	4 9/16"	(115.9)
B3188-5	5"	(125)	1/2"-13	3"	(76.2)	5 21/32"	(143.6)
B3188-6	6"	(150)	5/8"-11	3 3/4"	(95.2)	6 3/4"	(171.4)
B3188-8	8"	(200)	5/8"-11	3 3/4"	(95.2)	8 3/4"	(222.2)
B3188-10	10"	(250)	3/4"-10	4"	(101.6)	10 7/8"	(276.2)
B3188-12	12"	(300)	7/8"-9	4 1/4"	(107.9)	12 7/8"	(327.0)
B3188-14	14"	(350)	7/8"-9	4 1/4"	(107.9)	14 1/8"	(358.8)
B3188-16	16"	(400)	7/8"-9	4 1/4"	(107.9)	16 1/8"	(409.6)
B3188-18	18"	(450)	1"-8	4 3/4"	(120.6)	18 1/8"	(460.4)
B3188-20	20"	(500)	1"-8	4 3/4"	(120.6)	20 1/8"	(511.2)
B3188-24	24"	(600)	1"-8	4 3/4"	(120.6)	24 1/8"	(612.8)
B3188-30	30"	(750)	1"-8	4 3/4"	(120.6)	30 1/8"	(765.2)

All dimensions in charts and on drawings are in inches. Dimensions shown in parentheses are in millimeters unless otherwise specified.

## B3188 - Standard U-Bolt with 4 Hex Nuts cont.

Part No.	C		Tangent D		E		Approx. Wt./100	
	in.	(mm)	in.	(mm)	in.	(mm)	Lbs.	(kg)
B3188-1/2	1 <sup>3</sup> / <sub>16</sub> "	(30.2)	2 <sup>3</sup> / <sub>4</sub> "	(69.8)	2 <sup>5</sup> / <sub>16</sub> "	(58.7)	10	(4.5)
B3188-3/4	1 <sup>3</sup> / <sub>8</sub> "	(34.9)	2 <sup>3</sup> / <sub>4</sub> "	(69.8)	2 <sup>7</sup> / <sub>32</sub> "	(56.3)	11	(5.0)
B3188-1	1 <sup>5</sup> / <sub>8</sub> "	(41.3)	2 <sup>3</sup> / <sub>4</sub> "	(69.8)	2 <sup>3</sup> / <sub>32</sub> "	(53.2)	11	(5.0)
B3188-1 <sup>1</sup> / <sub>4</sub>	2 <sup>3</sup> / <sub>32</sub> "	(53.2)	2 <sup>7</sup> / <sub>8</sub> "	(73.0)	2 <sup>1</sup> / <sub>32</sub> "	(51.6)	28	(12.7)
B3188-1 <sup>1</sup> / <sub>2</sub>	2 <sup>3</sup> / <sub>8</sub> "	(60.3)	3"	(76.2)	2 <sup>1</sup> / <sub>16</sub> "	(52.4)	29	(13.1)
B3188-2	2 <sup>13</sup> / <sub>16</sub> "	(71.4)	3 <sup>1</sup> / <sub>4</sub> "	(82.5)	2 <sup>1</sup> / <sub>16</sub> "	(52.4)	31	(14.0)
B3188-2 <sup>1</sup> / <sub>2</sub>	3 <sup>7</sup> / <sub>16</sub> "	(87.3)	3 <sup>3</sup> / <sub>4</sub> "	(95.2)	2 <sup>5</sup> / <sub>16</sub> "	(58.7)	72	(32.6)
B3188-3	4 <sup>1</sup> / <sub>16</sub> "	(103.2)	4"	(101.6)	2 <sup>1</sup> / <sub>4</sub> "	(57.1)	79	(35.8)
B3188-3 <sup>1</sup> / <sub>2</sub>	4 <sup>9</sup> / <sub>16</sub> "	(115.9)	4 <sup>1</sup> / <sub>4</sub> "	(107.9)	2 <sup>1</sup> / <sub>4</sub> "	(57.1)	84	(38.1)
B3188-4	5 <sup>1</sup> / <sub>16</sub> "	(128.6)	4 <sup>1</sup> / <sub>2</sub> "	(114.3)	2 <sup>1</sup> / <sub>4</sub> "	(57.1)	94	(42.6)
B3188-5	6 <sup>5</sup> / <sub>32</sub> "	(156.3)	5"	(127.0)	2 <sup>7</sup> / <sub>32</sub> "	(56.3)	104	(47.2)
B3188-6	7 <sup>3</sup> / <sub>8</sub> "	(187.3)	6 <sup>1</sup> / <sub>8</sub> "	(155.6)	2 <sup>13</sup> / <sub>16</sub> "	(71.4)	203	(92.1)
B3188-8	9 <sup>3</sup> / <sub>8</sub> "	(238.1)	7 <sup>1</sup> / <sub>8</sub> "	(181.0)	2 <sup>13</sup> / <sub>16</sub> "	(71.4)	241	(109.3)
B3188-10	11 <sup>5</sup> / <sub>8</sub> "	(295.3)	8 <sup>3</sup> / <sub>8</sub> "	(212.7)	3"	(76.2)	412	(186.9)
B3188-12	13 <sup>3</sup> / <sub>4</sub> "	(349.2)	9 <sup>5</sup> / <sub>8</sub> "	(244.5)	3 <sup>1</sup> / <sub>4</sub> "	(82.5)	661	(299.8)
B3188-14	15"	(381.0)	10 <sup>1</sup> / <sub>4</sub> "	(260.3)	3 <sup>1</sup> / <sub>4</sub> "	(82.5)	707	(320.7)
B3188-16	17"	(431.8)	11 <sup>1</sup> / <sub>4</sub> "	(285.7)	3 <sup>1</sup> / <sub>4</sub> "	(82.5)	782	(354.7)
B3188-18	19 <sup>1</sup> / <sub>8</sub> "	(485.8)	12 <sup>5</sup> / <sub>8</sub> "	(320.7)	3 <sup>5</sup> / <sub>8</sub> "	(92.1)	1344	(609.6)
B3188-20	21 <sup>1</sup> / <sub>8</sub> "	(536.6)	13 <sup>5</sup> / <sub>8</sub> "	(346.1)	3 <sup>5</sup> / <sub>8</sub> "	(92.1)	1458	(661.3)
B3188-24	25 <sup>1</sup> / <sub>8</sub> "	(638.2)	15 <sup>5</sup> / <sub>8</sub> "	(396.9)	3 <sup>5</sup> / <sub>8</sub> "	(92.1)	1687	(765.2)
B3188-30	31 <sup>1</sup> / <sub>8</sub> "	(790.6)	18 <sup>5</sup> / <sub>8</sub> "	(473.1)	3 <sup>5</sup> / <sub>8</sub> "	(92.1)	2030	(920.8)

Part No.	Design Load 1		Design Load 2		Design Load 3	
	650°F (343°C) Lbs. (kN)	750°F (399°C) Lbs. (kN)	650°F (343°C) Lbs. (kN)	650°F (343°C) Lbs. (kN)	650°F (343°C) Lbs. (kN)	650°F (343°C) Lbs. (kN)
B3188-1/2	580 (2.58)	454 (2.02)	145 (0.64)	180 (0.80)		
B3188-3/4	580 (2.58)	454 (2.02)	145 (0.64)	300 (1.33)		
B3188-1	580 (2.58)	454 (2.02)	145 (0.64)	480 (2.13)		
B3188-1 <sup>1</sup> / <sub>4</sub>	1460 (6.49)	1144 (5.09)	365 (1.62)	600 (2.67)		
B3188-1 <sup>1</sup> / <sub>2</sub>	1460 (6.49)	1144 (5.09)	365 (1.62)	600 (2.67)		
B3188-2	1460 (6.49)	1144 (5.09)	365 (1.62)	720 (3.20)		
B3188-2 <sup>1</sup> / <sub>2</sub>	2700 (12.01)	2114 (9.40)	675 (3.00)	720 (3.20)		
B3188-3	2700 (12.01)	2114 (9.40)	675 (3.00)	900 (4.00)		
B3188-3 <sup>1</sup> / <sub>2</sub>	2700 (12.01)	2114 (9.40)	675 (3.00)	900 (4.00)		
B3188-4	2700 (12.01)	2114 (9.40)	675 (3.00)	900 (4.00)		
B3188-5	2700 (12.01)	2114 (9.40)	675 (3.00)	1080 (4.80)		
B3188-6	4320 (19.21)	3382 (15.04)	1080 (4.80)	1080 (4.80)		
B3188-8	4320 (19.21)	3382 (15.04)	1080 (4.80)	--	--	
B3188-10	6460 (28.73)	5060 (22.50)	1615 (7.18)	--	--	
B3188-12	9960 (44.30)	7016 (31.21)	2490 (11.07)	--	--	
B3188-14	9960 (44.30)	7016 (31.21)	2490 (11.07)	--	--	
B3188-16	9960 (44.30)	7016 (31.21)	2490 (11.07)	--	--	
B3188-18	11800 (52.48)	9240 (41.10)	--	--	--	--
B3188-20	11800 (52.48)	9240 (41.10)	--	--	--	--
B3188-24	11800 (52.48)	9240 (41.10)	--	--	--	--
B3188-30	11800 (52.48)	9240 (41.10)	--	--	--	--

All dimensions in charts and on drawings are in inches. Dimensions shown in parentheses are in millimeters unless otherwise specified.