

Pipe Hangers



Pipe hangers offered in this section are designed to support insulated or non-insulated pipe allowing for vertical adjustment and limited movement in the piping system.

Materials

Carbon Steel, Malleable Iron and AISI Type 304 & 316 Stainless Steel are used in the manufacturing of pipe hangers. Other materials are available.

Finishes

The standard finishes for mechanical supports are plain steel (oil coated) sometimes referred to as black, Electro-Galvanized Zinc (ASTM B633 SC3), Pre-Galvanized (ASTM A653 G90), Hot-Dip Galvanized After Fabrication (ASTM A123), Red Primer, Plastic Coating, DURA GREEN™, DURA-COPPER™ and other special coatings are available upon request.

Note: Due to the design of some products, (threads, connecting hardware, swivels, etc.) items may or may not be uniformly coated with special finishes i.e. Hot-Dip Galvanized, DURA GREEN, DURA-COPPER, PVC etc. In some cases, the hanger itself may be coated, however, the hardware may be supplied Electro-Plated, DURA-COPPER Painted or Stainless Steel. Consult customer service for availability.

Approvals (as noted)

Items in this section are Underwriters Laboratories Listed, Factory Mutual Approved, and comply with Federal Specification WW-H-171E & A-A-1192A or Manufacturers Standardization Society ANSI/MSS SP-69 & SP-58.

Seismic Restraints Catalog approved by the State of California Office of Statewide Health Planning and Development (OSHPD)

All dimensions in charts and on drawings are in inches. Dimensions shown in parentheses are in millimeters unless otherwise specified.

TOLCO™ Fig. 1CBS - Clevis Pipe Spacer

Size Range: Size 1" (25mm) thru 20" (500mm) clevis hanger

Material: Steel

Function: Used as a spacer at a seismic brace location to keep clevis hanger from collapsing during seismic event.

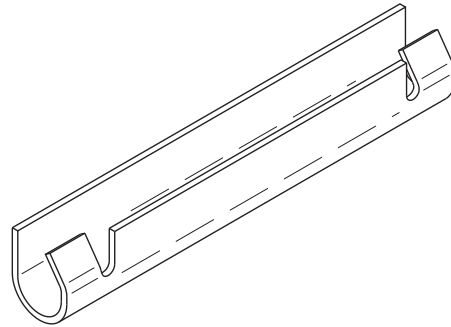
Approvals: Included in our Seismic Restraints Catalog approved by the State of California Office of Statewide Health Planning and Development (**OSHPD**). For additional load, spacing and placement information relating to OSHPD projects, please refer to the Seismic Restraint Systems Guidelines.

Installation Note: Fig. 1CBS fits easily over the cross bolt and attaches by pinching tabs down.

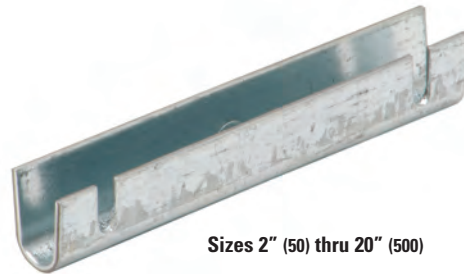
Finish: Pre-Galvanized. Contact customer service for alternative finishes and materials.

Order By: Part number and finish.

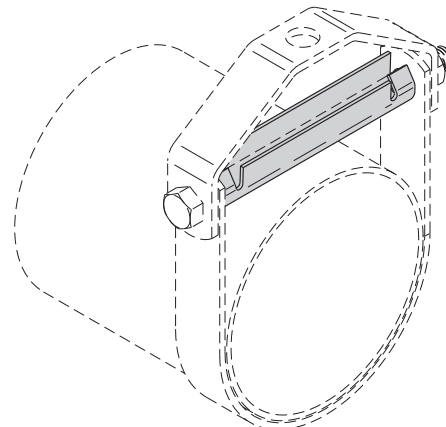
Component of State of California OSHPD Approved Seismic Restraints System



Sizes 1" (25) thru 1 1/2" (40)



Sizes 2" (50) thru 20" (500)



Part No.	Pipe Size		Approx. Wt./100	
	in.	(mm)	lbs.	(kg)
1CBS-1	1"	(25)	3.2	(1.4)
1CBS-1 1/4	1 1/4"	(32)	4.1	(1.8)
1CBS-1 1/2	1 1/2"	(40)	4.8	(2.2)
1CBS-2	2"	(50)	9.4	(4.2)
1CBS-2 1/2	2 1/2"	(65)	11.4	(5.2)
1CBS-3	3"	(75)	13.9	(6.8)
1CBS-3 1/2	3 1/2"	(90)	16.0	(7.2)
1CBS-4	4"	(100)	18.0	(8.1)
1CBS-5	5"	(125)	27.3	(12.4)
1CBS-6	6"	(150)	32.5	(14.7)
1CBS-8	8"	(200)	42.5	(19.2)
1CBS-10	10"	(250)	72.7	(32.9)
1CBS-12	12"	(300)	86.3	(39.1)
1CBS-14	14"	(350)	157.6	(71.5)
1CBS-16	16"	(400)	183.7	(83.3)
1CBS-18	18"	(450)	224.6	(101.9)
1CBS-20	20"	(500)	254.0	(115.2)

All dimensions in charts and on drawings are in inches. Dimensions shown in parentheses are in millimeters unless otherwise specified.

Pipe Hangers

B3100 - Standard Clevis Hanger

SLIDE-RITE™ Clevis Hanger Features

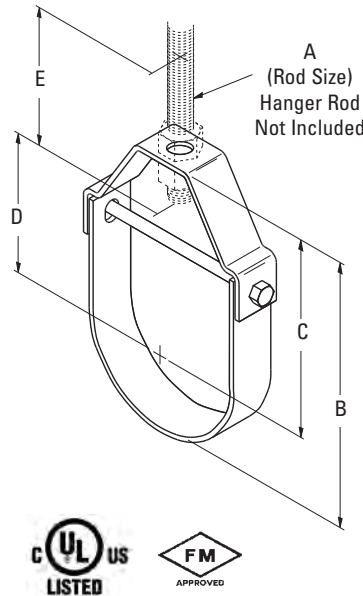
Pipe will not 'pinch' when installing.

15° swing in either direction allows pipe to easily feed thru.

Engineered design aligns bolt holes for quicker overhead installation.

*SLIDE-RITE™ Clevis Hanger design, as shown below, for sizes 2, 2½, 3, 4, 5 & 6.

Pat. No. 5,848,770
5,924,655



Component of State of California OSHPD Approved Seismic Restraints System

B
Bottom of pipe to top of hanger.

C
Center of pipe to top of hanger.

D
Rod Take-Out
Center of pipe to bottom of hanger rod.

E
Minimum thread length of hanger rod

F
Adjustment
Top of cross bolt to bottom of hanger rod nut inside the hanger.



Part No.	Nominal Pipe Size		Rod Size A		B		C		D	
	in.	(mm)	Std	NFPA**	in.	(mm)	in.	(mm)	in.	(mm)
B3100-1/2	1/2"	(15)	3/8"-16	3/8"-16	2 1/8"	(54.0)	1 3/4"	(44.4)	1 5/16"	(23.8)
B3100-3/4	3/4"	(20)	3/8"-16	3/8"-16	2 1/2"	(63.5)	2"	(50.8)	1 1/8"	(28.6)
B3100-1	1"	(25)	3/8"-16	3/8"-16	2 7/8"	(73.0)	2 1/4"	(57.1)	1 3/8"	(34.9)
B3100-1 1/4	1 1/4"	(32)	3/8"-16	3/8"-16	3 1/2"	(88.9)	2 1 1/16"	(68.2)	1 13/16"	(46.0)
B3100-1 1/2	1 1/2"	(40)	3/8"-16	3/8"-16	4"	(101.6)	3 1/16"	(77.8)	2 1/4"	(57.1)
B3100-2 *	2"	(50)	3/8"-16	3/8"-16	4 1/2"	(114.3)	3 5/16"	(84.1)	2 1/2"	(63.5)
B3100-2 1/2 *	2 1/2"	(65)	1/2"-13	3/8"-16	5 3/8"	(136.5)	3 15/16"	(100.0)	3 1/16"	(77.8)
B3100-3 *	3"	(80)	1/2"-13	3/8"-16	6 1/2"	(165.1)	4 3/4"	(120.6)	3 5/16"	(100.0)
B3100-3 1/2	3 1/2"	(90)	1/2"-13	3/8"-16	7 1/4"	(184.1)	5 1/4"	(133.3)	4 1/16"	(103.2)
B3100-4 *	4"	(100)	5/8"-11	3/8"-16	7 3/4"	(196.8)	5 1/2"	(139.7)	5 1/2"	(139.7)
B3100-5 *	5"	(125)	5/8"-11	1/2"-13	8 3/4"	(222.2)	6 1/8"	(155.6)	6"	(152.4)
B3100-6 *	6"	(150)	3/4"-10	1/2"-13	10 5/16"	(261.9)	6 15/16"	(176.2)	7"	(177.8)
B3100-8	8"	(200)	3/4"-10	1/2"-13	12 3/4"	(323.8)	8 7/16"	(214.3)	7 1/8"	(181.0)
B3100-10	10"	(250)	7/8"-9	5/8"-11	15 1/8"	(384.2)	9 3/4"	(247.6)	8 3/8"	(212.7)
B3100-12	12"	(300)	7/8"-9	5/8"-11	17 1/2"	(444.5)	11 1/8"	(282.6)	9 1 1/16"	(246.1)
B3100-14	14"	(350)	1"-8	--	19 3/8"	(492.1)	12 3/8"	(314.3)	10 5/8"	(269.9)
B3100-16	16"	(400)	1"-8	--	21 3/8"	(542.9)	13 3/8"	(339.7)	11 9/16"	(293.7)
B3100-18	18"	(450)	1"-8	--	25"	(635.0)	16"	(406.4)	14 3/16"	(360.3)
B3100-20	20"	(500)	1 1/4"-7	--	28 3/4"	(730.2)	17 3/4"	(450.8)	16 5/8"	(422.3)
B3100-24	24"	(600)	1 1/4"-7	--	32 3/4"	(831.8)	19 3/4"	(501.6)	18 5/8"	(473.1)
B3100-30	30"	(750)	1 1/4"-7	--	39 15/16"	(1014.4)	24 15/16"	(633.4)	22 3/4"	(577.8)
B3100-36	36"	(900)	1 1/4"-7	--	46"	(1168.4)	28"	(711.2)	25"	(635.0)

All dimensions in charts and on drawings are in inches. Dimensions shown in parentheses are in millimeters unless otherwise specified.

B3100 - Standard Clevis Hanger

Component of State of
California OSHPD Approved
Seismic Restraints System

Size Range: 1/2" (15mm) to 36" (900mm)

Material: Steel

Function: Recommended for the suspension of non-insulated pipe or insulated pipe with a B3151 shield.

Note: When an oversized clevis is used, a pipe spacer should be placed over the cross bolt to assure that the lower U-strap will not move in on the bolt. When attaching seismic bracing to the clevis hangers, a Fig. 1CBS (cross bolt spacer) must be installed. See Seismic Restraints Approval Guidelines.

Order pipe sleeves Fig. 1CBS-(pipe size) separately.

Approvals: Included in our Seismic Restraints Catalog approved by the State of California Office of Statewide Health Planning and Development (OSHPD). For additional load, spacing and placement information relating to OSHPD projects, please refer to the B-Line/TOLCO Seismic Restraint Systems Guidelines. Underwriter's Laboratories Listed in the USA (UL) and Canada (cUL) for sizes 3/4" (20mm) thru 12" (300mm). Factory Mutual Engineering Approved (FM) for 3/4" (20mm) thru 12" (300mm) pipe. Conforms to Federal Specification WW-H-171E & A-A-1192A, Type 1 and Manufacturers Standardization Society ANSI/MSS SP-69 & SP-58, Type 1. Also available to accommodate rod schedule per National Fire Protection Association (NFPA) Pamphlet 13.

Maximum Temperature: 650°F (343°C).

Standard Finish: Plain, Electro-Galvanized, DURA GREEN™, or Hot-Dip Galvanized also available in Stainless Steel



Order By: Part number and finish.

For AWWA - Ductile Iron Clevis Hangers, see B3102, page 52.

Special Note: Do not use the dimensions shown in the B3100 chart for NFPA hanger sizes. Contact customer service for NFPA rod sizing on 1/2" (15mm) thru 12" (300mm) pipe. Part numbers will be 1NFPA-pipe size.

Part No.	E		Adjustment F		Design Load		Approx. Wt./100	
	in.	(mm)	in.	(mm)	Lbs.	(kN)	Lbs.	(kg)
B3100-1/2	2 1/2"	(63.5)	7/16"	(11.1)	730	(3.25)	25	(11.3)
B3100-3/4	2 1/2"	(63.5)	1/2"	(12.7)	730	(3.25)	29	(13.1)
B3100-1	2 1/2"	(63.5)	5/8"	(15.9)	730	(3.25)	35	(15.9)
B3100-1 1/4	2 1/2"	(63.5)	7/8"	(22.2)	730	(3.25)	40	(18.1)
B3100-1 1/2	2 1/2"	(63.5)	1 3/16"	(30.2)	730	(3.25)	42	(19.0)
B3100-2 *	2 1/2"	(63.5)	1 5/8"	(41.3)	730	(3.25)	52	(23.6)
B3100-2 1/2 *	2 1/2"	(63.5)	2"	(50.8)	1350	(6.00)	90	(40.8)
B3100-3 *	2 1/2"	(63.5)	2"	(50.8)	1350	(6.00)	110	(49.9)
B3100-3 1/2	2 1/2"	(63.5)	2"	(50.8)	1350	(6.00)	142	(64.4)
B3100-4 *	2 1/2"	(63.5)	2"	(50.8)	1430	(6.36)	132	(59.9)
B3100-5 *	2 1/2"	(63.5)	2"	(50.8)	1430	(6.36)	215	(97.5)
B3100-6 *	3"	(76.2)	2"	(50.8)	1940	(8.63)	320	(145.1)
B3100-8	3 1/2"	(88.9)	2 5/16"	(58.7)	2000	(8.89)	485	(220.0)
B3100-10	3 1/2"	(88.9)	2 5/16"	(58.7)	3600	(16.01)	846	(383.7)
B3100-12	3 1/2"	(88.9)	2 5/8"	(66.7)	3800	(16.90)	1083	(491.2)
B3100-14	4"	(101.6)	2 7/8"	(73.0)	4200	(18.68)	1432	(649.5)
B3100-16	4"	(101.6)	2 11/16"	(68.3)	4600	(20.46)	2200	(997.9)
B3100-18	4 1/2"	(114.3)	3 15/16"	(100.0)	4800	(21.35)	2500	(1134.0)
B3100-20	5"	(127.0)	5 3/8"	(136.5)	4800	(21.35)	4400	(1995.8)
B3100-24	5"	(127.0)	5 3/8"	(136.5)	4800	(21.35)	5000	(2268.0)
B3100-30	5"	(127.0)	6 1/4"	(158.7)	6000	(26.69)	6600	(2993.7)
B3100-36	5"	(127.0)	5 7/16"	(138.1)	6000	(26.69)	8474	(3843.8)

*SLIDE-RITE™ Clevis Hanger design, as shown above, for sizes 2, 2 1/2, 3, 4, 5 & 6.

All dimensions in charts and on drawings are in inches. Dimensions shown in parentheses are in millimeters unless otherwise specified.

Pipe Hangers

B3100C - Standard Clevis Hanger - Plastic Coated

B3100F - Standard Clevis Hanger - Felt Lined for Copper Tubing

Size Range: 1/2" (15mm) to 8" (200mm) pipe

Material: Steel

Insulation Material: 3/16" (4.8mm) Felt

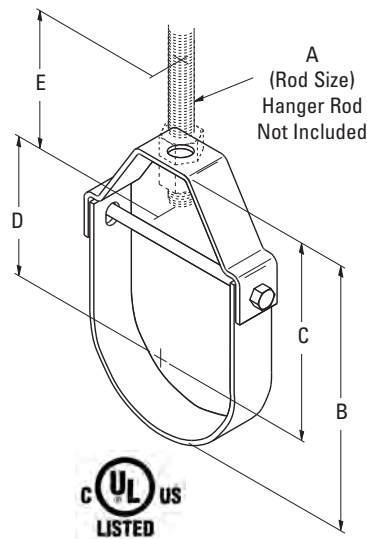
Service: The B3100F is designed for the suspension of copper tube so as to prevent electrolysis between tubing and hanger. The B3100C is designed for steel or other pipe types of the same O.D. Both B3100F and B3100C act to reduce noise and vibration in pipe or tubing systems.

Approvals: Underwriter's Laboratories Listed in the USA (UL) and Canada (cUL).

Maximum Temperature: 650°F (343°C).

Standard Finish: Plain, Electro-Galvanized, or Hot-Dip Galvanized. Contact customer service for alternative finishes and materials.

Order By: Part number and finish.



- B Bottom of pipe to top of hanger.
- C Center of pipe to top of hanger.
- D Rod Take-Out
Center of pipe to bottom of hanger rod.
- E Minimum thread length of hanger rod
- F Adjustment
Top of cross bolt to bottom of hanger rod nut inside the hanger.

Part No.	Pipe Size		Rod Size A	B		C		D	
	in.	(mm)		in.	(mm)	in.	(mm)	in.	(mm)
B3100-1/2	1/2"	(15)	3/8"-16	2 1/8"	(54.0)	1 11/16"	(42.9)	1 5/16"	(23.8)
B3100-3/4	3/4"	(20)	3/8"-16	2 7/16"	(61.9)	1 7/8"	(47.6)	1 1/8"	(28.6)
B3100-1	1"	(25)	3/8"-16	2 13/16"	(71.4)	2 1/8"	(54.0)	1 3/8"	(34.9)
B3100-1 1/4	1 1/4"	(32)	3/8"-16	3 7/16"	(87.3)	2 9/16"	(65.1)	1 13/16"	(46.0)
B3100-1 1/2	1 1/2"	(40)	3/8"-16	4"	(101.6)	3"	(76.2)	2 1/4"	(57.1)
B3100-2	2"	(50)	3/8"-16	4 1/2"	(114.3)	3 1/4"	(82.5)	2 1/2"	(63.5)
B3100-2 1/2	2 1/2"	(65)	1/2"-13	5 9/16"	(141.3)	4"	(101.6)	3 1/16"	(77.8)
B3100-3	3"	(80)	1/2"-13	6 3/4"	(171.4)	4 7/8"	(123.8)	3 15/16"	(100.0)
B3100-3 1/2	3 1/2"	(90)	1/2"-13	7"	(177.8)	5"	(127.0)	4 1/16"	(103.2)
B3100-4	4"	(100)	5/8"-11	7 13/16"	(198.4)	5 1/2"	(139.7)	4 3/8"	(111.1)
B3100-5	5"	(125)	5/8"-11	9 1/16"	(230.2)	6 1/8"	(155.6)	5"	(127.0)
B3100-6	6"	(150)	3/4"-10	10 7/16"	(265.1)	6 15/16"	(176.2)	5 11/16"	(144.5)
B3100-8	8"	(200)	3/4"-10	12 3/4"	(323.8)	8 3/8"	(212.7)	7 1/8"	(181.0)

Part No.	E		Adjustment F		Design Load		Approx. Wt./100	
	in.	(mm)	in.	(mm)	Lbs.	(kN)	Lbs.	(kg)
B3100-1/2	2 1/2"	(63.5)	7/16"	(11.1)	730	(3.25)	25	(11.3)
B3100-3/4	2 1/2"	(63.5)	1/2"	(12.7)	730	(3.25)	29	(13.1)
B3100-1	2 1/2"	(63.5)	5/8"	(15.9)	730	(3.25)	35	(15.9)
B3100-1 1/4	2 1/2"	(63.5)	7/8"	(22.2)	730	(3.25)	40	(18.1)
B3100-1 1/2	2 1/2"	(63.5)	1 3/16"	(30.2)	730	(3.25)	42	(19.0)
B3100-2	2 1/2"	(63.5)	1 5/8"	(41.3)	730	(3.25)	52	(23.6)
B3100-2 1/2	2 1/2"	(63.5)	2"	(50.8)	1350	(6.00)	90	(40.8)
B3100-3	2 1/2"	(63.5)	2"	(50.8)	1350	(6.00)	110	(49.9)
B3100-3 1/2	2 1/2"	(63.5)	2"	(50.8)	1350	(6.00)	142	(64.4)
B3100-4	2 1/2"	(63.5)	2"	(50.8)	1430	(6.36)	132	(59.9)
B3100-5	2 1/2"	(63.5)	2"	(50.8)	1430	(6.36)	215	(97.5)
B3100-6	3"	(76.2)	2"	(50.8)	1940	(8.63)	320	(145.1)
B3100-8	3 1/2"	(88.9)	2 5/16"	(58.7)	2000	(8.89)	485	(220.0)



B3100C



B3100F

All dimensions in charts and on drawings are in inches. Dimensions shown in parentheses are in millimeters unless otherwise specified.

B3102 - A.W.W.A. Clevis Hanger

Size Range: 4" (100mm) to 24" (600mm)

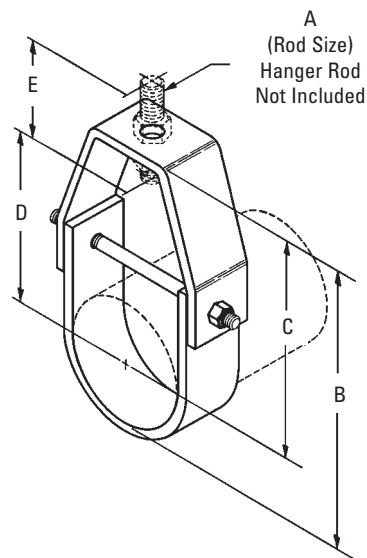
Material: Steel

Function: Recommended for the suspension of flanged or bell and spigot A.W.W.A. cast iron or ductile iron pipe. The O.D. of the A.W.W.A. iron pipe is shown in the data table.

Approvals: Conforms to Federal Specification WW-H-171E & A-A-1192A, Type 1 and Manufacturers Standardization Society ANSI/MSS SP-69 & SP-58, Type 1.

Standard Finish: Plain & Electro-Galvanized. Contact customer service for alternative finishes and materials.

Order By: Part number and finish.



- B
Bottom of pipe to top of hanger.
- C
Center of pipe to top of hanger.
- D
Rod Take-Out
Center of pipe to bottom of hanger rod.
- E
Minimum thread length of hanger rod
- F
Adjustment
Top of cross bolt to bottom of hanger rod nut inside the hanger.



Part No.	Pipe O.D.		Rod Size		B		C		D		E		F		Design Load	Approx. Wt./100	
	in.	(mm)	A	in.	(mm)	in.	(mm)	in.	(mm)	in.	(mm)	in.	(mm)	Lbs.			(kN)
B3102-4	4.80	(121.9)	5/8"-11	8 ⁵ / ₁₆ "	(211.1)	5 ¹³ / ₁₆ "	(147.6)	4 ⁵ / ₈ "	(117.5)	2 ¹ / ₂ "	(63.5)	2"	(50.8)	1430	(6.36)	203	(92.1)
B3102-6	6.90	(175.2)	3/4"-10	10 ⁵ / ₈ "	(269.9)	7 ¹ / ₁₆ "	(179.4)	5 ¹³ / ₁₆ "	(147.6)	3"	(76.2)	2"	(50.8)	1940	(8.63)	352	(159.6)
B3102-8	9.05	(229.9)	3/4"-10	13 ¹ / ₄ "	(336.5)	8 ⁵ / ₈ "	(219.1)	7 ³ / ₁₆ "	(182.5)	3 ¹ / ₂ "	(88.9)	2 ¹ / ₈ "	(54.0)	2000	(8.89)	532	(241.3)
B3102-10	11.10	(281.9)	7/8"-9	15 ⁷ / ₈ "	(403.2)	10 ¹ / ₄ "	(260.3)	8 ¹¹ / ₁₆ "	(220.6)	3 ¹ / ₂ "	(88.9)	2 ¹ / ₄ "	(57.1)	3600	(16.01)	800	(362.9)
B3102-12	13.20	(335.3)	7/8"-9	18"	(457.2)	11 ⁵ / ₁₆ "	(287.3)	9 ³ / ₄ "	(247.6)	3 ¹ / ₂ "	(88.9)	2 ¹ / ₄ "	(57.1)	3800	(16.90)	1152	(522.5)
B3102-14	15.30	(388.6)	1"-8	20 ³ / ₈ "	(517.5)	12 ⁵ / ₈ "	(320.7)	11 ³ / ₁₆ "	(281.6)	4"	(101.6)	2 ⁷ / ₈ "	(73.0)	4200	(18.68)	1449	(657.2)
B3102-16	17.40	(441.9)	1"-8	23 ¹ / ₂ "	(569.9)	14 ¹¹ / ₁₆ "	(373.1)	12 ⁷ / ₈ "	(327.0)	4"	(101.6)	3 ³ / ₈ "	(85.7)	4600	(20.46)	2100	(952.6)
B3102-18	19.50	(495.3)	1"-8	25 ⁵ / ₈ "	(650.9)	15 ³ / ₄ "	(400.0)	13 ¹⁵ / ₁₆ "	(354.0)	4 ¹ / ₂ "	(114.3)	3 ³ / ₈ "	(85.7)	4800	(21.35)	2294	(1040.5)
B3102-20	21.60	(548.6)	1 ¹ / ₄ "-7	29 ¹ / ₂ "	(749.3)	18 ⁹ / ₁₆ "	(471.5)	17 ⁷ / ₁₆ "	(442.9)	5"	(127.0)	4 ¹³ / ₁₆ "	(122.2)	4800	(21.35)	3887	(1763.1)
B3102-24	25.80	(655.3)	1 ¹ / ₄ "-7	33"	(838.2)	19 ¹ / ₈ "	(508.0)	20"	(485.8)	5"	(127.0)	5 ¹ / ₄ "	(133.3)	4800	(21.35)	4844	(2197.2)

All dimensions in charts and on drawings are in inches. Dimensions shown in parentheses are in millimeters unless otherwise specified.

Pipe Hangers

B3108 - Extended Clevis Hanger

Size Range: 3/4" (20mm) thru 12" (300mm) pipe

Material: Steel

Function: Recommended for the suspension of insulated pipe where the temperature does not require the use of slides, guides, or rollers for movement.

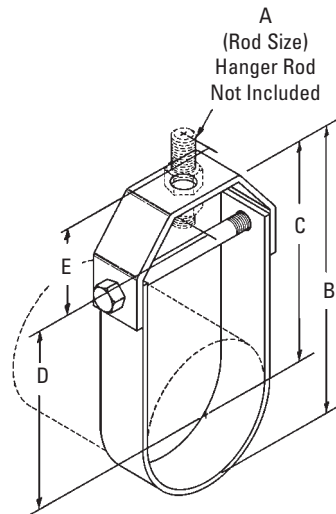
Approvals: Conforms to Federal Specification WW-H-171E & A-A-1192A, Type 1 and Manufacturers Standardization Society ANSI/MSS SP-69 & SP-58, Type 1.

Maximum Temperature: 650°F (343°C).

Order By: Part number and finish.

Standard Finish: Plain, Electro-Galvanized or Hot Dip Galvanized

For service temperatures of 750°F (399°C) thru 1050°F (565°C) specify Type 304 Stainless Steel



- B Bottom of pipe to top of hanger.
- C Center of pipe to top of hanger.
- D Rod Take-Out
Center of pipe to bottom of hanger rod.
- E Minimum thread length of hanger rod.
- F Adjustment
Top of cross bolt to bottom of hanger rod nut inside the hanger.
- H Maximum insulation thickness.

Part No.	Nominal Pipe Size		Rod Size	B		C		D	
	in.	(mm)	A	in.	(mm)	in.	(mm)	in.	(mm)
B3108-3/4	3/4"	(20)	3/8"-16	43/8"	(111.1)	313/16"	(96.8)	31/16"	(77.8)
B3108-1	1"	(25)	3/8"-16	43/4"	(120.6)	41/16"	(103.2)	31/4"	(82.5)
B3108-11/4	11/4"	(32)	3/8"-16	53/8"	(136.5)	41/2"	(114.3)	35/16"	(84.1)
B3108-11/2	11/2"	(40)	3/8"-16	67/8"	(174.6)	515/16"	(150.8)	51/8"	(130.2)
B3108-2	2"	(50)	3/8"-16	813/16"	(223.8)	75/8"	(193.7)	67/8"	(174.6)
B3108-21/2	21/2"	(65)	1/2"-13	10"	(254.0)	81/2"	(215.9)	79/16"	(192.1)
B3108-3	3"	(80)	1/2"-13	105/8"	(269.9)	813/16"	(223.8)	77/8"	(200.0)
B3108-4	4"	(100)	5/8"-11	1113/16"	(300.0)	91/2"	(241.3)	83/8"	(212.7)
B3108-5	5"	(125)	5/8"-11	131/8"	(333.4)	105/16"	(261.9)	91/8"	(231.8)
B3108-6	6"	(150)	3/4"-10	143/8"	(365.1)	11"	(279.5)	911/16"	(246.0)
B3108-8	8"	(200)	3/4"-10	163/4"	(425.4)	123/8"	(314.3)	111/8"	(282.6)
B3108-10	10"	(250)	7/8"-9	191/4"	(488.9)	1313/16"	(350.8)	125/16"	(312.7)
B3108-12	12"	(300)	7/8"-9	215/8"	(549.3)	153/16"	(385.8)	135/8"	(346.1)



Part No.	E		F		H		Design Load		Approx. Wt./100	
	in.	(mm)	in.	(mm)	in.	(mm)	lbs.	(kN)	lbs.	(kg)
B3108-3/4	21/2"	(63.5)	1/2"	(12.7)	2"	(50.8)	730	(3.25)	45	(20.4)
B3108-1	21/2"	(63.5)	5/8"	(15.9)	2"	(50.8)	730	(3.25)	49	(22.2)
B3108-11/4	21/2"	(63.5)	7/8"	(22.2)	2"	(50.8)	730	(3.25)	55	(24.9)
B3108-11/2	21/2"	(63.5)	13/16"	(30.2)	2"	(50.8)	730	(3.25)	67	(30.4)
B3108-2	21/2"	(63.5)	15/8"	(41.3)	4"	(101.6)	730	(3.25)	83	(37.6)
B3108-21/2	21/2"	(63.5)	2"	(50.8)	4"	(101.6)	1350	(6.00)	177	(80.3)
B3108-3	21/2"	(63.5)	2"	(50.8)	4"	(101.6)	1350	(6.00)	191	(86.6)
B3108-4	21/2"	(63.5)	2"	(50.8)	4"	(101.6)	1430	(6.36)	237	(107.5)
B3108-5	21/2"	(63.5)	2"	(50.8)	4"	(101.6)	1430	(6.36)	302	(137.0)
B3108-6	3"	(76.2)	2"	(50.8)	4"	(101.6)	1940	(8.63)	397	(180.1)
B3108-8	31/2"	(88.9)	25/16"	(58.7)	4"	(101.6)	2000	(8.89)	582	(264.0)
B3108-10	31/2"	(88.9)	25/16"	(58.7)	4"	(101.6)	3600	(16.01)	968	(439.1)
B3108-12	31/2"	(88.9)	25/8"	(66.7)	4"	(101.6)	3800	(16.90)	1221	(553.8)

All dimensions in charts and on drawings are in inches. Dimensions shown in parentheses are in millimeters unless otherwise specified.

B3690 - J-Hanger for Pipe or Conduit
B3690F - Felt Lined J-Hanger for Copper Tubing
B3690C - PVC Coated J-Hanger for Pipe or Conduit

Size Range: 1/2" (15mm) to 10" (250mm) pipe size

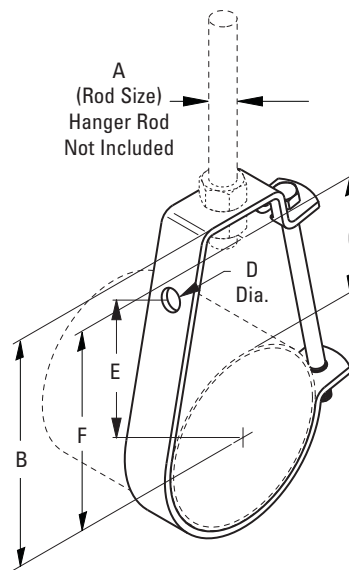
Material: Steel

Function: Recommended for the suspension of non-insulated pipe, or insulated pipe with B3151 shield. Side hole allows for wall mounting. B3690F and B3690C are designed to reduce noise and vibration and/or prevent electrolysis between pipe and hanger.

Approvals: Conforms Manufacturers Standardization Society ANSI/MSS SP-69 & SP-58, Type 5.

Standard Finish: Electro-Plated. Contact customer service for alternative finishes and materials.

Order By: Part number and finish.



B
Center of pipe to top of hanger.
F
Rod Take-Out
Center of pipe to bottom of hanger rod.



B3690F



B3690C



Part No.	Pipe O.D.		Rod Size		B		C		D		E		F		Design Load Lbs. (kN)	Approx. Wt./100 Lbs. (kg)	
	in.	(mm)	A	in.	(mm)	in.	(mm)	in.	(mm)	in.	(mm)	in.	(mm)				
B3690-1/2	1/2"	(15)	3/8"-16	25/8"	(66.7)	13/4"	(44.4)	7/16"	(11.1)	1 1/2"	(38.1)	115/16"	(49.2)	400	(1.78)	18	(8.1)
B3690-3/4	3/4"	(20)	3/8"-16	27/8"	(73.0)	17/8"	(47.6)	7/16"	(11.1)	1 11/16"	(42.9)	2 1/8"	(54.0)	400	(1.78)	21	(9.5)
B3690-1	1"	(25)	3/8"-16	2 15/16"	(74.6)	1 15/16"	(49.2)	7/16"	(11.1)	1 13/16"	(46.0)	2 5/16"	(58.7)	400	(1.78)	22	(10.0)
B3690-1 1/4	1 1/4"	(32)	3/8"-16	3 1/4"	(82.5)	2"	(50.8)	7/16"	(11.1)	2 1/16"	(52.4)	2 5/8"	(66.7)	400	(1.78)	25	(11.3)
B3690-1 1/2	1 1/2"	(40)	3/8"-16	3 9/16"	(90.5)	2 3/16"	(55.6)	7/16"	(11.1)	2 7/16"	(61.9)	2 7/8"	(73.0)	400	(1.78)	27	(12.2)
B3690-2	2"	(50)	3/8"-16	3 11/16"	(93.7)	2 1/8"	(54.0)	7/16"	(11.1)	2 9/16"	(65.1)	3 1/16"	(77.8)	400	(1.78)	29	(13.1)
B3690-2 1/2	2 1/2"	(65)	1/2"-13	4 7/16"	(112.7)	2 7/16"	(61.9)	9/16"	(14.3)	3 3/16"	(81.0)	3 5/8"	(92.1)	500	(2.22)	64	(29.0)
B3690-3	3"	(80)	1/2"-13	4 13/16"	(122.2)	2 9/16"	(65.1)	9/16"	(14.3)	3 1/2"	(88.9)	4 1/16"	(103.2)	500	(2.22)	72	(32.6)
B3690-3 1/2	3 1/2"	(90)	1/2"-13	5 1/8"	(130.2)	2 5/8"	(66.7)	9/16"	(14.3)	3 3/4"	(95.2)	4 3/8"	(111.1)	500	(2.22)	84	(38.1)
B3690-4	4"	(100)	5/8"-11	6 1/8"	(155.6)	3 3/16"	(81.0)	9/16"	(14.3)	4 5/8"	(117.5)	5 3/16"	(131.8)	550	(2.44)	138	(62.6)
B3690-5	5"	(125)	5/8"-11	6 3/4"	(171.4)	3 1/4"	(82.5)	9/16"	(14.3)	5 1/16"	(128.6)	5 3/4"	(146.0)	550	(2.44)	162	(73.5)
B3690-6	6"	(150)	3/4"-10	7 3/4"	(196.8)	3 9/16"	(90.5)	9/16"	(14.3)	5 13/16"	(147.6)	6 5/8"	(168.3)	600	(2.67)	249	(112.9)
B3690-8	8"	(200)	7/8"-9	9 3/16"	(233.4)	3 15/16"	(100.0)	9/16"	(14.3)	6 15/16"	(176.2)	8"	(203.3)	760	(3.38)	291	(132.0)
B3690-10	10"	(250)	7/8"-9	10 3/4"	(273.0)	3 7/8"	(98.4)	9/16"	(14.3)	7 5/8"	(193.7)	9 1/8"	(231.8)	760	(3.38)	315	(142.9)

All dimensions in charts and on drawings are in inches. Dimensions shown in parentheses are in millimeters unless otherwise specified.

Pipe Hangers

B3109 - Flat Top Clevis Hanger

Size Range: 2" (50mm) to 8" (200mm) pipe size

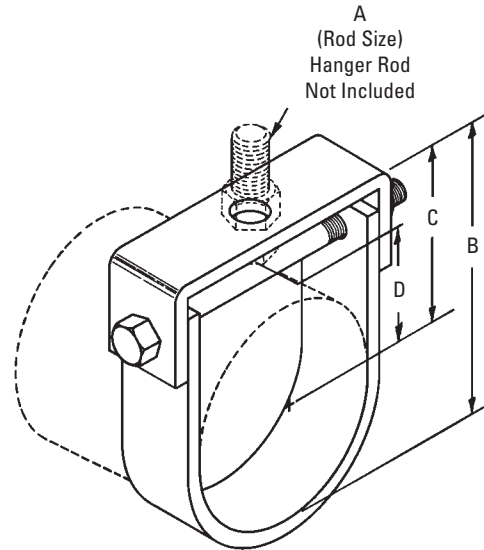
Material: Steel

Function: Recommended for suspending non-insulated, stationary pipe where space is limited.

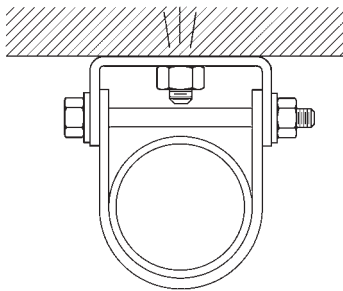
Approvals: Complies with Manufacturers Standardization Society ANSI/MSS SP-69 & SP-58 Type 1.

Standard Finish: Plain or Electro-Galvanized

Order By: Part number and finish.



- B**
Bottom of pipe to top of hanger.
- C**
Center of pipe to top of hanger.
- D**
Rod Take-Out
Center of pipe to bottom of hanger rod.



Part No.	Pipe Size		Rod Size		B	
	in.	(mm)	A	in.	(mm)	
B3109-2	2"	(50)	3/8"-16	3 13/16"	(96.8)	
B3109-2 1/2	2 1/2"	(65)	1/2"-13	4 5/8"	(117.5)	
B3109-3	3"	(80)	1/2"-13	5 5/16"	(134.9)	
B3109-3 1/2	3 1/2"	(90)	1/2"-13	5 13/16"	(147.6)	
B3109-4	4"	(100)	5/8"-11	6 1/2"	(165.1)	
B3109-5	5"	(125)	5/8"-11	7 13/16"	(198.4)	
B3109-6	6"	(150)	3/4"-10	9 7/16"	(230.2)	
B3109-8	8"	(200)	3/4"-10	11 3/8"	(288.9)	

Part No.	C		Rod Take-Out D		Design Load		Approx. Wt./100	
	in.	(mm)	in.	(mm)	Lbs.	(kN)	Lbs.	(kg)
B3109-2	2 5/8"	(66.7)	1 7/8"	(47.6)	300	(1.33)	52	(23.6)
B3109-2 1/2	3 3/16"	(81.0)	2 3/16"	(55.6)	500	(2.22)	116	(52.6)
B3109-3	3 9/16"	(90.5)	2 5/8"	(66.7)	500	(2.22)	133	(60.3)
B3109-3 1/2	3 13/16"	(96.8)	2 7/8"	(73.0)	500	(2.22)	145	(65.8)
B3109-4	4 1/4"	(107.9)	3 1/8"	(79.4)	700	(3.11)	180	(81.6)
B3109-5	5"	(127.0)	3 7/8"	(98.4)	700	(3.11)	248	(112.5)
B3109-6	5 11/16"	(144.5)	4 7/16"	(112.7)	900	(4.00)	332	(150.6)
B3109-8	7"	(177.8)	5 13/16"	(147.6)	1000	(4.45)	513	(232.7)

All dimensions in charts and on drawings are in inches. Dimensions shown in parentheses are in millimeters unless otherwise specified.

B3106 - Vee Bottom Clevis Hanger

Size Range: 1/2" (15mm) to 4" (100mm) pipe

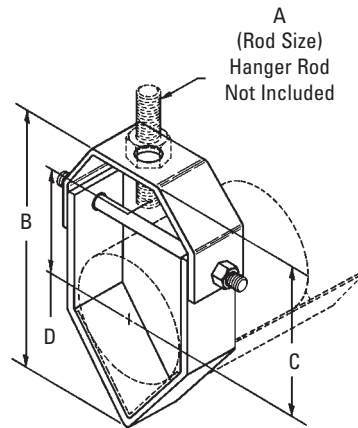
Material: Steel

Function: Recommended for the suspension of flexible plastic pipe. Use with B3106V support trough for plastic pipe.

Approvals: Complies with Manufacturers Standardization Society ANSI/MSS SP-69 & SP-58 Type 1.

Standard Finish: Plain & Electro-Galvanized. Contact customer service for alternative finishes and materials.

Order By: Part number and finish.



- B Overall Height
- C Center of pipe to top of hanger.
- D Rod Take-Out Center of pipe to bottom of hanger rod.
- E Minimum thread length of hanger rod.



Part No.	Pipe Size		Rod Size	B		C	
	in.	(mm)	A	in.	(mm)	in.	(mm)
B3106-2	1/2" to 2"	(15 to 50)	3/8"-16	5 15/16"	(150.8)	4 1/16"	(103.2)
B3106-4	2 1/2" to 4"	(65 to 100)	1/2"-13	9 3/8"	(238.1)	6"	(152.4)

Part No.	Rod Take-Out D		Adjustment E		Design Load	Approx Wt./100
	in.	(mm)	in.	(mm)	Lbs. (kN)	Lbs. (kg)
B3106-2	3 5/16"	(84.1)	1 5/8"	(41.3)	150 (.67)	60 (27.2)
B3106-4	4 13/16"	(122.2)	2 3/16"	(55.6)	150 (.67)	143 (64.8)

B3106V - Plastic Pipe Support Channel

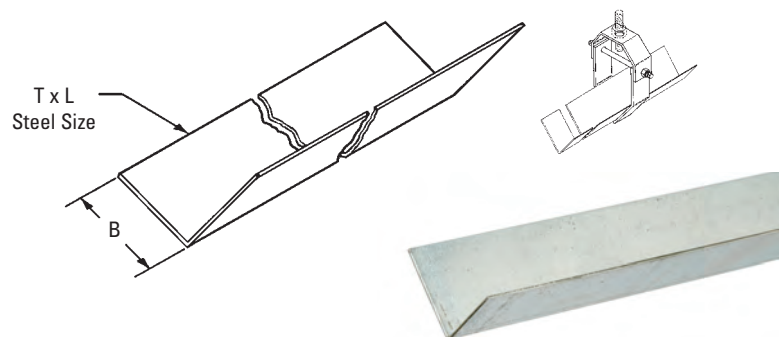
Size Range: 1/2" (15mm) to 4" (100mm) pipe

Material: Steel

Function: Designed for use with B3106 as a support for plastic or other flexible pipe systems.

Standard Finish: Pre-Galvanized. Contact customer service for alternative finishes and materials.

Order By: Part number and finish.



Part No.	For Nominal Pipe Sizes		Steel Size T x L		B	Maximum Hanger Spacing	Design Load	Approx. Wt./100	
	in.	(mm)	in.	(mm)	in. (mm)	Ft. (M)	Lbs. (kN)	Lbs. (kg)	
B3106V-2	1/2" to 2"	(15 to 50)	18 Ga. x 96"	(1.2 x 2438.4)	1 9/16"	(39.7)	8 (2.44)	150 (.67)	449 (203.6)
B3106V-4	2 1/2" to 4"	(65 to 100)	18 Ga. x 120"	(1.2 x 3048.0)	3 1/8"	(79.4)	10 (3.05)	150 (.67)	1123 (509.4)

All dimensions in charts and on drawings are in inches. Dimensions shown in parentheses are in millimeters unless otherwise specified.

Pipe Hangers

B3104 - Light-Duty Clevis Hanger

B3104F - Light-Duty Clevis Hanger - Felt Lined

B3104C - Light-Duty Clevis Hanger - PVC Coated

Size Range: 1/2" (15mm) to 4" (100mm) pipe

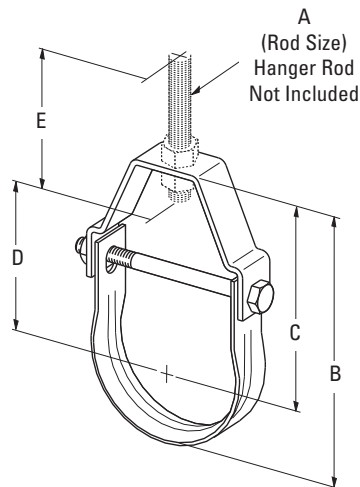
Material: Steel

Function: Recommended for the suspension of light stationary pipe allowing for vertical adjustment.

Approvals: Underwriter's Laboratories Listed in the USA (UL) and Canada (cUL) for sizes 3/4" (20mm) thru 4" (100mm). Conforms to Federal Specification WW-H-171E & A-A-1192A, Type 12 and Manufacturers Standardization Society ANSI/MSS SP-69 & SP-58, Type 1.

Standard Finish: Plain, Electro-Galvanized, or DURA-GREEN™

Order By: Part number and finish.



- B Bottom of pipe to top of hanger.
- C Center of pipe to top of hanger.
- D Rod Take-Out Center of pipe to bottom of hanger rod.
- E Minimum thread length of hanger rod.
- F Adjustment Top of cross bolt to bottom of hanger rod nut inside the hanger.



*Slide-Rite™ Clevis Hanger design for sizes 2, 3 & 4.

Pat. No. 5,848,770
5,924,655



B3104C



B3104F

Part No.	Pipe Size in. (mm)	Rod Size A	B in. (mm)	C in. (mm)
B3104-1/2	1/2" (15)	3/8"-16	1 ¹⁵ / ₁₆ " (49.2)	1 ¹ / ₂ " (38.1)
B3104-3/4	3/4" (20)	3/8"-16	2 ⁵ / ₁₆ " (58.7)	1 ³ / ₄ " (44.4)
B3104-1	1" (25)	3/8"-16	2 ³ / ₄ " (69.8)	2 ¹ / ₁₆ " (52.4)
B3104-1 ¹ / ₄	1 ¹ / ₄ " (32)	3/8"-16	3 ⁵ / ₁₆ " (84.1)	2 ⁷ / ₁₆ " (61.9)
B3104-1 ¹ / ₂	1 ¹ / ₂ " (40)	3/8"-16	3 ⁵ / ₈ " (92.1)	2 ⁵ / ₈ " (66.7)
B3104-2 *	2" (50)	3/8"-16	4 ¹³ / ₁₆ " (122.2)	3 ⁵ / ₈ " (92.1)
B3104-2 ¹ / ₂	2 ¹ / ₂ " (65)	1/2"-13	5 ¹³ / ₁₆ " (147.6)	4 ⁵ / ₁₆ " (109.5)
B3104-3 *	3" (80)	1/2"-13	6 ⁷ / ₁₆ " (163.5)	4 ⁵ / ₈ " (117.5)
B3104-3 ¹ / ₂	3 ¹ / ₂ " (90)	1/2"-13	6 ¹⁵ / ₁₆ " (176.2)	4 ¹⁵ / ₁₆ " (125.4)
B3104-4 *	4" (100)	1/2"-13	7 ³ / ₄ " (196.8)	5 ¹ / ₂ " (139.7)

Part No.	Rod Take-Out D in. (mm)	E in. (mm)	Adjustment F in. (mm)	Design Load Lbs. (kN)	Approx. Wt./100 Lbs. (kg)
B3104-1/2	1 ³ / ₁₆ " (20.6)	2 ¹ / ₂ " (63.5)	7 ¹ / ₁₆ " (11.1)	150 (.67)	13 (5.9)
B3104-3/4	1" (25.4)	2 ¹ / ₂ " (63.5)	7 ¹ / ₁₆ " (11.1)	250 (1.11)	22 (10.0)
B3104-1	1 ³ / ₈ " (34.9)	2 ¹ / ₂ " (63.5)	9 ¹ / ₁₆ " (14.3)	250 (1.11)	24 (10.9)
B3104-1 ¹ / ₄	1 ³ / ₄ " (44.4)	2 ¹ / ₂ " (63.5)	1 ³ / ₁₆ " (20.6)	250 (1.11)	29 (13.1)
B3104-1 ¹ / ₂	2" (50.8)	2 ¹ / ₂ " (63.5)	1" (25.4)	250 (1.11)	30 (13.6)
B3104-2 *	2 ¹⁵ / ₁₆ " (74.6)	2 ¹ / ₂ " (63.5)	1 ³ / ₄ " (44.4)	250 (1.11)	35 (15.9)
B3104-2 ¹ / ₂	3 ⁷ / ₁₆ " (87.3)	2 ¹ / ₂ " (63.5)	2" (50.8)	350 (1.55)	82 (37.2)
B3104-3 *	3 ³ / ₄ " (95.2)	2 ¹ / ₂ " (63.5)	2" (50.8)	350 (1.55)	91 (41.3)
B3104-3 ¹ / ₂	4" (101.6)	2 ¹ / ₂ " (63.5)	2" (50.8)	350 (1.55)	98 (44.4)
B3104-4 *	4 ⁹ / ₁₆ " (115.9)	2 ¹ / ₂ " (63.5)	2 ³ / ₁₆ " (55.6)	400 (1.78)	132 (59.9)

All dimensions in charts and on drawings are in inches. Dimensions shown in parentheses are in millimeters unless otherwise specified.

B3104CT - Clevis Hanger B3104CTC - Clevis Hanger - PVC Coated

Size Range: 1/2" (15mm) to 6" (150mm) copper tubing

Material: Steel

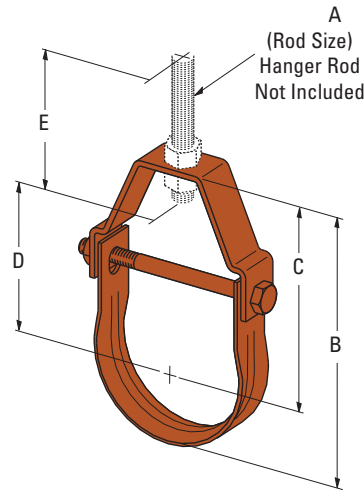
Function: Recommended for the suspension of non-insulated stationary copper tubing lines. Available with plastic coating to provide additional separation between tubing and hanger.

Approvals: Conforms to Federal Specification WW-H-171E & A-A-1192A, Type 12 and Manufacturers Standardization Society ANSI/MSS SP-69 & SP-58, Type 1.

Standard Finish: DURA-COPPER™

Order By: Part number and finish.

- B
Bottom of pipe to top of hanger.
- C
Center of pipe to top of hanger.
- D
Rod Take-Out
Center of pipe to bottom of hanger rod.
- E
Minimum thread length of hanger rod.
- F
Adjustment
Top of cross bolt to bottom of hanger rod nut inside the hanger.



B3104CTC



B3104CT

Part No.	Tubing Size		Rod Size A	B		C		Rod Take-Out D	
	in.	(mm)		in.	(mm)	in.	(mm)	in.	(mm)
B3104CT-1/2	1/2"	(15)	3/8"-16	2 1/4"	(57.1)	1 15/16"	(49.2)	1 1/8"	(28.6)
B3104CT-3/4	3/4"	(20)	3/8"-16	1 15/16"	(49.2)	1 1/2"	(38.1)	1 1/8"	(28.6)
B3104CT-1	1"	(25)	3/8"-16	2 5/16"	(58.7)	1 3/4"	(44.4)	1 5/16"	(33.3)
B3104CT-1 1/4	1 1/4"	(32)	3/8"-16	2 3/4"	(69.8)	2 1/16"	(52.4)	1 9/16"	(39.7)
B3104CT-1 1/2	1 1/2"	(40)	3/8"-16	3 5/16"	(84.1)	2 7/16"	(61.9)	2 1/16"	(52.4)
B3104CT-2	2"	(50)	3/8"-16	4 1/2"	(114.3)	3 7/16"	(87.3)	3 3/8"	(85.7)
B3104CT-2 1/2	2 1/2"	(65)	1/2"-13	5 11/16"	(144.5)	4 1/2"	(114.3)	3 15/16"	(100.0)
B3104CT-3	3"	(80)	1/2"-13	5 3/16"	(131.8)	3 5/8"	(92.1)	4"	(101.6)
B3104CT-3 1/2	3 1/2"	(90)	1/2"-13	6 1/2"	(165.1)	4 9/16"	(115.9)	4 1/8"	(104.8)
B3104CT-4	4"	(100)	1/2"-13	7 3/8"	(187.3)	3 5/16"	(134.9)	4 3/8"	(111.1)
B3104CT-5	5"	(125)	1/2"-13	9"	(228.6)	6 7/16"	(163.5)	5 3/4"	(146.0)
B3104CT-6	6"	(150)	5/8"-11	10 5/16"	(261.9)	7 1/4"	(184.1)	6 1/2"	(165.1)

Part No.	E		Adjustment F		Design Load		Approx. Wt./100	
	in.	(mm)	in.	(mm)	Lbs.	(kN)	Lbs.	(kg)
B3104CT-1/2	2 1/2"	(63.5)	3/8"	(9.5)	150	(.67)	12	(5.4)
B3104CT-3/4	2 1/2"	(63.5)	7/16"	(11.1)	250	(1.11)	12	(5.4)
B3104CT-1	2 1/2"	(63.5)	9/16"	(14.3)	250	(1.11)	22	(10.0)
B3104CT-1 1/4	2 1/2"	(63.5)	9/16"	(14.3)	250	(1.11)	24	(10.9)
B3104CT-1 1/2	2 1/2"	(63.5)	1 5/16"	(23.8)	250	(1.11)	30	(13.6)
B3104CT-2	2 1/2"	(63.5)	1 3/4"	(44.4)	250	(1.11)	35	(15.9)
B3104CT-2 1/2	2 1/2"	(63.5)	2 1/8"	(54.0)	350	(1.55)	80	(36.3)
B3104CT-3	2 1/2"	(63.5)	2 1/16"	(52.4)	350	(1.55)	88	(39.9)
B3104CT-3 1/2	2 1/2"	(63.5)	2 1/8"	(54.0)	350	(1.55)	94	(42.6)
B3104CT-4	2 1/2"	(63.5)	2 1/8"	(54.0)	400	(1.78)	116	(52.6)
B3104CT-5	2 1/2"	(63.5)	2 1/2"	(63.5)	550	(2.44)	208	(94.3)
B3104CT-6	2 1/2"	(63.5)	3"	(76.2)	550	(2.44)	247	(112.0)

All dimensions in charts and on drawings are in inches. Dimensions shown in parentheses are in millimeters unless otherwise specified.

Pipe Hangers

B3170CT - Adjustable Swivel Hanger for Copper Tubing

B3170CTC - Adjustable Swivel Hanger for Copper Tubing - Plastic Coated

Size Range: 1/2" (15mm) thru 6" (150mm) copper tubing

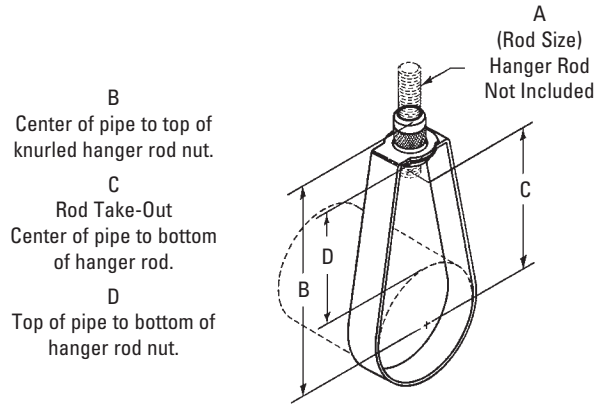
Material: Steel

Function: Recommended for the suspension of copper tubing, allowing for vertical adjustment. (Available with plastic coating to provide additional separation between tubing and hanger.)

Approvals: Conforms to Federal Specification WW-H-171E & A-A-1192A, Type 10 and Manufacturers Standardization Society ANSI/MSS SP-69 & SP-58, Type 10.

Standard Finish: DURA-COPPER™

Order By: Part number and finish.



Part No.	Nominal Pipe Size	Rod Size A	B		C		D	
			in.	(mm)	in.	(mm)	in.	(mm)
B3170CT-1/2	1/2" (15)	3/8"-16	2 1/16"	(52.4)	1 1/8"	(28.6)	3 1/32"	(24.6)
B3170CT-3/4	3/4" (20)	3/8"-16	2 5/16"	(58.7)	1 5/16"	(33.3)	1 1/32"	(26.2)
B3170CT-1	1" (25)	3/8"-16	2 1/2"	(63.5)	1 9/16"	(39.7)	1 5/32"	(29.3)
B3170CT-1 1/4	1 1/4" (32)	3/8"-16	2 1/2"	(63.5)	1 9/16"	(39.7)	1"	(25.4)
B3170CT-1 1/2	1 1/2" (40)	3/8"-16	2 15/16"	(74.6)	2"	(50.8)	1 5/16"	(33.3)
B3170CT-2	2" (50)	3/8"-16	3 1/8"	(79.4)	2 1/8"	(54.0)	1 3/16"	(30.2)
B3170CT-2 1/2	2 1/2" (65)	1/2"-13	4 1/16"	(103.2)	2 9/16"	(65.1)	1 3/8"	(34.9)
B3170CT-3	3" (75)	1/2"-13	3 15/16"	(100.0)	3 3/4"	(95.2)	1 1/4"	(31.7)
B3170CT-3 1/2	3 1/2" (90)	1/2"-13	4 7/16"	(112.7)	3 1/4"	(82.5)	1 1/2"	(38.1)
B3170CT-4	4" (100)	1/2"-13	4 11/16"	(119.1)	3 9/16"	(89.6)	1 9/16"	(39.7)
B3170CT-5	5" (125)	1/2"-13	5 15/16"	(150.8)	4 5/16"	(109.5)	1 25/32"	(45.2)
B3170CT-6	6" (150)	1/2"-13	6 11/16"	(169.9)	5 3/16"	(131.8)	2 1/8"	(54.0)

Pipe Hangers

Part No.	Max. Rec. Load		Approx. Wt./100	
	lbs.	(kN)	lbs.	(kg)
B3170CT-1/2	180	(0.80)	8	(6.6)
B3170CT-3/4	180	(0.80)	10	(4.5)
B3170CT-1	180	(0.80)	10	(4.5)
B3170CT-1 1/4	180	(0.80)	12	(5.4)
B3170CT-1 1/2	180	(0.80)	12	(5.4)
B3170CT-2	180	(0.80)	12	(5.4)
B3170CT-2 1/2	200	(0.89)	31	(24.0)
B3170CT-3	250	(1.11)	33	(14.9)
B3170CT-3 1/2	300	(1.33)	39	(17.2)
B3170CT-4	360	(1.60)	40	(18.1)
B3170CT-5	480	(2.13)	95	(43.1)
B3170CT-6	630	(2.80)	118	(53.5)



B3170CT



B3170CTC

All dimensions in charts and on drawings are in inches. Dimensions shown in parentheses are in millimeters unless otherwise specified.

TOLCO™ Fig. 200 - "Trimline" Adjustable Band Hanger

TOLCO™ Fig. 200F - "Trimline" Adjustable Band Hanger with Felt Lining for Copper Tubing

TOLCO™ Fig. 200C - "Trimline" Adjustable Band Hanger with Plastic Coated

TOLCO™ Fig. 200S - "Trimline" Adjustable Band Hanger with Removable Nut (For sizes 1" thru 2")

Size Range:

Fig. 200 - 1/2" (15mm) thru 8" (200mm) pipe

Material: Steel, Pre-Galvanized to G90 specifications

Function: For fire sprinkler and other general piping purposes. Knurled swivel nut design permits hanger adjustment after installation.

Features:

- 1/2" (15mm) thru 2" (50mm) sizes have flared edges for ease of installation on all pipe types and protects CPVC plastic pipe from abrasion. Captured knurled nut design (flared top) on 1" thru 2" sizes keep nut from separating with hanger. Hanger is easily installed around pipe.
- 1/2" (15mm), 3/4" (20mm), and 2 1/2" (65mm) thru 8" (200mm) Spring tension on nut holds it securely in hanger before installation. Knurled nut is easily removed.
- For 1/2" (15mm) and 3/4" (20mm) sizes with non-captured knurl nuts order Fig. 200S

Approvals: Underwriters Laboratories listed (1/2" (15mm) thru 8" (200mm)) in the USA (**UL**) and Canada (**cUL**) for steel and CPVC plastic pipe and Factory Mutual Engineering Approved (3/4" (20mm) thru 8" (200mm)). Conforms to Federal Specifications WW-H-171E & A-A-1192A, Type 10 and Manufacturers Standardization Society ANSI/MSS SP-69 & SP-58, Type 10.

Maximum Temperature: 650°F (343°C)

Finish: Pre-Galvanized. Stainless Steel materials will be supplied with (2) hex nuts in place of a knurl nut.

Order By: Part number and pipe size

**** Note:** For metric hanger rod sizes add the metric rod size to the figure number.

Example: 200M8-1 1/2 or 200M10-1 1/2

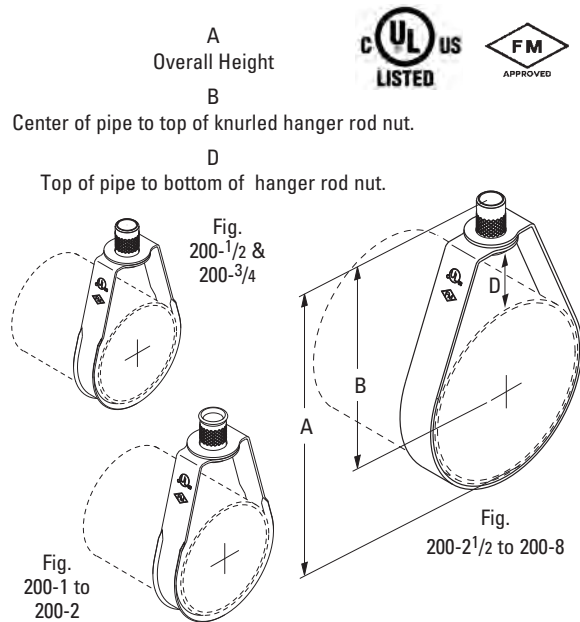


Fig. 200C
200C-1 1/2 shown

Fig. 200F
200F-1 1/2 shown

Fig. 200
shown with captured nut
1" thru 2" sizes only

Fig. 200 & Fig. 200S
shown with
non-captured nut

Part No.**	Pipe Size		Rod Size		A		B		D		Max. Rec. Load lbs. (kN)	Approx. Wt./100	
	in.	(mm)	in.	mm**	in.	(mm)	in.	(mm)	in.	(mm)		lbs.	(kg)
200-1/2	1/2"	(15)	3/8"-16	M8 or M10	3 1/8"	(79.4)	2 5/8"	(66.7)	1 11/32"	(34.1)	400 (1.78)	11	(5.0)
200-3/4	3/4"	(20)	3/8"-16	M8 or M10	3 1/8"	(79.4)	2 1/2"	(63.5)	1 1/16"	(27.0)	400 (1.78)	11	(5.0)
200-1	1"	(25)	3/8"-16	M8 or M10	3 3/8"	(85.7)	2 5/8"	(66.7)	1 1/8"	(28.6)	400 (1.78)	12	(5.5)
200-1 1/4	1 1/4"	(32)	3/8"-16	M8 or M10	3 3/4"	(94.0)	2 7/8"	(73.0)	1 5/32"	(29.3)	400 (1.78)	13	(5.9)
200-1 1/2	1 1/2"	(40)	3/8"-16	M8 or M10	3 7/8"	(98.4)	2 7/8"	(73.0)	1 3/16"	(30.2)	400 (1.78)	14	(6.4)
200-2	2"	(50)	3/8"-16	M8 or M10	4 1/2"	(114.3)	3"	(76.3)	1 3/16"	(30.2)	400 (1.78)	15	(6.9)
200-2 1/2	2 1/2"	(65)	3/8"-16	M10	5 5/8"	(142.9)	4 1/8"	(104.7)	1 7/16"	(36.5)	600 (2.67)	27	(12.3)
200-3	3"	(75)	3/8"-16	M10	5 7/8"	(149.1)	4"	(101.6)	1 1/4"	(31.7)	600 (2.67)	29	(13.3)
200-3 1/2	3 1/2"	(90)	3/8"-16	M10	7 3/8"	(187.3)	5 1/4"	(133.3)	2 3/16"	(55.6)	600 (2.67)	34	(15.6)
200-4	4"	(100)	3/8"-16	M10	7 3/8"	(187.3)	5"	(127.0)	1 3/8"	(34.9)	1000 (4.45)	35	(16.0)
200-5	5"	(125)	1/2"-13	M12	9 1/8"	(231.8)	6 1/4"	(158.7)	3 11/32"	(84.9)	1250 (5.56)	66	(30.2)
200-6	6"	(150)	1/2"-13	M12	10 1/8"	(257.2)	6 3/4"	(171.4)	2 7/32"	(56.3)	1250 (5.56)	73	(33.4)
200-8	8"	(200)	1/2"-13	M12	13 1/8"	(333.4)	8 3/4"	(222.2)	3 7/32"	(81.7)	1250 (5.56)	136	(62.3)

All dimensions in charts and on drawings are in inches. Dimensions shown in parentheses are in millimeters unless otherwise specified.

Pipe Hangers

TOLCO™ Fig. 200H - Heavy Duty Band Hanger (For Trapeze)

Size Range: 2" (50mm) thru 4" (100mm) trapeze pipe size.

Material: Steel — Pre-Galvanized to G40 Spec

Function: Designed primarily to support substantially heavier loads than is normally intended for the nominal hanger size. Used extensively to support trapeze installations and the increased loads from both above and below the trapeze assembly.

Features: Furnished with 3/8"-16 or 1/2"-13 adjusting threaded ring nut.

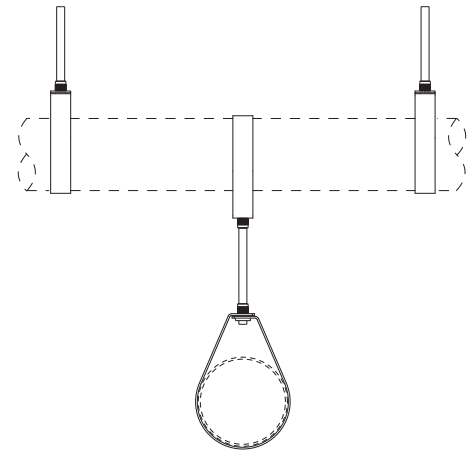
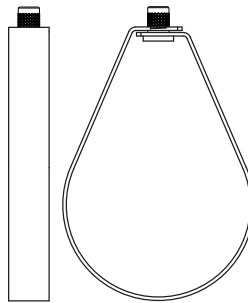
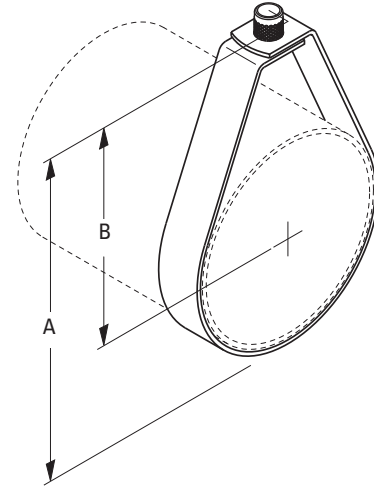
Approvals: Underwriters Laboratories listed in the USA (UL) and Canada** (cUL). Conforms to Federal Specification WW-H-171E & A-A-1192A, Type 10 and Manufacturers Standardization Society ANSI/MSS SP-69 & SP-58, Type 10.

Maximum Temperature: 650°F (343°C)

Finish: Pre-Galvanized

Order By: Part number, pipe size and rod size.

Important Design Note. Because of the increased loads applied to the trapeze assembly, both the upper trapeze supports as well as the lower hanging unit must be able to hold the maximum loads intended.



Part No.	Pipe Size		Rod Size	A		B		Max. Rec. Load		Approx. Wt./100	
	in.	(mm)		in.	(mm)	in.	(mm)	lbs.	(kN)	lbs.	(kg)
200H-2-3/8	2"	(50)	3/8"-16	4 ⁹ / ₁₆ "	(115.9)	3 ⁷ / ₃₂ "	(81.7)	1200	(5.34)	48	(21.8)
200H-2-1/2	2"	(50)	1/2"-13	4 ²³ / ₃₂ "	(119.8)	3 ³ / ₈ "	(85.7)	1200	(5.34)	45	(20.4)
200H-2 ¹ / ₂ -3/8	2 ¹ / ₂ "	(65)	3/8"-16	5 ⁵ / ₁₆ "	(134.9)	3 ²³ / ₃₂ "	(94.4)	1200	(5.34)	59	(26.7)
200H-2 ¹ / ₂ -1/2	2 ¹ / ₂ "	(65)	1/2"-13	5 ¹⁵ / ₃₂ "	(138.9)	3 ⁷ / ₈ "	(98.3)	1200	(5.34)	56	(25.4)
200H-3-3/8	3"	(75)	3/8"-16	5 ³ / ₄ "	(146.0)	3 ²⁷ / ₃₂ "	(97.6)	1200	(5.34)	63	(28.6)
200H-3-1/2	3"	(75)	1/2"-13	5 ⁷ / ₈ "	(148.1)	3 ³¹ / ₃₂ "	(100.8)	1200	(5.34)	60	(27.2)
200H-4-3/8	4"	(100)	3/8"-16	6 ⁷ / ₈ "	(174.6)	4 ⁷ / ₁₆ "	(112.7)	1200	(5.34)	76	(34.5)
200H-4-1/2	4"	(100)	1/2"-13	7 ¹ / ₃₂ "	(178.6)	4 ¹⁹ / ₃₂ "	(1116.7)	1200	(5.34)	73	(33.1)

Note:

Select trapeze pipe size based on section modulus required for span of trapeze per information provided in NFPA 13 (2002) Table 9.1.1.6.1 (a and b).

All sizes are UL Listed to support up to 8" pipe at max spacing per NFPA 13.

For 6" (150mm) and 8" (200mm) trapeze pipe, consult factory.

All dimensions in charts and on drawings are in inches. Dimensions shown in parentheses are in millimeters unless otherwise specified.

B3198H - Hinged Extension Split Pipe Clamp

Size Range: 3/8" (10mm) to 3" (80mm) pipe

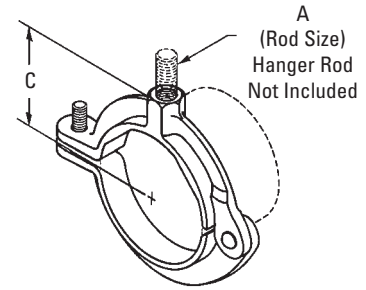
Material: Malleable Iron

Function: Designed for suspending non-insulated pipe horizontally or vertically.

Approvals: Conforms to Federal Specification WW-H-171E & A-A-1192A, Type 25 and Manufacturers Standardization Society ANSI/MSS SP-69 & SP-58, Type 12.

Standard Finish: Plain or Electro-Galvanized

Order By: Part number and finish.



Part No.	Pipe Size		Rod Size		C	Design Load		Approx. Wt./100		
	in.	(mm)	A			in.	(mm)	Lbs.	(kN)	Lbs.
B3198H-3/8	3/8"	(10)	3/8"-16		31/32"	(24.6)	180	(.80)	9	(4.1)
B3198H-1/2	1/2"	(15)	3/8"-16		11/16"	(27.0)	180	(.80)	12	(5.4)
B3198H-3/4	3/4"	(20)	3/8"-16		17/32"	(30.9)	180	(.80)	12	(5.4)
B3198H-1	1"	(25)	3/8"-16		111/32"	(34.1)	180	(.80)	13	(5.9)
B3198H-11/4	11/4"	(32)	3/8"-16		119/32"	(39.7)	180	(.80)	18	(8.1)
B3198H-11/2	11/2"	(40)	3/8"-16		123/32"	(43.6)	180	(.80)	21	(9.5)
B3198H-2	2"	(50)	3/8"-16		2"	(50.8)	180	(.80)	44	(19.9)
B3198H-21/2	21/2"	(65)	1/2"-13		211/32"	(59.5)	300	(1.33)	73	(33.1)
B3198H-3	3"	(80)	1/2"-13		223/32"	(69.0)	300	(1.33)	95	(43.1)



B3198R - Extension Split Pipe Clamp

Size Range: 3/8" (10mm) to 4" (100mm) pipe

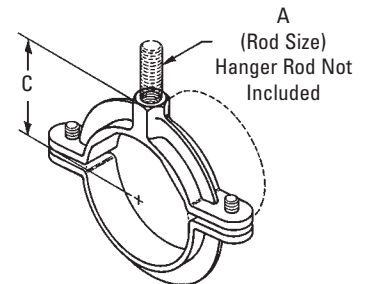
Material: Malleable Iron

Function: Designed for suspending non-insulated pipe horizontally or vertically.

Approvals: Conforms to Federal Specification WW-H-171E & A-A-1192A, Type 25 and Manufacturers Standardization Society ANSI/MSS SP-69 & SP-58, Type 12.

Standard Finish: Plain or Electro-Galvanized. Contact customer service for alternative finishes and materials.

Order By: Part number and finish.



Part No.	Pipe Size		Rod Thread Size		C	Design Load		Approx. Wt./100		
	in.	(mm)	A			in.	(mm)	Lbs.	(kN)	Lbs.
B3198R-3/8	3/8"	(10)	3/8"-16		31/32"	(24.6)	180	(.80)	12	(5.4)
B3198R-1/2	1/2"	(15)	3/8"-16		11/16"	(27.0)	180	(.80)	16	(7.2)
B3198R-3/4	3/4"	(20)	3/8"-16		17/32"	(30.9)	180	(.80)	18	(8.1)
B3198R-1	1"	(25)	3/8"-16		111/32"	(34.1)	180	(.80)	24	(10.9)
B3198R-11/4	11/4"	(32)	3/8"-16		119/32"	(39.7)	180	(.80)	29	(13.1)
B3198R-11/2	11/2"	(40)	3/8"-16		123/32"	(43.6)	180	(.80)	32	(14.5)
B3198R-2	2"	(50)	3/8"-16		2"	(50.8)	180	(.80)	39	(17.7)
B3198R-21/2	21/2"	(65)	1/2"-13		211/32"	(59.5)	300	(1.33)	115	(52.1)
B3198R-3	3"	(80)	1/2"-13		223/32"	(69.0)	300	(1.33)	140	(63.5)
B3198R-4	4"	(100)	1/2"-13		311/32"	(84.9)	300	(1.33)	160	(72.6)



All dimensions in charts and on drawings are in inches. Dimensions shown in parentheses are in millimeters unless otherwise specified.

Pipe Hangers

B3198HCT - Hinged Extension Split Pipe Clamp

Size Range: 1/2" (15mm) to 2" (50mm) copper tubing

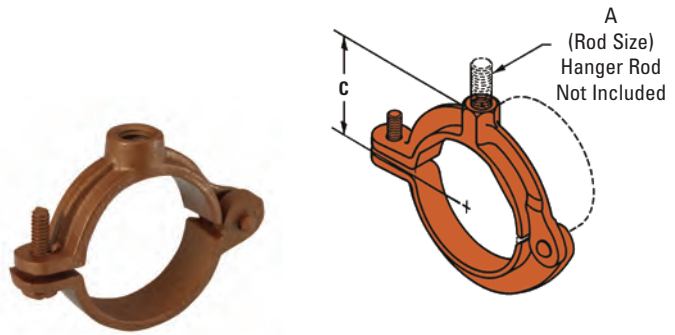
Material: Malleable Iron

Function: A rigid support to suspend tubing horizontally or vertically.

Approvals: Conforms to Federal Specification WW-H-171E & A-A-1192A, Type 25 and Manufacturers Standardization Society ANSI/MSS SP-69 & SP-58, Type 12.

Standard Finish: DURA-COPPER™

Order By: Part number and finish.



Part No.	Tubing Size	Rod Size	C	Design Load	Approx. Wt./100
	in. (mm)	A			
B3198HCT-1/2	1/2" (15)	3/8"-16	5/8" (15.9)	180 (.80)	8 (3.6)
B3198HCT-3/4	3/4" (20)	3/8"-16	13/16" (20.6)	180 (.80)	10 (4.5)
B3198HCT-1	1" (25)	3/8"-16	15/16" (23.8)	180 (.80)	10 (4.5)
B3198HCT-1 1/4	1 1/4" (32)	3/8"-16	1 1/8" (28.6)	180 (.80)	14 (6.3)
B3198HCT-1 1/2	1 1/2" (40)	3/8"-16	1 9/16" (39.7)	180 (.80)	18 (8.1)
B3198HCT-2	2" (50)	3/8"-16	1 7/8" (47.6)	180 (.80)	23 (10.4)

B3198RCT - Extension Split Pipe Clamp

Size Range: 1/2" (15mm) to 2" (50mm) copper tubing

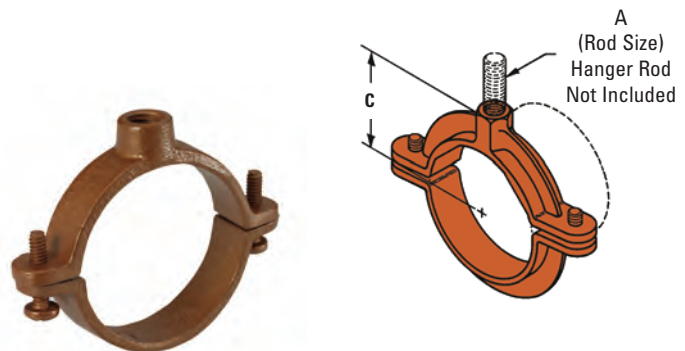
Material: Malleable Iron

Function: A rigid support to suspend tubing horizontally or vertically.

Approvals: Conforms to Federal Specification WW-H-171E & A-A-1192A, Type 25 and Manufacturers Standardization Society ANSI/MSS SP-69 & SP-58, Type 12.

Standard Finish: DURA-COPPER™

Order By: Part number and finish.



Part No.	Tubing Size	Rod Size	C	Design Load	Approx. Wt./100
	in. (mm)	A			
B3198RCT-3/8	3/8" (10)	3/8"-16	1 1/16" (17.5)	180 (.80)	12 (5.4)
B3198RCT-1/2	1/2" (15)	3/8"-16	1 1/16" (17.5)	180 (.80)	12 (5.4)
B3198RCT-3/4	3/4" (20)	3/8"-16	7/8" (22.2)	180 (.80)	14 (6.3)
B3198RCT-1	1" (25)	3/8"-16	1 1/16" (27.0)	180 (.80)	17 (7.7)
B3198RCT-1 1/4	1 1/4" (32)	3/8"-16	1 1/8" (28.6)	180 (.80)	17 (7.7)
B3198RCT-1 1/2	1 1/2" (40)	3/8"-16	1 5/16" (33.3)	180 (.80)	22 (10.0)
B3198RCT-2	2" (50)	3/8"-16	1 1/2" (38.1)	180 (.80)	26 (11.8)

All dimensions in charts and on drawings are in inches. Dimensions shown in parentheses are in millimeters unless otherwise specified.

B3175 - Ring and Bolt Hanger

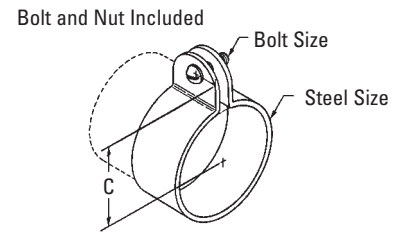
Size Range: 1/2" (15mm) to 6" (150mm) pipe

Material: Pre-Galvanized Steel

Function: Designed for suspending light-weight non-insulated pipe. (Use with B3222 eye socket or B3224 hanger adjuster).

Standard Finish: Pre-Galvanized

Order By: Part number and finish.



Part No.	Pipe Size		C		Bolt Size	Steel Size		Design Load		Approx. Wt./100	
	in.	(mm)	in.	(mm)		in.	(mm)	Lbs.	(kN)	Lbs.	(kg)
B3175-1/2	1/2"	(15)	1 1/16"	(27.0)	1/4"-20	18 Ga. x 7/8"	(1.2 x 22.2)	275	(1.22)	7.5	(3.4)
B3175-3/4	3/4"	(20)	1 3/16"	(30.2)	1/4"-20	18 Ga. x 7/8"	(1.2 x 22.2)	275	(1.22)	8.0	(3.6)
B3175-1	1"	(25)	1 5/16"	(33.3)	1/4"-20	18 Ga. x 7/8"	(1.2 x 22.2)	275	(1.22)	9.0	(4.1)
B3175-1 1/4	1 1/4"	(32)	1 1/2"	(38.1)	1/4"-20	18 Ga. x 7/8"	(1.2 x 22.2)	275	(1.22)	10.5	(4.7)
B3175-1 1/2	1 1/2"	(40)	1 5/8"	(41.3)	1/4"-20	18 Ga. x 7/8"	(1.2 x 22.2)	275	(1.22)	11.5	(5.2)
B3175-2	2"	(50)	1 13/16"	(46.0)	1/4"-20	18 Ga. x 7/8"	(1.2 x 22.2)	275	(1.22)	13.0	(5.9)
B3175-2 1/2	2 1/2"	(65)	2 5/16"	(58.7)	5/16"-18	16 Ga. x 1 1/4"	(1.5 x 31.7)	500	(2.22)	30.0	(13.6)
B3175-3	3"	(80)	2 5/8"	(66.7)	5/16"-18	16 Ga. x 1 1/4"	(1.5 x 31.7)	500	(2.22)	35.0	(15.9)
B3175-3 1/2	3 1/2"	(90)	2 7/8"	(73.0)	5/16"-18	16 Ga. x 1 1/4"	(1.5 x 31.7)	500	(2.22)	38.5	(17.4)
B3175-4	4"	(100)	3 1/8"	(79.4)	5/16"-18	16 Ga. x 1 1/4"	(1.5 x 31.7)	500	(2.22)	42.0	(19.0)
B3175-5	5"	(125)	3 5/8"	(92.1)	5/16"-18	16 Ga. x 1 1/4"	(1.5 x 31.7)	500	(2.22)	51.0	(23.1)
B3175-6	6"	(150)	4 3/16"	(106.4)	5/16"-18	16 Ga. x 1 1/4"	(1.5 x 31.7)	500	(2.22)	58.5	(26.5)

B3175CT - Ring and Bolt Hanger, DURA-COPPER™ Coated

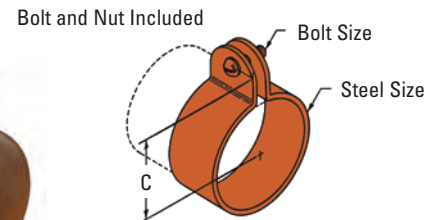
Size Range: 1/2" (15mm) to 4" (100mm) pipe

Material: Pre-Galvanized Steel

Function: Designed for suspending copper tubing allowing for vertical adjustment. (Use with B3222 eye socket or B3224 hanger adjuster).

Standard Finish: DURA-COPPER™

Order By: Part number and finish.



Part No.	Tubing Size		C		Bolt Size	Steel Size		Design Load		Approx. Wt./100	
	in.	(mm)	in.	(mm)		in.	(mm)	Lbs.	(kN)	Lbs.	(kg)
B3175CT-1/2	1/2"	(15)	1 5/16"	(33.3)	1/4"-20 x 1"	1/16" x 7/8"	(1.6 x 22.2)	200	(.89)	8	(3.6)
B3175CT-3/4	3/4"	(20)	1 3/8"	(34.9)	1/4"-20 x 1"	1/16" x 7/8"	(1.6 x 22.2)	200	(.89)	8	(3.6)
B3175CT-1	1"	(25)	1 3/16"	(30.2)	1/4"-20 x 1"	1/16" x 7/8"	(1.6 x 22.2)	200	(.89)	8	(3.6)
B3175CT-1 1/4	1 1/4"	(32)	1 5/16"	(33.3)	1/4"-20 x 1"	1/16" x 7/8"	(1.6 x 22.2)	200	(.89)	10	(4.5)
B3175CT-1 1/2	1 1/2"	(40)	1 1/2"	(38.1)	1/4"-20 x 1"	1/16" x 7/8"	(1.6 x 22.2)	200	(.89)	11	(5.0)
B3175CT-2	2"	(50)	1 15/16"	(49.2)	1/4"-20 x 1"	1/16" x 7/8"	(1.6 x 22.2)	200	(.89)	11	(5.0)
B3175CT-2 1/2	2 1/2"	(65)	2 3/16"	(55.6)	1/4"-20 x 1"	1/16" x 7/8"	(1.6 x 22.2)	200	(.89)	12	(5.4)
B3175CT-3	3"	(80)	2 11/16"	(68.3)	1/4"-20 x 1"	1/16" x 7/8"	(1.6 x 22.2)	200	(.89)	14	(6.3)
B3175CT-3 1/2	3 1/2"	(90)	2 15/16"	(74.6)	1/4"-20 x 1"	1/16" x 7/8"	(1.6 x 22.2)	200	(.89)	16	(7.2)
B3175CT-4	4"	(100)	3 3/16"	(81.0)	1/4"-20 x 1"	1/16" x 7/8"	(1.6 x 22.2)	200	(.89)	18	(8.1)

All dimensions in charts and on drawings are in inches. Dimensions shown in parentheses are in millimeters unless otherwise specified.

Pipe Hangers

B3190 Return Line Offset J-Hook

Size Range: 1/2" (15mm) to 8" (200mm) pipe

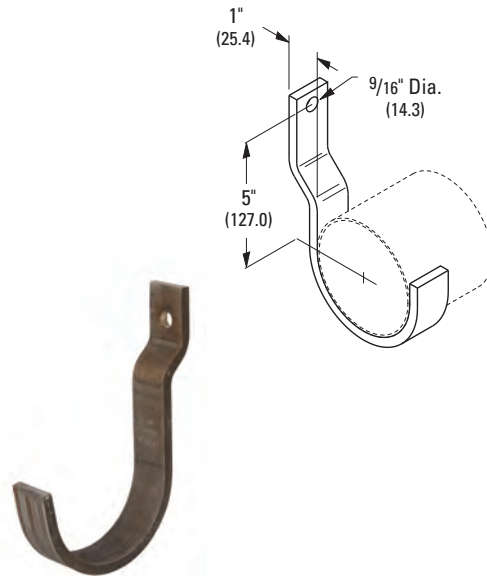
Material: Steel (Stainless steel available)

Function: Recommended for supporting light pipe runs with a 1" (25.4) offset from mounting surfaces.

Standard Finish: Plain or Electro-Galvanized. Contact customer service for alternative finishes and materials.

Order By: Part number and finish.

Part No.	Pipe Size in. (mm)	Design Load		Approx. Wt./100	
		Lbs.	(kN)	Lbs.	(kg)
B3190-1/2	1/2" (15)	200	(.89)	54	(24.5)
B3190-3/4	3/4" (20)	200	(.89)	55	(24.9)
B3190-1	1" (25)	200	(.89)	78	(35.4)
B3190-1 1/4	1 1/4" (32)	200	(.89)	85	(38.5)
B3190-1 1/2	1 1/2" (40)	200	(.89)	90	(40.8)
B3190-2	2" (50)	200	(.89)	98	(44.4)
B3190-2 1/2	2 1/2" (65)	350	(1.55)	126	(57.1)
B3190-3	3" (80)	350	(1.55)	136	(61.7)
B3190-3 1/2	3 1/2" (90)	350	(1.55)	147	(66.8)
B3190-4	4" (100)	450	(2.00)	235	(106.6)
B3190-5	5" (125)	450	(2.00)	350	(158.7)
B3190-6	6" (150)	450	(2.00)	383	(173.7)
B3190-8	8" (200)	450	(2.00)	605	(274.4)



B3191 Return Line Straight J-Hook

Size Range: 1/2" (15mm) to 8" (200mm) pipe

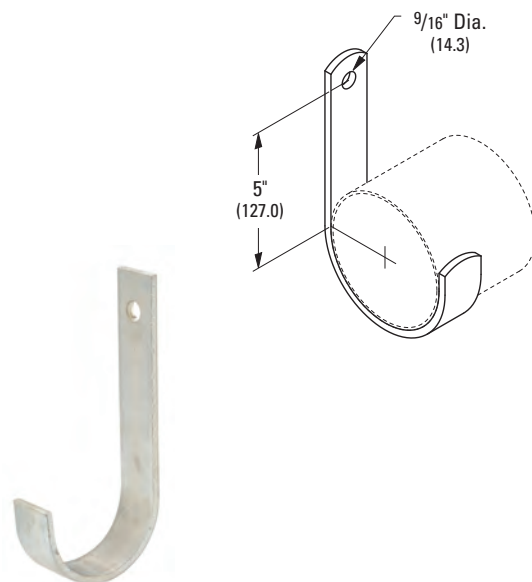
Material: Steel (Stainless steel available)

Function: Recommended for supporting light pipe runs flush with the mounting surfaces.

Standard Finish: Plain or Electro-Galvanized. Contact customer service for alternative finishes and materials.

Order By: Part number and finish.

Part No.	Pipe Size in. (mm)	Design Load		Approx. Wt./100	
		Lbs.	(kN)	Lbs.	(kg)
B3191-1/2	1/2" (15)	200	(.89)	54	(24.5)
B3191-3/4	3/4" (20)	200	(.89)	55	(24.9)
B3191-1	1" (25)	200	(.89)	76	(34.5)
B3191-1 1/4	1 1/4" (32)	200	(.89)	82	(37.2)
B3191-1 1/2	1 1/2" (40)	200	(.89)	87	(39.4)
B3191-2	2" (50)	200	(.89)	96	(43.5)
B3191-2 1/2	2 1/2" (65)	350	(1.55)	124	(56.2)
B3191-3	3" (80)	350	(1.55)	134	(60.8)
B3191-3 1/2	3 1/2" (90)	350	(1.55)	145	(65.8)
B3191-4	4" (100)	450	(2.00)	153	(69.4)
B3191-5	5" (125)	450	(2.00)	348	(157.8)
B3191-6	6" (150)	450	(2.00)	381	(172.8)
B3191-8	8" (200)	450	(2.00)	600	(272.1)



All dimensions in charts and on drawings are in inches. Dimensions shown in parentheses are in millimeters unless otherwise specified.

TOLCO™ Fig. 120RWA - (Model B) Retrofit Wrap Around “U” Hanger Clamp

Size Range: 1" (25mm) thru 6" (150mm) pipe

Material: Steel

Function: Designed to restrain movement of the pipe within standard U-hangers as required by NFPA 13. Where retrofit capability is crucial, the Fig. 120RWA is a labor efficient alternative to the standard B-Line series Fig. 120W wrap around U-hanger.

Features Installs easily by tightening two hex nuts. Features a unique bracing slot that locks onto a standard U-hanger to become a solid unit that will stabilize the pipe during seismic activity or sprinkler head activation. Designed to be used in retrofit or new construction applications. Will clamp to existing U-Hangers without restriction to leg angle.

Approvals: Underwriters Laboratories listed in the USA (**UL**) and Canada (**cUL**) as a restrainer. Included in our Seismic Restraints Catalog approved by the State of California Office of Statewide Health Planning and Development (**OSHPD**). For additional load, spacing and placement information relating to OSHPD projects, please refer to the B-Line series Seismic Restraint Systems Guidelines. NFPA 13 (2010) 9.3.6.3.

Finish: Plain and Galvanized. Contact customer service for alternative finishes and materials.

Order By: Part number, type numbers and pipe size

Ordering Note: Order by the following type and pipe size:

Type 1 — (1" (25mm) and 1 1/4" (32mm) pipe size)

Type 2 — (1 1/2" (40mm) and 2" (50mm) pipe size)

Type 3 — (2 1/2" (65mm) and 3" (80mm) pipe size)

Type 4 — (4" (100mm) pipe size)

Type 6 — (5" (125mm) and 6" (150mm) pipe size)

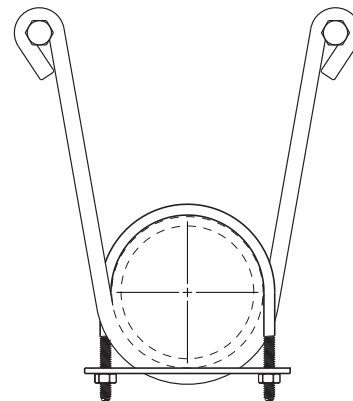
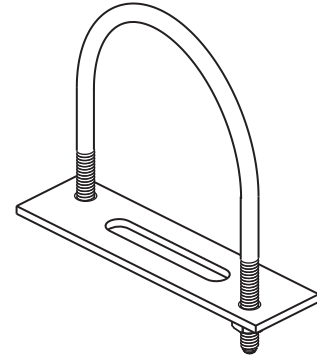
Important Note: The bracing slot feature is sized to fit the U-Hanger rod schedule as required by NFPA 13 as follows:

5/16" (7.9mm) rod for up to 2" (50mm) pipe

3/8" (9.5mm) rod for 2 1/2" (65mm) - 6" (160mm) pipe

For other rod size requirements consult factory.

Component of State of California OSHPD Approved Seismic Restraints System



Part No.	Type	Pipe Size in. (mm)
120RWA-TYPE1-1	1	1" (20)
120RWA-TYPE1-1 1/4	1	1 1/4" (25)
120RWA-TYPE2-1 1/2	2	1 1/2" (40)
120RWA-TYPE2-2	2	2" (50)
120RWA-TYPE3-2 1/2	3	2 1/2" (65)
120RWA-TYPE3-3	3	3" (80)
120RWA-TYPE4-3 1/2	4	3 1/2" (90)
120RWA-TYPE4-4	4	4" (100)
120RWA-TYPE6-5	6	5" (125)
120RWA-TYPE6-6	6	6" (150)

All dimensions in charts and on drawings are in inches. Dimensions shown in parentheses are in millimeters unless otherwise specified.

Pipe Hangers

TOLCO™ Fig. 120 - "U" Hanger

Size Range: Size 3/4" (20mm) thru 8" (200mm) pipe

Material: Steel

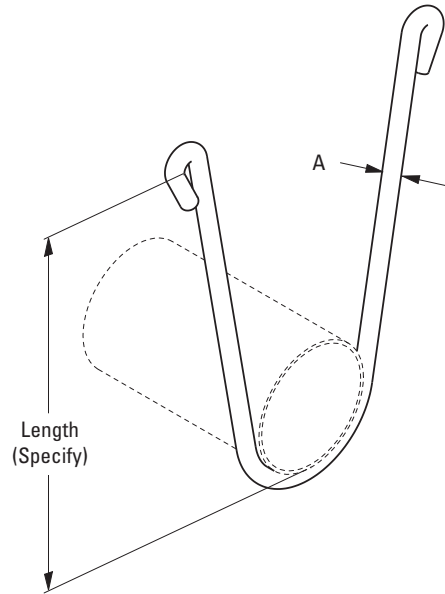
Function: Used to support piping from wood beams where no contraction is expected. Used extensively in automatic fire sprinkler systems.

Approvals: Meets or exceeds the requirements of National Fire Protection Association (NFPA), Pamphlet 13. Included in our Seismic Restraints Catalog approved by the State of California Office of Statewide Health Planning and Development (OSHPD). For additional load, spacing and placement information relating to OSHPD projects, please refer to the Seismic Restraint Systems Guidelines.

Maximum Temperature: 750°F (399°C)

Finishes: Plain, Electro Galvanized, Hot-Dip Galvanized, SS4 or SS6.

Order By: Part number, pipe size, length and finish



Part No.	Pipe Size in. (mm)	A in. (mm)	Fastener Size	Max. Rec. Load*** lbs. (kN)
120-3/4	3/4" (20)	5/16" (7.9)	16 x 2*	250 (1.11)
120-1	1" (25)	5/16" (7.9)	16 x 2*	250 (1.11)
120-1 1/4	1 1/4" (32)	5/16" (7.9)	16 x 2*	250 (1.11)
120-1 1/2	1 1/2" (40)	5/16" (7.9)	16 x 2*	250 (1.11)
120-2	2" (50)	5/16" (7.9)	16 x 2*	250 (1.11)
120-2 1/2	2 1/2" (65)	3/8" (9.5)	3/8 x 2 1/2**	320 (1.42)
120-3	3" (80)	3/8" (9.5)	3/8 x 2 1/2**	320 (1.42)
120-3 1/2	3 1/2" (90)	3/8" (9.5)	3/8 x 2 1/2**	560 (2.49)
120-4	4" (100)	3/8" (9.5)	1/2 x 3***	560 (2.49)
120-5	5" (125)	1/2" (12.7)	1/2 x 3***	560 (2.49)
120-6	6" (150)	1/2" (12.7)	1/2 x 3***	760 (3.38)
120-8	8" (200)	1/2" (12.7)	5/8 x 3***	-- (--)

* Drive Screw
 ** Lag Bolt
 *** With minimum safety factor of 5
 Fastener schedule per NFPA

All dimensions in charts and on drawings are in inches. Dimensions shown in parentheses are in millimeters unless otherwise specified.

TOLCO™ Fig. 120MJ - Mutt & Jeff “U” Hanger

Size Range: Size 3/4" (20mm) thru 8" (200mm) pipe

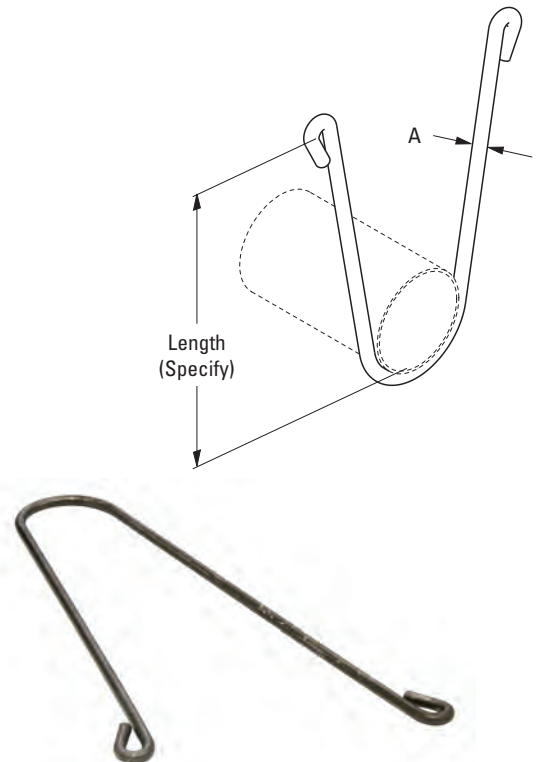
Material: Steel

Function: Used to support piping from wood beams where no contraction is expected. Used extensively in automatic fire sprinkler systems. Fig. 120MJ is used when the wood beam is on a diagonal.

Finishes: Plain, Electro Galvanized, Hot-Dip Galvanized, SS4 or SS6.

Order By: Part number, side length and finish

Part No.	Pipe Size	A		Fastener Size	Max. Rec. Load***
	in. (mm)	in. (mm)	in. (mm)		
120MJ-3/4	3/4" (20)	5/16" (7.9)	5/16" (7.9)	16 x 2*	250 (1.11)
120MJ-1	1" (25)	5/16" (7.9)	5/16" (7.9)	16 x 2*	250 (1.11)
120MJ-1 1/4	1 1/4" (32)	5/16" (7.9)	5/16" (7.9)	16 x 2*	250 (1.11)
120MJ-1 1/2	1 1/2" (40)	5/16" (7.9)	5/16" (7.9)	16 x 2*	250 (1.11)
120MJ-2	2" (50)	5/16" (7.9)	5/16" (7.9)	16 x 2*	250 (1.11)
120MJ-2 1/2	2 1/2" (65)	3/8" (9.5)	3/8" (9.5)	3/8 x 2 1/2**	320 (1.42)
120MJ-3	3" (80)	3/8" (9.5)	3/8" (9.5)	3/8 x 2 1/2**	320 (1.42)
120MJ-3 1/2	3 1/2" (90)	3/8" (9.5)	3/8" (9.5)	3/8 x 2 1/2**	560 (2.49)
120MJ-4	4" (100)	3/8" (9.5)	3/8" (9.5)	1/2 x 3**	560 (2.49)
120MJ-5	5" (125)	1/2" (12.7)	1/2" (12.7)	1/2 x 3**	560 (2.49)
120MJ-6	6" (150)	1/2" (12.7)	1/2" (12.7)	1/2 x 3**	760 (3.38)
120MJ-8	8" (200)	1/2" (12.7)	1/2" (12.7)	5/8 x 3**	-- (--)



- * Drive Screw
- ** Lag Bolt
- *** With minimum safety factor of 5
Fastener schedule per NFPA

TOLCO™ Fig. 120W - Wrap Around “U” Hanger

Size Range: Size 3/4" (20mm) thru 2" (50mm) pipe

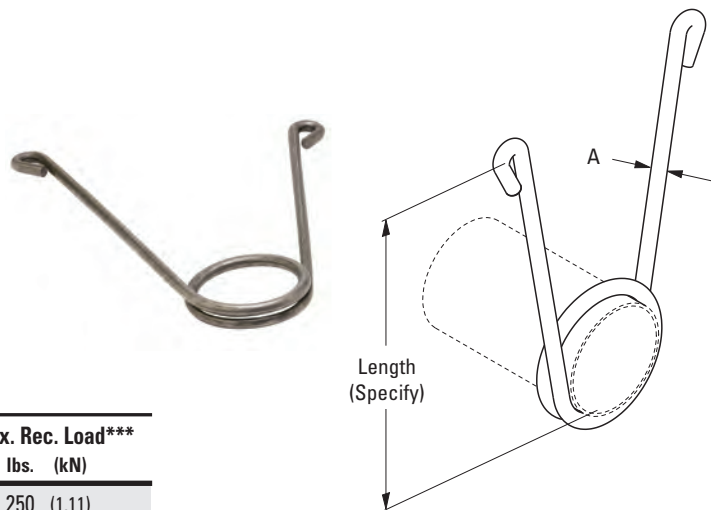
Material: Steel

Function: Required for automatic fire protection agencies to be used on the end of branch lines to prevent pipe from whipping vertical and striking ceiling or beam.

Finishes: Plain, Electro Galvanized, Hot-Dip Galvanized, SS4 or SS6.

Order By: Part number, side length and finish

Part No.	Pipe Size	A		Fastener Size	Max. Rec. Load***
	in. (mm)	in. (mm)	in. (mm)		
120W-3/4	3/4" (20)	5/16" (7.9)	5/16" (7.9)	16 x 2*	250 (1.11)
120W-1	1" (25)	5/16" (7.9)	5/16" (7.9)	16 x 2*	250 (1.11)
120W-1 1/4	1 1/4" (32)	5/16" (7.9)	5/16" (7.9)	16 x 2*	250 (1.11)
120W-1 1/2	1 1/2" (40)	5/16" (7.9)	5/16" (7.9)	16 x 2*	250 (1.11)
120W-2	2" (50)	5/16" (7.9)	5/16" (7.9)	16 x 2*	250 (1.11)



- * Drive Screw
- *** With minimum safety factor of 5
Fastener schedule per NFPA

All dimensions in charts and on drawings are in inches. Dimensions shown in parentheses are in millimeters unless otherwise specified.

Pipe Hangers

B3262 Light Duty Spring Hanger

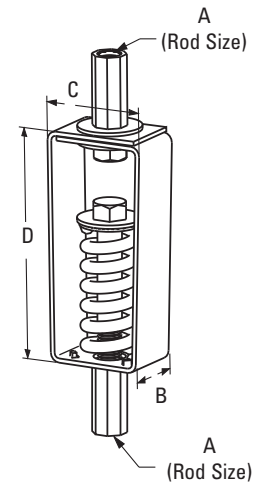
Rod Size Range: 3/8"-16 to 3/4"-10

Material: Steel

Service: Designed for use with a light piping system where vertical movement does not exceed 1 1/4" (31.7).

Approvals: Conforms to Federal Specification WW-H-171E & A-A-1192A, Type 49 and Manufacturers Standardization Society ANSI/MSS SP-69 & SP-58, Type 48.

Order By: Part number.



Part No.	Rod Size A	Spring Color	B In (mm)	C In (mm)	D In (mm)
B3262-3/8	3/8"-16	Brown	2" (50.8)	2 3/4" (69.8)	4 1/2" (114.3)
B3262-1/2	1/2"-13	Black	2" (50.8)	2 3/4" (69.8)	4 1/2" (114.3)
B3262-5/8	5/8"-11	Red	2" (50.8)	2 3/4" (69.8)	4 1/2" (114.3)
B3262-3/4	3/4"-10	Orange	2" (50.8)	3" (76.2)	7" (177.8)

Part No.	Spring Deflection	Rated Load		Approx. Wt./100
	In (mm)	Lbs.	(kN)	Lbs. (kg)
B3262-3/8	1.20 (30.1)	100-150	(.44 - .67)	390 (176.2)
B3262-1/2	1.10 (27.7)	150-250	(.67 - 1.11)	410 (186.0)
B3262-5/8	1.00 (25.4)	350-450	(1.56 - 2.00)	470 (213.2)
B3262-3/4	1.20 (30.1)	600-750	(2.67 - 3.34)	1240 (562.6)

BH-2-4, BH-5-8, BH-9-12 - Parallel Strap Hangers BH-2-4-R, BH-5-8-R, BH-9-12-R - Right Angle Strap Hangers

Material: Steel

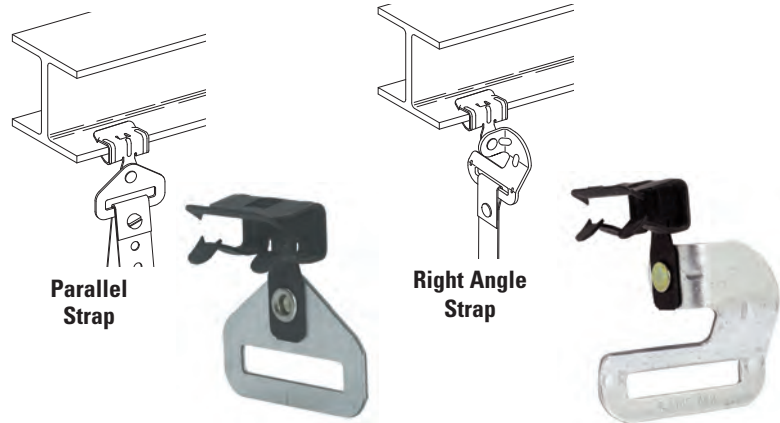
Function: The Parallel Strap Hanger series is designed for suspending up to 1" (50.8) wide straps parallel to beams.

The Right Angle Strap Hanger series is designed for suspending up to 1" (50.8) wide straps at right angle to the beam.

Note: Install clip to beam with hammer.

Standard Finish: Zinc Phosphate

Order By: Part number and finish.



Part No. Parallel	Part No. Right Angle	Flange Thickness		Maximum Load Lbs. (kN)	Approx. Wt./100	
		In.	(mm)		BH-2-12 Lbs. (kg)	BH-2-12R Lbs. (kg)
BH-2-4	BH-2-4-R	1/8" to 1/4"	(3.2 to 6.3)	200 (.89)	4.5 (2.0)	6.0 (2.7)
BH-5-8	BH-5-8-R	5/16" to 1/2"	(7.9 to 12.7)	200 (.89)	5.0 (2.3)	6.5 (2.9)
BH-9-12	BH-9-12-R	9/16" to 3/4"	(14.3 to 19.0)	200 (.89)	5.5 (2.5)	7.0 (3.2)

Design Load is a static straight down load.

BL1400 - Hanger

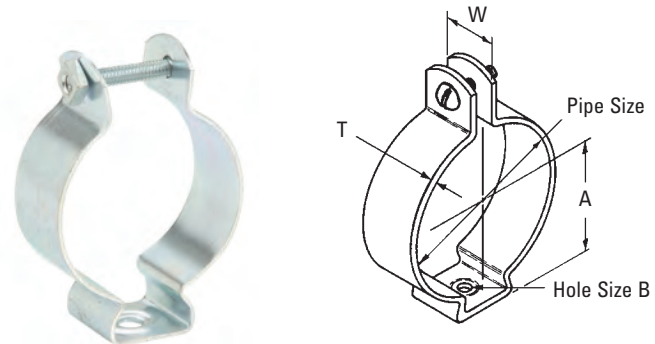
Size Range: 1/2" (15mm) to 4" (100mm) pipe

Material: Steel

Function: Designed to support or suspend light duty stationary pipe runs.

Standard Finish: Electro-Galvanized.
Also available in Stainless Steel Type 304 (SS4)

Order By: Part number.



Part No.	Pipe Size	A		B		T		W		Approx. Wt./100 Lbs. (kg)
	In. (mm)	In.	(mm)	In.	(mm)	In.	(mm)	In.	(mm)	
BL1400	1/2" (15)	29/32"	(23.0)	9/32"	(7.1)	16 Ga.	(1.5)	3/4"	(19.0)	6 (2.7)
BL1410	3/4" (20)	31/32"	(24.6)	9/32"	(7.1)	16 Ga.	(1.5)	3/4"	(19.0)	7 (3.2)
BL1420	1" (25)	1 1/4"	(31.7)	9/32"	(7.1)	16 Ga.	(1.5)	3/4"	(19.0)	8 (3.6)
BL1430	1 1/4" (32)	1 13/32"	(35.7)	9/32"	(7.1)	18 Ga.	(1.5)	7/8"	(22.2)	10 (4.5)
BL1440	1 1/2" (40)	5 5/8"	(41.3)	1 1/32"	(8.7)	16 Ga.	(1.5)	1"	(25.4)	17 (7.7)
BL1450	2" (50)	1 7/8"	(47.6)	1 1/32"	(8.7)	16 Ga.	(1.5)	1 1/4"	(31.7)	25 (11.3)
BL1460	2 1/2" (65)	2 1/16"	(52.4)	1 1/32"	(8.7)	16 Ga.	(1.5)	1 1/4"	(31.7)	26 (11.8)
BL1470	3" (80)	2 1/2"	(63.5)	1 1/32"	(8.7)	16 Ga.	(1.5)	1 1/4"	(31.7)	33 (14.9)
BL1480	3 1/2" (90)	2 3/4"	(69.8)	1 1/32"	(8.7)	16 Ga.	(1.5)	1 1/4"	(31.7)	36 (16.3)
BL1490	4" (100)	3 1/2"	(88.9)	1 1/32"	(8.7)	16 Ga.	(1.5)	1 1/4"	(31.7)	40 (18.1)

Designed for positioning only, no load rating.

All dimensions in charts and on drawings are in inches. Dimensions shown in parentheses are in millimeters unless otherwise specified.