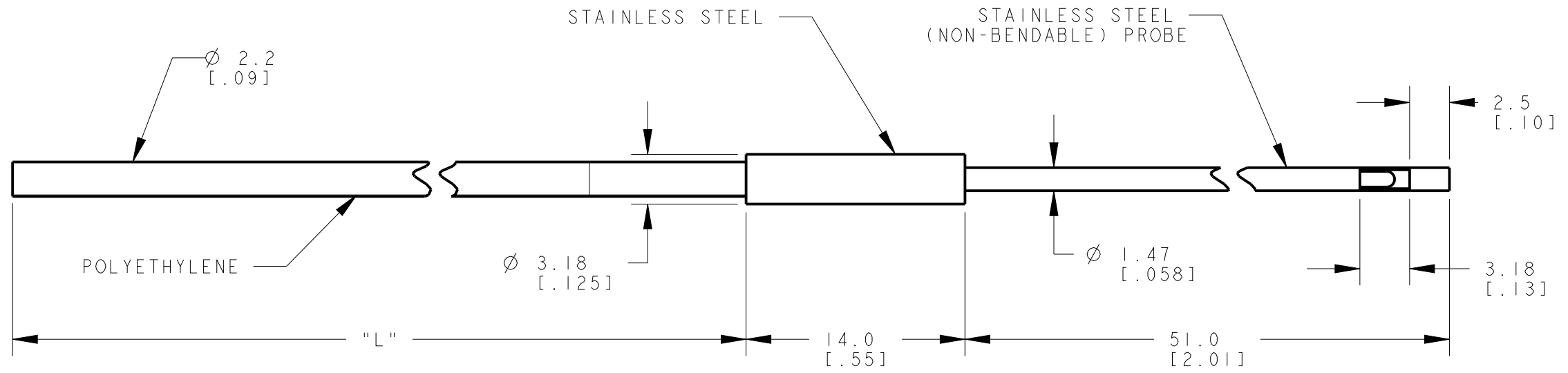
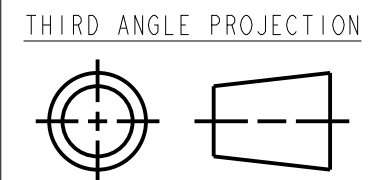


MODEL NO.	"L"	P/N
PIPS450U	15240 [600]	56052
PIPS430U	10000 [394]	38706
PIPS46U	2000 [79]	35039



NOTES:  
 1. ALL DIMENSIONS ARE MILLIMETERS [INCHES] UNLESS OTHERWISE NOTED.  
 2. REFER TO "www.bannerengineering.com" FOR ADDITIONAL DATA AND SPECIFICATIONS.

This drawing is the property of BANNER ENGINEERING CORP. Any use or reproduction, in any form, without prior written permission of Banner is prohibited. © 2015 Banner Engineering Corp.



		BANNER ENGINEERING CORP.	
		www.bannerengineering.com	
TITLE			
<b>PIPS4 SERIES UNTERMINATED</b>			
SIZE	DRAWING NO.	REV.	
B	<b>188722</b>	<b>A</b>	
SCALE	SHEET		CREO
3:1	1 OF 1		