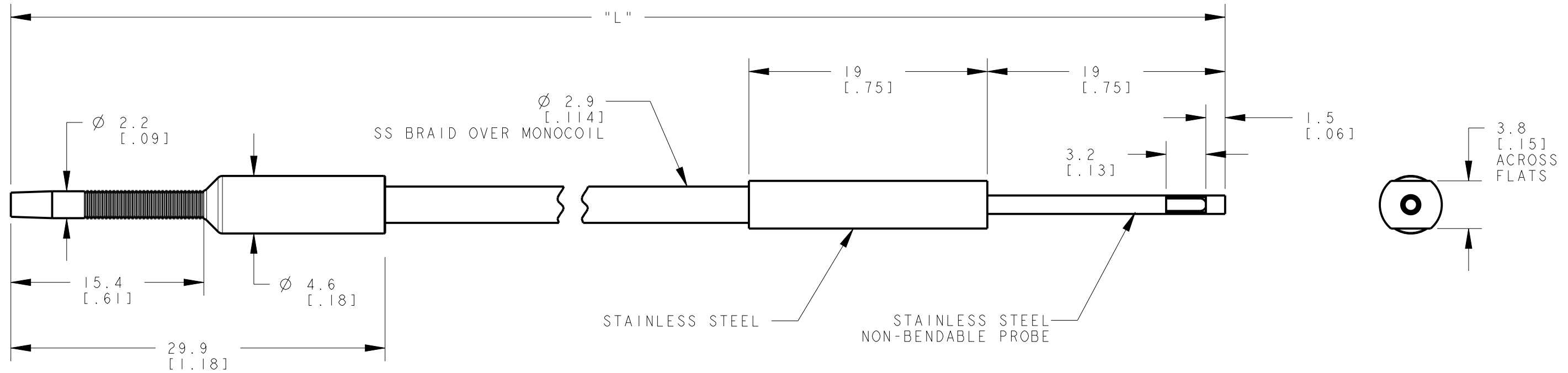
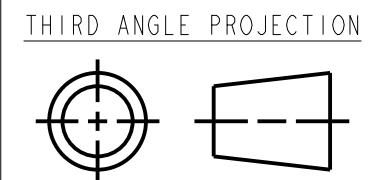


8	7	6	5	4	3	2	1
MODEL NO.	"L"	P/N					
PIPS49TMB5MFF	2743 [108]	81873					



NOTES:
 1. ALL DIMENSIONS ARE MILLIMETERS [INCHES] UNLESS OTHERWISE NOTED.
 2. REFER TO "www.bannerengineering.com" FOR ADDITIONAL DATA AND SPECIFICATIONS.

This drawing is the property of BANNER ENGINEERING CORP. Any use or reproduction, in any form, without prior written permission of Banner is prohibited. © 2015 Banner Engineering Corp.



		BANNER ENGINEERING CORP. www.bannerengineering.com	
TITLE			
PIPS4 SERIES TERMINATED STEEL SKIN			
SIZE	DRAWING NO.	REV.	
B	188696	A	
SCALE	SHEET		CREO
3:1	1 OF 1		