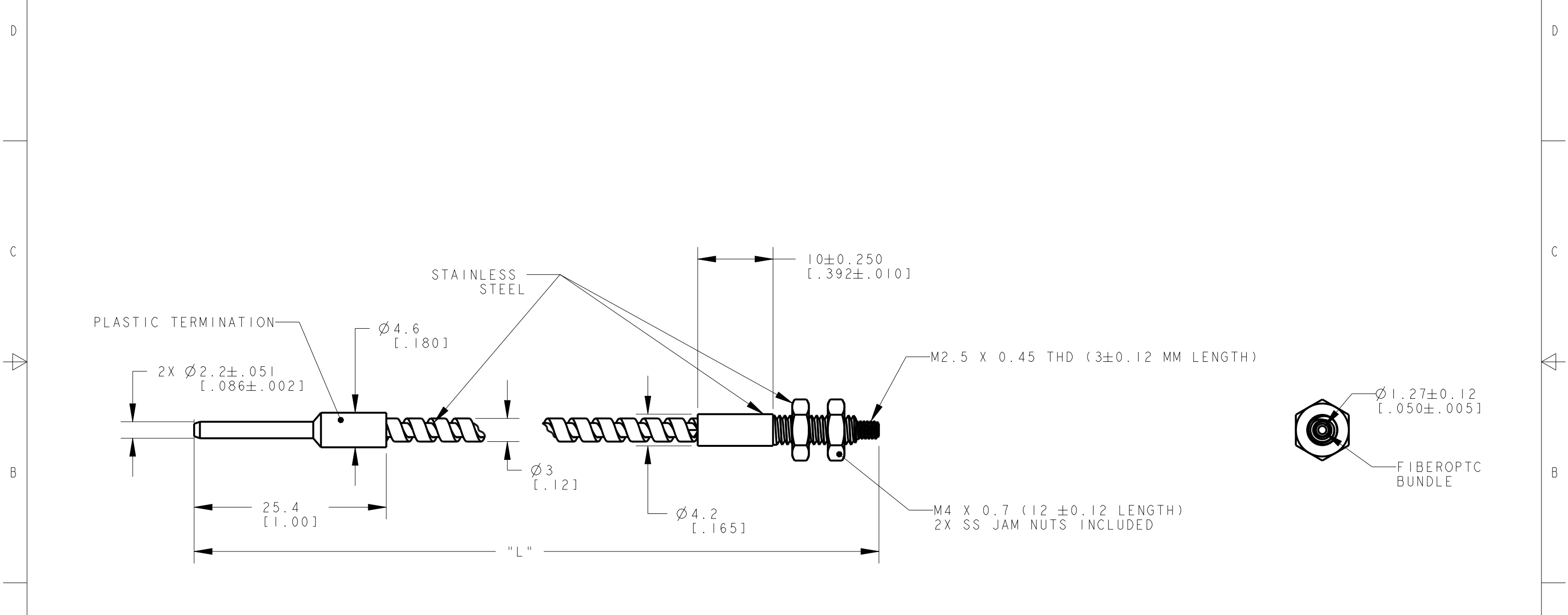


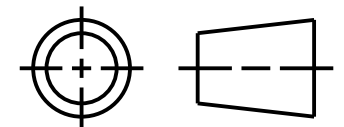
8	7	6	5	4	3	2	1
MODEL NO.	"L"	P/N	NOTES:				
IMT.7532.9S-HT	10033 [395]	801393	1. THIS ASSEMBLY CONSTRUCTED WITH EPOXY WHICH HAS A				
IMT.756.6S-HT	2000 [79]	64398	MAXIMUM OPERATING TEMPERATURE OF 315°C [600°F]				



NOTES:  
 1. ALL DIMENSIONS ARE MILLIMETERS [INCHES] UNLESS OTHERWISE NOTED.  
 2. REFER TO "www.bannerengineering.com" FOR ADDITIONAL DATA AND SPECIFICATIONS.

This drawing is the property of BANNER ENGINEERING CORP. Any use or reproduction, in any form, without prior written permission of Banner is prohibited. © 2015 Banner Engineering Corp.

THIRD ANGLE PROJECTION



		<b>BANNER ENGINEERING CORP.</b> www.bannerengineering.com	
TITLE			
<b>IMT.75 SS T5 TERMINUS SS M4/M2.5</b>			
SIZE	DRAWING NO.	REV.	
B	<b>161945</b>	<b>A</b>	
SCALE	SHEET		CREO
2:1	1 OF 1		