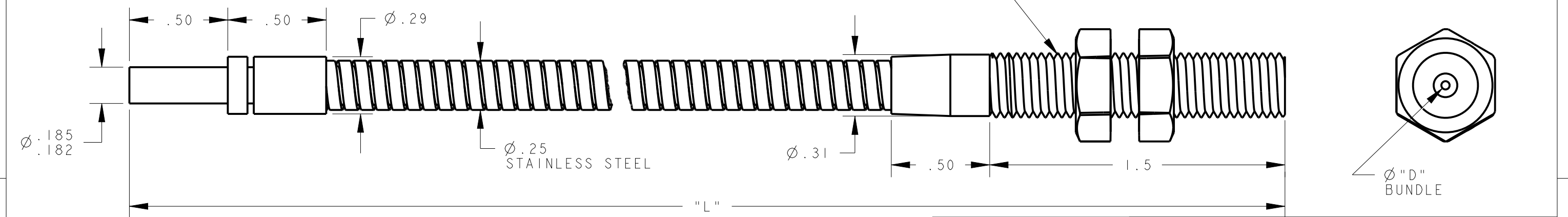


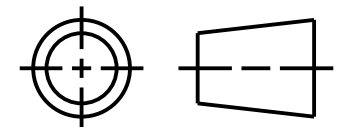
MODEL NO.	"L"	"D"	P/N
IT.752S	24	.046	20179
IT.755S	60	.046	20958
IT11.3S	15	.062	17338
IT11.5S	18	.062	17339
IT12S	24	.062	17340
IT13S	36	.062	17342
IT14S	48	.062	20537
IT15S	60	.062	17343
IT16S	72	.062	17894
IT18S	96	.062	17372
IT2.5S	6	.125	20427
IT21.2S	14	.125	20796
IT21.3S	15	.125	20549
IT21.5S	18	.125	17395
IT210S	120	.125	17345
IT211S	132	.125	20467
IT212S	144	.125	17347
IT23S	36	.125	17355



NOTES:
 1. ALL DIMENSIONS ARE MILLIMETERS [INCHES] UNLESS OTHERWISE NOTED.
 2. REFER TO "www.bannerengineering.com" FOR ADDITIONAL DATA AND SPECIFICATIONS.

This drawing is the property of BANNER ENGINEERING CORP. Any use or reproduction, in any form, without prior written permission of Banner is prohibited. © 2015 Banner Engineering Corp.

THIRD ANGLE PROJECTION



		BANNER ENGINEERING CORP.	
		www.bannerengineering.com	
TITLE			
IT2 SERIES SS TERMINATED			
SIZE	DRAWING NO.	REV.	
B	161911	A	
SCALE	SHEET		CREO
2:1	1 OF 2		

8				7				6				5				4				3				2				1							
MODEL NO.	"L"	"D"	P/N	MODEL NO.	"L"	"D"	P/N	MODEL NO.	"L"	"D"	P/N	MODEL NO.	"L"	"D"	P/N	MODEL NO.	"L"	"D"	P/N	MODEL NO.	"L"	"D"	P/N	MODEL NO.	"L"	"D"	P/N	MODEL NO.	"L"	"D"	P/N				
IT110S	120	.062	22864	IT22.29S	27.5	.125	17920																												
IT22.7S	32	.125	22882	IT1.5S	6	.062	00000																												
IT24.6S	55	.125	22883	IT11S	12	.062	22321																												
IT25.4S	65	.125	22884	IT228S	336	.125	22465																												
IT221S	252	.125	00000	IT120S	240	.062	22539																												
IT.754.5S	54	.046	23452	IT2.9S	11	.125	22839																												
IT.754S	48	.046	23591	IT1.53S	36	.090	23214																												
IT114S	168	.062	00000																																
IT116S	192	.062	00000																																
IT.756.7S	80	.046	00000																																
IT.442S	24	.027	23729																																
IT260S	720	.125	00000																																
IT.756S	72	.046	23837																																
IT21.33S	16	.125	24052																																
IT1.55S	60	.090	24122																																
IT240S	480	.125	24280																																
IT236S	432	.125	24336																																
IT116.5S	198	.062	00000																																
IT216.5S	198	.125	24599																																
IT224S	288	.125	24703																																
IT223S	276	.125	24854																																
IT.7510S	120	.046	00000																																
IT.7520S	204	.046	00000																																
IT19S	108	.062	76143																																
IT213S	156	.125	17348																																
IT214S	168	.125	17826																																
IT215S	180	.125	20124																																
IT216S	192	.125	17349																																
IT217S	204	.125	17962																																
IT21S	12	.125	17851																																

NOTES:
1. ALL DIMENSIONS ARE MILLIMETERS [INCHES] UNLESS OTHERWISE NOTED.
2. REFER TO "www.bannerengineering.com" FOR ADDITIONAL DATA AND SPECIFICATIONS.

This drawing is the property of BANNER ENGINEERING CORP. Any use or reproduction, in any form, without prior written permission of Banner is prohibited. © 2015 Banner Engineering Corp.

BANNER BANNER ENGINEERING CORP.
www.bannerengineering.com

TITLE
IT2 SERIES SS TERMINATED

SIZE B DRAWING NO. **161911** REV. **A**

SCALE 2:1 SHEET 2 OF 2 CREO

