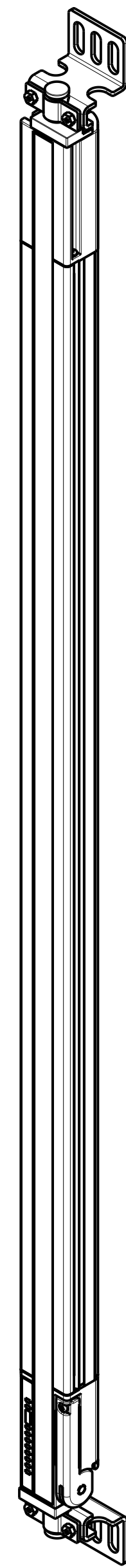
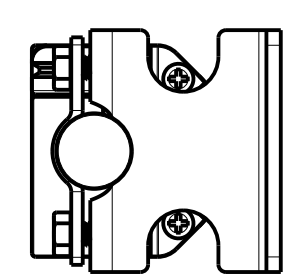
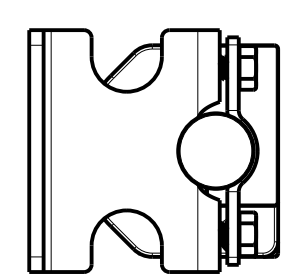
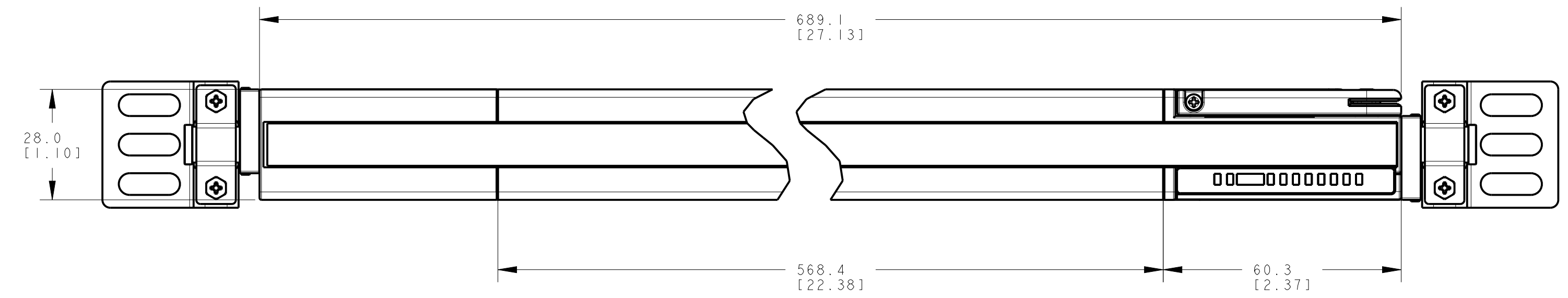
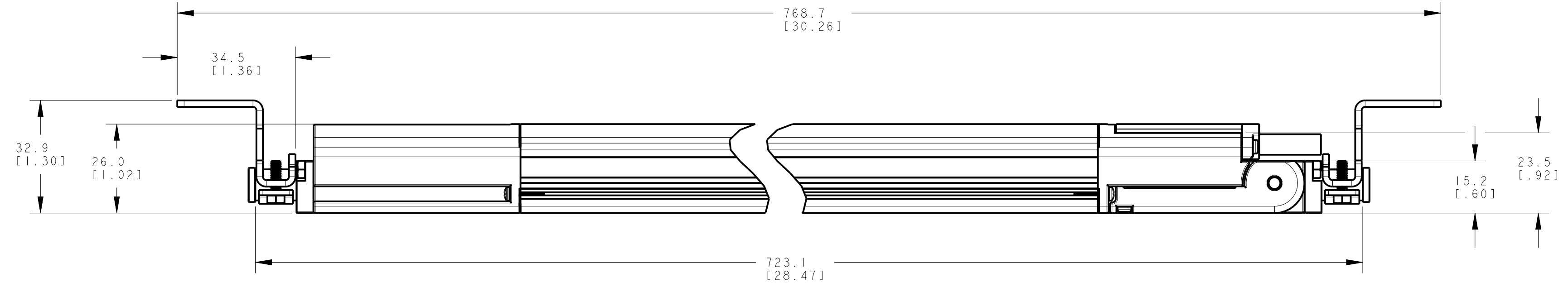
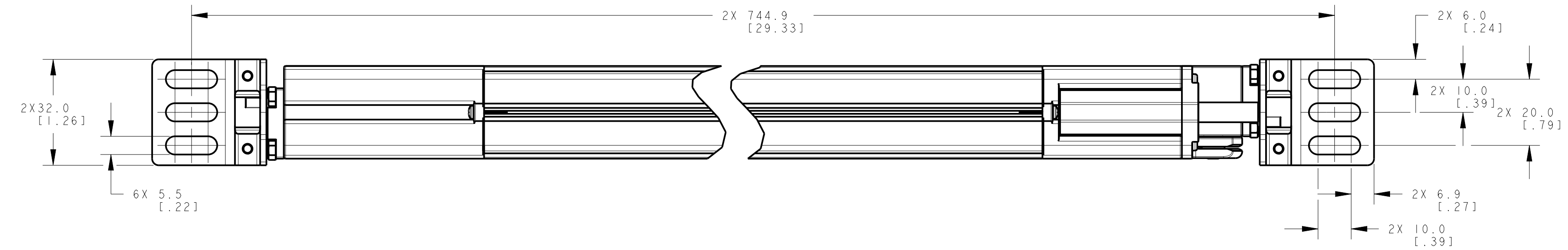


8 7 6 5 4 3 2 1



ISOMETRIC VIEW
SCALE 1:2



NOTES:
1. ALL DIMENSIONS ARE MILLIMETERS [INCHES] UNLESS OTHERWISE NOTED.
2. REFER TO "www.bannerengineering.com" FOR ADDITIONAL DATA AND SPECIFICATIONS.

8 7 6 5 4 3 2 1

This drawing is the property of BANNER ENGINEERING CORP. Any use or reproduction in any form, without prior written permission of Banner is prohibited.
© 2015 Banner Engineering Corp.
THIRD ANGLE PROJECTION

| | |
|---------------------------------------------------------------------|------------------------------|
| BANNER BANNER ENGINEERING CORP. www.bannerengineering.com | |
| TITLE EZ-SCREEN LP, SLP... 690mm | |
| SIZE D | DRAWING NO. 141890 |
| SCALE 1:1 | REV. A |
| SHEET 1 OF 1 | |

CREO