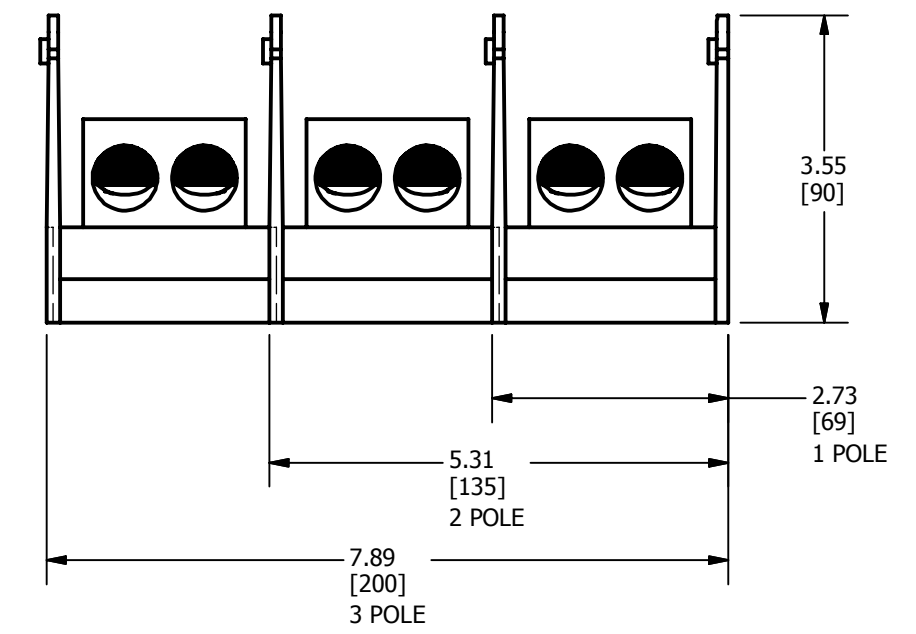
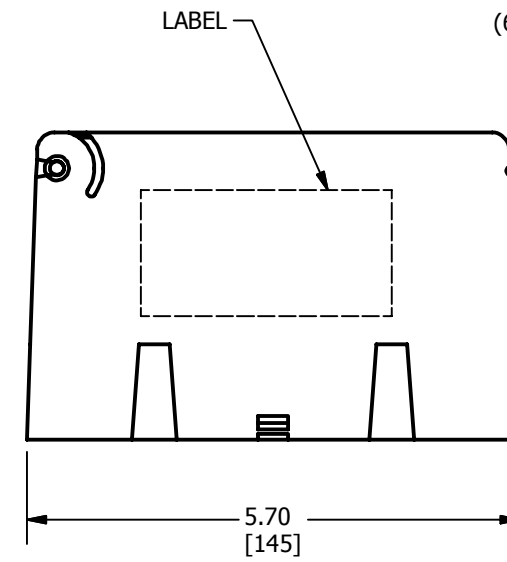
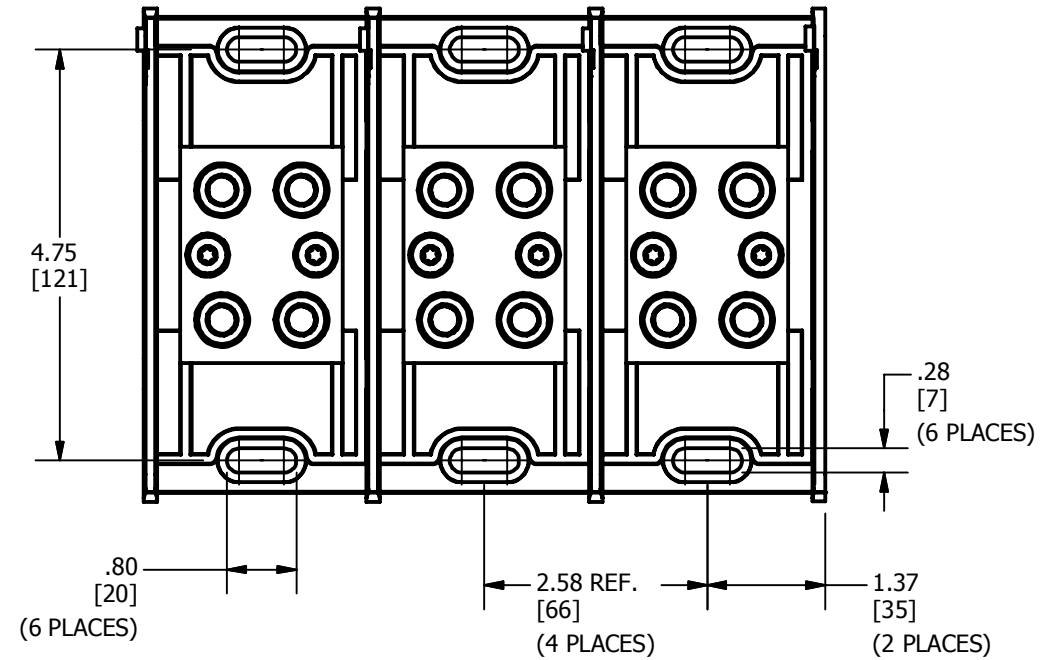


CAT. NO.	WIRE RANGE		OPENINGS PER POLE		AMP RATING (PER POLE)	HEX. SIZE		RECOMMENDED TORQUE (in/lb)		ADDER CAT. NO.
	RUN	TAP	RUN	TAP		RUN	TAP	RUN	TAP	
BDBLHC-16-350-1	AWG 6 - 350 kcmil	AWG 14 - 2/0	1	6	310	5/16	3/16	375	120	BDALHC-16-350
BDBLHC-16-350-2										
BDBLHC-16-350-3										
BDBLHC-16-500-1	AWG 4 - 500 kcmil	AWG 14 - 2/0	1	6	380	7/16	3/16	500	120	BDALHC-16-500
BDBLHC-16-500-2										
BDBLHC-16-500-3										
BDBLHC-22-350-1	AWG 6 - 350 kcmil	AWG 6 - 350 kcmil	2	2	620	5/16	5/16	275	275	BDALHC-22-350
BDBLHC-22-350-2										
BDBLHC-22-350-3										
BDBLHC-22-500-1	AWG 4 - 500 kcmil	AWG 4 - 500 kcmil	2	2	760	7/16	7/16	500	500	BDALHC-22-500
BDBLHC-22-500-2										
BDBLHC-22-500-3										
BDBLHC-26-350-1	AWG 6 - 350 kcmil	AWG 14 - 2/0	2	6	620	5/16	3/16	275	120	BDALHC-26-350
BDBLHC-26-350-2										
BDBLHC-26-350-3										
BDBLHC-26-500-1	AWG 4 - 500 kcmil	AWG 14 - 2/0	2	6	760	7/16	3/16	500	120	BDALHC-26-500
BDBLHC-26-500-2										
BDBLHC-26-500-3										
BDBLHC-112-350-1	AWG 6 - 350 kcmil	AWG 14 - 4	1	12	310	5/16	SLOT	275	40	BDALHC-112-350
BDBLHC-112-350-2										
BDBLHC-112-350-3										
BDBLHC-212-500-1	AWG 4 - 500 kcmil	AWG 14 - 4	2	12	760	7/16	SLOT	500	40	BDALHC-212-500
BDBLHC-212-500-2										
BDBLHC-212-500-3										
BDBLHC-11-500-1	AWG 4 - 500 kcmil	AWG 4 - 500 kcmil	1	1	380	7/16	7/16	500	500	BDALHC-11-500
BDBLHC-11-500-2										
BDBLHC-11-500-3										
BDBLHC-22-600-1	AWG 2 - 600 kcmil	AWG 2 - 600 kcmil	2	2	840	1/2	1/2	600	600	--
BDBLHC-22-600-2										
BDBLHC-22-600-3										
BDBLHC-24-500-1	AWG 4 - 500 kcmil	AWG 6 - 4/0	2	4	760	7/16	7/32	500	150	BDALHC-24-500
BDBLHC-24-500-2										
BDBLHC-24-500-3										

REV	DATE	DESCRIPTION	ECO	BY	C'H'K.
G	03/16/2015	REMOVED CAT. # BDBLHC-44-600-1	39544	BSB	RG



- NOTES:**
- MATERIAL : CONNECTOR BODY : HIGHLY CONDUCTIVE TIN-PLATED ALUMINUM. INSULATOR : GLASS FILLED POLYCARBONATE.
 - UL LISTED TO UL1953, CSA CERTIFIED CLASS 6228, AND CLASS 3211. MEETS SPACING REQUIREMENTS FOR BRANCH AND FEEDER CIRCUITS, UL508A. RoHS COMPLIANT.
 - SCCR 100KA WITH PROPER FUSING.
 - OPTIONAL SAFETY COVER : POLYCARBONATE, 1 PER POLE ORDER SEPERATLY CATALOG NO. BDBLHCCOVER.
 - DIMENSIONS IN BRACKETS [] ARE IN MILLIMETERS ROUNDED OFF TO THE NEAREST MILLIMETER, UNLESS OTHERWISE SPECIFIED AND ARE FOR REFERENCE ONLY.

TO ORDER BURNDY® PRODUCTS CALL		VERSI-POLE™	
UNITED STATES 1-800-346-4175 (LONDONDERRY, NH)		ITEM NO: N/A	
CANADA: 1-800-361-6975 (QUEBEC) 1-800-387-6487 (ALL OTHER PROVINCES)		CAT. NO: SEE TABLE	
FOR PRODUCT INFO: http://www.burndy.com		DRAWN BY: PARTHIBAN B 2/7/2013	
		CHECKER: T REYNOLDS 4/11/2013	
		DSN APRVL: T REYNOLDS 4/11/2013	
		MFG APRVL: --	
		QA APRVL: C KOWALCZYK 4/12/2013	
		MKT APRVL: P KEENAN 4/16/2013	
		PROD FAM: --	
		DRAWING NO	
		50018991	
		REV	
		G	
		SHEET 1 OF 1	