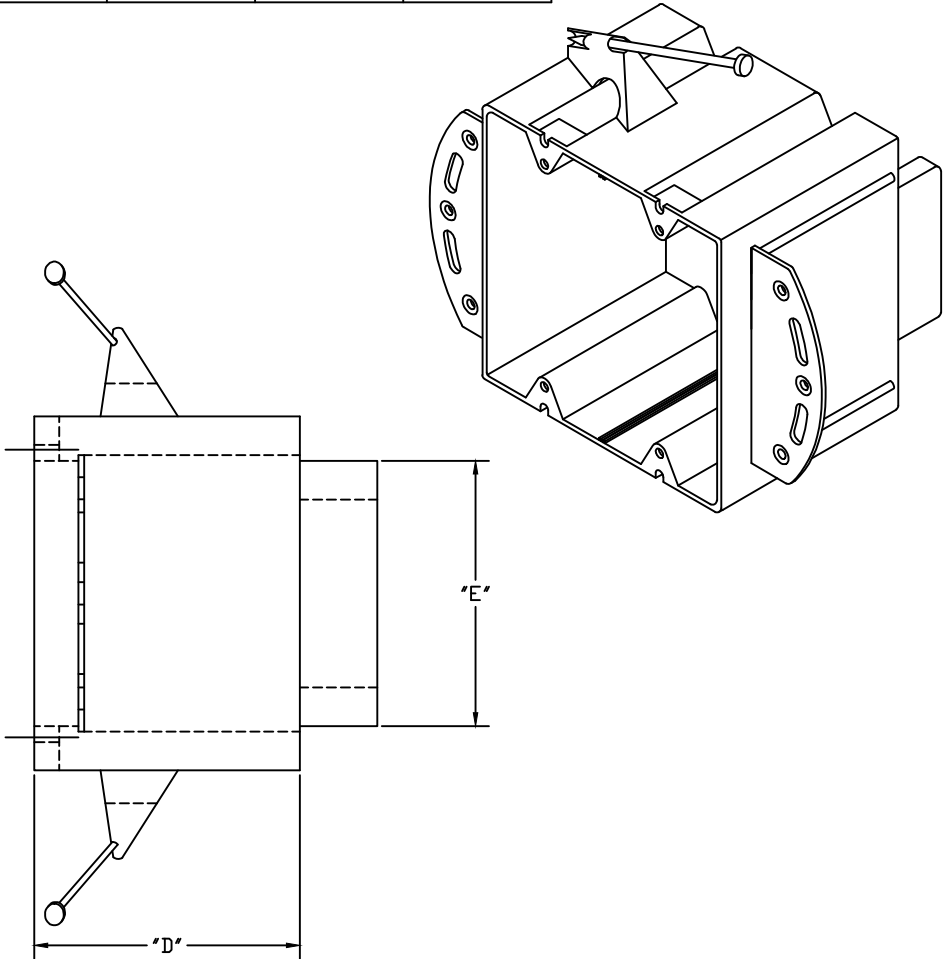
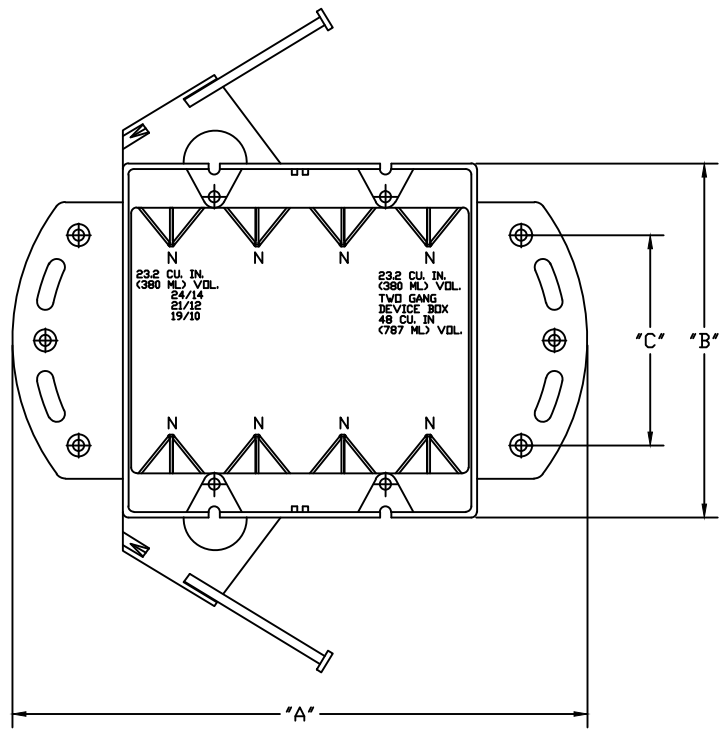


PART NUMBER	SIZE	"A"	"B"	"C"	"D"	"E"
EZ48DN	3 7/8" X 3 7/8" X 3 7/8" Enhanced angled nails for quick mounting between studs eight clamps	6 1/16"	4"	2 5/8"	3"	2 7/8"



UL Listed  
 UL File # R18795 & E98429  
 UL Category Code CEYY, QBWY & QCMZ  
 UL Control Number 39N9  
 UL 2 Hour Wall Fire Rated  
 Suitable for Masonry Walls  
 Material is Rigid PVC



<b>CANTEX</b> INC. Fort Worth, TEXAS		
48 Cubic inch Nail Box Multi-Gang Nonmetallic Max Capacity Boxes		
Drawn By: O.M.	Date: 7/5/17	Ref. EZ48DN