

Circuit Safe® Pushbutton Enclosures

Product Overview



Circuit Safe® nonmetallic pushbutton enclosures are molded from engineered thermoplastic material that is resistant to most corrosive agents. Whether predrilled 1-2-3 hole enclosures, blank cover enclosures or enclosures with multiple hole openings, Carlton's pushbutton enclosure series offer high impact strength, chemical resistance, high dielectric strength and excellent durability for the correct application.

Features

- Engineered thermoplastic base and cover
- 304 stainless steel screws
- Brass screw inserts
- High-impact strength
- Temperature range from -40 to 85°C

Applications

- Standard oil-tight pushbuttons, switches and pilot lights
- Conduit entries
- Junction boxes
- MRO and OEM applications

Standards

- Standards vary by product
- Narrow profile blank screw cover enclosure meet NEMA Type 1, 3, 3S, 3X, 3SX, 4, 4X, 12 and 13
- Nonmetallic hinged cover enclosures with multiple hole openings are CSA Certified

Circuit Safe® Pushbutton Enclosures

Screw Cover Enclosures with 1-2-3 Hole Openings



Wall mount pushbutton enclosures are molded from grey engineered thermoplastic material that is resistant to most corrosive agents. Universal pushbutton holes are designed to accommodate all standard oil-tight pushbuttons, switches and pilot lights. A grounding plate is included on the cover. Auxiliary devices must be rated for appropriate NEMA applications..

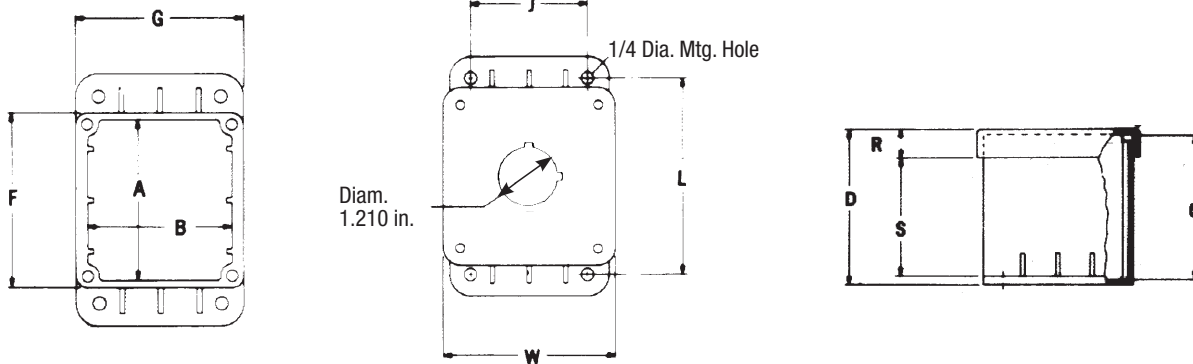
Features

- 30.5 mm keyed pushbutton holes*
- Material: nylon base and cover
- Integrally molded mounting flange
- Brass screw inserts
- 304 (18-8) stainless screws (8-32 x 3/8 in.)
- Temperature range from -40° to 85°C

30.5 mm Pushbutton Enclosures



Cat. No.	Style	Inside Box Size A x B x C (in.)	Mounting L x J	Overall Outside Including Mounting Bracket H x W x D	Dimensions (in.)				Std. Ctn. Qty.	Std. Ctn. Wt. (lb.)
					F	G	R	S		
CP100N	One Opening	3.13 x 2.81 x 3	4 x 2.38	4.88 x 3.50 x 3.38	3.38	3.25	0.63	2.5	12	9
CP200N	Two Openings	5.38 x 2.81 x 3	6.25 x 2.38	7.13 x 3.50 x 3.38	5.63	3.25	0.63	2.5	8	8
CP300N	Three Openings	7.38 x 2.81 x 3	8.50 x 2.38	9.38 x 3.50 x 3.38	7.88	3.25	0.63	2.5	6	7.60



22 mm Pushbutton Enclosures *



Cat. No.	Style	Inside Box Size A x B x C	Mounting L x J	Overall Outside Including Mounting Bracket H x W x D	Dimensions (in.)				Std. Ctn. Qty.	Std. Ctn. Wt. (lb.)
					F	G	R	S		
PX0010	One Opening	3.13 x 2.81 x 3	4 x 2.38	4.88 x 3.50 x 3.38	3.38	3.25	0.63	2.5	10	8.26
PX0007	Two Openings	5.38 x 2.81 x 3	6.25 x 2.38	7.13 x 3.50 x 3.38	5.63	3.25	0.63	2.5	1	1.31
PX0011	Three Openings	7.38 x 2.81 x 3	8.50 x 2.38	9.38 x 3.50 x 3.38	7.88	3.25	0.63	2.5	6	9.43
PX0008	Four Openings	7.38 x 2.81 x 3	8.50 x 2.38	9.38 x 3.50 x 3.38	7.88	3.25	0.63	2.5	1	1.60

* All Circuit Safe® pushbutton enclosures are furnished with standard hole dimensions: 1-7/32 in. diameter with keyways at 12 o'clock and 3 o'clock. Dimensions are in inches unless marked otherwise. Operators not included

Circuit Safe® Pushbutton Enclosures

Narrow Profile Blank Screw Cover Enclosures for Small Instrumentation and Control Applications



Meets NEMA 1, 3, 3S, 3X, 3SX, 4, 4X, 12 and 13

Blank cover enclosures can be easily drilled with a standard hole saw for conduit entries and pushbuttons. Wall mount enclosures are molded from grey engineered thermoplastic material and are resistant to most corrosive agents.

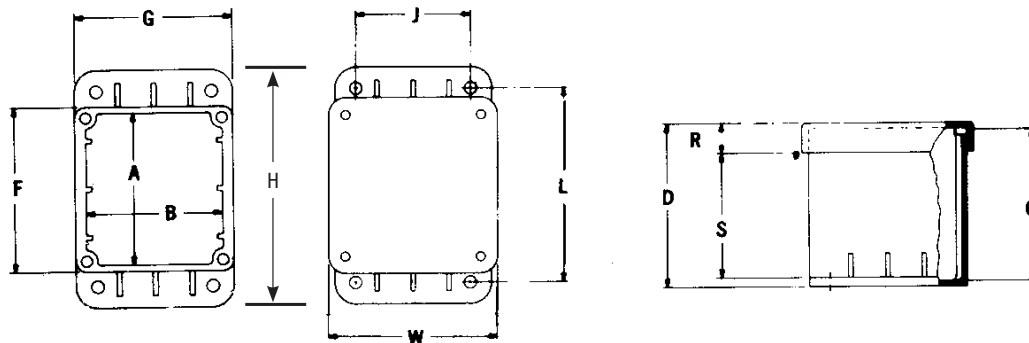
Features

- Brass screw inserts
- Material: engineered thermoplastic
- Integrally molded mounting flange
- 304 (18-8) stainless screws (10-32 x 3/8 in.)
- Temperature range from -40 to 85°C

Blank Screw Cover Enclosures

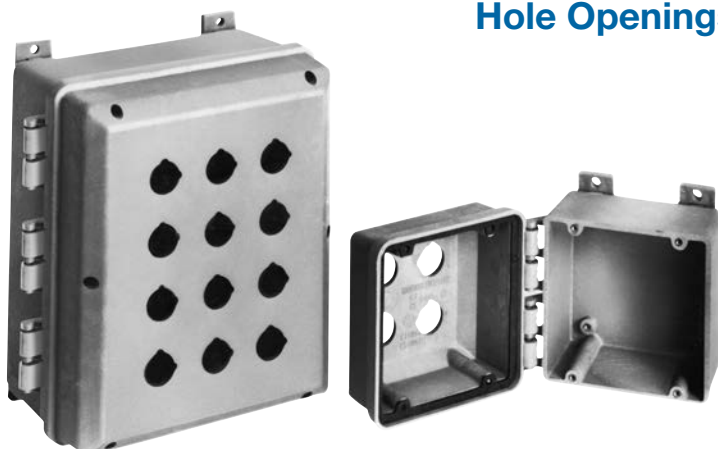


Cat. No.	Style	Inside Box Size A x B x C (in.)	Mounting L x J	Overall Outside Including Mounting Bracket H x W x D	Dimensions (in.)				Std. Ctn. Qty.	Std. Ctn. Wt. (lb.)
					F	G	R	S		
CP100NB	Blank Cover	3.13 x 2.81 x 3	4 x 2.38	4.88 x 3.50 x 3.38	3.38	3.25	0.63	2.5	12	9.60
CP200NB	Blank Cover	5.38 x 2.81 x 3	6.25 x 2.38	7.13 x 3.50 x 3.38	5.63	3.25	0.63	2.5	8	8.8
CP300NB	Blank Cover	7.38 x 2.81 x 3	8.50 x 2.38	9.38 x 3.50 x 3.38	7.88	3.25	0.63	2.5	6	8.20



Circuit Safe® Pushbutton Enclosures

Hinged Cover Enclosures with Multiple Hole Openings



Features

- Nonmetallic mounting feet and all mounting hardware included
- White painted 14 gauge steel or 1-1/8 in. PVC back panel (order separately)
- Material: engineered thermoplastic base and cover
- 304 stainless steel screws
- Brass screw inserts
- Lid design provides greater usable volume
- Completely nonmetallic hinges
- Temperature range from -40 to 85°C

Made from engineered thermoplastic material, these enclosures are ideal for applications that require high-impact strength, chemical resistance, high dielectric strength and excellent weathering capabilities, including indoor/outdoor industrial, MRO and OEM applications.

Nonmetallic hinges are an integral part of the mold. Hinge caps make cover captive and removable cover allows for easy field adjustment. Auxiliary devices must be rated for appropriate NEMA applications.

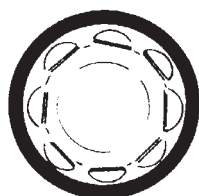
Hinged Cover Pushbutton Enclosures With Multiple 30.5 mm Openings*



Cat. No.	Openings	Inside Box Size (in.)	Weight	Qty.	Panel Cat. No. Steel / PVC	Size Steel / PVC (in.)
J665P	4	6 x 6 x 5,88	2,42	1	JP66 / JP66P	4.88 x 4.88
J863P	6	8 x 6 x 3,63	1,86		JP86 / JP86P	6.75 x 4.88
J1085P	9	10 x 8 x 5,88	3,59		JP108 / JP108P	8.75 x 6.88
J12106P	12	12 x 10 x 6,88	4,29		JP1210 / JP1210P	10.75 x 8.88
J14126P	20	14 x 12 x 6,88	7,19		JP1412 / JP1412P	12.75 x 10.88
J16147P	25	16 x 14 x 7,63	11,20		JP1614 / JP1614P	14.75 x 12.88

* All Circuit Safe® pushbutton enclosures are furnished with standard hole dimensions: 1-7/32 in. diameter with keyways at 12 o'clock and 3 o'clock

Accessories



Gasketed Pushbutton Hole Plug



Cat. No.	Size	Std. Ctn Qty.	Std. Wt. (lb.)
CP900	Standard PB hole	100	2.0