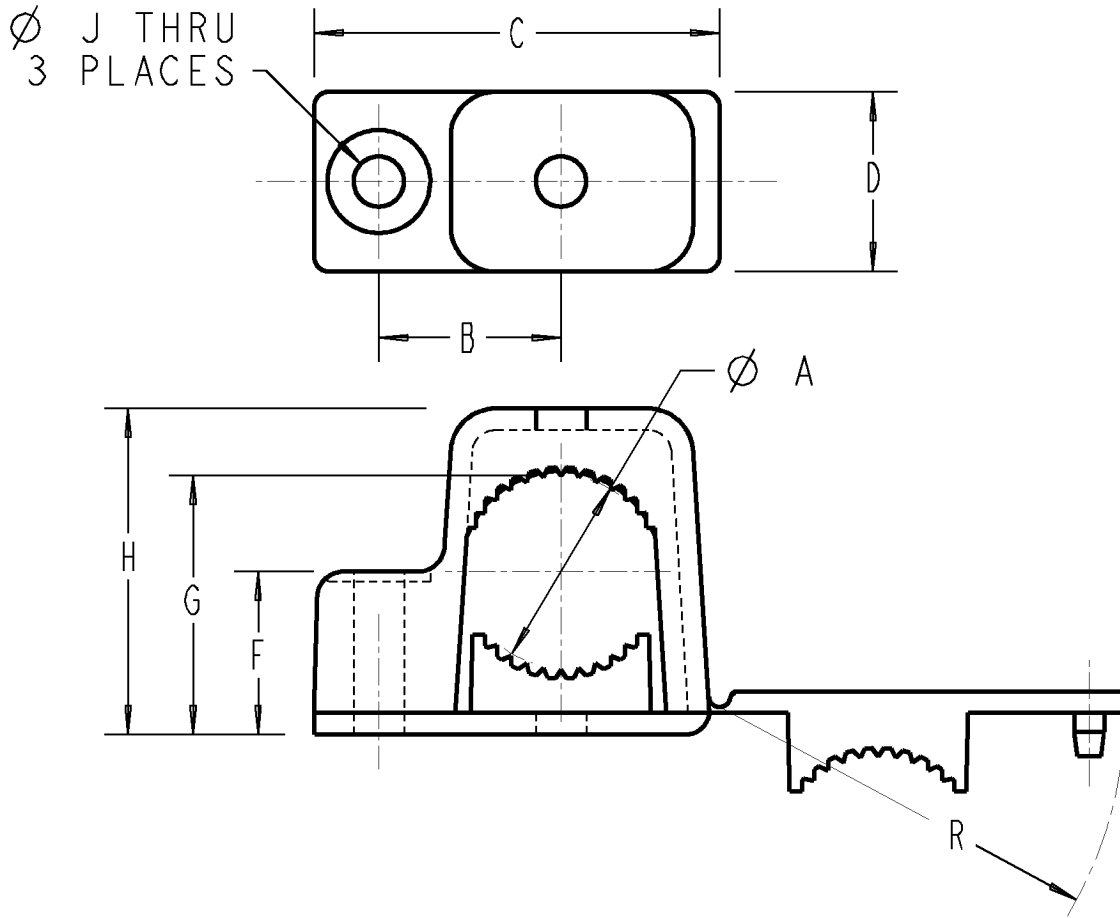



Carlton®



NOMINAL SIZE	PART NO.	A	B	C	D	F	G	H	ØJ	R
1/2"	E978DC-CAR E978DCR E978DCRL	0.80 (20.3)	.75 (1.90)	1.63 (41.4)	0.75 (19.1)	.59 (14.9)	.99 (25.1)	1.36 (34.5)	.21 (5.33)	1.67 (42.4)
3/4"	E978EC-CAR E978ECR E978ECRL	1.00 (25.4)	.88 (22.4)	1.92 (48.7)	0.75 (19.1)	.70 (17.8)	1.20 (30.4)	1.57 (39.9)	.21 (5.33)	1.96 (49.8)
1"	E978FC-CAR E978FCR E978FCRL	1.20 (30.5)	1.02 (25.9)	2.17 (55.1)	0.75 (19.1)	.83 (21.1)	1.43 (36.3)	1.84 (46.7)	.21 (5.33)	2.22 (56.3)

NOTES:
1. MATERIAL: POLYPROPYLENE

GENERAL NOTES		 www.tnb.com			
1. ALL DIMENSIONS ARE FOR REFERENCE ONLY. 2. DIMENSIONS IN BRACKETS [] ARE IN METRIC UNITS.					
REVISIONS		DESCRIPTION: CONDUIT HANGER			
*** SEE ERN (****) FOR APPROVAL SIGNATURES & RELEASE DATE. PROJECT NO: ****		ORIGINAL PROJECT NO / (ERN NO)	SHEET NO:	REV. NO:	DRAWING NO:
		/ ()	1 OF 1	B	WSD-AC03044