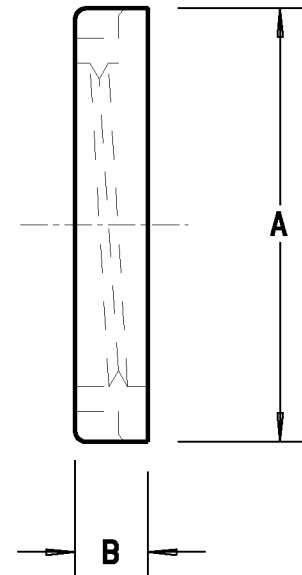
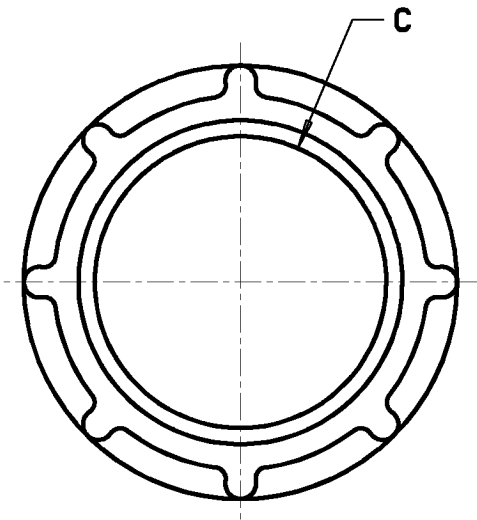


Carlton®



PART NO.	THREAD SIZE "C"	OUTSID DIA. "A"	WIDTH "B"
LT9LD LT9LDR LT9LDRCL	1/2" NPSL	1.13 (29 MM)	.19 (5 MM)
LT9LE LT9LER LT9LERCL	3/4" NPSL	1.41 (36 MM)	.19 (5 MM)
LT9LF	1" NPSL	1.67 (42 MM)	.19 (5 MM)

GENERAL NOTES

- ALL DIMENSIONS ARE FOR REFERENCE ONLY.
- DIMENSIONS IN BRACKETS [] ARE IN METRIC UNITS.

REVISIONS

*** SEE ERN (****) FOR APPROVAL SIGNATURES & RELEASE DATE.
PROJECT NO: ****

Thomas & Betts
www.tnb.com

DESCRIPTION: **LOCK NUT 1/2", 3/4" & 1"**

ORIGINAL PROJECT NO / (ERN NO)
/ ()

SHEET NO:
1 OF 1

REV. NO:
B

DRAWING NO:
WSD-AC02065