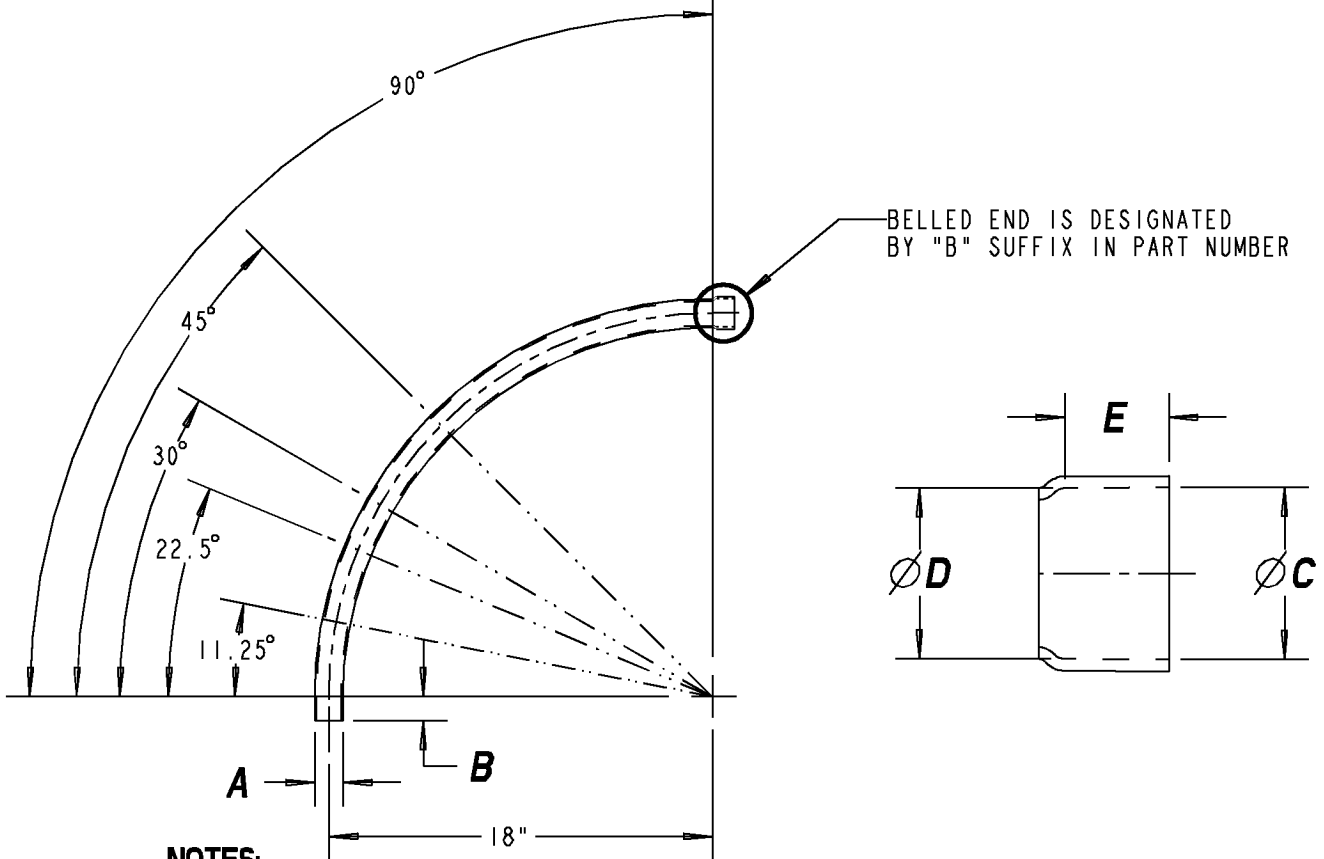


Carlton®



NOTES:

1. "B" DIMENSION (TANGENT LENGTH) IS TYPICAL ON NON-BELLED SWEEPS.

SIZE	90° P/N	45° P/N	30° P/N	22 1/2° P/N	A	B	∅C	∅D	E
1"	UA9CFB UA9CF UA9CFP UA9CFR	UA7CF	- -	- -	1.32 (33.5)	1.88 (47.7)	1.33 (33.8)	1.31 (33.3)	1.38 (34.9)
1 1/4"	UA9CGB UA9CG	UA7CG	- -	- -	1.66 (42.2)	2.00 (50.8)	1.68 (42.6)	1.66 (42)	1.47 (37.3)
1 1/2"	UA9CHB UA9CH	UA7CH	- -	- -	1.90 (48.3)	2.00 (50.8)	1.92 (48.7)	1.89 (48.1)	1.53 (38.9)
2"	UA9CJB UA9CJ	UA7CJB UA7CJ	UA6CJ	UA5CJB UA5CJ	2.38 (60.7)	2.00 (50.8)	2.39 (60.8)	2.37 (59.9)	1.56 (39.7)
2 1/2"	UA9CKB UA9CK	UA7CK	UA6CK	UA5CK	2.88 (73.2)	3.00 (76.2)	2.89 (73.4)	2.87 (72.8)	2.24 (56.8)
3"	UA9CLB UA9CL	UA7CLB UA7CL	UA6CL	UA5CLB	3.50 (88.9)	3.13 (79.5)	3.52 (89.3)	3.49 (88.7)	2.36 (59.9)
4"	UA9CNB	- -	- -	UA5CN	4.50 (114.3)	3.38 (85.9)	4.52 (114.7)	4.49 (114.1)	2.56 (65.1)

GENERAL NOTES

- ALL DIMENSIONS ARE FOR REFERENCE ONLY.
- DIMENSIONS IN BRACKETS [] ARE IN METRIC UNITS.

REVISIONS

*** SEE ERN (****) FOR APPROVAL SIGNATURES & RELEASE DATE.
PROJECT NO: ****

Thomas & Betts
www.tnb.com

DESCRIPTION: **SCH.40 BELLED & SPIGOT END SWEEPS - 18" RADIUS**

ORIGINAL PROJECT NO / (ERN NO)

SHEET NO:

REV. NO:

DRAWING NO:

/ ()

1 OF 1

A

WSD-AC04883