

DECORA[®]
COLLECTION BY LEVITON

Electronic Timer Switches

Electronic Reliability And
Performance For Greater
Convenience, Comfort, Energy
Savings and Security



Definition:

Leviton's Decora Electronic Timer Switches provide quiet, reliable and accurate electronic timing for lighting and motor control. A wide variety of electronic and fully programmable models are available, with time and rating choices to fit every need. Leviton's wallbox mounted Electronic Timer Switches provide an easy, simple and inexpensive way to add greater comfort, convenience, energy savings and security to any home. All Decora Electronic Timer Switches coordinate with Leviton's full line of elegant Decora designer wiring devices to enhance any decor.

Applications:

- Ceiling, bathroom and whole-house attic fans
- Heat lamps
- Lighting (basements, attics, garages, laundry rooms, outdoor floods for security or landscape accenting, offices, janitor and walk-in closets and entry lights)
- Spas or hot tubs
- Pool pumps and heaters
- Sprinklers

Common Features and Benefits:

- Quiet, reliable and accurate electronic timers (from 2 minutes to 12 hours) as well as programmable units
- No moving parts to break and no rotary wind-up ticking noise
- Contemporary styling complements fine décors and coordinates with other Decora designer devices
- All install easily in single gang wallboxes in place of standard switches, making them ideal for new construction, retrofitting and remodeling
- Programmable units initiate scheduled switching at the simple touch of one button. Touch again and the program is overridden and the load turned Off. Can be easily programmed and reprogrammed
- LED's illuminate next to each button to indicate the time left
- Impact-resistant thermoplastic face and quality construction for long life and superior performance
- Models available for controlling incandescent and fluorescent lighting as well as inductive or resistive loads
- Available in popular Decora colors of White, Ivory and Almond

Preset Timers Only Feature and Benefits:

- Units offer easy-to-use push-button operation. Once activated, simply push another time increment to change timing, or the OFF button to end timing

Agency Standards & Compliance:

- UL Listed, CSA Certified
- All devices are manufactured in an ISO 9000 registered facility

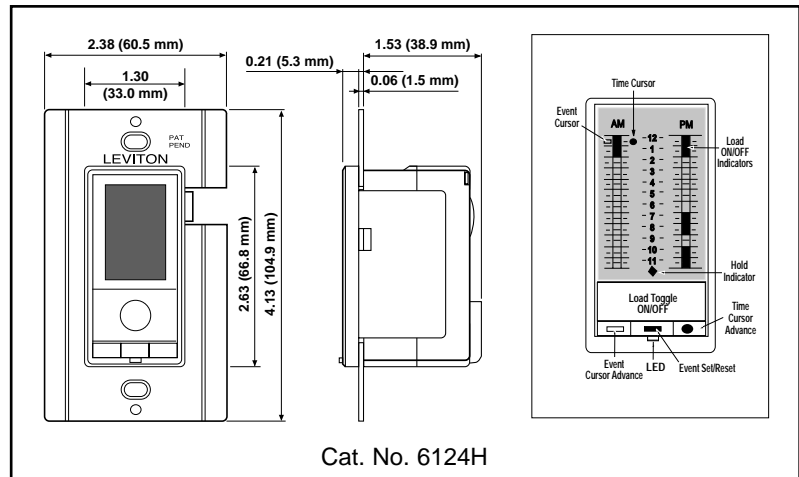


24 Hour Electronic Programmable LCD Timer Switch

Cat. No. 6124H Easy 24-Hour On/Off Scheduling In 48 Half-Hour Segments

Features and Benefits:

- Commercial and residential applications including outdoor lighting, pools, motors, sprinklers, exhaust and attic fans, bathroom heat lamps, hot tubs and spas, whole-house exhaust fan scheduling, office lights, janitor closets, landscape and security lighting
- Rating: 1200W Incandescent, 1200VA Inductive 120VAC 60Hz. Motor loads rated 1 HP @ 120VAC 60Hz UL, 3/4HP @ 120VAC 60Hz CSA
- Permits separate On or Off scheduling for half-hour periods of the day; ON/OFF manual control available by using button below display panel
- Backlit liquid crystal display (LCD) is easy to read
- Easy-to-use programming buttons
- Memory maintained up to 2 hours in case of power failure.
- Available in popular Decora colors of White, Ivory and Almond. Optional color change kits available for fast, easy color changes without having to rewire
- Impact-resistant thermoplastic face and quality construction for long service life and superior performance
- Neutral connection required
- Decora Plus snap-on wallplates cannot be used with the 6124H



14-Hour Programmable Timer Light Switch

Cat. No. 6651 Convenient Daily 14-Hour On/Off Light Scheduling In 14 Hour Segments

Features and Benefits:

- For residential incandescent lighting control including indoor, outdoor and seasonal lighting
- Rating: 40W min., 500W max., 125VAC 60Hz, Incandescent only
- Automates daily switching program (up to 14 hours) by responding to DIP switch ON or OFF position for each hour; repeats until function switch is moved to Manual or OFF mode

(Continues at bottom of next page)

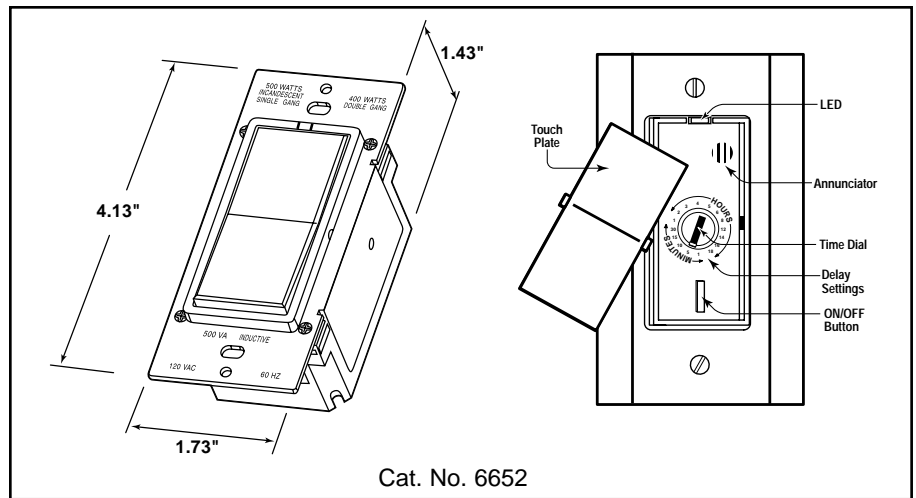


Variable Countdown Timer

Cat. No. 6652 Easy-To-Use Time Dial Provides Settings Between 1 Minute and 18 Hours

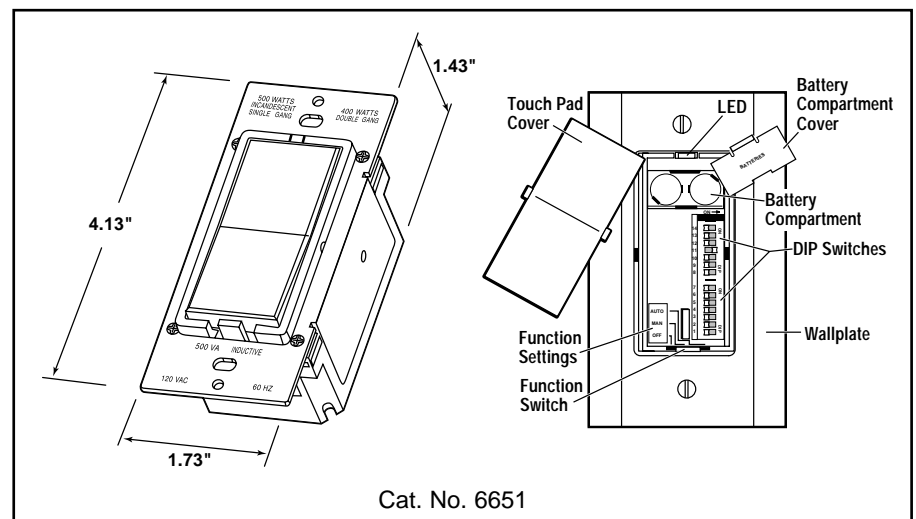
Features and Benefits:

- For residential and light commercial applications including indoor and outdoor lighting, office lights and ceiling paddle fans
- Rating: 600W 125VAC 60Hz Incandescent, 1/6th HP @ 125VAC
- Easy-to-use Time Dial provides variable delayed-time-to-off settings between 1 min. and 18 hrs
- To turn load(s) Off manually, press the touchplate twice within one second
- An illuminated LED indicates load is On. Blinking LED accompanied by annunciator sound indicates end of time cycle
- Available in popular Decora colors of White, Ivory and Almond. Optional color change kits available for fast, easy color changes without installing entire device.
- Impact-resistant thermoplastic face and quality construction for long service life and superior performance
- Neutral connection required



Cat No. 6651 Continued

- ON/OFF manual control possible only when tab at bottom of frame is moved to the "MAN" (manual) position
- Provides single pole and 3-way switching
- Battery-powered memory backup up to 48 hours in case of power failure.
- Available in popular Decora colors of White, Ivory and Almond
- Impact-resistant thermoplastic face and quality construction for long service life and superior performance
- Two-wire device; no neutral required



Ordering Information:

Programmable Electronic Timer Switches

Description	Cat. No.	Interval	Color
24 Hour Electronic LCD Programmable Timer Switch 1200W Incandescent, 1200VA Inductive @ 120V AC 60Hz Motor: 1HP @ 120V AC 60Hz UL, 3/4HP @ 120V AC 60Hz CSA Neutral connection required. Works with electronic ballasts	6124H	24 Hour On/Off Scheduling in 30 minute intervals	I, W, A
14-Hour Programmable Timer Light Switch 40W min., 500W max. @ 125V AC 60Hz Incandescent Only. Neutral not required. Does not work with electronic ballasts	6551	14 Hour On/Off Scheduling in hourly intervals	I, W, A
Variable Countdown Timer 600W @ 125V AC 60Hz Incandescent, 1/6HP @ 125V AC. Neutral connection required. Works with electronic ballasts	6652	1 minute to 18 hours	I, W, A

Preset Electronic Timer Switches

Description	Cat. No.	Interval	Color
Four Preset Buttons & OFF, 5A Incandescent & Inductive 120V AC 60Hz Neutral connection not required. Does not work with electronic ballasts	6515M 6530M 6560M 6512H	2-5-10-15 minutes 5-10-15-30 minutes 10-20-30-60 minutes 2-4-8-12 hours	I, W, A
Four Preset Buttons & OFF, 1000W Incandescent & 20A Inductive 1 HP @ 120V AC 60Hz Neutral connection required. Works with electronic ballasts.	6215M 6230M 6260M 6208H 6212H	2-5-10-15 minutes 5-10-15-30 minutes 10-20-30-60 minutes 1-2-4-8 hours 2-4-8-12hours	I, W, A

Leviton Manufacturing Co., Inc.

59-25 Little Neck Parkway, Little Neck, NY 11362-2591

Telephone: 1-800-323-8920 • FAX: 1-800-832-9538

Tech Line (8:30AM-6:00PM Eastern Time Monday-Friday): 1-800-824-3005

Leviton Manufacturing of Canada, Ltd.

165 Hymus Boulevard, Pointe Claire, Quebec H9R 1E9

Telephone: 1-800-469-7890 • FAX: 1-800-563-1853

Visit Leviton's Web site at <http://www.leviton.com>

© Copyright 1999 Leviton Manufacturing Co., Inc. All rights reserved.



B-815/H9-10M eg