



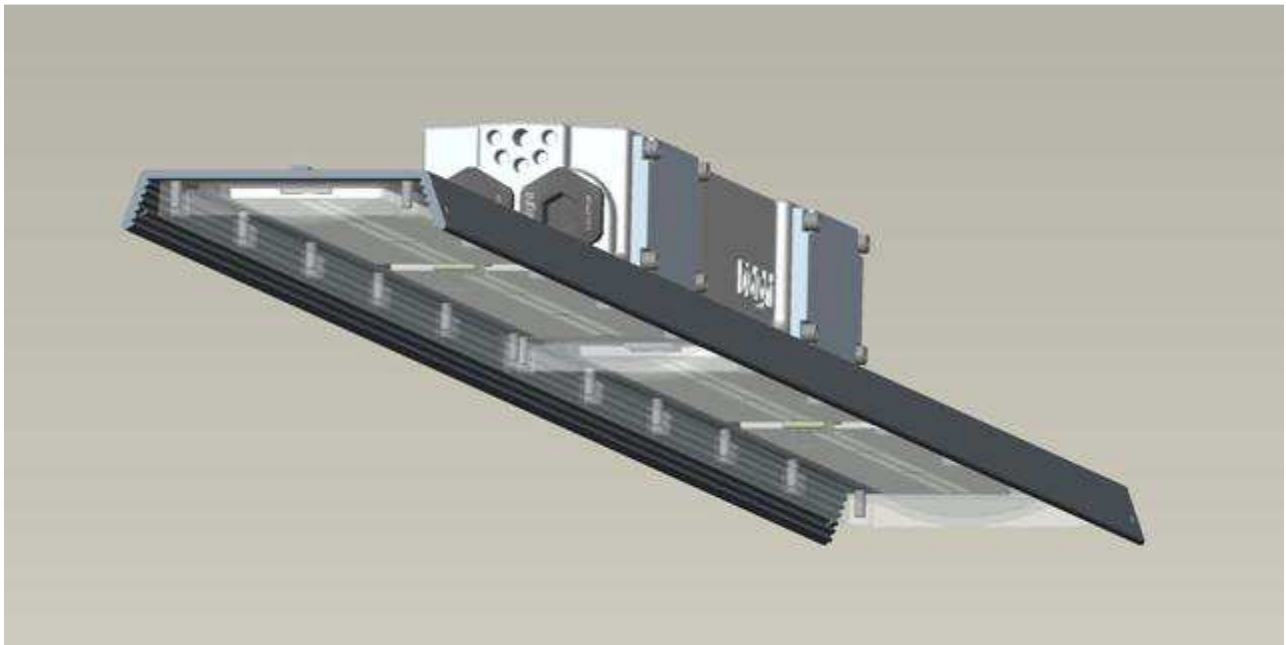
**INSTALLATION AND MAINTENANCE MANUAL  
DUROSITE® LED LINEAR FIXTURE**

Document No: 9100-127-2209-99 Rev A  
April, 2014

MODELS

(2 foot Versions)  
LPM3C4D2P  
LPM3C4B2D

(4 foot Versions)  
LPM3C4M2P  
LPM3C4H2D



**These instructions contain important safety information, read and follow them carefully. Dialight will not accept any responsibility for injury, damage or loss which may occur due to incorrect installation, operation or maintenance**



**1: Introduction**

This Linear LED light is designed for illumination of industrial locations. It uses the latest in solid state lighting technology for long life, low maintenance, and high efficiency.

The unique optical design focuses light downward to where it is needed, giving improved efficiency over a conventional HID luminaire.

An internal, universal input, power-factor-corrected switch-mode supply allows it to be used from any nominal 100V-277V, 50/60Hz AC supply without any variation in light output.

**Models listed above are SUITABLE FOR WET LOCATIONS in unclassified locations:**

**Temperature Code: T5 for 2' model, T5 for 4' model  
Ambient Temperature Range: -40C to +65C**

**Note: Save these instructions for future reference.**

## 2: Installation

**⚠ Warning:**

To avoid the risk of fire, explosion, or electric shock, this product should be installed, inspected, and maintained by a qualified electrician only, in accordance with all applicable electrical codes.

**⚠ Warning:**

To avoid electric shock:

- Be certain electrical power is OFF before and during installation and maintenance.
- Luminaire must be connected to a wiring system with an equipment-grounding conductor.

**⚠ Warning:**

- DO NOT let power cord touch hot surfaces
- DO NOT mount near gas or electric heaters
- Equipment should be mounted in locations and at heights where it will not be subjected to tampering by unauthorized personnel.
- The use of accessory equipment not recommend by the manufacture may cause an unsafe condition
- DO NOT use this equipment for other than it's intended use

**⚠ Warning:**

The technical data indicated on the Luminaire are to be observed.

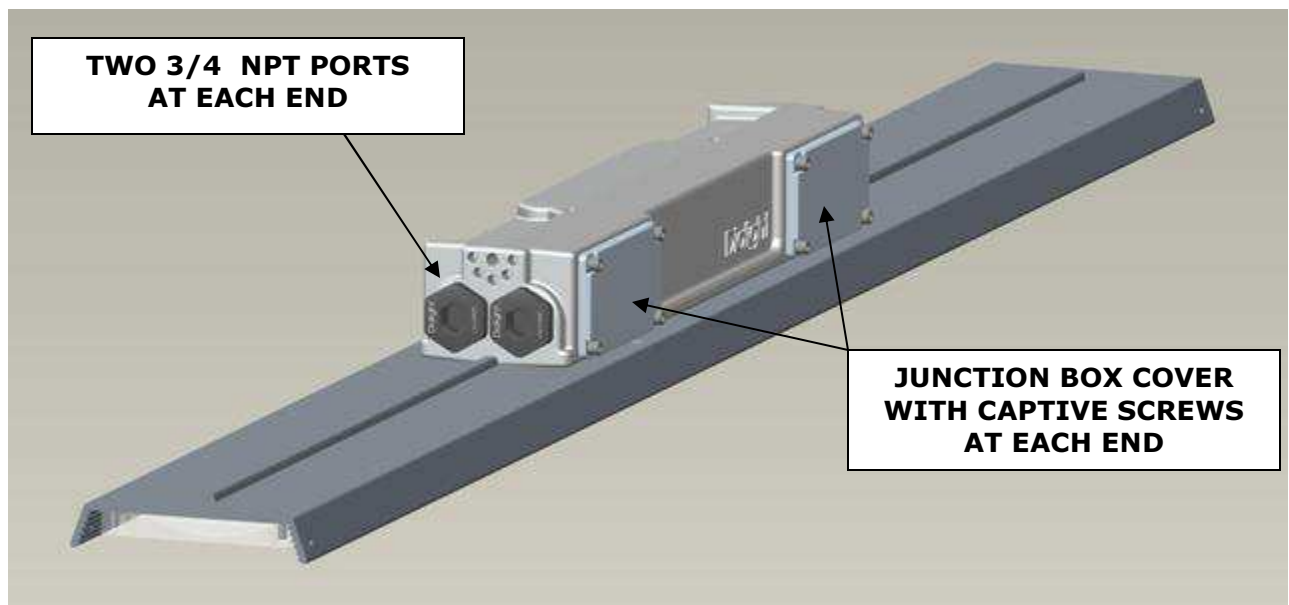
- Changes to the design and modifications of the Luminaire are not permitted
- Only genuine Dialight replacement parts are to be used when unforeseen maintenance is required. Consult factory at [www.Dialight.com](http://www.Dialight.com) or authorized representative as required.

## For supply connections use wire rated for at least 90°C

### Conduit thru Mount (Figure 2) Installation Steps:

- For maximum long term reliability and light output, the light must be installed in free air.
  - The Linear fixture design incorporates an over-temperature control circuit that reduces input power should internal temperatures reach a maximum level. In this event, light output may be reduced.
- The Linear fixture is threaded for two 3/4" NPT, at each end, of the Power Supply Housing's Junction Box Sections, in order to be assembled to conduit or with cable.
  - Remove the 3/4 NPT pipe plugs and attach conduit or cord grips where shown in figure 2. Use conductive pipe sealant for all metal fittings and conduit. Use Teflon tape for polycarbonate 3/4 NPT pipe plugs.
  - **Warning:** If there is moisture present, or chance of it, in the conduit system then necessary precautions should be taken by the installer to prevent the moisture from entering thru the cable or conduit and entering the fixture. Failure to comply with the above could void factory warranties.
  - Fixture is factory wired with LINE, NEUTRAL and GROUND leads at each end. Remove the Power Supply Junction Box Cover, which has captive screws, to attach incoming power to the white (Neutral) wire, black (Line) and green (Ground) wire leads with Lever Connectors. Ensure that the o-ring is properly seated in the groove; reattach the Cover. Tighten all screws to 15 in/lbs (1.75NewtonM's)
  - Restore power and verify operation.

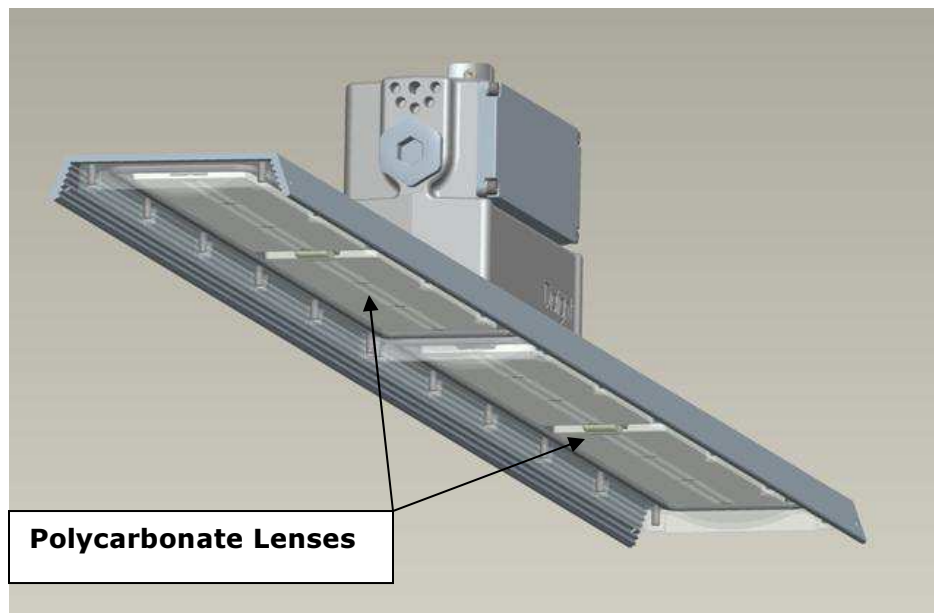
Figure 2.



### 3: Maintenance

- To avoid personal injury, disconnect power to the light and allow the unit to cool down before performing maintenance.
- ⚠ **Warning:** No user serviceable parts inside of fixture. Risk of electric shock. Removal of the lens will void the warranty.
- 1) We suggest performing visual, mechanical and electrical inspections on a regular basis. We suggest routine checks to be made on a yearly basis. Frequency of use and environment should determine this. It is recommended to follow an Electrical Preventive Maintenance Program as described in NFPA 70B: Recommended Practice for Electrical Equipment.
  - 2) If the lens (Figure 4 below) requires periodical cleaning to ensure continued photometric performance. Clean the lens with a damp, non-abrasive, lint-free cloth. If not sufficient, use mild soap and water.
  - 3) Inspect the outside of the Luminaire housing to ensure that they are free of any obstructions or contamination (i.e. excessive dust build-up). Clean with a non-abrasive cloth if needed.
  - 4) Do not operate if the lens is cracked or damaged. All fasteners should be properly seated.
  - 5) **NOTE:** Screws, other than the Junction Box area, are factory torqued and should not be tampered with during installation or maintenance.

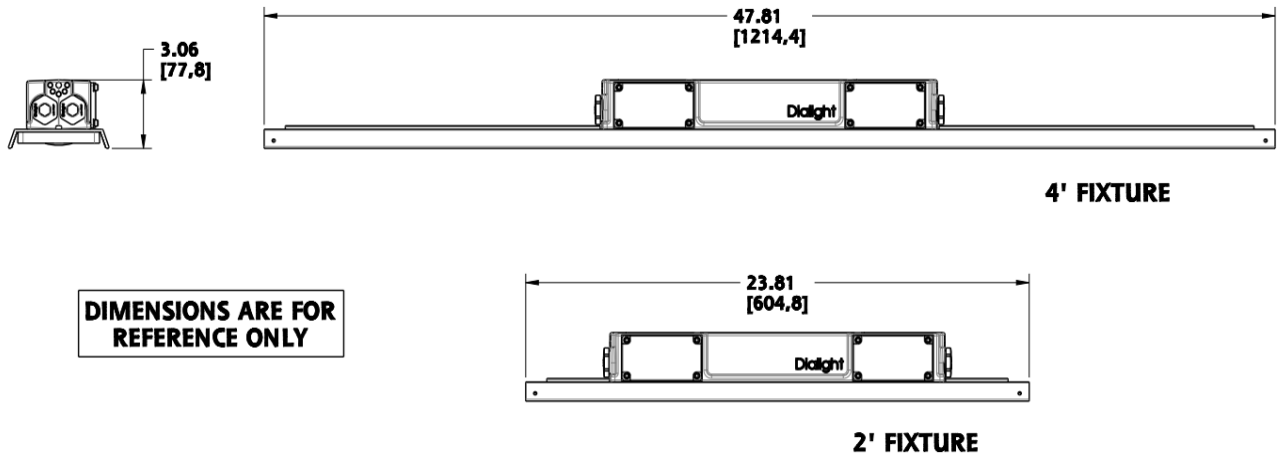
**Figure 4.**



**Specifications**

Nominal AC Supply Voltage	100-277VAC, 50-60Hz
Power consumption:	
2' version	33W nominal
4' version	66W nominal
Input Current: (Nominal)	.33Amps @100Vac (2 foot) .66amps @100Vac (4 foot) .12Amps @277Vac (2 foot) .24Amps @277Vac (4 foot)
Operating temperature range	-40°F to +149°F [-40° C to +65°C] T5 @ 149°F [65°C]
Power factor	>0.9
ATHD	<20%
Dimensions (L x W x H)	See Figure 5.
Weight	8 lbs [3.62 kg] (2') 11 lbs [4.98 kg] (4'),
Intertek Certified to	UL-844 and C22.2 No. 137

**Figure 5.**



All statements, technical information and recommendations contained herein are based on information and tests we believe to be reliable. The accuracy or completeness thereof is not guaranteed. In accordance with Dialight Corporation "Terms and Conditions of Sale", and since conditions of use are outside our control, the purchaser should determine the suitability of the product for his intended use and assumes all risk and liability whatsoever in connection therewith



<u>REV.</u>	<u>ECO No.</u>	<u>DRN</u>	<u>CHK</u>	<u>APP</u>	<u>QA</u>	<u>CM</u>	<u>DATE</u>
A	17702	WSL	JCA	SB	LP	JN	4/29/14

