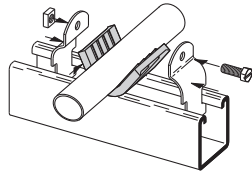


B1999 VIBRA-CUSHION

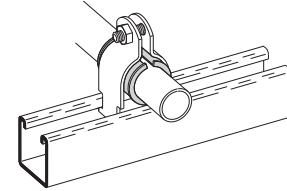
- Packaged 20 Ft. (6.09 m) per carton
- Ideal Isolation Material
- Inhibits Galvanic Corrosion
- Dampens Sound and Vibrations
- Service Temperature Range
-75°F (-60°C) to +375°F (+199°C)
- Wt./Carton 3.8 Lbs. (1.7 kg)



Features

Virba-Cushion is designed for use with refrigeration lines, HVAC, copper tubing, glass pipe and hydraulic lines. It provides an energy-absorption barrier between the lines and the mounting material and remains flexible thru its entire service range of -75°F (-60°C) to +375°F (+199°C).

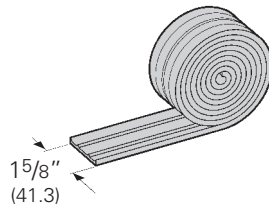
This elastomer allows for expansion and contraction within the mounting system and prevents galvanic reaction between dissimilar metals.



For Rigid Conduit or Iron Pipe

Nominal Size In. mm	Length*		Use Clamp No.
	In.	mm	
3/8" (10)	2 1/8"	(54.0)	B2002
1/2" (15)	2 5/8"	(66.7)	B2009
3/4" (20)	3 1/4"	(82.5)	B2031
1" (25)	4 1/8"	(104.8)	B2004
1 1/4" (32)	5 3/16"	(131.8)	B2012
1 1/2" (40)	5 15/16"	(150.8)	B2038
2" (50)	7 1/2"	(190.5)	B2042
2 1/2" (65)	9"	(228.6)	B2046
3" (80)	11"	(279.4)	B2051
3 1/2" (90)	12 1/2"	(317.5)	B2055
4" (100)	14 1/2"	(368.3)	B2059
5" (125)	17 7/16"	(442.9)	B2067
6" (150)	20 3/4"	(527.0)	B2116

* Length of Vibra-Cushion



For Thinwall (EMT) Conduit

Nominal Size In. mm	Length*		Use Clamp No.
	In.	mm	
3/8" (10)	1 13/16"	(46.0)	B2027
1/2" (15)	2 13/16"	(58.7)	B2002
3/4" (20)	2 7/8"	(73.0)	B2003
1" (25)	3 5/8"	(92.1)	B2032
1 1/4" (32)	4 3/8"	(120.6)	B2036
1 1/2" (40)	5 7/16"	(138.1)	B2012
2" (50)	6 7/8"	(174.6)	B2013

* Length of Vibra-Cushion

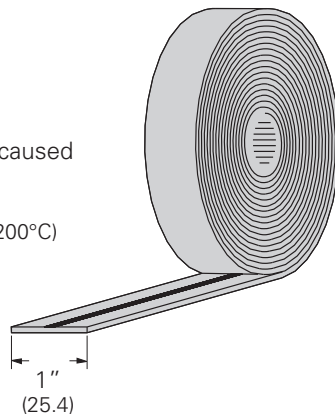
For Copper Tubing Type L & K

Nominal Size In. mm	Length*		Use Clamp No.
	In.	mm	
1/4" (6)	1 3/16"	(30.2)	B2026
3/8" (10)	1 9/16"	(39.7)	B2027
1/2" (15)	1 7/8"	(47.6)	B2008
5/8" (17)	2 5/16"	(58.7)	B2009
3/4" (20)	2 3/4"	(69.8)	B2030
1" (25)	3 1/2"	(88.9)	B2010
1 1/4" (32)	4 5/16"	(109.5)	B2011
1 1/2" (40)	5 1/8"	(130.2)	B2012
2" (50)	6 11/16"	(169.9)	B2013
2 1/2" (65)	8 1/4"	(209.5)	B2014
3" (80)	9 13/16"	(249.2)	B2048
3 1/2" (90)	11 3/8"	(288.9)	B2052
4" (100)	12 15/16"	(328.6)	B2056
5" (125)	16 1/8"	(409.6)	B2064
6" (150)	19 1/4"	(488.9)	B2112
8" (200)	25 1/2"	(647.7)	B2128

* Length of Vibra-Cushion

ISO Pipe Isolator

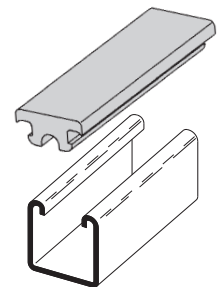
- Non-adhesive rubber tape
- Fuses to itself
- Water resistant
- Ideal Isolation Material
- Prevents galvanic reaction caused by dissimilar metal contact
- Temperature Range
-140°F (-60°C) to +395°F (+200°C)



Part No.	Thickness		Ft./Roll	
	In.	mm	Ft.	m
ISO	.020	(0.5)	36	(11)

BVS Type - Vibra Strip™ for 1 5/8" (41.3) wide B-Line channel

- Fits securely in 1 5/8" wide channel
- Temperature range: -20°F to 212°F
- Ideal Isolation & Vibration Dampening Qualities
- 45 durometer hardness
- Material: Neoprene



Part No.	Max. Load Lbs. per Lineal In.		Length		Std. Pkg.	Wt. Each	
	Lbs.	kg/25.4 mm	In.	mm		Lbs.	kg
BVS-12	40	(18.1)	12"	(304.8)	25	.46	(.21)
BVS-120	40	(18.1)	120"	(3048.0)	25	4.60	(2.08)

Reference page 127 for general fitting and standard finish specifications.