



FEDERAL SIGNAL

Safety and Security Systems / Industrial

Advancing security and well being

***INSTALLATION AND SERVICE INSTRUCTIONS FOR
MODEL 310-MV, MODEL 310X-MV AND
MODEL 310-MV-MNC***

***INSTRUCCIONES PARA LA INSTALACIÓN Y EL
MANTENIMIENTO DEL MODELO 310-MV,
MODELO 310X-MV Y MODELO 310MV-MNC***

***INSTRUCTIONS D'INSTALLATION ET DE
MAINTENANCE POUR LE MODÈLE 310-MV,
LE MODÈLE 310X-MV ET LE MODÈLE 310-MV-MNC***

256A1013J

Rev. J Printed 413

Printed in U.S.A.

Fabricado en USA

Fabriqué aux États-Unis

INSTALLATION AND SERVICE INSTRUCTIONS FOR MODEL 310-MV, MODEL 310X-MV AND MODEL 310-MV-MNC

SAFETY MESSAGE TO INSTALLERS, USERS AND MAINTENANCE PERSONNEL

It is important to follow all instructions shipped with this product. This device is to be installed by a trained electrician who is thoroughly familiar with the National Electrical Code and will follow NEC Guidelines as well as local codes. Marine installations shall be in accordance with Title 46, CFR, Parts 110-113.

The selection of the mounting location for the device, its controls and the routing on the wiring is to be accomplished under the direction of the facilities engineer and the safety engineer. In addition, listed below are some other important safety instructions and precautions you should follow:

- This is not a Listed emergency safety device and is not intended to be used as such.
- Read and understand all instructions before installing or operating this equipment.
- Disconnect power before connecting or doing any maintenance on this intercom.
- All effective warning speakers produce loud sounds which may cause in certain situations, permanent hearing loss.

You should take appropriate precautions such as wearing hearing protection.

- After testing is complete, provide a copy of this instruction sheet to all operating personnel.
- Establish a procedure to routinely check the intercom installation for integrity and proper operation. Any maintenance must be performed by a trained electrician in accordance with NEC guidelines and local codes.

Failure to follow all safety precautions and instructions may result in property damage, serious injury, or death to you or others.

A. General Features.

The 310-MV intercom is a heavy duty, 2-way, communications device designed for industrial applications. Nominal operating voltages include 120/240 Vac, 50/60 Hz and 24 Vdc. Voltage changes for the 120/240 Vac are internally switch selectable and the AC line is fused with a 1/2 amp 250 volt type GMC fuse. The unit also offers internally selectable balanced or unbalanced line operation, transformer isolated audio inputs and internally selectable Master or Slave mode configurations. A call button with remote call dry contacts is also factory supplied in the unit. An optional hand-held noise cancelling microphone is available for high ambient noise applications.

The 310-MV and the 310X-MV have Type 4X enclosures and are UL Listed Type NM (non-monitored) signal appliances and Marine signal appliances for indoor or outdoor use and they are CSA Certified signal appliances. The 310X-MV is additionally Listed for Class I, Division 2, Groups A, B, C and D; Class II, Division 2, Groups F and G; and Class III.

The 310-MV-MNC includes a hand-held noise cancelling microphone and should be used only for indoor applications.

Wire all circuits connected to the 310X-MV Intercom using Class I, Division 2 wiring methods specified in Article 501-4 (b) of the NEC.

MASTER MODE:

Each intercom can be configured as a Master unit (Push-to-Talk) or a Slave unit (Push-to-Listen) by changing the MAS/SLA jumper (J7) on the printed circuit board (see figure 1). The intercom comes from the factory set in the Master (MAS) mode.

In the Master mode the intercom acts as an amplifier, constantly broadcasting over its speaker any signal that it receives on the signal lines. Holding down the Listen/Talk switch changes the unit from a speaker to a microphone (see figure 2). The intercom will now transmit over the signal lines to additional intercom(s) also set in the master mode. When the switch is released it will default back to the Listen or Speaker mode, allowing the user to receive any messages transmitted back to it.

SLAVE MODE:

Some applications may require that the intercom constantly transmit (i.e., act as a microphone) as opposed to constantly receive (i.e., act as a speaker). To accomplish this the intercom must be switched into the Slave (Push-to-Listen) mode.

To switch an intercom into the Slave mode there are three steps to follow.

WARNING

Disconnect power to the intercom before any installation, maintenance, or configuration changes are performed.

Move the J2 jumper block on the P.C. board from the MAS to SLA position (see Figure 1). This can be done using long nose pliers, pulling the block off the "MAS" and center position and placing it on the "SLA" and center position.

An intercom configured in the Slave mode needs to have the Listen/Talk switch default to the talk position on the cover plate (see Figure 3).

The second change required is to rotate the position of the Talk/Listen switch. This can be accomplished by loosening the rubber boot covering the toggle switch enough to allow the toggle switch to turn 180 degrees. The dimple on the locking ring must seat itself in the locating hole (see Figure 4). The rubber boot is then tightened up against the cover plate with the toggle switch leaning to the talk position, as shown in Figure 3.

The third change involves the interconnect wiring. When a unit is placed in the Slave mode it defaults to the Talk or transmit position. When hooked to a Master unit it is necessary to override the Slave unit in order for the Master unit to be able to transmit. The #6 pin (remote) on both terminal blocks (see Figure 5) must be connected between the Master and the Slave unit. Paragraph G. WIRING DIAGRAMS contains wiring diagrams of typical intercom configurations.

REMOTE CONTROL:

Remote control is used to change the operation mode of a remote intercom from listen to talk or from talk to listen upon activation of a local intercom. The wiring diagram section illustrates Master/Slave Installation and Using Foot Switches Diagrams. (See Figures 8 and 9.)

Normally open foot switches can also be connected to the Remote Control line in order to allow "hands free" operation of the listen/talk functions.

CALL BUTTON:

Depressing the call button sends a 1 kHz tone onto the signal lines. All units listening to the line will then broadcast this signal as a call.

CAUTION

The call signal is substantially louder than normal voice messages being carried on the line. Do not depress the call switch while carrying on a conversation with someone on the system. This will subject the listener to very loud sound levels.

The volume of the call signal is affected by the volume control on the receiving unit, so if the volume is turned all the way down at a receiving station, the call signal will not be heard. To avoid this problem, the call dry contacts can be utilized to drive an external signalling device.

CALL DRY CONTACTS TO EXTERNAL DEVICE:

Depressing the call button also closes a normally open dry contact rated at 0.4 amps at 125 Vac or 1.0 amp at 24 Vdc. This contact can be used to trigger a remote sounder or light in order to accent the call feature. The wiring diagram illustrates how an external light or horn can be wired in to augment the call tone. (See Figure 10).

MICROPHONE OPTION:

Keying the microphone (PTT) places the intercom in talk mode with the microphone over riding the speaker. A hand held noise cancelling microphone is recommended when operating in loud ambient environments.

An optional hand-held microphone conversion kit (Part No. K8502016) is available for Model 310-MV. This field-installable kit includes a new cover plate with a 1/4" microphone jack and a microphone.

CAUTION

Units with optional microphones are not UL Listed for use in hazardous locations, Marine, or Type 4X enclosure ratings.

Units with the optional microphone should be used only in indoor applications.

24VDC:

When connecting the intercom to 24 volts DC, either the positive (+) supply conductor must be fused at the source with a 1/2 A fuse or a power-limited power source must be used.

The 310 is capable of sending DC power to another unit that is mounted in a remote location without local power. 24VDC is available from pins 4 and 5 of the terminal block. It can be run along with the signal lines to an intercom in a remote location. Only one unit should share the power supply of another unit in any installation.

NOTE

Connect positive (+) supply conductor to pin #4 of terminal block. Connect the negative (-) supply connector to pin #5 of terminal block.

Figure 11 in the wiring diagrams section shows how two intercoms can be hooked up if no remote power is available.

ISOLATED BALANCED/UNBALANCED LINES:

The audio signals for the 310 are transmitted over a wire pair using balanced line technology. This means each wire carries a signal that is opposite in polarity of the other. At the input of the intercom is an isolated balanced line transformer. This transformer subtracts the two signals from each other providing an output free of noise generated onto the wires by some other noise source such as a motor or light fixture near the wires.

The isolation provided by the transformer means that the grounds of the units are not connected by the audio lines. Therefore, ground loops and other problems caused by non-isolated systems are avoided. The polarity of the audio lines between the (+) and (-) signal terminals need not be maintained.

A shielded cable can be used in installations where extreme problems from interference are suspected. The shield should always be connected to the ground of only one of the intercoms. Connecting the shield to ground at both ends will cause ground currents to travel through the shield which could cause hum in the system.

There are several diagrams in the back of the manual to aid in wiring intercoms together. The wiring diagram section illustrates balanced and unbalanced line interconnection along with how a shielded audio cable can be used. (See Figures 12 through 15.) It also illustrates multiple intercom interconnections.

SURGE PROTECTION:

Metal Oxide Varistor (MOV) devices are used to protect the audio lines and the remote control line. The intercom must have Earth Ground terminated to it to ensure surge protection.

The output amplifier of the 310 offers full short circuit protection and over heat protection.

MODEL 310-MV, 310X-MV, 310-MV-MNC SPECIFICATIONS

Operating Voltage	24 Vdc, 120 Vac and 240 Vac 50/60 Hz		
Current Draw	Voltage	Operating	Standby
	24 Vdc	260 mA	62 mA
	120 Vac	163 mA	70 mA
	240 Vac	82 mA	35 mA
Amplifier Specifications			
Frequency Response (-6dB)	150 Hz to 12 kHz		
Input Impedance	3400 ohms		
Max. Output Voltage			
Sine Wave:			
Balanced Output	15 Vrms		
Unbalanced Output	7.5 Vrms		
Square Wave:			
Balanced Output	19 Vrms		
Unbalanced Output	9.5 Vrms		
Speaker Rating	30 watts		
Speaker Impedance	16 ohms		
Temperature Range for Ordinary Locations	-31° F to +150° F (-35° C to +66° C)		
Temperature Range for Hazardous Locations	+41° F to +149° F (+5° C to +65° C)		
Fuse Type GMC-1/2	1/2 A, 250 V		
Call Switch Contact Rating	400 mA at 125 Vac 1.25 A at 24 Vdc		
Weight			
Shipping	11 lb, 5 oz		
Net	9 lb, 14 oz		
Housing Dimensions	6-7/8" W x 10-3/8" H x 4-3/4" D		
Conduit Entrances	Dual 1/2"-14 IPS		
Housing Material	Aluminum		
Color	Gray		
Agency Listings			
310-MV (without optional microphone)	UL (UEHX), (UXPL, Marine) & CSA - For indoor or outdoor use, Type 4X enclosure.		
310-MV-MNC (with microphone)	UL (UEHX), CSA - For indoor use only.		
310X-MV	UL (UJXP and UJPX7), (UXPL, Marine) and CSA - For indoor or outdoor use in Class I, Division 2, Groups A, B, C and D; Class II, Division 2, Groups F and G; Class III hazardous locations; Type 4X enclosure.		

This equipment is suitable for use in Class I, Division 2, Groups A, B, C and D; Class II, Division 2, Groups F and G; Class III or non-hazardous locations only.

WARNING—EXPLOSION HAZARD—Substitution of any components may impair suitability for Class I, Division 2; Class II, Division 2, Groups F and G; and Class III.

WARNING—EXPLOSION HAZARD—Do not disconnect equipment unless power has been switched off or the area is known to be non-hazardous.

B. Unpacking.

After unpacking the Model 310, examine it for damage that may have occurred in transit. If the equipment has been damaged, do not attempt to install or operate it, file a claim immediately with the carrier stating the extent of the damage. Carefully check all envelopes, shipping labels and tags before removing or destroying them.

Before attempting to install the intercom, be sure that all parts listed in the KIT CONTENTS LIST have been supplied.

C. Kit Contents List.

Qty.	Description	Part Number
1	Wiring Block	140A326-01
4	Screws, Phillips Head	
4	Lockwashers	
1	Instruction Sheet	2561013
1	Resistor, 1K, 1W	101216

D. Mounting.

CAUTION

The selection of the mounting location for the device, its controls and the routing of the wiring is to be accomplished under the direction of the facilities and the safety engineer.

The intercom is intended to be mounted on any relatively flat and rigid surface by the two mounting ears on the exterior of the housing. Figure 6 is a dimensional outline drawing showing the proper mounting configuration. The two mounting ears have 13/32" diameter holes spaced 5-5/8" apart. Hardware for mounting the intercom to the surface is left up to the installer.

WARNING

This unit is heavy and should be mounted on a rigid surface capable of supporting the weight of the intercom.

The intercom housing has two 1/2"-14 IPS openings in the bottom. When installing the conduit to these openings seal the threads with pipe compound or other sealing material.

WARNING

For shipboard applications, installations shall be in accordance with the United States Coast Guard, Title 46 CFR, Parts 110-113.

For units using the noise cancelling hand-held microphone, install the supplied microphone mounting clip on any rigid surface near the intercom. Avoid locating the microphone where it may be exposed to excessive moisture or dust.

E. Electrical Connections.

WARNING

Do not connect wires when power is applied.

All wiring to the intercom is terminated to the terminal block provided. The terminal block plugs into a header on the PC board and is configured such that it can only plug in one way. Figure 7 shows the orientation of the wiring block and describes the function of each position.

There are three jumpers shown on the PC board in Figure 7 which may need to be moved depending on the desired operation of the intercom. J5 and J6 are for operating the intercom in either a balanced signal line or unbalanced signal line configuration. These must be moved together as a pair. They are factory set in the balanced line position. J7 is for configuring the intercom as either a master or slave device. The intercom is factory set in the master position.

There is a switch on the board to configure the operation of the board from 120 Vac to 240 Vac. The switch is factory set for the intercom to operate on 120 Vac (see Figure 7).

See Figures 8 through 15 for typical intercom configurations.

CAUTION

The Model 310X's circuits are not nonincendive field-wiring circuits except the foot switches. Wire all circuits connected to the 310X Intercom using Class I, Division 2 wiring methods specified in Article 501-4 (b) of the NEC.

F. Service.

CAUTION

Any maintenance must be performed by a trained electrician in accordance with NEC guidelines and local codes.

1. General.

CAUTION

The call signal is substantially louder than normal voice messages being carried on the line. Do not depress the call switch while carrying on a conversation with someone on the system. This will subject the listener to very loud sound levels.

Federal Signal will service your equipment or provide technical assistance with any problems that cannot be handled locally.

Any units returned to Federal Signal for service, inspection, or repair must be accompanied by a Return Material Authorization. This R.M.A can be obtained from the local Distributor or Manufacturer's Representative.

At this time a brief explanation of the service requested or the nature of the malfunction, should be given.

Address all communications and shipments to:

Federal Signal Corporation
Industrial Systems
2645 Federal Signal Drive • University Park, IL 60484-3167
Tel: +1 708-534-4756 • +1 877 289 3246 • Fax: 708-534-4852
Email: elp@federalsignal.com • www.federalsignal-indust.com

2. Replacement Parts.

WARNING

Replace fuse with GMC-1/2 only. DO NOT substitute.

Description	Part Number
PC Board, 310-MV	K2001915
Potentiometer	K106A123
Toggle Switch	K122A298
Push Button Switch	K122A299
Knob, Pot	K141A129
Rubber Boot (Toggle Switch)	K288801
Rubber Boot (Pushbutton Switch)	K288A541
Rubber Boot (Volume Control)	K288A542
Terminal Block	K140A326-01
310-MV/310X-MV Speaker/Housing Assy.	K8590217
Housing Cover Plate	K8502106
Housing Cover Plate w/microphone receptacle	K8502107
Housing Cover Plate w/microphone conversion	K8502016
Cover Gasket	K8590013
Resistor, 1K, 1W	K101216
Fuse, GMC-1/2	K148A155
PC Board, 310X-MV	K2001915-02
Permanent Slave Kit	K8502017
Mini-jumpers	K139A209

INSTRUCCIONES PARA LA INSTALACIÓN Y EL MANTENIMIENTO DEL MODELO 310-MV, MODELO 310X-MV Y MODELO 310MV-MNC

ADVERTENCIA DE SEGURIDAD PARA INSTALADORES, USUARIOS Y PERSONAL DE MANTENIMIENTO

Es importante seguir todas las instrucciones enviadas con este producto. Este dispositivo debe ser instalado por un electricista preparado que conozca plenamente el Código Eléctrico Nacional y siga las Normas del CEN además de los códigos locales. La instalación para usos marinos debe conformarse al Título 46, CFR, Secciones 110-113.

La selección del lugar de montaje del dispositivo, sus controles y el encaminamiento del cableado debe llevarse a cabo bajo la dirección del encargado de instalaciones y seguridad. Además, se exponen a continuación otras instrucciones y precauciones para la seguridad que usted debe seguir:

- Este aparato no está clasificado como un dispositivo de seguridad y no debe intentarse usarlo como tal.
- Lea y entienda todas las instrucciones antes de instalar y encender este equipo.
- Desenchufe el suministro de energía antes de encender el equipo o efectuar cualquier labor de mantenimiento en este intercomunicador.
- Todos los altavoces usados como avisadores producen sonidos fuertes que, en ciertos casos, pueden causar pérdida permanente del oído. Usted debe adoptar precauciones adecuadas, tales como llevar protectores de oídos.
- Después de terminar una prueba, suministre copia de estas instrucciones a todo el personal activo.
- Determine un procedimiento para verificar rutinariamente la integridad y el correcto funcionamiento de la instalación del intercomunicador. Toda labor de mantenimiento debe ser realizada por un electricista preparado que conozca plenamente el Código Eléctrico Nacional y siga las Normas del CEN además de los códigos locales.

Si no se siguen todas las precauciones e instrucciones de seguridad, se puede ocasionar daños, lesiones graves o la muerte a usted mismo u otras personas.

A. Características Generales.

El intercomunicador 310-MV es un dispositivo de comunicaciones bidireccional de trabajo pesado diseñado para aplicaciones industriales. Las tensiones de funcionamiento nominales incluyen 120/240VCA, 50/60Hz, y 24VCC. En el modelo para 120/240VCA, los cambios de tensión se efectúan mediante un interruptor interno y la línea de CA tiene un fusible tipo GMC de 1/2 amp, 250 voltios. La unidad ofrece también funcionamiento con línea equilibrada o desequilibrada internamente seleccionable, entradas de audio aisladas con transformador y configuraciones de los modos Maestro o Satélite internamente seleccionables.

Los modelos 310-MV y 310X-MV tienen cajas de tipo NEMA 4X, están certificados por el UL como aparatos de señales y aparatos marinos de señales de tipo NM (sin monitor) y son también aparatos de señales certificados por la CSA. El modelo 310X-MV también está certificado para instalaciones en áreas peligrosas de Clase I, División 2, Grupos A, B, C y D; Clase II, División 2, Grupos F y G; y Clase III.

El 310-MV-MNC incluye un micrófono manual con eliminación de ruidos y debe emplearse únicamente en aplicaciones al interior.

El cableado de todos los circuitos conectados con el Intercomunicador 310X-MV utilizando los métodos de cableado Clase I, División 2, especificados en el Artículo 501-4(b) del CEN.

MODO MAESTRO:

Cada intercomunicador se puede configurar como unidad Maestro (Pulsar para Hablar) o como unidad Secundaria (Pulsar para Escuchar) cambiando el puente MAS/SLA (J7) en la placa de circuito impreso (ver la figura 1). El intercomunicador se despacha de la fábrica puesto en el Modo Maestro (MAS).

En el modo de Maestro, el intercomunicador actúa como amplificador, emitiendo constantemente a través de su altavoz cualquier señal que reciba a través de los cables de señales. Si se mantiene oprimido el interruptor para Escuchar/Hablar, la unidad se convierte de altavoz en micrófono (figura 2). El intercomunicador transmite entonces a lo largo de los cables hasta uno o más intercomunicadores adicionales también puestos en el modo de maestro. Al soltarse el interruptor, la unidad regresa al modo de Escuchar o Altavoz, permitiendo al usuario escuchar cualquier contestación a su mensaje.

MODO SATÉLITE:

Ciertas aplicaciones pueden exigir que el intercomunicador transmita constantemente (o sea, actuar como micrófono), en vez de recibir constantemente (actuar como altavoz). Para lograr esto, este intercomunicador se debe colocar en el modo de Intercom. Satélite (Pulsar para Hablar).

Para poner un intercomunicador en el modo Satélite se deben seguir tres pasos.

ADVERTENCIA

Desconecte la energía del intercomunicador antes de proceder a realizar ningún cambio de la instalación, operación de mantenimiento o cambio de la configuración.

Cambie el puente J2 en la placa de la posición MAS a la posición SLA (véase la figura 1). Esto se puede hacer empleando alicates puntiagudos, tirando del bloque para sacarlo del punto “MAS” y el central y colocándolo entonces en el punto “SLA” y el central.

Un intercomunicador puesto en el modo Satélite necesita que el interruptor de Escuchar/Hablar esté normalmente en la posición de “hablar” en la cubierta (véase la figura 3).

El segundo cambio necesario es girar la posición del interruptor de Escuchar/Hablar. Esto se hace aflojando el manguito de caucho que cubre el interruptor de palanca lo suficiente para que gire 180 grados. El hoyuelo en el aro de fijación debe calzar en el orificio de posición (véase la figura 4). El manguito de goma se debe entonces apretar contra la cubierta, quedando el interruptor de palanca indicando la posición de hablar, como ilustra la figura 3.

El tercer cambio se refiere al cableado de interconexión. Cuando una unidad se pone en el modo de intercomunicador Satélite, ésta adopta por defecto la posición de Hablar o transmitir. Si se la conecta a una unidad Maestro, es necesario anular la unidad Secundaria con el fin de que la unidad Maestro pueda transmitir. La clavija N° 6 (remoto) de ambos bloques de bornas (véase la figura 5) debe conectarse entre la unidad Maestro y la Secundaria. El párrafo G. ESQUEMAS DE CABLEADO, contiene esquemas de cableado de configuraciones típicas de intercomunicadores.

MANDO A DISTANCIA:

El mando a distancia se emplea para cambiar el modo de operación de un intercomunicador distante de escuchar a hablar, o a la inversa, mediante la activación de un intercomunicador local. La sección del esquema de cableado ilustra la Instalación de Maestro/Satélite y el los Esquemas para el Uso de Interruptores de Pie. (Véanse las figuras 8 y 9).

Los interruptores de pie, normalmente abiertos, también se pueden conectar a la línea de Mando a Distancia con el objeto de permitir el accionamiento de las funciones Escuchar/Hablar sin usar las manos.

BOTON PARA LLAMAR:

Pulsando el botón para llamar se envía un tono de 1kHz por los cables de señales. Todas las unidades que escuchan en la línea transmiten esta señal como una llamada.

ADVERTENCIA

La señal de la llamada es notablemente más intensa que los mensajes de voz normales que conducen los cables. No oprima el interruptor mientras sostenga una conversación con otra persona en el sistema. Esto ocasionaría niveles de ruido muy altos a su interlocutor.

El volumen de la señal de llamada es afectado por el control de volumen de la unidad receptora, por lo cual, si el volumen se baja por completo en una estación receptora, la señal de la llamada no se podrá escuchar. Para evitar este problema, los contactos secos de la llamada se pueden utilizar para impulsar un dispositivo de señalización externo.

CONTACTOS SECOS DE LLAMADAS PARA DISPOSITIVOS EXTERNOS:

Presionando el botón de llamada también se cierra un contacto seco normalmente abierto clasificado en 0,4A a 125VCA ó 1,0 amp a 24VCC. Este contacto se puede utilizar para disparar un resonador o una lámpara a distancia para acentuar la prestación de llamadas. El diagrama de cableado ilustra la manera en que se puede conectar una lámpara o una bocina exterior para aumentar el tono de la llamada. (Véase la figura 10).

OPCION DE MICROFONO:

Pulsando el micrófono (PTT) también se pone el intercomunicador en el modo de hablar y el micrófono anula el altavoz. En los entornos ruidosos, se recomienda emplear un micrófono manual con eliminación de ruidos.

Existe un kit optativo para la conversión del micrófono manual (Pieza N° K8502016) destinada al Modelo 310-MV. Este kit para instalar en el terreno incluye una nueva placa de cobertura con un enchufe para micrófono de 1/4” y un micrófono.

PRECAUCIÓN

Las unidades dotadas de micrófonos optativos no están indicadas por la Clasificación de UL para usarse en lugares que presenten peligros, en aplicaciones Marinas o con cajas de clasificación Tipo 4X. Las unidades con micrófono optativo deben utilizarse en aplicaciones interiores únicamente.

24VCC:

Cuando conecte el intercomunicador a una fuente de 24 voltios de corriente continua (CC), el conductor de alimentación positivo (+) deberá estar provisto de un fusible de 1/2 A, o se deberá usar una fuente de alimentación con limitación de potencia.

El 310 es capaz de enviar una señal de energía de CC a otra unidad situada a distancia que no tenga energía propia. Las clavijas 4 y 5 del bloque de bornas suministran 24VCC. Este potencial puede aplicarse junto con las líneas de señales hasta el intercomunicador distante. Solamente una unidad puede compartir la fuente de energía de otra unidad en cualquier instalación.

NOTA

Conecte el conductor de alimentación positivo (+) al pin #4 del bloque de terminales. Conecte el conductor de alimentación negativo (-) al pin #5 del bloque de terminales.

La figura 11 de la sección del esquema de cableado ilustra la manera de conectar dos intercomunicadores si se dispone de energía en el punto distante.

LINEA AISLADA EQUILIBRADA/DESEQUILIBRADA:

Las señales de audio del 310 se transmiten mediante un par de alambres empleando tecnología de línea equilibrada. Esto significa que cada alambre acarrea una señal de polaridad contraria a la otra. En la entrada del intercomunicador hay un transformador de línea equilibrada aislada. Dicho transformador sustrae las dos señales, una de la otra, y suministra una salida libre de los ruidos generados en los alambres por alguna otra fuente de ruidos, tal como un motor o una lámpara próxima a los alambres.

El aislamiento proporcionado por el transformador significa que las tomas de tierra de las unidades no están conectadas por las líneas de audio. Por tanto, se evitan bucles de tierra y otros problemas ocasionados por los sistemas no aislados. La polaridad de las líneas de audio entre los bornes de señal (+) y (-) no necesita mantenerse.

Se puede usar un cable blindado en las instalaciones en que se prevén problemas de interferencia extremos. El blindaje se debe conectar siempre con la toma de tierra de uno de los intercomunicadores. Si se conecta el blindaje a la toma de tierra de ambos extremos, se ocasiona que fluyan corrientes de tierra a través del blindaje, lo cual podría producir zumbidos en el sistema.

Al dorso del manual hay varios diagramas para facilitar el cableado para la interconexión de varios intercomunicadores. La sección del esquema del cableado ilustra la interconexión equilibrada y desequilibrada junto con la forma de utilizar un cable blindado de audio. (Véanse las figuras 12 a 15). También se ilustra la interconexión de varios intercomunicadores.

PROTECCION CONTRA SOBREVOLTAJE MOMENTANEO:

Para proteger las líneas de audio y la línea de mando a distancia se emplean dispositivos Varistor de Oxido Metálico (MOV). El intercomunicador debe contar con Terminación de Toma de Tierra para asegurar la debida protección contra sobrevoltaje.

El amplificador de salida del 310 ofrece completa protección contra cortocircuitos y contra el recalentamiento.

MODELO 310-MV, 310X-MV, 310-MV-MNC DATOS TECNICOS:

Tensión de Funcionamiento	24 VCC, 120 VCA y 240 VAC 50/60 Hz		
Llamada de Corriente	Tensión	Funcionando	De Reserva
	24 VCC	260 mA	62 mA
	120 VCA	163 mA	70 mA
	240 VCA	82 mA	35 mA
Datos Técnicos del Amplificador			
Respuesta en Frecuencia (-6dB)	150 Hz a 12 kHz		
Impedancia de Entrada	3400 Ohmios		
Tensión Max. de Salida			
Onda Sinusoidal:			
Salida Equilibrada	15 Vrms		
Salida No Equilibrada	7,5 Vrms		
Onda Cuadrada			
Salida Equilibrada	19 Vrms		
Salida Desequilibrada	9,5 Vrms		
Clasificación del Altavoz	30 watios		
Impedancia del Altavoz	16 ohmios		
Rango de temperatura para ubicaciones habituales	-31° F hasta +150° F (-35° C hasta +66° C)		
Rango de temperatura para ubicaciones peligrosas	+41° F hasta +149° F (+5° C hasta +65° C)		
Tipo de Fusible GMC-1/2	1/2 A, 250 V		
Clasif. de Contacto de Interruptor de Llamada	400 mA a 125 VCA 1,25 A a 24 VCC		
Peso			
Despacho	11 lb, 5 onzas		
Neto	9 lb, 14 onzas		
Dimensiones de la Caja	6-7/8" de Ancho x 10-3/8" Alt. x 4-3/4" Prof.		

Entradas de Conductos de Cables	Dobles 1/2" - 14 IPS
Material de la Caja	Aluminio
Color	Gris
Certificaciones de las agencias	
310-MV (sin micrófono opcional)	UL (UEHX), (UXPL, Marino) y CSA—Para uso bajo techo o externo, con caja tipo 4X.
310-MV-MNC (con micrófono)	UL (UEHX), CSA—Para uso bajo techo solamente.
310X-MV	UL (UJXP y UJXP7), (UXPL, Marino) y CSA—Para uso bajo techo o externo en áreas peligrosas de tipo Clase I, División 2 Grupos A, B, C y D; Clase II, División 2 Grupos F y G; y Clase III, caja de tipo 4X.

Este equipo es apto para uso en lugares Clase I, División 2, Grupos A, B, C y D; Clase II, División 2, Grupos F y G; Clase III o lugares no peligrosas solamente.

ADVERTENCIA—PELIGRO DE EXPLOSION—La sustitución de cualquiera de los componentes puede dañar la aplicabilidad para Clase I, División 2, Grupos A, B, C y D; Clase II, División 2, Grupos F y G; y Clase III.

ADVERTENCIA—PELIGRO DE EXPLOSION—No desconecte el equipo, excepto que se haya desconectado la alimentación eléctrica o que sepa que el área no representa ningún riesgo.

B. Desembalaje.

Después de desempaquetar el Modelo 310, examínelo por si presenta daños que puedan haber ocurrido durante el tránsito. Si el equipo está dañado, no intente instalarlo ni ponerlo en funcionamiento. Haga inmediatamente la reclamación a la empresa de transporte detallando la extensión de los daños. Revise cuidadosamente todos los sobres, las etiquetas de embarque y las orejetas antes de quitarlas o desecharlas.

C. Lista del Contenido del Kit.

Ctd.	Descripción	Pieza Número
1	Bloque de Conexiones	140A326-01
2	Tornillos, Cabeza Phillips	
3	Arandelas	
4	Instrucciones	2561013
5	Resistor, 1K, 1W	101216

D. Montaje.

PRECAUCIÓN

La selección del lugar de montaje del dispositivo, sus controles y el encaminamiento del cableado debe llevarse a cabo bajo la dirección del encargado de instalaciones y seguridad.

El intercomunicador ha sido diseñado para ser montado sobre una superficie rígida y relativamente plana, soportado por las dos orejas de montaje situadas en el exterior de la caja. La Figura 6 es un dibujo de contorno dimensional que muestra la configuración de montaje correcta. Las dos orejas de montaje tienen agujeros de 13/32" de diámetro, espaciados a una distancia de 5-5/8". Los herrajes necesarios para montar el intercomunicador sobre la superficie deben ser suministrados por el instalador.

ADVERTENCIA

La unidad es pesada y debe montarse sobre una superficie rígida capaz de soportar el peso del intercomunicador.

La caja del intercomunicador tiene dos aberturas de 1/2"-14 IPS en la parte inferior. Al fijar el conducto a estas aberturas, selle las roscas con compuesto para sellar tuberías u otro material similar.

ADVERTENCIA

Para aplicaciones a bordo, las instalaciones deben conformarse a las normativas de United States Coast Guard, Title 46 CFR, Parts 110-113.

E. Conexiones Eléctricas.

ADVERTENCIA

No conecte los cables mientras esté aplicada la energía.

Todo el cableado que llega al intercomunicador termina en el bloque de bornas suministrado. El bloque de terminales enchufa

de una sola manera en un cabezal de la placa del PC y está configurado de tal forma que sólo puede entrar de una manera. La Figura 7 ilustra la orientación del bloque de circuitos y describe la función de cada posición.

En la placa del PC hay tres puentes en la Figura 7 que puede ser necesario cambiar según la forma en que se utilice el intercomunicador. J5 y J6 son para emplear el intercomunicador en la configuración de línea de señales equilibrada o de línea de señales desequilibrada. Ambas deben cambiarse juntas, como un par. Las mismas vienen fijadas de fábrica en la posición de línea equilibrada. J7 es para configurar el intercomunicador en la posición de dispositivo maestro o satélite. El intercomunicador viene fijado de fábrica en la posición de dispositivo maestro.

En la placa hay un interruptor para elegir el funcionamiento de la placa con 120VCA ó 240VCA. Este interruptor viene fijado de fábrica para que el intercomunicador funcione con 120VCA (véase la figura 7).

Las configuraciones típicas del intercomunicador se ilustran en las figuras 8 a 15.

PRECAUCIÓN

Los circuitos del Modelo 310X no son circuitos de cableado no incendivos, salvo los interruptores de pie. Todos los circuitos que llegan al Intercomunicador 310X se deben conectar empleando los métodos de cableado Clase I, División 2, especificados en el Artículo 501-4(b) del CEN.

F. Mantenimiento.

ADVERTENCIA

Toda labor de mantenimiento debe ser realizada por un electricista preparado que conozca plenamente el Código Eléctrico Nacional y siga las Normas del CEN además de los códigos locales.

1. Generalidades.

ADVERTENCIA

La señal de la llamada es sustancialmente más intensa que los mensajes de voz normales que conducen los cables.

No oprima el interruptor mientras sostenga una conversación con otra persona en el sistema.

Esto ocasionaría niveles de ruido muy altos a su interlocutor.

Federal Signal prestará mantenimiento a sus equipos o le suministrará asistencia técnica con respecto a cualquier problema que no pueda solucionarse en su localidad.

Toda unidad remitida a Federal Signal para su mantenimiento, revisión o reparación debe venir acompañada de una Autorización de Material Devuelto. Esta A. de M. D. se puede obtener de cualquier Distribuidor o Representante del Fabricante.

En esa oportunidad se debe ofrecer una breve explicación de la naturaleza del fallo. Todas las comunicaciones y envíos deben dirigirse a:

Federal Signal Corporation
Industrial Systems
2645 Federal Signal Drive • University Park, IL 60484-3167
Tel: +1 708-534-4756 • +1 877 289 3246 • Fax: 708-534-4852
Email: elp@federalsignal.com • www.federalsignal-indust.com

2. Recambios.

ADVERTENCIA

Cambie el fusible solamente por uno GMC-1/2. NO utilice un sustituto.

Descripción	Nº de Pieza
Placa de Circuito Impreso, 310-MV	K2001915
Potenciómetro	K106A123
Interruptor de Palanca	K122A298
Interruptor de Pulsador	K122A299
Perilla, Potenciómetro	K141A129
Bota de goma (Interruptor de balancín)	K288801
Bota de goma (Interruptor de botón)	K288A541
Bota de goma (Control de volumen)	K288A542
Bloque de terminales	K140A326-01
Conjunto de caja para el modelo 310-MV/310X-MV con altoparlante	K8590217
Placa de cubierta de la caja	K8502106
Placa de cubierta de la caja con receptáculo de micrófono	K8502107
Placa de la cubierta de la caja con conversión para micrófono	K8502016
Empaque para la cubierta	K8590013

Resistencia, 1K, 1W
Fusible, GMC-1/2
Tarjeta de circuito impreso, 310X-MV
Conjunto esclavo permanente
Mini-puentes

K101216
K148A155
K2001915-02
K8502017
K139A209

INSTRUCTIONS D'INSTALLATION ET DE MAINTENANCE POUR LE MODÈLE 310-MV, LE MODÈLE 310X-MV ET LE MODÈLE 310-MV-MNC

MESSAGE DE SÉCURITÉ PUR LES INSTALLATEURS, LES UTILISATEURS ET LE PERSONNEL DE MAINTENANCE

Il est important de suivre toutes les informations expédiées avec ce produit. Cet appareil est à être installé par un électricien qualifié qui est entièrement familier avec le Code Électrique National et qui suivra aussi bien les Directives NEC (Code Électrique National) que les codes locaux. Les installations marines devront être en conformité avec le Titre 46, CFR, Parties 110-113.

La sélection de l'emplacement du support pour l'appareil, de ses commandes et du chemin de câblage est à être exécutée sous la direction de l'Ingénieur des Installations et l'Ingénieur de la Sécurité. En complément, sont listées ci-dessous quelques unes des instructions et consignes de sécurité importantes que vous devez suivre:

- Ce modèle n'est pas considéré comme une unité d'urgence et ne doit pas être utilisé pour ce but.
- Lire et comprendre toutes les instructions avant d'installer ou de faire fonctionner cet équipement.
- Déconnecter de l'alimentation électrique avant de brancher ou d'effectuer des travaux de maintenance sur cet interphone.
- Tous les haut-parleurs efficaces produisent des sons importants qui peuvent causer, dans certaines situations, une perte permanente de l'ouïe. Vous devez prendre les précautions nécessaires, comme par exemple, porter des protections appropriées.
- Une fois que le test est terminé, fournir une copie de ces instructions à tout le personnel.
- Établir une procédure afin de vérifier de façon régulière le bon fonctionnement et l'intégrité de l'installation de l'interphone. Toute la maintenance doit être effectuée par un électricien qualifié en conformité avec les directives NEC et les codes locaux.

Le non respect de l'observation de toutes les consignes et instructions de sécurité peut conduire à des dégâts sur les équipements, de sérieuses blessures ou votre mort ou celles des autres.

A. Caractéristiques Générales.

L'interphone 310-MV est un appareil de communication, robuste à 2 voies pour des applications industrielles. Les tensions normales de fonctionnement sont 120/240V CA, 50/60 Hz et 24V CC. Les changements de tension pour le 120/240 V sont effectués internement par un commutateur de sélection et la ligne en courant direct est équipée d'un fusible 250 volts 1/2 ampères, de type GMC. L'unité offre également un fonctionnement qui peut être sélectionné de façon interne en ligne équilibrée ou déséquilibrée, des entrées audio isolées par transformateur et des configurations de mode esclave ou maître qui peuvent également être sélectionnés. Un bouton d'appel avec des contacts à sec d'appel à distance est également monté en usine et fourni sur cette unité. Un microphone portable à annulation de bruit en option est disponible pour des applications avec des bruits ambiants importants.

Le 310-MV et le 310X-MV ont des coffrets de type 4X et sont homologués UL comme dispositifs de signalisation de type non surveillés et dispositifs de signalisation marine pour usage intérieur et extérieur et ils sont des dispositifs de signalisation homologués CSA. Le 310X-MV est aussi homologué pour la classe I, division 2, groupes A, B, C et D; la classe II, division 2 groupe F et G; et la classe III.

Le 310-MV-MNC possède un microphone portable à annulation de bruit et devra uniquement être utilisé pour des applications à l'intérieur.

Brancher tous les circuits connectés sur l'interphone 310X-MV en utilisant les méthodes de câblage de la Classe I, Division 2 spécifié dans l'article 501-4(b) de NEC.

MODE MAÎTRE:

Chaque interphone peut être configuré comme une unité Maître (pousser pour parler) ou comme une unité Esclave (Pousser pour écouter) en changeant le cavalier MAS/SLA (J7) sur la carte de circuit imprimé (se reporter à la figure 1). L'interphone est réglé en usine dans le mode Maître (MAS).

Dans le mode Maître, l'interphone agit comme un amplificateur, diffusant constamment sur son haut-parleur tout signal qu'il reçoit sur les lignes de signal. Maintenant basculé vers la bas l'interrupteur Écoute/parole transforme l'unité d'un haut-parleur en un microphone (se reporter à la figure 2). L'interphone transmettra alors sur les lignes de signal vers un ou des interphone(s) additionnels également réglés sur le mode maître. Lorsque l'interrupteur est relâché, il remettra par défaut l'unité en mode Écoute ou Haut-parleur, permettant à l'utilisateur de recevoir n'importe quel message lui étant retransmis.

MODE ESCLAVE:

Quelques applications nécessitent que l'interphone transmette constamment (c'est à dire agisse comme un microphone) à l'opposé d'être constamment un récepteur (c'est à dire agisse comme un haut-parleur). Pour pouvoir effectuer cela, l'interphone doit être commuté sur le mode Esclave (Pousser pour écouter).

Pour mettre un interphone dans le mode esclave, il y a trois étapes à suivre.

AVERTISSEMENT

Débrancher l'alimentation électrique de l'interphone avant que toute installation, maintenance ou changements de configuration soient exécutés.

Déplacer le bloc de cavalier J2 sur la carte de circuit imprimé de la position MAS à la position SLA (se reporter à la figure 1). Ceci peut être effectué en utilisant des pinces à long nez, en tirant le bloc hors de la position "MAS" et centrale et en le plaçant sur la position "SLA" et centrale.

Un interphone configuré dans le mode esclave a besoin d'avoir l'interrupteur Écoute/Parole mis par défaut sur la position parole sur la plaque de couverture (se reporter à la figure 3).

Le second changement nécessaire est qu'il faut tourner la position de l'interrupteur Écoute/parole. Ceci peut être exécuté en desserrant suffisamment la bande en caoutchouc couvrant l'interrupteur de commutation pour que l'interrupteur de commutation soit tourné de 180 degrés. Le bossage sur l'anneau de freinage doit être positionné sur le trou de positionnement (se reporter à la figure 4). La bande en caoutchouc est alors resserrée contre la plaque de couverture avec l'interrupteur de commutation étant appuyé dans la position parole, comme cela est montré sur la figure 3.

Le troisième changement à effectuer concerne le câblage de l'interconnexion. Lorsque l'unité est placée dans le mode Esclave, elle se met par défaut sur la position parole ou transmission. Lorsqu'elle est reliée à une unité Maître, il est nécessaire d'interrompre l'unité Esclave de façon à ce que l'unité Maître soit capable de transmettre. La broche No 6 (à distance) sur les deux blocs de terminaux (se reporter à la figure 5) doit être connectée entre l'unité Maître et l'unité Esclave. Le paragraphe G. DIAGRAMMES DE CÂBLAGE contient les diagrammes de câblage de configuration d'interphone normale.

CONTRÔLE A DISTANCE:

Le contrôle à distance est utilisé pour changer le mode de fonctionnement d'écoute à parole ou de parole à écoute d'un interphone à distance sur l'activation d'un interphone local. La section du diagramme de câblage illustre le diagramme de l'installation Maître/Esclave et le diagramme de l'utilisation des interrupteurs à commande au pied. (Se reporter aux figures 8 et 9).

Les interrupteurs à commande au pied normalement ouverts peuvent également être connectés à une ligne de contrôle à distance de façon à permettre un fonctionnement "à mains libres" des fonctions Écoute/parole.

BOUTON D'APPEL:

Appuyer sur le bouton d'appel envoie une tonalité 1 kHz sur les lignes de signal. Toutes les unités écoutant sur la ligne diffuseront alors ce signal comme un appel.

PRÉCAUTION

Le signal d'appel est considérablement plus fort que les messages à voix normale étant transportés sur la ligne. Ne pas appuyer sur l'interrupteur d'appel pendant une conversation avec quelqu'un sur le système. Ceci fera subir à l'écouteur des niveaux de son très élevés.

Le volume du signal d'appel est affecté par le contrôle du volume sur l'unité de réception, et de ce fait, si le volume est complètement baissé à la station de réception, le signal d'appel ne sera pas entendu. Afin de pouvoir éviter ce problème, des contacts à sec d'appel peuvent être utilisés, pour commander l'appareil de signalisation externe.

CONTACTS A SEC D'APPEL A L'APPAREIL EXTERNE:

Appuyer sur le bouton d'appel ferme également un contact à sec normalement ouvert ayant une valeur nominale de 4 ampères @ 125V CC ou 1,0 ampères @ 24V CC. Ce contact peut être utilisé pour déclencher une alarme sonore ou une lampe à distance de façon à accentuer la caractéristique d'appel. Le diagramme de câblage illustre comment une lampe externe ou un klaxon peuvent être câblés afin d'augmenter la tonalité d'appel (se reporter à la figure 10).

OPTION MICROPHONE:

Brancher le microphone (PTT) place l'interphone dans un mode de parole avec le microphone qui interrompt le haut-parleur. Un microphone portable à annulation de bruit est recommandé pour le fonctionnement dans des environnements ambiants bruyants.

Un kit de conversion de microphone portable optionnel (No de pièce K8502016) est disponible pour le Modèle 310-MV. Ce kit qui peut être installé sur site comprend une nouvelle plaque de couverture avec une prise pour microphone 1/4" et un microphone.

PRÉCAUTION

Les unités avec des microphones en option ne sont pas listées UL pour une utilisation dans des zones dangereuses, marines ou pour des valeurs nominales d'enceinte de Type 4X. Les unités avec un microphone en option devront uniquement être utilisées pour des applications à l'intérieur.

24V CC:

Quand vous connectez l'interphone à 24 volts c.c., le conducteur positif (+) doit être protégé par fusible de 1/2 A à la source ou bien, une source avec limiteur de puissance doit être employée.

Le 310 est capable d'envoyer une alimentation électrique en courant continu sur une autre unité lorsqu'il est monté dans un emplacement à distance sans qu'il y a d'alimentation électrique locale disponible. La tension de 24 VCC est disponible à partir des broches 4 et 5 du bloc de bornes. Une seule unité devra partager l'alimentation électrique d'une autre unité dans toute installation.

REMARQUE

Connecter le conducteur d'alimentation positif (+) à la broche #4 du bloc de bornes. Connecter le connecteur d'alimentation négatif (-) à la broche #5 du bloc de bornes.

La figure 11 dans la section des diagrammes de câblage montre comment deux interphones peuvent être branchés si aucune alimentation électrique à distance n'est disponible.

LIGNES ISOLÉES ÉQUILIBRÉES/DÉSÉQUILIBRÉES:

Les signaux audio pour le 310 sont transmis sur une paire de fil utilisant la technologie de ligne équilibrée. Cela signifie que chaque fil transporte un signal qui est à l'opposé en polarité à l'autre. A l'entrée de l'interphone, se trouve un transformateur de ligne équilibrée isolée. Ce transformateur soustrait les deux signaux l'un par rapport à l'autre donnant une sortie sans bruit créé sur les fils par quelque autre source de bruit comme un moteur ou un appareil d'éclairage près des fils.

L'isolation fournit par le transformateur signifie que les mises à la terre des unités ne sont pas connectées par les lignes audio. De ce fait, les boucles de terre et les autres problèmes créés par des systèmes qui ne sont pas isolés sont évités. La polarité des lignes audio entre les bornes de signal (+) et (-) n'a pas besoin d'être maintenue.

Un câble blindé peut être utilisé dans les installations lorsque des problèmes extrêmes provenant des interférences sont suspectés. Le blindage devra toujours être connecté à la terre de l'un des interphones uniquement. Connecter le blindage à la terre des deux interphones provoquera des courants de terre qui passeront dans le blindage qui pourrait provoquer un bourdonnement dans le système.

Il y a plusieurs diagrammes à la fin du portable pour vous aider à câbler les interphones ensemble. La section de diagramme de câblage illustre les interconnexions des lignes équilibrées et déséquilibrées avec la façon dont le câble audio blindé devra être utilisé. (Se reporter aux figures de 12 à 15). Elle illustre également les interconnexions d'interphone multiples.

PROTECTION CONTRE LES SURTENSIONS:

Des appareils varistor à oxyde métallique (MOV) sont utilisés pour protéger les lignes audio et les lignes de contrôle à distance. L'interphone doit avoir une mise à la terre se terminant sur ceux-ci afin de pouvoir assurer une protection contre les surtensions.

L'amplificateur de sortie du 310 offre une protection contre les court-circuits complète et une protection contre les surchauffes.

SPÉCIFICATIONS MODÈLES 310-MV, 310X-MV, 310-MV-MNC:

Tension de fonctionnement	24 V CC, 120 V CA et 240 V CA, 50/60 Hz		
Intensité utilisée	Tension	Fonctionnement	Attente
	24 V CC	260 mA	62 mA
	120 V CA	163 mA	70 mA
	240 V CA	82 mA	35 mA
Spécifications de l'amplificateur			
Réponse de fréquence	de 150 Hz à 12 kHz		
Impédance d'entrée	3400 ohms		
Tension d sortie max.			
Onde sinusoïdale			
Sortie équilibrée	15 Vrms		
Sortie déséquilibrée	7,5 Vrms		
Onde carrée			
Sortie équilibrée	19 Vrms		
Sortie déséquilibrée	9,5 Vrms		

Puissance nominale du haut-parleur	30 watts
Impédance du haut-parleur	16 ohms
Échelle de température pour les lieux ordinaires	-31° F à +150° F (-35° C à +66° C)
Échelle de température pour les lieux à risques	+41° F à +149° F (+5° C à +65° C)
Fusible type GMC-1/2	1/2 ampères, 250 volts
Valeur nominale du contact d'interrupteur d'appel	400 mA à 124V CA 1, 25 A à 24V CC
Poids	
Expédition	11 livres et 5 onces
Net	9 livres et 14 onces
Dimensions du boîtier	Largeur: 6 - 7/8"; Hauteur: 10-3/8"; Profondeur: 4-3/4"
Entrées de conduit	Double 1/2" - 14 IPS
Matériel du boîtier	Aluminium
Coloris	Gris
Homologations d'agences	
310-MV (sans microphone facultatif)	UL (UEHX), (UXPL, Marine) et CSA - Pour usage intérieur et extérieur, coffret de type 4X.
310-MV-MNC (avec microphone)	UL (UEHX), CSA - Pour usage intérieur seulement.
310X-MV	UL (UJPX et UJPX7), (UXPL, Marine) et CSA - Pour usage intérieur et extérieur de Classe I, Groupes A, B, C et D, Division 2; Classe II, Division 2 Groupe F et G; et Classe III emplacements dangereux, coffret de type 4X.

Cet équipement est conçu pour être utilisé dans des environnements de Classe I, Division 2, Groupes A, B, C et D; de Classe II, Division 2, Groupes F et G; et de Classe III.

AVERTISSEMENT – RISQUE D’EXPLOSION – Le remplacement de tout composant peut rendre cet équipement impropre à une utilisation en environnement de Classe I, Division 2, Groupes A, B, C et D; Classe II, Division 2, Groupes F et G; et Classe III.

AVERTISSEMENT – RISQUE D’EXPLOSION – Avant de déconnecter l’équipement couper le courant ou s’assurer que l’emplacement est désigné non dangereux.

B. Déballage.

Après avoir déballé le Modèle 310, l'examiner afin de voir s'il a été endommagé pendant le transport. Si l'équipement a subi des dégâts, ne pas essayer de l'installer ou de le faire fonctionner, remplir une demande de réclamation immédiatement avec le transporteur rapportant l'étendue des dégâts. Vérifier avec précaution toutes les enveloppes, les étiquettes et les bandes de marquage d'expédition avant de les ôter ou de les jeter.

Avant d'essayer d'installer l'interphone, s'assurer que toutes les pièces listées sur la LISTE DE CONTENU DE KIT ont été fournies.

C. Liste de Contenu de Kit.

Quantité	Description	Numéro de pièce
1	Bloc de diagramme	140A326-01
4	Vis à tête cruciforme	
4	Rondelles de freinage	
1	Fiche d'instructions	2561013
1	Résistance, 1 K, 1 W	101216

D. Montage.

PRÉCAUTION

La sélection de l'emplacement du montage de l'appareil, de ses commandes et du chemin de câblage est à être exécutée sous la direction de l'Ingénieur des Installations et l'Ingénieur de la Sécurité.

L'interphone est destiné à être monté sur une surface relativement plate et rigide par les deux pattes de montage sur l'extérieur du carter. La figure 6 est un schéma côté montrant la bonne configuration de montage. Les deux pattes de montage ont des

trous de 13/32 po (10,3 mm) écartés de 5-5/8 po (143 mm). Le matériel de montage de l'interphone à la surface sera fourni par l'installateur.

AVERTISSEMENT

Cette unité est lourde et devrait être montée sur une surface rigide capable de supporter le poids de l'interphone.

Le boîtier de l'interphone possède deux ouvertures de 1/2" - 14 IPS sur le bas. Lors de l'installation du conduit dans ces ouvertures, sceller les filetages avec un composé pour tuyau ou tout autre matériel de scellement.

AVERTISSEMENT

Pour des applications à bord de bateaux, les installations devront être en conformité avec United States Coast Gard (Garde Côtier des Etats-Unis) Titre 46 CRF, Parties 110-113.

Pour des unités utilisant le microphone portable à annulation de bruit, installer le clip de montage de microphone fourni sur n'importe quelle surface plane près de l'interphone. Éviter des endroits où le microphone pourrait être exposé à beaucoup de poussière ou d'humidité.

E. Connexions Électriques.

AVERTISSEMENT

Ne pas connecter les fils lorsque l'appareil est sous tension.

Tout le câblage à l'interphone doit être terminé au bloc de bornes fourni. Le bloc de bornes se branche sur l'entête d'une carte de circuit imprimé et est configuré de telle façon qu'il peut uniquement être branché d'une seule façon. La figure 7 montre l'orientation du bloc de câblage et décrit la fonction de chaque position.

Il y a trois cavaliers montrés sur la carte de circuit imprimé sur la figure 7 qui peuvent avoir besoin d'être ôtés en fonction du fonctionnement désiré de l'interphone. J5 et J6 sont pour le fonctionnement de l'interphone soit dans une configuration de ligne de signal équilibrée soit dans une configuration de ligne de signal déséquilibrée. Ils doivent être déplacés ensemble comme une paire. Ils sont réglés en usine dans la position de ligne équilibrée. J7 est pour la configuration de l'interphone pour qu'il soit utilisé soit comme un appareil maître, soit comme un appareil esclave.

L'interphone est réglé en usine dans la position maître.

Il y a un interrupteur sur la carte pour configurer le fonctionnement sur la carte à partir du 120V CA au 240V CA. L'interrupteur est réglé en usine pour que l'interphone fonctionne sur le 120V CA (se reporter à la figure 7).

Se reporter de la figure 8 à la figure 15 pour voir les configurations typiques de l'interphone.

PRÉCAUTION

Les circuits du Modèle 310X ne sont pas des circuits de câblage pour sites non incendiaires sauf pour les interrupteurs à commande au pied. Câbler tous les circuits à l'interphone 310X en utilisant les méthodes de câblage de la Classe I, Division 2 spécifiées dans l'article 501-4 (b) de NEC.

F. Entretien.

PRÉCAUTION

Toute maintenance doit être effectuée par un électricien qualifié en conformité avec les directives NEC et les codes locaux.

1. Généralités.

PRÉCAUTION

Le signal d'appel est considérablement plus fort que les messages à voie normale étant transportés sur la ligne. Ne pas appuyer sur l'interrupteur d'appel pendant une conversation avec quelqu'un sur le système. Ceci fera subir à l'écouteur des niveaux de son très élevés.

L'usine Federal Signal assurera le service de votre équipement ou fournira une assistance technique sur tous les problèmes qui ne peuvent pas être résolus localement avec satisfaction et rapidité.

Si une unité est renvoyée à Federal Signal pour un entretien, une inspection ou une réparation, elle doit être accompagnée par une Notification de retour de matériel (R.M.A.). Une R.M.A. peut être obtenue auprès du distributeur local ou du représentant du fabricant. Une telle notification devra indiquer clairement une courte description du service requis et donner toutes les informations importantes concernant la nature du mauvais fonctionnement.

Adresser toutes les communications et les expéditions à:

Federal Signal Corporation
Industrial Systems
2645 Federal Signal Drive • University Park, IL 60484-3167
Tel: +1 708-534-4756 • +1 877 289 3246 • Fax: 708-534-4852
Email: elp@federalsignal.com • www.federalsignal-indust.com

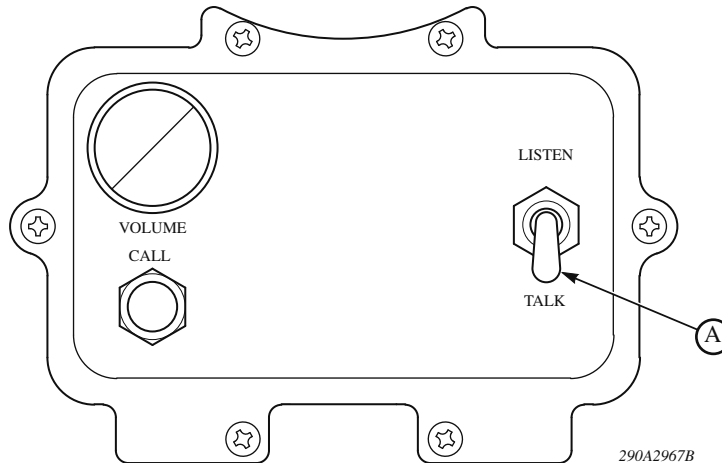
2. Pièces de Remplacement.

AVERTISSEMENT

Remplacer uniquement le fusible avec un GMC - 1/2. Ne pas le substituer pour un autre.

Description	Numéro de pièce
Carte de circuit imprimé, 310-MV	K2001915
Potentiomètre	K106A123
Interrupteur de commutation	K122A298
Interrupteur bouton poussoir	K122A299
Pot, poignée	K141A129
Capuchon en caoutchouc (commutateur à bascule)	K288801
Capuchon en caoutchouc (bouton poussoir)	K288A541
Capuchon en caoutchouc (réglage du volume)	K288A542
Plaque à bornes	K140A326-01
Ensemble haut-parleur/ carter 310-MV/310X-MV	K8590217
Plaque couvercle du carter	K8502106
Plaque couvercle du carter avec logement du microphone	K8502107
Plaque couvercle du carter avec prise de microphone	K8502016
Joint de couvercle	K8590013
Résistance, 1 K,1W	K101216
Fusible, GMC-1/2	K148A155
Plaquette à circuits imprimés, 310-MV	K2001915-02
Kit asservisseur permanent	K8502017
Mini cavaliers	K139A209

1



English

- A. Master slave
- B. To control panel
- C. Noise cancelling microphone jack (optional)

- D. Balance/unbalance
- E. Speaker plug

Español

- A. Maestro Satélite
- B. Al Cuadro de Controles
- C. Enchufe del Micrófono con eliminación de ruidos (optativo)

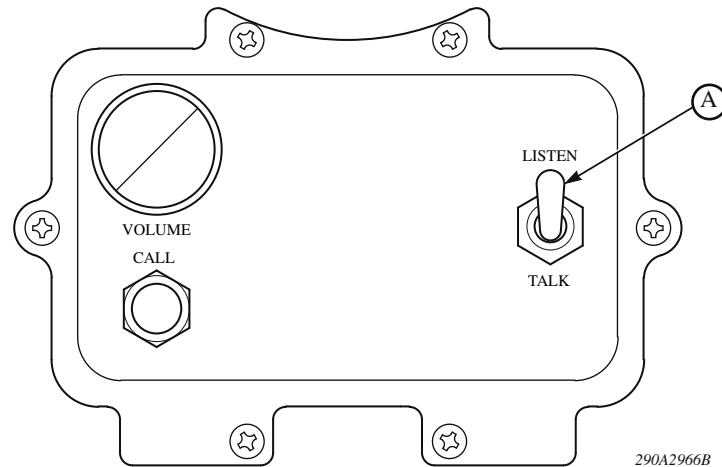
- D. Equilibrado/desequilibrado
- E. Enchufe del altavoz

Français

- A. Maître Esclave
- B. Vers le panneau de contrôle
- C. Prise du microphone annulation de bruit (en option)

- D. Équilibré/déséquilibré
- E. Prise du haut-parleur

2



English

- A. Push down to talk

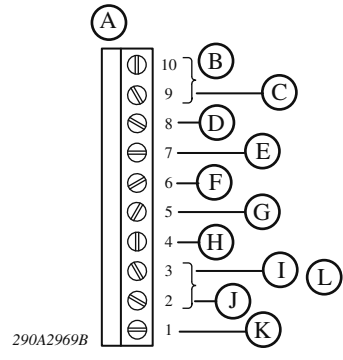
Español

- A. Pulsar para hablar

Français

- A. Pousser en bas pour parler

5



English

- A. Terminal block pinout
- B. Dry contact
- C. For call
- D. Audio (-)
- E. Audio (+)
- F. Remote control

- G. Ground
- H. 24VDC in/out (+)
- I. Neutral
- J. Hot
- K. Earth ground
- L. 120/240VAC in

NOTE: Terminal Block accepts 10 - 22 AWG wire.

Español

- A. Identificación del bloque de terminales
- B. Contacto seco
- C. Para llamar
- D. Audio (-)
- E. Audio (+)
- F. Control remoto

- G. Tierra
- H. Entrada/salida de 24 V CC (+)
- I. Neutro
- J. Vivo
- K. Toma de tierra
- L. 120/240 VCA

NOTA: El bloque de terminales acepta conductores de calibre 10 a 22 AWG (American Wire Gauge).

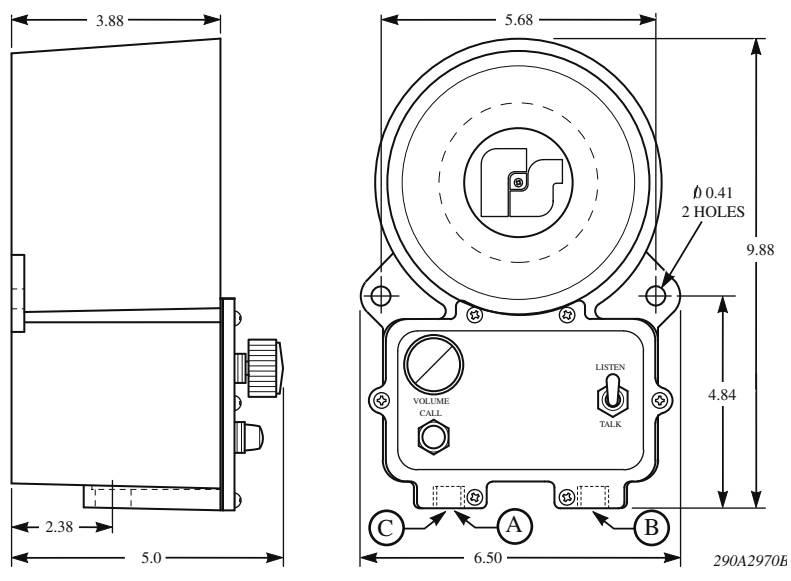
Français

- A. Brochage de la plaque à bornes
- B. Contact sec
- C. Pour appel
- D. Audio (-)
- E. Audio (+)
- F. Télécommande

- G. Terre
- H. Entrée/sortie 24 V c.c. (+)
- I. Neutre
- J. Sous tension
- K. Mise à la terre
- L. Entrée 120/ 240 V c.a.

REMARQUE : La plaque à bornes accepte des fils de 10 à 22 AWG

6



English

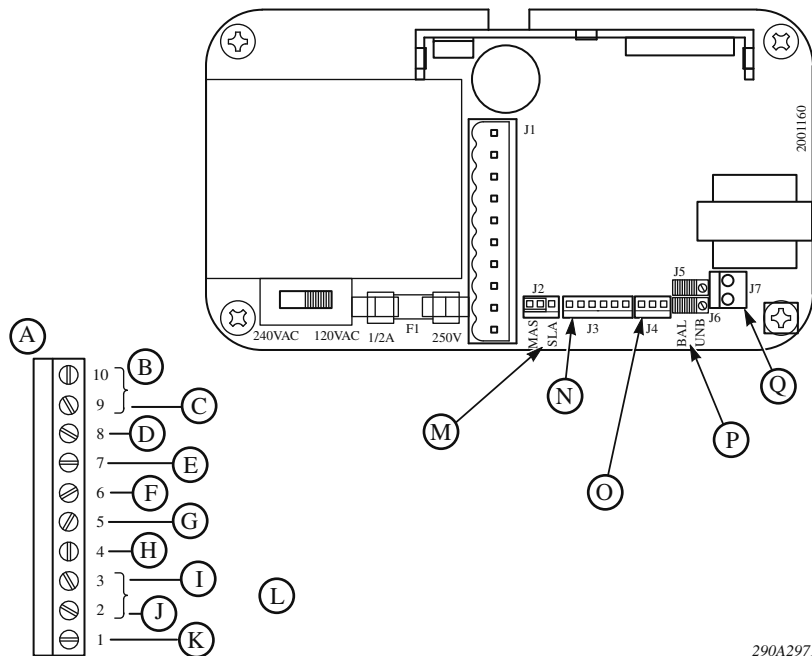
- A. 1/2-14 pipe thread 2 places
- B. Audio (Class 2)
- C. AC input (Class 1) or DC Input/Output (Class 2)
Positive supply conductor must be fused at source with 1/2 A fuse or a power-limited source must be used.

Español

- A. Tubo de 1/2-14 con rosca, 2 lugares
- B. Audio (Clase 2)
- C. Entrada de corriente alterna (CA) (Clase 1), o entrada/salida de corriente continua (CC) (Clase 2). El conductor positivo de la fuente de alimentación debe estar protegido en la fuente por un fusible de 1/2 A, o se debe usar una fuente de alimentación con limitación de potencia.

Français

- A. 2 emplacements filetés pour tuyau 1/2-14
- B. Audio (classe 2)
- C. Entrée c.a. (classe 1) ou entrée/sortie c.c. (classe 2). Le conducteur positif (+) doit être protégé par fusible de 1/2 A à la source ou bien, une source avec limiteur de puissance doit être employée.



290A29711

English

- A. Terminal block pinout
- B. Dry contact
- C. For call
- D. Audio (-)
- E. Audio (+)
- F. Remote control
- G. Ground
- H. 24VDC in/out
- I. Neutral

- J. Hot
- K. Earth ground
- L. 120/240VAC-in
- M. Master slave
- N. To control panel
- O. Noise cancelling microphone jack (optional)
- P. Balance/unbalance
- Q. Speaker plug

Español

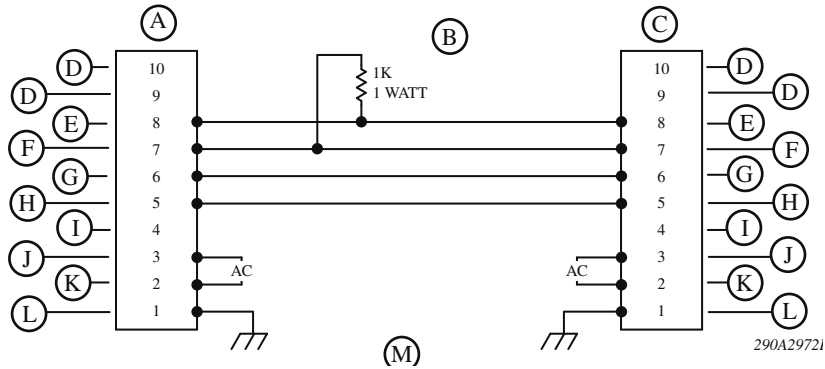
- A. Bloque terminal bornes de salida
- B. Contacto seco
- C. Para llamar
- D. Audio (-)
- E. Audio (+)
- F. Mando a distancia
- G. Tierra
- H. 24VCC ent/sal
- I. Neutro

- J. Vivo
- K. Toma de tierra
- L. 120/240VCA ent
- M. Maestro satélite
- N. Al tablero de controles
- O. Enchufe para micrófono con eliminación de ruidos (optativo)
- P. Equilibrado/desequilibrado
- Q. Enchufe del altavoz

Français

- A. Brochage du bloc de terminal
- B. Contact sec
- C. Pour appel
- D. Audio (-)
- E. Audio (+)
- F. Contrôle a distance
- G. Mise a la terre
- H. Entree/sortie 24V CC
- I. Neutre

- J. Chaud
- K. Mise a la terre
- L. Entree 120/240V CA
- M. Maître esclave
- N. Vers le panneau de contrôle
- O. Prise de microphone a annulation de bruit (en option)
- P. Équilibre/desequilibre
- Q. Prise de haut-parleur



English

- | | |
|------------------------------|-----------------|
| A. Intercom I master | G. Remote |
| B. Master slave installation | H. Ground |
| C. Intercom II slave | I. 24VDC |
| D. Dry contact | J. Neutral |
| E. Audio (-) | K. Hot |
| F. Audio (+) | L. Earth Ground |

M. In this installation, the Master is constantly broadcasting audio from the Slave. Pushing the listen/talk switch on either unit forces the Slave into the Listen Mode and the Master into the Talk Mode. The MAS/SLA jumper must be placed in the SLA mode for this operation.

Español

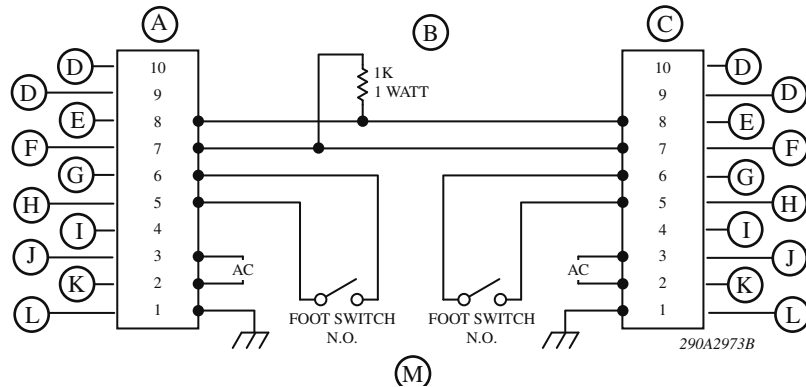
- | | |
|------------------------------------|-------------------|
| A. Intercom I maestro | G. Remoto |
| B. Instalación de maestro satélite | H. Tierra |
| C. Intercom II satélite | I. 24V CC |
| D. Contacto seco | J. Neutro |
| E. Audio (-) | K. Vivo |
| F. Audio (+) | L. Toma de tierra |

M. En esta instalación, el Maestro transmite audio constantemente desde el Satélite. Si se pulsa el interruptor de escuchar/hablar en cualquiera de las dos unidades, se pone el Satélite en el modo escuchar y el Maestro en el de hablar. Para este uso, el puente MAS/SLA se debe poner en el modo SLA.

Français

- | | |
|--------------------------------|------------------------|
| A. Interphone I maître | G. Contrôle à distance |
| B. Installation maître esclave | H. Mise à la terre |
| C. Interphone II esclave | I. 24V CC |
| D. Contact sec | J. Neutre |
| E. Audio (-) | K. Chaud |
| F. Audio (+) | L. Mise à la terre |

M. Dans cette installation, le maître diffuse de façon constante des sons (audio) à partir de l'esclave. Pousser l'interrupteur écoute/parole sur l'une ou l'autre des unités force l'esclave dans un mode d'écoute et le maître dans une mode de parole. Le cavalier MAS/SLA doit être placé sur le mode SLA pour cette opération.



English

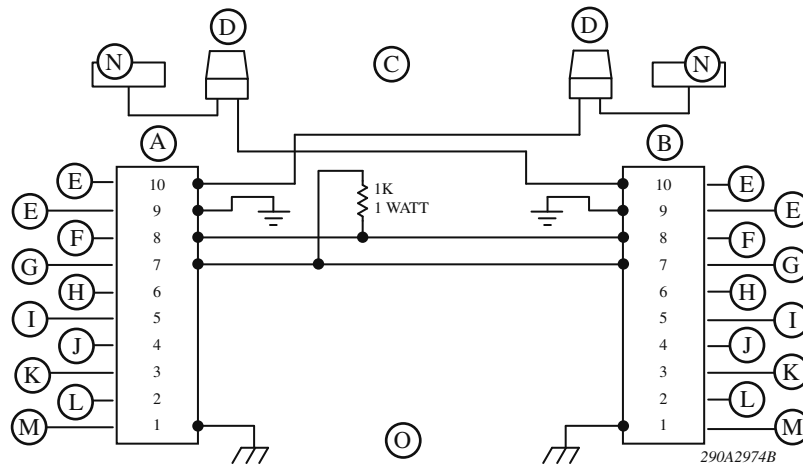
- A. Intercom I master
 B. Using foot switches
 C. Intercom II slave
 D. Dry contact
 E. Audio (-)
 F. Audio (+)
 M. Using normally open, simple contact closure foot switches (customer supplied) allows for total hands free operation of the listen/talk functions.
- G. Remote
 H. Ground
 I. 24VDC
 J. Neutral
 K. Hot
 L. Earth Ground

Español

- A. Intercom I maestro
 B. Usando interruptores de pie
 C. Intercom II satélite
 D. Contacto seco
 E. Audio (-)
 F. Audio (+)
 M. El uso de interruptores de pie normalmente abiertos, de contacto sencillo (suministrados por los clientes), es posible eliminar el uso de las manos para utilizar todas las funciones de escuchar/hablar.
- G. Remoto
 H. Tierra
 I. 24V CC
 J. Neutro
 K. Vivo
 L. Toma de tierra

Français

- A. Interphone I maître
 B. Utilisant les interrupteurs à commande au pied
 C. Interphone II esclave
 D. Contact sec
 E. Audio (-)
 F. Audio (+)
 M. Utilisant les interrupteurs à commande au pied de fermeture par simple contact, normalement ouvert (fourni par le client) permet un fonctionnement avec les mains libres de toutes les fonctions d'écoute/parole.
- G. Contrôle à distance
 H. Mise à la terre
 I. 24V CC
 J. Neutre
 K. Chaud
 L. Mise à la terre



English

- A. Intercom I master
- B. Intercom II slave
- C. Using call dry contacts
- D. Light/horn etc.
- E. Dry contact
- F. Audio (-)
- G. Audio (+)

- H. Remote
- I. Ground
- J. 24VDC
- K. Neutral
- L. Hot
- M. Earth Ground
- N. Power

O. The dry contacts can be used to switch devices such as an auxiliary sound or light when Call is depressed. The maximum ratings for the dry contacts are 0.4 amps at 125VAC and 1.25A at 24VDC. This method assures a call is received even when the volume on one of the intercoms is turned all the way down.

Español

- A. Intercom I maestro
- B. Intercom II satélite
- C. Usando contactos secos para llamada
- D. Luz/bocina, etc.
- E. Contacto seco
- F. Audio (-)
- G. Audio (+)

- H. Remoto
- I. Tierra
- J. 24V CC
- K. Neutro
- L. Vivo
- M. Toma de tierra
- N. Energía

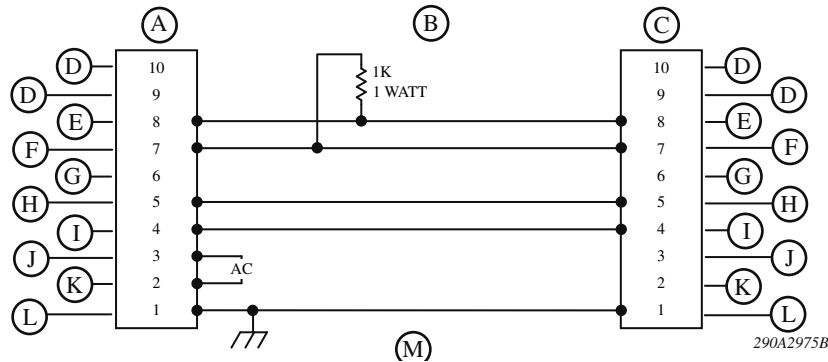
O. Los contactos secos se pueden usar para accionar dispositivos tales como sonidos o luces auxiliares al pulsarse la llamada. Las clasificaciones máximas de los contactos secos son 0,4A a 125VCA y 1,25 a 24VCC. Este método asegura que la llamada se reciba incluso si el volumen de uso de los intercomunicadores está totalmente cerrado.

Français

- A. Interphone I maître
- B. Interphone II esclave
- C. Utilisant des contacts à sec d'appel
- D. Lampe, klaxon, etc.
- E. Contact sec
- F. Audio (-)
- G. Audio (+)

- H. Contrôle à distance
- I. Mise à la terre
- J. 24V CC
- K. Neutre
- L. Chaud
- M. Mise à la terre
- N. Alimentation électrique

O. Les contacts à sec peuvent être utilisés pour mettre en route et arrêter des appareils tels que un appareil sonore ou lumineux auxiliaire lorsque l'appel est appuyé. Les valeurs nominales maximales pour ces contacts à sec sont: 0,4 ampères à 124V CA et 1,25 ampères à 24V CC. Cette méthode assure que l'appel est reçu même si le volume sur l'un des interphones est complètement baissé.

**English**

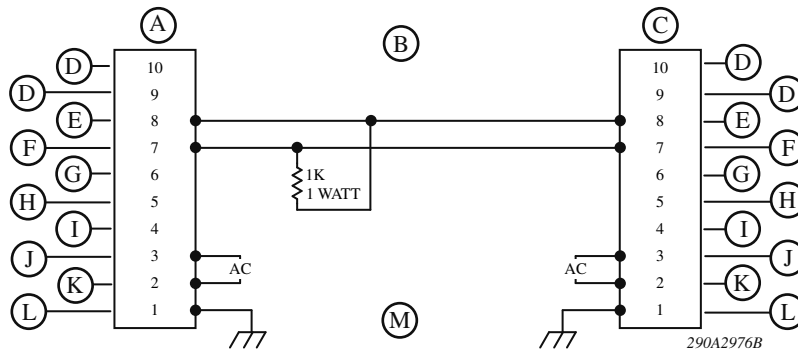
- | | |
|--|-----------------|
| A. Intercom I master | G. Remote |
| B. No remote power available | H. Ground |
| C. Intercom II slave | I. 24VDC |
| D. Dry contact | J. Neutral |
| E. Audio (-) | K. Hot |
| F. Audio (+) | L. Earth Ground |
| M. Intercom I supplies the DC power to the second intercom. Earth ground must be wired on the second unit. | |

Español

- | | |
|---|-------------------|
| A. Intercom I maestro | G. Remoto |
| B. Sin energía remota disponible | H. Tierra |
| C. Intercom II satélite | I. 24V CC |
| D. Contacto seco | J. Neutro |
| E. Audio (-) | K. Vivo |
| F. Audio (+) | L. Toma de tierra |
| M. El intercomunicador I acastece la energía de CC para el segundo intercomunicador. La toma de tierra debe conectarse a la segunda unidad. | |

Français

- | | |
|--|------------------------|
| A. Interphone I maître | G. Contrôle a distance |
| B. Pas alimentation électrique à distance disponible | H. Mise a la terre |
| C. Interphone II esclave | I. 24V CC |
| D. Contact sec | J. Neutre |
| E. Audio (-) | K. Chaud |
| F. Audio (+) | L. Mise a la terre |
| M. L'interphone I fournit l'alimentation électrique en courant continu sur le second interphone, la mise à la terre doit être câblée au second interphone. | |

**English**

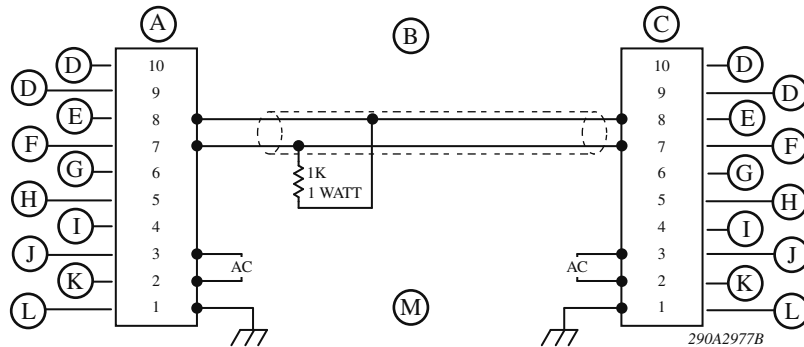
- A. Intercom I master
 B. Basic balanced line system
 C. Intercom II slave
 D. Dry contact
 E. Audio (-)
 F. Audio (+)
 G. Remote
 H. Ground
 I. 24VDC
 J. Neutral
 K. Hot
 L. Earth Ground
 M. This is a simple system with only two conductors connected between the units. AC power is utilized at both sites. The unit is factory configured for balanced line operation. (NOTE: both jumpers in BAL position.)

Español

- A. Intercom I maestro
 B. Sistema básico de línea equilibrada
 C. Intercom II satélite
 D. Contacto seco
 E. Audio (-)
 F. Audio (+)
 G. Remoto
 H. Tierra
 I. 24V CC
 J. Neutro
 K. Vivo
 L. Toma de tierra
 M. Este es un sistema sencillo de sólo dos conductores conectados entre las unidades. En ambos extremos se utiliza la energía de CA. La unidad se configura en la fábrica para funcionamiento en línea equilibrada. (NOTA: ambos puentes en la posición BAL.)

Français

- A. Interphone I maître
 B. Système de ligne équilibrée de base
 C. Interphone II esclave
 D. Contact sec
 E. Audio (-)
 F. Audio (+)
 G. Contrôle à distance
 H. Mise à la terre
 I. 24V CC
 J. Neutre
 K. Chaud
 L. Mise à la terre
 M. C'est un système simple qui a uniquement deux conducteurs connectés entre les unités. L'alimentation électrique en courant alternatif est utilisée sur les deux sites. L'unité est configurée en usine pour un fonctionnement en ligne équilibrée (NOTE: les deux cavaliers sont en position BAL.)



English

- A. Intercom I master
 B. Shielded balanced line system
 C. Intercom II slave
 D. Dry contact
 E. Audio (-)
 F. Audio (+)
 G. Remote
 H. Ground
 I. 24VDC
 J. Neutral
 K. Hot
 L. Earth Ground

M. This system offers maximum isolation from noise over long runs. The shield should only be grounded at one side. AC-power is utilized at both sites. The unit is factory configured for balanced line operation. (NOTE: both jumpers in BAL-position.)

Español

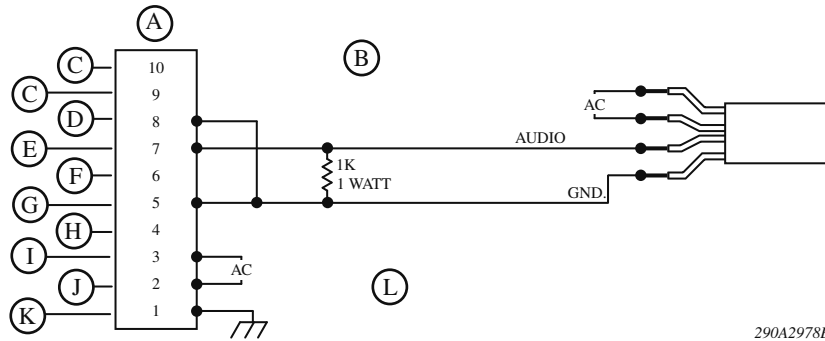
- A. Intercom I maestro
 B. Sistema blindado de línea equilibrada
 C. Intercom II satélite
 D. Contacto seco
 E. Audio (-)
 F. Audio (+)
 G. Remoto
 H. Tierra
 I. 24V CC
 J. Neutro
 K. Vivo
 L. Toma de tierra

M. El sistema ofrece máximo aislamiento del ruido a largo plazo. El blindaje sólo se debe poner a tierra en uno de los lados. En ambos extremos se utiliza energía de CA. La unidad se configura en la fábrica para funcionamiento en línea equilibrada. (NOTA: ambos puentes en la posición BAL.)

Français

- A. Interphone I maître
 B. Système de ligne équilibrée blindé
 C. Interphone II esclave
 D. Contact sec
 E. Audio (-)
 F. Audio (+)
 G. Contrôle à distance
 H. Mise à la terre
 I. 24V CC
 J. Neutre
 K. Chaud
 L. Mise à la terre

M. Ce système offre une isolation maximale contre le bruit sur de longs chemins. Le blindage devrait uniquement être mis à la terre d'un seul côté. L'alimentation électrique en courant alternatif est utilisée sur les deux sites. L'unité est configurée en usine pour un fonctionnement en ligne équilibrée. (NOTE: les deux cavaliers sont en position BAL.)



English

- | | |
|---------------------------------|-----------------|
| A. Intercom I master | G. Ground |
| B. Basic unbalanced line system | H. 24VDC |
| C. Dry contact | I. Neutral |
| D. Audio (-) | J. Hot |
| E. Audio (+) | K. Earth Ground |
| F. Remote | |

L. This configuration is used when hooking to other products on the market. This system does not offer the same level of noise isolation as a balanced line system and should only be used when hooking to existing devices. The neighboring jumpers on the circuit board must be changed from the BAL position to the UNB position for these installation (see figure 7.)

Español

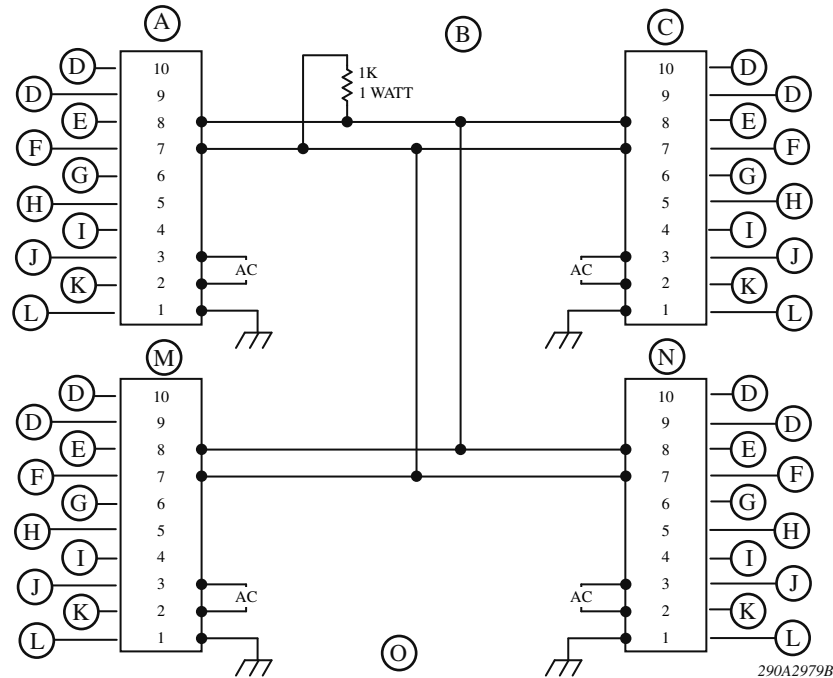
- | | |
|---|-------------------|
| A. Intercom I maestro | G. Tierra |
| B. Sistema básico de línea desequilibrada | H. 24V CC |
| C. Contacto seco | I. Neutro |
| D. Audio (-) | J. Vivo |
| E. Audio (+) | K. Toma de tierra |
| F. Remoto | |

L. Esta configuración se emplea la conectar otros productos existentes en el mercado. El sistema no ofrece el mismo nivel de aislamiento acústico como un sistema de línea equilibrada y debe ampliarse únicamente al conectar dispositivos existentes. Para tales instalaciones, los puentes contiguos de la placa de circuitos deben cambiarse de la posición BAL a la posición UNB (véase la figura 7.)

Français

- | | |
|---|--------------------|
| A. Interphone I maître | G. Mise a la terre |
| B. Système de ligne déséquilibrée de base | H. 24V CC |
| C. Contact sec | I. Neutre |
| D. Audio (-) | J. Chaud |
| E. Audio (+) | K. Mise a la terre |
| F. Contrôle a distance | |

L. Cette configuration est utilisé lors du branchement avec d'autres produits disponible sur le marché. Ce système n'offre pas le même niveau d'isolation au bruit que dans le système de ligne équilibrée et devrait uniquement être utilisé lors du branchement avec des appareils existants. Les cavaliers avoisinants sur la carte de circuit imprimé devront être changés de la position BAL à la position UNB pour ces installations (se reporter à la figure 7.)



English

- A. Intercom I master
 B. Multiple intercoms
 C. Intercom II slave
 D. Dry contact
 E. Audio (-)
 F. Audio (+)
 G. Remote

- H. Ground
 I. 24VDC
 J. Neutral
 K. Hot
 L. Earth Ground
 M. Intercom III master
 N. Intercom IV slave

O. Multiple intercoms can be tied to one line. Depressing talk on any unit will broadcast audio over all other units. (NOTE: only one line resistor needs to be installed on the line for any installation.)

Español

- A. Intercom I maestro
 B. Intercomunicadores múltiples
 C. Intercom II satélite
 D. Contacto seco
 E. Audio (-)
 F. Audio (+)
 G. Remoto

- H. Tierra
 I. 24V CC
 J. Neutro
 K. Vivo
 L. Toma de tierra
 M. Intercom III maestro
 N. Intercom IV satélite

M. Es posible conectar varios intercomunicadores en una misma línea. Pulsando el botón para hablar de cualquiera unidad, envía el audio a las otras unidades. (NOTA: para cualquier instalación hay que colocar un solo resistor en la línea.)

Français

- A. Interphone I maître
 B. Interphones multiples
 C. Interphone II esclave
 D. Contact sec
 E. Audio (-)
 F. Audio (+)
 G. Contrôle à distance

- H. Mise à la terre
 I. 24V CC
 J. Neutre
 K. Chaud
 L. Mise à la terre
 M. Interphone III maître
 N. Interphone IV esclave

M. Les interphones multiples sont liés sur une seule ligne. Tenir parole appuyer sur n'importe quelle unité diffusera un son vers toutes les autres unités. (NOTE: une seule résistance de ligne a besoin être installée sur la ligne pour toute installation.)



Industrial Systems
2645 Federal Signal Drive • University Park, IL 60484-3167
Tel: +1 708-534-4756 • +1 877 289 3246 • Fax: 708-534-4852
Email: elp@federalsignal.com • www.federalsignal-indust.com