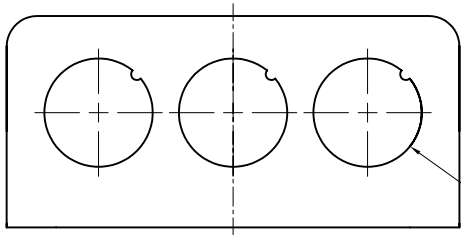
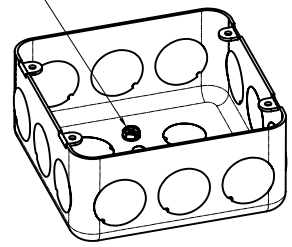


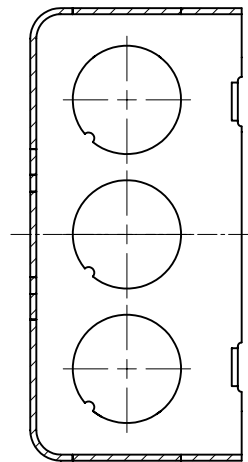
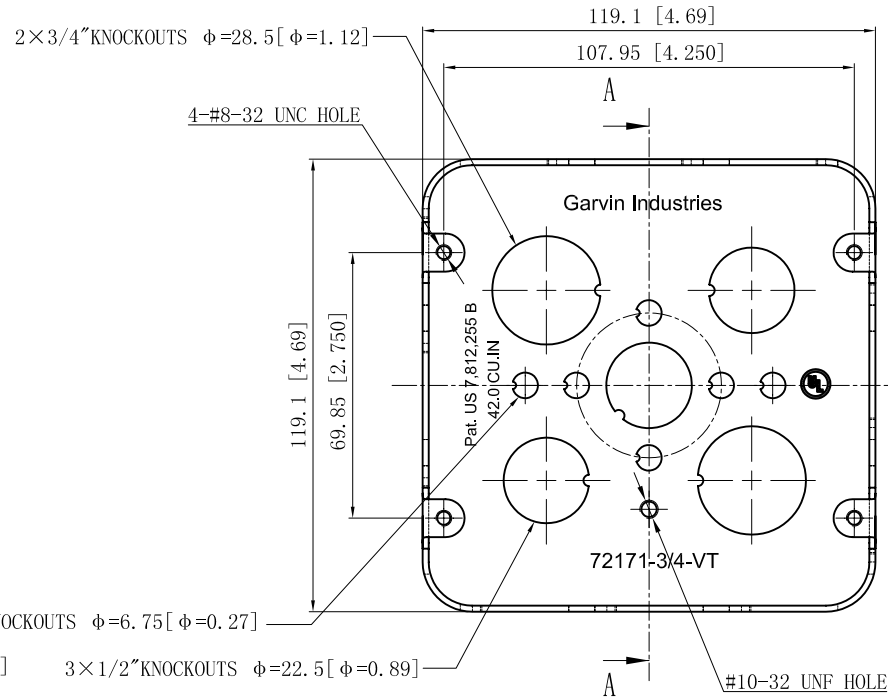
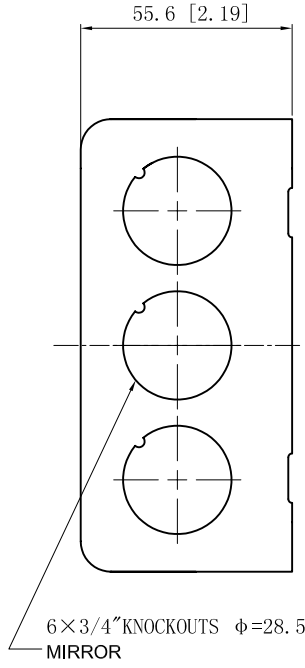
SIDES	BOTTOM
12 3/4" KNOCKOUTS	6 KNOCKOUTS
	3 1/2" KNOCKOUTS
	2 3/4" KNOCKOUTS
1 Pcs #10-32x3/8 screw install	
Material:Steel-0.0625"-G60 Galvanized	



6x3/4" KNOCKOUTS $\phi=28.5$ [$\phi=1.12$]
MIRROR



#10-32



CUTAWAY VIEW A-A

2x3/4" KNOCKOUTS $\phi=28.5$ [$\phi=1.12$]
6x KNOCKOUTS $\phi=6.75$ [$\phi=0.27$]
3x1/2" KNOCKOUTS $\phi=22.5$ [$\phi=0.89$]

DESCRIPTION	Patent #: Pat. US 7,812,255 B
TRADE REFERENCE TERMS	

STANDARD PACKING	25 PCS
------------------	--------

This data sheet is for reference only. GARVIN INDUSTRIES reserves the right to make changes to the design without prior notice.

GARVIN INDUSTRIES		
TITLE 4-11/16" SQUARE "DRAWN" BOXES (2-1/8" DEEP)		
SIZE A4	DWG NO. 72171-3/4VT	REV C
DATA SHEET		