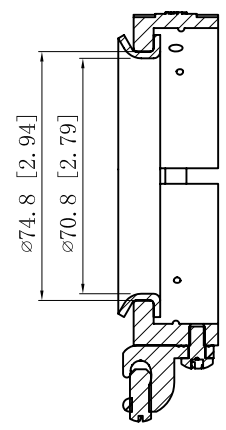
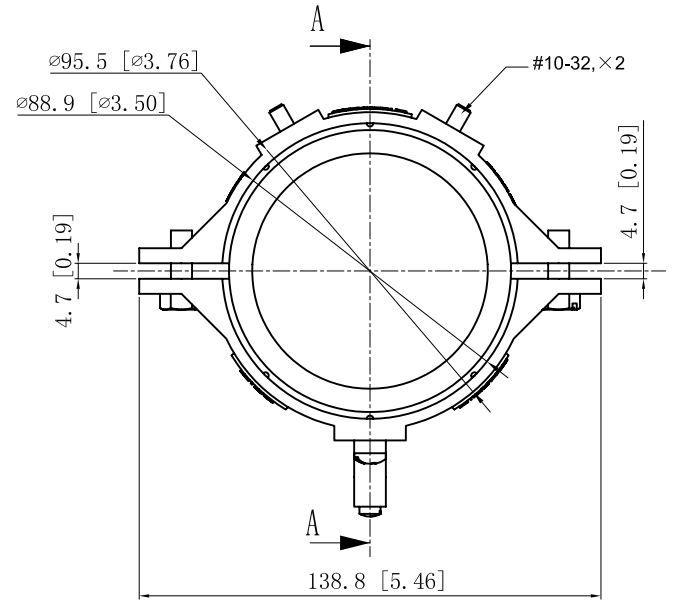
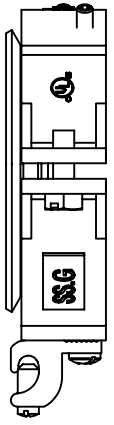
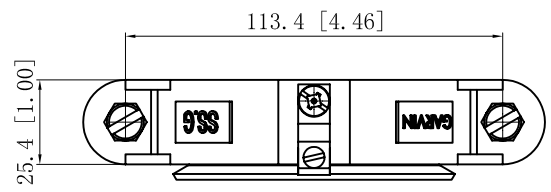
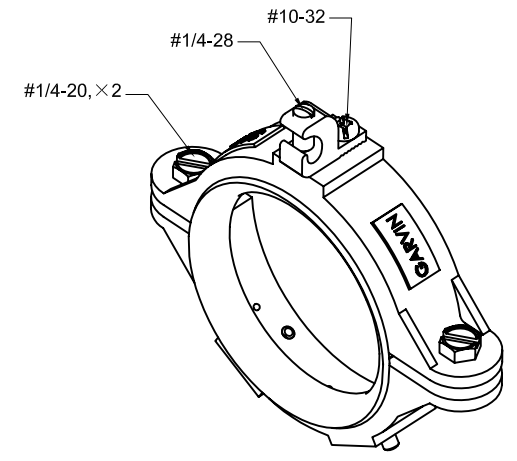


SIDES	BOTTOM
1 PCS 10-32×3/8 Screws Installed	
1 PCS 1/4-28×5/8 Screws Installed	
2 PCS 1/4-20×3/4 Screws Installed	
2 PCS #10-32×1/2 Set Screws Installed	
1 set split bushing pack in poly-bag	
Material:Zamak-ZAMAK 3	



CUTAWAY VIEW A-A



This data sheet is for reference only .GARVIN INDUSTRIES reserves the right to make changes to the design without prior notice.

DESCRIPTION
Patent Pending
TRADE REFERENCE TERMS

STANDARD PACKING
10 PCS

TITLE			GROUND CHOKE		
SIZE	DWG NO.				REV
A4	GCHK-300	DATA SHEET			D