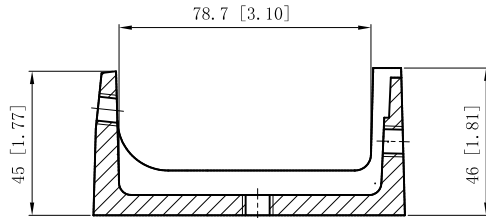
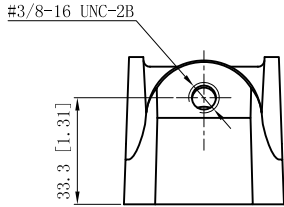
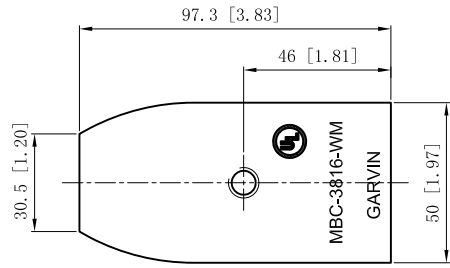
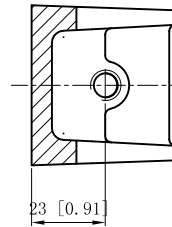
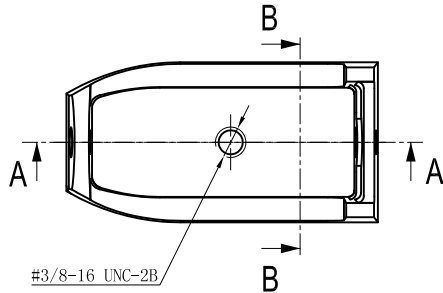
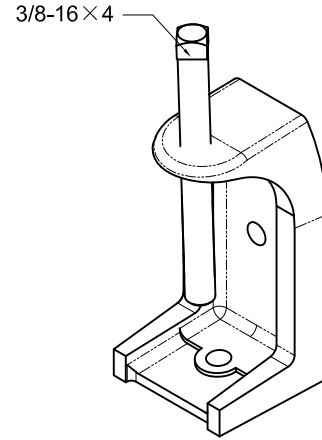


SIDES	BOTTOM
1 PCS 3/8-16×4 Screws Installed	
Material:Steel-Malleable Casting Galvanized	



CUTAWAY VIEW A-A



CUTAWAY VIEW B-B

This data sheet is for reference only .GARVIN INDUSTRIES reserves the right to make changes to the design without prior notice.

DESCRIPTION
TRADE REFERENCE TERMS

STANDARD PACKING
25 PSC

<b>GARVIN INDUSTRIES</b>		
TITLE MALLEABLE IRON BEAM CLAMPS		
SIZE A4	DWG NO. MBC-3816WM	REV D
DATA SHEET		
www.garvinindustries.com		