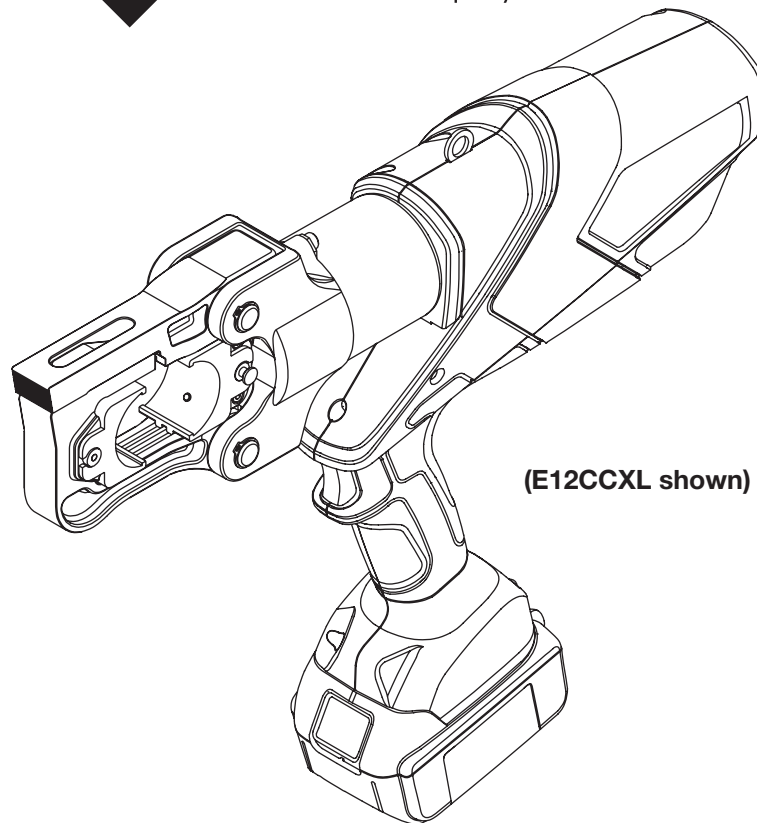


SERVICE MANUAL



GREENLEE®

A Textron Company



(E12CCXL shown)

GATOR®

Battery-powered Pistol Grip T/X Tools



Read and understand all of the instructions and safety information in this manual before operating or servicing this tool.

Register this product at www.greenlee.com

Table of Contents

Safety	2
Purpose of this Manual	2
Other Publications	2
Main Illustration—All Tools	4
Main Parts List—All Tools.....	5
Motor Illustration and Parts List—All Tools	6
Release Lever Illustration and Parts List—All Tools	6
Pump Illustration and Parts List	
E6CCXL, EK6ATL, EK6FTL, EK622PL, ESC85L, ESG50L.....	7
E12CCXL, EK12IDL, EK1230L, EK1240L, EK1240CL, EK1240KL, EK1550L, EK1550FL, ESC105L, ESG55L, ESG105L	8
Relief Valve Illustration and Parts List—All Tools	9
Piston Pump Illustration and Parts List—All Tools	9
Head and Ram Illustration and Parts List	
E6CCXL	10
E12CCXL	11
EK6ATL	12
EK6FTL	13
EK12IDL.....	14
Indenter and Head Replacement	15
EK425PL	16
EK622PL	17
EK1230L	18
EK1240L, EK1240CL	19
EK1240KL.....	20
EK1550L	21
EK1550FL	22
ESC85L.....	23
ESC105L.....	24
ESG50L.....	25
ESG55L.....	26
ESG105L.....	27
Accessories—E6CCXL and E12CCXL	28

Safety

Safety is essential in the use and maintenance of Greenlee tools and equipment. This manual and any markings on the tool provide information for avoiding hazards and unsafe practices related to the use of this tool. Observe all of the safety information provided.

Purpose of this Manual

This manual is intended to familiarize authorized Greenlee service personnel with the service parts for the Greenlee Battery-powered Pistol Grip T/X Tools listed on this page.

Keep this manual available to all personnel.

Replacement manuals are available upon request at no charge at www.greenlee.com.

Other Publications

Operation Manuals

- E6CCXLT/X 52080026
- E12CCXLT/X 52080025
- EK6ATLT/X 52080022
- EK6FTLT/X 52080023
- EK12IDLT/X 52080024
- EK425PLT/X 52081374
- EK622PLT/X 52080014
- EK1230LT/X 52080017
- EK1240LT/X 52080016
- EK1240CLT/X 52080016
- EK1240KLT/X 52080018
- EK1550LT/X 52080020
- EK1550FLT/X 52080019
- ESC85LT/X 52080033
- ESC105LT/X 52080033
- ESG50LT/X 52080033
- ESG55LT/X 52080033
- ESG105LT/X 52080033



Do not discard this product or throw away!

For recycling information, go to www.greenlee.com.

All specifications are nominal and may change as design improvements occur. Greenlee Textron Inc. shall not be liable for damages resulting from misapplication or misuse of its products. GATOR is a registered trademark of Textron Innovations Inc.

KEEP THIS MANUAL

IMPORTANT SAFETY INFORMATION



SAFETY ALERT SYMBOL

This symbol is used to call your attention to hazards or unsafe practices which could result in an injury or property damage. The signal word, defined below, indicates the severity of the hazard. The message after the signal word provides information for preventing or avoiding the hazard.

⚠️ DANGER

Immediate hazards which, if not avoided, **WILL** result in severe injury or death.

⚠️ WARNING

Hazards which, if not avoided, **COULD** result in severe injury or death.

⚠️ CAUTION

Hazards or unsafe practices which, if not avoided, **MAY** result in injury or property damage.



⚠️ WARNING

Skin injection hazard:

Do not use hands to check for oil leaks. Oil under pressure easily punctures skin. If injured, seek medical attention immediately to remove oil.

Failure to observe this warning could result in serious injury, gangrene, or death.



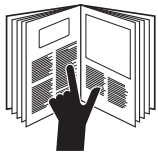
⚠️ WARNING

Do not use solvents or flammable liquids to clean the tool body. Solvents or flammable liquids could ignite and cause serious injury or property damage.

⚠️ WARNING

Do not dispose of batteries in a fire. They will vent fumes and may explode.

Failure to observe this warning could result in severe injury from harmful fumes or burns from flying debris.



⚠️ WARNING

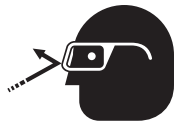
Read and understand all of the instructions and safety information in this manual before operating or servicing this tool. Refer also to the Operation Manual, which is listed under "Other Publications."

Failure to observe this warning could result in severe injury or death.

⚠️ CAUTION

Do not perform any service or maintenance other than as described in this manual. Injury or damage to the tool may result.

Failure to observe this precaution may result in injury and property damage.



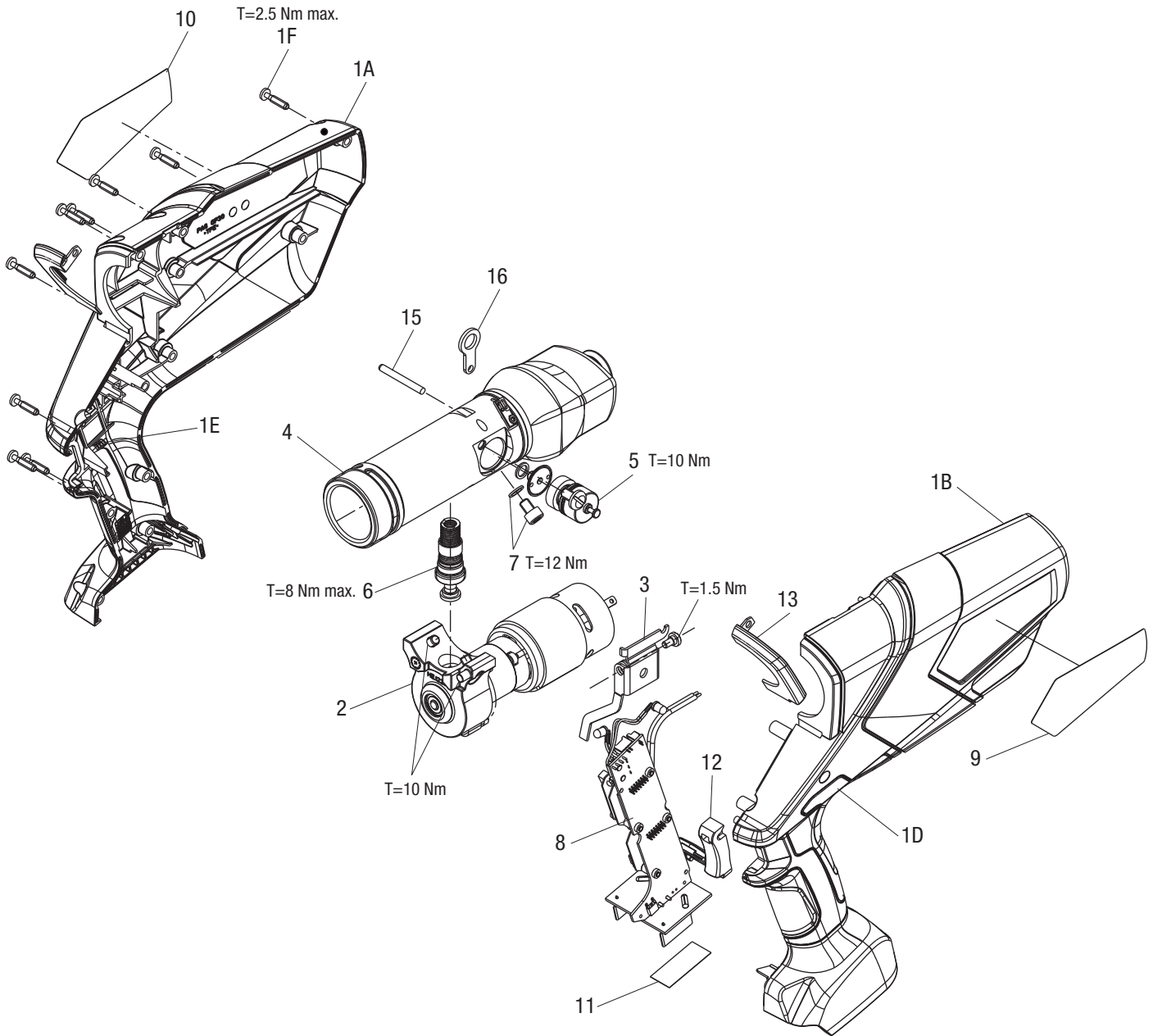
⚠️ WARNING

Wear eye protection when operating or servicing this tool.

Failure to wear eye protection could result in serious eye injury from flying debris or hydraulic oil.

Note: Keep all decals clean and legible, and replace when necessary.

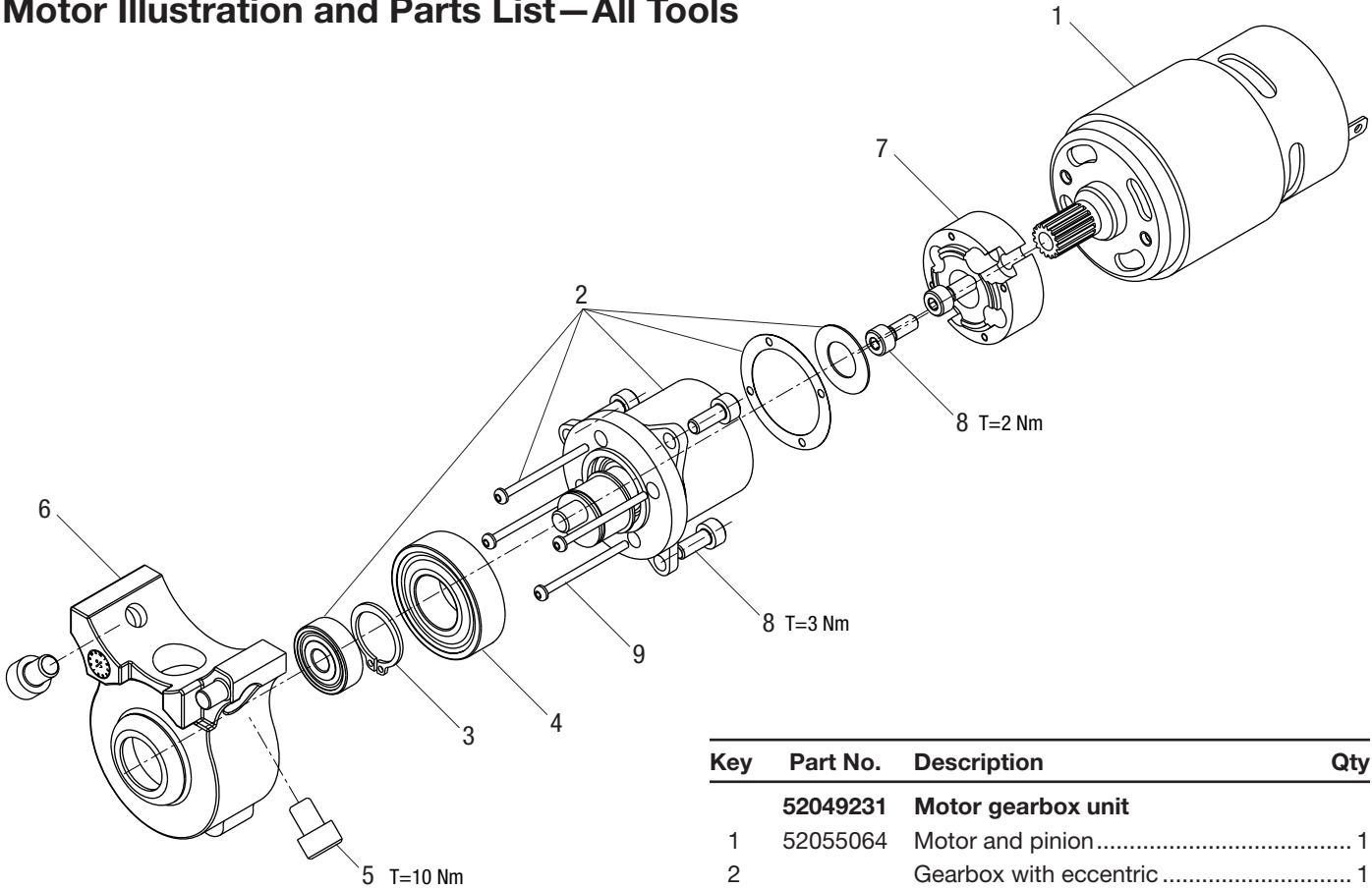
Main Illustration—All Tools



Main Parts List—All Tools

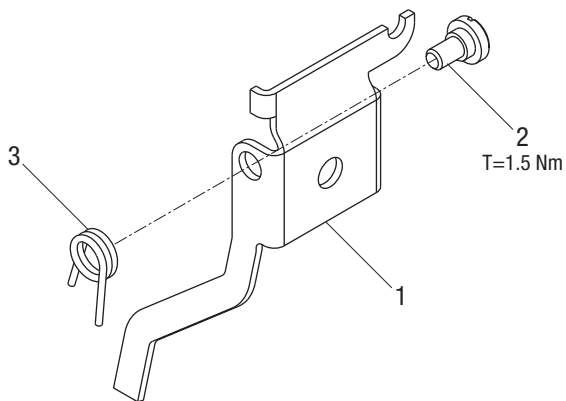
Key	Part No.	Description	Qty	Key	Part No.	Description	Qty
1	52080593	Housing unit, 6-ton.....	1	52079258	Identification decal (EK1240LT).....	1	
	52080360	Housing unit, 12-ton.....	1	52079259	Identification decal (EK1240LX).....	1	
1A		Left housing.....	1	52079262	Identification decal (EK1240CLT).....	1	
1B		Right housing.....	1	52079263	Identification decal (EK1240CLX).....	1	
1D		Retract button.....	1	52079264	Identification decal (EK1240KLT).....	1	
1E		Spring.....	2	52079265	Identification decal (EK1240KLX).....	1	
1F		Screw.....	12	52079268	Identification decal (EK1550LT).....	1	
2	52049231	Motor gearbox unit.....	1	52079269	Identification decal (EK1550LX).....	1	
3	52049233	Release lever unit.....	1	52079266	Identification decal (EK1550FLT).....	1	
4	52080590	Pump housing unit (E6CCXL, EK622FL)...	1	52079267	Identification decal (EK1550FLX).....	1	
	52080848	Pump housing unit (EK6ATL, EK6FTL).....	1	52079294	Identification decal (ESG50LT).....	1	
	52080356	Pump housing unit (E12CCXL, EK12IDL, EK1230L, EK1240L, EK1240CL, EK1240KL).....	1	52079295	Identification decal (ESG50LX).....	1	
	52080595	Pump housing unit (EK1550L, EK1550FL).....	1	52079304	Identification decal (ESG55LT).....	1	
	52080849	Pump housing unit (ESC85L, ESG50L).....	1	52079305	Identification decal (ESG55LX).....	1	
	52080609	Pump housing unit (ESC105L, ESG55L)...	1	52079300	Identification decal (ESC85LT).....	1	
	52080911	Pump housing unit (ESG105L)		52079301	Identification decal (ESC85LX).....	1	
5	52049232	Relief valve unit (all except ESC85L, ESC105L, ESG50L, ESG55L, ESG105L)...	1	52079298	Identification decal (ESC105LT).....	1	
	52080622	Relief valve unit (ESC85L, ESC105L, ESG50L, ESG55L, ESG105L).....	1	52079299	Identification decal (ESC105LX).....	1	
6	52024191	Piston pump unit.....	1	11	52080504	Decal, FCC, T version	
7	52049205	Sensor (EK6ATL, EK6FTL, EK622PL, EK12IDL, EK1230L, EK1240L, EK1240CL, EK1240KL, EK1550L, EK1550FL).....	1		52080505	Decal, FCC, X version	
	50121839	Screw (E6CCXL, ESG50L, ESG55L, E12CCXL, ESC85L, ESC105L).....	1	12	52055897	Trigger	
		Seal (included in 52054906 seal kit).....	1	13	52080357	Ring	
8	52080359	Circuit board (T version).....	1	15	52080300	Pin	
	52080601	Circuit board (X version).....	1	16	52080351	Ring, hang	
9	52079314	Decal, 6-ton, brand.....	1		52080041	Carrying case (EK1550FL)	
	52079313	Decal, 12-ton, brand.....	1		52082146	Carrying case (E6CCXL, E12CCXL)	
10	52079280	Identification decal (E6CCXLT).....	1		52080045	Carrying case (ESC105L, ESG105L)	
	52079281	Identification decal (E6CCXLX).....	1		52082145	Carrying case (all others)	
	52079272	Identification decal (EK6ATLT).....	1		50014269	Connector compatibility decal (E6CCXL)	
	52079273	Identification decal (EK6ATLX).....	1		50018817	Connector compatibility decal (EK6ATL)	
	52079274	Identification decal (EK6FTLT).....	1		50018825	Connector compatibility decal (EK6FTL)	
	52079275	Identification decal (EK6FTLX).....	1		50042700	Connector compatibility decal (EK622PL)	
	52079256	Identification decal (EK622PLT).....	1		50112171	Connector compatibility decal (EK1230L, EK1240L, EK1240CL, EK1550L, EK1550FL)	
	52079257	Identification decal (EK622PLX).....	1		52061815	Connector chart decal (E12CCXL-UA12ID)	
	52079278	Identification decal (E12CCXLT).....	1		52047653	Connector chart decal (EK12IDL)	
	52079279	Identification decal (E12CCXLX).....	1		52054906	Seal kit	
	52079276	Identification decal (EK12IDL).....	1		52047087	120 VAC corded adapter	
	52079277	Identification decal (EK12IDLX).....	1		52047088	230 VAC corded adapter	
	52079260	Identification decal (EK1230LT).....	1		52070023	18 V, 4 Ah lithium-ion battery	
	52079261	Identification decal (EK1230LX).....	1		52049201	120 VAC, 18 V charger	
					52049202	230 VAC, 18 V charger	
					52049204	12 VDC, 18 V charger	
					52054992	Li (18 V) to NiCd, NiMH (12 V) charger adapter	
					50122746	Carrying strap	
					52057878	Biodegradable hydraulic fluid (1 qt)	

Motor Illustration and Parts List—All Tools



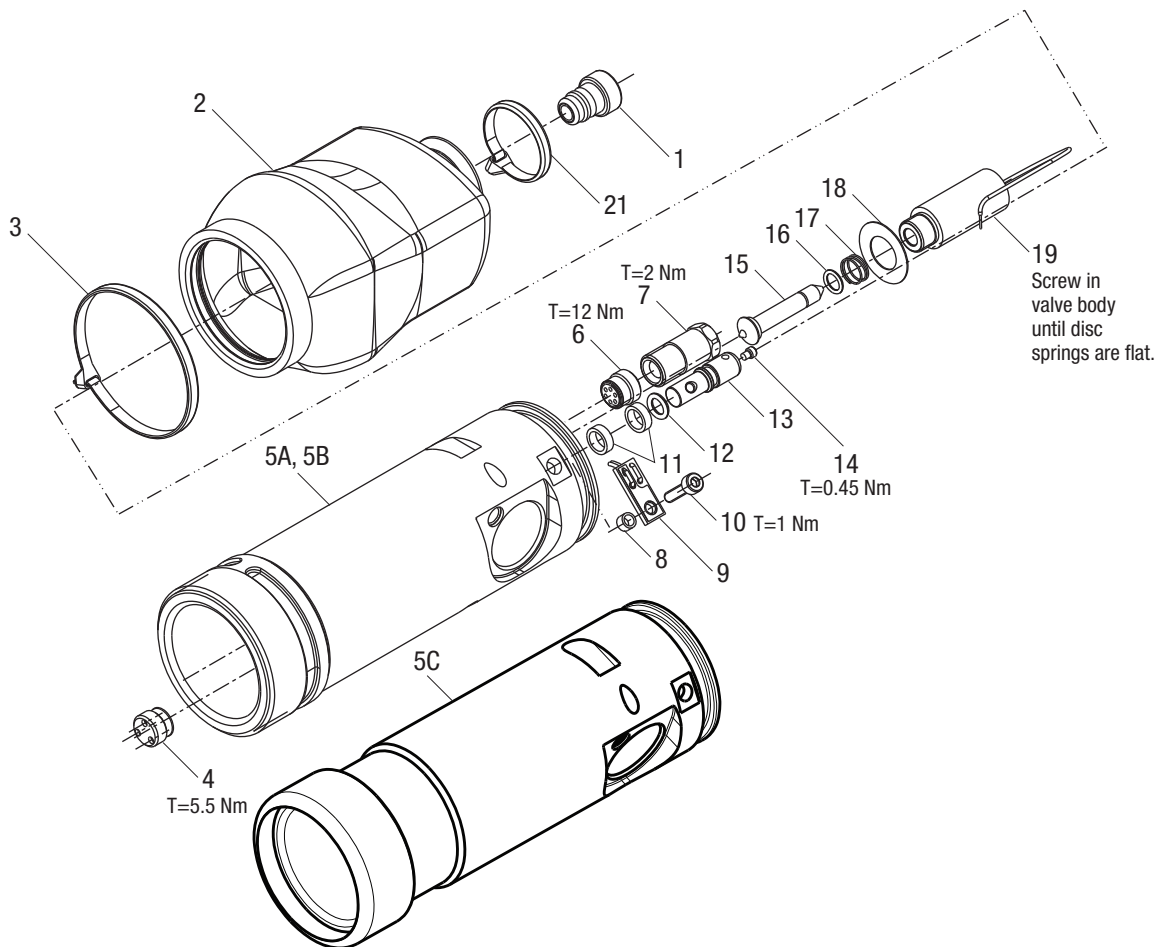
Key	Part No.	Description	Qty
	52049231	Motor gearbox unit	
1	52055064	Motor and pinion.....	1
2		Gearbox with eccentric.....	1
3		Retaining ring.....	1
4		Grooved ball bearing.....	1
5		Screw.....	2
6		Eccentric case.....	1
7		Flange.....	1
8		Screw.....	5
9	52028323	Gear box screw.....	4

Release Lever Illustration and Parts List—All Tools



Key	Part No.	Description	Qty
	52049233	Release lever unit	
1		Release lever.....	1
2		Socket head screw.....	1
3		Compression spring.....	1

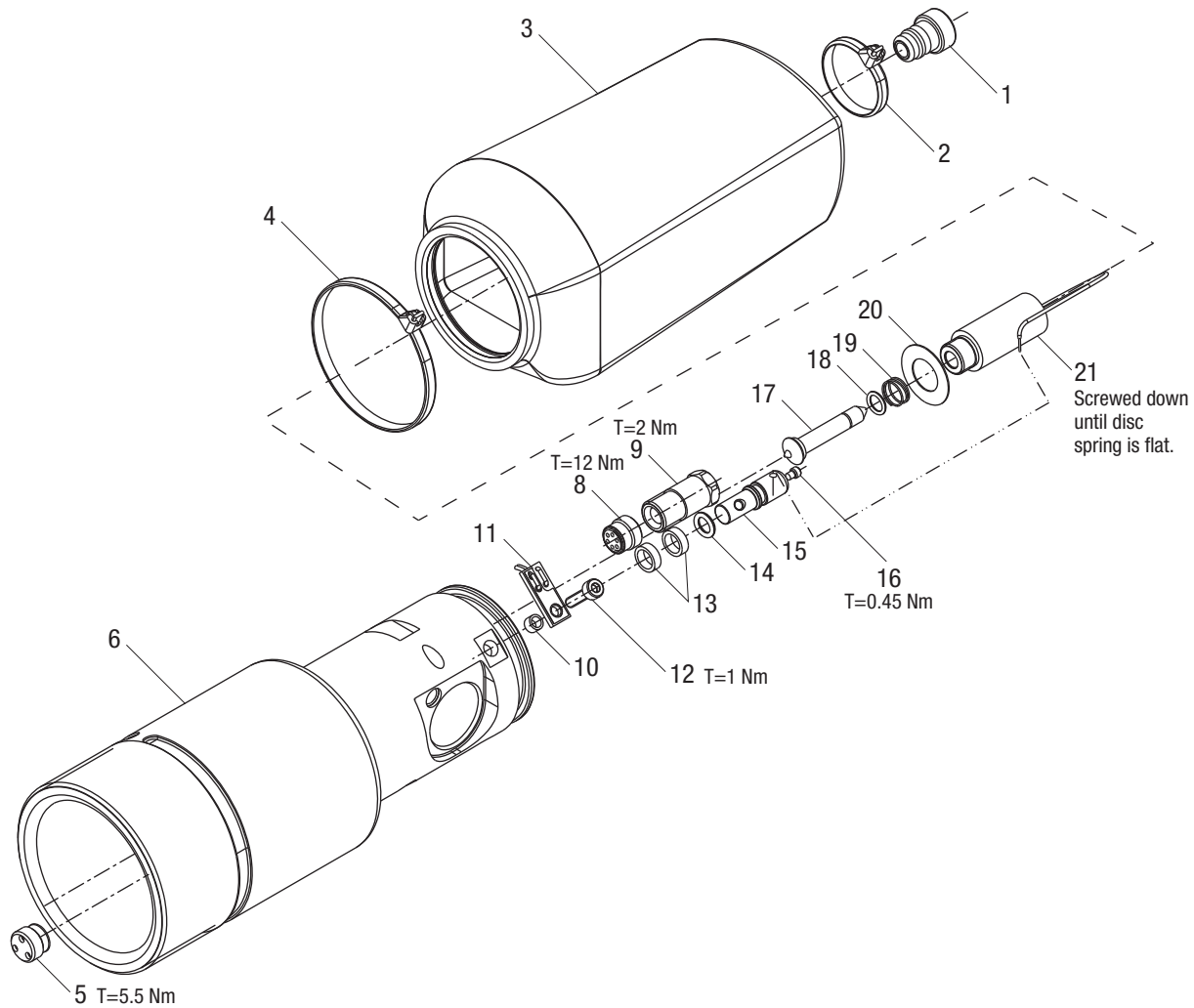
Pump Illustration and Parts List—E6CCXL, EK6ATL, EK6FTL, EK622PL, ESC85L, ESG50L



Key	Part No.	Description	Qty
	52080849	Pump housing unit (A) (ESC85L, ESG50L)	
	52080590	Pump housing unit (B) (E6CCXL, EK622PL)	
	52080848	Pump housing unit (C) (EK6ATL, EK6FTL)	
1		Reservoir plug	1
2	52080625	Reservoir	1
3		Cable tie (included in 52054906).....	1
4	50109308	Threaded bushing	1
5A		Pump housing	1
5B		Pump housing	1
6	50109162	Threaded bushing	1
7		Filter	1
8		Bearing	1
9		Switch lever	1
10		Screw	1

Key	Part No.	Description	Qty
11		Bearing	2
12		O-ring (included in 52054906).....	1
13		Pin	1
14		Screw	1
15		Needle valve.....	1
16		O-ring	1
17		Compression spring	1
18		Disc spring	1
19		Solenoid	1
21		Cable tie (included in 52054906).....	1
	52080610	Solenoid kit, cutters [includes 15–17, 18 (2), 19]	
	52054907	Solenoid kit, crimpers (includes 15–19)	
	52055065	Switch lever kit (includes 8–10)	
	52055068	Wrench, bushing	

Pump Illustration and Parts List—E12CCXL, EK12IDL, EK1230L, EK1240L, EK1240CL, EK1240KL, EK1550L, EK1550FL, ESC105L, ESG55L, ESG105L

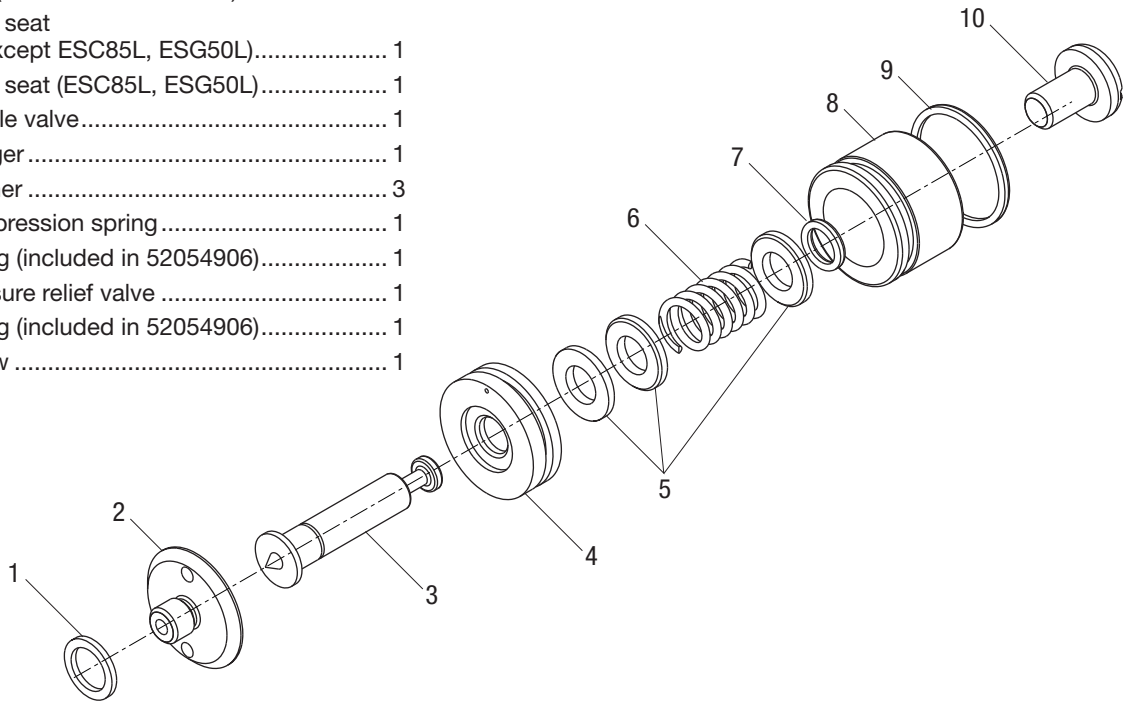


Key	Part No.	Description	Qty
	52080356	Pump housing unit (E12CCXL, EK12IDL, EK1230L, EK1240L, EK1240CL, EK1240KL)	
	52080595	Pump housing unit (EK1550L, EK1550FL)	
	52080609	Pump housing unit (ESC105L, ESG55L)	
	52080911	Pump housing unit (ESG105L)	
1		Reservoir plug	1
2		Cable tie (included in 52054906).....	1
3	52080624	Reservoir	1
4		Cable tie (included in 52054906).....	1
5	50109308	Threaded bushing	1
6		Pump housing	1
8	50109162	Threaded bushing	1
9		Filter	1
10		Bearing.....	1

Key	Part No.	Description	Qty
11		Switch lever.....	1
12		Screw	1
13		Bearing.....	2
14		O-ring (included in 52054906).....	1
15		Pin	1
16		Screw	1
17		Needle valve.....	1
18		O-ring	1
19		Compression spring.....	1
20		Disc spring	1
21		Solenoid	1
	52080610	Solenoid kit, cutters [includes 17–19, 20 (2), 21]	
	52054907	Solenoid kit, crimpers (includes 17–21)	
	52055065	Switch lever kit (includes 10–12)	
	52055068	Wrench, bushing	

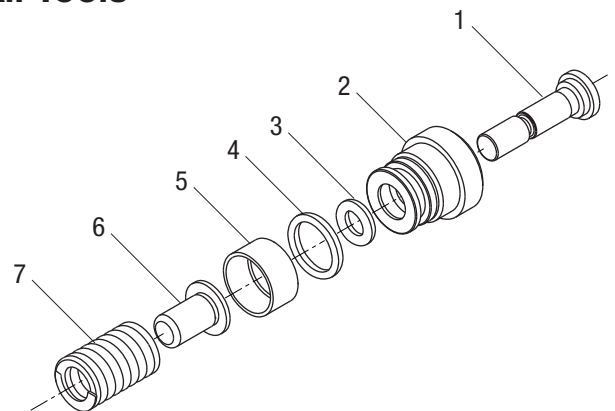
Relief Valve Illustration and Parts List—All Tools

Key	Part No.	Description	Qty
	52049232	Relief valve unit (all except ESC85L, ESG50L)	
	52068741	Relief valve unit (ESC85L, ESG50L)	
1		Seal (included in 52054906).....	1
2	50053630	Valve seat (all except ESC85L, ESG50L).....	1
	52068743	Valve seat (ESC85L, ESG50L).....	1
3		Needle valve.....	1
4		Plunger	1
5		Washer	3
6		Compression spring.....	1
7		O-ring (included in 52054906).....	1
8		Pressure relief valve	1
9		O-ring (included in 52054906).....	1
10		Screw	1

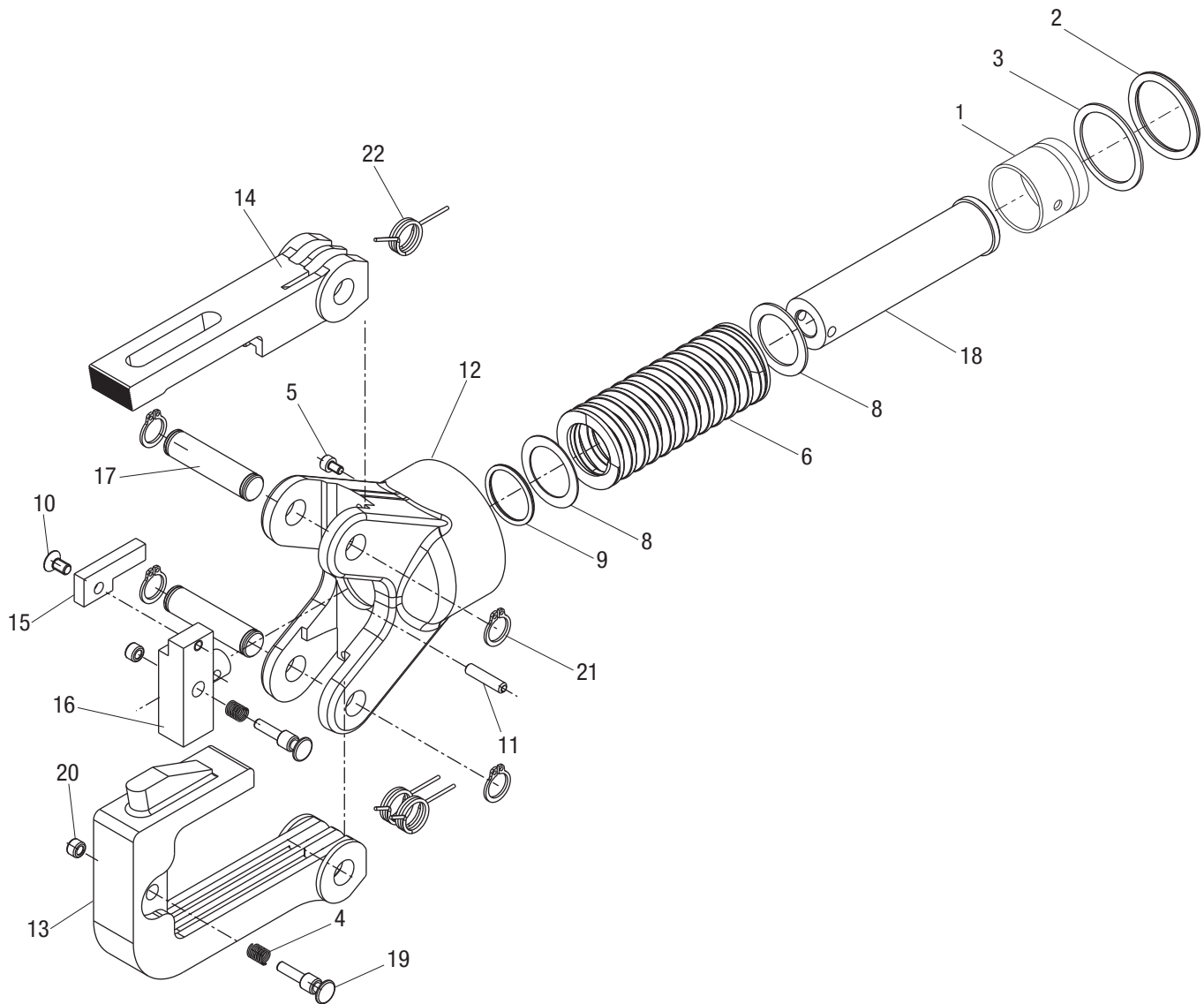


Piston Pump Illustration and Parts List—All Tools

Key	Part No.	Description	Qty
	52024191	Piston pump unit	
1		Pump piston.....	1
2		Screw plug	1
3		Piston seal (included in 52054906)	1
4		Washer (included in 52054906).....	1
5		Pump piston.....	1
6		Valve stem.....	1
7		Spring.....	1




Head and Ram Illustration and Parts List—E6CCXL

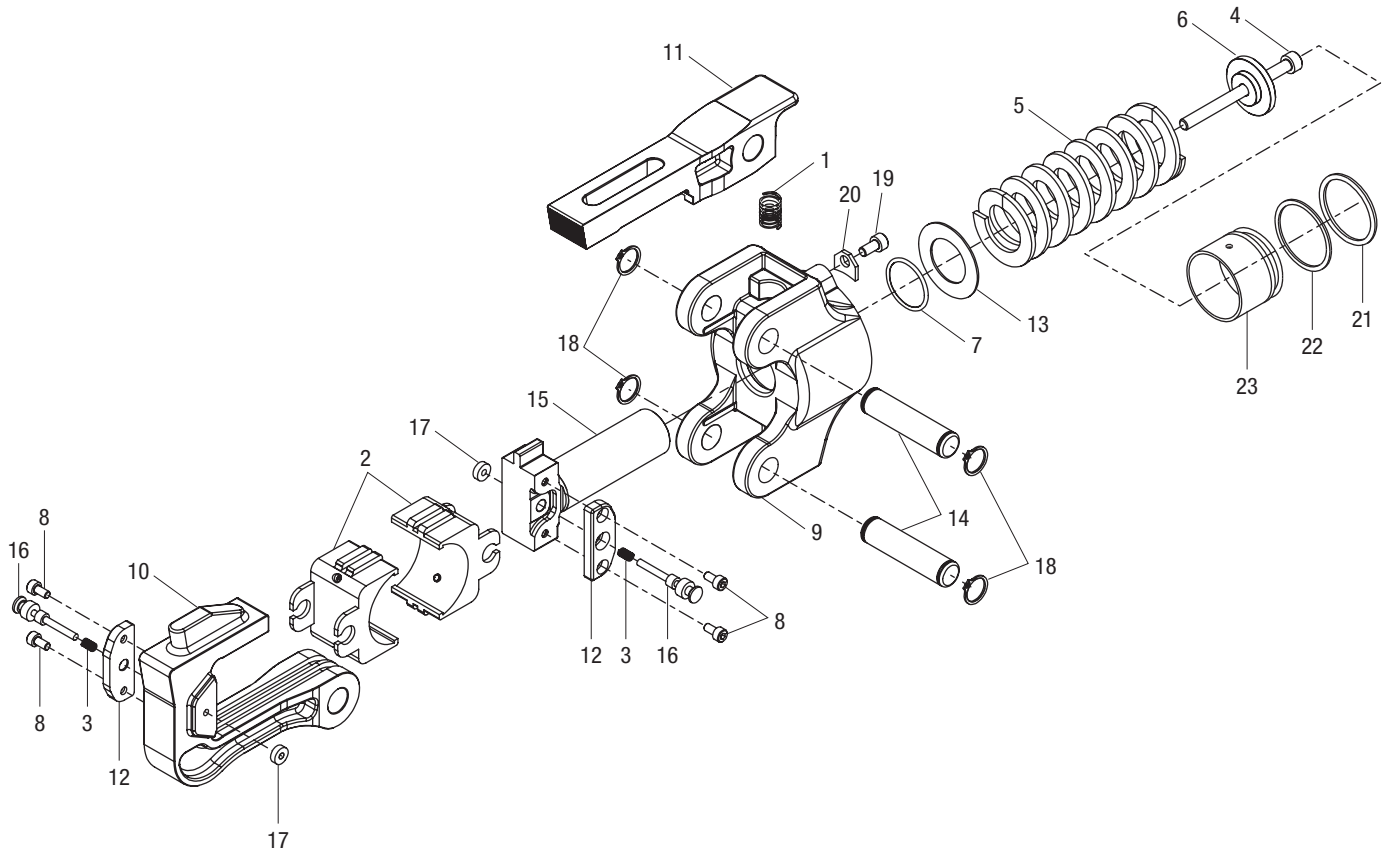


Key	Part No.	Description	Qty
	52080621	Head and ram unit (includes 4–22)	
1	52020648	Piston cup	1
2		O-ring (included in 52054906).....	1
3		Piston backup ring (included in 52054906).....	1
4		Compression spring.....	2
5	52057106	Screw	2
6	50058258	Compression spring.....	1
8	52080214	Adapter disk.....	2
9		O-ring (included in 52054906).....	1
10	50067257	Screw, M4 x 8.....	1
11	50071220	Pin, 3 x 18	1
12	50067150	Fixed head.....	1

Key	Part No.	Description	Qty
13		Movable head.....	1
14		Latch	1
15	50067214	Guide plate.....	1
16	50067192	Adapter ram	1
17	50067184	Pin, 10 x 40.5 mm	2
18	52080626	Piston	1
19		Adapter lock pin.....	2
20		Bushing	2
21	50034308	Retaining ring	4
22	50043838	Spring.....	3
	50017500	Head set (includes 13, 14)	
	50103750	Adapter lock kit (includes 4, 19, 20)	

Head and Ram Illustration and Parts List—E12CCXL

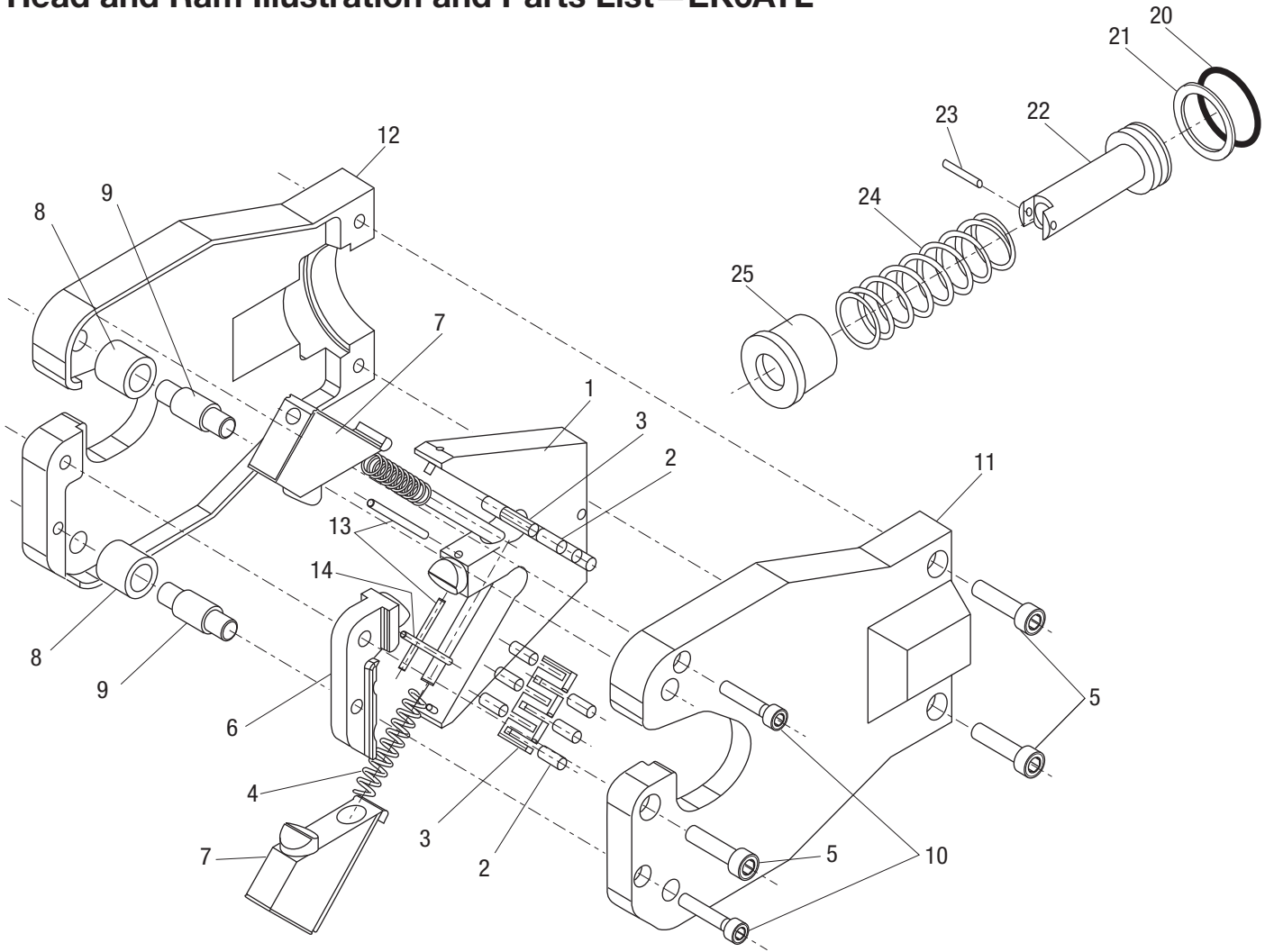
For units manufactured after June 2012—items 9, 10, 11, and 15 will show  (date stamp)



Key	Part No.	Description	Qty
	52045319	Head and ram unit (includes 1–3, 8–12, 14–18)	
1		Compression spring.....	1
2		Adapter, U-type die.....	2
3		Compression spring.....	2
4		Screw, M6-1.0 x 75 mm skt head cap.....	1
5	50066919	Compression spring.....	1
6	50066900	End cap.....	1
7		O-ring (included in 52054906).....	1
8		Screw, M4-0.7 x 8 mm skt head cap.....	4
9		Fixed head.....	1
10		Movable head.....	1
11		Latch.....	1
12	52062835	Plate.....	2
13		Adapter disk.....	1

Key	Part No.	Description	Qty
14		Pin, pivot.....	2
15	52062834	Ram.....	1
16		Pin, adapter lock.....	2
17		Bushing.....	2
18		Retaining ring.....	4
19		Screw, M5-0.8 x 10 mm skt head cap.....	1
20	50066943	Stop.....	1
21		O-ring (included in 52054906).....	1
22		Backup ring (included in 52054906).....	1
23	50067796	Piston.....	1
	50118374	Adapter lock kit (includes 3, 16, 17)	
	52020102	UA12T, U-type die adapter set (includes two of item 2)	
	52063244	Pin kit (includes 14 and two of item 18)	

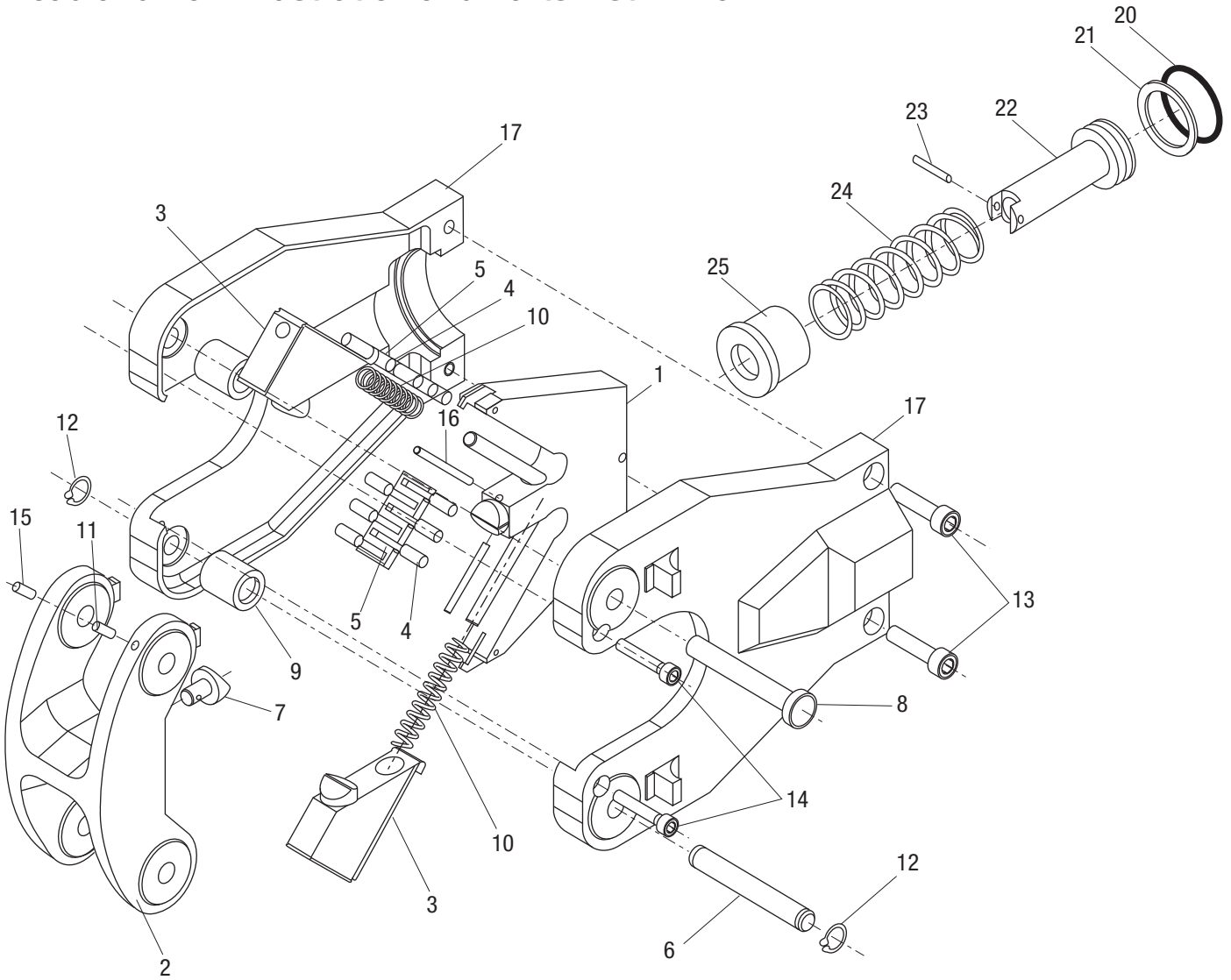
Head and Ram Illustration and Parts List—EK6ATL



Key	Part No.	Description	Qty
	50017284	Quad point head assembly (includes 1–14)	
1	50017292	Cam yoke assembly.....	1
2		Roller bearings	12
3		Bearing retainers	2
4	50060910	Compression spring.....	3
5	50061003	Screw	2
6	50060848	Fixed jaw	1
7	50060856	Moving jaw	2
8	50060864	Pivot roller	2
9	50060872	Pivot pin	2
10	50061011	Screw	2

Key	Part No.	Description	Qty
	50060953	Head kit (includes 11, 12)	
11		Head cover (LH)	1
12		Head cover (RH).....	1
13	50017276	Spring pin.....	2
14	50017349	Spring pin.....	1
20		O-ring (included in 52054906).....	1
21		Backup ring (included in 52054906).....	1
22	50063812	Piston	1
23	50063405	Pin	1
24	50058398	Compression spring.....	1
25	50063820	Sleeve.....	1
	50061291	Bearing retainer kit (includes 2, 3)	

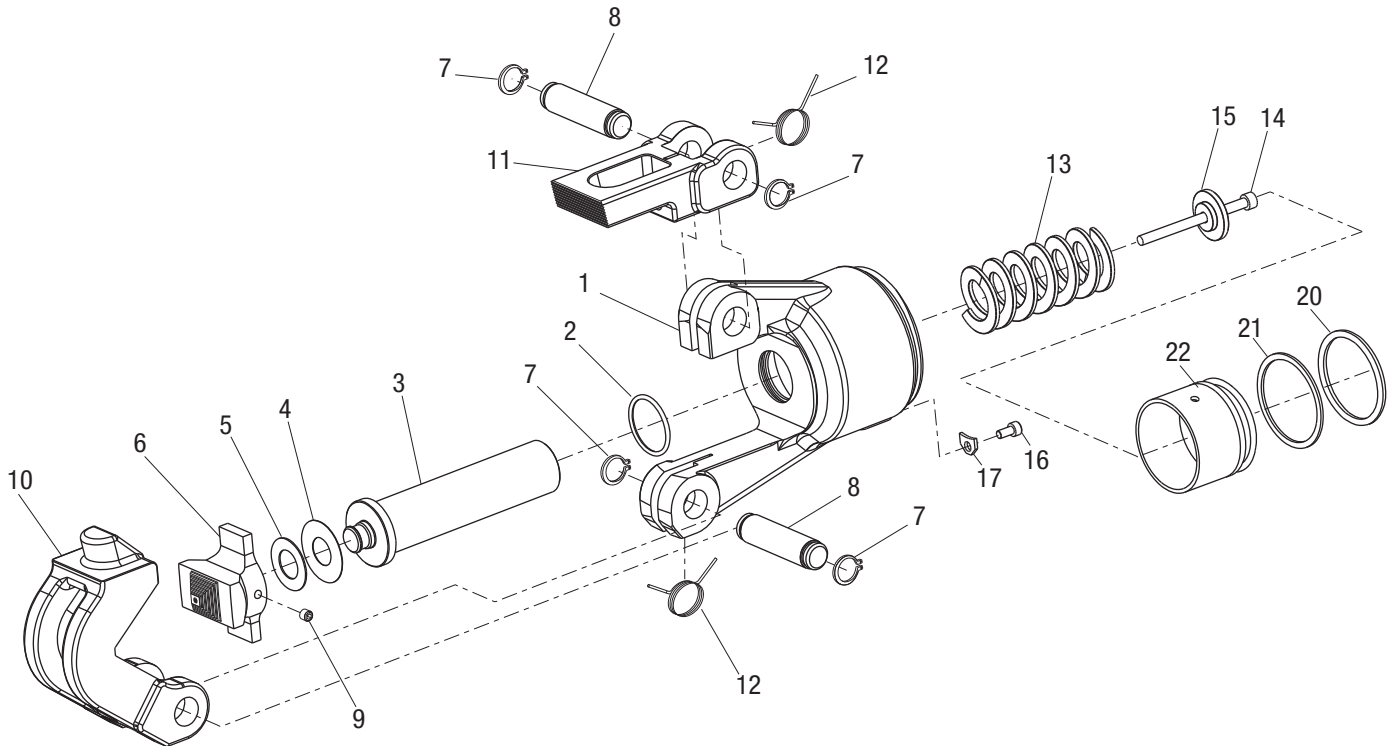
Head and Ram Illustration and Parts List—EK6FTL



Key	Part No.	Description	Qty
	50017225	Quad point flip-top head assembly (includes 1–17)	
1	50017233	Cam yoke assembly.....	1
2	50061178	Latch (includes 7).....	1
3	50061275	Moving jaw.....	2
4		Roller bearing.....	12
5		Bearing retainer.....	2
6	50061216	Latch mounting pin.....	1
7		Latch nib (included in 50061178).....	1
8	50061240	Lock pin.....	1
9	50061160	Side jaw roller.....	2
10	50060910	Compression spring.....	2
11	50060961	Ball screw.....	1

Key	Part No.	Description	Qty
12	50061224	Snap ring.....	2
13	50061003	Screw.....	2
14	50061038	Screw.....	2
15	50103458	Set screw.....	1
16	50017276	Spring pin.....	2
17	52023662	Head cover.....	2
20		O-ring (included in 52054906).....	1
21		Backup ring (included in 52054906).....	1
22	50063812	Piston.....	1
23	50063405	Pin.....	1
24	50058398	Compression spring.....	1
25	50063820	Sleeve.....	1
	50061291	Bearing retainer kit (includes 4, 5)	

Head and Ram Illustration and Parts List—EK12IDL



Key	Part No.	Description	Qty
	52024011	Head and ram unit (includes 1–5, 7–17)	
1	52020271	Yoke.....	1
2		O-ring (included in 52054906).....	1
3	52020510	Ram.....	1
4	52020512	Spacer, .010 x 1.181 x .531.....(as needed)	
5	50337300	Spacer, .025 x .997 x .549.....(as needed)	
6	52025013	Indenter.....	1
7	90513533	Retaining ring.....	4
8	52020513	Pivot pin.....	2
9		Screw, #10-32 x .25 skt set cone pt.....	1
10	52064268	Crimp head.....	1
11	52020273	Latch.....	1

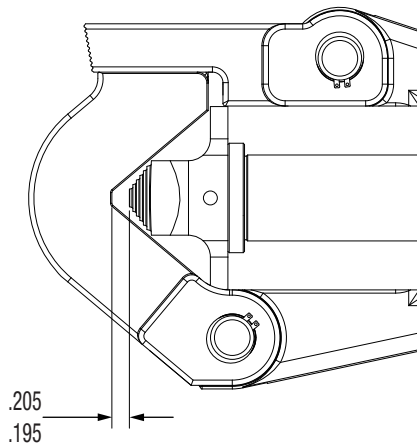
Key	Part No.	Description	Qty
12	50111230	Torsion spring.....	2
13		Spring.....	1
14		Screw, M6-1.0 x 80 mm skt head cap.....	1
15		End cap.....	1
16		Screw, M5-0.8 x 10 mm skt head cap.....	1
17		Stop.....	1
20		O-ring (included in 52054906).....	1
21		Backup ring (included in 52054906).....	1
22	50067796	Piston.....	1
	52021550	Spring kit (includes 2, 13–17)	

Indenter and Head Replacement—EK12IDL

This procedure is separated into two sections, one for the indenter and one for the head.

Indenter

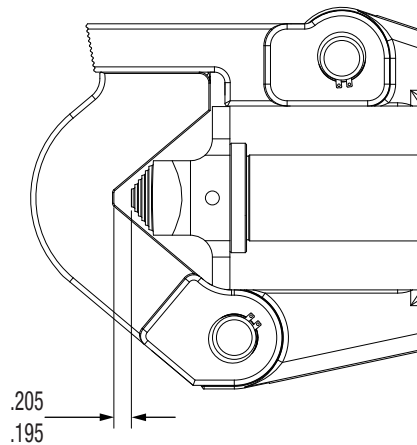
1. Lift the latch and open the crimping head.
2. Remove set screw (9), indenter (6), and any spacers (4 and 5).
3. Lubricate indenter tangs that slide against the yoke. Reinstall spacers (4 and 5) and indenter (6).
4. Close crimping head and check that latch and head are fully engaged.
5. Reinstall the battery and advance the indenter to full stroke. Release trigger when the sound of motor speed begins to slow down.
6. Measure the distance between the bottom of the indenter and head as shown below. The distance should measure 4.953 mm to 5.207 mm (.195" to .205"). If the dimension is outside this range, remove set screw (9) and indenter (6).
 - to increase distance, remove a spacer (4, 5).
 - to decrease distance, add a spacer (4, 5).



7. Install indenter (6) and secure with set screw (9).

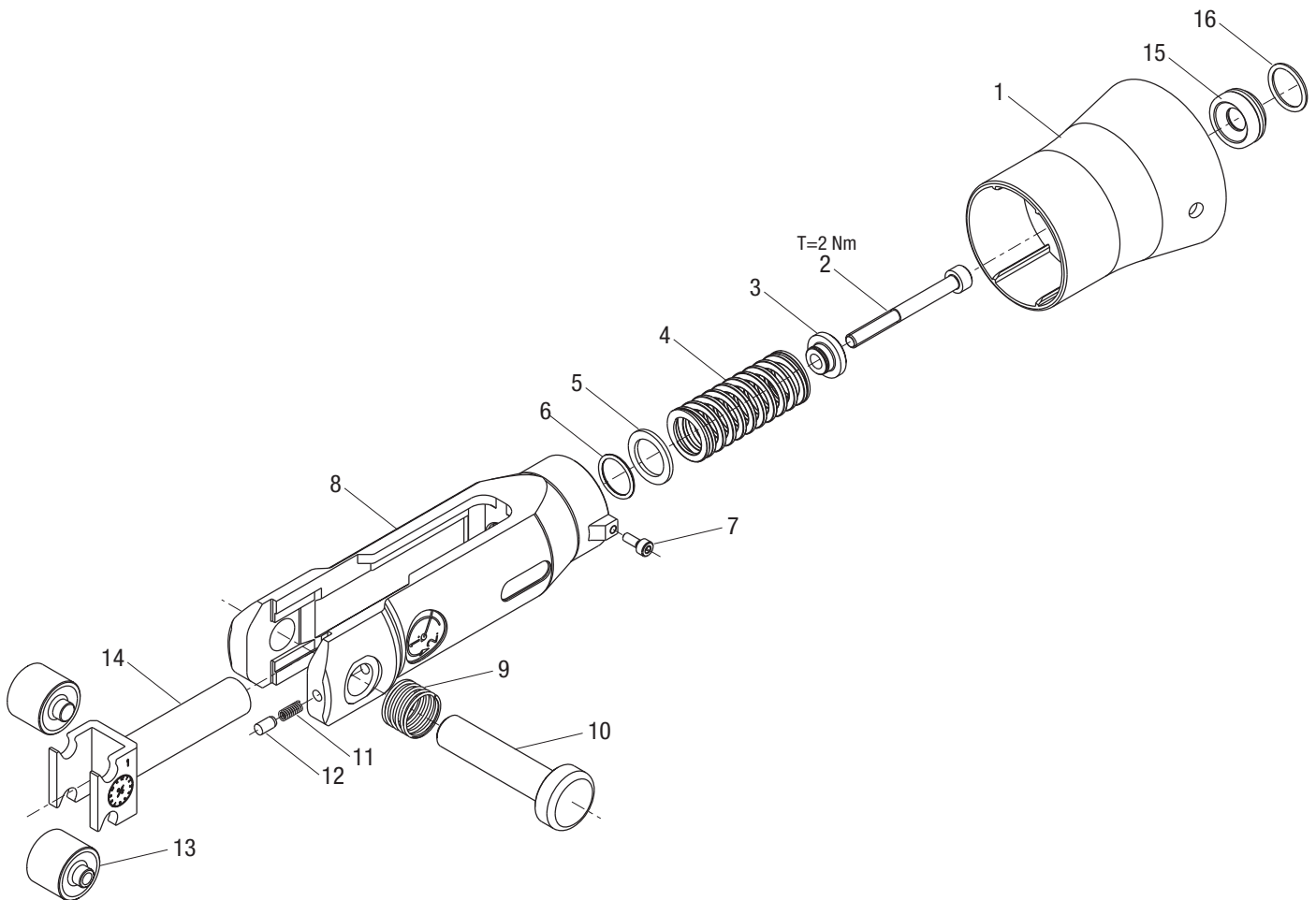
Head

1. Lift the latch and open the crimping head.
2. Remove the retaining ring (7), pin (8), head (10), and spring (12).
3. Install spring (12) with long end into the yoke hole. Reinstall head (10), pin (8), and retaining ring (7).
4. Close crimping head and check that latch and head are fully engaged.
5. Reinstall the battery and advance the indenter to full stroke. Release trigger when the sound of motor speed begins to slow down.
6. Measure the distance between the bottom of the indenter and head as shown below. The distance should measure 4.953 mm to 5.207 mm (.195" to .205"). If the dimension is outside this range, remove set screw (9) and indenter (6).
 - to increase distance, remove a spacer (4, 5).
 - to decrease distance, add a spacer (4, 5).



7. Install indenter (6) and secure with set screw (9).

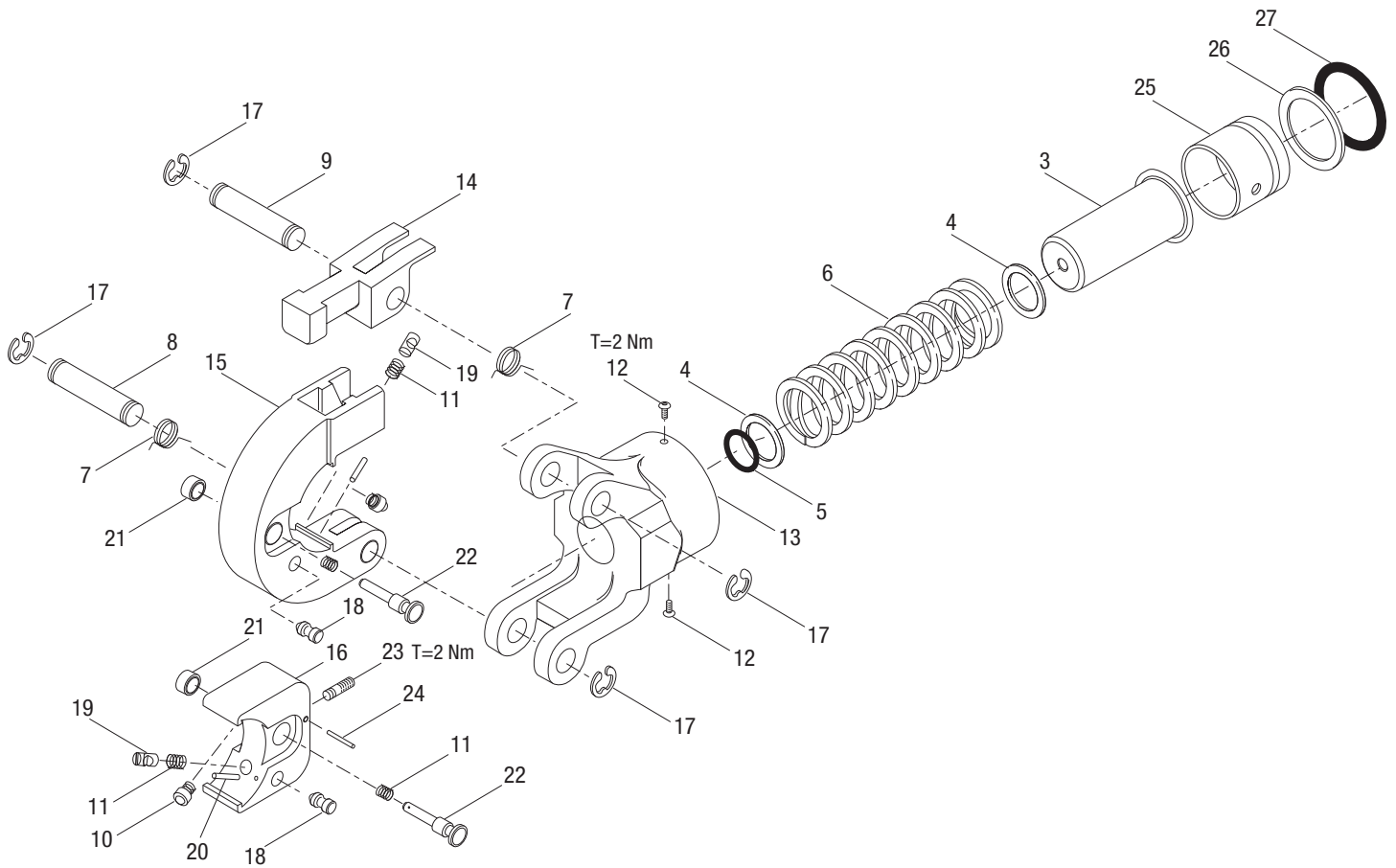
Ram Illustration and Parts List—EK425PL



Key	Part No.	Description	Qty
	52080600	Ram unit (includes 1–14).....	1
1	52080623	Sheath	1
	52049399	Spring kit (includes 2–6)	
2		Shoulder bolt.....	1
3		Disc	1
4		Compression spring	1
5		Washer	1
6*		O-ring (included in 50047957).....	1
7	52057496	Screw	1
8		Jaw holder.....	1

Key	Part No.	Description	Qty
	52049400	Latch kit (includes 9–12)	
9		Compression spring	1
10		Locking pin.....	1
11		Compression spring	1
12		Pin	1
	52049401	Roller kit (includes 13, 14)	
13		Roller	2
14		Ram.....	1
15	50120050	Bushing with seal	1
16*		Seal bushing (included in 50047957)	1

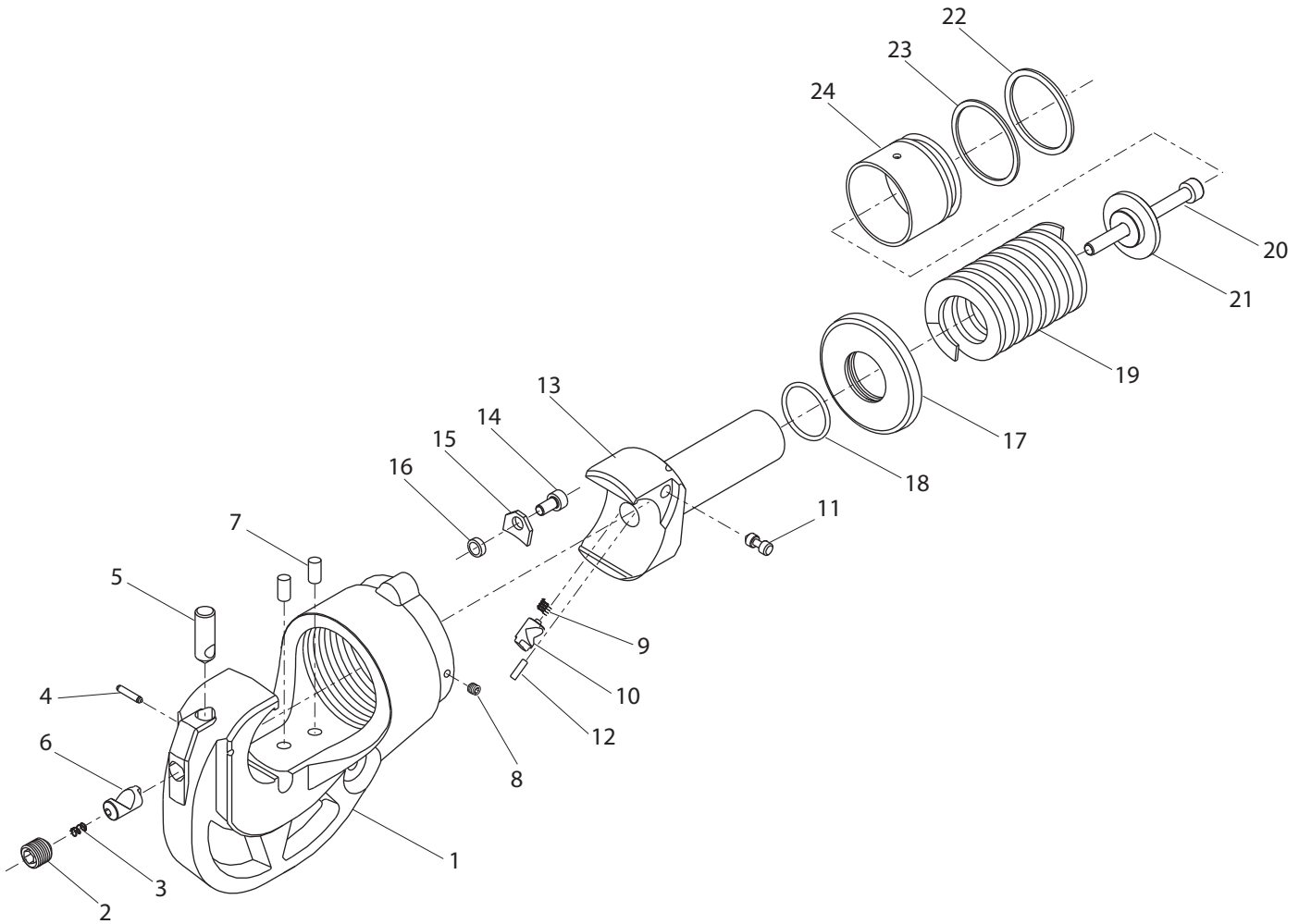
Head and Ram Illustration and Parts List—EK622PL



Key	Part No.	Description	Qty
	52054798	Head assembly (includes 3–24)	
3	52055797	Ram	1
4	52080214	Adapter disk	2
5*		O-ring (included in 50047957)	1
6	50058398	Compression spring	1
	52055866	Pin kit (includes 7–9, 17)	
7		Spring	2
8		Pin	1
9		Pin	1
	52055867	Die retainer kit (includes 10, 11, 18–22)	
10		Die retainer	2
11		Compression spring	4
12	52057106	Screw	2
13	50058304	Bottom crimp head	1
14	50121693	Latch	1

Key	Part No.	Description	Qty
15	50121731	Top die holder	1
16	50121715	Bottom die holder	1
17		Retaining ring	4
18		Die release button	2
19		Die retainer	2
20		Roll Pin	2
21		Die release button	2
22		Locking pin	2
	52055865	Die holder kit (includes 23, 24)	
23		Threaded stud	1
24		Pin	1
25	52020648	Piston cup	1
26*		Backup ring (included in 50047957)	1
27*		O-ring (included in 50047957)	1

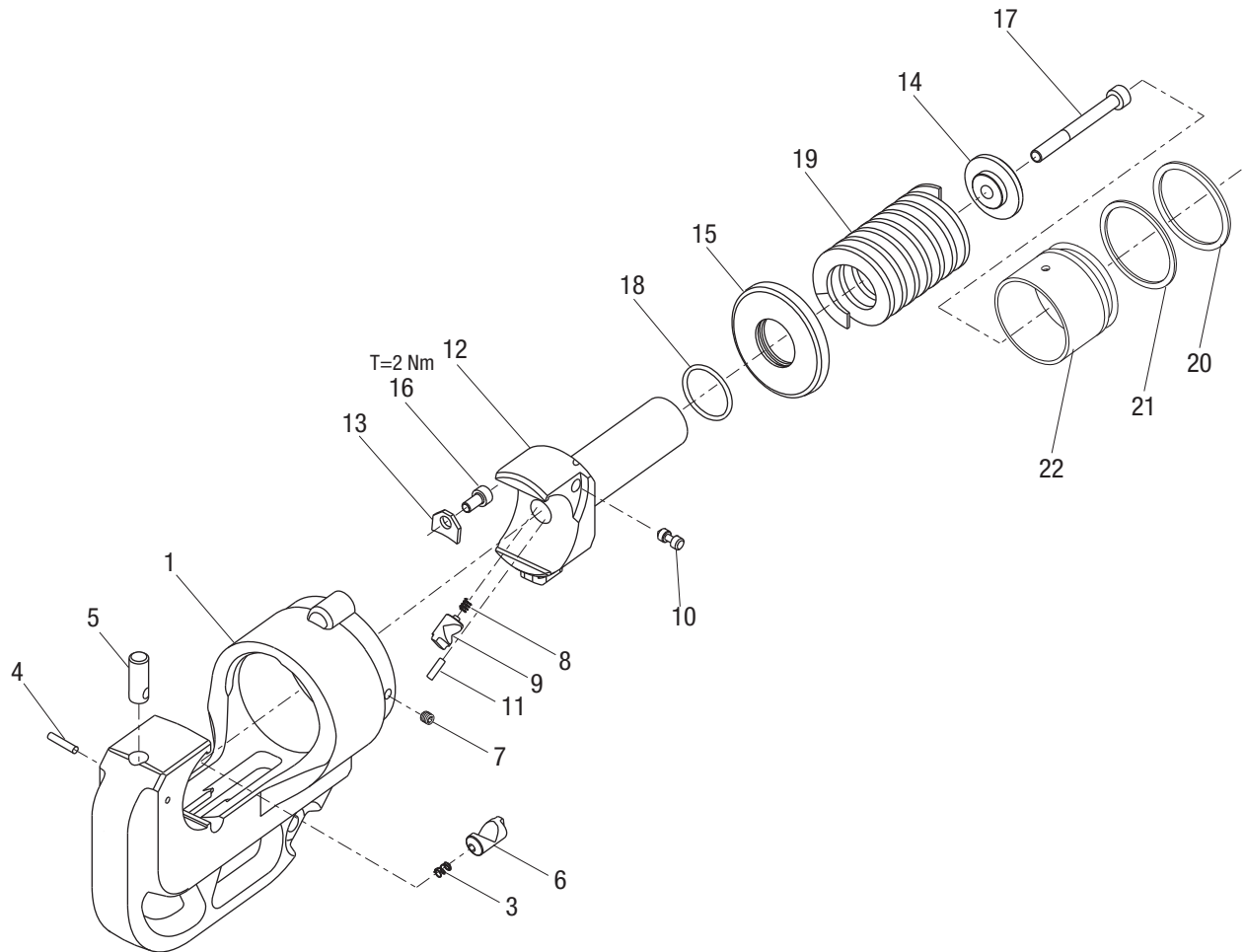
Head and Ram Illustration and Parts List—EK1230L



Key	Part No.	Description	Qty
	50053728	C-head assembly, 30 mm (includes 1–8)	
1		C-head	1
2	90550609	Set screw	1
3	50038214	Compression spring	1
4	90550633	Groove pin	1
5	50053175	Die release button	1
6	50053191	Die release pin	1
7	90550625	Groove pin	2
8	90550617	Set screw	1
	50053779	Ram assembly (includes 9–13)	
9	50038214	Compression spring	1
10	50053167	Die release pin	1
11	50053183	Release shaft	1
12	90550641	Spring pin	1
13		Ram	1

Key	Part No.	Description	Qty
	50067079	Spring kit (includes 14–21)	
14		Screw, M5-0.8 x 10 mm skt head cap	1
15		Stop	1
16		Bushing, 5 x 9 x 3T	1
17		Spring stop	1
18		O-ring (included in 52054906)	1
19		Ram spring	1
20		Screw, M6-1.0 x 70 mm skt head cap	1
21		Disc	1
22		O-ring (included in 52054906)	1
23		Backup ring (included in 52054906)	1
24	50067796	Piston	1

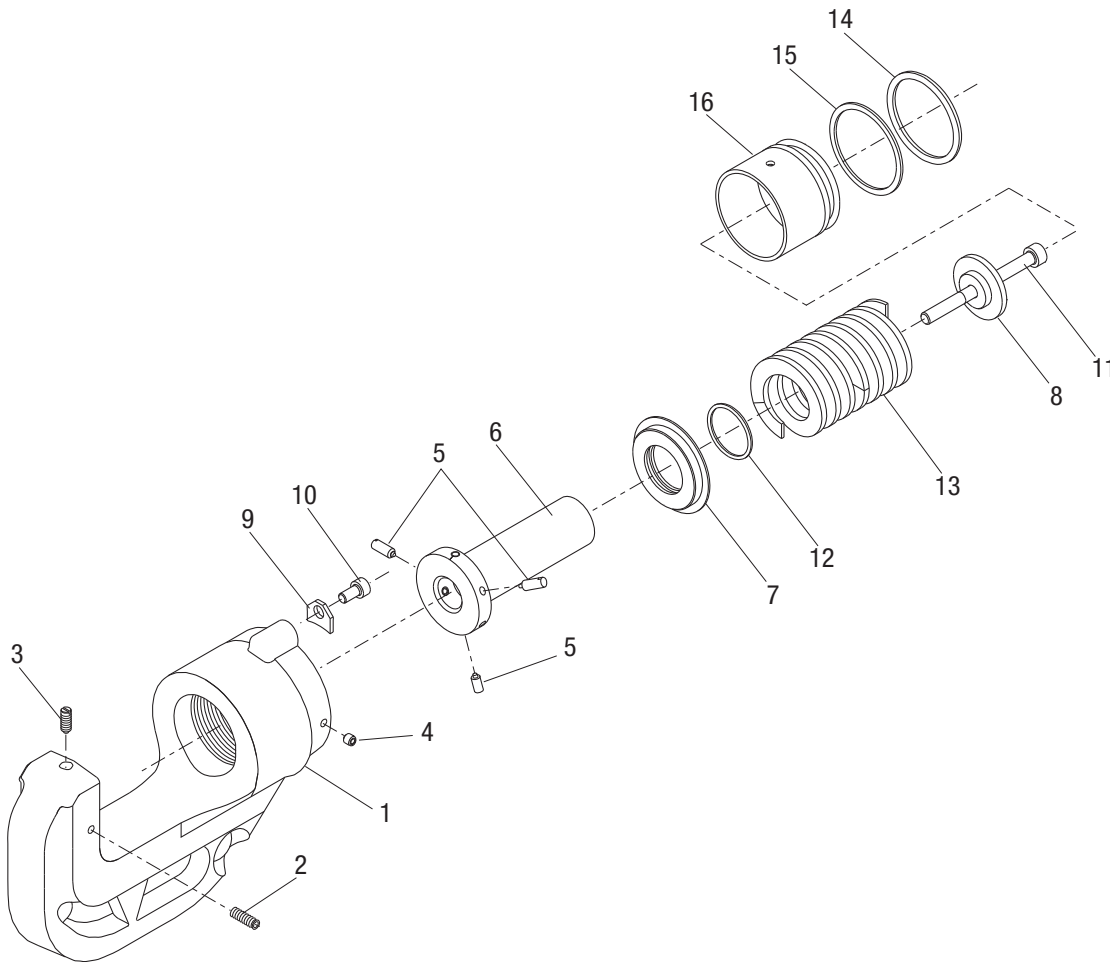
Head and Ram Illustration and Parts List—EK1240L, EK1240CL



Key	Part No.	Description	Qty
	50766056	C-head assembly, 42 mm (includes 1A, 2-7)	
	50766063	C-head assembly, 42 mm, PVC-covered (includes 1B, 2-7)	
1A		C-head, 42 mm	1
1B		C-head, 42 mm, PVC-covered.....	1
3	50038214	Compression spring.....	1
4	90550633	Groove pin.....	1
5	50053175	Die release button	1
6	50053191	Die release pin.....	1
7		Set screw, M5-0.8 x 5 mm skt cup pt.....	1
	50053787	Ram assembly (includes items 8-12)	
8	50038214	Compression spring.....	1
9	50053167	Die release pin.....	1
10	50053183	Release shaft.....	1
11	90550641	Spring pin.....	1
12		Ram.....	1

Key	Part No.	Description	Qty
	50067087	Spring kit (includes 13-19)	
13		Stop.....	1
14		Disc	1
15		Spring stop.....	1
16		Screw, M5-0.8 x 10 mm skt head cap	1
17		Screw, M6-1.0 x 80 mm skt head cap	1
18		O-ring (included in 52054906).....	1
19		Ram spring.....	1
20		O-ring (included in 52054906).....	1
21		Backup ring (included in 52054906).....	1
22	50067796	Piston	1

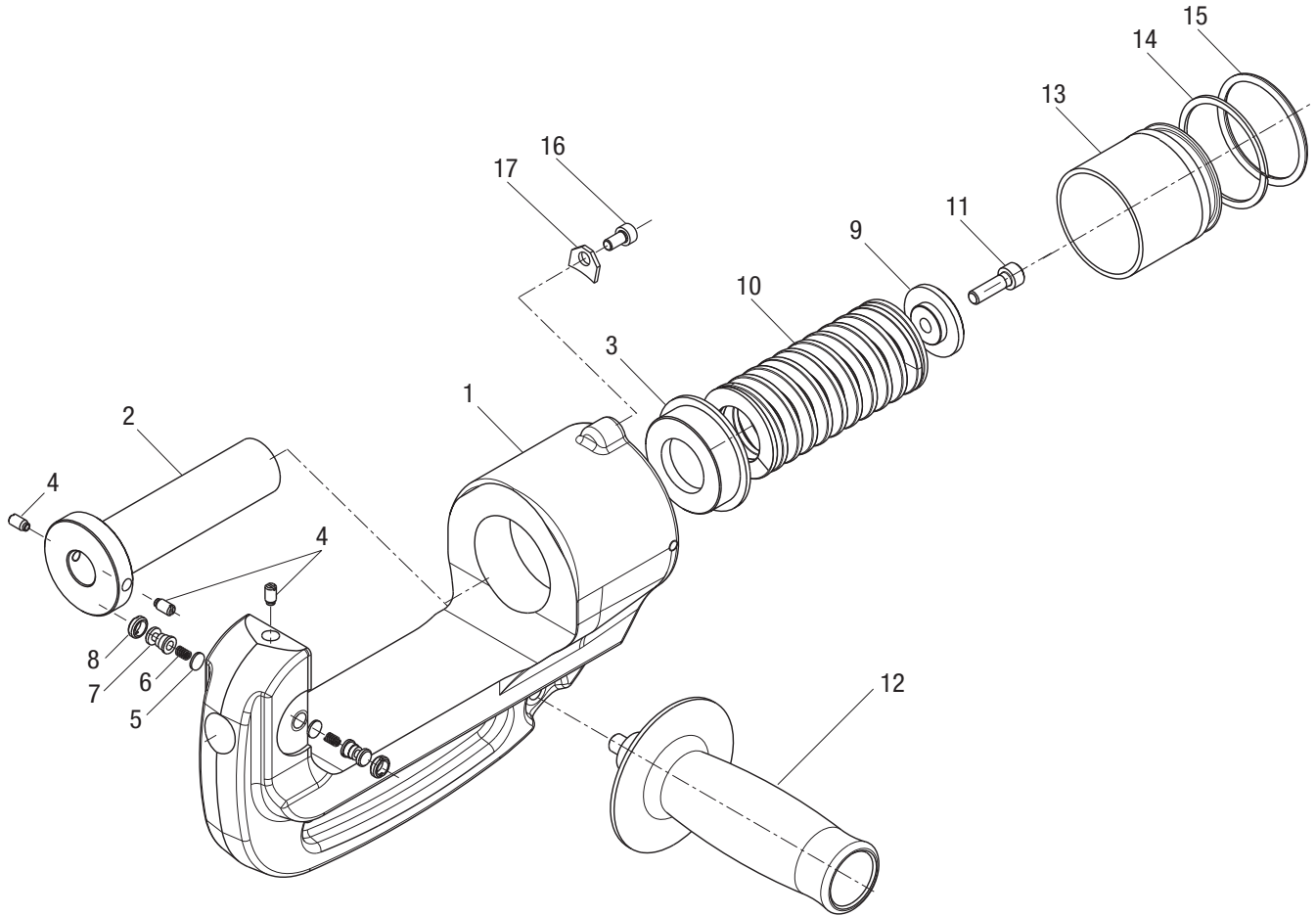
Head and Ram Illustration and Parts List—EK1240KL



Key	Part No.	Description	Qty
	50054767	C-head assembly, Kearney (includes 1–4)	
	52080188	C-head assembly, Kearney (includes 1–13)	
1		C-head	1
2	90507932	Set screw	1
3	90539621	Ball detent	1
4	90550617	Set screw	1
5	90539621	Ball detent	3
6	50066714	Ram	1

Key	Part No.	Description	Qty
	50067095	Spring kit (includes 7–13)	
7		Stop spring.....	1
8		Disc	1
9		Stop.....	1
10		Screw, M5-0.8 x 10 mm skt head cap	1
11		Screw, M6-1.0 x 70 mm skt head cap	1
12		O-ring (included in 52054906).....	1
13		Ram spring.....	1
14		O-ring (included in 52054906).....	1
15		Backup ring (included in 52054906).....	1
16	50067796	Piston	1

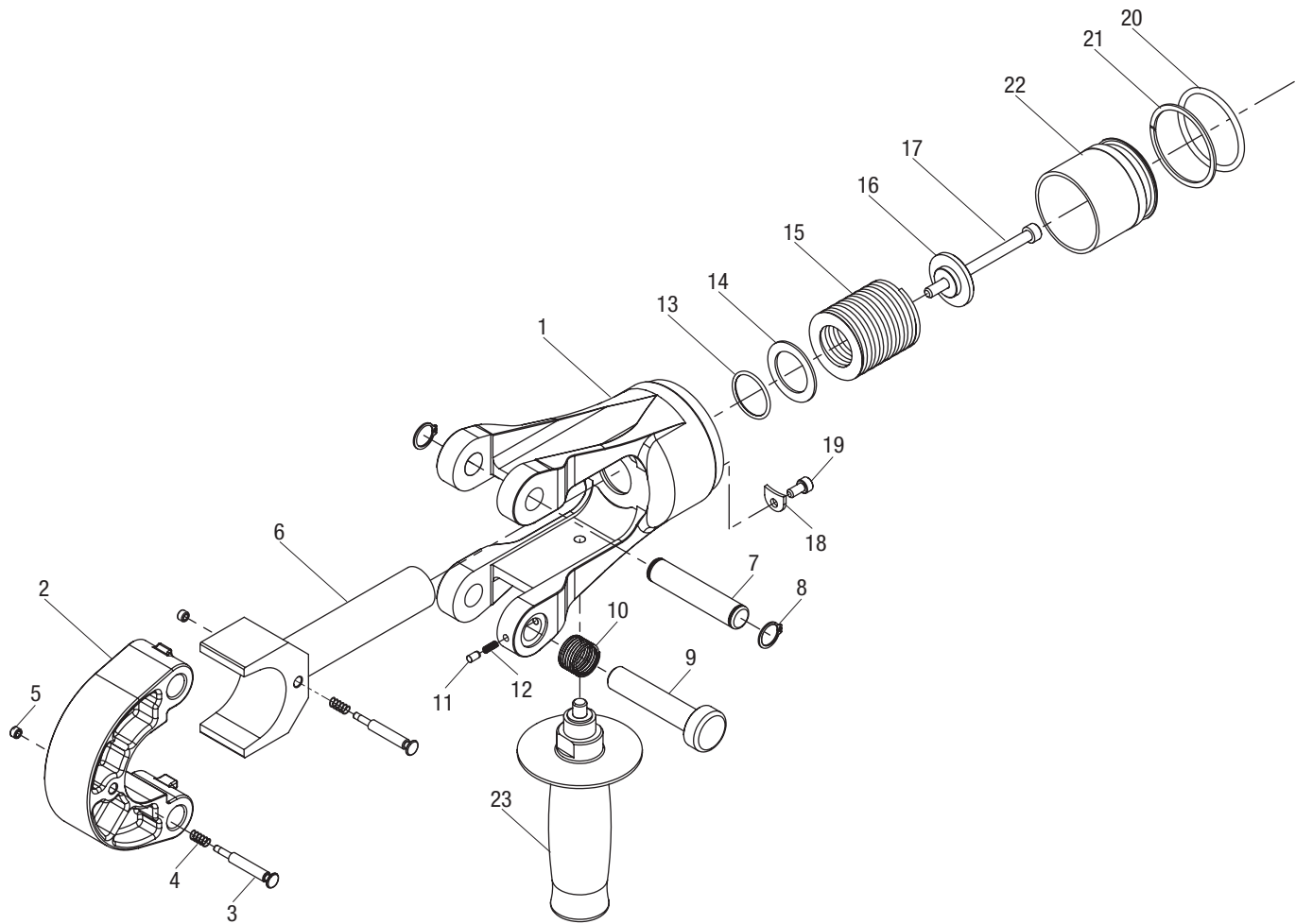
Head and Ram Illustration and Parts List—EK1550L



Key	Part No.	Description	Qty
	52048139	Head unit (includes 1–11)	
1		Crimp head.....	1
2		Ram.....	1
3		Piston guide	1
4	90539621	Ball plunger	3
	52047036	Die retainer kit (includes 5–8)	
5		Disk	2
6		Spring.....	2
7		Die pin	2
8		Nut.....	2

Key	Part No.	Description	Qty
9	50066900	End cap.....	1
10		Spring.....	1
11		Screw, M6-1.0 x 20 mm skt head cap	1
12	52020646	Handle	1
13	52047044	Piston	1
14		Backup ring (included in 52054906).....	1
15		O-ring (included in 52054906).....	1
16	50043767	Screw	1
17	52061362	Stop.....	1

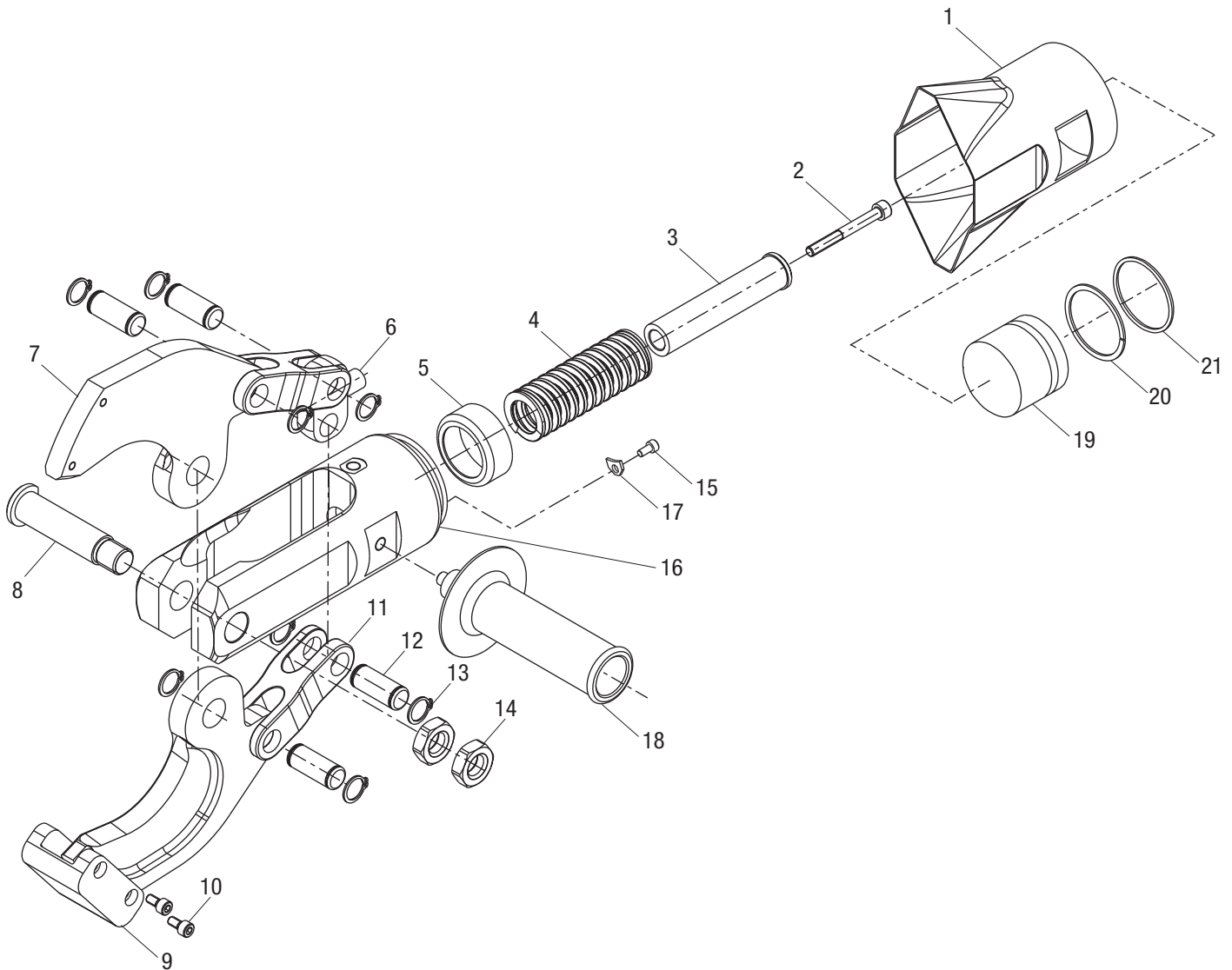
Head and Ram Illustration and Parts List—EK1550FL



Key	Part No.	Description	Qty
	52061348	Head assembly (includes 1–19)	
1		Crimping head base.....	1
2		Head, movable.....	1
3		Die retaining pin.....	2
4		Compression spring.....	2
5		Die releasing button.....	2
6		Ram.....	1
7		Pin.....	1
8		Retaining ring.....	2
9		Pull pin.....	1
10		Compression spring.....	1
11		Lock pin.....	1
12		Compression spring.....	1
13		O-ring.....	1

Key	Part No.	Description	Qty
14		Washer.....	1
15		Spring.....	1
16		End cap.....	1
17		Screw, M6 x 80 mm socket head cap.....	1
18	50066943	Stop.....	1
19		Screw, M5 x 10 mm socket head cap.....	1
20		O-ring (included in 52054906).....	1
21		Backup ring (included in 52054906).....	1
22	52047044	Piston cup.....	1
23	52020646	Handle.....	1
	52062270	Die pin kit (includes two each of 3–5)	
	52062271	Pivot pin kit (includes 7–12)	
	52062272	Seal kit (includes 13, 20, 21)	
	52062273	Ram kit (includes 6, 15–17)	

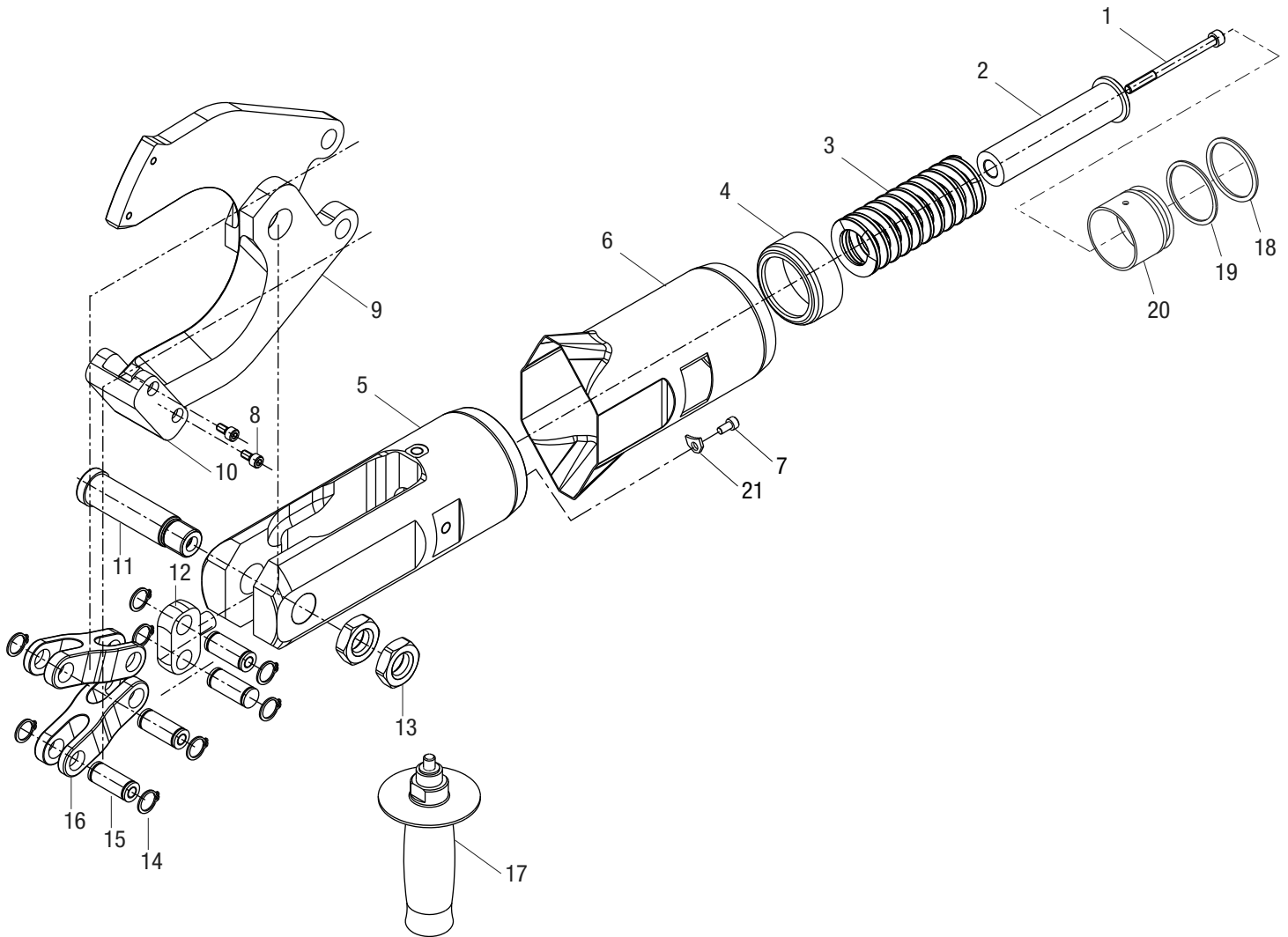
Head and Ram Illustration and Parts List—ESC85L



Key	Part No.	Description	Qty
	52057512	Cutting head (includes 1–17)	
1		Shrink cover	1
2		M6 x 55 mm socket head cap screw	1
3	52020641	Piston rod	1
4	50058258	Return spring	1
5	52057514	Spring cup	1
6		Bearing block	1
7	52057513	Blade	2
8	52020643	Clevis pin	1
9	52046709	Blade guide	1
10	50043676	M5 socket head cap screw	2
11		Link	2

Key	Part No.	Description	Qty
12		Pin	4
13		Retaining ring	8
14	52020644	M16 hex nut	2
15		Screw	1
16		Yoke	1
17	50066943	Stop	1
18	52020646	Handle	1
19	52020648	Piston	1
20		Piston backup ring (included in 52054906)	1
21		O-ring (included in 52054906)	1
	52046857	Pin kit (includes 12,13)	

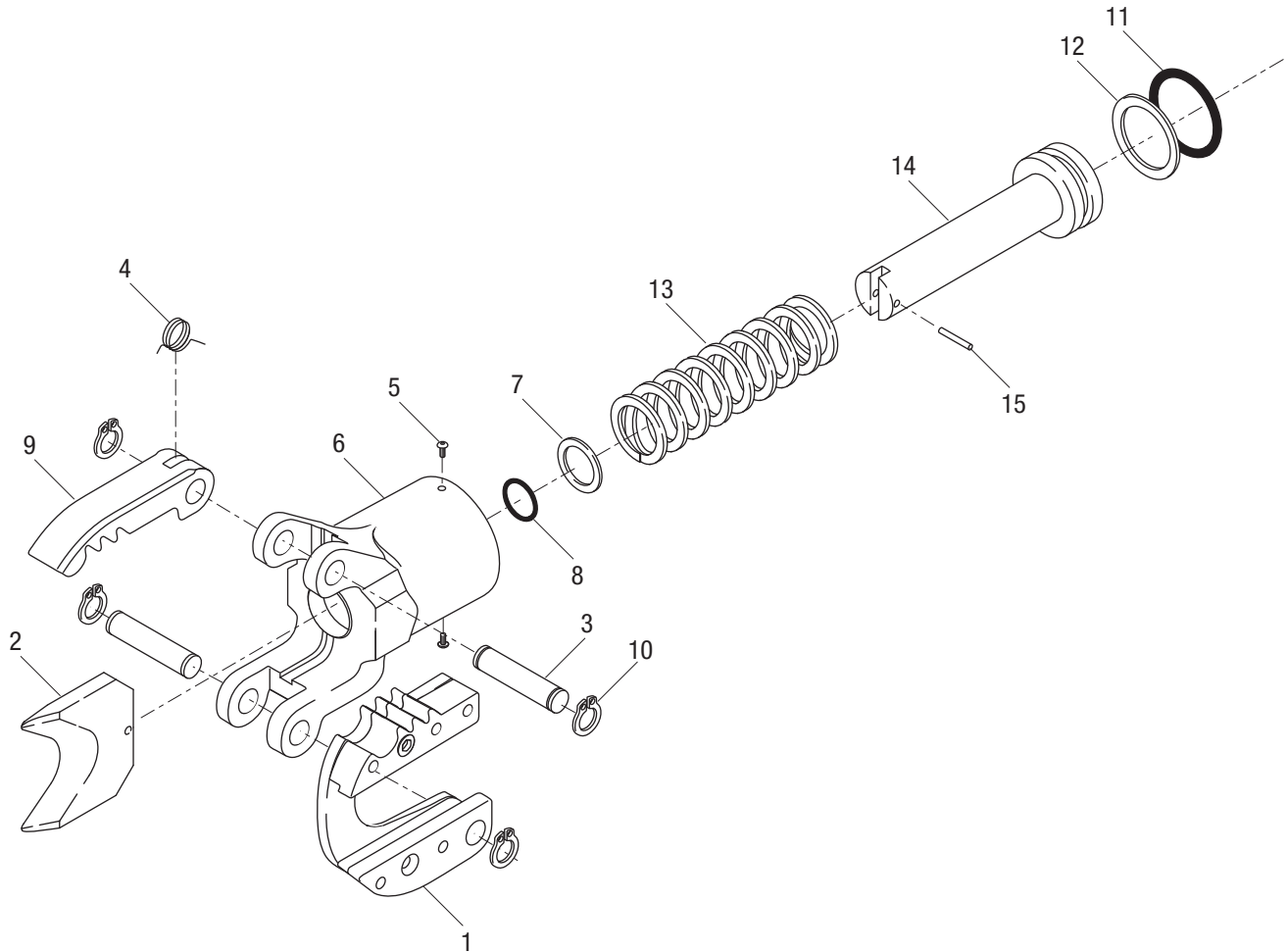
Head and Ram Illustration and Parts List—ESC105L



Key	Part No.	Description	Qty
	52046698	Cutting head (includes 1-16)	
1		Screw	1
2		Piston rod	1
3		Spring	1
4		Cylinder sleeve	1
5		Cutter body	1
6		Tubing	1
7	50049216	Socket head cap screw	1
8		Socket head cap screw	2
9		Cutter blade	2
10		Blade guide	1
11		Pivot pin	1
12		Attachment block	1

Key	Part No.	Description	Qty
13		Hex nut	2
14		Retaining ring	8
15		Pin	4
16		Double fork	2
17	52020646	Handle	1
18		O-ring (included in 52054906)	1
19		Backup ring (included in 52054906)	1
20	50067796	Piston	1
21	52056967	Stop	1
	52046856	Blade kit (includes 8-10)	
	52046857	Pin kit (includes 14, 15)	
	52046858	Attachment block kit (includes 1, 12)	

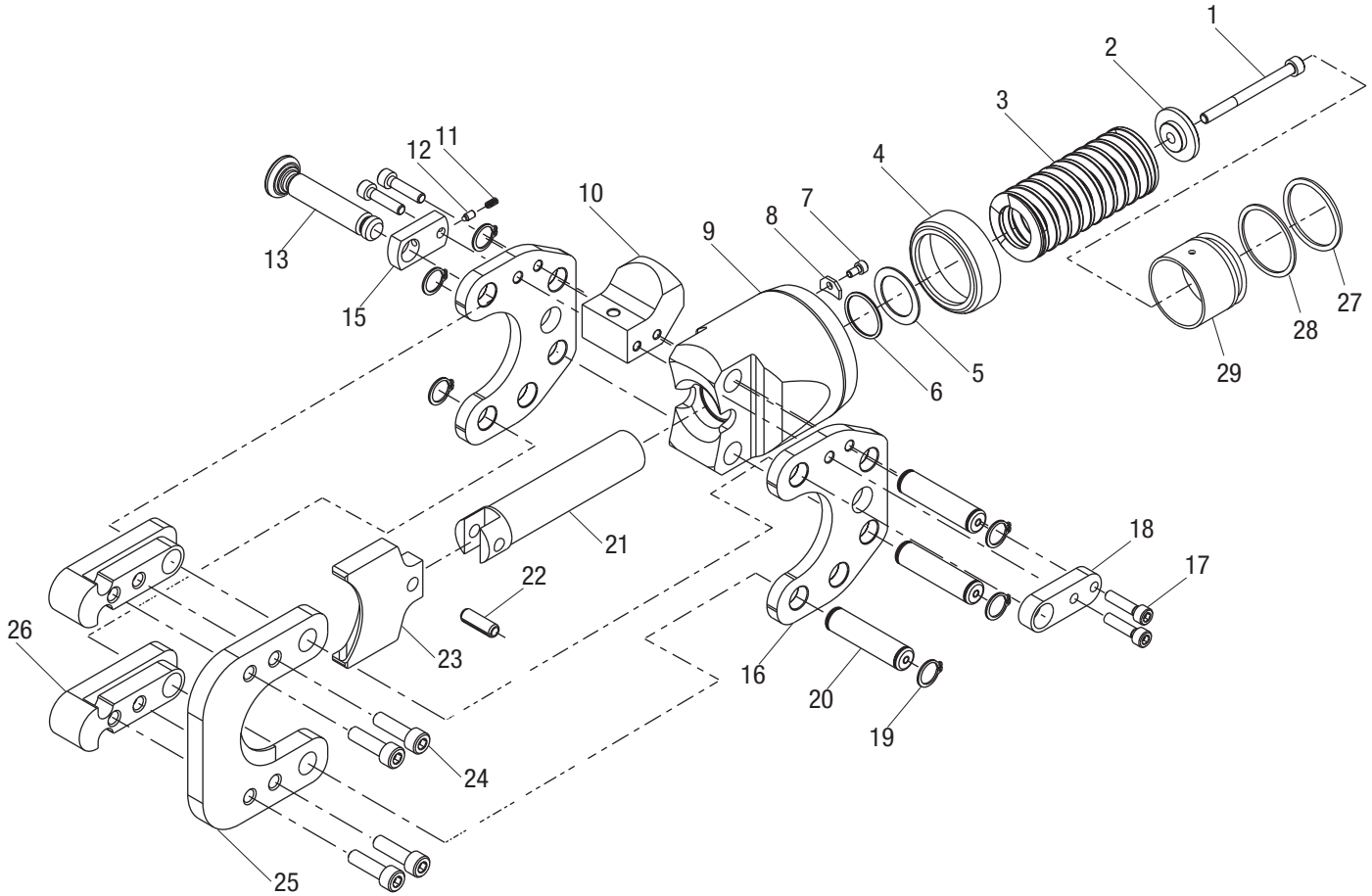
Head and Ram Illustration and Parts List—ESG50L



Key	Part No.	Description	Qty
	50014145	Head unit (includes 1–10)	
1	50041843	Cutting head.....	1
2	50041819	Cutting blade.....	1
3	50041797	Pin	2
4	50041746	Spring.....	1
5	50041681	Screw	2
6	50058240	Cutting head base.....	1
7	50058371	Adapter disk.....	1
8		O-ring (included in 52054906).....	1
9	50041789	Latch	1
10	50034308	Retaining ring	4

Key	Part No.	Description	Qty
11		O-ring (included in 52054906).....	1
12		Piston backup ring (included in 52054906)	1
13	50058258	Compression spring	1
14	50058266	Piston	1
15	50041967	Pin	1

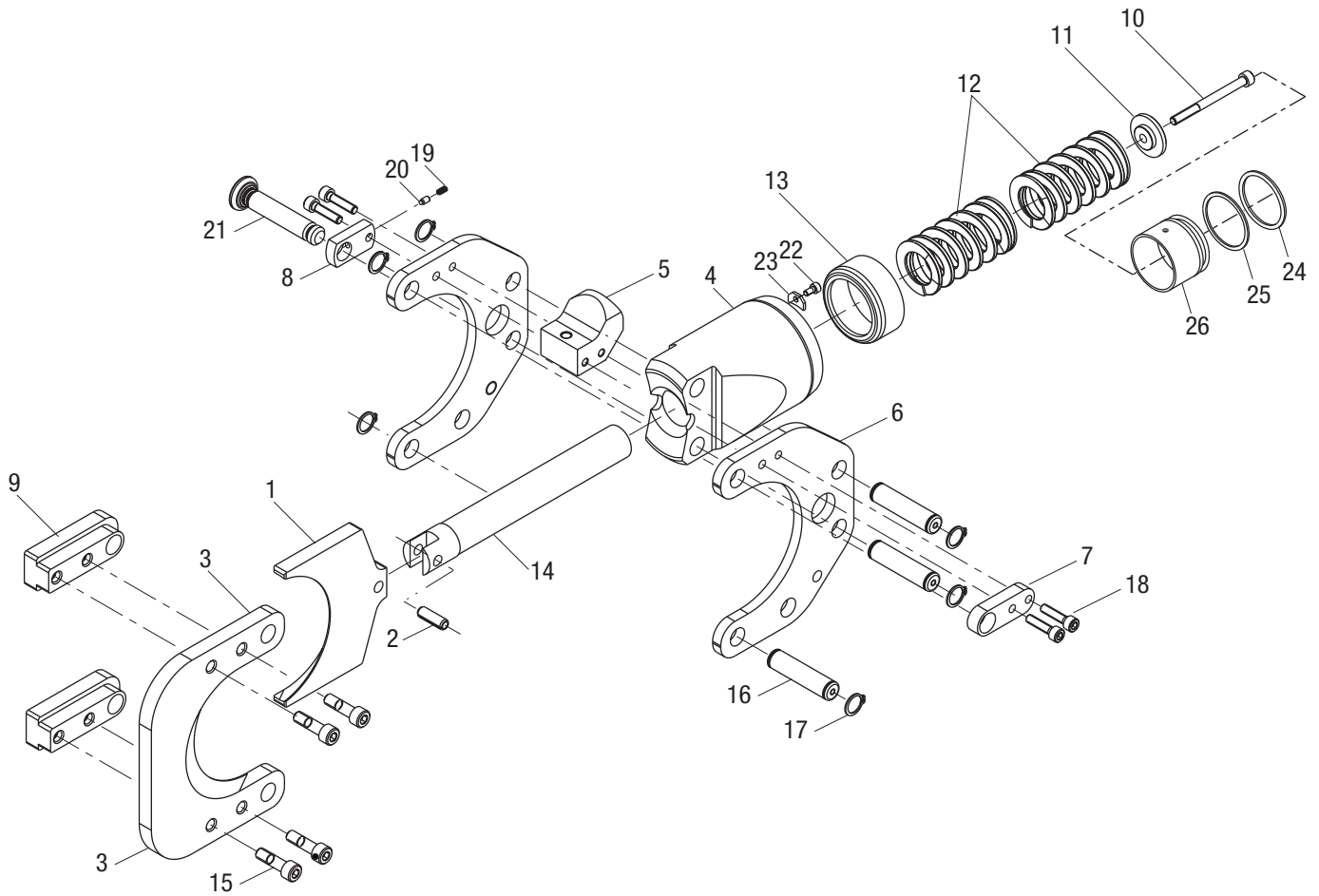
Head and Ram Illustration and Parts List—ESG55L



Key	Part No.	Description	Qty
	52056980	Head and ram unit (includes 1–26)	
1	50066951	Spring bolt.....	1
2	50066900	End cap.....	1
3		Spring.....	1
4		Spring guide.....	1
5		Adapter disk.....	1
6		O-ring (included in 52054906).....	1
7		Screw	1
8		Stop.....	1
9		Cutting head base.....	1
10		Handle block	1
11		Compression spring.....	1
12		Ball pin indent	1
13		Pin assembly.....	1
15		Pin guide	1
16		Frame plate	2

Key	Part No.	Description	Qty
17		Screw	4
18		Spacer	1
19		Retaining ring	6
20		Pin	3
21		Blade holder	1
22		Pin	1
23	52056976	Cutting blade.....	1
24		Screw	4
25	52056978	Cutting head.....	1
26		Blade guide	2
27		O-ring (included in 52054906).....	1
28		Backup ring (included in 52054906).....	1
29	50067796	Piston	1
	52065181	Fastener kit (includes 7, 8, 11, 12, 17, 19, 20, 22, 24)	

Head and Ram Illustration and Parts List—ESG105L



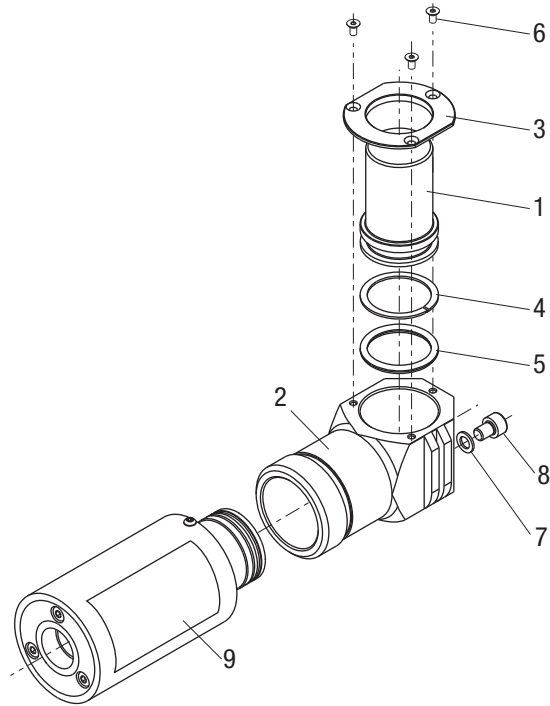
Key	Part No.	Description	Qty
	52065118	Cutting head (includes 1–23)	
1	52065125	Movable cutting blade.....	1
2	52056975	Pin	1
3	52065124	Fixed cutting blade.....	1
4		Cutting head base.....	1
5		Handle block	1
6		Frame plate	2
7		Spacer	1
8		Pin guide	1
9		Blade guide	2
10		Socket head cap screw.....	1
11		End cap	1
12		Spring, 40 mm.....	2
13		Cylinder sleeve.....	1
14		Blade holder	1
15		Screw	4

Key	Part No.	Description	Qty
16		Pin	3
17		Retaining ring	6
18		Screw	4
19		Compression spring.....	1
20		Ball pin detent	1
21		Pin assembly	1
22		Fillister head screw.....	1
23		Stop.....	1
24		O-ring	1
25		Backup ring (included in 52054906).....	1
26	50067796	Piston	
	52065149	Plate kit (includes 4–9)	
	52065150	Spring kit (includes 10–14)	
	52065181	Fastener kit (includes 2, 15–23)	

Accessories—E6CCXL and E12CCXL

Punch Driver Adapter—UA12P Illustration and Parts List

Key	Part No.	Description	Qty
50118900 Punch driver adapter CCX			
1		Piston	1
2		Housing	1
3		Piston stop ring	1
4		Piston backup ring (included in 52054906)	2
5		O-ring (included in 52054906)	2
6	50041576	Screw	3
7		Lock washer	1
8		Cap screw, M6x8	1
9	50120085	Decal, identification	1
	50017420	Seal kit, UA6P punch adapter (includes 4, 5, 7)	



Cylinder Assembly Illustration and Parts List

Key	Part No.	Description	Qty
50017403 Cylinder assembly			
1	50058282	Ram housing	1
2	50049267	Ram	1
3	50058274	Piston	1
4		Compression spring	1
5	50041681	Screw	2
6	50049275	Spacer	3
7	50049291	Cap screw, M4x60	3
8		Piston backup ring (included in 52054906)	1
9		O-ring (included in 52054906)	1

