

## CONTINUOUS HINGE WITH FLANGE TROUGH COLLAR, TYPE 12



### APPLICATION

Used in automotive and other applications that require an outward formed external flange trough collar to keep out liquids and contaminants. These enclosures feature tool-to-open latches for securing cover.

### SPECIFICATIONS

- 16 gauge body, 16 or 14 gauge door
- External formed body flange channels away liquids
- Continuous hinge
- Bonding provision on door
- Heavy-duty, tool-to-open, plated latches
- Oil-resistant gasket
- External welded-on mounting brackets for easy installation
- Weldnuts provided for mounting optional panels and terminal block kits
- Seams continuously welded and ground smooth

### FINISH

ANSI 61 gray polyester powder paint inside and out

### ACCESSORIES

See also *Accessories*.

Panels for Junction Boxes

Junction Box and Wall-Mount Enclosure Swing Out Panel Kit

Terminal Block Kit Assembly for Junction Boxes Overview

Steel and Stainless Steel Window Kits

### MODIFICATION AND CUSTOMIZATION

Hoffman excels at modifying and customizing products to your specifications. Contact your local Hoffman sales office or distributor for complete information.

**BULLETIN: A51**

### INDUSTRY STANDARDS

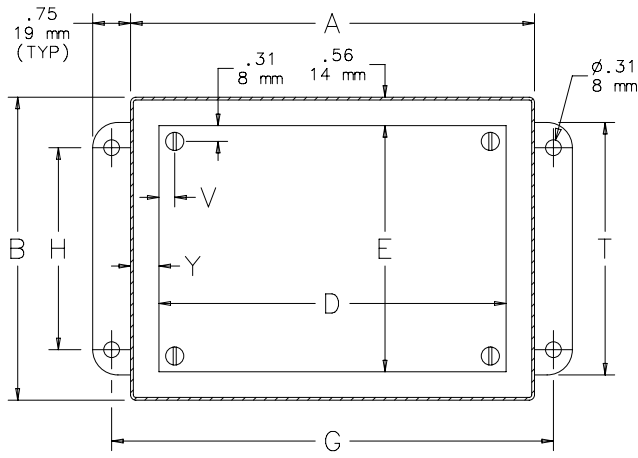
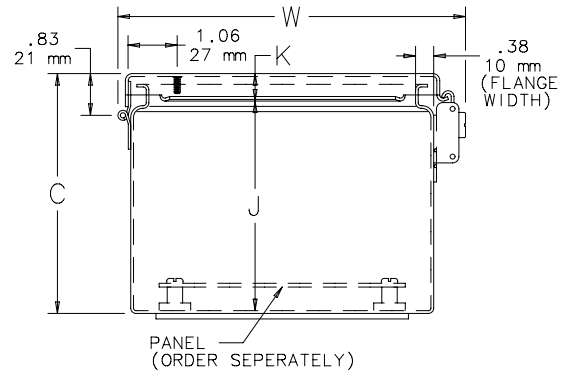
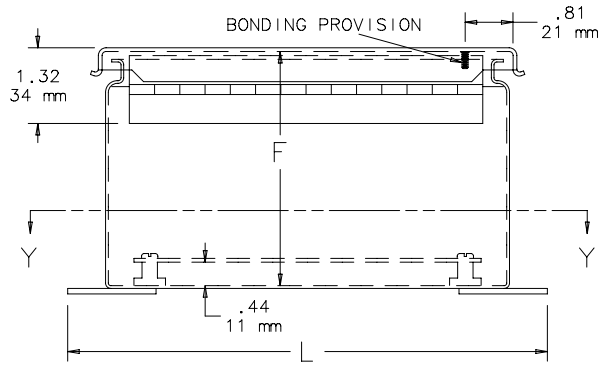
UL 50, 50E Listed; Type 12, 13; File No. E27567  
 cUL Listed per CSA C22.2 No. 94; Type 12, 13; File No. E27567  
 UL 508A Listed; Type 12, 13; File No. E61997  
 cUL Listed per CSA C22.2 No. 94; Type 12, 13; File No. E61997

NEMA/EEMAC Type 12, 13  
 CSA, File No. 42184, Type 12, 13  
 IEC 60529, IP65

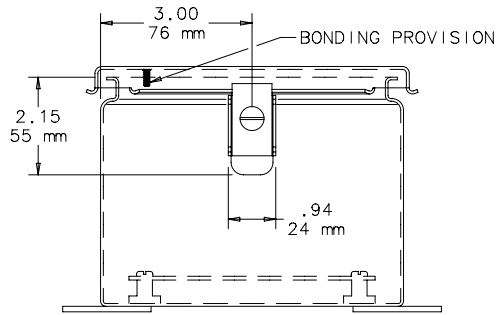
### Standard Product

Catalog Number	AxBxC in./mm	Panel	UL Listed	Conductive Panel	Panel Size D x E in./mm	Mounting G x H in./mm	Overall L x W in./mm	F in./mm	J in./mm	K in./mm	T in./mm	V in./mm	Y in./mm
A604CHFTC	6.00 x 4.00 x 4.75	A6P4	508A	A6P4G	4.88 x 2.88	6.75 x 2.00	7.50 x 4.88	4.10	4.21	0.54	3.00	0.31	0.56
	152 x 102 x 121				124 x 73	171 x 51	190 x 124	104	107	14	76	8	14
A606CHFTC	6.00 x 6.00 x 4.75	A6P6	50, 50E	A6P6G	4.88 x 4.88	6.75 x 4.00	7.50 x 6.88	4.10	4.21	0.54	5.00	0.31	0.56
	152 x 152 x 121				124 x 124	171 x 102	190 x 175	104	107	14	127	8	14
A806CHFTC	8.00 x 6.00 x 4.75	A8P6	50, 50E	A8P6G	6.75 x 4.88	8.75 x 4.00	9.51 x 6.88	4.10	4.21	0.56	5.00	0.25	0.56
	203 x 152 x 121				171 x 124	222 x 102	242 x 175	104	107	14	127	6	14
A1008CHFTC	10.00 x 8.00 x 4.75	A10P8	50, 50E	A10P8G	8.75 x 6.88	10.75 x 6.00	11.50 x 8.88	4.10	4.21	0.56	7.00	0.25	0.56
	254 x 203 x 121				222 x 175	273 x 152	292 x 226	104	107	14	178	6	14
A1210CHFTC	12.00 x 10.00 x 5.75	A12P10	50, 50E	A12P10G	10.75 x 8.88	12.75 x 8.00	13.50 x 10.88	5.10	5.21	0.56	9.00	0.25	0.87
	305 x 254 x 146				273 x 226	324 x 203	343 x 276	130	132	14	229	6	22
A1412CHFTC	14.00 x 12.00 x 6.75	A14P12	50, 50E	A14P12G	12.75 x 10.88	14.75 x 10.00	15.50 x 12.88	6.10	6.21	0.56	11.00	0.25	0.87
	356 x 305 x 171				324 x 276	375 x 254	394 x 327	155	158	14	279	6	22
A1614CHFTC	16.00 x 14.00 x 6.75	A16P14	50, 50E	A16P14G	14.75 x 12.88	16.75 x 12.00	17.50 x 14.88	6.10	6.21	0.56	13.00	0.25	0.87
	406 x 356 x 171				375 x 327	425 x 305	444 x 378	155	158	14	330	6	22

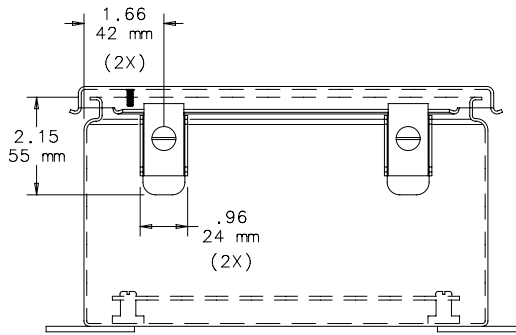
Purchase panels separately. Optional stainless steel, conductive, composite and aluminum panels are available for most sizes.



SECTION Y-Y



$A \leq 8.00$  (203mm)



$A \geq 8.00$  (203mm)

C2808-C