

For Safety, Durability and Performance look to the industry Leader...



Schools



Workshops



Industrial



Outdoor



Wiring Device-Kellems

HUBBELL REEL SOLUTIONS

www.hubbell-wiring.com

Commercial, Industrial & Heavy Duty Hose Reels



Rely on HUBBELL automatic spring, retractable hose reels for convenience, versatility and value. Choose from commercial, industrial or heavy duty hose reels depending upon the hose capacity required, severity of duty and budgets. These high quality hose reels keep hoses organized, save time, money, and improve safety and efficiency while extending hose life. All models are complete with air/water hose installed. Adjustable hose roller guide allows these attractive, yellow powder coated reels to be mounted on the floor, wall or ceiling. To operate, simply pull hose out to desired length and engage the latch, providing free use of the hose. When finished, a slight tug on the hose releases latch allowing the hose to retract quickly.



HBLHR3850C



HBLHR2550I



HBLHR5050HD

Commercial Hose Reels

Air/Water	Catalog Numbers	Inside Diameter Inch (mm)	Length Feet (Meters)	Weight lbs. (Kg)
	HBLHR2550C	.25 (6)	50 (15)	25 (12)
	HBLHR3835C	.38 (10)	35 (11)	23 (11)
	HBLHR3850C	.38 (10)	50 (15)	29 (14)

Industrial Hose Reels

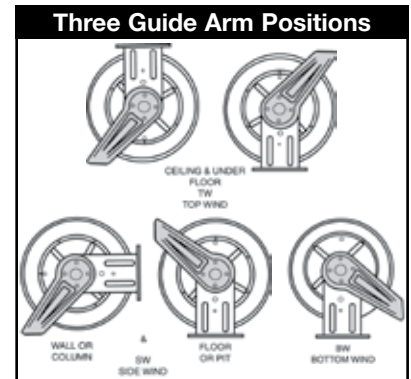
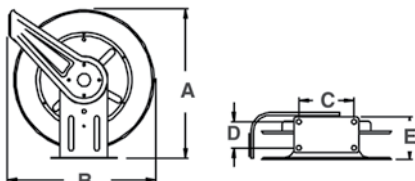
Air/Water	Catalog Numbers	Inside Dia. Inch (mm)	Length Feet (Meters)	Weight lbs. (Kg)
	HBLHR2550I	.25 (6)	50 (15)	25 (12)
	HBLHR3825I	.38 (10)	25 (11)	23 (11)
	HBLHR3850I	.38 (10)	50 (15)	29 (14)

Heavy Duty Hose Reels

Air/Water	Catalog Numbers	Inside Dia. Inch (mm)	Length Feet (Meters)	Weight lbs. (Kg)
	HBLHR3850HD	.38 (10)	50 (15)	47 (22)
	HBLHR3870HD	.38 (10)	70 (22)	50 (23)
	HBLHR5050HD	.50 (15)	50 (15)	51 (24)

Dimensions In (mm)

	A	B	C	D	E
Commercial					
2550C and 3835C	17.88" (448)	16.50" (419)	6.00" (152)	2.25" (57)	5.75" (146)
3850C	17.88" (448)	16.50" (419)	6.00" (152)	2.25" (57)	6.25" (159)
Industrial					
2550I	14.50" (368)	13.50" (343)	9.75" (248)	2.50" (64)	6.00" (152)
3825I	12.88" (327)	12.63" (321)	8.00" (203)	2.50" (64)	5.38" (136)
3850I	17.50" (445)	16.50" (419)	9.75" (248)	2.50" (64)	6.00" (152)
Heavy Duty					
	20.50" (521)	19.00" (483)	7.88" (200)	3.88" (98)	7.00" (178)



Industrial Cord Reels



Industrial Cord Reels are built to provide safe, convenient power and lighting for demanding industrial applications and environments. The industrial reels are all steel construction, have a 300V rating with SJ cord and can be ceiling, wall or bench mounted. They are available with fluorescent or incandescent hand lamps as well as HBL5269C Straight Blade and HBL2313 Twist-Lock® connector bodies or portable outlet box versions.



HBL45123TL20



HBL45123C



HBL45123R



HBL45123TL20



HBL50163IN



HBL50162FL



HBL340PB

Industrial Power Cord Reels

Cord End	Catalog Numbers	NEMA Style	Cable Feet (m)	Volts AC	Cable Type	Amps	Weight lbs. (kg)
HBL5269C Connector.	HBL45123C	5-15R	45 (13.7)	125	12/3 SJEO	15	23 (10.4)
HBL5369C Connector.	HBL45123C20	5-20R	45 (13.7)	125	12/3 SJEO	20	23 (10.4)
Portable Duplex Outlet Box.	HBL45123R	5-15R	45 (13.7)	125	12/3 SJEO	15	29 (13.2)
Portable Duplex Outlet Box.	HBL45123R20	5-20R	45 (13.7)	125	12/3 SJEO	20	29 (13.2)
HBL2313 Connector.	HBL45123TL20	L5-20R	45 (13.7)	125	12/3 SJEO	20	28 (12.9)
HBL2313 Connector (white housing).	HBL45123TL20W	L5-20R	45 (13.7)	125	12/3 SJEO	20	28 (12.9)

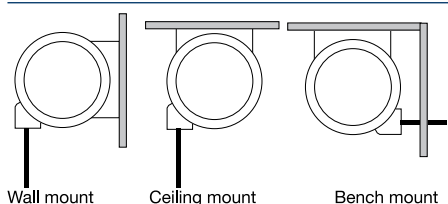
Note: 15 Amp: Supplied with 5 ft. power supply cord with HBL5266C, 15A straight blade plug.
20 Amp: Supplied with 5 ft. power supply cord with HBL5366C, 20A straight blade plug.

Industrial Light Cord Reels

Cord End	Catalog Numbers	Cable Feet (m)	Volts AC	Cable Type	Amps	Weight lbs. (kg)	Watts (max.)
Incandescent Hand Lamp.	HBL50163IN	50 (15.2)	125	16/3	0.8	21 (9.5)	100
Fluorescent Hand Lamp.	HBL50162FL	50 (15.2)	120	16/2	0.3	21 (9.5)	13
Pivot Base.	HBL340PB	330° Rotation - fits all industrial models			—	5 (2.26)	—

Note: Supplied with 5 ft. power supply cord with HBL5266C, 15A straight blade plug.

Three Mounting Positions



Dimensions

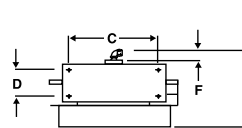
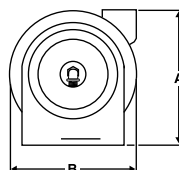
In (mm)	A	B	C	D	E	F
	13.00"	12.38"	8.00"	2.50"	9.75"	1.25"
	(330)	(321)	(203)	(64)	(246.4)	(32)

Listings/Certifications

UL 355
CSA C22.2 No. 21.

Operation

Dry, indoor, non-hazardous locations.



All models have four 5/16" diameter mounting holes.

Weatherproof and Static Discharge Reels



Weatherproof Cable Reels are made for the most abusive and demanding environments. These reels feature a solid steel construction, a 600V rating with SOW - A type cable and Type 4X enclosure rating. They are designed for use with 15 & 20 amp industrial products such as portable outlet boxes, Insulgrip® and Twist-Lock® devices and pendant push-button stations. Static Discharge Reels ground portable equipment operating in hazardous environments. When properly clamped to ground, the static discharge reel will prevent the build up of static electricity and reduce the chance of sparking which could cause an explosion.



HBL501242W



HBL50SD



HBL14PB

Weatherproof Cable & Static Discharge Reels

Description	Catalog Numbers	Cable Feet (m)	Volts AC	Cable Type	Amps	Weight lbs. (kg)
14" weatherproof reel.	HBL501431W*	50 (15.2)	600	14/3 SOW-A	15	55 (24)
16" weatherproof reel.	HBL501232W*	50 (15.2)	600	12/3 SOW-A	20	80 (36.3)
16" weatherproof reel.	HBL501242W*	50 (15.2)	600	12/4 SOW-A	16	86 (38.7)
16" weatherproof reel.	HBL501032W*	50 (15.2)	600	10/3 SOW-A	25	86 (38.7)
16" weatherproof reel.	HBL501042W*	50 (15.2)	600	10/4 SOW-A	20	92 (41.1)
Static discharge reel.	HBL50SD**	50 (15.2)	-	Single 3/32" Steel	-	12 (5.4)
Static discharge reel.	HBL50YSD	50 (15.2)***	-	Dual (Y) 3/32" Steel	-	13 (5.9)
14" pivot base.	HBL14PB	-	-	-	-	5 (2.27)
16" pivot base.	HBL16PB	-	-	-	-	13 (5.9)

Notes: * All weatherproof cable reels are supplied with wire leads.

** Steel cable is nylon coated.

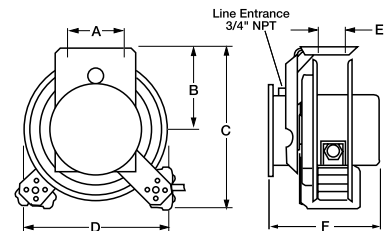
*** 35 ft./10.6 m + Dual 15 ft./4.5m for "Y".
Power supply cable not supplied.

Weatherproof Cable Reels Specifications

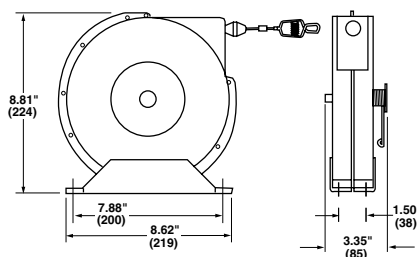
Listings/ Certifications	UL 355 and CSA, C22.2 No. 21. Type 4X enclosure, CAN/CSA - C22.2 No. 21.
Operation	Dry indoor & wet and damp outdoor non-hazardous location.

Dimensions

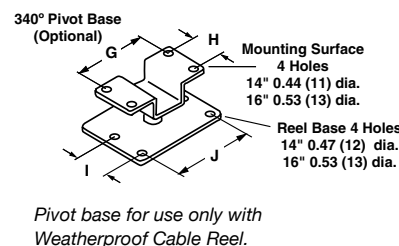
Weatherproof Reel In (mm)	A	B	C	D	E	F	G	H	I	J
14" reel	6.50" (165)	8.12" (206)	16.25" (413)	13.75" (349)	3.00" (76)	12.19" (310)	3.00" (76)	3.00" (76)	3.00" (76)	6.50" (165)
16" reel	6.50" (165)	9.12" (232)	18.25" (464)	15.75" (399)	3.00" (76)	14.19" (360)	6.00" (152)	6.00" (152)	4.94" (125.5)	6.50" (165)



Static Discharge Reel



Pivot Base



Commercial Cord Reels



Commercial Cord Reels are designed for the less demanding requirements of commercial and light industrial environments. The commercial reels feature steel construction and have a 125V rating with SJT type cord. These reels are UL Listed and provide power and lighting for all your needs.



HBLC40123TT



HBLC25163



HBLC25163C



HBLC25143IN



HBLC40182AFL



HBLC40163FL

Commercial Cord Reels

Description	Catalog Numbers	Cable Feet (Meters)	Volts AC	Cable Type	Amps	Weight lbs. (kg)	Watts (Max)
Reel with triple tap outlet, yellow.	HBLC40123TT	40 (12.20)	125	12/3 SJTW	15	9 (4.1)	1200
Reel with wire leads, yellow.	HBLC25163	25 (7.62)	125	16/3 SJT	10	8.5 (3.9)	1250
Reel with a Hubbell HBL5969VBLK connector, yellow.	HBLC25163C	25 (7.62)	125	16/3 SJT	10	8.5 (3.9)	1250
Reel with non-metallic incandescent hand lamp & automatic shut off switch, yellow.	HBLC25163AIN	25 (7.62)	125	16/3 SJT	0.6	9 (4.1)	75
Reel with metallic incandescent hand lamp with receptacle, yellow.	HBLC25143IN	25 (7.62)	125	14/3 SJT	13	9.5 (4.3)	1625
Reel with fluorescent hand lamp & inline receptacle, white.	HBLC40163FL	40 (12.20)	120	16/3 SJT	10	9 (4.1)	1200
Reel with fluorescent hand lamp & automatic shut off switch, white.	HBLC40182AFL	40 (12.20)	120	18/2 SJTOW	0.3	8.2 (3.7)	13

NEW!

NEW!

NEW!

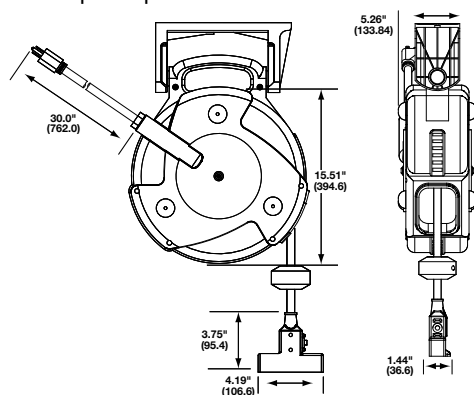
Note: Reels supplied with 2 ft. power supply cord and molded on straight blade 15A plug.

Specifications

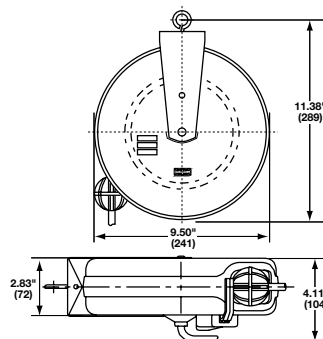
Listings/ Certifications	UL 355.
Operation	Dry, indoor, non-hazardous locations.
Incandescent Lamp	75 watt max., auto switch, no receptacle; 100 watt max. bulb, with receptacle.
Fluorescent Lamp	10A/1200W max with in-line receptacle; 13 watt without receptacle.

Dimensions

Triple Tap



All Other Commercial excluding Triple Tap





Safety. Efficiency. Durability.



Fire Stations



Automotive Service



High School Auto Shops



Labs



Industrial



Vocational Schools



Retail



Municipality



Airports



Universities



Maintenance



Outdoor



Warehouse



Wiring Device-Kellems