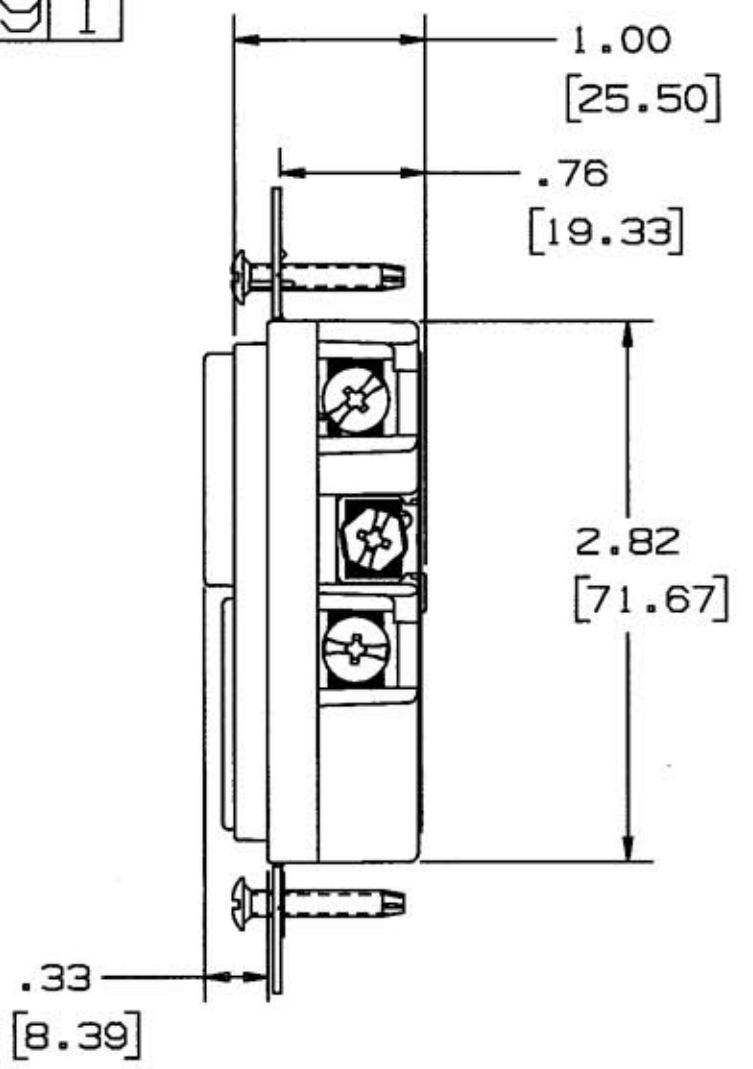
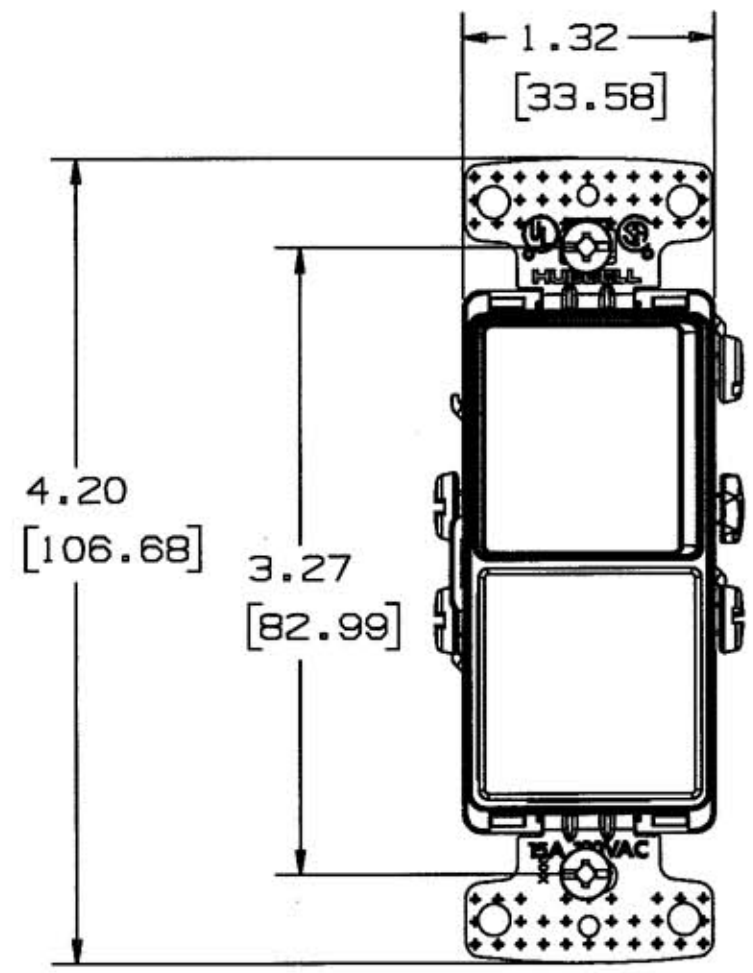


M-9929 1



LIST OF PARTS		
DESCRIPTION	MATERIAL	FINISH
BRIDGE	STEEL	ZINC
BASE	PLASTIC	
COVER	PLASTIC	
ROCKER BUTTON	PLASTIC	
DRIVE SCREW	STEEL	ZINC
TERMINAL	BRASS	
GROUNDING SPRING	SS	
SPRING HOUSING	PLASTIC	
WASHER	PLASTIC	
MOUNTING SCREW	STEEL	ZINC
SWITCH CONTACTS	SILVER	
ROCKER CONTACT	BRASS	
SPRING	STEEL	
LIGHT COVER	PC	

DIMENSION SHEET FOR CAT. NO. SEE TABLE

REPAIRABLE NON-REPAIRABLE

CAT #	COLOR	STYLE
RCD109	BROWN	SP/LIGHT (SEE NOTE 1)
RCD109I	IVORY	
RCD109W	WHITE	
RCD109GY	GRAY	
RCD109BK	BLACK	
RCD109AL	ALMOND	
RCD109LA	LIGHT ALMOND	
RCD309	BROWN	3W/LIGHT (SEE NOTE 1)
RCD309I	IVORY	
RCD309W	WHITE	
RCD309GY	GRAY	
RCD309BK	BLACK	
RCD309AL	ALMOND	
RCD309LA	LIGHT ALMOND	

1	RELEASED TO PRODUCTION PER DCN 13440	FJ	10/6/06
SYM	REVISIONS	APP	DATE

THE DESIGN AND DIMENSIONS OF THE PRODUCT SHOWN ON THIS DRAWING ARE SUBJECT TO CHANGE WITHOUT NOTICE

TITLE
15A COMBINATION DECORATOR SWITCH/LIGHT

TOLERANCES UNLESS OTHERWISE SPECIFIED FRACTIONS ± 1/64 DECIMALS ± .005 ANGLES ± 2°	WIRING DEVICE-KELLEMS HUBBELL INCORPORATED BRIDGEPORT, CT	
	DR. BY MPF	APP. BY FJ
	TR. BY	SCALE 1/1
	CHK'D BY FJ	DATE 10/3/05

B

M-9929

1

NOTES:
1. DIMENSIONS ARE IN INCHES [MM].