



PROAIR
AIR CONDITIONER
CR29 MODEL

INSTRUCTION MANUAL

DESIGN WITH CONFIDENCE

TABLE OF CONTENTS

Warranty and Return Policy.....	2
RECEIVING THE AIR CONDITIONER	3
HANDLING AND TESTING THE AIR CONDITIONER	3
INSTALLATION INSTRUCTIONS	4
SYSTEM CONTROLS	4
Level I Temperature Controller.....	4
Level II and III Temperature Controller.....	4
TECHNICAL INFORMATION.....	5
DESIGN DATA.....	5
DIMENSION DRAWING.....	5
CR29 Models 2700-4000 BTU/Hr. (791-1172 Watt).....	5
Mounting Gasket Kit	6
Design Notes	6
Mounting Cutout Dimensions.....	6
Components List.....	7
Parts List.....	7
Wire Diagrams and schematics	8
Wire Diagram, Level 1, 2000 BTU	8
Schematic, Level 1, 2000 BTU	8
Wire Diagram, 115V, Level 1, 4000 BTU	9
Schematic, 115V, Level 1, 4000 BTU.....	9
Wire Diagram, 230V, Level 1, 4000 BTU	10
Schematic, 230V, Level 1, 4000 BTU.....	10
Wire Diagram, Level II and III, 2000 BTU.....	11
Schematic, Level II and III, 2000 BTU	12
Wire Diagram, 115 V Level II and III, 4000 BTU.....	13
Schematic, 115 V Level II and III, 4000 BTU	13
Wire Diagram, 230 V Level II and III, 4000 BTU	14
Schematic, 230 V Level II and III, 4000 BTU	14
TEMPERATURE CONTROL	15
PRINCIPLES OF OPERATION	15
MAINTENANCE	15
Compressor	15
Inlet Air Filter.....	15
How To Remove, Clean or Install a New Inlet Air Filter	16
Condenser and Evaporator Air Movers.....	16
Refrigerant Loss	16
TROUBLE SHOOTING.....	18
Basic Air Conditioning Trouble Shooting Check List.....	18
Symptoms and Possible Causes:.....	19

WARRANTY AND RETURN POLICY

Visit www.pentairprotect.com/en/hoffman/warranty-information for Product warranty and return policy.

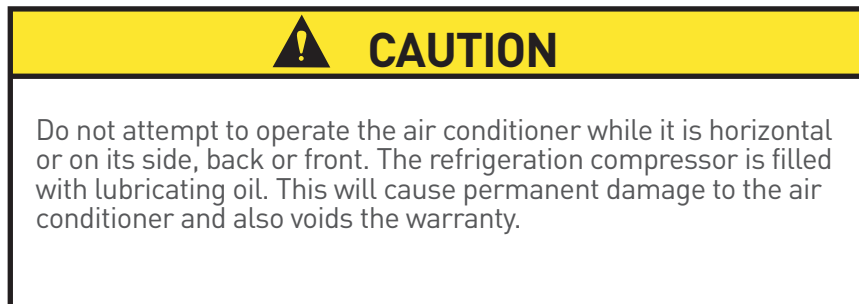
RECEIVING THE AIR CONDITIONER

Inspect the air conditioner. Check for concealed damage that may have occurred during shipment. Look for dents, scratches, loose assemblies, evidence of oil, etc. Damage evident upon receipt should be noted on the freight bill. Damage should be brought to the attention of the delivering carrier -- NOT to Pentair Equipment Protection -- within 15 days of delivery. Save the carton and packing material and request an inspection. Then file a claim with the delivering carrier.

Pentair Equipment Protection cannot accept responsibility for freight damages; however, we will assist you in any way possible.

HANDLING AND TESTING THE AIR CONDITIONER

If the air conditioner has been in a horizontal position, be certain it is placed in an upright, vertical or mounting position for a minimum of five (5) minutes before operating.



TEST FOR FUNCTIONALITY BEFORE MOUNTING THE AIR CONDITIONER TO THE ENCLOSURE.

Refer to the nameplate for proper electrical current requirements, and then connect the power cord to a properly grounded power supply. Minimum circuit ampacity should be at least 125% of the amperage shown in the design data section for the appropriate model. No other equipment should be connected to this circuit to prevent overloading.

Operate the air conditioner for five (5) to ten (10) minutes. No excessive noise or vibration should be evident during this run period. The condenser blower (ambient air), the evaporator blower (enclosure air), and the compressor should be running.

Condenser air temperatures should be warmer than normal room temperatures within a few minutes.

The compressor is provided with automatic reset thermal overload protection. This thermo-switch is located and mounted inside the plastic enclosure clipped to the compressor. The switch operates when the compressor overheats due to clogged or dirty inlet air filter or if ambient air temperatures exceed nameplate rating or if enclosure dissipated heat loads exceed the rated capacity of the air conditioner. The thermal overload switch will actuate and stop compressor operation. The blowers will continue to operate and the compressor will restart after it has cooled to within the thermal overload cut-in temperature setting.

INSTALLATION INSTRUCTIONS

1. Inspect air conditioner and verify functionality before mounting the air conditioner, see HANDLING AND TESTING THE AIR CONDITIONER on page 3.
2. Using the cutout dimensions shown in this manual, prepare the air “IN” and air “OUT” openings, and mounting bolt hole pattern for the enclosure.
3. Using the gasket kit provided, install gaskets to air conditioner. See Mounting Gasket Kit on page 6 for proper location.
4. Mount air conditioner on enclosure using mounting bolts and washers provided to secure unit to enclosure. Allow unit to remain upright for a minimum of five (5) minutes before starting. Caution! Air conditioner must be in upright position during operation.
5. Refer to the top of the nameplate for electrical requirements. Connect the power cord to a properly grounded power supply. Use of an extension cord is not recommended. Electrical circuit should be fused with slow blow or HACR circuit breaker.
6. When the unit is equipped with an automatic temperature controller, the controller is preset at the factory for your convenience and should not require adjustment.

SYSTEM CONTROLS

LEVEL I TEMPERATURE CONTROLLER

The Level I controller is located inside the air conditioner. To adjust, disconnect power to the air conditioner and open the front panel by loosening the front panel screw. Refer to Figure 2 on page 7 to locate the controller. Turn the controller adjustment screw slot counter-clockwise to increase and clockwise to decrease the temperature set point, see Figure 1. The thermostat cooling set point is indicated by the alignment of the adjustment screw slot with the dial decal. After completing adjustment, close the front panel and tighten the front panel screw. Restore power to the air conditioner for operation.

LEVEL II AND III TEMPERATURE CONTROLLER

The Level II and III controller mounted on the air conditioner front panel is factory set for standard operation. All operating parameters are programmable for custom applications. Refer to the Level II and III programming and Operating Instruction Manual, 10-1008-161.

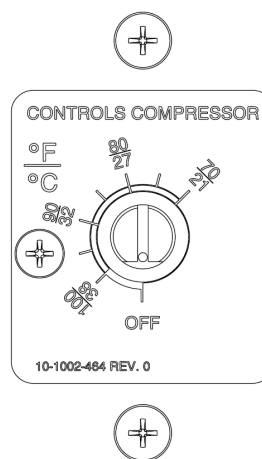


Figure 1
Level I control

TECHNICAL INFORMATION

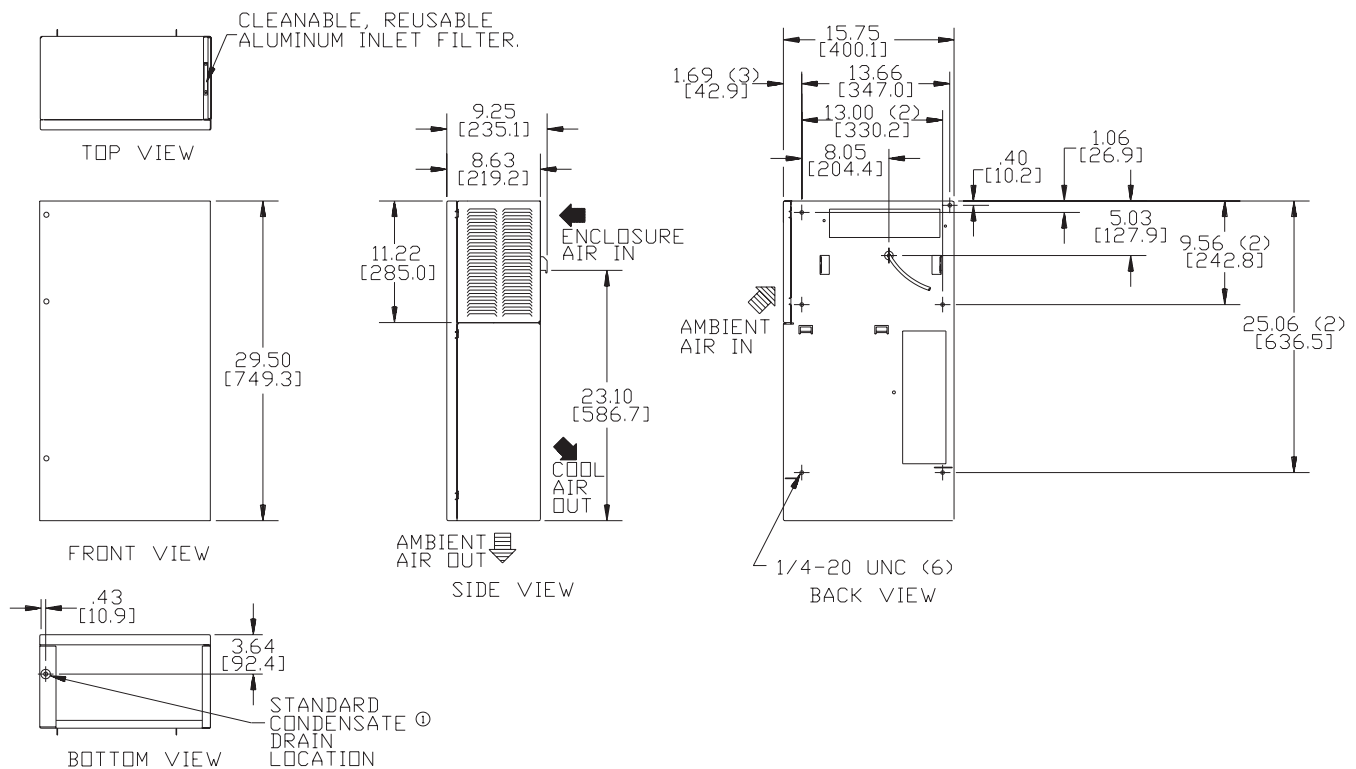
DESIGN DATA

Model	Voltage	Hz	Phase	BTU/Hr @ 131 F/131 F	Amps @ 131 F/131 F	BTU/Hr @ 95 F/95 F	Amps @ 95 F/95 F	Max Amb Temp °F/°C	Shipping Weight lb./kg
CR290216GXXX	115	50/60	1	2600/3000	9.2/7.8	1900/2400	9.0/6.9	131/55	98/44
CR290226GXXX	230	50/60	1	2600/2700	3.7/3.6	2200/2700	3.4/3.1	131/55	98/44
CR290416GXXX	115	50/60	1	3500/4000	12.7/12.1	2400/2800	11.9/9.4	131/55	118/54
CR290426GXXX	230	50/60	1	3500/4000	4.7/4.9	2400/2800	4.1/4.2	131/55	118/54

-XXX will be replaced with a three-digit number designating all desired options. Consult the factory for specific model numbers.

DIMENSION DRAWING

CR29 MODELS 2700-4000 BTU/HR. (791-1172 WATT)

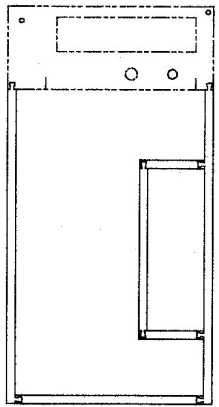


MOUNTING GASKET KIT

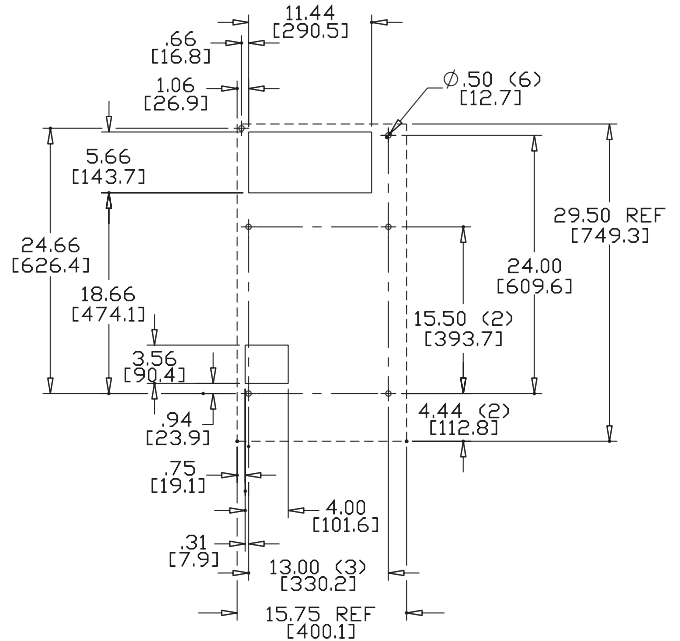
DESIGN NOTES

1. Gasket kit included. Apply gasket to rear of air conditioner before mounting on enclosure.
2. Service cord terminated with appropriate plug cap.
3. Millimeter dimensions [] are for reference only; do not convert to inch dimensions.
4. Allow at least 4 inch inlet and 6 inch outlet clearance for proper ambient air flow. Allow 20 inch above filter for removal.

Mounting gasket kit part no. 29-4100-02 as applied to rear of CR29.



MOUNTING CUTOUT DIMENSIONS



Cutout Instructions

NOTE:

1. DASHED LINES REPRESENT OUTSIDE OF AIR CONDITIONER

COMPONENTS LIST

Part Description	115 Volt 2700	115 Volt 4000	230 Volt 3000	230 Volt 4000
Blower, Condenser	29-4121-10	29-4121-10	29-4120-10	29-4120-10
Blower, Evaporator	29-4121-10	29-4121-10	29-4120-10	29-4120-10
Capacitor, Compressor, Start	89111993	N/A	89117017	89104095
Compressor	89108747	89100365	89108748	89104088
Thermal Overload, Compressor	89111994	N/A	89111997	89112198
Filter, Air, Reusable	10-1000-32	10-1000-32	10-1000-32	10-1000-32
Thermostat, SPST, 55-100F	10-1061-16	10-1061-16	10-1061-16	10-1061-16
Mounting Gasket Kit	29-4100-02	29-4100-02	29-4100-02	29-4100-02
Relay, Compressor, Start	89111992	N/A	89111995	89104096
Power Cord	Consult factory	Consult factory	Consult factory	Consult factory
Capacitor, Compressor, Run	N/A	N/A	N/A	89104097

PARTS LIST

Part	Description	Part No.
1	Condenser Coil	29-4101-00
2	Filter, drier, refrigerant	52-6028-00
3	Compressor	See Components List
4	Hot Gas bypass valve (CR29-04xx units only)	89100261
5	Evaporator coil	29-4102-00
6	Inlet air filter, reusable aluminum	10-1000-32
7	Blower (115V) Blower (230V)	29-4121-10 29-4120-10
8	Compressor thermal overload switch	See Components List
9	Capacitor, compressor, start (CR290426 and CR290446 units only)	See Components List
10	Capacitor, compressor (CR2902XX and CR290416GXXX units only)	See Components List
11	Terminal block	086912
12	Power cord	Consult Factory
13	Temperature controller	Consult Factory
14	Relay, compressor, start (CR290426 and CR290446 units only)	See Components List
15	Relay, compressor (CR2902XX and CR290416GXXX units only)	See Components List
16	Mounting gasket kit	29-4100-02
17	Capacitor, Compressor, Run	See Components List

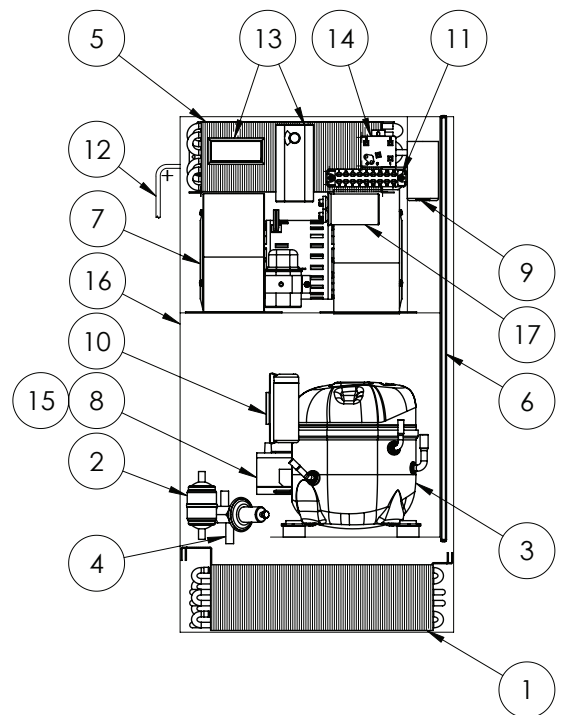
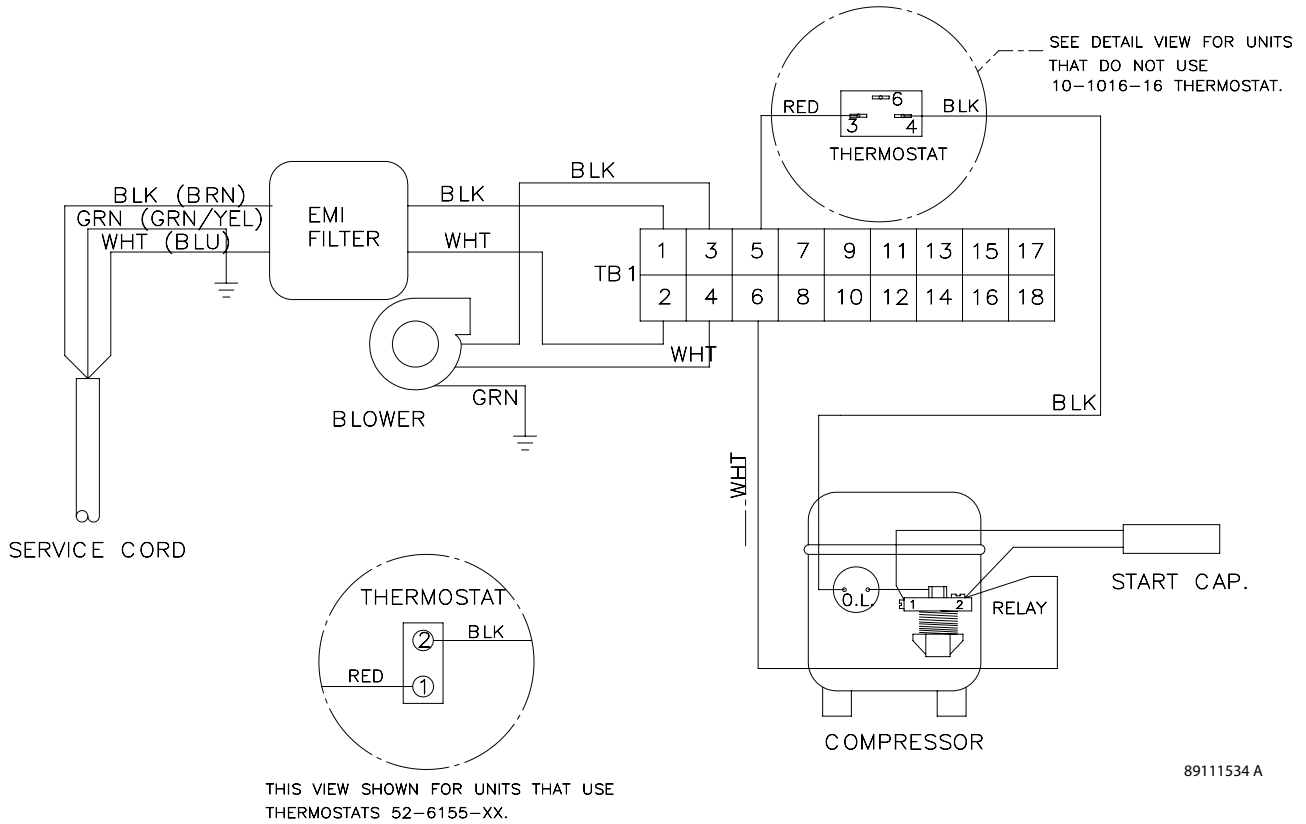


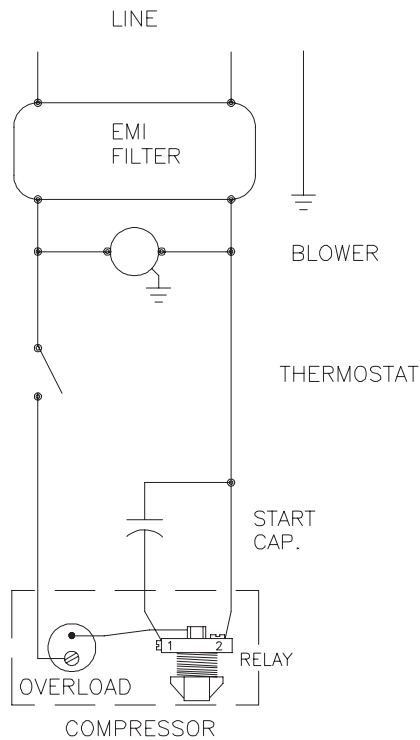
Figure 2

WIRE DIAGRAMS AND SCHEMATICS

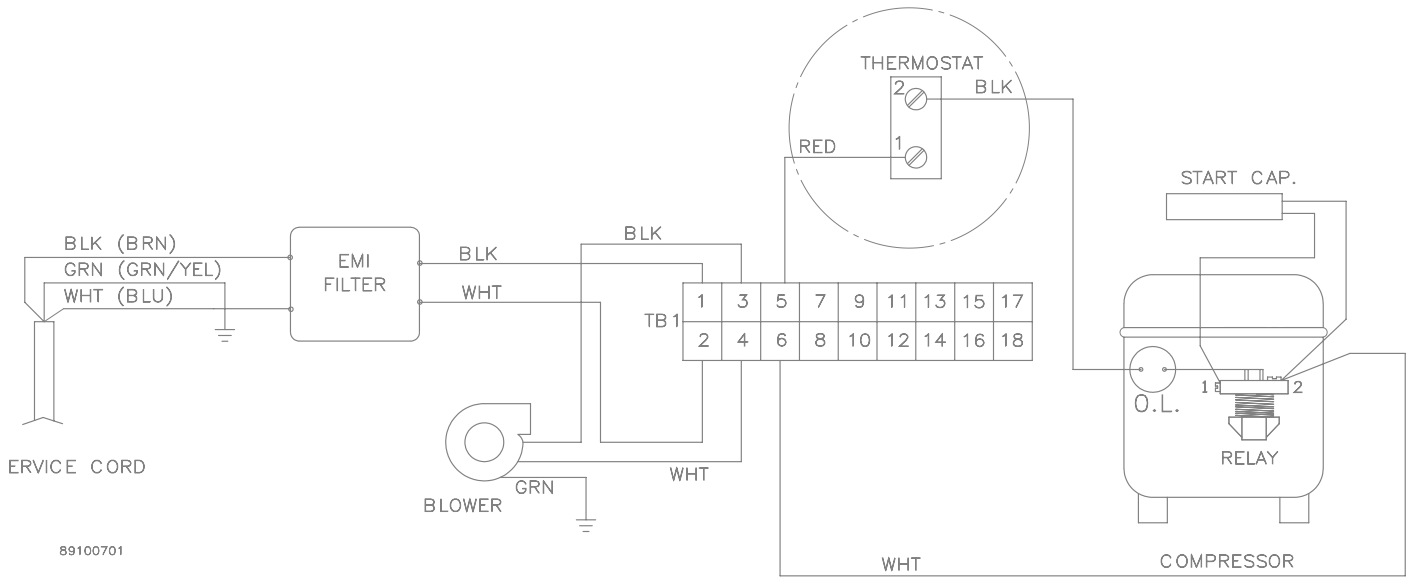
WIRE DIAGRAM, LEVEL 1, 2000 BTU



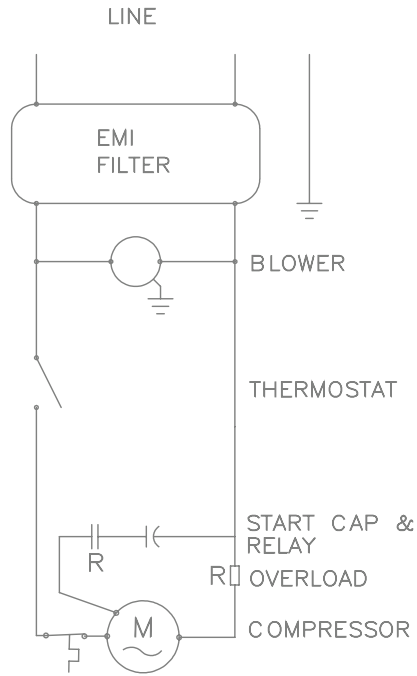
SCHEMATIC, LEVEL 1, 2000 BTU



WIRE DIAGRAM, 115V, LEVEL 1, 4000 BTU



SCHEMATIC, 115V, LEVEL 1, 4000 BTU

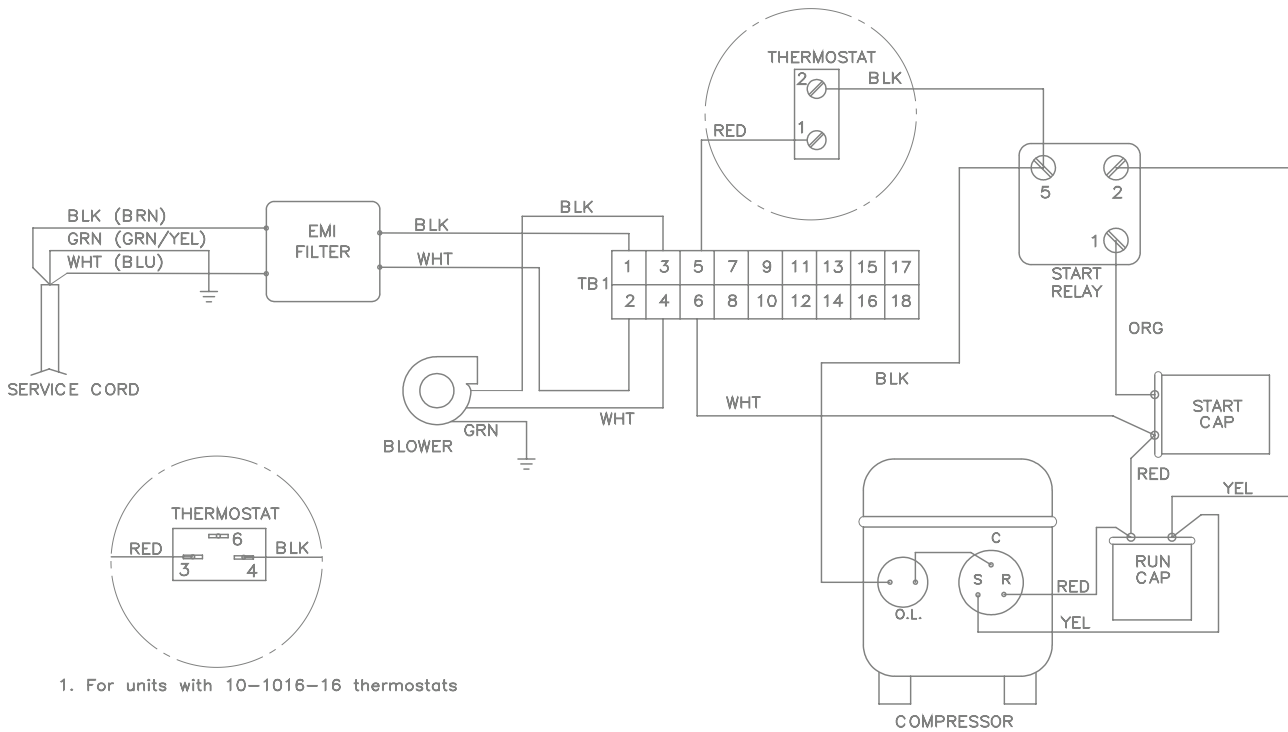


ELECTRICAL SCHEMATIC

89100890

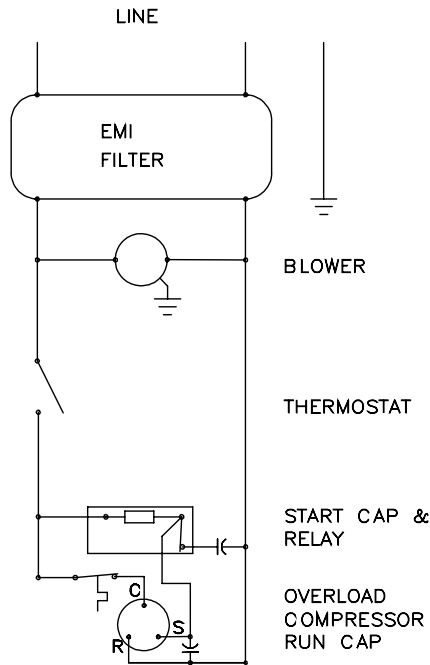
NOTE: For voltage, hertz, and options not shown in this manual, refer to the wiring diagram attached to the unit.

WIRE DIAGRAM, 230V, LEVEL 1, 4000 BTU



WIRING DIAGRAM
89111007 REV B

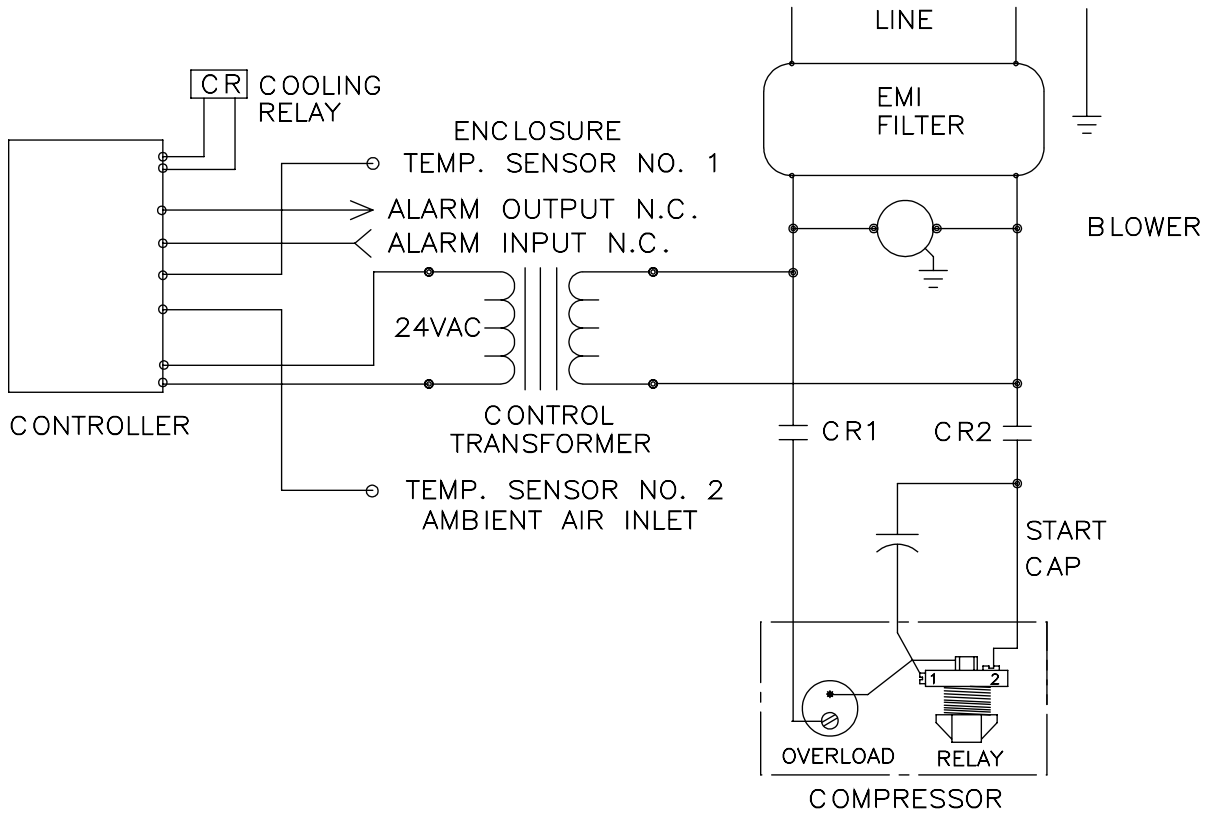
SCHEMATIC, 230V, LEVEL 1, 4000 BTU



ELECTRICAL SCHEMATIC
89110993 REV A

NOTE: For voltage, hertz, and options not shown in this manual, refer to the wiring diagram attached to the unit.

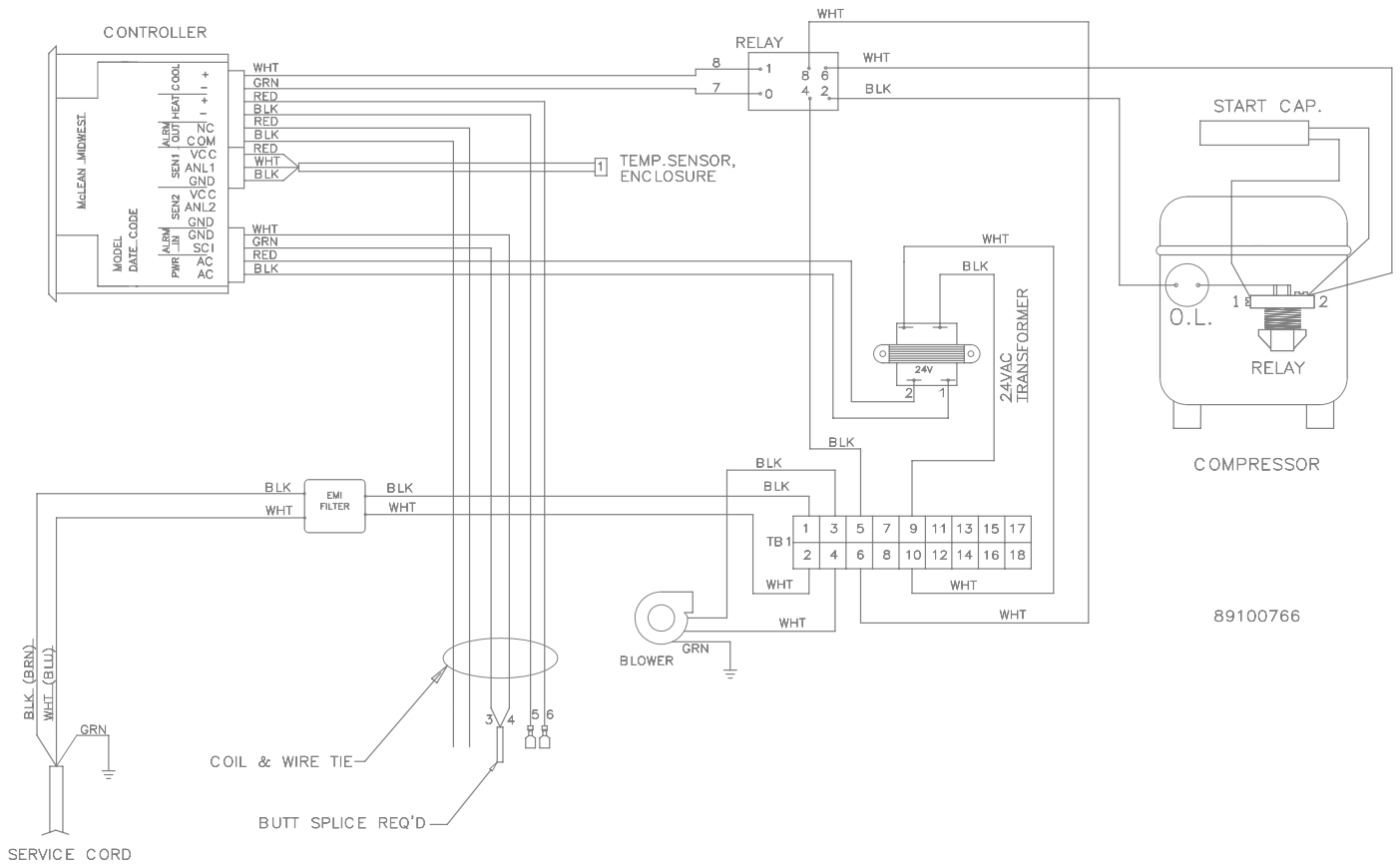
SCHEMATIC, LEVEL II AND III, 2000 BTU



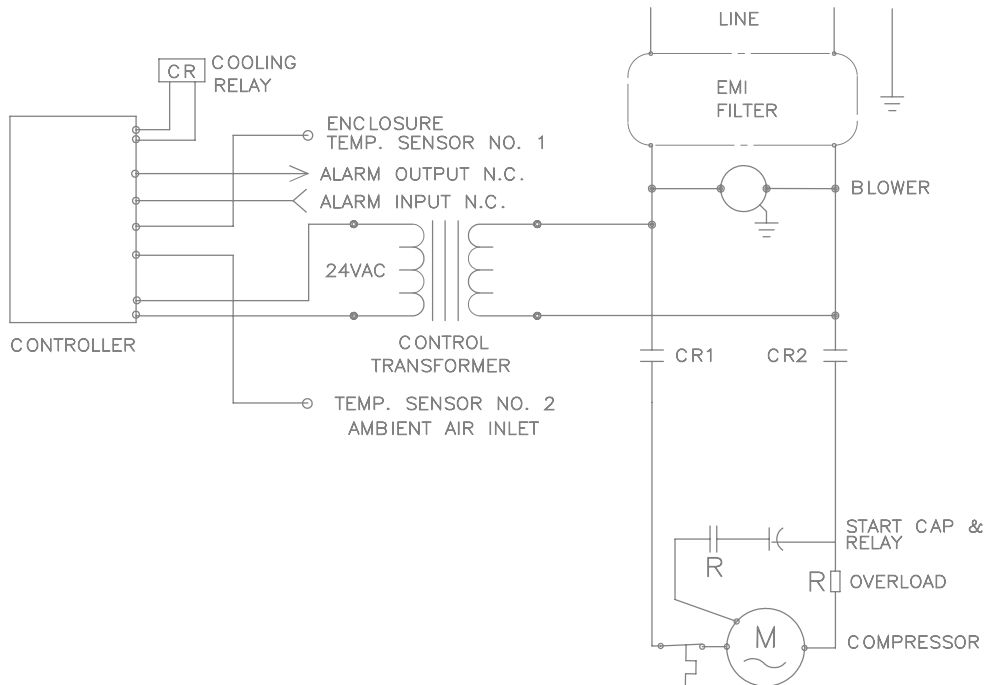
ELECTRICAL SCHEMATIC

89111557 REV. A

WIRE DIAGRAM, 115 VLEVEL II AND III, 4000 BTU



SCHEMATIC, 115 V LEVEL II AND III, 4000 BTU

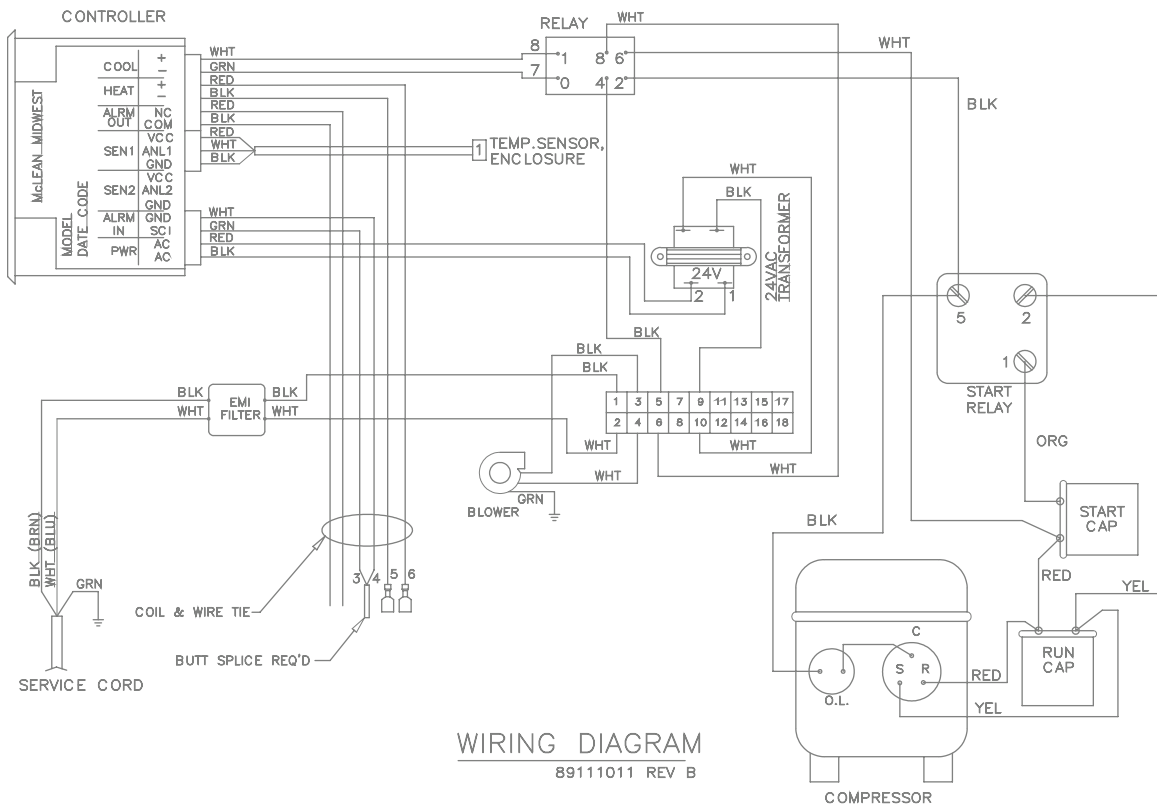


ELECTRICAL SCHEMATIC

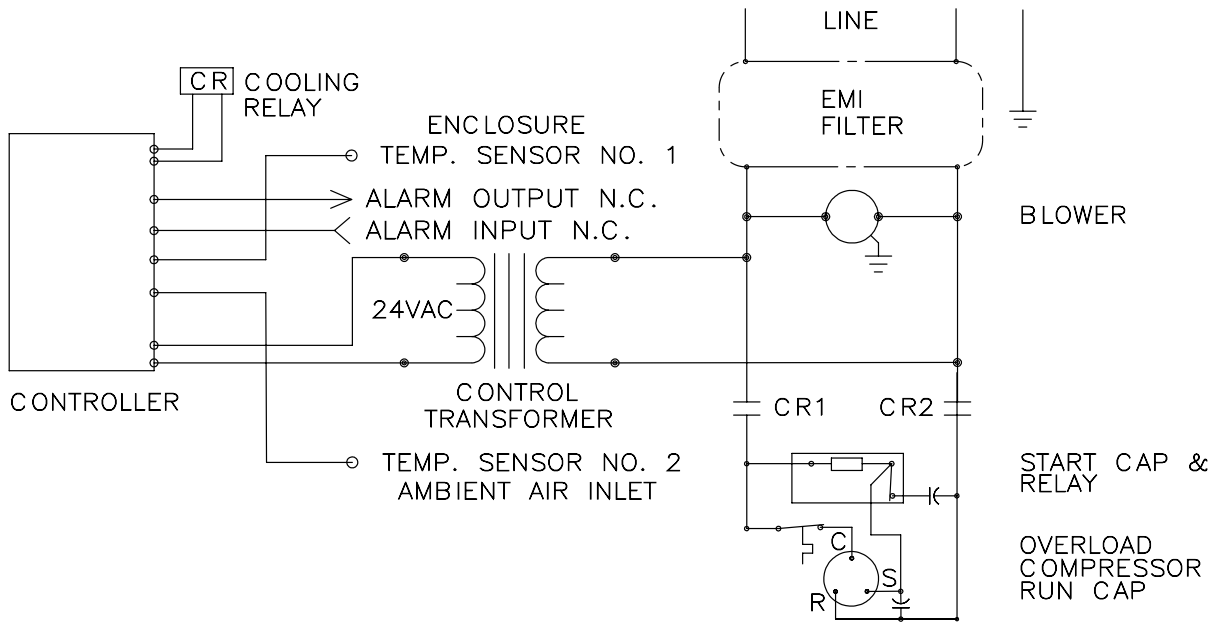
89100896

NOTE: For voltage, hertz, and options not shown in this manual, refer to the wiring diagram attached to the unit.

WIRE DIAGRAM, 230 V LEVEL II AND III, 4000 BTU



SCHEMATIC, 230 V LEVEL II AND III, 4000 BTU



NOTE: For voltage, hertz, and options not shown in this manual, refer to the wiring diagram attached to the unit.

TEMPERATURE CONTROL

The electromechanical thermostat is factory preset to 75 F/23 C. To change the temperature setting, refer to SYSTEM CONTROLS on page 4.

PRINCIPLES OF OPERATION

If electrical power to the air conditioner is interrupted and reapplied immediately (within 3 to 5 seconds), the compressor may not restart due to the high back pressure of the compressor. It takes a minimum of one (1) minute after shut-down for the compressor suction and discharge pressures to equalize in order for the air conditioner to restart.

Operating the air conditioner below the minimum ambient temperature or above the maximum ambient temperatures indicated on the nameplate voids all warranties.

It is recommended that the warranty section of this manual be read in order to familiarize yourself with parameters of restricted operation.

The moisture that the enclosure air can contain is limited. If moisture flows from the drain tube continuously this can only mean that ambient air is entering the enclosure. Be aware that frequent opening of the enclosure's door admits humid air which the air conditioner must then dehumidify.

MAINTENANCE

COMPRESSOR

The compressor requires no maintenance. It is hermetically sealed, properly lubricated at the factory and should provide years of satisfactory operating service.

Should the refrigerant charge be lost, recharging ports (access fittings) on the suction and discharge sides of the compressor are provided for recharging and/or checking suction and discharge pressures.

Under no circumstances should the access fitting covers be loosened, removed or tampered with.

Breaking of seals on compressor access fittings during warranty period will void warranty on hermetic system.

Recharging ports are provided for the ease and convenience of reputable refrigeration repair service personnel for recharging the air conditioner.

INLET AIR FILTER

Proper maintenance of the inlet air filter, located behind the front cover, will assure normal operation of the air conditioner. If filter maintenance is delayed or ignored, the maximum ambient temperatures under which the unit is designed to operate will be decreased.

If the compressor's operating temperature increases above designed conditions due to a dirty or clogged filter (or plugged condenser coil), the air conditioner's compressor will stop operating due to actuation of the thermal overload cut-out switch located on the compressor housing. As soon as the compressor temperature has dropped to within the switch's cut-in setting, the compressor will restart automatically. However the above condition will continue to take place until the filter or coil has been cleaned. It is recommended that power to the air conditioner be interrupted intentionally when abnormally high compressor operating temperature causes automatic shut-down of the unit.

The above described shut-down is symptomatic of a clogged or dirty filter, thus causing a reduction in cooling air flow across the surface of the compressor and condenser coil.

Do not run the air conditioner for extended periods of time with the filter removed. Particles of dust, lint, etc., can plug the fins of the condenser coil which will give the same reaction as a plugged filter. The condenser coil is not visible through the filter opening, so protect it with a filter.

Continued operation under the above conditions can and will damage and shorten compressor life. The air conditioner is available with an easily removable inlet filter to facilitate necessary cleaning. There should be no reason to neglect this necessary maintenance.

HOW TO REMOVE, CLEAN OR INSTALL A NEW INLET AIR FILTER

RP aluminum washable air filters are designed to provide excellent filtering efficiency with a high dust holding capacity and a minimum amount of resistance to air flow. Since they are constructed entirely of aluminum, they are lightweight and easy to service. Optimum filter performance is maintained by recoating the filters after washing with RP Super Filter Coat adhesive. To achieve maximum performance from your air handling equipment, air filters should be cleaned on a regular basis.

The inlet air filter is located behind the right side panel. To access the filter, pull from slot on top cover. The filter may now be cleaned or a new filter installed.


Cleaning Instructions:

1. Flush the filter with warm water from the exhaust side to the intake side. **DO NOT USE CAUSTICS.**
2. After flushing, allow filter to drain. Placing it with a corner down will assure complete drainage.
3. Recoat the filters with RP Super Filter Coat adhesive. When spraying filter do so from both sides for maximum concentration of adhesive.

CONDENSER AND EVAPORATOR AIR MOVERS

Blower motor requires no maintenance. All bearings, shafts, etc. are lubricated for the life of the motor during manufacturing.

If one of the condenser impeller motors (ambient impellers) should fail, it is not necessary to remove the air conditioner from the cabinet or enclosure to replace the blower. The condenser blower is mounted on its own bulkhead and is easily accessible by removing the front cover.

 CAUTION
Operation of the air conditioner in areas containing airborne caustics or chemicals can rapidly deteriorate filters, condenser coils, blowers and motors, etc. Contact Pentair Equipment Protection for special recommendations.

REFRIGERANT LOSS

Each air conditioner is thoroughly tested prior to leaving the factory to insure against refrigeration leaks. Shipping damage or microscopic leaks not found with sensitive electronic refrigerant leak detection equipment during manufacture may require repair or recharging of the system. This work should only be performed by qualified professionals, generally available through a local, reputable air conditioning repair or service company.

Refer to the data on the nameplate which specifies the type of refrigerant and the charge size in ounces.

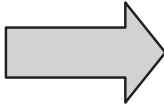
Before recharging, make sure there are no leaks and that the system has been properly evacuated into a deep vacuum.

NOTES

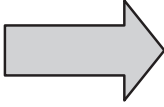
TROUBLE SHOOTING

BASIC AIR CONDITIONING TROUBLE SHOOTING CHECK LIST

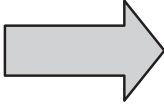
1. Check manufacturer's nameplate located on the unit for correct power supply.
2. Turn on power to the unit. The evaporator (Enclosure or "COLD" air) blower should come on. Is there airflow?

YES, proceed to step 3.
NO, possible problem: <ul style="list-style-type: none">• Open motor winding• Stuck blower motor• Obstructed wheels/blades

Repair or Replace defective part

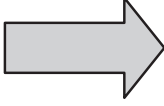
3. Check thermostat setting and adjust thermostat to the lowest setting. This should turn on the condenser blower and compressor. Did condenser blower and compressor come on when the thermostat was turned on?

YES, proceed to step 4.
NO, possible problem: <ul style="list-style-type: none">• Defective thermostat

Replace part

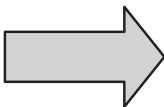
4. Are both blowers and the compressor running? If not, the unit will not cool properly.
5. Check condenser (Ambient or "HOT" air) blower for airflow. Is there airflow?

YES, proceed to step 6.
NO, possible problem: <ul style="list-style-type: none">• Defective thermostat• Open motor winding• Stuck blower motor• Obstructed wheels/blades

Repair or Replace defective part

6. Carefully check the compressor for operation - motor should cause slight vibration, and the outer case of the compressor should be warm. Is the compressor showing signs of this?

YES, wait 5 minutes, then proceed to step 7.
NO, possible problem: <ul style="list-style-type: none">• Defective thermostat• Defective capacitor• Defective overload• Defective relay

Repair or Replace defective part

7. Make sure the coils are clean. Then check evaporator "air in" and "air out" temperatures. If the temperatures are the same:

<ul style="list-style-type: none">• Possible loss of refrigerant• Possible bad valves in the compressor

Repair or Replace defective part

8. To check for a bad thermostat, turn power off to the unit. Remove control box cover and place both thermostat wires onto one terminal (replace control box cover for safety). This will bypass the switch in the thermostat. Turn on the power. If both blowers and the compressor come on, the thermostat needs to be replaced.

SYMPTOMS AND POSSIBLE CAUSES:

SYMPTOM	POSSIBLE CAUSE
Unit won't cool	Blower not running
	Compressor not running
	Compressor runs, but has bad valves
	Loss of refrigerant
Compressor tries to start but won't run	Low line voltage at start. Should be +/-10% rated voltage.
	Compressor motor stuck
	Bad relay
	Bad overload switch
	Bad run/start capacitor
Unit blows breakers	Undersized breaker/fuse or not time delayed
	Short in system
Getting water in enclosure	Drain plugged
	Drain tube kinked
	Enclosure not sealed (allowing humidity in)

For additional technical support (amp draw, pressures, temperatures), contact Pentair Equipment Protection at 800-896-2665.



Pentair Electrical
2100 Hoffman Way
Anoka, MN 55303 USA
☎ +1.763.422.2211
📠 +1.763.576.3200

PentairProtect.com