

# SINGLE-GANG BOXES



## APPLICATIONS

For use in branch circuit wiring in wet, damp, or dry locations. May be used as a weatherproof junction box, or as a housing for receptacles, switches, and GFCI's.

## PRODUCT FEATURES

- Reinforced connector outlets
- State-of-the-art powder coat finish
- Eight box mounting options with detachable lugs provided
- Two closure plugs included
- Ground screw installed
- Multi-lingual instructions in each package
- Internal threads on hubs comply with NEMA requirements. Hubs accept all threaded fittings and threaded conduit
- die cast aluminum construction

## COMPLIANCES

-  – Standard 514A
-  – C22.2 No. 18
- NEMA 3R Rated



5320-0 to  
5320-2,  
5324-0

5321-0 to  
5321-2,  
5330-0

5322-0,  
5331-0

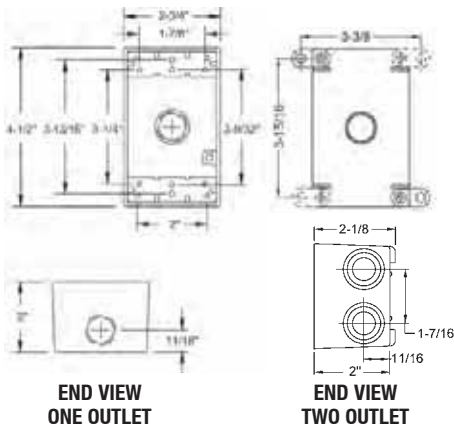
5323-0,  
5332-0

5385-0 to  
5387-0

CATALOGUE NUMBER	CUBIC IN.	DESCRIPTION		PKG. TYPE	STD. PKG.
		COLOUR	OUTLETS		
<b>2" Deep, With Lugs – Three Threaded Outlets – 4-1/2" x 2-3/4"</b>					
5320-0	18.3	Gray	3-1/2"	Shrink	20
5320-1	18.3	White	3-1/2"	Shrink	20
5320-2	18.3	Bronze	3-1/2"	Shrink	20
5324-0	18.3	Gray	3-3/4"	Shrink	20

CATALOGUE NUMBER	CUBIC IN.	DESCRIPTION		PKG. TYPE	STD. PKG.
		COLOUR	OUTLETS		
<b>2" Deep, With Lugs – Four Threaded Outlets – 4-1/2" x 2-3/4"</b>					
5321-0	18.3	Gray	4-1/2"	Shrink	20
5321-1	18.3	White	4-1/2"	Shrink	20
5321-2	18.3	Bronze	4-1/2"	Shrink	20
5330-0	18.3	Gray	4-3/4"	Shrink	20

## SINGLE-GANG BOXES: GENERAL DIMENSIONS



CATALOGUE NUMBER	CUBIC IN.	DESCRIPTION		PKG. TYPE	STD. PKG.
		COLOUR	OUTLETS		
<b>2" Deep, With Lugs – Five Threaded Outlets – 4-1/2" x 2-3/4"</b>					
5322-0	18.3	Gray	5-1/2"	Shrink	20
5331-0	18.3	Gray	5-3/4"	Shrink	20
5323-0	18.3	Gray	5-1/2"	Shrink	20
5332-0	18.3	Gray	5-3/4"	Shrink	20

CATALOGUE NUMBER	CUBIC IN.	DESCRIPTION		PKG. TYPE	STD. PKG.
		COLOUR	OUTLETS		
<b>2-5/8" Deep, With Lugs – Three Threaded Outlets – 4-1/2" x 2-3/4"</b>					
5385-0	22.5	Gray	3-1/2"	Shrink	15
5386-0	22.5	Gray	3-3/4"	Shrink	15
5387-0	22.5	Gray	3-1"	Shrink	15

# SINGLE-GANG EXTENSIONS AND ADAPTERS

## APPLICATIONS

Used to provide additional capacity needed for NEC box fill requirements.

Adapters allow installer to add "take-offs" to new boxes/devices.

## PRODUCT FEATURES

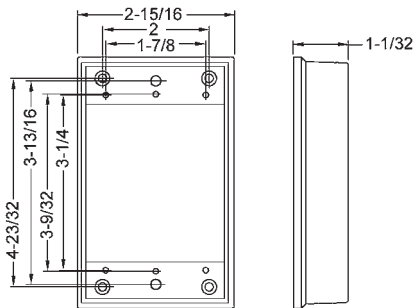
- Installation hardware, gasket, and ground screw provided
- Closure plugs provided for two and six outlet styles
- Internal threads and hubs comply with NEMA requirements. Hubs accept all threaded fittings and threaded conduit
- die cast aluminum construction

## COMPLIANCES

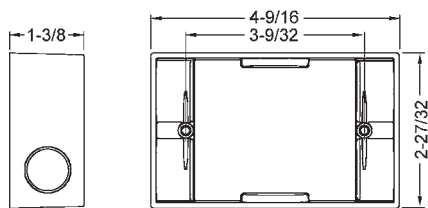
- - Standard 514A
- - C22.2 No. 18
- NEMA 3R Rated

## EXTENSIONS

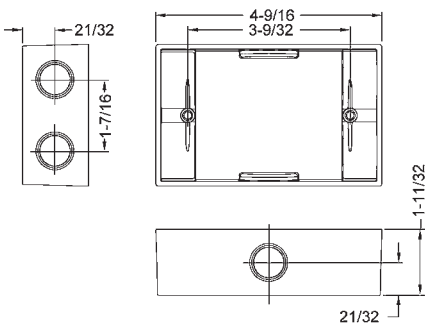
CAT. NO. 5406-0



CAT. NO's. 5399-0, 5403-0



5400-0 SERIES



5406-0



5399-0, 5403-0



5400-0 to 5400-5  
5405-0

CATALOGUE NUMBER	CUBIC IN.	DESCRIPTION		PKG. TYPE	STD. PKG.
		COLOUR	OUTLETS		
<b>Single-Gang Extension - 4-1/2" x 2-3/4" x 1" Deep</b>					
5406-0	9.5	Gray	—	Shrink	25

o g o d c o i d d

CATALOGUE NUMBER	CUBIC IN.	DESCRIPTION		PKG. TYPE	STD. PKG.
		COLOUR	OUTLETS		
<b>Single-Gang - Extension Adapters - 5-1/4" x 3-1/2" x 1-1/2" Deep - Two Threaded Outlets</b>					
5399-0	9.5	Gray	2-1/2"	Shrink	20
5403-0	11.0	Gray	2-3/4"	Shrink	20

c d o c o g

CATALOGUE NUMBER	CUBIC IN.	DESCRIPTION		PKG. TYPE	STD. PKG.
		COLOUR	OUTLETS		
<b>Single-Gang - Extension Adapters - 5-1/4" x 3-1/2" x 1-1/2" Deep - Six Threaded Outlets</b>					
5400-0	9.5	Gray	6-1/2"	Shrink	20
5400-5	9.5	Gray	6-1/2"	Carded	6
5405-0	11.0	Gray	6-3/4"	Shrink	20

c d t c o g

# SINGLE-GANG EXTENSION ADAPTERS

H3

WEATHERPROOF BOXES,  
COVERS & LIGHTING

## APPLICATIONS



Used to provide additional capacity needed for NEC box fill requirements.

Allows installer to add "take-offs" to new boxes/devices.

## PRODUCT FEATURES

- Unique swing-arm design speeds installation by allowing the installer better visibility when lining up and threading fasteners
- Rugged die cast construction
- Reinforced connector outlets
- State-of-the-art powder coat finish
- Installation hardware, ground screw and gasket provided
- Multi-lingual instructions in each package
- Internal threads and hubs comply with NEMA requirements. Hubs accept all threaded fittings and threaded conduit
- die cast aluminum construction

## COMPLIANCES

-  - Standard 514A
-  - C22.2 No. 18
- NEMA 3R Rated



5412-0, 5413-0



5414-0, 5415-0

CATALOGUE NUMBER	CUBIC IN.	DESCRIPTION		PKG. TYPE	STD. PKG.
		COLOUR	OUTLETS		
<b>Swing-Arm - Extension Adapters - 5-1/4" x 3-1/2" x 1-1/2" Deep - Two Threaded Outlets</b>					
5412-0	13.8	Gray	2-1/2"	Shrink	10
5413-0	13.8	Gray	2-3/4"	Shrink	10

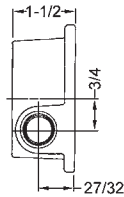
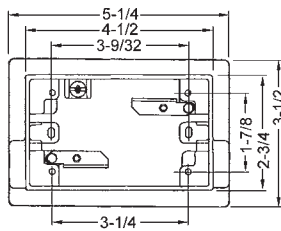
c d o c o g

CATALOGUE NUMBER	CUBIC IN.	DESCRIPTION		PKG. TYPE	STD. PKG.
		COLOUR	OUTLETS		
<b>Swing-Arm - Extension Adapters - 5-1/4" x 3-1/2" x 1-1/2" Deep - Six Threaded Outlets</b>					
5414-0	12.8	Gray	6-1/2"	Shrink	10
5415-0	12.8	Gray	6-3/4"	Shrink	10

c d t c o g

## SWING ARM EXTENSION ADAPTERS

CAT. NOS. 5412-0 TO 5415-0



# TWO-GANG BOXES

## APPLICATIONS



For use in branch circuit wiring in wet, damp, or dry locations.

Can be used as a weatherproof junction box, or as a housing for receptacles, switches, and GFCI's.

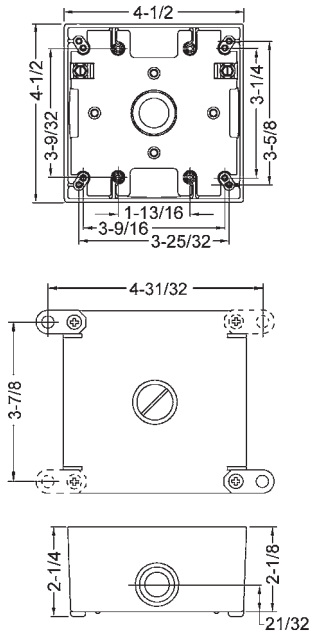
## PRODUCT FEATURES

- Seamless die cast aluminum construction
- Reinforced connector outlets
- State-of-the-art powder coat finish
- Eight box mounting options with detachable lugs provided
- Two closure plugs included
- Ground screws installed
- Multi-lingual instructions in each package
- Internal threads on hubs comply with NEMA requirements. Hubs accept all threaded fittings and threaded conduit

## COMPLIANCES

-  - Standard 514A
-  - C22.2 No. 18
- NEMA 3R Rated

## TWO-GANG BOXES GENERAL DIMENSIONS

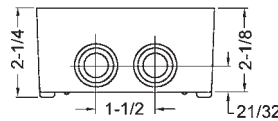


CATALOGUE NUMBER	CUBIC IN.	DESCRIPTION		PKG. TYPE	STD. PKG.
		COLOUR	OUTLETS		
<b>2" Deep, With Lugs – Three Threaded Outlets – 4-1/2" x 4-1/2"</b>					
5333-0			/ "	i	
5341-0			/4"	i	

CATALOGUE NUMBER	CUBIC IN.	DESCRIPTION		PKG. TYPE	STD. PKG.
		COLOUR	OUTLETS		
<b>2" Deep, With Lugs – Four Threaded Outlets – 4-1/2" x 4-1/2"</b>					
5335-0			4 / "	i	
5343-0			4 /4"	i	

CATALOGUE NUMBER	CUBIC IN.	DESCRIPTION		PKG. TYPE	STD. PKG.
		COLOUR	OUTLETS		
<b>2" Deep, With Lugs - Five Threaded Outlets - 4-1/2" x 4-1/2"</b>					
5337-0	31.0	Gray	5-1/2"	Shrink	12
5337-1	31.0	White	5-1/2"	Shrink	12
5345-0	31.0	Gray	5-3/4"	Shrink	12
5334-0	32.0	Gray	5-1/2"	Shrink	12
5342-0	32.0	Gray	5-3/4"	Shrink	12

END VIEW FOR STYLES WITH TWO OUTLETS ON ONE END



# TWO-GANG BOXES

## APPLICATIONS

For use in branch circuit wiring in wet, damp, or dry locations.

Can be used as a weatherproof junction box, or as a housing for receptacles, switches, and GFCI's.

## PRODUCT FEATURES

- Seamless die cast aluminum construction
- Reinforced connector outlets
- State-of-the-art powder coat finish
- Eight box mounting options with de-tachable plugs provided
- Two closure plugs included
- Ground screws installed
- Multi-lingual instructions in each package
- Internal threads and hubs comply with NEMA requirements. Hubs accept all threaded fittings and threaded conduit



5340-0, 5348-0



5338-0, 5346-0



5388-0, 5389-0

CATALOGUE NUMBER	CUBIC IN.	DESCRIPTION		PKG. TYPE	STD. PKG.
		COLOUR	OUTLETS		
<b>2" Deep, With Lugs – Seven Threaded Outlets – 4-1/2" x 4-1/2"</b>					
5340-0			/ "	i	
5348-0			/4"	i	
5338-0			/ "	i	
5346-0			/4"	i	

c d t o c o g

## COMPLIANCES

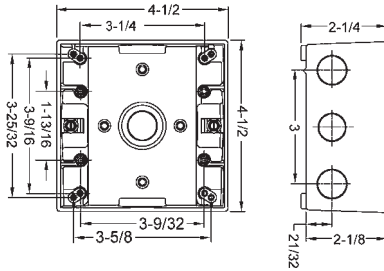
- – Standard 514A
- – C22.2 No. 18
- NEMA 3R Rated

CATALOGUE NUMBER	CUBIC IN.	DESCRIPTION		PKG. TYPE	STD. PKG.
		COLOUR	OUTLETS		
<b>2-5/8" Deep, With Lugs – Five Threaded Outlets – 4-1/2" x 4-1/2"</b>					
5388-0			/4"	i	
5389-0			"	i	

c d t o c o g

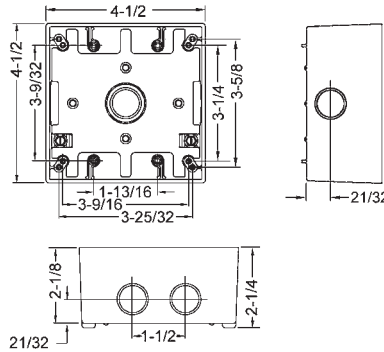
### TWO-GANG BOXES WITH 7 OUTLETS

CAT. NOS. 5340-0, 5348-0



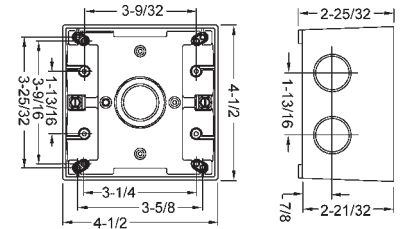
### TWO-GANG BOXES WITH 5 OUTLETS

CAT. NOS. 5338-0, 5346-0



### TWO-GANG BOXES WITH 5 OUTLETS

CAT. NOS. 5388-0, 5389-0



# MULTI-GANG BOXES AND EXTENSIONS



## TWO-GANG EXTENSION APPLICATION

Used to provide additional capacity needed for NEC box fill requirements.

## TWO-GANG EXTENSION PRODUCT FEATURES

- Seamless die cast aluminum construction
- State-of-the-art powder coat finish
- Installation hardware and gasket provided
- Multi-lingual instructions in each package

## TWO-GANG EXTENSION COMPLIANCES

-  – Standard 514A
-  – C22.2 No. 18
- NEMA 3R Rated

## THREE-GANG BOX APPLICATIONS



For use in branch circuit wiring in wet, damp, or dry locations.

Can be used as a weatherproof junction box, or as a housing for receptacles, switches, and GFCI's.

## THREE-GANG BOX PRODUCT FEATURES

- Seamless die cast aluminum construction
- Reinforced connector outlets
- State-of-the-art powder coat finish
- Eight box mounting options with detachable lugs provided
- Four closure plugs included
- Ground screws installed
- Multi-lingual instructions in each package
- Internal threads and hubs comply with NEMA requirements. Hubs accept all threaded fittings and threaded conduit

## THREE-GANG BOX COMPLIANCES

-  – Standard 514A
-  – C22.2 No. 18
- NEMA 3R Rated



5407-0



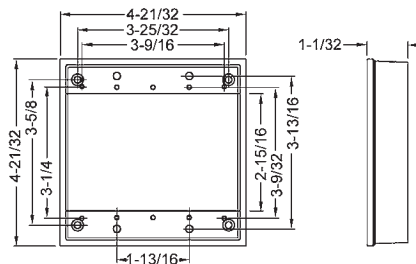
5390-0

CATALOGUE NUMBER	CUBIC IN.	DESCRIPTION		PKG. TYPE	STD. PKG.
		COLOUR	OUTLETS		
<b>Two-Gang Extension – 4-21/32" x 4-21/32" x 1-1/32" Deep</b>					
5407-0	16.0	Gray	—	Shrink	10

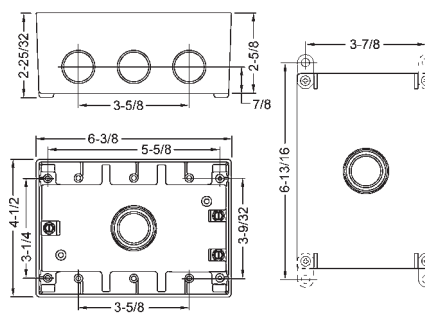
CATALOGUE NUMBER	CUBIC IN.	DESCRIPTION		PKG. TYPE	STD. PKG.
		COLOUR	OUTLETS		
<b>Three-Gang Box – 2-5/8" Deep, With Lugs – Seven Threaded Outlets – 4-1/2" X 6-3/8"</b>					
5390-0	55.0	Gray	7-3/4"	Boxed	1

c d o c o g

TWO-GANG EXTENSION



THREE-GANG BOX



# ROUND SPLICE BOXES, EXTENSION ADAPTERS AND COVERS

## 4" ROUND SPLICE BOXES APPLICATIONS

For use in branch circuit wiring in wet, damp, or dry locations.

Designed for use as a weatherproof junction box, and may be used with Bell® round cluster covers and round lampholder combinations.



5361-0 to 5361-7,  
5372-0



5363-0



5374-0

## 4" ROUND SPLICE BOXES PRODUCT FEATURES

- Rugged die cast construction
- Reinforced connector outlets
- State-of-the-art powder coat finish
- Cast-in mounting lugs provide fast, secure installation
- Includes four closure plugs, installed ground screw, and multi-lingual instructions

## 4" ROUND SPLICE BOXES COMPLIANCES

- – Standard 514A
- – C22.2 No. 18
- NEMA 3R Rated

## 4" ROUND EXTENSION ADAPTERS APPLICATIONS

For use with 4" round splice boxes.

Extension adapters are used to in-crease box capacity and allow the installer to add "take-offs" to new boxes/devices.

## 4" ROUND EXTENSION ADAPTERS PRODUCT FEATURES

- Rugged die cast construction
- Reinforced connector outlets
- State-of-the-art powder coat finish
- Includes installation hardware, closure plugs, gasket, and multi-lingual instructions

## 4" ROUND EXTENSION ADAPTERS COMPLIANCES

- – Standard 514A
- – C22.2 No. 18
- NEMA 3R Rated

CATALOGUE NUMBER	CUBIC IN.	DESCRIPTION		PKG. TYPE	STD. PKG.
		COLOUR	OUTLETS		
<b>4" Round Splice Box – Five Threaded Outlets – 1-1/2" Deep</b>					
5361-0	16.0	Gray	5-1/2"	Shrink	16
5361-1	16.0	White	5-1/2"	Shrink	16
5361-2	16.0	Bronze	5-1/2"	Shrink	16
5372-0	16.0	Gray	5-3/4"	Shrink	16

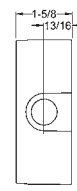
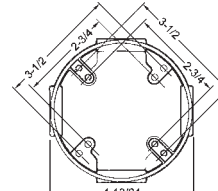
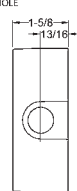
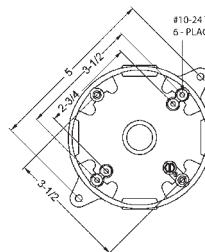
CATALOGUE NUMBER	CUBIC IN.	DESCRIPTION		PKG. TYPE	STD. PKG.
		COLOUR	OUTLETS		
<b>4" Round Extension Adapter – Four Threaded Outlets – 1-1/2" Deep</b>					
5363-0	16.3	Gray	4-1/2"	Shrink	16

CATALOGUE NUMBER	CUBIC IN.	DESCRIPTION		PKG. TYPE	STD. PKG.
		COLOUR	OUTLETS		
<b>4" Round Splice Box &amp; Cover – Five Threaded Outlets – 1-1/2" Deep</b>					
5365-0	16.0	Gray	5-1/2"	Shrink	16
5375-0	16.0	Gray	5-3/4"	Shrink	16

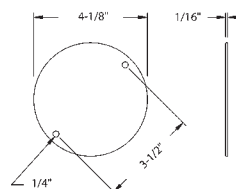
CATALOGUE NUMBER	DESCRIPTION		PKG. TYPE	STD. PKG.
	COLOUR	OUTLETS		
<b>4" Round Cover</b>				
5374-0	Gray	Blank	Shrink	30

4" ROUND SPLICE BOXES

4" ROUND EXTENSION ADAPTERS



4" ROUND COVER



**MINI SNAP COVER AND RECEPTACLE APPLICATION**

For use when a convenience outlet is required in a small space.

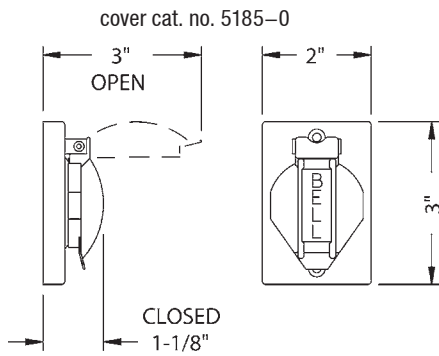
**MINI SNAP COVER AND RECEPTACLE PRODUCT FEATURES**

- State-of-the-art powder coat finish provides for maximum weather-ability and scratch resistance
- Self-closing lid assures weatherproof protection when the receptacle is not in use



5185-0

CATALOGUE NUMBER	CUBIC IN.	DESCRIPTION		PKG TYPE	STD. PKG.
		COLOUR	OUTLETS		
<b>Mini Snap Cover And Receptacle - 3" x 2" x 1-1/8" Deep</b>					
5185-0	-	Gray	Cover & 125V 15A receptacle	Polybag	10





# RAYNTITE® SINGLE-GANG WEATHERPROOF-WHILE-IN-USE COVERS

## APPLICATION

Rayntite® covers are designed for use whenever weatherproof protection is required while an outlet is in use.

## PRODUCT FEATURES

- Modularity: 6 SKU's cover almost every application — no need to tie-up money and shelf space stocking multiple SKU's
- Unique snap fit design speeds installation. No more fumbling with open covers
- High-impact polycarbonate construction: Virtually indestructible
- No need to worry about rust and corrosion
- Tinted lid: Hides dust, dirt, and scratches
- Padlockable design: Prevents tampering and accidental disconnects
- Tri-lingual instructions: One product for all North American markets
- Covers can be either device or box mounted — allows for installation flexibility
- Meets NEC 406.8 (B) requirements — no need to worry about code compliances



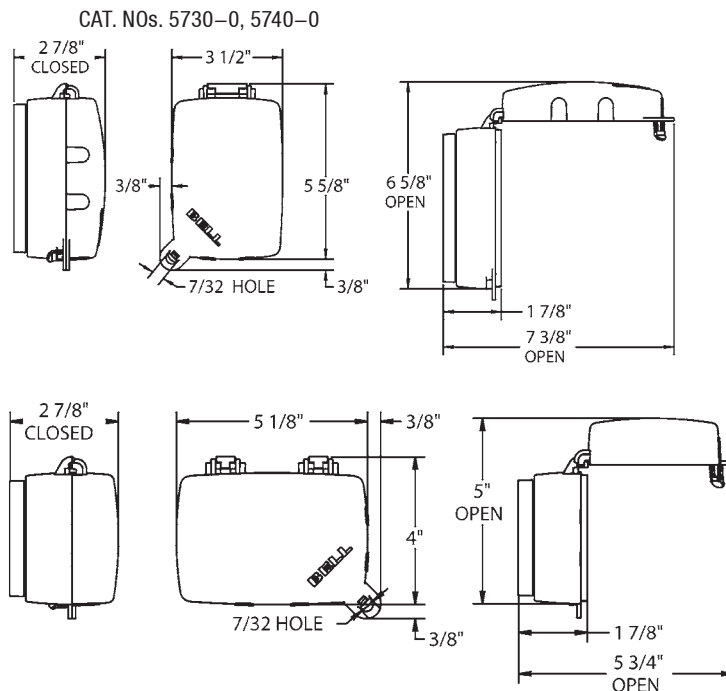
CATALOGUE NUMBER	RECEPTACLE TYPE	PKG. TYPE	STD. PKG.
<b>Single-Gang – Standard Depth</b>			
<b>5730-0</b>	Single gang vertical cover with 4 plates included -for duplex, GFCI, toggle and single round receptacles 1.344, 1.406, 1.468, 1.593, 1.655, 1.719, 2.032 and 2.156 Dia.	Shrink	10
<b>5740-0</b>	Single gang horizontal cover with 4 plates included - for duplex, GFCI, toggle and single round receptacles 1.344, 1.406, 1.468, 1.593, 1.655, 1.719, 2.032 and 2.156 Dia.	Shrink	10

## COMPLIANCES

- UL
- NEMA 3R Rated
- Meets NEC 406.8 (B) Requirements

## REFERENCE DATA

- Canadian Patent 2,092, 516
- United States Patents  
5,981, 875  
5,533, 637  
5,456, 377  
5,228, 584



# RAYNTITE® SINGLE-GANG WEATHERPROOF-WHILE-IN-USE COVERS

**APPLICATION**

Rayntite® covers are designed for use whenever weatherproof protection is required while an outlet is in use.


**PRODUCT FEATURES**

- Modularity: 6 SKU's cover almost every application — no need to tie- up money and shelf space stocking multiple SKU's
- Unique snap fit design speeds installation. No more fumbling with open covers
- High-impact polycarbonate construction: Virtually indestructible
- No need to worry about rust and corrosion
- Tinted lid: Hides dust, dirt, and scratches
- Padlockable design: Prevents tampering and accidental disconnects
- Tri-lingual instructions: One product for all North American markets
- Covers can be either device or box mounted — allows for installation flexibility
- Meets NEC 406.8 (B) requirements — no need to worry about code compliances



CATALOGUE NUMBER	RECEPTACLE TYPE	PKG. TYPE	STD. PKG.
<b>Single-Gang – Deep</b>			
5735-0	Single gang vertical cover- Deep with 4 plates included - for duplex, GFCI, toggle and single round receptacles 1.344, 1.406, 1.468, 1.593, 1.655, 1.719, 2.032 and 2.156 Dia.	Shrink	6

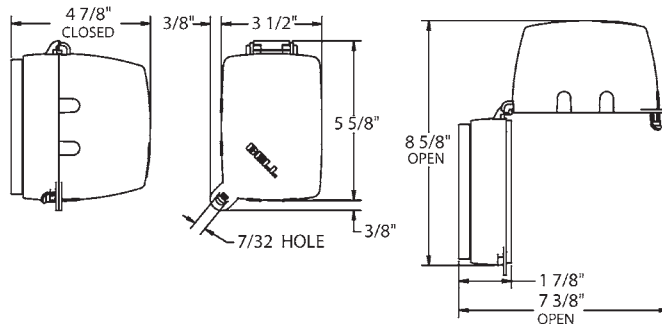
**COMPLIANCES**

-  UL
- NEMA 3R Rated
- Meets NEC 406.8 (B) Requirements

**REFERENCE DATA**

- Canadian Patent 2,092, 516
- United States Patents  
5,981, 875  
5,533, 637  
5,456, 377  
5,228, 584

CAT. NO. 5735-0



# RAYNTITE® TWO-GANG WEATHERPROOF-WHILE-IN-USE COVERS

H11

WEATHERPROOF BOXES, COVERS & LIGHTING


## APPLICATION

Rayntite® covers are designed for use whenever weatherproof protection is required while an outlet is in use.

## PRODUCT FEATURES

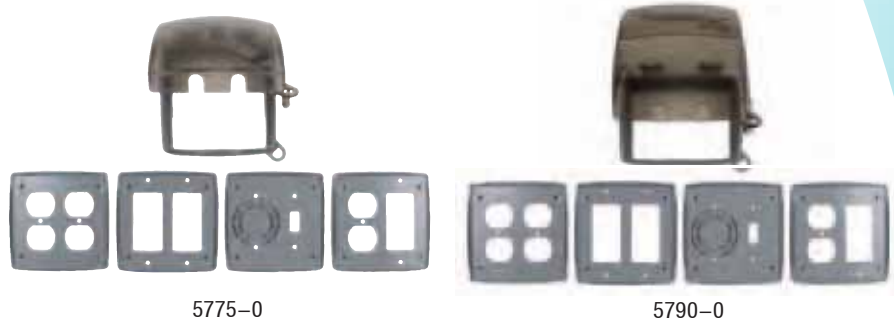
- Modularity: 6 SKU's cover almost every application — no need to tie- up money and shelf space stocking multiple SKU's
- Unique snap fit design speeds installation. No more fumbling with open covers
- Two-gang plates can be mounted vertically or horizontally
- High-impact polycarbonate construction: Virtually indestructible
- No need to worry about rust and corrosion
- Tinted lid: Hides dust, dirt, and scratches
- Padlockable design: Prevents tampering and accidental disconnects
- Tri-lingual instructions: One product for all North American markets
- Covers can be either device or box mounted — allows for installation flexibility
- Meets NEC 406.8 (B) requirements — no need to worry about code compliances

## COMPLIANCES

-  UL
- NEMA 3R Rated
- Meets NEC 406.8 (B) Requirements

## REFERENCE DATA

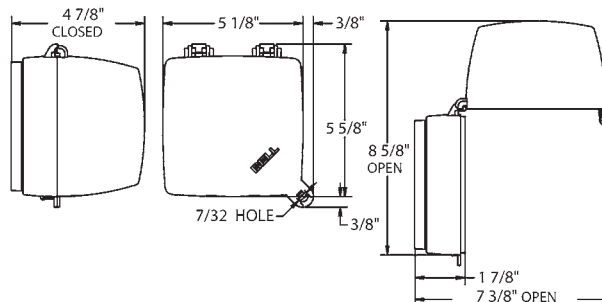
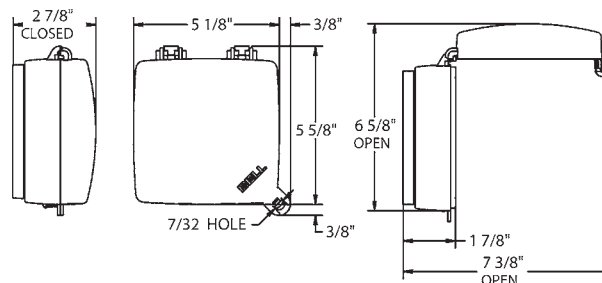
- Canadian Patent 2,092, 516
- United States Patents  
5,981, 875  
5,533, 637  
5,456, 377  
5,228, 584



CATALOGUE NUMBER	RECEPTACLE TYPE	PKG. TYPE	STD. PKG.
<b>Two-Gang – Standard Depth</b>			
5775-0	Two-gang vertical cover- with 4 plates included - for duplex, and single round receptacles 1.344, 1.406, 1.468, 1.593, 1.655, 1.719, 2.033 and 2.156 Dia.	Shrink	5

CATALOGUE NUMBER	RECEPTACLE TYPE	PKG. TYPE	STD. PKG.
<b>Two-Gang – Deep</b>			
5790-0	Two-gang vertical cover- Deep with 4 plates included - for duplex, and single round receptacles 1.344, 1.406, 1.468, 1.593, 1.655, 1.719, 2.032 and 2.156 Dia.	Shrink	3

CAT. NOS. 5775-0, 5790-0



# RAYNTITE® TWO-GANG WEATHERPROOF-WHILE-IN-USE COVERS


**APPLICATION**

Rayntite® covers are designed for use whenever weatherproof protection is required while an outlet is in use.

**PRODUCT FEATURES**

- Modularity: 6 SKU's cover almost every application — no need to tie-up money and shelf space stocking multiple SKU's
- Unique snap fit design speeds installation. No more fumbling with open covers
- Two-gang plates can be mounted vertically or horizontally
- High-impact polycarbonate construction: Virtually indestructible
- No need to worry about rust and corrosion
- Tinted lid: Hides dust, dirt, and scratches
- Padlockable design: Prevents tampering and accidental disconnects
- Tri-lingual instructions: One product for all North American markets
- Covers can be either device or box mounted — allows for installation flexibility
- Meets NEC 406.8 (B) requirements — no need to worry about code compliances

**COMPLIANCES**

-  NEMA 3R Rated
- Meets NEC 406.8 (B) Requirements

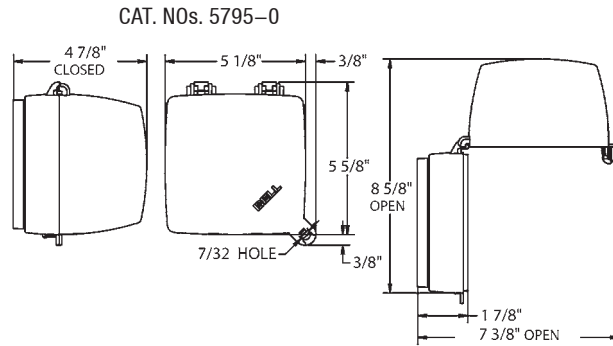
**REFERENCE DATA**

- Canadian Patent 2,092, 516
- United States Patents  
5,981, 875  
5,533, 637  
5,456, 377  
5,228, 584



5795-0

CATALOGUE NUMBER	RECEPTACLE TYPE	PKG. TYPE	STD. PKG.
<b>Two-Gang – Deep</b>			
5795-0	Two-gang vertical cover-Deep with 2 plates included - for single round receptacles 1.344, 1.406, 1.468, 1.593, 1.655, 1.719, 2.032 and 2.156 Dia.	Shrink	3



# RAYNTITE® SINGLE-GANG DEVICE COVERS

H13

WEATHERPROOF BOXES,  
COVERS & LIGHTING



## APPLICATION

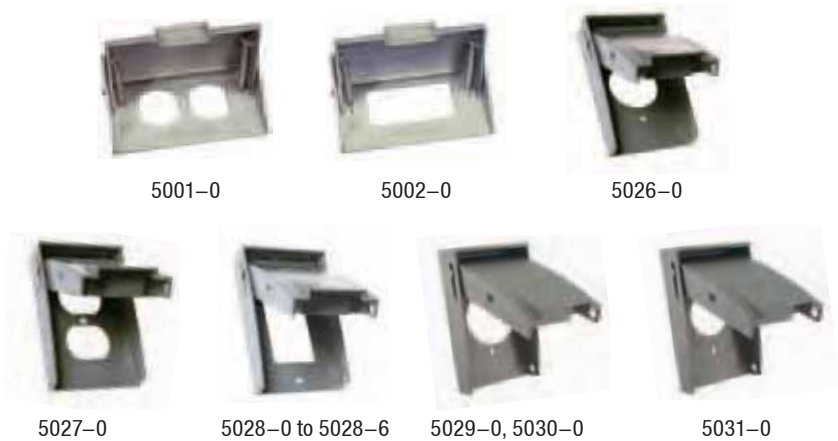
For use whenever weatherproof protection is required for an outdoor receptacle.

## PRODUCT FEATURES

- Rugged die cast aluminum construction
- State-of-the-art powder coat finish provides maximum weatherability and scratch resistance
- Self-closing lids assure weatherproof protection when the receptacle is not in use
- Vertical mount covers are padlockable
- May be mounted to box or device
- Includes installation hardware, gasket, and multi-lingual instructions

## COMPLIANCES

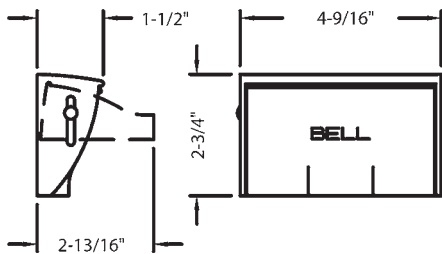
-  - Standard 514A
-  - C22.2 No. 18
- NEMA 3R Rated



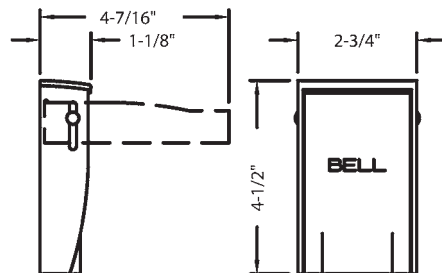
CATALOGUE NUMBER	COLOUR	RECEPTACLE TYPE	PKG. TYPE	STD. PKG.
<b>Horizontal Mount</b>				
5001-0	Gray	Duplex	Shrink	24
5002-0	Gray	GFCI	Shrink	24

CATALOGUE NUMBER	COLOUR	RECEPTACLE TYPE	PKG. TYPE	STD. PKG.
<b>Vertical Mount – Padlockable</b>				
5026-0	Gray	Single, 1.593" diameter	Shrink	24
5027-0	Gray	Duplex	Shrink	24
5028-0	Gray	GFCI	Shrink	24
5028-6	White	GFCI	Carded	6
5029-0	Gray	20A, 1.710" diameter	Shrink	12
5030-0	Gray	30-50A, 2.150" diameter	Shrink	12
5031-0	Gray	Single, 1.406" diameter	Shrink	12

HORIZONTAL MOUNT COVERS



VERTICAL MOUNT COVERS



BELL®



# RAYNTITE® TWO-GANG DEVICE COVERS

## APPLICATION

For use whenever weatherproof protection is required for an outdoor receptacle.

## PRODUCT FEATURES

- Rugged die cast aluminum construction
- State-of-the-art powder coat finish provides maximum weatherability and scratch resistance
- Self-closing lids assure weatherproof protection when the receptacle is not in use
- Covers are padlockable, 1/4" dia. hole
- May be mounted to box or device
- Includes installation hardware, gasket, and multi-lingual instructions

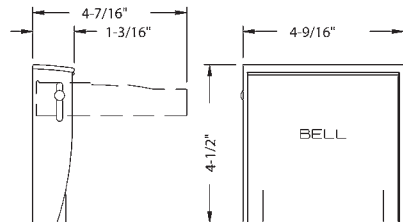
## COMPLIANCES

-  - Standard 514A
-  - C22.2 No. 18
- NEMA 3R Rated



CATALOGUE NUMBER	COLOUR	DESCRIPTION	PKG. TYPE	STD. PKG.
<b>Vertical Mount - Padlockable</b>				
5032-0	Gray	(2) Duplex	Shrink	6
5033-0	Gray	(1) Duplex & (1) GFCI	Shrink	6
5034-0	Gray	(1) 30-50A Receptacle 2.625" diameter	Shrink	6
5036-0	Gray	(1) 30-50A Receptacle 2.156" diameter	Shrink	6
5038-0	Gray	(2) Receptacles, 1.406" diameter	Shrink	6
5040-0	Gray	(1) Single Receptacle, 1.406" diameter & (1) GFCI	Shrink	6
5041-0	Gray	(2) Toggle	Shrink	6
5042-0	Gray	(1) Toggle & (1) Duplex	Shrink	6
5043-0	Gray	(1) Toggle & (1) GFCI	Shrink	6
5045-0	Gray	(2) GFCI	Shrink	6

## TWO-GANG DEVICE COVERS



# SINGLE-GANG DEVICE COVERS

H15

WEATHERPROOF BOXES,  
COVERS & LIGHTING



## APPLICATION

For use whenever weatherproof protection is required for an outdoor receptacle.

## PRODUCT FEATURES

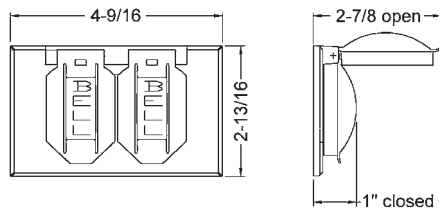
- Rugged metallic construction
- State-of-the-art powder coat finish provides maximum weatherability and scratch resistance
- Self-closing lids assure weatherproof protection when the receptacle is not in use
- Includes installation hardware, gasket, and multi-lingual instructions

## COMPLIANCES

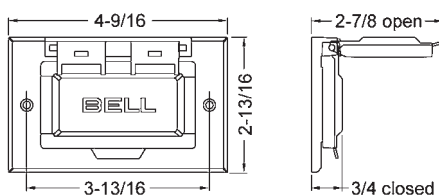
-  - Standard 514A
-  - C22.2 No. 18
- NEMA 3R Rated



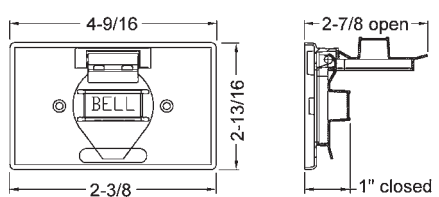
CAT. NOS. 5180-0 SERIES, 5712-5, 5094-0



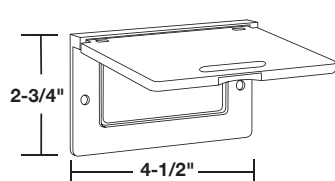
CAT. NO. 5101-0 SERIES



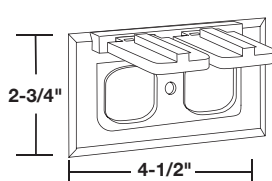
CAT. NO. 5152-0



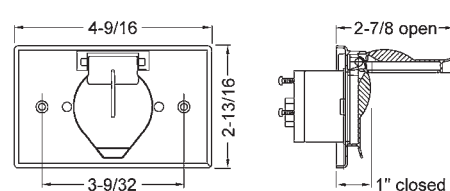
CAT. NO. 5102-0



CAT. NO. 5181-0



CAT. NO. 5153-0



CATALOGUE NUMBER	COLOUR	RECEPTACLE TYPE	PKG. TYPE	STD. PKG.
<b>Horizontal - Device Mount</b>				
5180-0	Gray	Duplex	Shrink	24
5180-1	White	Duplex	Shrink	24
5180-2	Bronze	Duplex	Shrink	24
5181-0	Gray	Duplex	Shrink	24
5101-0	Gray	GFCI	Shrink	24
5101-1	White	GFCI	Shrink	24
5101-2	Bronze	GFCI	Shrink	24
5102-0	Gray	GFCI	Shrink	24
5152-0	Gray	Single, 1.406" diameter	Shrink	24
5153-0	Gray	Motor plug base, 1.600" diameter, 125V, 15A wiring device included	Shrink	12
5712-5	Gray	125V, 15A Duplex receptacle included	Carded	6

/ i t d

CATALOGUE NUMBER	COLOUR	RECEPTACLE TYPE	PKG. TYPE	STD. PKG.
<b>Horizontal - Box Mount</b>				
5094-0	Gray	Duplex	Shrink	24




**APPLICATIONS**

For temporary power back-ups following storms, on construction sites, with RV's or anywhere temporary power is needed.

**PRODUCT FEATURES**

- Extra-deep weatherproof box gives installers the room needed to wire the box efficiently.
- State-of-the-art powder-coated finish provides years of protection against the elements.
- Installation hardware, gasket, and ground screw is provided. No need to search for additional components.

**COMPLIANCES**

-  - C22.2 NO. 18
- NEMA 3R RATED

CATALOGUE NUMBER	COLOUR	DESCRIPTION	PKG. TYPE	STD. PKG.
58405	Gray	Generator Hook-up Box with 3-pole, 4 wire, 30A, 125/250V NEMA L14-30 male receptacle	Boxed	4
58355KIT	Gray	Generator Hook-up Box with 3 pole, 4 wire, 20A, 125/250V NEMA L14-20 male receptacle	Boxed	4



# SINGLE-GANG DEVICE COVERS

H17

WEATHERPROOF BOXES,  
COVERS & LIGHTING

## APPLICATION

For use whenever weatherproof protection is required for an outdoor receptacle.

## PRODUCT FEATURES

- Rugged metallic construction
- State-of-the-art powder coat finish provides maximum weatherability and scratch resistance
- Self-closing lids assure weatherproof protection when the receptacle is not in use
- Includes installation hardware, gasket, and multi-lingual instructions

## COMPLIANCES

-  US
- NEMA 3R Rated



5146-0 to 5146-1



5103-0 to 5103-2



5104-0



5147-0



5155-0 to 5155-2

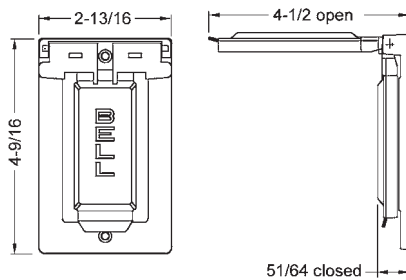


5095-0



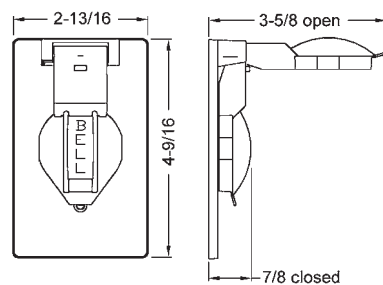
5091-0

## GFCI STYLE COVERS

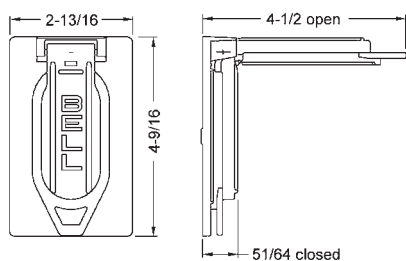


## SINGLE RECEPTACLE STYLE COVERS

NOTE: DIMENSIONS FOR DEVICE-MOUNT AND BOX-MOUNT COVERS ARE THE SAME



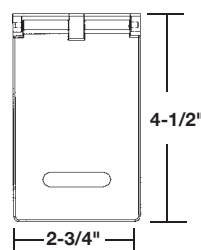
## DUPLEX STYLE COVER



CATALOGUE NUMBER	COLOUR	RECEPTACLE TYPE	PKG. TYPE	STD. PKG.
<b>Vertical – Device Mount</b>				
5146-0	Gray	Duplex	Shrink	24
5146-1	White	Duplex	Shrink	24
5103-0	Gray	GFCI	Shrink	24
5103-1	White	GFCI	Shrink	24
5103-2	Bronze	GFCI	Shrink	24
5104-0	Gray	GFCI	Shrink	24
5155-0	Gray	Single, 1.406" diameter	Shrink	24
5155-1	White	Single, 1.406" diameter	Shrink	24
5155-2	Bronze	Single, 1.406" diameter	Shrink	24

CATALOGUE NUMBER	COLOUR	RECEPTACLE TYPE	PKG. TYPE	STD. PKG.
<b>Vertical – Box Mount</b>				
5095-0	Gray	Duplex	Shrink	24
5091-0	Gray	Single, 1.406" diameter	Shrink	24
5147-0	Gray	Duplex	Shrink	24

## CAT. NO. 5104-0, 5147-0



BELL®



# SINGLE-GANG BLANK COVERS AND MINI-PLATE

## BLANK COVERS APPLICATION

For use whenever weatherproof protection is required for a single-gang box.

## BLANK COVERS PRODUCT FEATURES

- Rugged metallic construction
- State-of-the-art powder coat finish provides maximum weatherability and scratch resistance

## BLANK COVERS COMPLIANCES

-  NEMA 3R Rated

## MINI-PLATE APPLICATIONS

For use with light poles. Provides a safe and convenient means of accessing power for holiday lighting, power tools, and the like.

## MINI-PLATE PRODUCT FEATURES

- Rugged metallic construction
- State-of-the-art powder coat finish provides maximum weatherability and scratch resistance
- Self-closing lid assures weatherproof protection when receptacle is not in use
- Includes installation hardware and receptacle



5173-0 to 5173-7



5174-0



5183-0

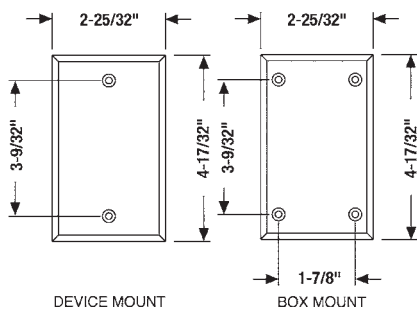
CATALOGUE NUMBER	COLOUR	DESCRIPTION	PKG. TYPE	STD. PKG.
<b>Blank Covers – Device Mount</b>				
5173-0	Gray	Blank Cover	Shrink	50
5173-1	White	Blank Cover	Shrink	50
5173-7	Bronze	Blank Cover	Carded	12

CATALOGUE NUMBER	COLOUR	DESCRIPTION	PKG. TYPE	STD. PKG.
<b>Blank Covers – Box Mount</b>				
5174-0	Gray	Blank Cover	Shrink	50

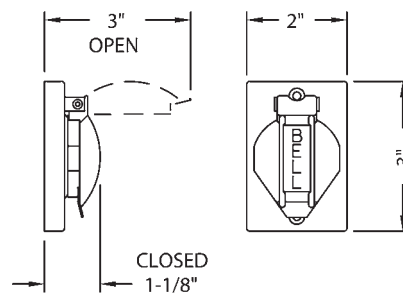
CATALOGUE NUMBER	COLOUR	DESCRIPTION	PKG. TYPE	STD. PKG.
<b>Mini-Plate</b>				
5183-0	Black	Curved back, 1-1/2" radius - for 3" dia. pole mounting	Shrink	48

c d i c t c

## BLANK COVERS



## MINI-PLATE



# TWO-GANG DEVICE COVERS

H19

WEATHERPROOF BOXES,  
COVERS & LIGHTING



## APPLICATION

For use whenever weatherproof protection is required for an outdoor receptacle.

## PRODUCT FEATURES

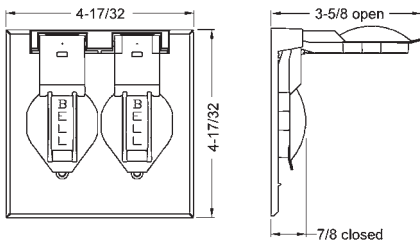
- Rugged metallic construction
- State-of-the-art powder coat finish provides maximum weatherability and scratch resistance
- Self-closing lids assure weatherproof protection when the receptacle is not in use
- Includes installation hardware, gasket, and multi-lingual instructions

## COMPLIANCES

-  - Standard 514A (5132 - 5145)
-  - C22.2 (5132 - 5145)
- NEMA 3R Rated

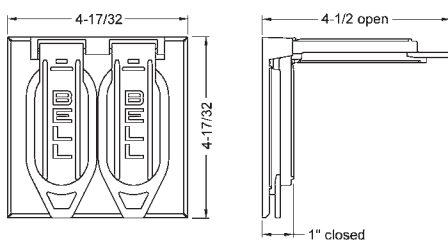


5157-0, 5092-0

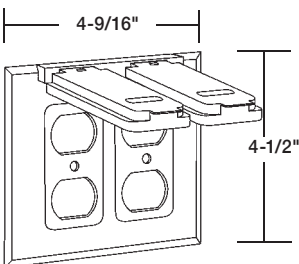


## TWO-GANG DEVICE COVERS

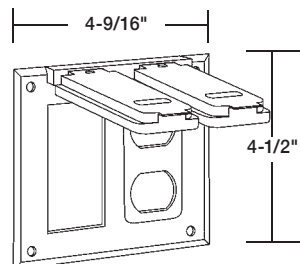
5148-0 SERIES, 5096-0, 5160-0, 5098-0



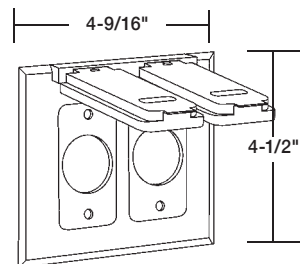
5132-0



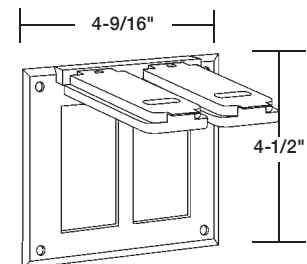
5133-0



5138-0



5145-0



NOTE: DIMENSIONS ARE THE SAME FOR  
DEVICE MOUNT AND BOX MOUNT STYLES SHOWN.  
5157-0 SERIES, 5092-0

CATALOGUE NUMBER	COLOUR	RECEPTACLE TYPE	PKG. TYPE	STD. PKG.
<b>Device Mount</b>				
5132-0	Gray	(2) Duplex	Shrink	10
5138-0	Gray	(2) Round, 1.406" Dia.	Shrink	10
5148-0	Gray	(2) Duplex	Shrink	18
5157-0	Gray	(2) Single, 1.406" dia.	Shrink	18
5160-0	Gray	(1) Duplex & (1) Single, 1.406" dia.	Shrink	12

CATALOGUE NUMBER	COLOUR	RECEPTACLE TYPE	PKG. TYPE	STD. PKG.
<b>Box Mount</b>				
5096-0	Gray	(2) Duplex	Shrink	12
5092-0	Gray	(2) Single, 1.406" dia.	Shrink	12
5098-0	Gray	(1) Duplex & (1) Single, 1.406" dia.	Shrink	12
5133-0	Gray	(1) Duplex, (1) GFCI	Shrink	10
5145-0	Gray	(2) GFCI	Shrink	10

BELL®



# TWO AND THREE-GANG DEVICE COVERS

## APPLICATIONS

For use whenever weatherproof protection is required for an outdoor receptacle. Blank covers for use whenever weatherproof protection is required for a multi-gang box.

## PRODUCT FEATURES

- Rugged metallic construction
- State-of-the-art powder coat finish provides maximum weatherability and scratch resistance
- Self-closing lids assure weatherproof protection when the receptacle is not in use
- Includes installation hardware, gasket, and multi-lingual instructions

## COMPLIANCES

-  **UL**
- NEMA 3R Rated



5097-0



5093-0



5175-0 to 5175-2

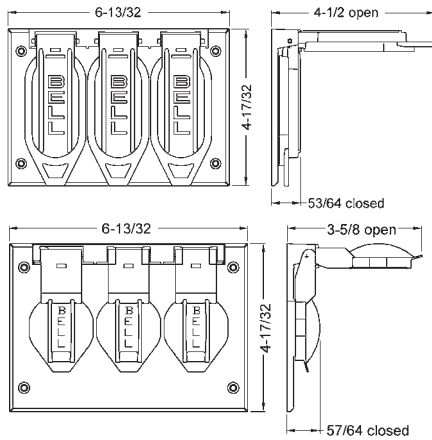


5177-0

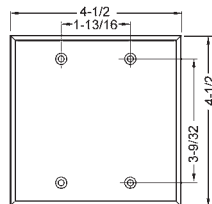
CATALOGUE NUMBER	COLOUR	DESCRIPTION	PKG. TYPE	STD. PKG.
<b>Three-Gang Device Cover – Box Mount</b>				
5097-0	Gray	(3) Duplex	Boxed	1
5093-0	Gray	(3) Single, 1.406" dia.	Boxed	1

CATALOGUE NUMBER	COLOUR	DESCRIPTION	PKG. TYPE	STD. PKG.
<b>Three-Gang Blank Cover – Box Mount</b>				
5177-0	Gray	Blank Cover	Boxed	10

## THREE-GANG DEVICE COVERS 5097-0 AND 5093-0



## BLANK COVERS 5177-0, 5175 SERIES



NOTE: DIMENSIONS ARE THE SAME FOR DEVICE MOUNT AND BOX MOUNT STYLES SHOWN.

CATALOGUE NUMBER	COLOUR	DESCRIPTION	PKG. TYPE	STD. PKG.
<b>Two-Gang Blank Cover – Device Mount</b>				
5175-0	Gray	Blank Cover	Shrink	25
5175-1	White	Blank Cover	Shrink	25
5175-2	Bronze	Blank Cover	Shrink	25

# SINGLE-GANG LEVER SWITCH COVERS



## APPLICATION

For use whenever weatherproof protection is required for an "on-off" type switch.

## PRODUCT FEATURES

- Rugged metallic construction
- State-of-the-art powder coat finish provides maximum weatherability and scratch resistance
- Includes installation hardware and multi-lingual instructions
- Single-gang covers are supplied with a switch — no need to purchase separate components
- Switch/cover units are supplied with the switch unassembled to the cover

## COMPLIANCES

-  – Standard 514A
-  – Certified
- NEMA 3R Rated



5121-0 to 5121-2  
5141-0, 5128-0, 5137-0

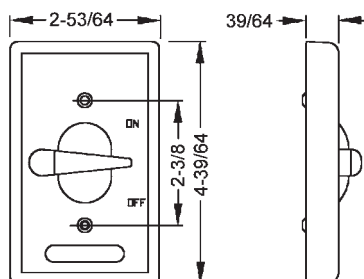
CATALOGUE NUMBER	COLOUR	DESCRIPTION	PKG. TYPE	STD. PKG.
<b>Single-Gang Switch Covers – Vertical – Device Mounted</b>				
5121-0	Gray	SP 125V, 10A	Shrink	24
5121-1	White	SP 125V, 10A	Shrink	24
5121-2	Bronze	SP 125V, 10A	Shrink	24
5141-0	Gray	3-Way 125V, 6A or 250V, 3A	Shrink	8
5128-0	Gray	SP 120-277VAC, 20A	Shrink	20
5137-0	Gray	DP 120-277VAC, 20A	Shrink	20

## SINGLE-GANG

### 5121 SERIES

### 5141 SERIES

### CAT. NOS. 5128-0, 5137-0



# TWO-GANG LEVER SWITCH COVERS

## APPLICATION

For use whenever weatherproof protection is required for an "on-off" type switch.

## PRODUCT FEATURES

- Rugged metallic construction
- State-of-the-art powder coat finish provides maximum weatherability and scratch resistance
- Includes installation hardware and multi-lingual instructions
- Most units supplied with a switch — no need to purchase separate components
- Switch/cover units are supplied with the switch unassembled to the cover

## COMPLIANCES

-  - Standard 514A
-  - Certified
- NEMA 3R Rated



5124-0

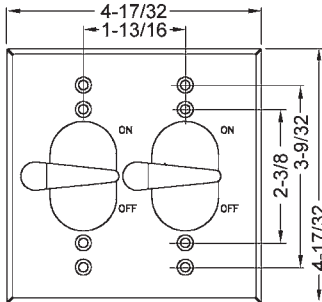
5166-0

5125-0

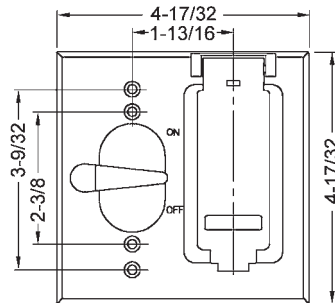
5167-0

CATALOGUE NUMBER	COLOUR	DESCRIPTION	PKG. TYPE	STD. PKG.
<b>Two-Gang Switch Covers – Device Mounted</b>				
5124-0	Gray	(2) SP 125V, 10A	Shrink	8
5125-0	Gray	Cover only	Shrink	8
5166-0	Gray	(1) SP 125V, 10A & (1) Duplex receptacle	Shrink	8
5167-0	Gray	2 Gang, Switch/GFCI Cover box mount	Shrink	8

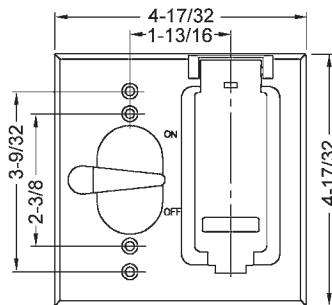
### TWO-GANG CAT. NO. 5124-0, 5125 SERIES



### TWO-GANG 5167 SERIES



### TWO-GANG 5166 SERIES



# THREE-GANG LEVER SWITCH COVER & REPLACEMENT SWITCH

H23

WEATHERPROOF BOXES,  
COVERS & LIGHTING

## THREE-GANG LEVER SWITCH COVER APPLICATION

For use whenever weatherproof protection is required for an "on-off" type switch.

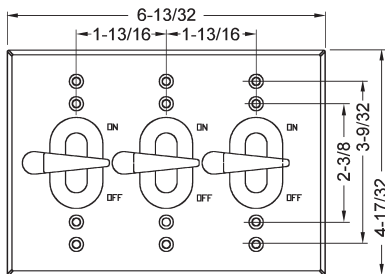
## THREE-GANG LEVER SWITCH COVER PRODUCT FEATURES

- Rugged metallic construction
- State-of-the-art powder coat finish provides maximum weatherability and scratch resistance
- Includes installation hardware and multi-lingual instructions
- Three-gang cover is supplied with switches — no need to purchase separate components
- Switch/cover units are supplied with the switch unassembled to the cover

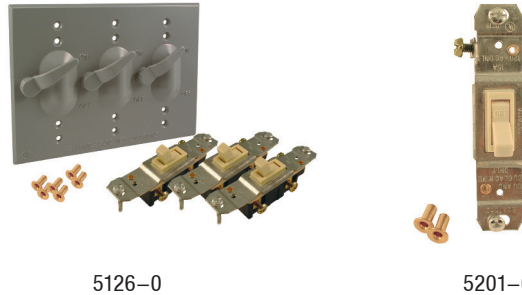
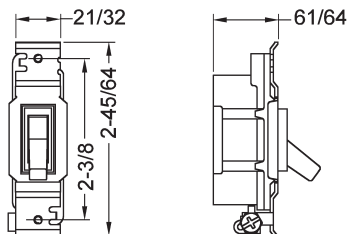
## THREE-GANG LEVER SWITCH COVER COMPLIANCES

-  us
- NEMA 3R Rated (5126-0 only)

### THREE-GANG CAT. NO. 5126-0



### TOGGLE SWITCH CAT. NOS. 5201-0



5126-0

5201-0

THREE-GANG SWITCH COVER – DEVICE MOUNT				
CAT. NUMBER	COLOR	DESCRIPTION	PKG. TYPE	STD. PKG.
5126-0	Gray	(3) SP 125V, 10A	Boxed	1

LEVER SWITCH COVER – ACCESSORIES				
CAT. NUMBER	COLOR	DESCRIPTION	PKG. TYPE	STD. PKG.
5201-0	—	SP 125V, 10A Toggle switch	Polybag	10

# CLUSTER COVERS

## APPLICATIONS

For use with Bell® single-gang rectangular or round weather-proof boxes. Cluster covers provide an easy means of mounting Bell® lampholders and other accessories.

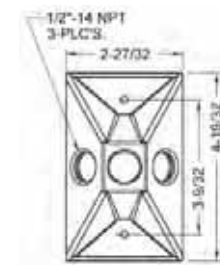
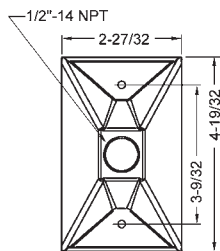
## PRODUCT FEATURES

- Rugged die cast construction
- State-of-the-art powder coat finish provides maximum weatherability and scratch-resistance
- Includes installation hardware, gasket, and multi-lingual instructions
- Three-hole covers are supplied with two closure plugs

## COMPLIANCES

-  - Standard 514A
-  - Certified - C22.2 #18

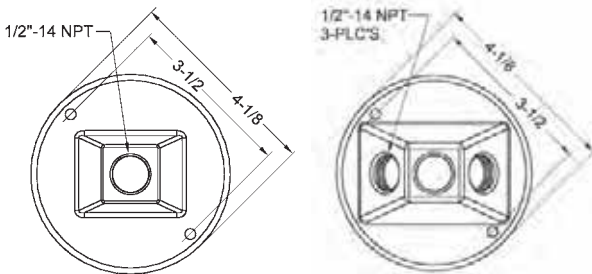
### RECTANGULAR CLUSTER COVERS 5186 SERIES, 5189 SERIES



CATALOGUE NUMBER	COLOUR	DESCRIPTION	PKG. TYPE	STD. PKG.
<b>Rectangular Cluster - Covers</b>				
5186-0	Gray	1-1/2" Outlet	Shrink	20
5186-1	White	1-1/2" Outlet	Shrink	20
5186-2	Bronze	1-1/2" Outlet	Shrink	20
5189-0	Gray	3-1/2" Outlets	Shrink	20
5189-1	White	3-1/2" Outlets	Shrink	20
5189-2	Bronze	3-1/2" Outlets	Shrink	20

CATALOGUE NUMBER	COLOUR	DESCRIPTION	PKG. TYPE	STD. PKG.
<b>4" Round Cluster - Covers</b>				
5193-0	Gray	1-1/2" Outlet	Shrink	20
5193-1	White	1-1/2" Outlet	Shrink	20
5193-2	Bronze	1-1/2" Outlet	Shrink	20
5197-0	Gray	3-1/2" Outlets	Shrink	20
5197-1	White	3-1/2" Outlets	Shrink	20
5197-2	Bronze	3-1/2" Outlets	Shrink	20

### ROUND CLUSTER COVERS 5193 SERIES, 5197 SERIES





# LAMP HOLDERS

H25

WEATHERPROOF BOXES,  
COVERS & LIGHTING

## APPLICATIONS.

For outdoor or indoor lighting use. May be used with Bell® cluster covers and boxes.

## PRODUCT FEATURES

- Rugged metallic construction
- State-of-the-art powder coat finish provides maximum weatherability and scratch-resistance
- Locking swivel knuckle assures positive lamp positioning and provides pin-point directional aiming
- Extra long wire leads for easy hook-up
- Each lampholder supplied with a porcelain socket, inside gasket, 1/2" locknut and multi-lingual instructions



5606-0

5612-0

5611-0



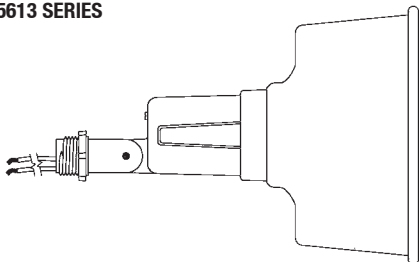
5615-0

5613-0 to 5613-2

## COMPLIANCES

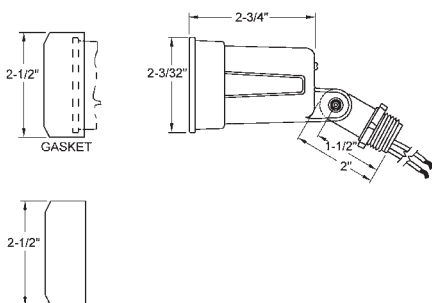
- – Standard 1598
- – Certified C22.2 No. 18

## 5613 SERIES



## LAMP HOLDERS

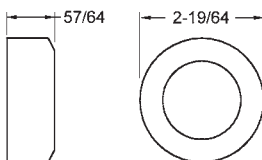
### 5606 SERIES, 5612-0



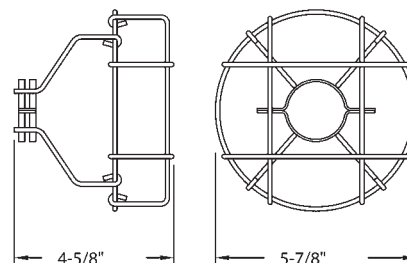
CATALOGUE NUMBER	COLOUR	DESCRIPTION	PKG. TYPE	STD. PKG.
<b>Lampholders And Accessories For 75-150 Watt Par 38 Lamps</b>				
5606-0	Gray	Lampholder	Shrink	30
5606-1	White	Lampholder	Shrink	30
5606-2	Bronze	Lampholder	Shrink	30
5612-0	Gray	Lampholder w/gasket	Shrink	30
5611-0	—	Outer gasket only, replacement gasket for 5612-0	Polybag	30
5615-0	—	Wire guard only	Shrink	5

CATALOGUE NUMBER	COLOUR	DESCRIPTION	PKG. TYPE	STD. PKG.
<b>Architectural Lampholders For 75-150 Watt Par 38 Lamps</b>				
5613-0	Gray	Lampholder	Shrink	4
5613-1	White	Lampholder	Shrink	4
5613-2	Bronze	Lampholder	Shrink	4

### CAT. NO. 5611-0



### CAT. NO. 5615-0



**PORTABLE LAMPHOLDER APPLICATION**

For general outdoor lighting use.

**PORTABLE LAMPHOLDER PRODUCT FEATURES**

- Rugged die-cast construction
- State-of-the-art powder coat finish provides maximum weatherability and scratch-resistance
- Locking swivel knuckle assures positive lamp positioning and provides pin-point directional aiming

**PORTABLE LAMPHOLDER COMPLIANCES**



**BULLET LAMPHOLDER APPLICATION**

For general outdoor lighting use. May be used with BELL cluster covers and boxes

**BULLET LAMPHOLDER PRODUCT FEATURES**

- Rugged die cast
- Locking swivel knuckle
- Assure positive lamp positioning and provides pinpoint directional aiming
- Includes installation hardware and multilingual instructions

**BULLET LAMPHOLDER COMPLIANCES**



5792-0

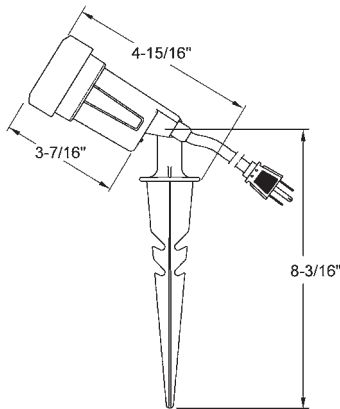


5820-8

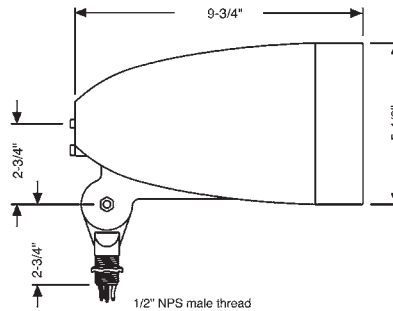
CATALOGUE NUMBER	COLOUR	DESCRIPTION	PKG. TYPE	STD. PKG.
<b>Portable Lampholder Assembly</b>				
5792-0	Gray	Spike, 6 ft. cord & plug	Polybag	12

CATALOGUE NUMBER	COLOUR	DESCRIPTION	PKG. TYPE	STD. PKG.
<b>Bullet Lampholders - For 75-150 Watt Par 38 And R-40 Lamps</b>				
5820-8	Green	Lampholder	Boxed	2

PORTABLE LAMPHOLDER ASSEMBLY 5792-0



BULLET LAMPHOLDER ASSEMBLY 5820-8



# LAMPHOLDER COMBINATIONS

H27

WEATHERPROOF BOXES,  
COVERS & LIGHTING



## APPLICATION

For use with Bell® single-gang rectangular or round weatherproof boxes.

## PRODUCT FEATURES

- Rugged metallic construction
- State-of-the-art powder coat finish provides maximum weatherability and scratch-resistance
- Each combination kit is a complete weatherproof installation — no need to purchase separate components
- Includes installation hardware, gasket, and multi-lingual instructions

## COMPLIANCES

-  – Standard 1598
-  – Certified C22.2 No. 18



5620-0

5624-0 to 5624-2

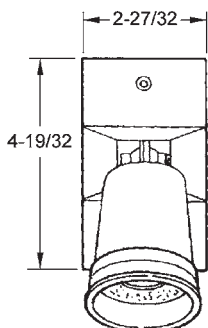
5621-0 to 5621-6

5625-0 to 5625-2

CATALOGUE NUMBER	COLOUR	DESCRIPTION	PKG. TYPE	STD. PKG.
<b>Rectangular Cover – Combinations For 75-150 Watt Par 38 Lamps</b>				
5620-0	Gray	(1) Lampholder	Shrink	8
5621-0	Gray	(2) Lampholders	Shrink	8
5621-6	White	(2) Lampholders	Carded	4

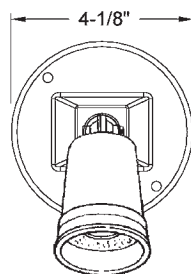
CATALOGUE NUMBER	COLOUR	DESCRIPTION	PKG. TYPE	STD. PKG.
<b>4" Round Cover – Combinations For 75-150 Watt Par 38 Lamps</b>				
5624-0	Gray	(1) Lampholder	Shrink	8
5624-1	White	(1) Lampholder	Shrink	8
5624-2	Bronze	(1) Lampholder	Shrink	8
5625-0	Gray	(2) Lampholders	Shrink	8
5625-1	White	(2) Lampholders	Shrink	8
5625-2	Bronze	(2) Lampholders	Shrink	8

5620 SERIES

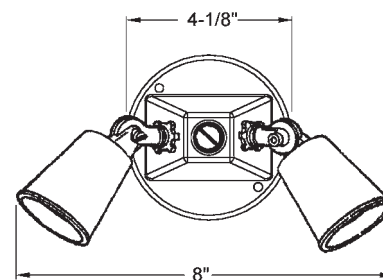


5621 SERIES

5624 SERIES



5625 SERIES





**APPLICATION**

For general use in wet, damp, or dry locations.

**PRODUCT FEATURES**

- Each kit is a complete weatherproof installation — no need to purchase separate components
- Each kit includes easy-to-follow multi-lingual instructions
- All kit components are described in the preceding pages

**COMPLIANCES**

-  - Standard 1598
-  - Certified C22.2 No.18



5883-5 to 5883-6



5818-5 to 5818-6

CATALOGUE NUMBER	COLOUR	DESCRIPTION	PKG. TYPE	STD PKG.
<b>Rectangular Light Kits For 75-150 Watt Par 38 Lamps</b>				
5883-5	Gray	Box, cover, photocell & (2) lampholders	Boxed	4
5883-6	White	Box, cover, photocell & (2) lampholders	Boxed	4
5818-5	Gray	Box, cover & (2) lampholders	Boxed	4
5818-6	White	Box, cover & (2) lampholders	Boxed	4



### APPLICATION

For general use in wet, damp, or dry locations.

### PRODUCT FEATURES

- Each kit is a complete weatherproof installation — no need to purchase separate components
- Each kit includes easy-to-follow multi-lingual instructions
- All kit components are described in the preceding pages

### COMPLIANCES

-  – Standard 1598
-  – Certified C22.2 No. 18



5829-5 to 5829-6



5876-5 to 5876-6

CATALOGUE NUMBER	COLOUR	DESCRIPTION	PKG. TYPE	STD. PKG.
<b>4" Round Light Kits For 75-150 Watt Par 38 Lamps</b>				
5829-5	Gray	Box, cover & (2) lampholders	Boxed	4
5829-6	White	Box, cover & (2) lampholders	Boxed	4
5876-5	Gray	Box, cover & (2) architectural lampholders	Boxed	4
5876-6	White	Box, cover & (2) architectural lampholders	Boxed	4

**APPLICATION**

For accent lighting along walkways, driveways, terraces, porches and garden areas.

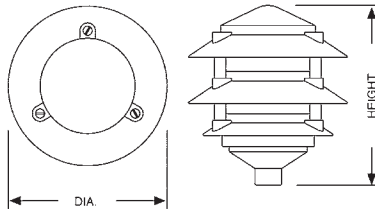
**PRODUCT FEATURES**

- Rugged die cast construction
- State-of-the-art powder coat finish provides maximum weatherability and scratch-resistance
- Includes screw-in clear glass globe, wire connectors, gasket, and multi-lingual instructions
- Three-tier lights accept 40W maximum lamps
- Four-tier lights accept 60W maximum lamps

**COMPLIANCES**



CAT. NO. 5884-8



5884-8



5893-8

CATALOGUE NUMBER	COLOUR	DESCRIPTION	PKG. TYPE	STD. PKG.
Incandescent Type Threaded 1/2" Npt - 18" Leads				
5884-8	Green	3-Tier	Box	2
5893-8	Green	4-Tier	Box	2

CATALOGUE NUMBER	DIA.	HEIGHT
5884-8	6"	7"
5893-8	6"	8-3/4"

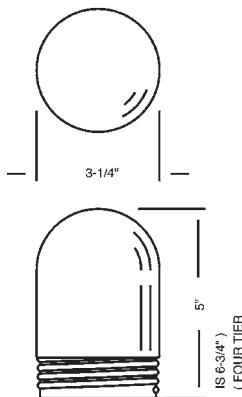
# REPLACEMENT GLOBES

**REPLACEMENT GLOBES**

**APPLICATION**

For use with Bell® garden lights.

**REPLACEMENT GLOBE**



5694-0



5695-0

CATALOGUE NUMBER	COLOUR	DESCRIPTION	PKG. TYPE	STD. PKG.
Replacement Globes For Garden Lights				
5694-0	Clear	For 3-tier	Carton	4
5695-0	Clear	For 4-tier	Carton	4

# ACCESSORIES

## Closure Plugs

### CLOSURE PLUGS APPLICATION

For use with Bell® weatherproof boxes, extension adapters, cluster covers and round splice boxes to seal off unused outlets

### CLOSURE PLUGS PRODUCT FEATURES

- Gray closure plugs are zinc die cast
- White and bronze closure plugs are nonmetallic



5269-0 to 5269-9  
5270-0 to 5270-9, 5271-0

CATALOGUE NUMBER	COLOUR	DESCRIPTION	PKG. TYPE	STD. PKG.
<b>Closure Plugs</b>				
5269-0	Gray	1/2" NPT	75 Polybags of 4	75 bags
5269-1	White	1/2" NPT	75 Polybags of 4	75 bags
5269-2	Bronze	1/2" NPT	75 Polybags of 4	75 bags
5269-5	Gray	1/2" NPT	12 Cards of 3	12 cards
5269-6	White	1/2" NPT	12 Cards of 3	12 cards
5269-7	Bronze	1/2" NPT	12 Cards of 3	12 cards
5269-9	Gray	1/2" NPT	Bulk	1000
5270-0	Gray	3/4" NPT	75 Polybags of 4	75 bags
5270-5	Gray	3/4" NPT	12 Cards of 3	12 cards
5270-9	Gray	3/4" NPT	Bulk	1000
5271-0	Gray	1" NPT	75 Polybags of 4	75 bags

d i t d d c g g t i t i o o t i c  
d i t d d c g c d t i t i o o t i c

# ACCESSORIES

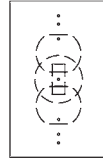
## Replacement Gaskets

**APPLICATION**

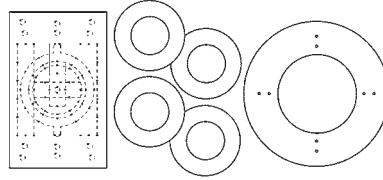
Replacement gaskets for Bell® weatherproof covers and lampholders.

**PRODUCT FEATURES**

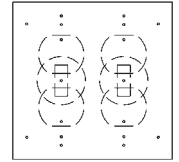
- Each gasket has cut outs for a toggle switch, duplex receptacle and 1.406" dia. round receptacle
- Remove the cut outs for the duplex and round receptacles for a GFCI receptacle opening



5019-0

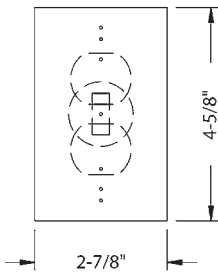


5017-0

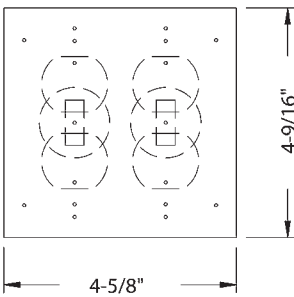


5020-0

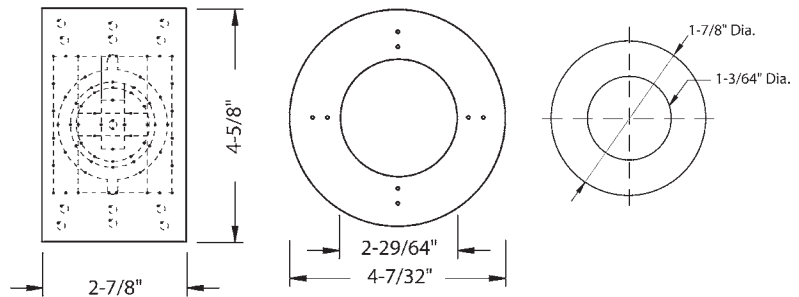
CAT. NO. 5019-0



CAT. NO. 5020-0



CAT. NO. 5017-0



CATALOGUE NUMBER	COLOUR	DESCRIPTION	PKG. TYPE	STD. PKG.
<b>Rectangular Box/Cover Gaskets</b>				
5019-0	Black	1-Gang	20 Cello bags of 2	20
5020-0	Black	2-Gang	20 Cello bags of 2	20
5017-0	Black	1 Gang cover gasket, 4 Lampholder gaskets & 1 Round cover gasket	20 Cello bags	20