



## LT7 Modular SignaLight Series

- Features**
- 70mm diameter
  - Stackable/modular
  - Ultra-bright LED in 5 colors:  
Red, amber/yellow, green, blue, clear/white
  - 24VDC or 90~250VAC
  - Steady or flashing light with sound alarm available
  - Lenses are made from heat and shock resistant polycarbonate
  - Color-coded wiring terminals (spring clamp connections)
  - IP65 Environmental Protection



Innovative LED technology combined with a 5-color, modular-style assembly; make these towers a snap to use. It's easy to make changes and modify LED-combinations even after you have the LT7s installed on your machine.



And, with IP65 environmental protection and many available options, the LT7 truly does have it all. Including intense illumination of lens colors so reliable they can last over 50 times longer than conventional incandescent bulbs.

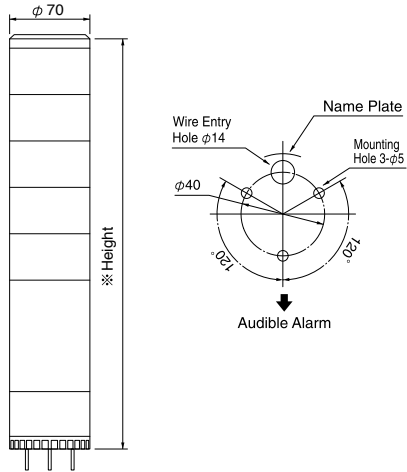
### Specifications

		LT7B-D24	LT7B-D24FB		LT7B-A250	LT7B-A250FB	
Base Unit	Function	Steady	Flashing		Steady	Flashing	
	Rated Voltage	24VDC			90~250VAC (50/60Hz)		
	Operating Voltage	Rated voltage $\pm 10\%$ (21.6~26.4V)			90~250VAC (50/60Hz)		
	Alarm	—	*Alarm1	**Alarm2	—	*Alarm1	**Alarm2
	Current Consumption	—	50 $\pm 10$ mA	24 $\pm 10$ mA	—	50 $\pm 10$ mA	24 $\pm 10$ mA
	Power Consumption	—	1.2 $\pm 0.25$ W	0.58 $\pm 0.25$ W	—	1.8 $\pm 0.25$ W	1.3 $\pm 0.25$ W
	Alarm Sound Level	—	Max: 90 $\pm 5$ dB (at 1m) Min: 70dB or Less (at 1 m)		—	Max: 90 $\pm 5$ dB (at 1m) Min: 70dB or Less (at 1 m)	
	Flashing Cycle	—	60 $\pm 12$ flashes per minute		—	60 $\pm 12$ flashes per minute	
	Operating Temperature Range	-30°C ~ +60°C			-25°C ~ +55°C		
	Mounting Direction	Upright, indoor only			Upright, indoor only		
	Protection Rating	IP65			IP65		
	Weight	250g	280g		310g	340g	

\*Continuous \*\*Intermittent

		LT7A-R	LT7A-Y	LT7A-G	LT7A-S	LT7A-C
LED Unit	LED Unit Color	Red	Amber/Yellow	Green	Blue	Clear/White
	Current/Power	52mA/1.25W		42mA/1.0W		
	Operating Temperature Range	-30°C ~ +60°C				
	Weight	60g				

## Height/Mounting Hole Dimensions

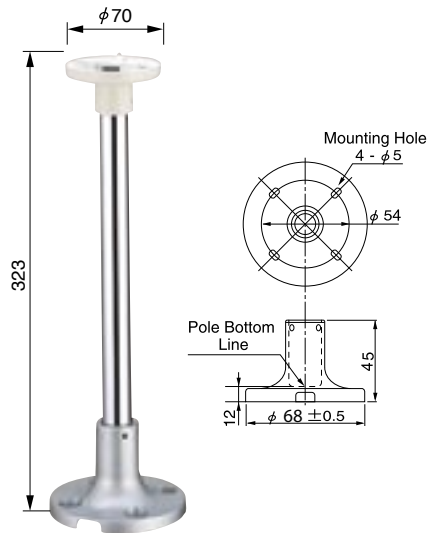


※Height(mm)	
1Light	: 211
2Lights	: 252
3Lights	: 293
4Lights	: 334
5Lights	: 375

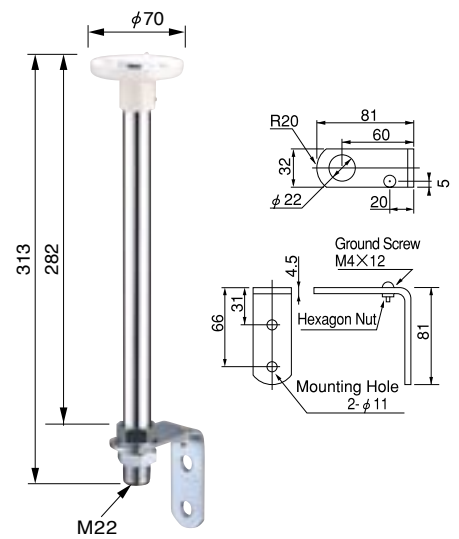
\*Dimensions in mm

## Mounting Accessory Dimensions

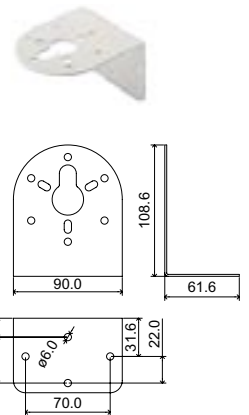
### Part #LT9Z-7T



### Part #LT9Z-7L

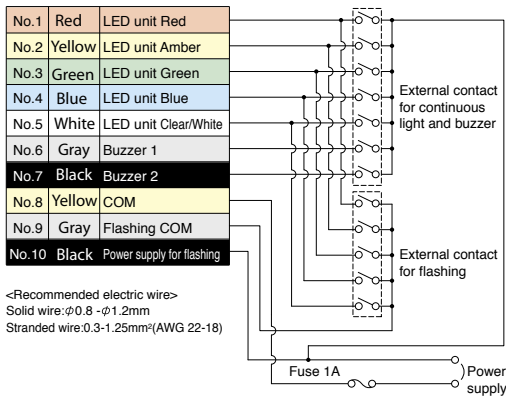


### Part #LT9Z-SZ007

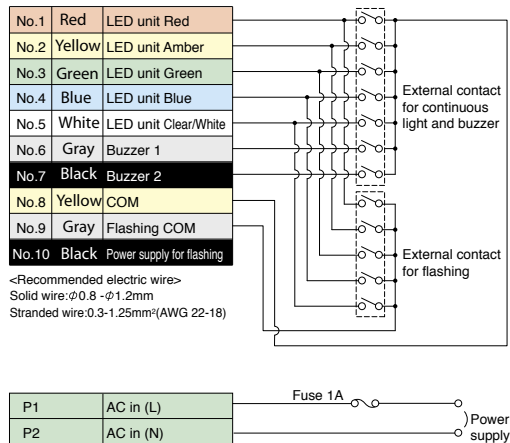


## Wiring Specifications

### 24VDC



### 90-250VAC



For more information  
on the LT7 and other  
IDEC SignalLight towers, visit:  
[www.idec.com/signalight](http://www.idec.com/signalight)

For additional information,  
call IDEC at: 800-262-IDEC (4332)  
1175 Elko Drive • Sunnyvale, CA 94089  
Fax: 408-745-5258 • [www.idec.com](http://www.idec.com)

©2005 IDEC Corporation. All Rights Reserved.

Part #LT9Y-DS100-0  
Quantity: 10,000

Part Number	Accessory
LT9Z-7L	Mounting Pole w/L Bracket
LT9Z-7T	Mounting Pole w/Base
LT9Z-SZ007	L Bracket for Vertical-Surface Mounting
LT9Z-HCLT7	Replacement Top Cap
LT9Z-ORINGLT7	Replacement Lens Gasket
LT9Z-M4NUTSLT7	Replacement Mounting Nuts