

BALDOR® • ***RELIANCE***

Product Information Packet

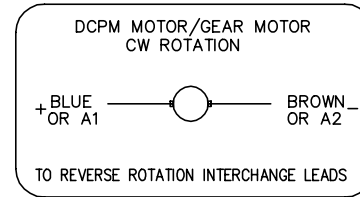
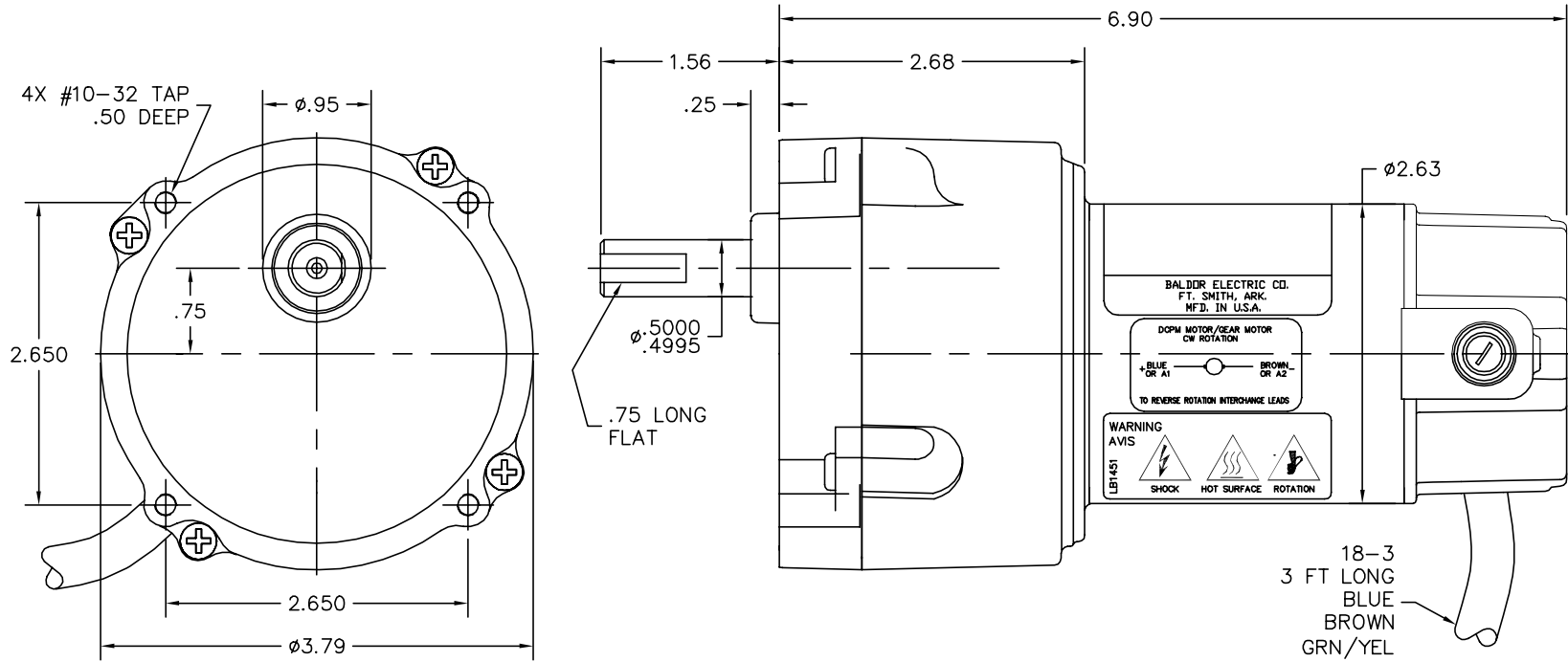
GPP232110

G.M. R14NA 90V DC 19 RPM 90:1

Part Detail							
Revision:	AB	Status:	PRD/A	Change #:		Proprietary:	No
Type:	DC	Prod. Type:		Elec. Spec:	23WGZ002	CD Diagram:	CD1899
Enclosure:	TENV	Mfg Plant:		Mech. Spec:		Layout:	23A276Z002G1
Frame:	PSSH	Mounting:		Poles:	///	Created Date:	
Base:		Rotation:	R	Insulation:	F	Eff. Date:	06-26-2015
Field Type:		Literature:		Elec. Diagram:		Replaced By:	

Nameplate NP1220A08			
CAT.NO.	GPP232110		
SER.NO.			
SPEC.	23A276Z002G1		
FRAME	PSSH	TYPE	2314P
HP	1/21	TE	
VOLTS	90DC		
AMP	.57		
F.F.	1.35	CLASS	F
AMB.	40	DUTY	CONT
BRUSHES	2/BP5060BD02		
R.P.M.	19		
TORQ/IN LB	118		
RATIO	90:1		
APRV-CE		APRV-CUL	

23A276Z002G1



CUSTOMER IS RESPONSIBLE FOR DETERMINING THAT BALDOR'S PRODUCT WILL PERFORM SUITABLY IN THE INTENDED APPLICATION.

REV. DESC: ADD LB1451		
REV. LTR: F	VERSION: 06	TDR: 000000717003
FILE: \CKA\00022\478	REVISED: 02:33:25 10/17/2011	
MTL: -	BY: CKAPRBO	

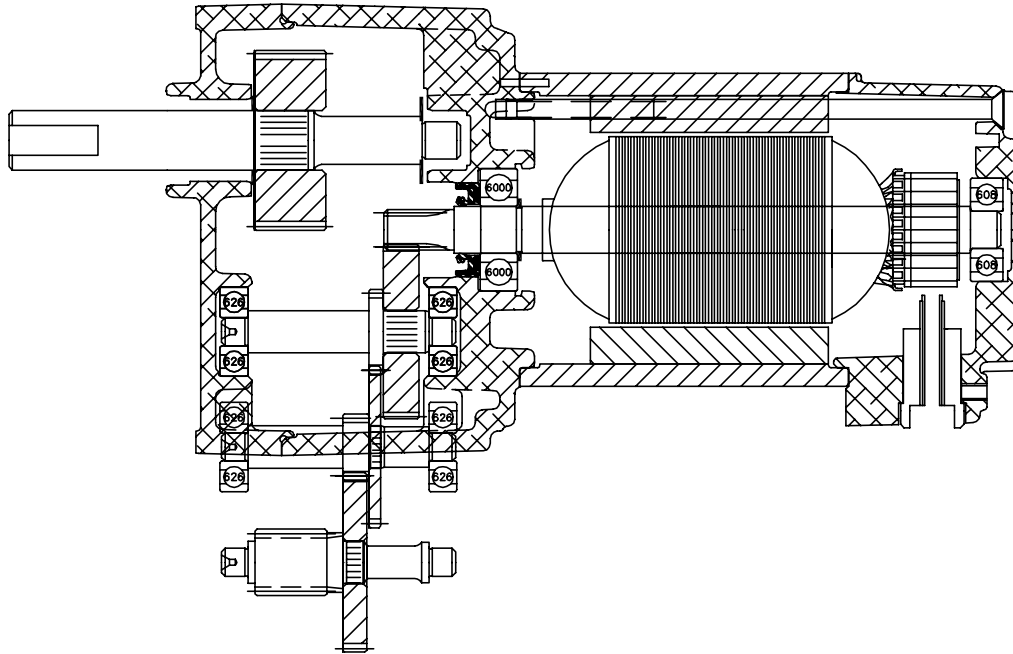
BALDOR • DODGE • RELIANCE

LY,23DC PSSH DOM TENV .50X1.56 EXT W/FLAT

SH 1 of 2

23A276Z002G1

23A276Z002G1



23A276Z002G1

CUSTOMER IS RESPONSIBLE FOR DETERMINING THAT BALDOR'S PRODUCT WILL PERFORM SUITABLY IN THE INTENDED APPLICATION.

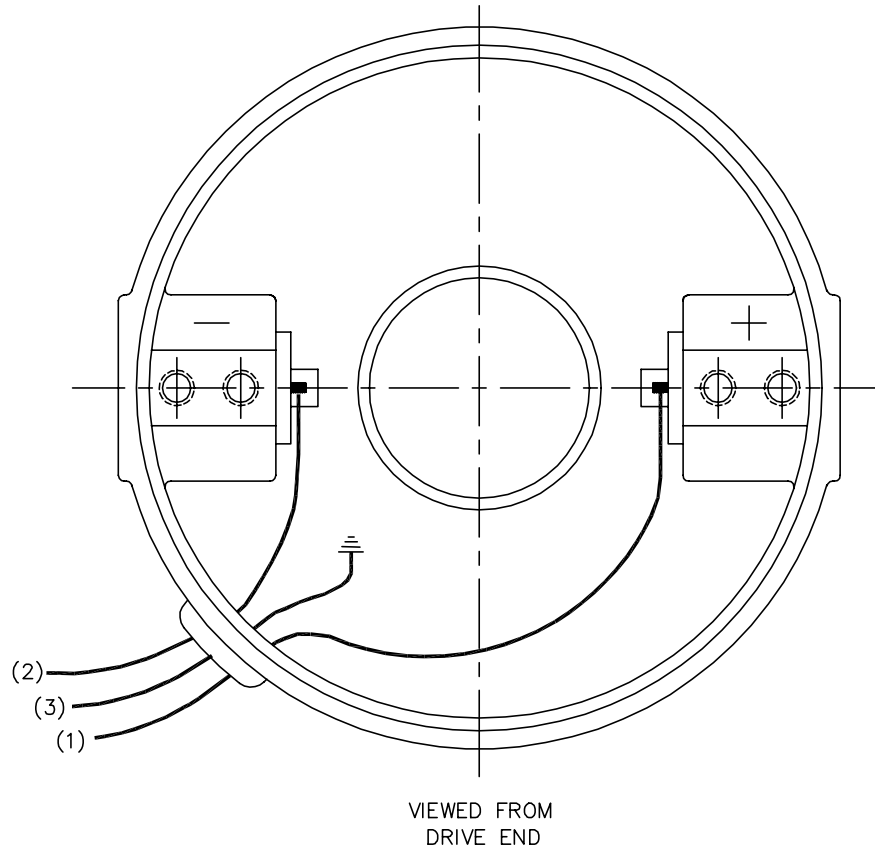
REV. DESC: ADD LB1451		TDR: 000000717003	
REV. LTR: F	VERSION: 06	REVISD: 02: 33: 25 10/17/2011	
FILE: \CKA\00022\478		BY: CKAPRBO	
MTL: -			

BALDOR • DODGE • RELIANCE

LY,23DC PSSH DOM TENV .50X1.56 EXT W/FLAT

SH 2 of 2

CD1899



(1) COLOR MAY BE
RED
WHT
BLU

(2) COLOR MAY BE
BLK
BRN

(3) COLOR WHEN REQ.
GRN
GRN/YEL

VIEDED FROM
DRIVE END

REV. DESC: NEW			
REV. LTR: -	BY: PAW	REVISED: 09:06:34 09/16/2004	TDR: 341564
668100		FILE: CKA00025830	REF: CD1899
		MTL: -	

BALDOR ELECTRIC Co.

PM,2LD,REV,TANG,CK

CD1899