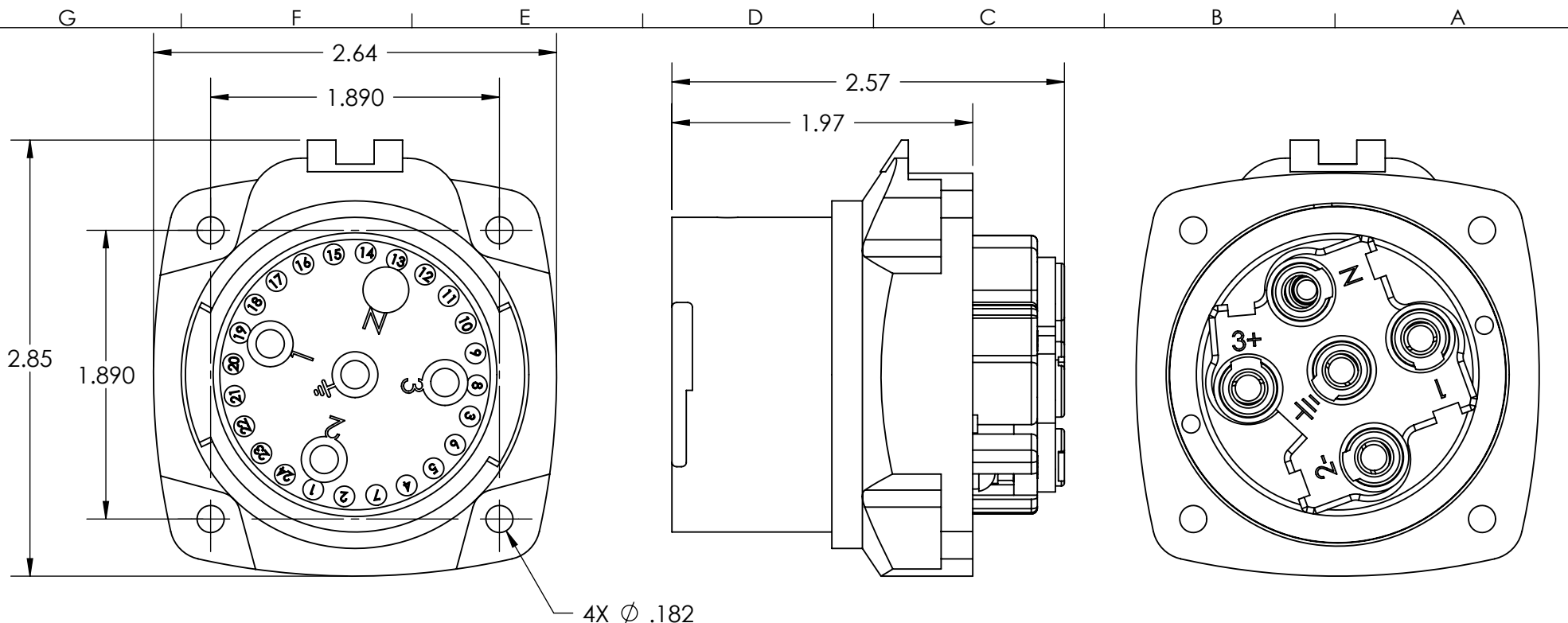
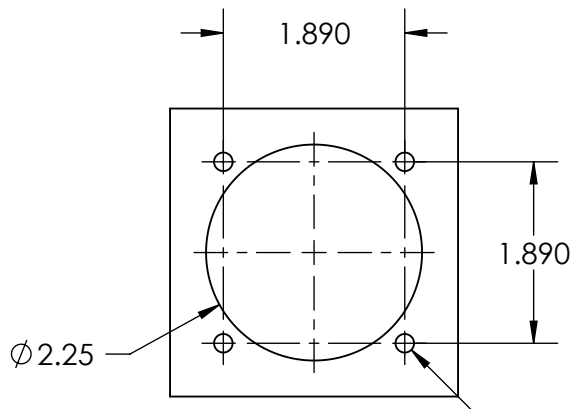


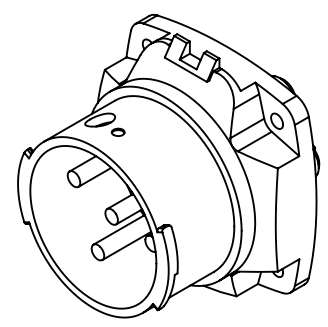
This drawing is the property of MELTRIC Corporation, Franklin (Milwaukee), Wisconsin, USA. Any unauthorized copying of this drawing by any means, ENG/RD/06 REV: 20 ISSUED DATE: 1/15/11 or disclosure of its contents to any person not authorized by MELTRIC Corporation or its agents to receive it, is strictly prohibited.

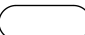


4X ϕ .182



ENTRY HOLE PATTERN
 4X ϕ .194
 (CLEARANCE FOR 8-32 HARDWARE)



TOLERANCES UNLESS OTHERWISE SPECIFIED		MELTRIC CORPORATION	
MACHINED SURFACES $\sqrt[125]{\text{MAX}}$	ENGLISH 0.X ± 0.05 0.XX ± 0.01 0.XXX ± 0.005	DRAWN	APPROVED
GROUND SURFACES $\sqrt[32]{\text{MAX}}$		DRAWING TITLE: DSN30 INLET	
ANGLE TOLERANCE $\pm 1^\circ$		DATE:	SCALE NTS
REMOVE BURRS & SHARP EDGES TO .015 MAX.		SHEET: 1 OF 1	PART NUMBER 63-38xxx
 DIMENSIONS SHOWN IN OVALS ARE INSPECTION DIMENSIONS.			REVISION