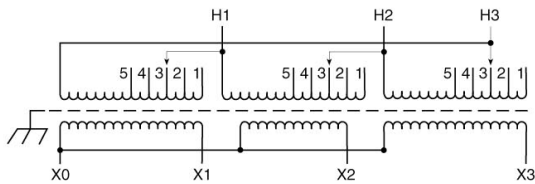
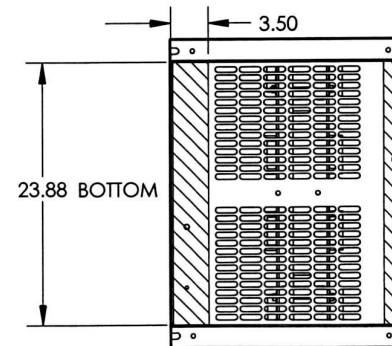
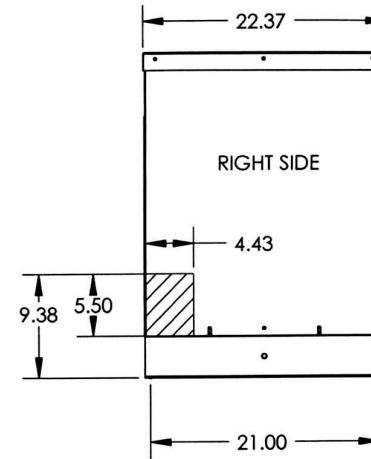
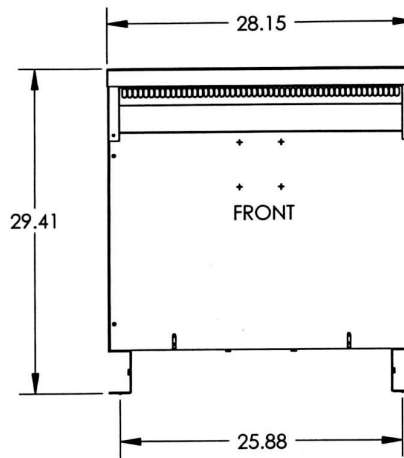


# Revisions



| Primary Volts | %     | Connect Leads to Tap No. |
|---------------|-------|--------------------------|
| 483           | 105   | 1                        |
| 472           | 102.5 | 2                        |
| 460           | 100   | 3                        |
| 449           | 97.5  | 4                        |
| 437           | 95    | 5                        |

| Secondary Volts |  |                               |
|-----------------|--|-------------------------------|
| 460             |  | X1, X2, X3                    |
| 266             |  | X1 & X0<br>X2 & X0<br>X3 & X0 |
| 1 phase         |  |                               |



KEY: DENOTES CONDUIT AREAS

NOTE: PRIMARY AND SECONDARY BUS AREA IN FRONT OF CASE.



Type No.

DRAWN:

**CASE 2**

| KVA | CATALOG NUMBER     | VOLTAGE |          | WEATHER SHIELD | WEIGHT  | PHASE | FREQ. |
|-----|--------------------|---------|----------|----------------|---------|-------|-------|
|     |                    | HIGH    | LOW      |                |         |       |       |
| 51  | <b>DTGB-051-4S</b> | 460Δ    | 460Y/266 | WS-A-2         | 468 Lbs | 3φ    | 60 Hz |

|               |       |
|---------------|-------|
| Winding Rise: | 150°C |
| Insulation:   | 220°C |
| Sound Level:  | 50db  |

### TYPICAL PERFORMANCE DATA

|                       |        |
|-----------------------|--------|
| Regulation @ 100% PF: |        |
| Standards:            | UL/CSA |

|            |       |
|------------|-------|
| Windings:  | AL    |
| Impedance: | 4.40% |

|                     |  |
|---------------------|--|
| Typical Efficiency: |  |
| No Load Losses:     |  |
| Full Load Losses:   |  |

Control  
7

**A**

DATE: November 26, 2012