



Round & Oval Heavy-Duty Connectors

 **COOPER** Interconnect



Solutions
You Can Trust



Table of Contents

Introduction	3
Round Connectors	4
Round Receptacle Parts	9
Oval Connectors	10
Oval Receptacle Parts	14



Cooper Interconnect offers a family of heavy-duty connectors for quick disconnect power and control applications.

Our Round Connectors are compact, multi-pole connectors that supply control circuitry from panel to operating mechanism. Plugs are held firmly in place by spring loaded caps on receptacles.

Our Oval Connectors supply power to portable equipment on job sites, offering weather-tight and dust-tight protection. Strain relief chains allow easy removal and replacement of electro-magnets.

Typical Applications

Round Connectors

Control Circuitry	Lighting
Generators	Portable Tools
Test Stands	Pumps
Railroad	Conveyors
Welders	Instrumentation
Motors	

Oval Connectors

Electro-Magnets	Conveyors
Power Distribution	Temporary Power
Runout Table Motors	Lighting
Welding Power	Motor Disconnects
Portable Tools	

Electrical Parameters 1 to 26 Contacts #18 AWG through #4/0 AWG Conductors. Up to 600 Volts 150 Amps (multipole); 5,000 Volts; 235 Amps (single pole).

A broad line of tough, compact, molded-to-cable connectors for a wide range of power and control applications that require a quick disconnect. The complete line includes male and female plugs and mating receptacles, both with and without protective caps. All connections over four contacts are polarized for positive mating. Male and female plugs are available in various standard cable lengths.

Withstands Physical Abuse

Will not distort or shatter when subjected to high impact or rough handling. Conductor terminations are protected by molded-in strain reliefs. No fraying and loosening as a result of sudden jerks or pulls on the cable. Male pins and female sockets are firmly bonded to resilient neoprene and cannot loosen or fall out.

Sealed Against Water, Dust Contaminants

When the male and female assemblies are joined, the resilient shroud of one tightly encloses the other. The result is a completely sealed connection. Since the plug is molded to the cable, leakage at the cable junction is prevented.

Corrosion Resistant

Specially formulated neoprene compounds are highly resistant to the deteriorative affects of oil, dust, acids and sunlight.

Safe, Trim and Easy to Handle

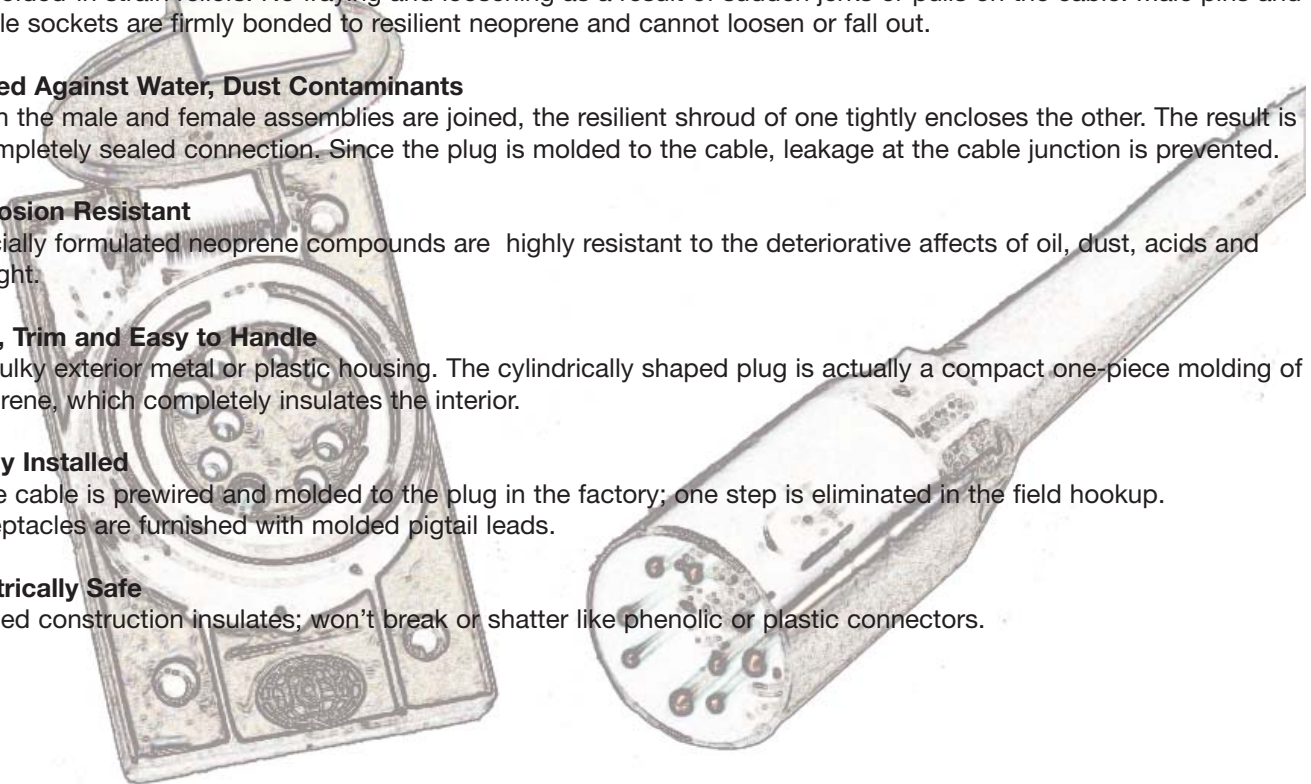
No bulky exterior metal or plastic housing. The cylindrically shaped plug is actually a compact one-piece molding of neoprene, which completely insulates the interior.

Easily Installed

Since cable is prewired and molded to the plug in the factory; one step is eliminated in the field hookup. Receptacles are furnished with molded pigtail leads.

Electrically Safe

Molded construction insulates; won't break or shatter like phenolic or plastic connectors.



Round Connectors



PLUG

RECEPTACLE

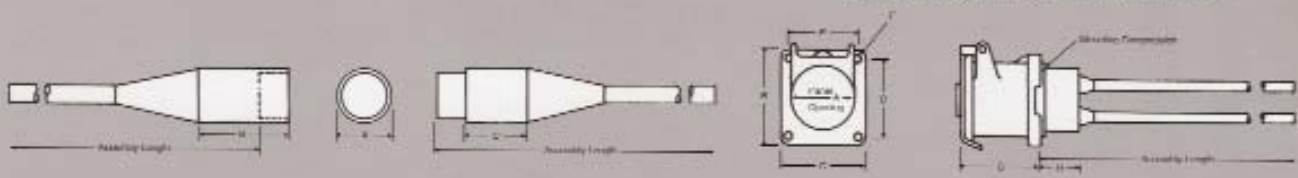
ELECTRICAL DATA				DESCRIPTION	DIMENSIONS (Approx. inches)			PLUG PART NUMBERS			RECEPTACLE PART NUMBERS				Assy. Length Single Cond. Pigtail	DIMENSIONS (Approx. inches)										
No. of Cond.	CABLE AWG	Type	Max. Cable Rating Amp Volt		Polarized By	Type of Seal	A	B	C	Assy. Lgth.	Male	Female	WITHOUT COVER			WITH COVER		A	B	C	D	E	F	G	H	
SINGLE POLE																										
1	18	Non.	7 600	Non-Polarized	Fem. Shroud	1/4	3/8	1 1/4	18"	XR372-12	XR372-2															
									6"	XU3/2-162	XR372-164															
									10"	XR372-163	XR372-165															
1	10	SO	25 600	Non-Polarized	Fem. Shroud	3/8	2 1/4	2 1/4	18"	X8000-1	X8000-2						Term. Rack	3/4	1 1/4	1 1/4	1 1/4	1 1/4	3/4	2 1/4	3/4	
									10"	X8000-44	X8000-46															
1	8	Motor Lead	45 600	Non-Polarized	Fem. Shroud	1/4	3	3 1/2	18"	XR001-1	XR001-2						Term. Rack	1/4	1 1/4	1 1/4	1 1/4	1 1/4	1/4	2 1/4	1/4	
									10"	X0001-34	X0001-36															
1	6	Motor Load	60 600	Non-Polarized	Fem. Shroud	1	2 1/4	2 1/4	18"	XR002-1	XR002-2						Term. Back	1	1 1/4	1 1/4	1 1/4	1 1/4	1/4	3 1/4	1 1/4	
									10"	XR002-34	XR002-36															
1	2	5000 Volt	110 5000	Non-Polarized	Fem. Shroud	1 1/2	5 1/4	5 1/4	24"	XR009-1	XR009-2															
1	1	5000 Volt	100 5000	Non-Polarized	Fem. Shroud	1 1/2	5	6 1/2	24"	XR010-1	XR010-4															
1	20	Motor Load	175 600	Non-Polarized	Fem. Shroud	1 1/4	5 1/4	7	24"	XR006-1	XR006-2						Term. Back	1 1/4	2 1/4	2 1/4	2 1/4	2 1/4	1/4	7	2 1/4	
									10"	XR006-45	XR006-47															
1	20	5000 Volt	175 5000	Non-Polarized	Fem. Shroud	1 1/4	5 1/4	7 1/4	24"	XR011-1	XR011-2															
1	10	Motor Lead	235 600	Non-Polarized	Fem. Shroud	1 1/4	5 1/4	7 1/4	24"	XR007-2	XR007-1						Term. Back	1 1/4	3 1/4	3 1/4	2 1/4	2 1/4	1/4	7 1/4	2 1/4	
									10"	XR007-58	XR007-60															
TWO POLE																										
2	16	SJO	10 300	Pin Size	Full Male Shroud	1/4	1 1/4	1 1/4	28"	XB104-1	XB104-2						14"	1/4	1 1/4	1 1/4	1 1/4	1 1/4	1/4	1 1/4	1/4	
									10"	XB104-365	XU104-367															
2	14	SO	15 600	Pin Size	Fem. Shroud	1	3/4	1 1/4	28"	XB083-1	XB083-2															
									10"	XB083-26	XU083-28															
2	14	SO	15 600	Non-Polarized	Fem. Shroud	1	1 1/4	2	28"	XB079-1	XB079-2						Term. Back	1	1 1/4	1 1/4	1 1/4	1 1/4	1/4	1 1/4	1/4	
									10"	XB079-56	XB079-57															
2	12	SO	20 600	Pin Size	Fem. Shroud	1 1/4	2 1/4	3 1/4	28"	XB437-33	XU437-32															
									10"	XB437-50	XB437-51															
2	12	SO	20 600	Pin Size	Fem. Shroud	1	3/4	1 1/4	28"	XB405-163	XU405-166															
									10"	XB405-165	XU405-168															

NOTE: Refer to price list for identification of stock items.

*Cable rating based on conductor temperature of 60°C and maximum ambient temperature of 40°C.

**Cable lengths are subject to standard Crouse-Hinds tolerances.

Round Connectors



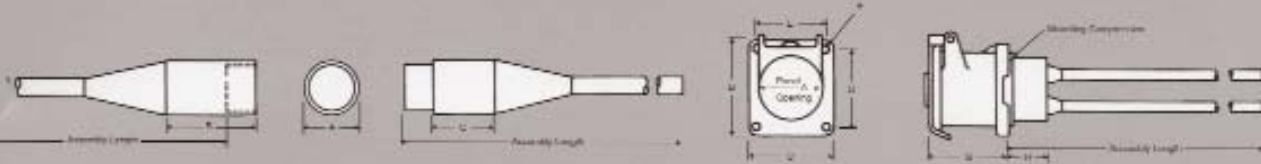
PLUG

RECEPTACLE

ELECTRICAL DATA				DESCRIPTION		DIMENSIONS (Approx. inches)			PLUG PART NUMBERS			RECEPTACLE PART NUMBERS				Assy. Length Single Cond. Pigtail	DIMENSIONS (Approx. inches)							
No. of Cont.	CABLE AWG	Type	Max. Cable Rating Amp Volt	Polarized By	Type of Seal	A	B	C	Assy. Lgth.	Male	Female	WITHOUT COVER		WITH COVER			A	B	C	D	E	F	G	H
												Male	Female	Male	Female									
THREE POLE																								
3	18	SO	7 600	Pin Size	Full Male Shroud	1%	2%	1%	21"	X8034-6	X8034-5					14"	1%	1%	1%	1%	1%	1%	1%	1%
									10"	X8034-52	X8034-54	X8034-6	X8034-7											
3	18	SO	10 600	Pin Size	Full Male Shroud	1 1/4"	2 1/4"	2 1/4"	28"	X8107-1	X8107-7					Term. Back	X8107-16	X8107-12						
									10"	X8107-113	X8107-115													
3	14	SO	15 600	Pin Size	Full Male Shroud	1 1/4"	2 1/4"	1 1/4"	28"	X8108-3	X8108-1					Term. Back	X8108-8	X8108-8						
									10"	X8108-107	X8108-109	X8108-8	X8108-8											
3	12	SO	20 600	Central Key	Full Male Shroud	1 1/4"	2 1/4"	2"	28"	X8118-1	X8118-4						X8118-11	X8118-22						
									10"	X8118-63	X8118-65													
FOUR POLE																								
4	18	SO	5 600	Pin Size	Fem. Shroud	1 1/4"	1 1/4"	2"	28"	X8086-3	X8086-4					14"	1 1/4"	1 1/4"	1 1/4"	1 1/4"	1 1/4"	1 1/4"	1 1/4"	1 1/4"
									10"	X8086-27	X8086-29	X8086-14	X8086-8											
4	16	SJO	8 300	Pin Size	Full Male Shroud	1 1/4"	1 1/4"	1 1/4"	28"	X8109-9	X8109-10					14"	1 1/4"	1 1/4"	1 1/4"	1 1/4"	1 1/4"	1 1/4"	1 1/4"	1 1/4"
									10"	X8108-145	X8109-147	X8109-22	X8109-23											
4	16	SO	5 600	Central Key	Full Male Shroud	1 1/4"	1 1/4"	1 1/4"	20"	X8120-5	X8120-5						X8120-17	X8120-18						
									10"	X8120-35	X8120-37													
4	12	SO	18 600	Pin Size	Fem. Shroud	1 1/4"	1 1/4"	2 1/4"	28"	X8510-1	X8510-7						X8100-7	X8100-6						
									10"	X8510-99	X8510-101													
4	12	SO	16 600	Central Key	Full Male Shroud	1 1/4"	2 1/4"	1 1/4"	28"	X8121-25	X8121-24						X8121-11	X8121-7						
									6"	X8121-32	X8121-31													
									10"	X8121-74	X8121-76													
4	10	SO	20 600	Central Key	Fem. Shroud	1 1/4"	1 1/4"	3"	28"	X8092-1	X8092-2						X8092-9	X8092-6						
									10"	X8092-50	X8092-52													
4	10	SO	20 600	Central Key	Full Male Shroud	1 1/4"	3"	2"	28"	X8122-1	X8122-2						X8122-19	X8122-18						
									10"	X8122-38	X8122-40													
4	8	W	30 600	Central Key	Full Male Shroud	2 1/4"	2 1/4"	2 1/4"	30"	X8123-5	X8123-3						X8123-4	X8123-2						
									10"	X8123-48	X8123-48													
4	8	W	40 600	Pin Size	Full Male Shroud	2 1/4"	3 1/4"	2 1/4"	45"	X8110-5	X8110-7						X8110-16	X8110-15						
									10"	X8110-117	X8110-73													

NOTE: Refer to price list for identification of stock items.

Round Connectors

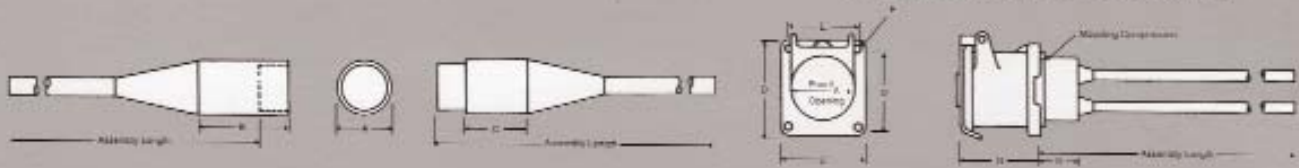


PLUG

RECEPTACLE

ELECTRICAL DATA				DESCRIPTION		DIMENSIONS (Approx. Inches)			PLUG PART NUMBERS			RECEPTACLE PART NUMBERS				Assy. Length Single Cond. Pigtail	DIMENSIONS (Approx. Inches)									
No. of Cont.	CABLE AWG	Type	Max. Cable Rating Amp Volt	Polarized By	Type of Seal	A	B	C	Assy. Lgth.	Male	Female	WITHOUT COVER		WITH COVER			A	B	C	D	E	F	G	H		
FOUR POLE																										
4	2	W	75	600	Pin Size	Full Male Shroud	2 1/4	5 1/2	3 1/4	24"	X8728-4	X8729-3			X8728-24	20"	2 1/4	4	4	3 1/4	3 1/4	1/2	4 1/2	1 1/4		
4	4/0	—	100	600	None	Full Male Shroud	4 1/2	13	13	Field Attach	X1806-71	X1806-70			X1806 110 X1806 91 (1/0 AWG)	20"	3 1/4	4 1/4	4 1/4	3 1/4	3 1/4	1/2	4 1/2	1 1/4		
			180												X1806 387 X1806 331 (4/0 AWG)	24"	3 1/4	4 1/4	4 1/4	3 1/4	3 1/4	1/2	4 1/2	1 1/4		
FIVE POLE																										
5	18	SO	5	600	Pin Size	Ham. Shroud	1 1/2	1 1/2	2 1/2	28"	X8088-5	X8088-1			X8088 11	X8088 9	14"	1 1/2	2	2	1 1/2	1 1/2	1/2	2 1/2	1/4	
5	14	SO	12	600	Pin Size	Full Male Shroud	1 1/2	2 1/4	1 1/4	25"	X8112-11	X8112-10			X8112 21	X8112 24	14"	1 1/2	2	2	1 1/2	1 1/2	1/2	2 1/2	1/4	
5	12	SO	16	600	Pin Size	Full Male Shroud	1 1/2	2 1/2	2	28"	X8701-4	X8701-3			X8701-8	X8701-7	14"	1 1/2	2	2	1 1/2	1 1/2	1/2	2 1/2	1/4	
5	12	SO	16	600	Central Key	Full Male Shroud	1 1/2	2 1/4	1 1/4	28"	X8125-3	X8125-6			X8125-10	X8125-1	14"	1 1/2	2 1/4	2 1/4	2	1 1/2	1/2	2 1/2	1	
SIX POLE																										
6	16	SO	8	600	Pin Size	Full Male Shroud	1 1/2	2	1 1/4	28"	X8113-1	X8113-2			X8113-27	X8113-1	14"	1 1/2	2	2	1 1/2	1 1/2	1/2	2 1/2	1/4	
6	14	SO	12	600	Pin Size	Full Male Shroud	1 1/2	2 1/4	2 1/4	28"	X8114 12	X8114 4			X8114-14	X8114-10	14"	1 1/2	2	2	1 1/2	1 1/2	1/2	2 1/2	1/4	
6	12	SO	16	600	Central Key	Full Male Shroud	1 1/2	2 1/4	1 1/4	28"	X8127 12	X8127 9			X8127 6	X8127 7	14"	1 1/2	2 1/4	2 1/4	2	1 1/2	1/2	2 1/2	1/4	
6	12	SO	16	600	Central Key	Full Male Shroud	1 1/2	3 1/4	2 1/4	28"	X8128 41	X8128 40	X8128 40	X8128 39			14"	1 1/2	2 1/4	2 1/4	2	1 1/2	1/2	1 1/2	1 1/4	
6	8	W	25	600	Central Key	Full Male Shroud	2 1/2	2 1/4	2	30"	X8566-1	X8566-3	X8566 6	X8566 5			14"	2 1/2	3 1/4	3 1/4	2 1/4	2 1/4	1/2	2 1/2	1	
SEVEN POLE																										
7	14	SO	11	600	Pin Size	Full Male Shroud	1 1/2	2 1/4	1 1/4	26"	X8116-13	X8116-11			X8116 6	X8116 7	14"	No Cover	1 1/2	2 1/4	2 1/4	2	2	1/2	1	1/4
																	14"	Cover	1 1/2	2 1/4	2 1/4	2	1 1/2	1/2	2 1/2	1/4

Round Connectors



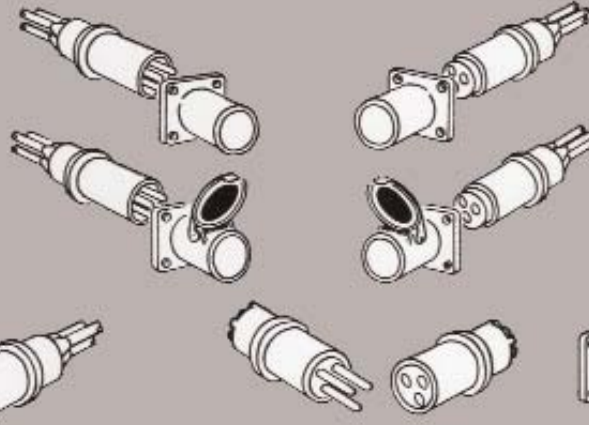
PLUG

RECEPTACLE

ELECTRICAL DATA				DESCRIPTION		DIMENSIONS (Approx. Inches)			PLUG PART NUMBERS			RECEPTACLE PART NUMBERS				Assy. Length Single Cond. Pigtail	DIMENSIONS (Approx. Inches)									
No. of Cont.	CABLE AWG	Type	Max Cable Rating Amp Volt	Polarized By	Type of Seal	A	B	C	Assy Lgth.	Male	Female	WITHOUT COVER		WITH COVER			A	B	C	D	E	F	G	H		
SEVEN POLE																										
7	10	SD	18	600	Control Key	Fem. Shroud	2 1/4	3 1/4	4 1/4	20"	X8093-9	X8093-6			X8093-10	X8093-7	12"	2 1/4	3 1/4	3 1/4	2 1/4	2 1/4	1 1/4	2 1/4	1	
									10"	X8093-40	X8093-40															
EIGHT POLE																										
8	16	SD	5	600	Control Key	Full Male Shroud	1 1/4	1 1/4	1 1/4	28"	X8129-8	X8129-4			X8129-10	X8129-6	14"	1 1/4	2	2	1 1/4	1 1/4	7/8	2 1/4	1/4	
									10"	X8129-27	X8129-29															
8	10	SD	18	600	Control Key	Fem. Shroud	2 1/4	3 1/4	4 1/4	28"	X8094-8	X8094-10			X8094-6	X8094-4	14"	2 1/4	3 1/4	3 1/4	2 1/4	2 1/4	1 1/4	2 1/4	1	
									10"	X8094-83	X8094-85															
NINE POLE																										
9	10	Control	18	600	Pin Size	Fem. Shroud	2 1/4	1 1/4	2 1/4	28"	X8091-15	X8091-14			X8091-10	X8091-16	14"	2 1/4	3 1/4	3 1/4	2 1/4	2 1/4	1 1/4	2 1/4	1	
									10"	X8091-31	X8091-33															
TEN POLE																										
10	10	Control	15	600	Control Key	Fem. Shroud	2 1/4	3 1/4	4 1/4	28"	X8097-13	X8097-12			X8097-17	X8097-16	14"	2 1/4	3 1/4	3 1/4	2 1/4	2 1/4	1 1/4	2 1/4	1	
									10"	X8097-74	X8097-76															
TWELVE POLE																										
12	16	Control	5	600	Control Key	Fem. Shroud	1 1/4	2 1/4	2 1/4	28"	X8100-4	X8100-5			X8100-7	X8100-6	14"	1 1/4	2 1/4	2 1/4	2	1 1/4	7/8	2 1/4	1 1/4	
									10"	X8100-39	X8100-34															
12	12	Control	20	600	Control Key	Fem. Shroud	2 1/4		4	20"		X8402-31				X8402-14		14"	2 1/4	3 1/4	3 1/4	2 1/4	2 1/4	1 1/4	2 1/4	1/4
									8"		X8402-2															
									10"		X8402-32															
12	10	Control	15	600	Control Key	Fem. Shroud	2 1/4	1 1/4	3 1/4	28"	X8101-12	X8101-27			X8101-28	X8101-11	14"	2 1/4	3 1/4	3 1/4	2 1/4	2 1/4	1 1/4	2 1/4	1/4	
									10"	X8101-127	X8101-129															
SIXTEEN POLE																										
16	12	Control	10	600	Control Key	Fem. Shroud	2	2 1/4	3	16"	X8431-29	X8431-8			X8431-12	X8431-22	20"	2 1/4	3 1/4	3 1/4	2 1/4	2 1/4	1 1/4	2 1/4	1/4	
									10"	X8431-115	X8431-117															
TWENTY POLE																										
20	16	Control	7	600	Control Key	Fem. Shroud	3	2 1/4	5	28"	X8753-0	X8753-1				X8753-28	17"	3	4	4	3 1/4	3 1/4	1 1/4	4 1/4	1 1/4	
TWENTY FOUR POLE																										
24	16	Control	7	600	Control Key	Fem. Shroud	3	2 1/4	3 1/4	24"	X8441-16	X8441-61			X8441-30	X8441-10	20"	3	4	4	3 1/4	3 1/4	1 1/4	4 1/4	1 1/4	
									10"	X8441-60	X8441-63															
TWENTY SIX POLE																										
26	14	Control	10	600	Body Index	Full Male Shroud	2 1/4	2 1/4		9"	X8905-4	X8005-18														
									12"	X8005-5					X8905-3		36"	2 1/4	3 1/4	3 1/4	2 1/4	2 1/4	1 1/4	2 1/4	1	
									18"	X8905-1																

NOTE: Refer to price list for identification of stock items.

To order parts: refer to illustration to identify part required. Locate reference part number (number to left of dash in complete part number) and follow across to correct column.



**EXPLODED VIEW
UNCOVERED
RECEPTACLES**

**EXPLODED VIEW
COVERED
RECEPTACLES**

REF. NO.	PIGTAIL INSERT		TERMINAL BACK INSERT		MOUNTING SHELL	
	MALE	FEMALE	MALE	FEMALE	WITHOUT CAP	WITH CAP
X1806	(#1/0)	X1806-112	X1806-62	—	—	X1675-4
X1806	(#4/0)	X1806-386	X1806-332	—	—	X1675-4
X8000	—	—	—	X8000-19	X8000-12	301425-1
X8001	—	—	—	X8001-15	X8001-9	300972-1
X8002	—	—	—	X8002-16	X8002-11	301474-1
X8006	—	—	—	X8006-16	X8006-15	302543-1
X8007	—	—	—	X8007-19	X8007-17	302512-1
X8079	—	—	—	X8079-8	X8079-18	301474-2
X8083	—	—	—	X8083-19	X8083-17	301474-2
X8086	X8086-6	X8086-7	—	—	300756	—
X8088	X8088-8	X8088-7	—	—	—	X1713-1
X8091	X8091-20	X8091-21	—	—	—	X1718
X8092	X8092-12	X8092-11	—	—	—	X1786
X8093	X8093-13	X8093-12	—	—	—	X1718
X8094	X8094-7	X8094-9	—	—	—	X1718
X8097	X8097-18	X8097-19	—	—	—	X1718
X8098	—	X8098-3	—	—	—	X1678
X8100	X8100-10	X8100-11	—	—	—	X1678
X8101	X8101-31	X8101-32	—	—	—	X1718
X8104	X8104-29	X8104-28	—	—	301425-2	—
X8107	—	—	X107-20	X107-18	—	X1713-1
X8108	—	—	X8108-12	X8108-10	301851-3	—
X8109	X8109-15	X8109-14	—	—	300756	—
X8110	X8110-19	X8110-18	—	—	—	X1718
X8112	X8112-22	X8112-23	—	—	—	X1713-1
X8113	X8113-20	X8113-17	—	—	—	X1713-1
X8114	X8114-6	X8114-16	—	—	—	X1713-1
X8116	X8116-10	X8116-15	—	—	—	X1678
X8118	X8118-13	X8118-23	—	—	—	X1678
X8120	X8120-8	X8120-7	—	—	—	X1781
X8121	X8121-23	X8121-22	—	—	—	X1678
X8122	X8122-20	X8122-21	—	—	304006	—
X8123	X8123-9	X8123-8	—	—	—	X1718
X8125	X8125-12	X8125-5	—	—	—	X1678
X8127	X8127-15	X8127-8	—	—	—	X1678
X8128	X8128-19	X8128-23	—	—	304006	—
X8129	X8129-13	X8129-12	—	—	—	X1781
X8402	X8402-15	—	—	—	—	X1718
X8431	X8431-24	X8431-34	—	—	—	X1718
X8437	X8437-40	X8437-41	—	X8437-17	—	X1713-1
X8441	X8441-31	X8441-19	—	—	—	X1832
X8510	X8510-17	X8510-8	—	—	—	X1678
X8566	X8566-2	X8566-7	—	—	300802-1	—
X8634	X8634-11	X8634-12	—	—	301425-2	—
X8707	X8701-9	X8701-10	—	—	—	X1781
X8728	X8728-23	—	—	—	—	X1716
X8753	—	X8753-27	—	—	—	X1832
X8905	—	X8905-2	—	—	—	X1718

Electrical Parameters 2 to 4 Contacts. #14 AWG through #1 AWG Conductors. Up to 600 Volts, 95 Amps.

A heavy-duty, molded-to-cable connector particularly well suited for most power applications. Extremely rugged neoprene construction will absorb maximum punishment. Its oval shape permits it to lie flat creating minimum obstruction in work areas.

Available in both polarized and nonpolarized designs; the non-polarized design permits reverse phasing in three phase applications.

Receptacles have terminal backs for easy wiring and are available with spring-loaded sealing covers. The heavy-duty castings can be either panel mounted or furnished with a wiring box. Mating male and female plugs molded to standard lengths of cable are available with or without safety chains to prevent accidental disconnect.

Ovals are molded to various standard lengths of neoprene jacketed cable.

Sealed against environment

One piece molded-to-cable construction assures that contaminants cannot enter from cable end and a resilient neoprene shroud seals the mated units. Result is a completely sealed connector that maintains circuit integrity under the most stringent conditions.

Flattened oval shape

Mated plugs lie flat in working areas; offer minimum obstruction. Sturdy neoprene construction will not shatter or crack from rough handling, impact or pressure.

Corrosion Resistant

Common industrial pollutants including oils, acids, etc., have little or no effect on neoprene components.

Easily Installed

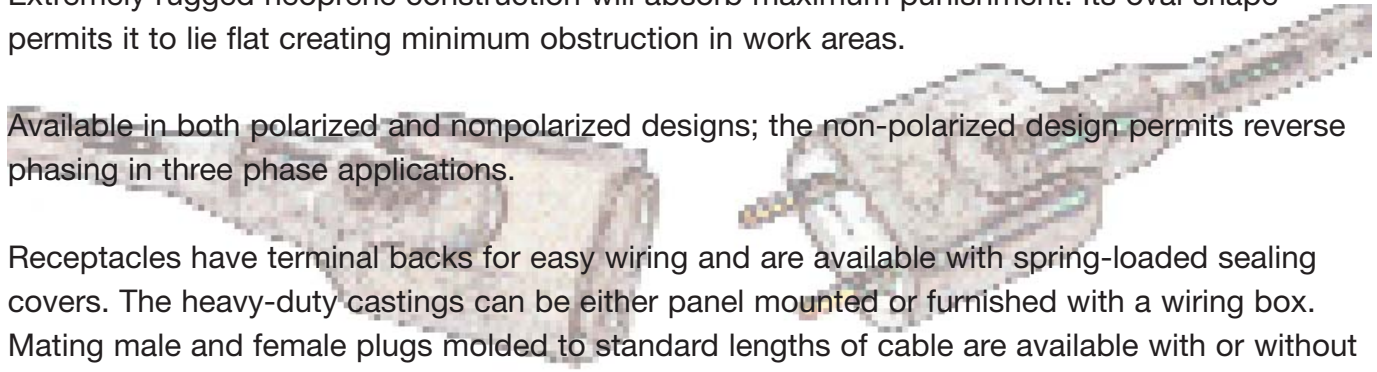
Since cable is prewired and molded to the plug in the factory, one step is eliminated in the field hookup. Receptacles have roomy, easy-to-wire terminal blocks.

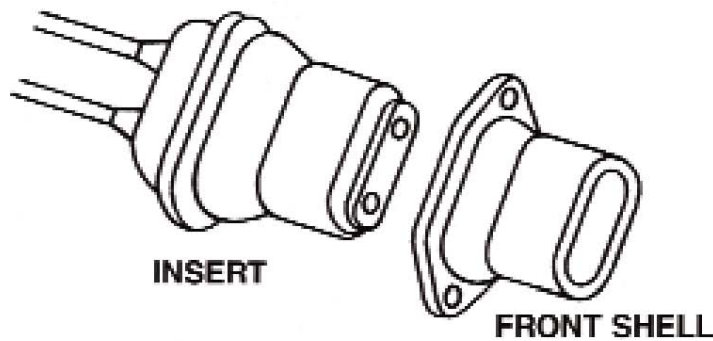
Withstand physical abuse

The resilient one-piece molded neoprene construction shrugs off heavy physical abuse. They will withstand many times the twisting and flexing of conventional connectors.




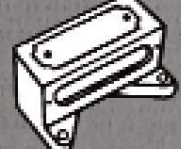
Electrically Safe

Molded construction insulates, won't break or shatter like phenolic or plastic connectors.





To order parts: refer to illustration to identify part required. Locate reference part number (number to left of dash in complete part number) and follow across to correct column.

				
REF. NO	TERMINAL BACK INSERT MALE	TERMINAL BACK INSERT FEMALE	MOUNTING SHELL WITH COVER	WIRING BOX
X8015	X8015-17	X8015-18	X1677	SBM4135
X8016	X8016-18	X8016-19	X1692	SDM4136
X8017	X8017-16	X8017-19	X1767	SBM4137
X8018	X8018-16	X8018-15	X1753	SBM4138
X8019	X8019-18	X8019-17	X1768	SBM4139
X8020	X8020-7	X8020-5	X1677	SBM4135
X8021	X8021-4	X8021-5	X1692	SBM4136
X8024	X8024-8	X8024-3	X1753	SBM4138
X8025	X8025-9	X8025-8	X1768	SBM4139
X8026	X8026-13	X8026-12	X1768	SBM4139
X8036	X8036-14	X8036-15	X1692	SBM4136
X8037	X8037-16	X8037-15	X1700	SBM4140
X8033	X8033-9	X8033-8	X1690	SBM4141
X8041	X8041-23	X8041-22	X1692	SBM4136
X8042	X8042-20	X8042-19	X1700	SBM4140
X8043	X8043-18	X8043-17	X1700	SBM4140
X8044	X8044-18	X8044-17	X1690	SDM4141
X8045	X8045-19	X8045-17	X1699	SBM4142
X8059	X8059-17	X8059-16	X1717	SDM4140
X8060	X8060-14	X8060-13	X1697	SBM4144
X8061	X8061-9	X8061-12	X1697	SBM4144
X8062	X8062-21	X8062-26	X1754	SBM4145
X8063	X8063-30	X8063-26	X1721	SBM4143
X8064	X8064-11	X8064-9	X1697	SDM4144
X8401	X8401-13	X8401-7	X1697	SBM4144

NOTE: Refer to price list for identification of stock items.

Cooper Interconnect's Oval & Round Connectors are available from

Cooper Interconnect
5455 Endeavour Court
Moorpark, CA 93021-8009

Cooper Interconnect
4758 Washington Street
LaGrange, NC 28551

Customer Service (8:00 AM to 5:30 PM EST)

P: 866-944-0043

F: 866-653-0640

Email: Interconnect.customerctr@cooperindustries.com

www.cooperinterconnect.com

Email info@cooperinterconnect.com

Cooper Interconnect is a trademark of Cooper Industries, Inc.
©2010 Cooper Industries, Inc.

Cooper Industries, Ltd.
600 Travis, Ste. 5800
Houston, TX 77002-1001
P: 713-209-8400
www.cooperindustries.com