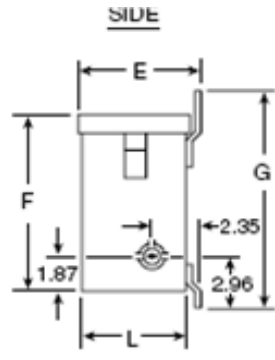
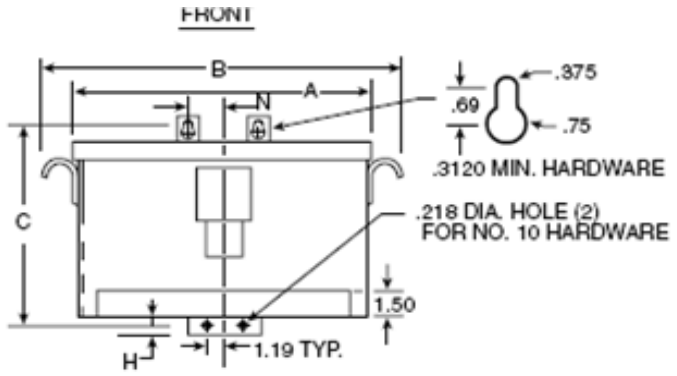


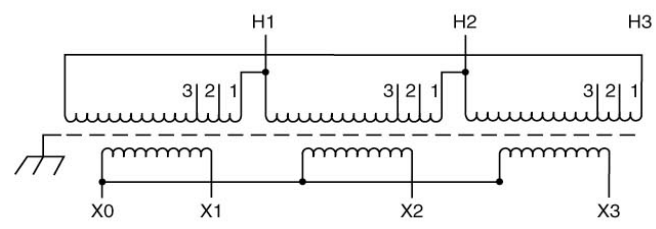
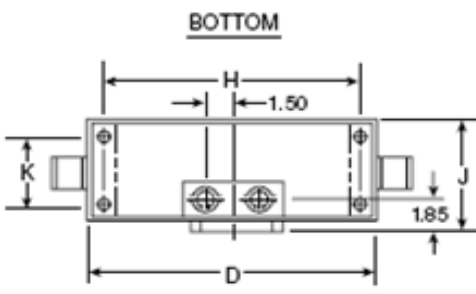
Revisions



Primary Volts	%	Connect Leads to Tap No.
483	105	1
460	100	2
437	95	3
Secondary Volts		
460		X1, X2, X3
266		X1 & X0
1 phase		X2 & X0
		X3 & X0



CERTIFIED DIMENSIONS
THREE PHASE
TOTALLY ENCLOSED



KVA	CATALOG NUMBER	VOLTAGE		TYPE	WEIGHT	PHASE	FREQ.
		HIGH	LOW				
7.5	DTGB-7-2S	460Δ	460Y/266	NEMA 3R	180 Lbs	3φ	60 Hz

TYPICAL PERFORMANCE DATA

Winding Rise	115°C
Insulation	180°C
Sound Level	40 dB

Regulation @ 100% PF	
----------------------	--

IMPEDANCE	
-----------	--

Typical Efficiency	
Full Load Losses	
No Load Losses	

A	B	C	D	E	F	G	H	J	K	L	M	N	P	R
16.87	19.25	14.46	16.72	7.37	13.06	15.21	.38	7.31		6.87		3.25		

Type No. _____

DATE: 4-28-09

