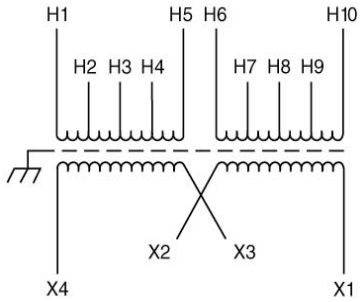
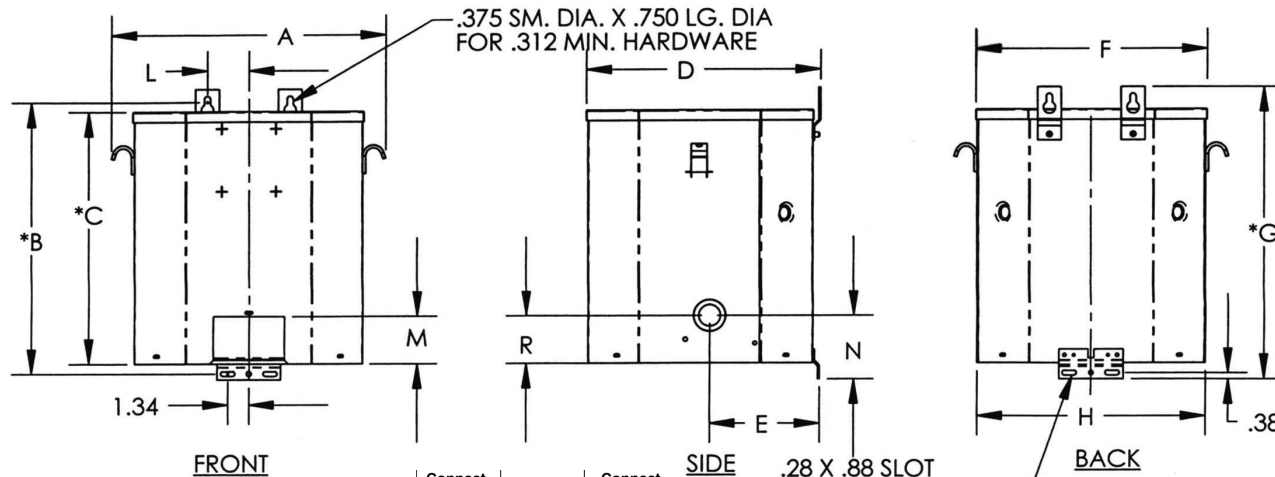
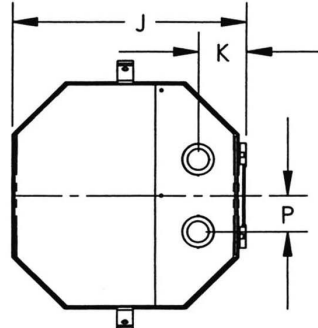


Revisions



Primary Volts	Connect Primary Lines To	Inter-Connect	Connect Secondary Lines To
216	H1-H10	H1 to H9 H10 to H2	
228	H1-H10	H1 to H8 H10 to H3	
240	H1-H10	H1 to H7 H10 to H4	
252	H1-H10	H1 to H6 H10 to H5	
432	H1-H10	H2 to H9	
444	H1-H10	H3 to H9	
456	H1-H10	H3 to H8	
468	H1-H10	H4 to H8	
480	H1-H10	H4 to H7	
492	H1-H10	H5 to H7	
504	H1-H10	H5 to H6	
Secondary Volts			
240		X2 to X3	X1-X4
120/240		X2 to X3	X1-X3-X4
120		X1 to X3 X2 to X4	X1-X4



Type No.

KVA	CATALOG NUMBER	VOLTAGE		Enclosure	WEIGHT	PHASE	FREQ.
		HIGH	LOW				
15	TC-53517-3S	240 x 480	120/240	NEMA-3R	160 Lbs	1φ	60 Hz

TYPICAL PERFORMANCE DATA

Winding Rise	115°C
Insulation	180°C
Sound Level	45 dB

Regulation @ 100% PF	1.01%	Windings:	CU
----------------------	-------	-----------	----

Typical Efficiency	98.6%
No Load Losses	67.39W
Full Load Losses	278.66

A	B	C	D	E	F	G	H	J	K	L	M	N	P	R
14.12	15.93	14.56	11.59	4.54	11.75	16.94	11.62	11.38	2.68	2.44	3.00	3.13	2.00	3.00

Drawn: ADR

DATE: July 30, 2008

A PRINTS TO **CONTROL 7**