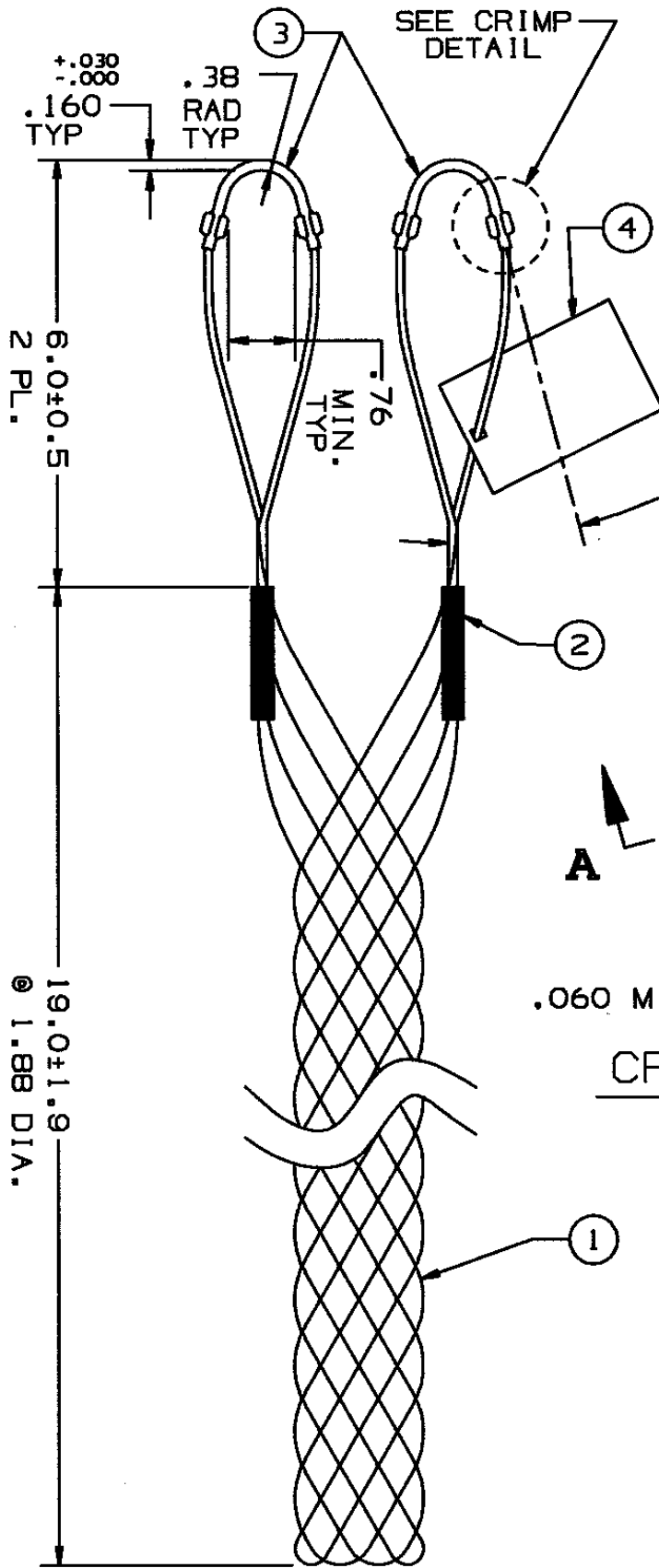
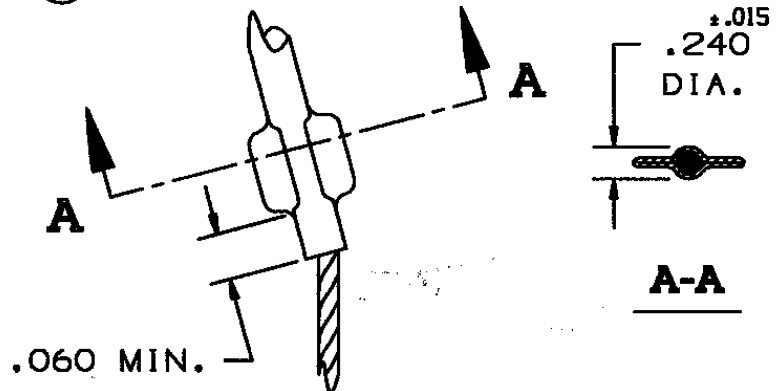


COMPONENT LIST

ITEM NO.	DESCRIPTION	MAT'L	COMPONENT NO.	QTY.
1	STRAND	SST		-
2	EQUALIZER	SST		2
3	EYE	BRZ		2
4	TAG	MYLAR		1



22.5°
4 PL.



CRIMP DETAIL

4 PL.

IN ACCEPTING OUR DRAWINGS OR BLUEPRINTS FOR QUOTATION OR OTHER PURPOSES, YOU AGREE NOT TO DISCLOSE TO OTHERS THE IDEAS, INFORMATION, OR DESIGNS THEREIN SHOWN, AND THAT YOU WILL MAKE NO USE OF OUR DRAWINGS OR BLUEPRINTS OR OF THE IDEAS, INFORMATION, OR DESIGNS THEREIN SHOWN WITHOUT OUR PERMISSION.

TITLE
GRIP, SST, STD. SUPPORT, CLOSED MESH, SINGLE WEAVE, DOUBLE EYE
DIA. RA. 1.75-1.99
APPROX. BRK. STR. 5000# ±20%

TOLERANCES UNLESS OTHERWISE SPECIFIED .X = ±.5 .XX = ±.05 .XXX = ±.015 ANGLE TOL. ± 2°	HUBBELL INCORPORATED KELLEMS DIVISION STONINGTON, CT	
	DR. BY DEF	APP. BY

PROJECT NO.	TR. BY JMN	SCALE N/A
/ /	CHK. BY	DATE 7/28/98

DR. NO.	REV.
024-01-008	K

SUPERSEDES DWG. DATED 11/15/70