

Radiant Stack Light

Configurable to fit every need

The Radiant modular stack light allows for up to 7 light modules; 6 light modules and 1 sound module (1 channel); or 5 light modules and 1 sound module (2 channels).

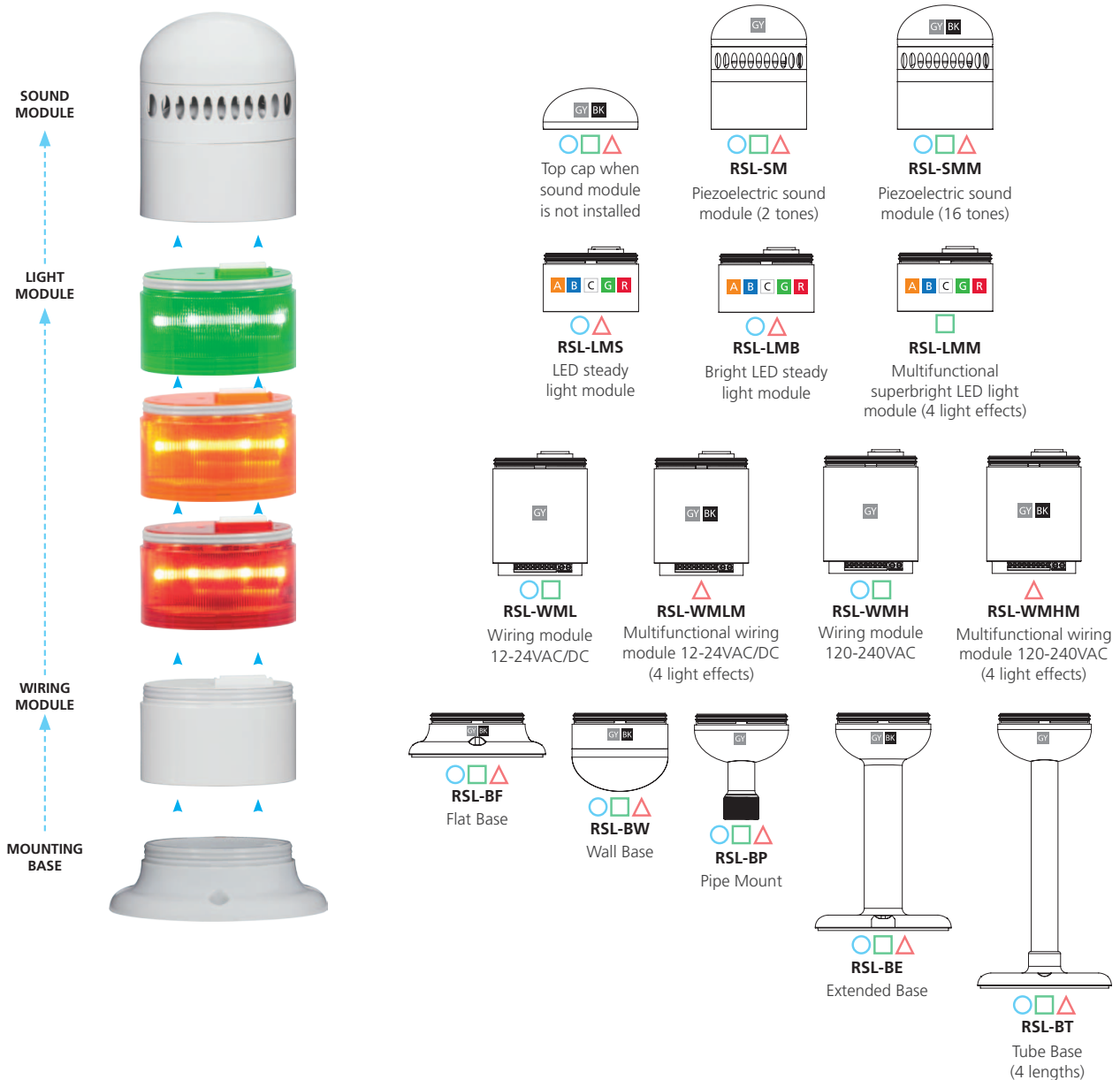


How to Configure Your Stack Light

Follow the to configure a *steady* stack light.

Follow the to configure a *flashing* stack light with *flashing controls in the light module*.

Follow the to configure a *flashing* stack light with *flashing controls in the wiring module*.



Model RSL-B

Radiant Mounting Options

Five base options allow for mounting flexibility

Flat Base – Designed for flat surface mounting when cabling from the bottom of the device and a compact design is needed.



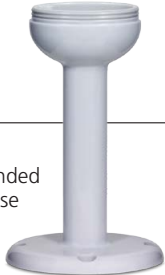


Wall Base – Designed for lateral or wall mounting.

Extended Base – Designed for mounting on a flat surface. Allows for an additional lift of 3.94" (100 mm).

Pipe Base – Designed for installation on a 1/2" NPT pipe.

Tube Base – Designed for flat surface mounting, featuring a stainless steel extension tube when a higher profile design is needed. Lengths available: 5.55" (141mm), 9.49" (241mm), 13.43" (341mm) and 17.36" (441mm).

HOW TO ORDER

	Model Number	Base Color	Weight	
 <p>Flat Base</p>	RSL-BF-GY	Gray	1.76 oz 0.05 kg	(22.5 mm) and 1.20"/>(30.5 mm) heights. Top view shows 3.15"/>(80 mm) and 3.31"/>(84 mm) diameters, with a 2.52"/>(64 mm) mounting hole diameter." data-bbox="611 374 897 444"/>
	RSL-BF-BK	Black		
 <p>Wall Base</p>	RSL-BW-GY	Gray	2.12 oz 0.06 kg	(49 mm) and 2.24"/>(57 mm) heights, and 2.49"/>(62 mm) width. Front view shows 1.02"/>(26 mm) mounting hole spacing and 0.049"/>(12.5 mm) depth." data-bbox="611 461 897 524"/>
	RSL-BW-BK	Black		
 <p>Extended Base</p>	RSL-BE-GY	Gray	2.50 oz 0.08 kg	(150 mm) and 6.22"/>(158 mm) heights. Top view shows 3.15"/>(80 mm) and 3.31"/>(84 mm) diameters, with a 2.52"/>(64 mm) mounting hole diameter." data-bbox="611 541 897 611"/>
	RSL-BE-BK	Black		
 <p>Pipe Base</p>	RSL-BP-GY	Gray	2.82 oz 0.08 kg	(78.5 mm) height and 2.78"/>(70.5 mm) width. Bottom view shows 1.97"/>(50 mm) diameter and 2.75"/>(70 mm) mounting hole spacing." data-bbox="611 634 897 688"/>
 <p>Tube Base</p>	RSL-BT1-GY 5.55" / 141 mm	Gray	3.53 oz 0.10 kg	(80 mm) and 3.31"/>(84 mm) diameters, with a 2.52"/>(64 mm) mounting hole diameter." data-bbox="611 714 897 831"/>
	RSL-BT2-GY 9.49" / 241 mm		4.94 oz 0.14 kg	
	RSL-BT3-GY 13.43" / 341 mm		6.35 oz 0.18 kg	
	RSL-BT4-GY 17.36" / 441 mm		7.76 oz 0.22 kg	



► Model RSL-WM

Radiant Wiring Modules

The first step in designing your stack light



RSL-WML & RSL-WMH steady light effect models offer 7 electrical contacts, allowing for up to 7 light modules; 6 light modules + 1 sound module (1 channel) or 5 light modules + 1 sound module (2 channels).

RSL-WMLM & RSL-WMHM share the same features as the RSL-WML and RSL-WMH with the added benefit of the ability to generate a flashing sequence in any of the individual modules via electrical contacts or PLC. The RSL-WMLM and RSL-WMHM have four integrated light effects: single flash, double flash, triple flash and simulated strobe.

A top cap is provided with each wiring module.

FEATURES

- Modular design allows up to 7 light modules; 6 light modules + 1 sound module (1 channel) or 5 light modules + 1 sound module (2 channels)
- Four flash patterns available in models WMLM or WMHM
- Steady effect for models WML or WMH
- Available in 12-24VAC/DC or 120-240VAC
- Available in gray or black housings
- Indoor/Outdoor use
- IP65, NEMA Type 4X
- UL and cUL Listed, CE Certified

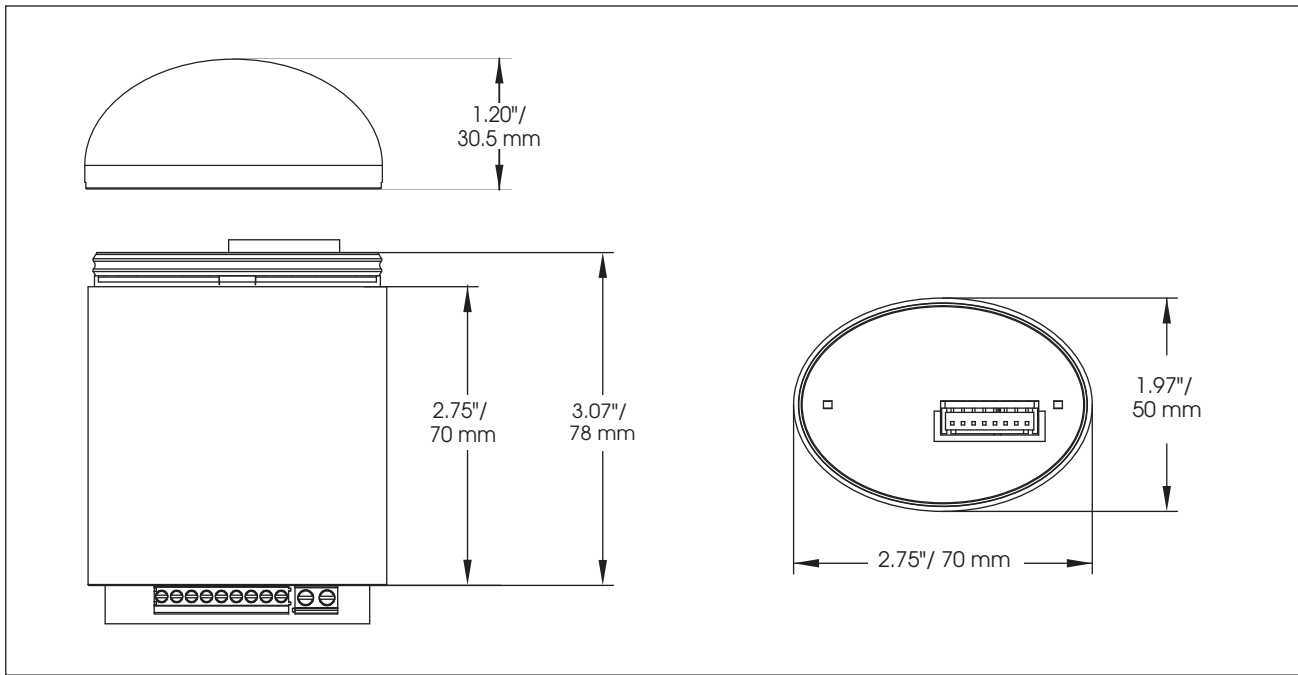


Wiring Modules

MODEL	MAXIMUM OPERATING CURRENT* (mA)			
	24VDC	24VAC	120VAC	240VAC
RSL-WML/RSL-WMH	35	75	30	25
RSL-WMLM/RSL-WMHM	50	110	30	25

*Max operating current is dependent on selected wiring module

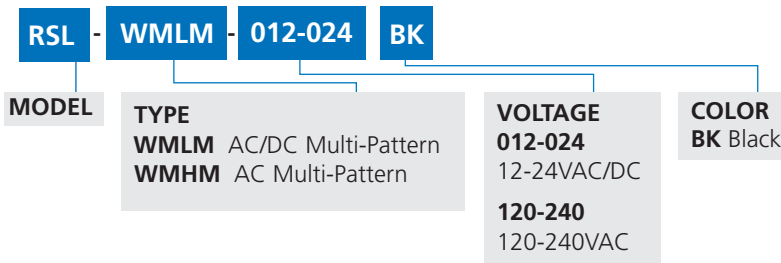
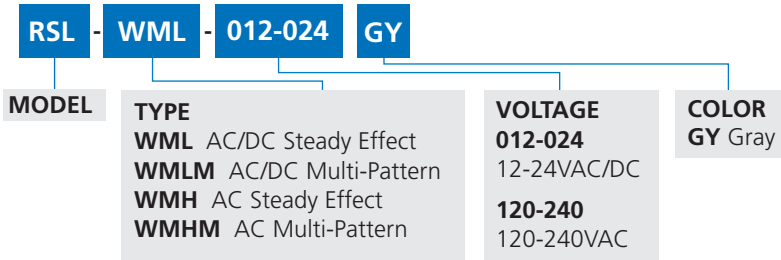
Radiant Wiring Modules (RSL-WM)



SPECIFICATIONS

Operating Temperature:	-22° to 122°F	30° to 50°C
Net Weight:	5.64 oz	0.05 kg

HOW TO ORDER



#218 Rev. 032316



▶ Model RSL-LMS

Radiant Steady Light Module

Modular component for proximity signaling



RSL-LMS offers a steady LED light with high optical performance. Its modular design and simple functionality are the right choice for a basic stack light application.

RSL-LMS-F consists of a colored fresnel lens with a colored light source. The use of a colored lens with the same colored light source allows optimization of the emission frequency, producing a rich intense light output.

RSL-LMS-O consists of an opaque colored lens with a colored light source. The opaque characteristic allows an optimally diffused light without disturbing the operator.

FEATURES

- Modular design allows up to 7 light modules; 6 light modules & 1 sound module (1 channel) or 5 light modules & 1 sound module (2 channels)
 - Steady light effect with 6 LEDs
 - Available in five color options and two lens types
 - Compatible with 12-24VAC/DC or 120-240VAC *
 - Indoor/Outdoor use
 - PLC compatible
 - IP65, NEMA Type 4X
 - UL and cUL Listed, CE Certified
- *Voltage dependent on selected wiring module

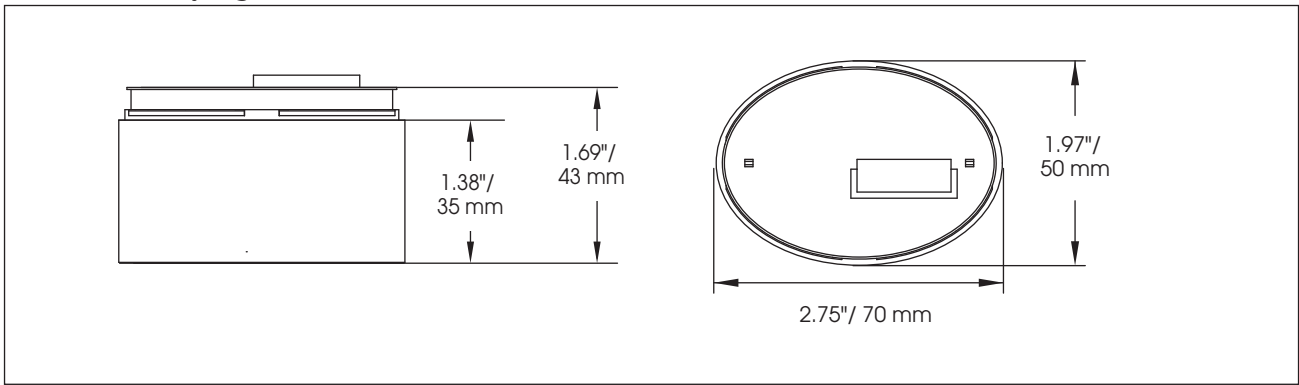


Wiring Modules

MODEL RSL - LMS	MAXIMUM OPERATING CURRENT* (mA)			
	24VDC	24VAC	120VAC	240VAC
RSL-WML/RSL-WMH	35	75	30	25
RSL-WMLM/RSL-WMHM	50	110	30	25

*Max operating current is dependent on selected wiring module

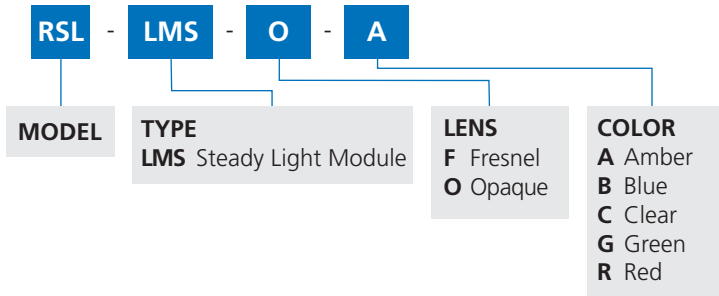
Radiant Steady Light Module (RSL-LMS)



SPECIFICATIONS

Operating Temperature:	-22° to 122°F	-30° to 50°C
Lamp Life:		100,000 hours
Light Source:		Standard LED Array
Net Weight:	1.41 oz	0.04 kg

HOW TO ORDER



#218 Rev. 032316



► Model RSL-LMB

Radiant Steady, Bright Light Module

Modular component for distance signaling



RSL-LMB offers a bright, steady LED light with high optical performance. Its modular design and simple functionality combined with bright LED's, make this stack light option the right choice for an advanced application.

RSL-LMB-F consists of a colored fresnel lens with a colored light source. The use of a colored lens with the same colored light source allows for optimization of the emission frequency, producing a rich intense light output.

RSL-LMB-C consists of a clear lens with colored light source for use in very bright environments or outdoor applications.

FEATURES

- Modular design allows for up to 7 light modules; 6 light modules & 1 sound module (1 channel) or 5 light modules & 1 sound module (2 channels)
- Steady light effect with 6 bright LEDs
- Available in five color options and two lens types
- Compatible with 12-24VAC/DC or 120-240VAC*
- Indoor/Outdoor use
- PLC compatible
- IP65, NEMA Type 4X
- UL and cUL Listed, CE Certified

*Voltage dependent on selected wiring module

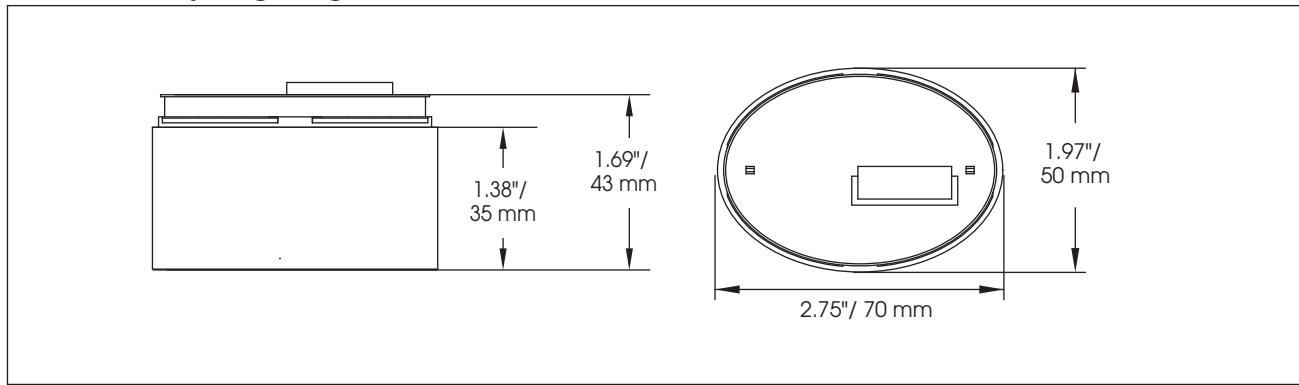


Wiring Modules

MODEL RSL-LMB	MAXIMUM OPERATING CURRENT* (mA)			
	24VDC	24VAC	120VAC	240VAC
RSL-WML/RSL-WMH	50	60	35	25
RSL-WMLM/RSL-WMHM	70	100	35	25

*Max operating current is dependent on selected wiring module

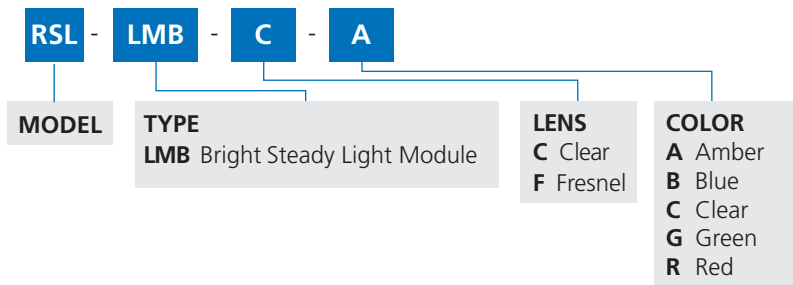
Radiant Steady, Bright Light Module (RSL-LMB)



SPECIFICATIONS

Operating Temperature:	-22° to 122°F	-30° to 50°C
Lamp Life:		100,000 hours
Light Source:		Standard LED Array
Net Weight:	1.41 oz	0.04 kg

HOW TO ORDER



#218 Rev. 032316



RSL-LMM-F-B

► Model RSL-LMM

Radiant Multi-Pattern Light Module

Modular component with four integrated flash patterns



RSL-LMM offers a multi-pattern LED light with high optical performance. Its modular design and compound functionality make this module ideal for applications where gaining attention is required.

RSL-LMM is capable of producing four integrated light effects: double flash, triple flash, strobe effect and random. The random pattern consists of an uneven flashing pattern, increasing the ability to catch attention.

FEATURES

- Modular design allows for up to 7 light modules; 6 light modules & 1 sound module (1 channel) or 5 light modules & 1 sound module (2 channels)
 - Available in five color options
 - Four integrated flash patterns selectable via dip-switch
 - Compatible with 12-24VAC/DC or 120-240VAC*
 - Indoor/Outdoor use
 - PLC compatible
 - IP65, NEMA Type 4X
 - UL and cUL Listed, CE Certified
- *Voltage dependent on selected wiring module

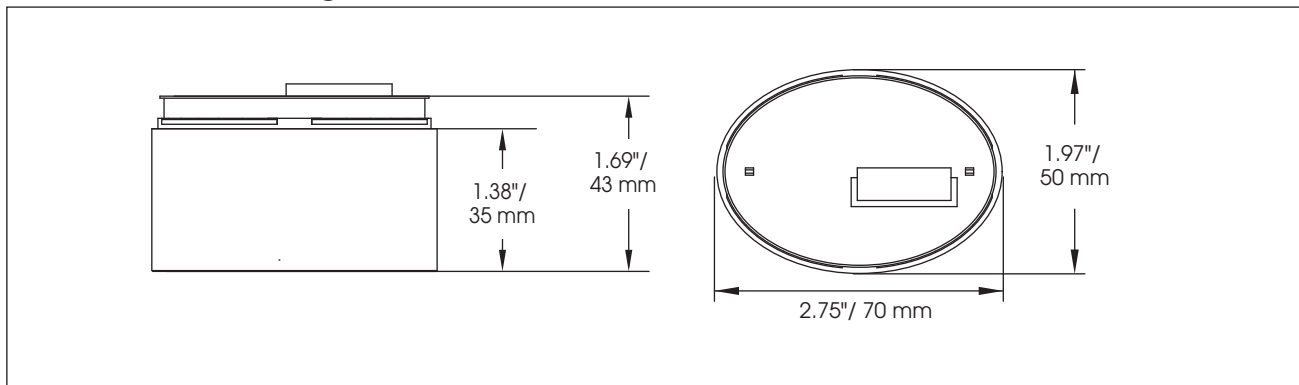


Wiring Modules

MODEL	MAXIMUM OPERATING CURRENT* (mA)			
	24VDC	24VAC	120VAC	240VAC
RSL-LMM				
RSL-WML/RSL-WMH	60	100	35	25

*Max operating current is dependent on selected wiring module

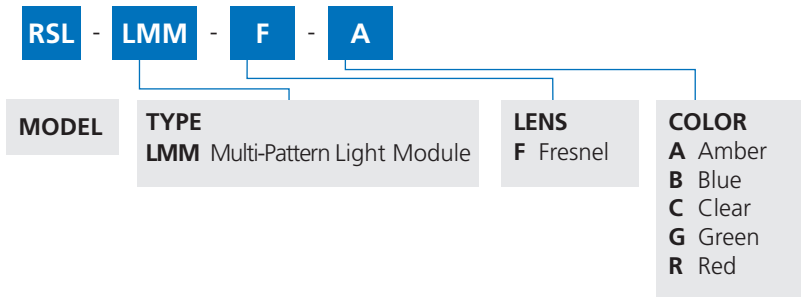
Radiant Multi-Pattern Light Module (RSL-LMM)



SPECIFICATIONS

Operating Temperature:	-22° to 122°F	-30° to 50°C
Lamp Life:		100,000 hours
Light Source:		Standard LED Array
Net Weight:	1.41 oz	0.04 kg

HOW TO ORDER



#218 Rev. 032316



► Model RSL-SM and RSL-SMM

Radiant Sound Module

Modular component for audible signaling

Radiant sound modules add an audible alert to a visual stack light application. Depending on the application need, there are two possible solutions:

RSL-SM contains 2 tones (intermittent and continuous) over 2 channels. It allows for use of both channels, by connecting 2 of the 7 available contacts of the wiring module.

RSL-SMM contains 16 tones (mixed types) over 2 channels. It allows for use of both channels, by connecting 2 of the 7 available contacts of the wiring module. For each channel it is possible to select the sound via dip-switch.

FEATURES

- Modular design offers up to 7 light modules; 6 light modules & 1 sound module (1 channel) or 5 light modules & 1 sound module (2 channels)
 - Volume control in model RSL-SMM
 - RSL-SM contains 2 tones, RSL-SMM contains 16 tones
 - Compatible with 12-24VAC/DC or 120-240VAC*
 - Indoor/Outdoor use
 - PLC compatible
 - IP65, NEMA Type 4X
 - UL and cUL Listed, CE Certified
- *Voltage dependent on selected wiring module



Wiring Modules

MODEL RSL-SM	DECIBELS @ 1M		MAXIMUM OPERATING CURRENT* (mA)			
	MIN.	MAX.	24VDC	24VAC	120VAC	240VAC
RSL-WML/RSL-WMH	N/A**	87	50	120	30	25
RSL-WMLM/RSL-WMHM	N/A**	87	65	130	30	25

*Max operating current is dependent on selected wiring module

**Model RSL-SM does not offer volume control



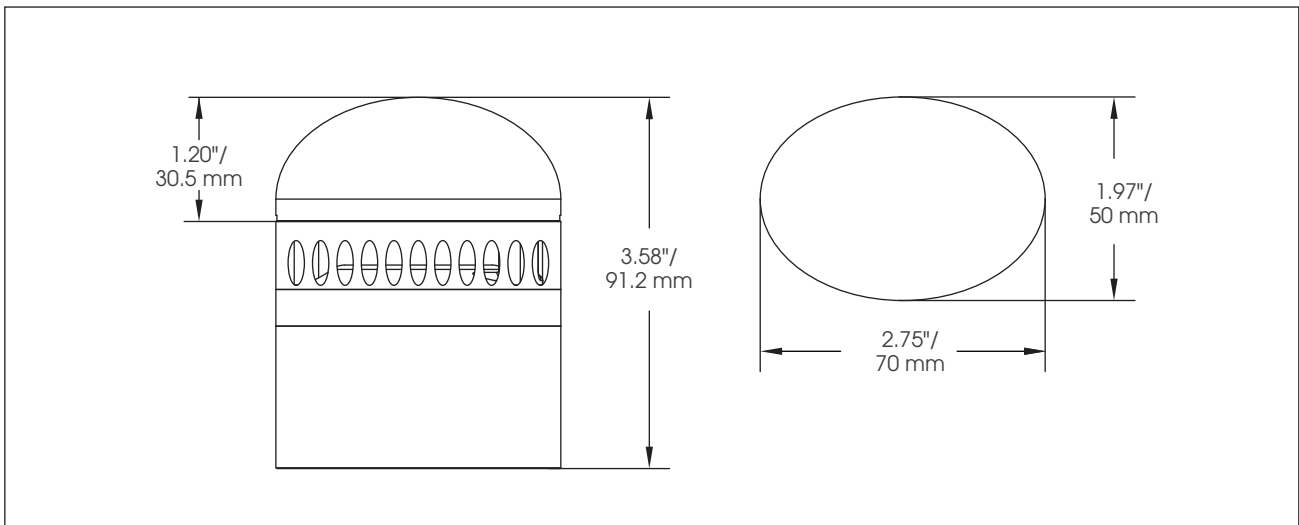
Wiring Modules

MODEL RSL-SMM	DECIBELS @ 1M		MAXIMUM OPERATING CURRENT* (mA)			
	MIN.	MAX.	24VDC	24VAC	120VAC	240VAC
RSL-WML/RSL-WMH	60	90	200	450	100	50
RSL-WMLM/RSL-WMHM	60	90	200	450	100	50

*Max operating current is dependent on selected wiring module



Radiant Sound Module (RSL-SM/ RSL-SMM)



SPECIFICATIONS

Operating Temperature:	-22° to 122°F	-30° to 50°C
Net Weight:		
RSL-SM	2.82 oz	0.08 kg
RSL-SMM	3.17 oz	0.09 kg

HOW TO ORDER

