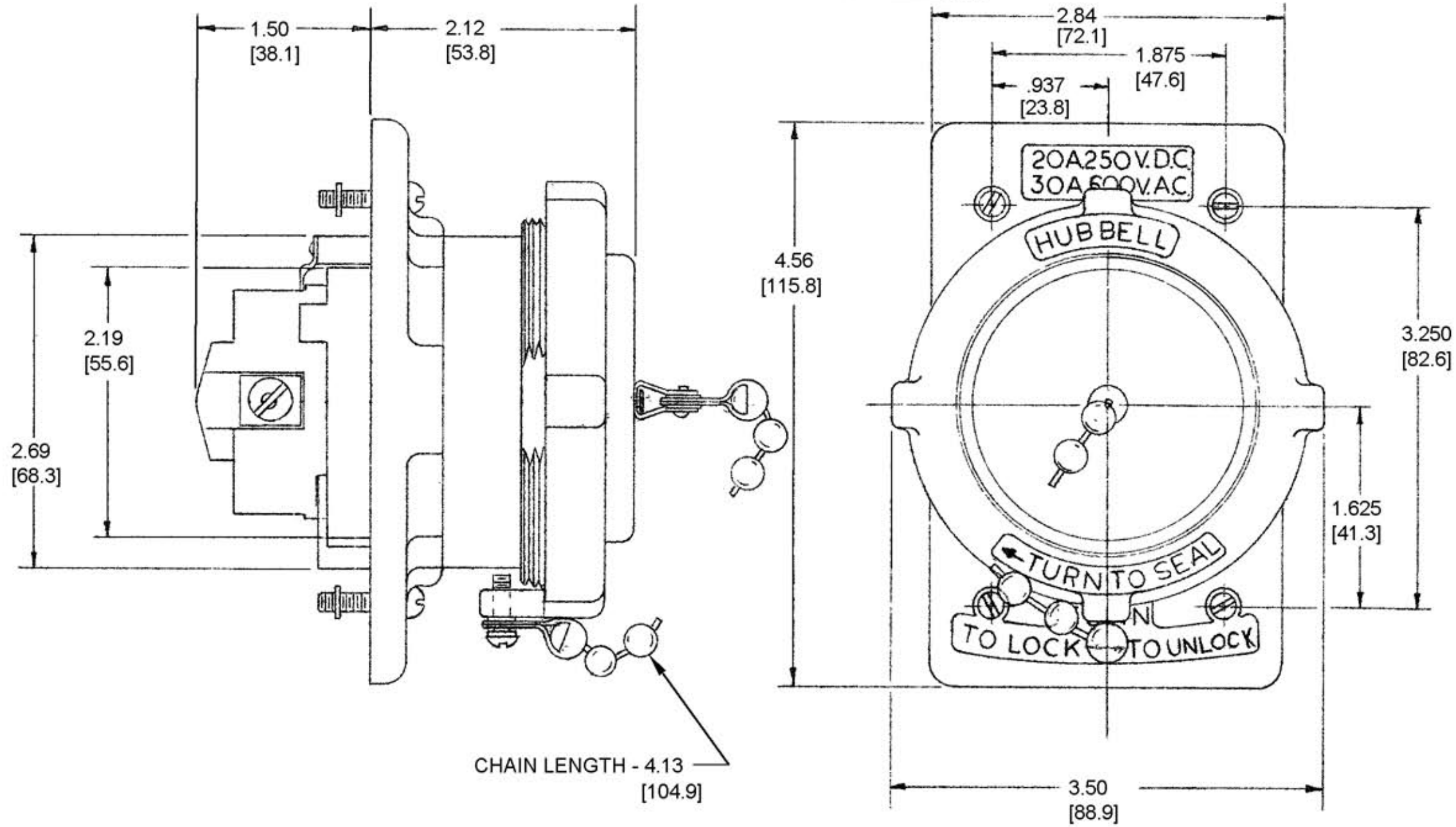


M-5807 2



NOTES:

1. WIRE CAPACITY: #12 AWG TO #6 AWG, SOLID OR STRANDED COPPER WIRE.
2. ALL DIMENSIONS TO BE INCHES.
[mm]

CODE 74545

TITLE
20A 250VDC 30A 600VAC
4 WIRE HUBBELLOCK
FEMALE RECEPTACLE WITH PLATE
SEALING RING & GASKET

TOLERANCES UNLESS
OTHERWISE SPECIFIED
FRACTIONS ± 1/64
DECIMALS ± .005
ANGLES ± 2°

HARVEY HUBBELL, INC.
BRIDGEPORT, CONN.
DR. BY C.J.G. APP. BY _____
TR. BY _____ SCALE FULL
CHK'D BY _____ DATE 1-17-25

LIST OF PARTS

DESCRIPTION	MATERIAL	FINISH
HOLDER	BAKELITE	BLACK
BODY	BAKELITE	BLACK
CONTACT SPRING	.031 BRONZE	NICKEL PL.
TERMINAL	COPPER	NICKEL PL.
EYELET	.008 BRASS	NICKEL PL.
PRESSURE SCREW	BRASS	NICKEL PL.
SHUNT	.020 BRASS	NICKEL PL.
CENTER POST	BRASS	NICKEL PL.
COILED SPRING	.051 MUSIC WIRE	NICKEL PL.
SEALING RING	BRASS	NICKEL PL.
FILLER CAP	.062 BRASS	NICKEL PL.
#13 BEAD CHAIN	BRASS	NICKEL PL.
SEALING GLAND	RUBBER	
GASKET RING	.015 BRASS	NICKEL PL.
PLATE	BRASS	NICKEL PL.
#6 MOUNTING SCREW	ST. STEEL	PASSIVATE
WASHER	FIBER	

DIMENSION SHEET FOR CAT. NO. HBL22CM427

REPAIRABLE NON-REPAIRABLE

B

M-5807

2

SYM	REVISIONS	APP	DATE
2	ADDED NOTES 1&2; "HBL22CM47" WAS "22CM47"; CONVERTED ALL DIMS. TO DECIMAL & METRIC; ADDED SCREW & WASHER CALLOUTS PER DCN 11902 RCM	JPP	1/28/05
1	2 11/16 DIM. REVISED	<i>Cus</i>	3/7-77