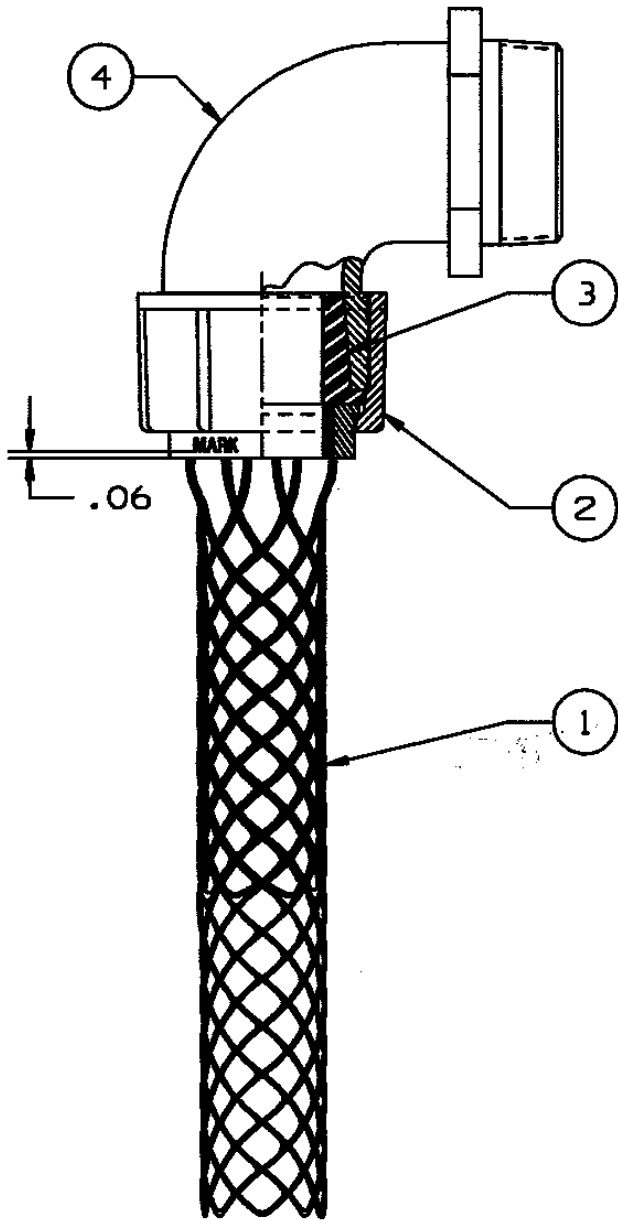


### COMPONENT LIST

ITEM NO.	DESCRIPTION	MAT'L	COMPONENT NO.	QTY.
1	GRIP, CORD	SST/AL	044-16-022	1
2	NUT	ALUM	371-48-066	1
3	BUSHING	NEOP	315-18-132	1
4	BODY	ALUM	371-48-093	1
5				
6				
7				



SUPERSEDES DRAWING  
DATED 12-6-79

IN ACCEPTING OUR DRAWINGS OR BLUEPRINTS FOR QUOTATION OR OTHER PURPOSES, YOU AGREE NOT TO DISCLOSE TO OTHERS THE IDEAS, INFORMATION, OR DESIGNS THEREIN SHOWN, AND THAT YOU WILL MAKE NO USE OF OUR DRAWINGS OR BLUEPRINTS OR OF THE IDEAS, INFORMATION, OR DESIGNS THEREIN SHOWN WITHOUT OUR PERMISSION.

TITLE DELUXE CORD GRIP  
1-1/2" 90° MALE; 1-1/2" NPT,  
FORM 5 DIA. RANGE  
1.125- 1.250 CG 1220-90

TOLERANCES UNLESS OTHERWISE SPECIFIED  
.X = ±.5  
.XX = ±.05  
.XXX = ±.015  
ANGLE TOL. ± 2°

HUBBELL INCORPORATED  
KELLEMS DIVISION  
STONINGTON, CT

PROJECT NO.

DR. BY GL	APP. BY FFS
TR. BY JMN	SCALE N/A
CHK. BY TCM	DATE 4/4/90

DR. NO.

074-01-1046

REV.

H