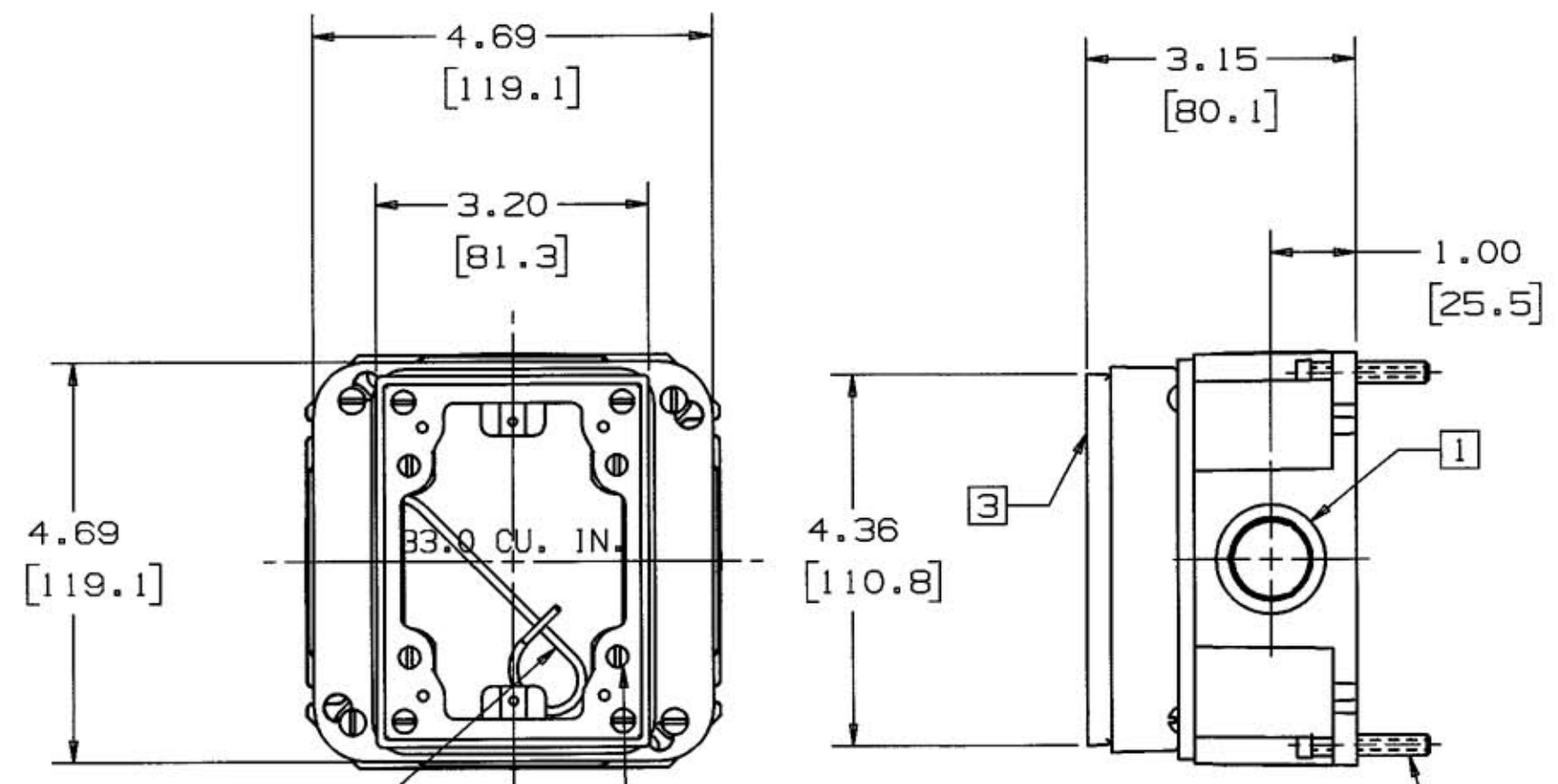


**M-7538** 4



#12 AWG SOLID WIRE 6" LONG

.375" [9.5] INTERNAL FINAL ADJUSTMENT

LIST OF PARTS		
DESCRIPTION	MATERIAL	FINISH
BOX (1 GANG)	GRAY IRON	GRAY
CLOSURE PLUG	STEEL	TIN PLATE
SCREW FLAT HD	STEEL	ZINC PLATE
SCREW RD HEAD	STEEL	ZINC PLATE
ADAPTER	GRAY IRON	GRAY
ADJUSTABLE COLLAR	GRAY IRON	GRAY
COVER FRAME	SEE TABLE	
SCREW, LEVELING	STEEL	ZINC PLATE
SCREW, GROUND	STEEL	GREEN
GROUND WIRE	COPPER	GREEN INSUL
PROTECTIVE CAP		

SUPERSEDES DWG DATED 5/18/78

SYM	REVISIONS	APP	DATE
4	1/22/02 ADDED METERIC VALUES TO ALL DIMS. ADDED NOTE "12 AWG SOLID WIRE"... CROSSHATCHED BA2436 41. ADDED NOTE 4. "LIST OF PARTS" TABLE, ADDED PROTECTIVE CAP. DIMENSION SHEET FOR CAT. NO. "SEE TABLE" WAS PART. NO.'S. TITLE WAS "DUALEVEL FLOOR BOX (DEEP)". PER DCN 8696 SPN	TCM	2/7/02
3	9/26/97 REDRAWN ON CAD AS A PARAMETRIC SOLID WITH CHANGES ADDED NOTES 1 THRU 3 PER DCN 5489 CAC TMM		

NOTES: (UNLESS OTHERWISE SPECIFIED)

- 1 CONDUIT TAP PER TABLE 3 OPENINGS ARE PLUGGED
- 2 1-.25 EXTERNAL HEIGHT ADJUSTMENT.
- 3 PROTECTIVE CAP NOT SHOWN.
- 4 INCHES [ mm ]

CATALOG NO.	COVER FRAME MATERIAL	CONDUIT HUB SIZE			
		"A"	"B"	"C"	"D"
B2436	BRASS	3/4	3/4	3/4	3/4
BA2436	ALUMINUM	3/4	3/4	3/4	3/4
<del>B2436-21</del>	<del>BRASS</del>	<del>3/4</del>	<del>1"</del>	<del>3/4</del>	<del>1"</del>
<del>BA2436-21</del>	<del>ALUMINUM</del>	<del>3/4</del>	<del>1"</del>	<del>3/4</del>	<del>1"</del>
B2436 41	BRASS	1"	1"	1"	1"
<del>BA2436 41</del>	<del>ALUMINUM</del>	<del>1"</del>	<del>1"</del>	<del>1"</del>	<del>1"</del>

THE DESIGN AND DIMENSIONS OF THE PRODUCT SHOWN ON THIS DRAWING ARE SUBJECT TO CHANGE WITHOUT NOTICE

TITLE RECTANGULAR 1 GANG FULLY ADJUSTABLE CAST IRON FLOOR BOX (DEEP)

TOLERANCES UNLESS OTHERWISE SPECIFIED	WIRING DEVICE-KELLEMS HUBBELL INCORPORATED BRIDGEPORT, CT	
FRACTIONS ±1/64	DR. BY KF	APP. BY SGL
DECIMALS ±.005	TR. BY	SCALE 1/2=1
ANGLES ±2°	CHK'D BY	DATE 9/26/97

DIMENSION SHEET FOR CAT. NO. SEE TABLE  
 REPAIRABLE  NON-REPAIRABLE   
**B**  
**M-7538**  
**4**