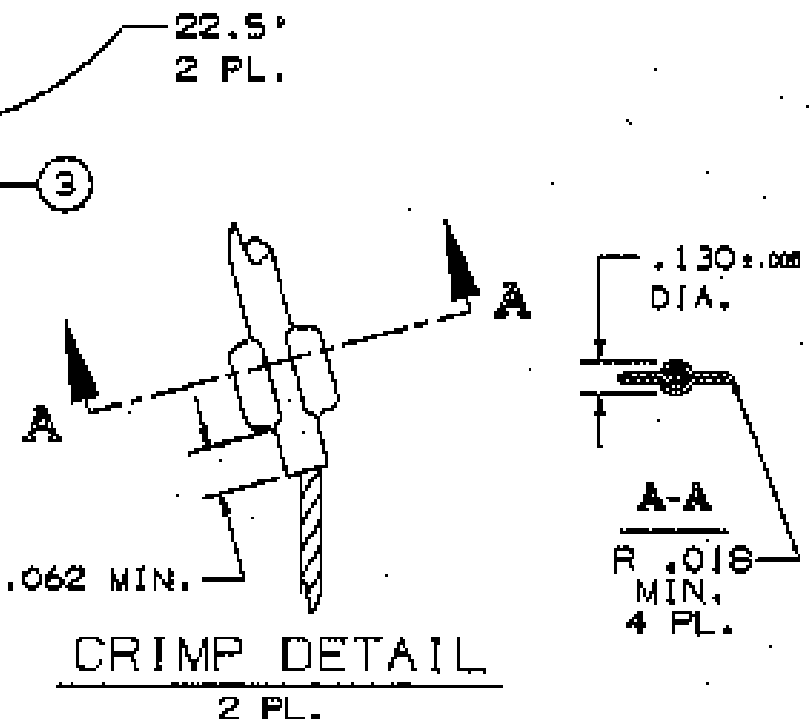
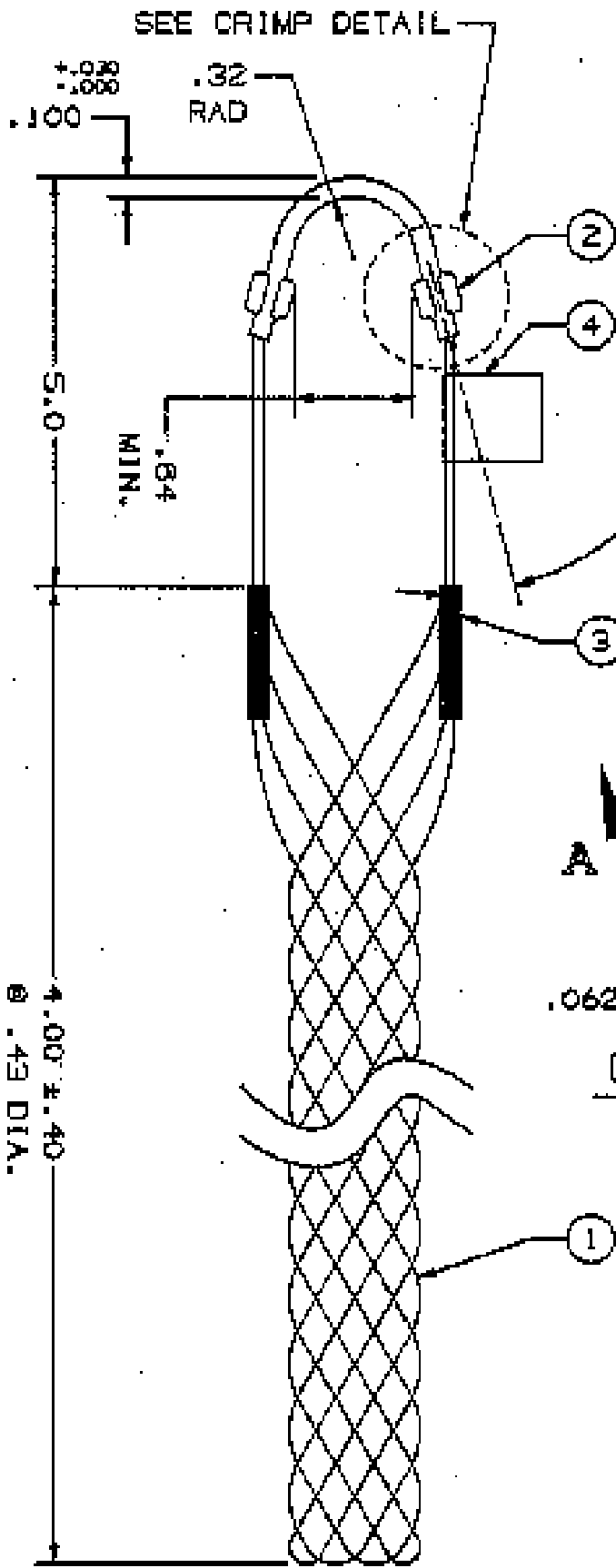


COMPONENT LIST

ITEM NO.	DESCRIPTION	MAT'L	COMPONENT NO.	QTY.
1	STRAND	T BRZ	302-01-001	-
2	EYE	SST	304-48-087	1
3	EQUALIZER	BRZ	362-47-001	2
4	TAG	MYLAR		1



IN ACCEPTING OUR DRAWINGS OR BLUEPRINTS FOR QUOTATION OR OTHER PURPOSES, YOU AGREE NOT TO DISCLOSE TO OTHERS THE IDEAS, INFORMATION, OR DESIGNS THEREIN SHOWN, AND THAT YOU WILL MAKE NO USE OF OUR DRAWINGS OR BLUEPRINTS OR OF THE IDEAS, INFORMATION, OR DESIGNS THEREIN SHOWN WITHOUT OUR PERMISSION.

TITLE CRIP, STD. SUPPORT, CLOSED MESH, SINGLE WEAVE, SINGLE "U" EYE DIA. RA .37-.48 APPROX BRK STR. 300# ±20%

TOLERANCES UNLESS OTHERWISE SPECIFIED .125 ± .005 .001 ± .001 ANGLE TOL. ± 2°	HUBBELL INCORPORATED KELLOGG DIVISION BOSTON, MA	
	DR. BY DF	APP. BY JLW
PROJECT NO.	TR. BY JVO	SCALE N/A
	CHK. BY JLW	DATE 1/25/88

DR. NO.	REV.
022-29-1003	G

SUPERSEDES DWG DATED 5-31-81