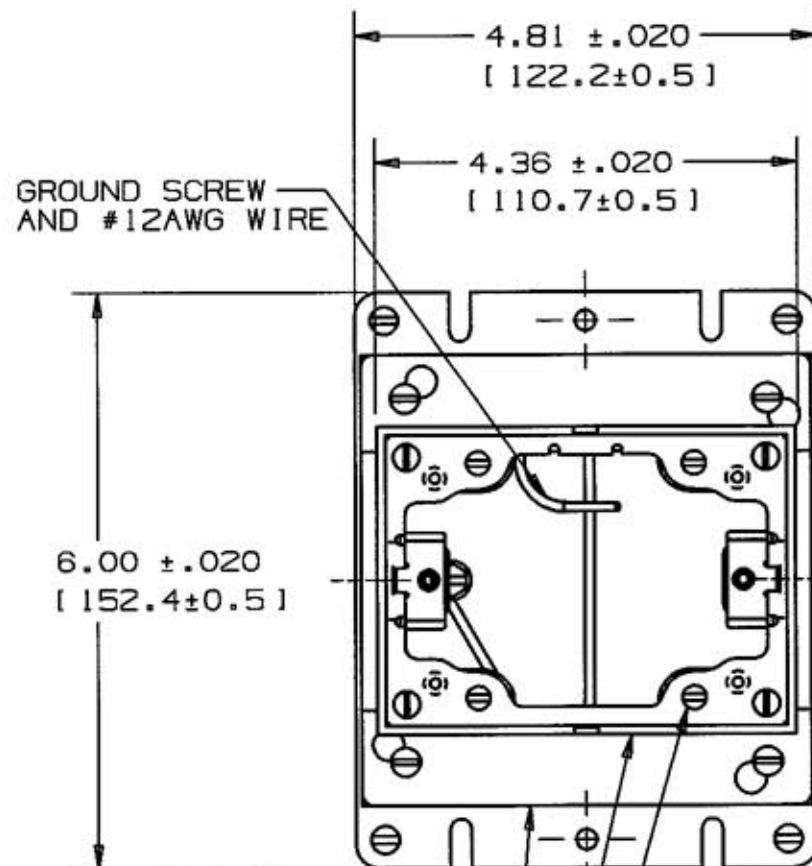
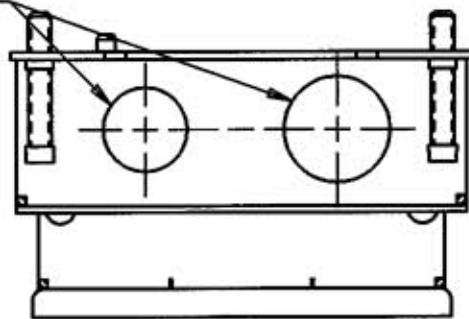


M-8577 3

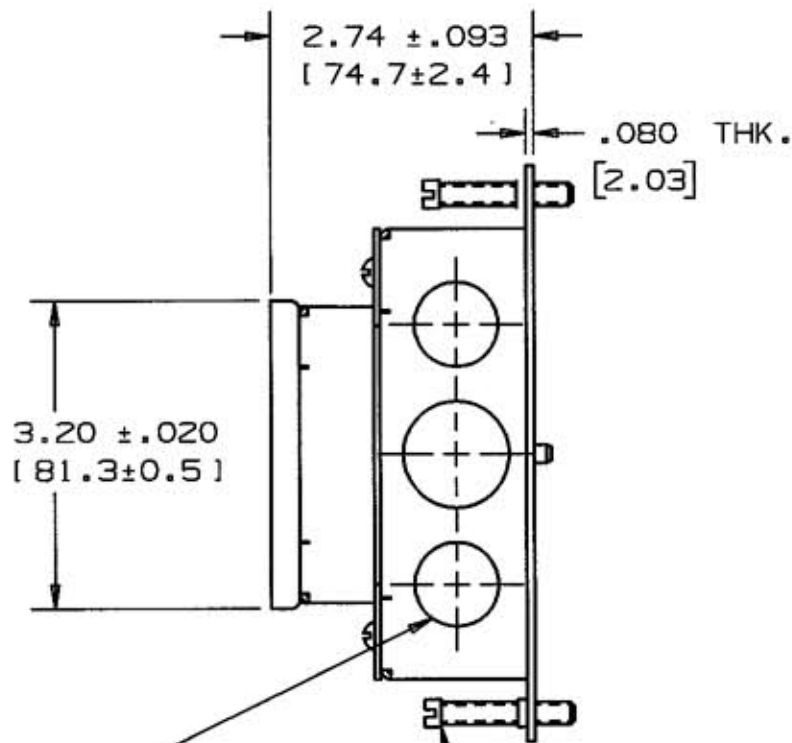
ONE 1/2" [12.7]  
ONE 3/4" [19.05]  
NPT KNOCKOUTS ON  
OPPOSITE SIDES.



39.5 CU. IN. CAPACITY

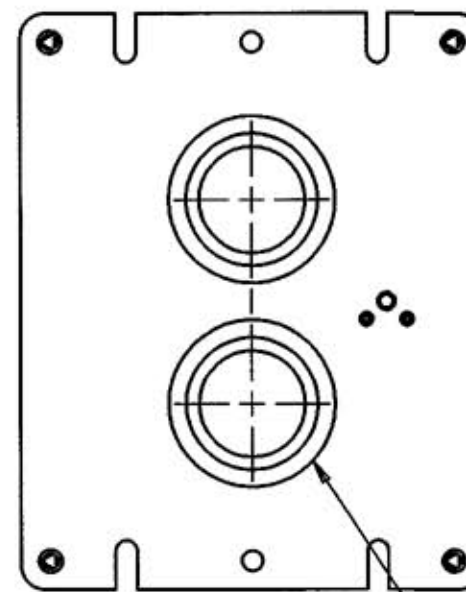
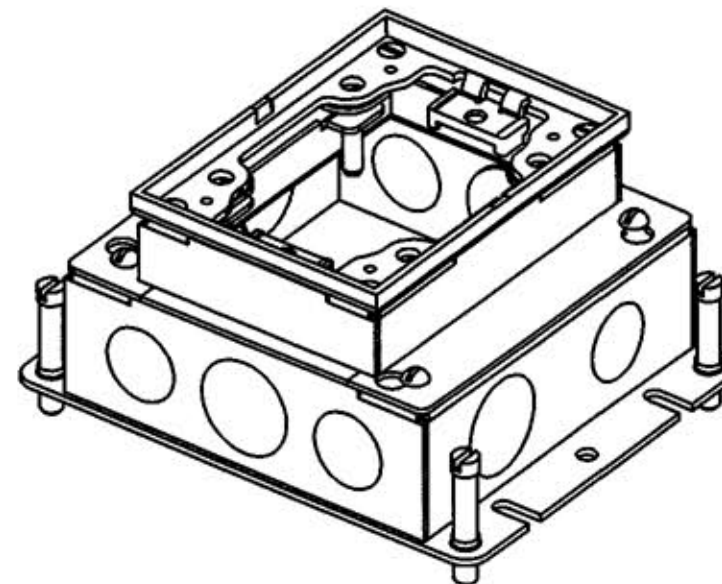
COVERFRAME ASSY.

COVERFRAME ASSY.



TWO 1/2" [12.7]  
ONE 3/4" [19.05]  
NPT KNOCKOUTS ON  
OPPOSITE SIDES.

1.25" [31.8]  
EXTERNAL HEIGHT  
ADJUSTMENT



3/4" [19.05]  
1" [25.4]  
1 1/4" [31.75]  
NPT, CONCENTRIC  
KNOCKOUTS 2X

LIST OF PARTS

DESCRIPTION	MATERIAL	FINISH
BOX	STEEL .0625 THK	PRE-GALV.
ADJUSTING BASE	STEEL .0625 THK	PRE-GALV.
ADJUSTING COLLAR	STEEL .0625 THK	PRE-GALV.
COVERFRAME ASM	SEE TABLE	
LEVELING SCREW	STEEL	ZINC PL.
FL.HD. ADJ. SCREW	STEEL	ZINC PL.
RD.HD. MTG. SCREW	STEEL	ZINC PL.
FL.HD. MTG. SCREW	STEEL	ZINC PL.
GROUND SCREW & WIRE	12 AWG CU	INSULATED
CONCRETE COVER	.010 TINPLATE	

3	DIM 2.74 WAS 2.94 DCN#9375 PAC 72.5	3-26-02
2	TITLE WAS 1 GANG SHALLOW CONC BOX. ADD SEE TABLE, NOTE 3, ISO VIEW, BACK VIEW. ADD THD TO SCREWS, #12AWG WIRE, REMOVED 'PIGTAIL'. ALL KO'S NOW FRACTION 1/2" WAS DEC. .500, ADD MM TO .080THK 11/6/01 DCN9086 GK/TS	11/6/01
1	INITIAL RELEASE #8865	TLS 8-9-01
SYM	REVISIONS	APP DATE

THE DESIGN AND DIMENSIONS OF THE PRODUCT SHOWN ON THIS DRAWING ARE SUBJECT TO CHANGE WITHOUT NOTICE

TITLE CONCRETE FLOOR BOX  
1 GANG SHALLOW  
STAMPED STEEL

NOTE:

1. CONCRETE COVER NOT SHOWN IN VIEWS FOR CLARITY.
2. DIM'S. INCHES AND [MM].
3. FLOOR BOX ADJUSTMENT, 1 1/4" BEFORE POUR, 1/2" AFTER POUR.

CAT. NO.	COVERFRAME ASSY.
B2421	BRASS
BA2421	ALUMINUM

TOLERANCES UNLESS OTHERWISE SPECIFIED  
FRACTIONS ±1/64  
DECIMALS ±.005  
ANGLES ±2°

WIRING DEVICE-KELLEMS HUBBELL INCORPORATED BRIDGEPORT, CT			
DR. BY	PAC	APP. BY	TLS
TR. BY		SCALE	HALF
CHK'D BY	TLS	DATE	8-9-01