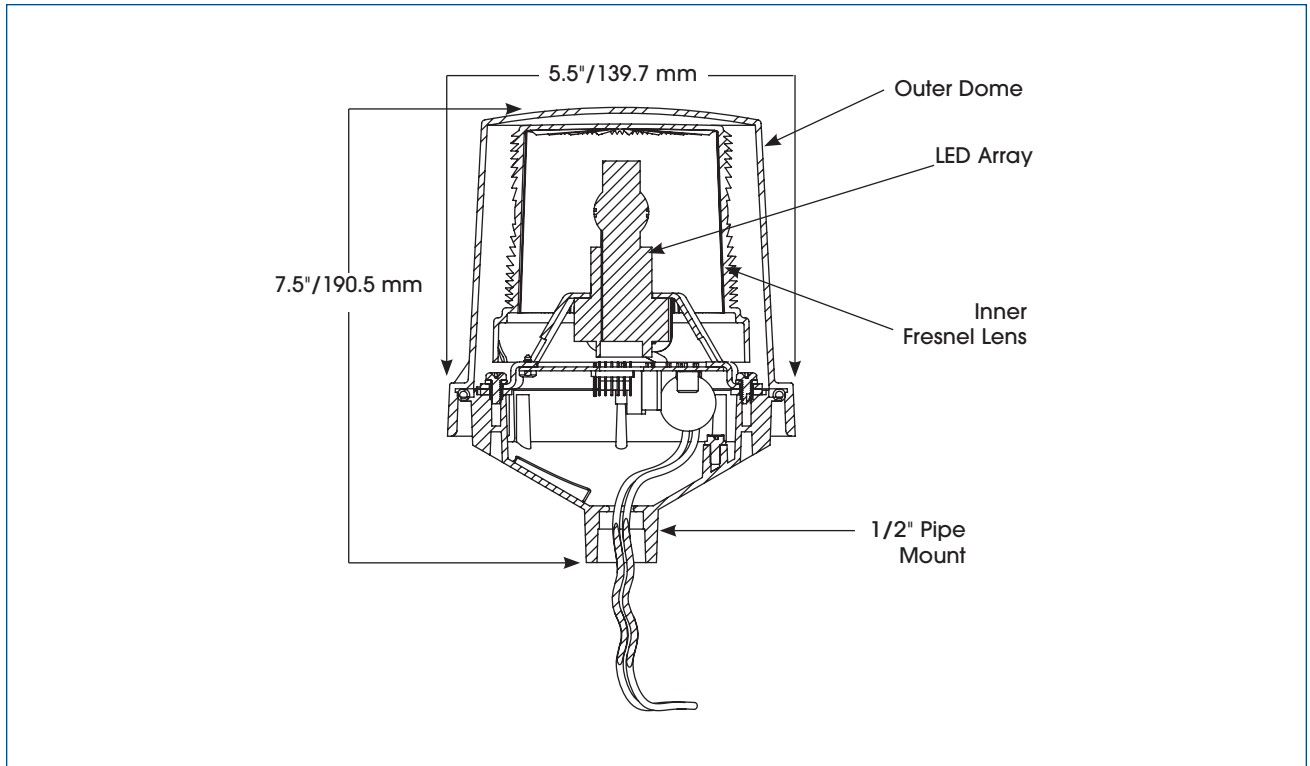


ELECTRARAY® HAZARDOUS LOCATION LED LIGHT (225XL)



SPECIFICATIONS

Lamp Life:	60,000 Hours	60,000 Hours
Light Source:	LED Array	LED Array
Operating Temperature:	-58°F to 150°F	-50°C to 66°C
Net Weight:	3.2 lbs.	1.5 kg
Shipping Weight:	4.0 lbs.	1.8 kg
Height:	7.5"	190.5 mm
Diameter:	5.5"	139.7 mm

HOW TO ORDER

- Specify model, voltage and color
- Optional Accessories:
Hazardous Location Mounting Bracket (LHWB)

REPLACEMENT PARTS

<u>Description</u>	<u>Part Number</u>	<u>Description</u>	<u>Part Number</u>
Exterior Dome, Clear	K8444D219C-04	PC Board Assembly, 24VAC/DC	K2005455A
Interior Lens Kit, Amber ¹	K8550292A-02	PC Board Assembly, 120/240VAC	K2005416A
Interior Lens Kit, Blue ¹	K8550292A-01	LED Lamp, Amber	K14700030A-A
Interior Lens Kit, Clear ¹	K8550292A	LED Lamp, Blue	K14700030A-B
Interior Lens Kit, Green ¹	K8550292A-04	LED Lamp, Clear	K14700030A-W
Interior Lens Kit, Red ¹	K8550292A-03	LED Lamp, Green	K14700030A-G
		LED Lamp, Red	K14700030A-R

¹ Includes 1 dome gasket and 1 surface mount gasket