

Visalert® Strobe Light

Model VALS



STROBE WARNING LIGHT

- Available in 12VDC, 24VDC, 120VAC and 240VAC
- Five lens colors
- 4,000 hour strobe tube
- Surface mount on Federal Signal audible signaling devices or control panel
- Indoor/outdoor use
- Type 3R, IP44 enclosure
- UL Listed and CSA Certified

Federal Signal's Visalert® is a three dimensional, triangular warning light designed to be mated with Federal Signal's Model 350 Vibratone® horn and the Model 50GC SelecTone® speaker/amplifier. The Visalert can also be used as a stand alone device. Visalert is available in five lens colors: Amber, Blue, Clear, Green and Red.

Knockouts on the 50GC, 350 and the 450 audible devices (sold separately) ensure easy installation. The units can be either independently or simultaneously wired with the audible device. The Visalert uses a linear strobe tube and all the circuitry is contained within the lens.

Visalert units are recommended for use in industrial applications and situations where effective visual warning is needed. The Visalert can be surface mounted on the Model 350 and 450 horn or Model 50GC speaker/amplifier.

Federal Signal's Visalert strobe light is an affordable, low-maintenance strobe light in a compact size that is perfect for control panel applications.

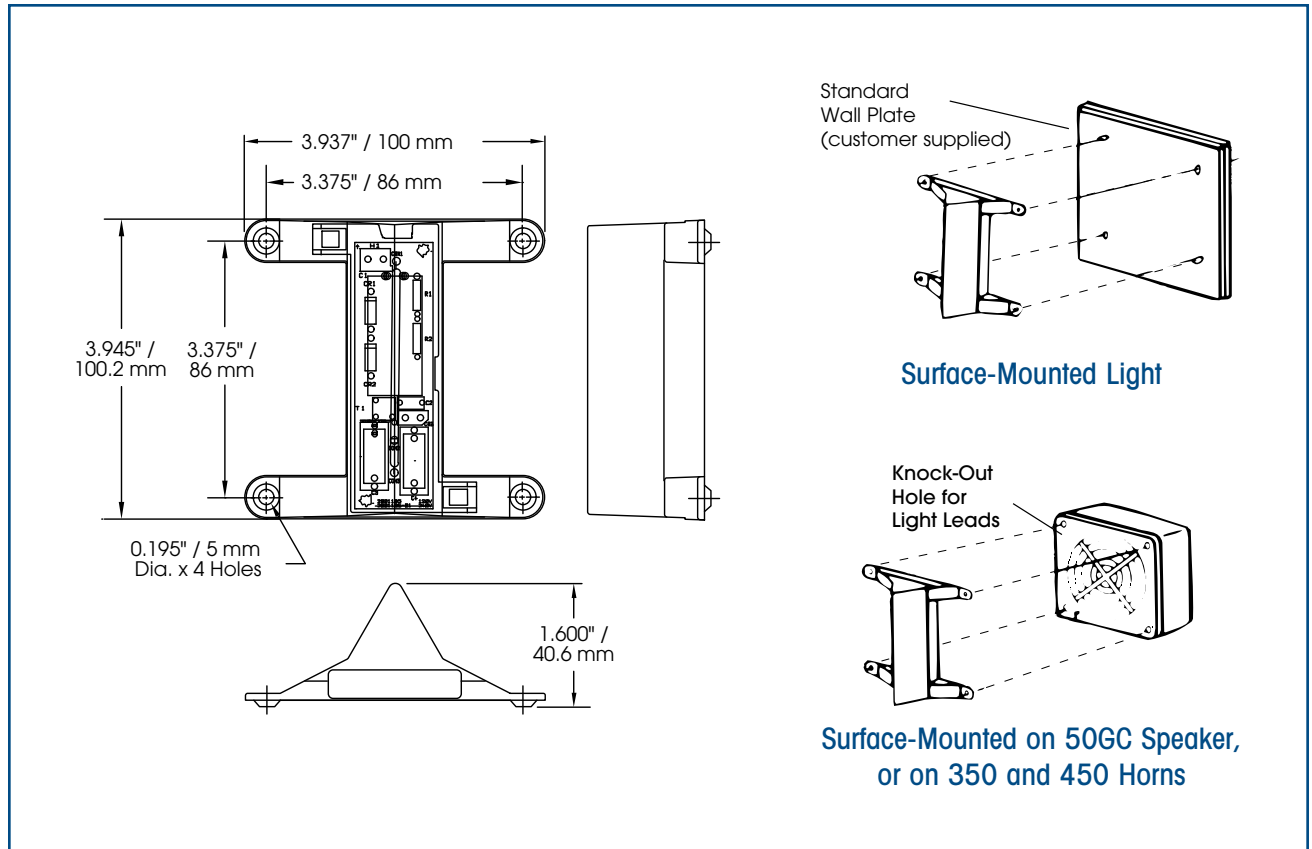
Model	Voltage	Operating Current	Flash Rate/Minute	Candela Peak ¹	Mount
VALS-012_*	12VDC	0.18 amps	80	108,000	Surface
VALS-024_*	24VDC	0.08 amps	80	108,000	Surface
VALS-120_*	120VAC 50/60HZ	0.06 amps	80	108,000	Surface
VALS-240_*	240VAC 50/60HZ	0.03 amps	80	108,000	Surface

* Indicates color: (A) Amber, (B) Blue, (C) Clear, (G) Green or (R) Red

¹ Peak candela is the maximum light intensity generated by a flashing light during its light pulse



VISALERT® STROBE LIGHT (VALS)



SPECIFICATIONS

Lamp Life:	4,000 Hours	4,000 Hours
Light Source:	Strobe tube	Strobe tube
Operating Temperature:	-31°F to 150°F	-35°C to 66°C
Net Weight:	0.1 lbs.	0.057 kg
Shipping Weight:	0.25 lbs.	0.113 kg
Height:	3.95"	100.3 mm
Width:	3.94"	100.0 mm
Depth:	1.6"	40.6 mm

HOW TO ORDER

- Specify model, voltage and color
- Optional Accessories:
Speaker (50GC, page 160)
Horns (350 and 450, page 112)

REPLACEMENT PARTS

<u>Description</u>	<u>Part Number</u>
Lens Kit, Amber ¹	K8435D539A
Lens Kit, Blue ¹	K8435D539A-08
Lens Kit, Clear ¹	K8435D539A-02
Lens Kit, Green ¹	K8435D539A-03
Lens Kit, Red ¹	K8435D539A-07
Strobe Tube	K149128A

¹ Kit Includes the lens and a gasket