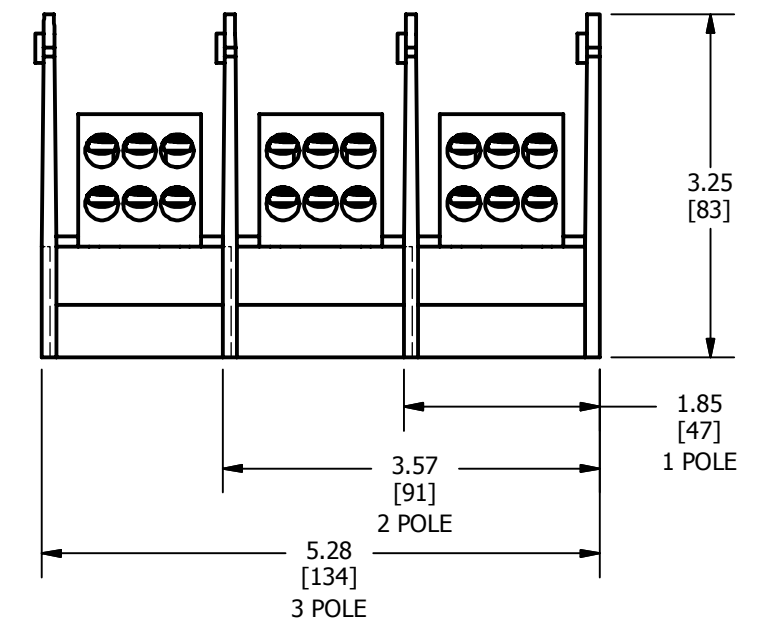
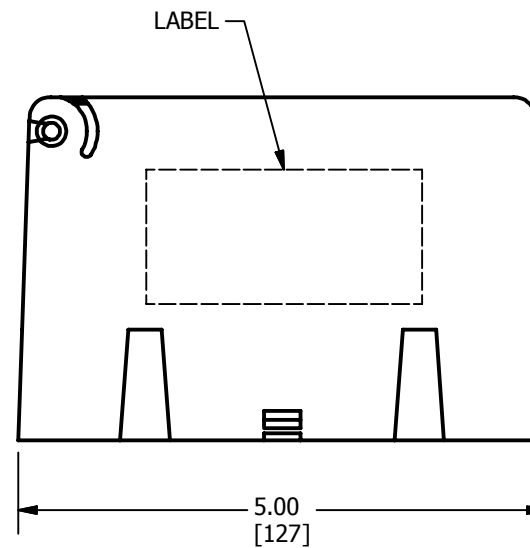
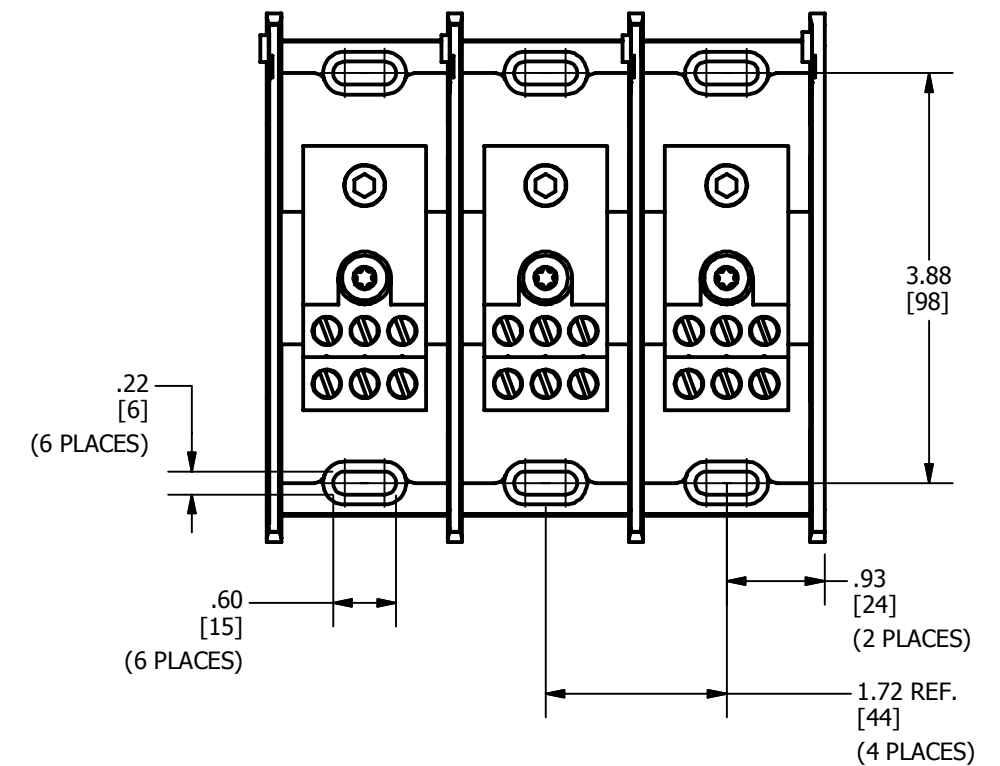


CAT. NO.	WIRE RANGE		OPENINGS PER POLE		AMP RATING (PER POLE)	HEX. SIZE		RECOMMENDED TORQUE (in/lb)		ADDER CAT. NO.
	RUN	TAP	RUN	TAP		RUN	TAP	RUN	TAP	
BDBMHC-11-2/0-1	AWG 14 - 2/0	AWG 14 - 2/0	1	1	175	3/16	3/16	120	120	BDAMHC-11-2/0
BDBMHC-11-2/0-2										
BDBMHC-11-2/0-3										
BDBMHC-11-350-1	AWG 6 - 350 kcmil	AWG 6 - 350 kcmil	1	1	310	5/16	5/16	275	275	BDAMHC-11-350
BDBMHC-11-350-2										
BDBMHC-11-350-3										
BDBMHC-14-500-1	AWG 4 - 500 kcmil	AWG 14 - 2/0	1	4	380	7/16	3/16	500	120	BDAMHC-14-500
BDBMHC-14-500-2										
BDBMHC-14-500-3										
BDBMHC-16-2/0-1	AWG 14 - 2/0	AWG 14 - 2	1	6	175	3/16	SLOT	120	50	BDAMHC-16-2/0
BDBMHC-16-2/0-2										
BDBMHC-16-2/0-3										
BDBMHC-22-2/0-1	AWG 14 - 2/0	AWG 14 - 2/0	2	2	350	3/16	3/16	120	120	BDAMHC-22-2/0
BDBMHC-22-2/0-2										
BDBMHC-22-2/0-3										
BDBMHC-26-2/0-1	AWG 14 - 2/0	AWG 14 - 2	2	6	350	3/16	SLOT	120	50	BDAMHC-26-2/0
BDBMHC-26-2/0-2										
BDBMHC-26-2/0-3										
BDBMHC-162-500-1	AWG 4 - 500 kcmil	AWG 14 - 2	1	6	380	7/16	SLOT	500	50	BDAMHC-162-500
BDBMHC-162-500-2										
BDBMHC-162-500-3										

REV	DATE	DESCRIPTION	ECO	BY	C'H.K.
C	11/01/2013	DRAWING RELEASED	33834	DD	RG



NOTES:

- MATERIAL:**
CONNECTOR BODY : HIGHLY CONDUCTIVE TIN-PLATED ALUMINUM.
INSULATOR : GLASS FILLED POLYCARBONATE.
- UL LISTED TO UL1953, CSA CERTIFIED CLASS 6228, AND CLASS 3211. MEETS SPACING REQUIREMENTS FOR BRANCH AND FEEDER CIRCUITS, UL508A. RoHS COMPLIANT.
- SCCR 100KA WITH PROPER FUSING.
- OPTIONAL SAFETY COVER : POLYCARBONATE, 1 PER POLE
ORDER SEPERATLY CATALOG NO. BDBMHCCOVER.
- DIMENSIONS IN BRACKETS [] ARE IN MILLIMETERS ROUNDED OFF TO THE NEAREST MILLIMETER, UNLESS OTHERWISE SPECIFIED AND ARE FOR REFERENCE ONLY.

TO ORDER BURNDY® PRODUCTS CALL		VERSI-POLE™	
UNITED STATES 1-800-346-4175 (LONDONDERRY, NH)		ITEM NO: N/A	
CANADA: 1-800-361-6975 (QUEBEC) 1-800-387-6487 (ALL OTHER PROVINCES)		CAT. NO: SEE TABLE	
FOR PRODUCT INFO: http://www.burndy.com		DRAWN BY: PARTHIBAN B 2/7/2013	
		CHECKER: T REYNOLDS 4/11/2013	
		DSN APRVL: T REYNOLDS 4/11/2013	
		MFG APRVL: --	
		QA APRVL: C KOWALCZYK 4/12/2013	
		MKT APRVL: P KEENAN 4/16/2013	
		PROD FAM: --	
		DRAWING NO	
		50018989	
		REV	
		C	