



Model LP22LED

StreamLine[®] Low Profile LED Light

Perfect size meets superior performance.



Model LP22LED is a unique, multi-pattern LED light ideal for a variety of industrial applications requiring low profile signaling. The unit can be flush mounted or mounted on a 1/2" NPT pipe with the integrated pipe mount. The enclosure consists of a polycarbonate dome in five colors (Amber, Blue, Clear, Green and Red) and is rated Type 4X.

The LP22LED has four flash patterns (steady light, single flash, double flash and triple flash) selectable via dip-switch.

FEATURES

- Available in 12-24V AC/DC and 90-240V AC
- 1/2" NPT or flush mount
- Four flash patterns
- Five dome colors
- IP65, NEMA Type 4X
- Low profile — only 2.71" tall x 2.99" diameter (69mm x 76mm)
- UL and cUL Listed and CE Compliant

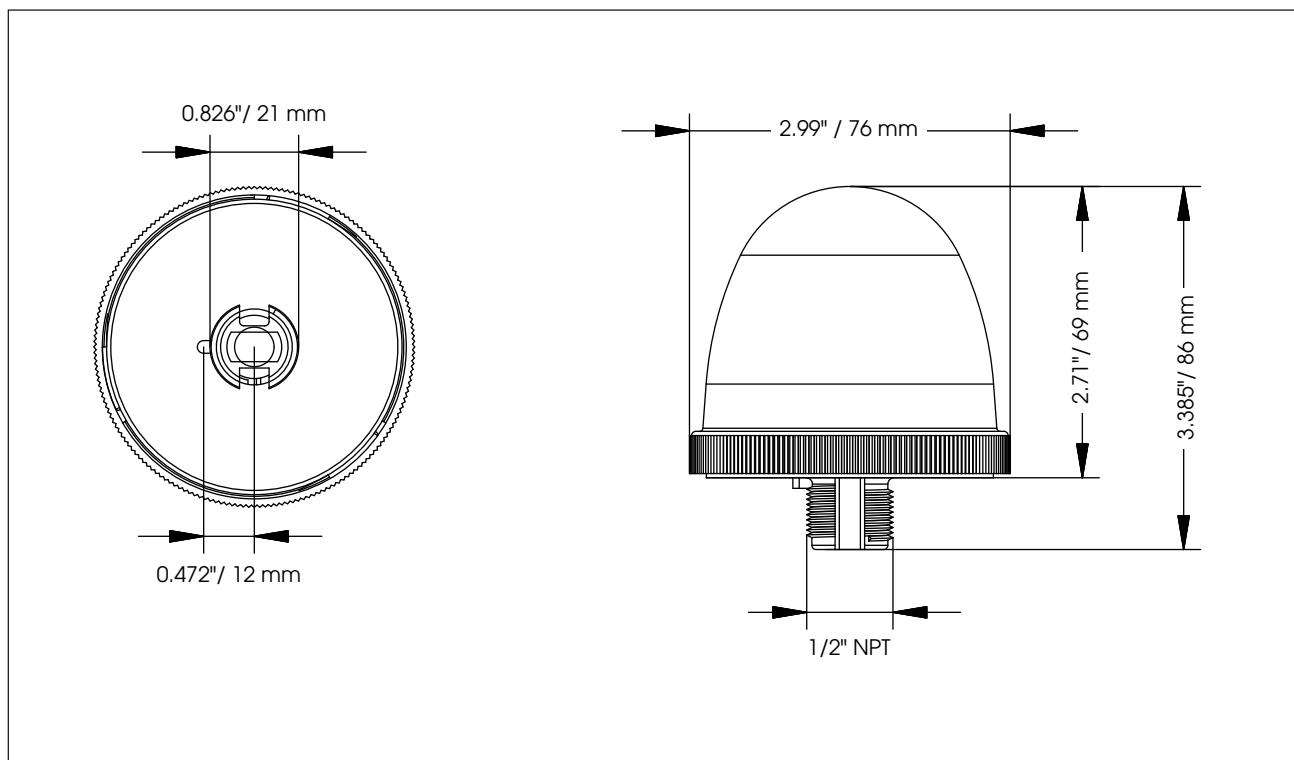
MODEL	VOLTAGE	FLASH RATE/MINUTE			
		STEADY	SINGLE FLASH	DOUBLE FLASH	TRIPLE FLASH
LP22LED-012-024*	12-24VAC/DC	N/A	120 (+/-10)	90 (+/-10)	140 (+/-10)
LP22LED-090-240*	90-240VAC	N/A	120 (+/-10)	90 (+/-10)	140 (+/-10)

* Indicates color: (A) Amber, (B) Blue, (C) Clear, (G) Green or (R) Red

MODEL	MAXIMUM OPERATING CURRENT (mA)			
	12VAC/DC	24VAC/DC	90VAC	240VAC
LP22LED-012-024*	180	180	N/A	N/A
LP22LED-090-240*	N/A	N/A	40	40



StreamLine® Low Profile LED Light (LP22LED)



SPECIFICATIONS

Lamp Life:	100,000 Hours
Light Source:	LED Array
Operating Temperature Range:	-22°F to 122°F -30°C to 50°C
Net Weight:	5.29 oz. 0.15 kg
Height — above surface:	2.71" 69 mm
Diameter:	2.99" 76 mm

HOW TO ORDER

LP22LED - 012-024 A

MODEL

VOLTAGE

012-024 12-24VAC/DC
090-240 90-240VAC

COLOR

A Amber
B Blue
C Clear
G Green
R Red

